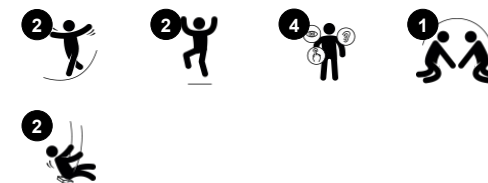


Swing H:2.5m, Std. Seats

KSW90014



Item no. KSW90014-0909	
General Product Information	
Dimensions LxWxH	354x240x274 cm
Age group	3+
Play capacity (users)	2
Colour options	



Of all the play activities, swinging is a favourite: children love it, as it can be done individually and together. This swing set supports the play joy of doing the same thing at the same time, featuring two similar swing seats. The seats are shaped with a slight curve in the middle, to facilitate the secure seat position of a wide age span. A great place to play, for all ages, for

hours and days. Swinging apart from being great fun, trains the children's ABC: agility, balance and coordination as well as their spatial awareness. These motor skills are crucial to being able to judge distances and navigate, traffic safely. Swings allows for standing sitting, lying – and not least jumping off. Apart from the motor skills training, this

trains the arm, leg and core muscles. The jumping off builds bone density – the majority of which is built up during the first years of life.



Swing H:2.5m, Std. Seats

KSW90014



The A-Frame is available with tree post material options: Hot dip galvanized $\varnothing 70\text{mm}$ steel, impregnated pine wood 95x95mm with hot dip galvanized steel footings or $\varnothing 120\text{mm}$ TexMade™ posts.



The A-Frame is designed with hot dip galvanized $\varnothing 100\text{mm}$ crossbar with large steel end plates for strong fixation to the posts. The crossbeam is prepared for all KOMPAN hanger options.



The swing hangers are made of high quality UV-stabilised nylon (PA6) housing with integrated lifetime sealed ball bearings. The height adjustable chains are fixed by a stainless steel hook with theft proof snake-eye bolt in a turn able anti twist housing. All seats with two chain fixation are available with either standard or anti-wrap suspension.



The standard seats of KOMPAN swings is engineered for maximum safety and durability. The two component seat with a PP inner core and outside rubber is produced in one operation. The seats are available with swing chains of either hot dip galvanised steel or stainless steel for all swings heights.



KOMPAN designed the bird's nest seats to be light in weight and in compliance with global safety standards. The soft, shock absorbent bumpers with non-slip surface makes the swing seat extremely user friendly. Choose between a rope version with reinforced PA rope or a moulded PE version. Both equipped with soft rubber bumpers.



KOMPAN GreenLine versions are designed with ultimate environmentally friendly materials with lowest possible CO2e emission factor. TexMade post, EcoCore™ panels of 100% post consumer recycled ocean waste and molded PP decks.

Item no. KSW90014-0909

Installation Information

Max. fall height	145 cm
Safety surfacing area	23.3 m ²
Number of installers	2
Total installation time	4.5
Excavation volume	1.30 m ³
Concrete volume	0.00 m ³
Footing depth (standard)	85 cm
Shipment weight	140 kg
Anchoring options	In-ground <input checked="" type="checkbox"/>

Warranty Information

Hot dip galvanised steel	Lifetime
Swing seat	10 years
Swing hangers	5 years
Chains	10 years
Spare parts guaranteed	10 years

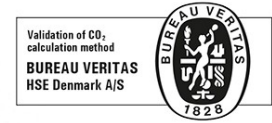




Cradle to Gate A1-A3	Total CO ₂ emission	CO ₂ e/kg	Recycled materials
	kg CO ₂ e	kg CO ₂ e/kg	%
KSW90014-0909	371.60	2.72	47.70
KSW90014-0950	253.80	1.10	87.50

The overall framework applied for these factors is the Environmental Product Declaration (EPD), which quantifies "environmental information on the life cycle of a product and enable comparisons between products fulfilling the same function" (ISO, 2006). This follows the structure and applies a Life-Cycle Assessment approach to the entire Product stage from raw material through manufacturing (A1-A3))

Kompan A/S
 C.F. Tietgens Boulevard 32C
 DK-5220 Odense SØ
 Denmark



Validation of CO₂ calculation of: Freestanding play equipment



Data version no. 2021-09-27

The CO₂ calculation and data are in compliance with the principles of a carbon footprint impact according to the GHG protocol (Greenhouse Gas Protocol), Scope 3, cradle to gate related to all individual components in the product category: "Freestanding play equipment" represented by item no.: KSW92011-0910.

(Scope 3 emissions include emission sources in the upstream and downstream value chain).

Date: 15. October 2021 | Valid until: 15. October 2023

Validated by:

Bente Hviid, Senior Consultant

Peter Bendtsen, Senior Consultant

Validation based on report: Validation of CO₂ calculation of 8 categories of Kompan product line, version 1.0, prepared by: Bureau Veritas HSE, Denmark: Bente Hviid and Peter Bendtsen.

Publication date: 15. October 2021

By Bureau Veritas HSE
 www.bureauveritas.dk
 +45 7731 1000

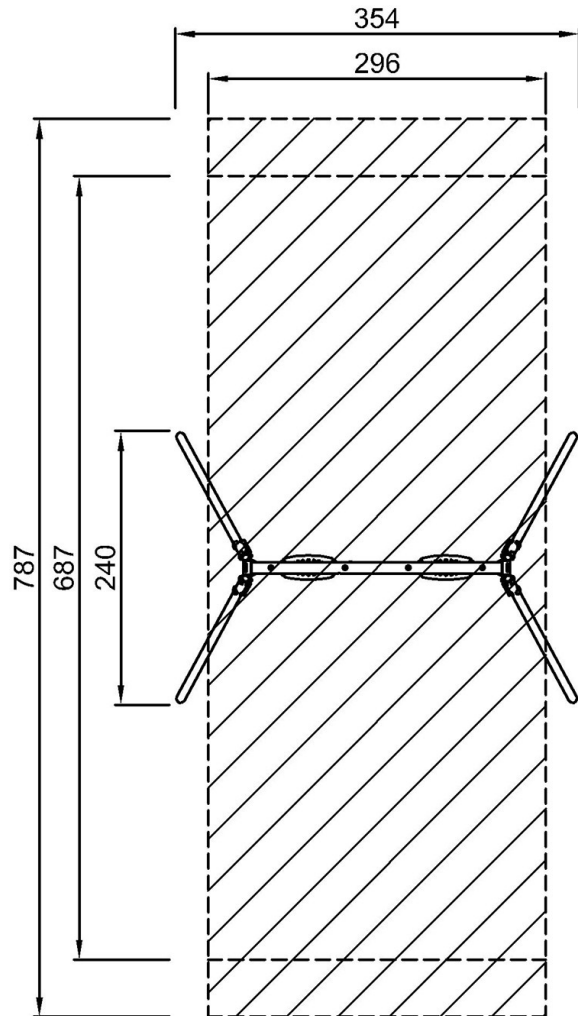


Swing H:2.5m, Std. Seats

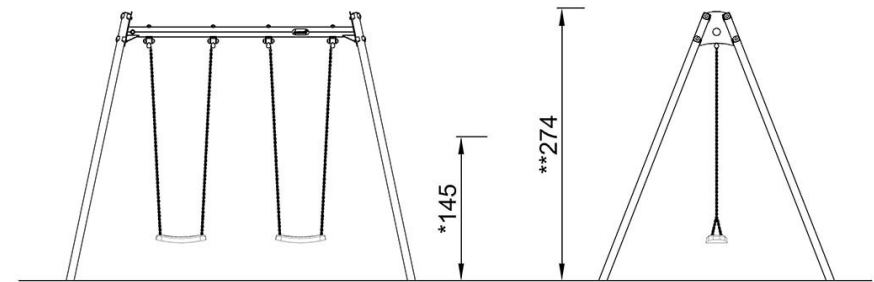
KSW90014

* Max fall height | ** Total height | *** Safety surfacing area

* Max fall height | ** Total height



KSW90014
*145cm
**274cm
***23.3m²



KSW90014

[Click to see TOP VIEW](#)

[Click to see SIDE VIEW](#)