

KSW92008

Portal swing height 2,5 meters with Birds Nest Rope Seat. Anthracite legs & connector. Galvanized crossbeam



KOMPAN swings can be configured to adapt individual needs & demands. All A-Frame swings are available in 2,0m and 2,5m height with posts of impregnated pine wood, hardwood or hot dip galvanized steel. As seats we offer standard swing seat, cradle seat, toddler seat or bird nests with a diameter of ø100cm or 120cm. Further the seats are available with either hot dip galvanized chains or stainless steel chains and if preferred with antiwrap suspensions. The modular swing system also enable multibay configurations with 2,3,4 or more sections.

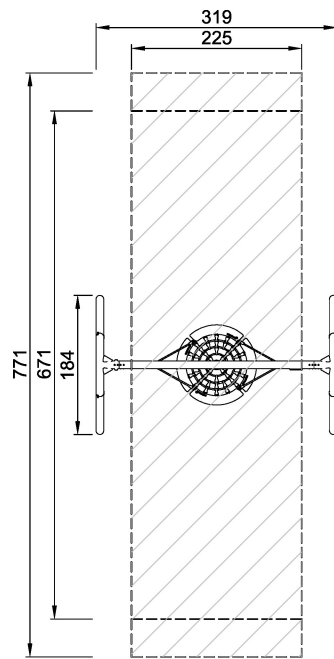
Product Line	Freestanding Play Equipment
Category	Swings
Age group	4 - 10
Max. fall height (CM)	143
Total height (CM)	255
Safety Zone	17.5 m ²



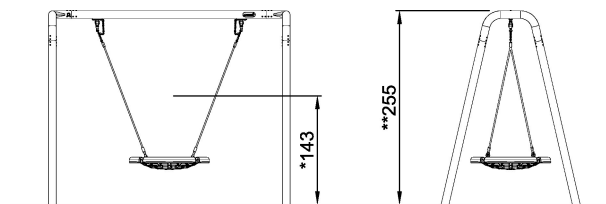
IN-
GROU.



ASTM



KSW92008
*143cm
**255cm
***17.5m²
1:100



KSW92008
1:100

* = Highest designated play surface.
** = Total height of product.

Weight/heaviest parts	kg.	Installation (Manpower)	Persons
Concrete required	NaN m ³	Installation (Hours)	Hours
Foundation amount/footing	NaN	Excavation	NaN m ³