

NRO810 Wobble bridge

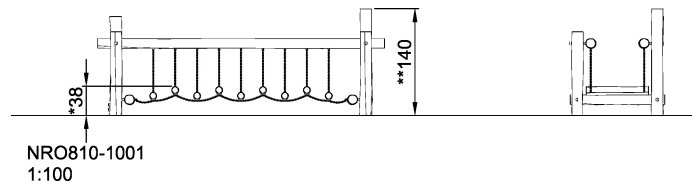
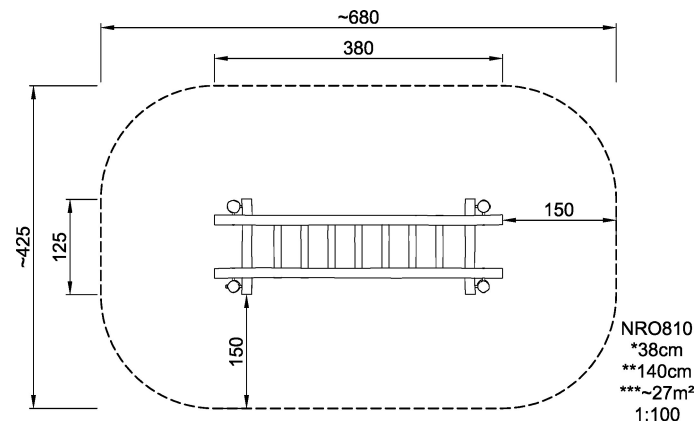


Product is available as FSC® Certified (FSC® C004450) robinia wood on request.

Product Line	Organic Robinia
Category	Traditional play, Sand and water play
Age group	6 - 12
Max. fall height (CM)	38
Total height (CM)	140
Safety Zone	27 m2



IN-
GROU.



* = Highest designated play surface.
** = Total height of product.

Weight/heaviest parts	kg.	Installation (Manpower)	Persons
Concrete required	NaN m ³	Installation (Hours)	Hours
Foundation amount/footing	NaN	Excavation	NaN m ³