

NRO532

Oasis Gravel Pit

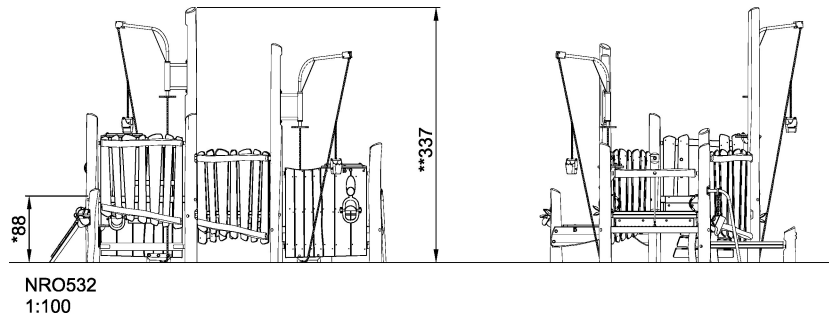
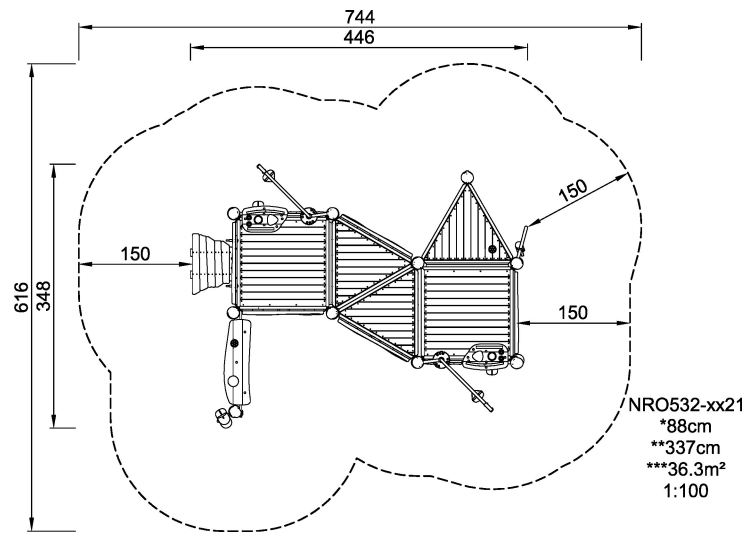


The Gravel Pit is a nice big open structure with four platforms and two sand cranes with sand tables, which allows many children to play at the same time. Let sand down the hole in the tables through the pipe to make the in-built sand mill spin. There is access by a low platform with a sand scoop to the sand cranes. From here even very small children can enjoy imaginative and explorative play for very long time. Hours of role play and explorative play is great for children's language development and cognitive-creative skills as well as their fine motor skills. Product is available as FSC® Certified (FSC® C004450) robinia wood on request.

Product Line	Organic Robinia
Category	Traditional play, Sand and water play
Age group	2 - 10
Max. fall height (CM)	88
Total height (CM)	337
Safety Zone	36.3 m2



**IN-
GROU.**



* = Highest designated play surface.
** = Total height of product.

Weight/heaviest parts	kg.	Installation (Manpower)	Persons
Concrete required	NaN m ³	Installation (Hours)	Hours
Foundation amount/footing	NaN	Excavation	NaN m ³