

NRO818 Climbing structure

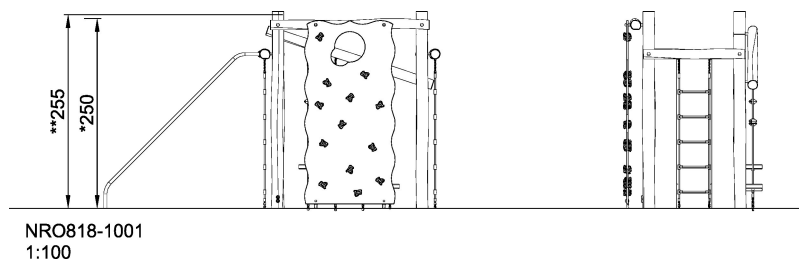
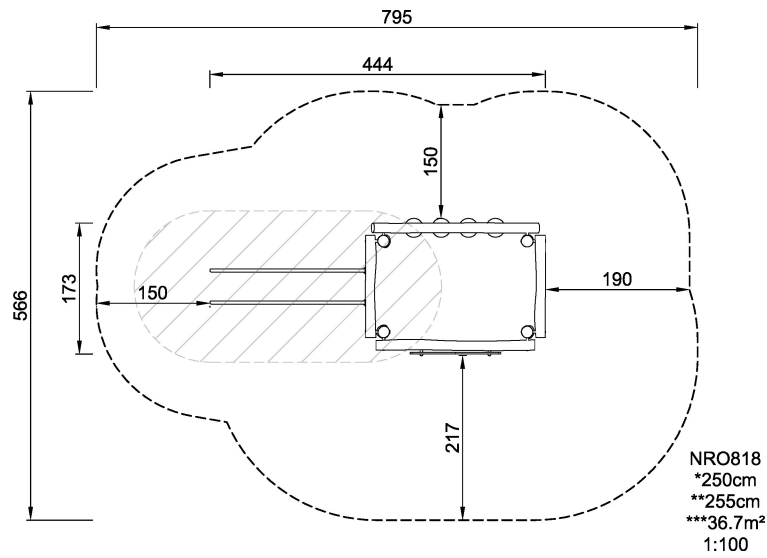


Children love a challenge that involves balancing. Practicing balancing skills improves children's self-confidence and spatial-awareness, it stimulates the sense of balance, challenges concentration skills and basic motor skills, and appeals to a broad age group. Product is available as FSC® Certified (FSC® C004450) robinia wood on request.

Product Line	Organic Robinia
Category	Traditional play, Sand and water play
Age group	6 - 12
Max. fall height (CM)	250
Total height (CM)	255
Safety Zone	36.5 m ²



IN-GROUP.



* = Highest designated play surface.
** = Total height of product.

Weight/heaviest parts	kg.	Installation (Manpower)	Persons
Concrete required	NaN m ³	Installation (Hours)	Hours
Foundation amount/footing	NaN	Excavation	NaN m ³