

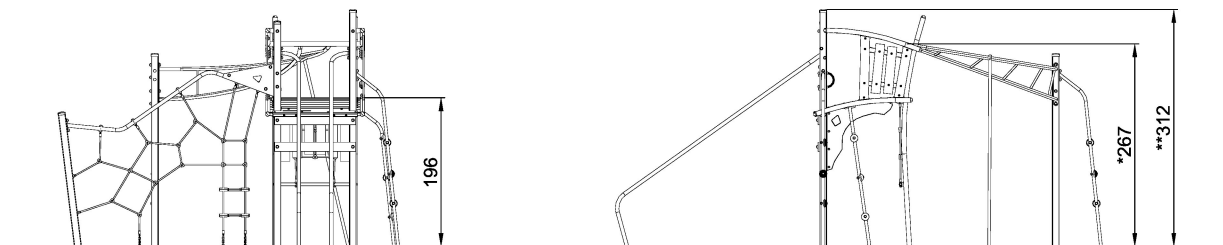
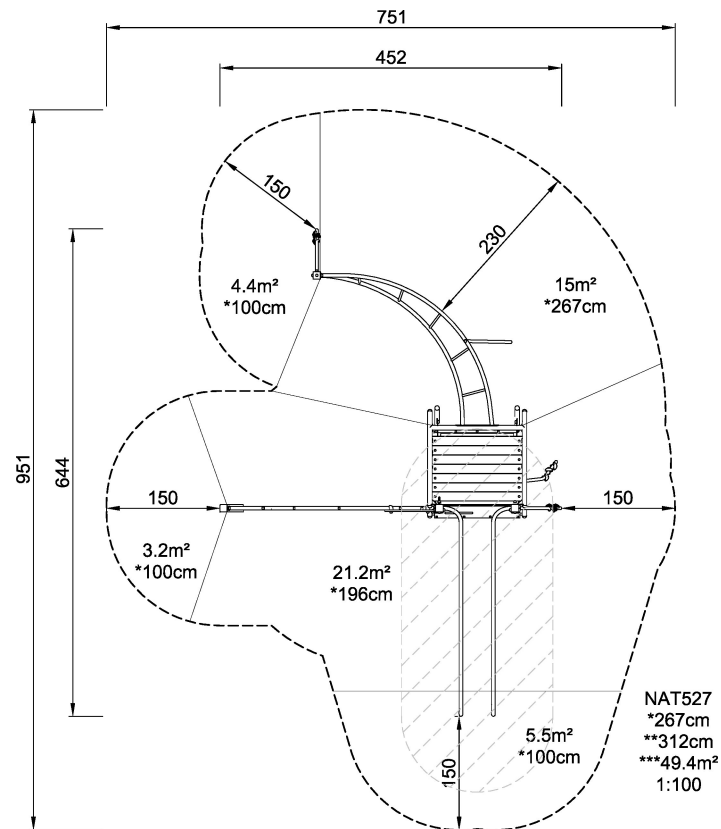


This unit combines challenging and varied climbing and sliding for a bigger group of older children, offering training of their agility and coordination.

Product Line	Traditional Play
Category	Climbing structures & nets
Age group	6 - 12
Max. fall height (CM)	267
Total height (CM)	312
Safety Zone	49.4 m ²



**SUR-
FACE**



NAT527
1:100

* = Highest designated play surface.
** = Total height of product.

Weight/heaviest parts	kg.	Installation (Manpower)	Persons
Concrete required	NaN m3	Installation (Hours)	Hours
Foundation amount/footing	NaN	Excavation	NaN m3