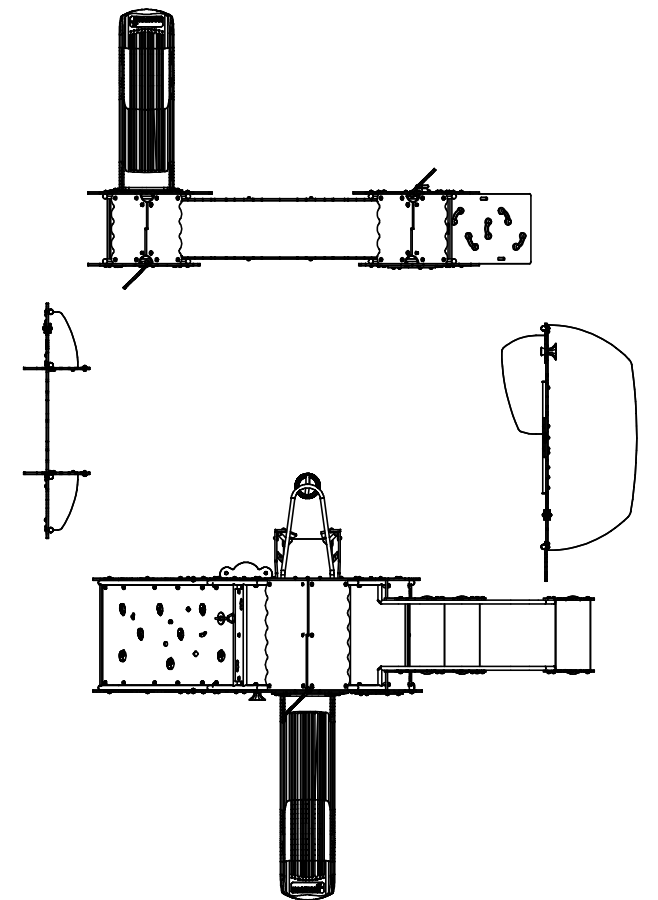
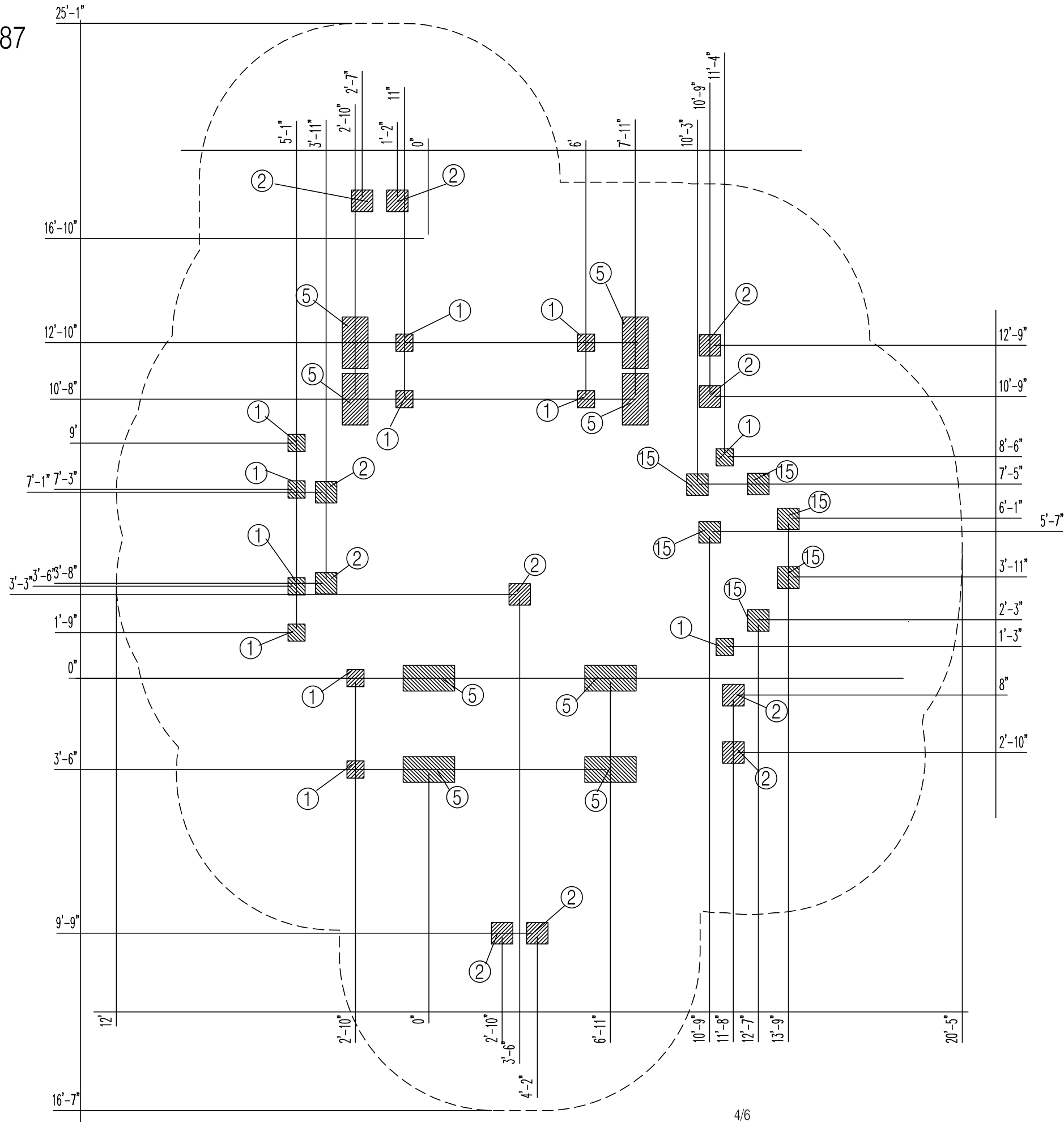
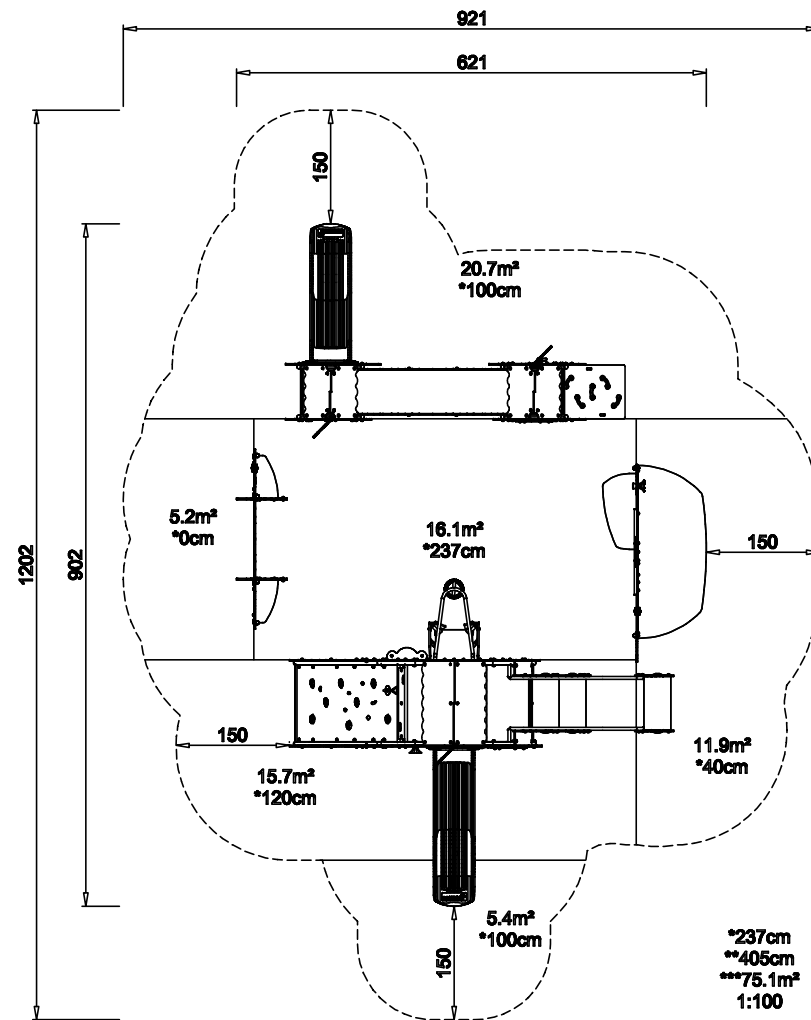
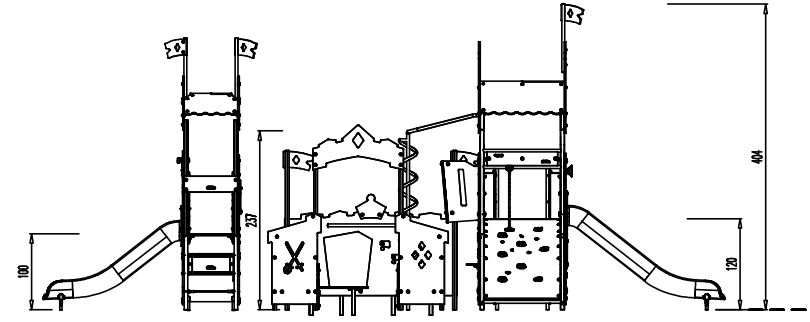
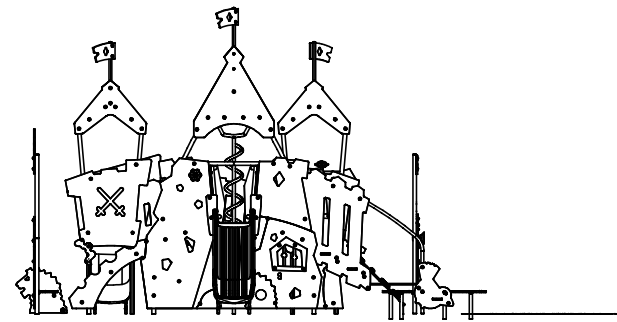
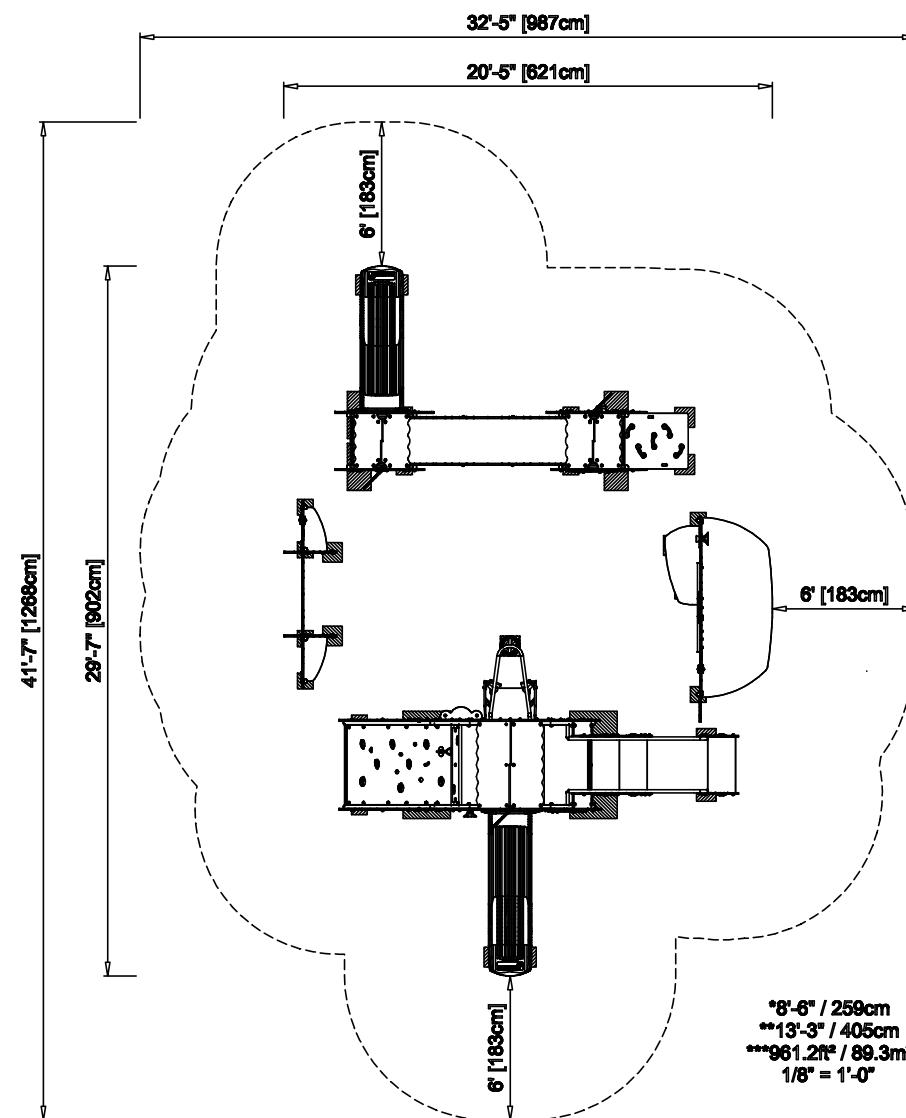
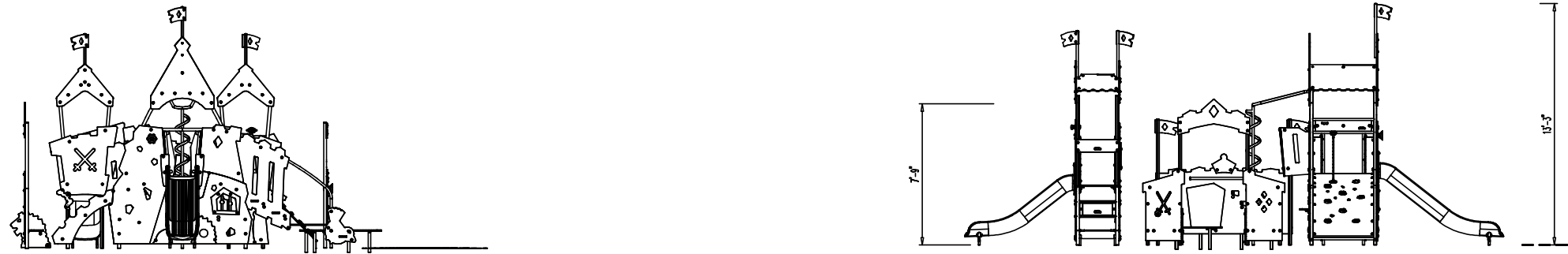


KOMPAN!
Playful Living
MSC642200

2018-08-06 AneHab
1:50
Copyright © KOMPAN A/S 2018

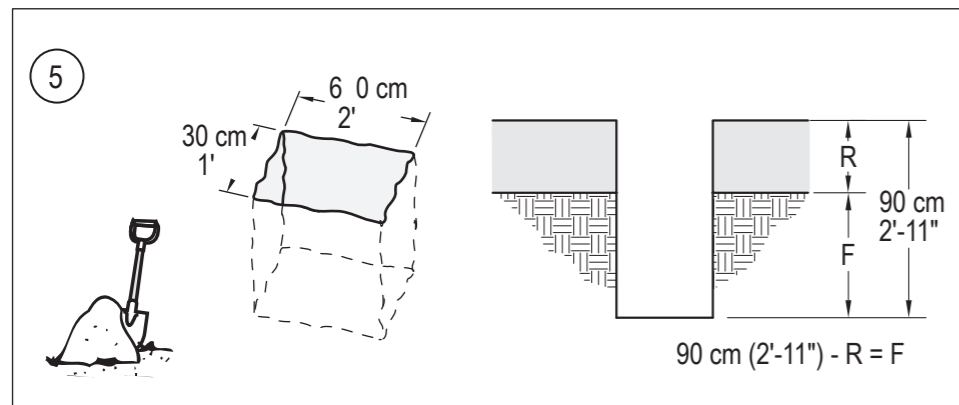
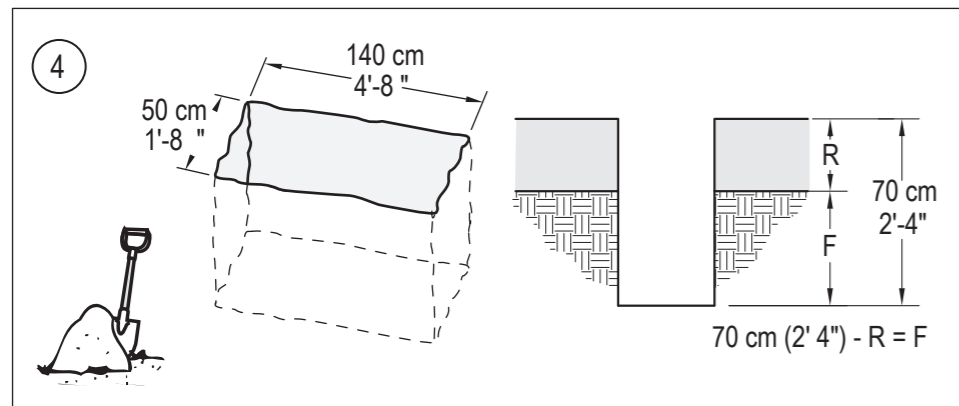
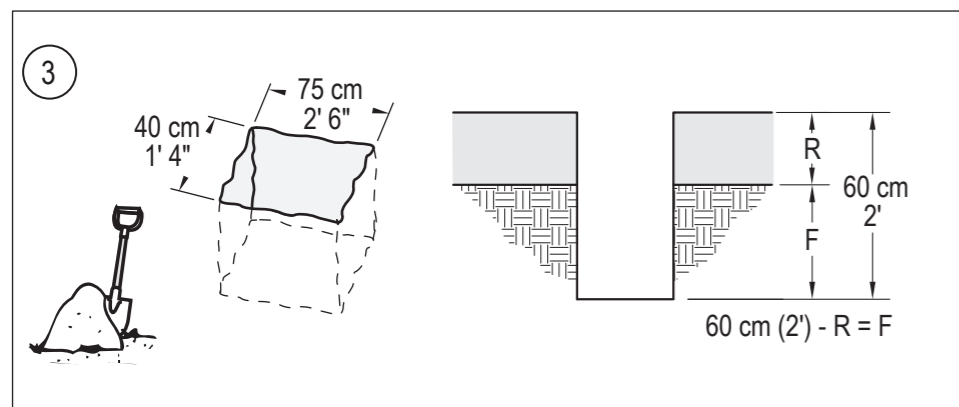
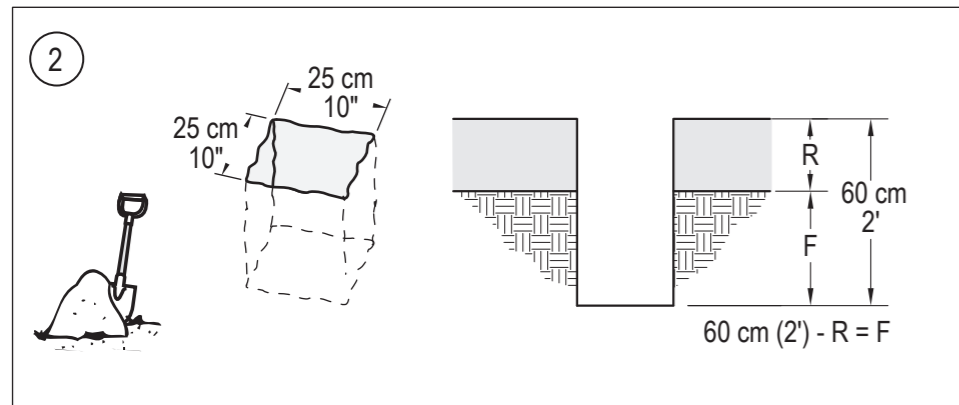
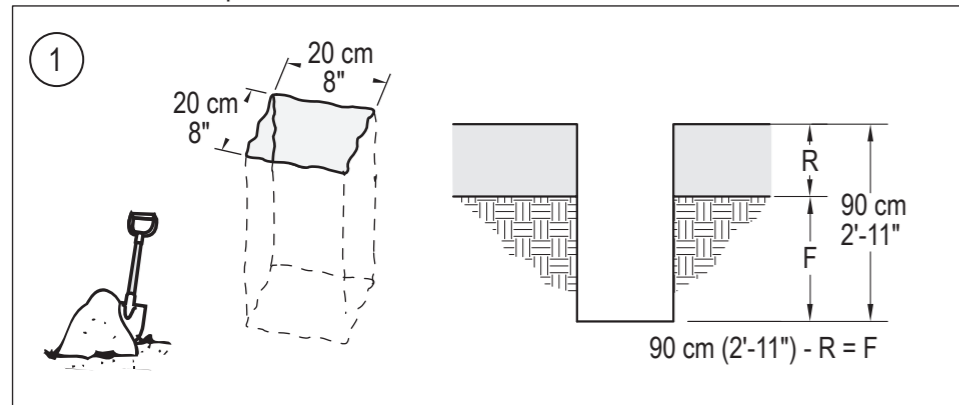




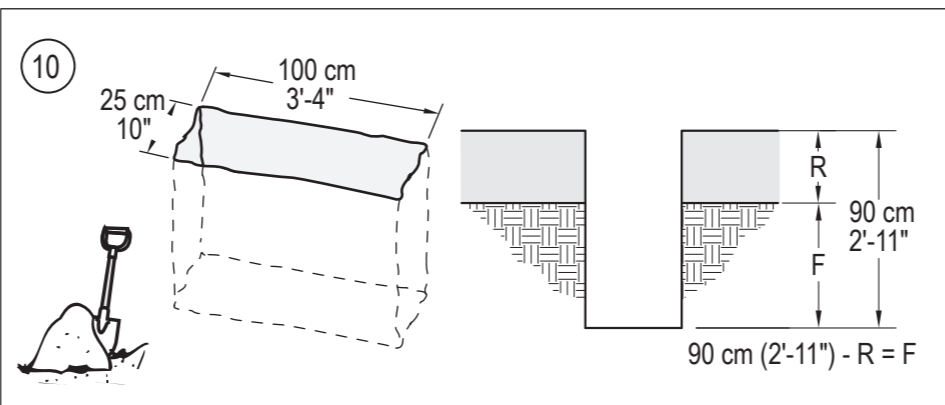
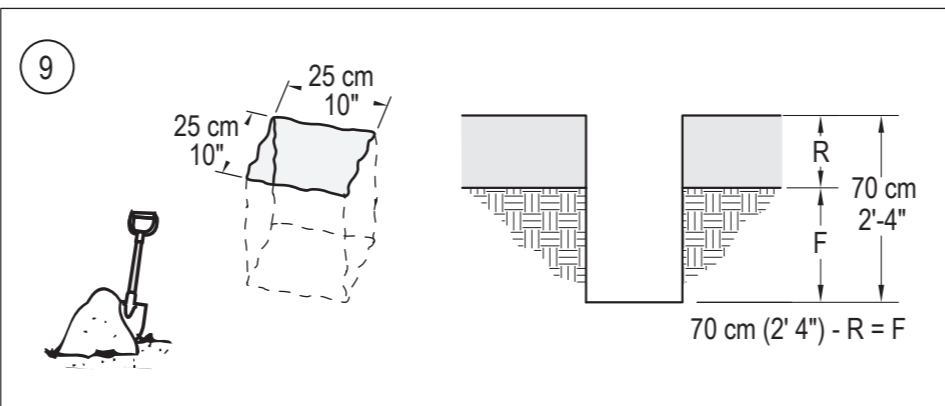
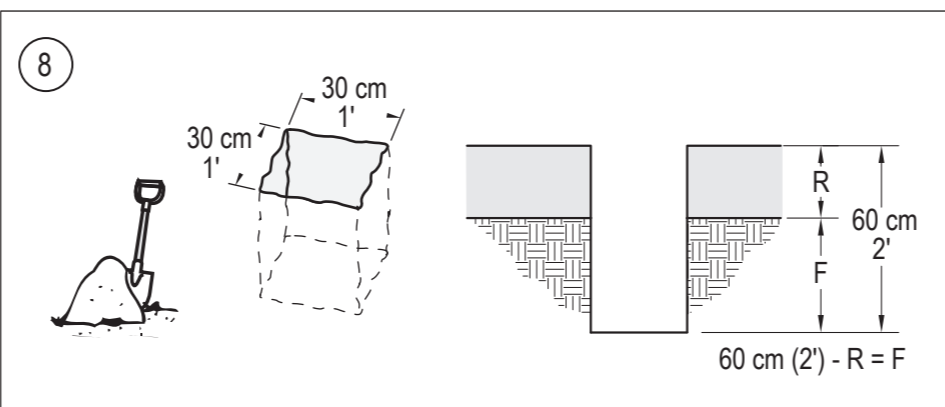
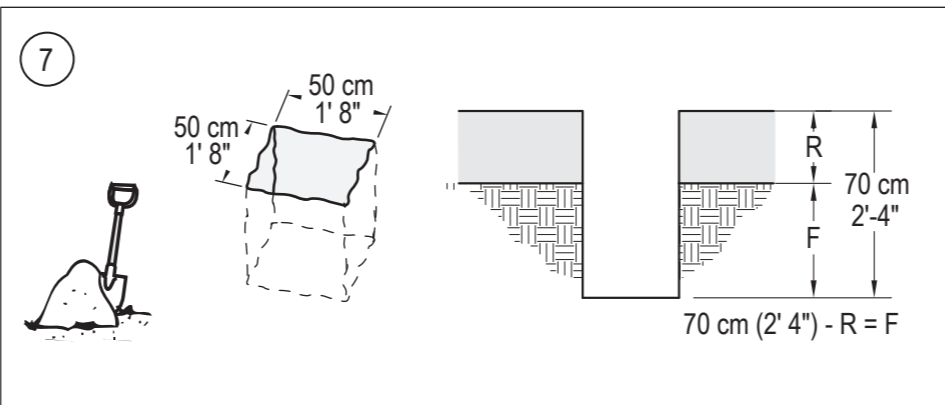
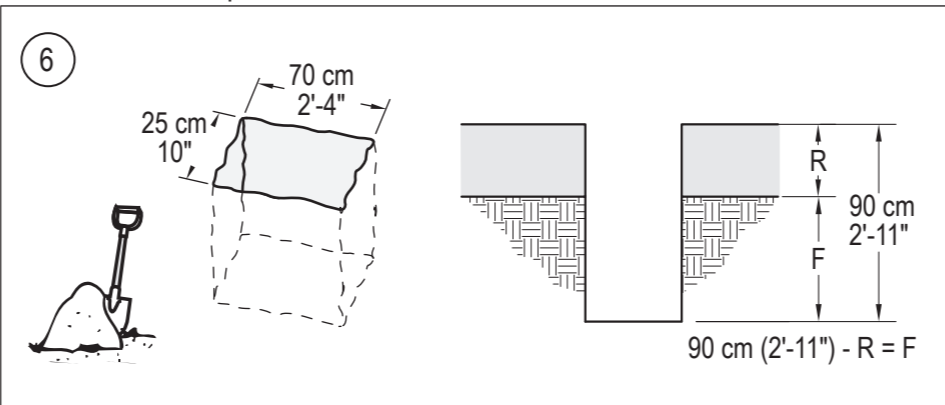


*8'-6" / 258cm
**13'-3" / 405cm
***961.27m² / 89.3m²
1/8" = 1'-0"

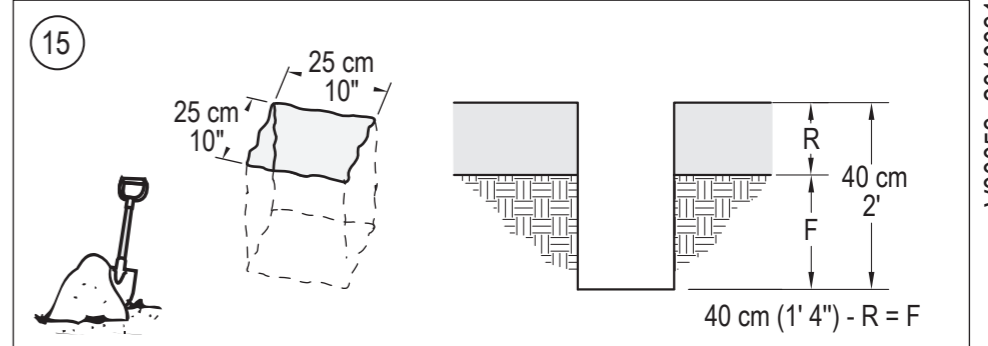
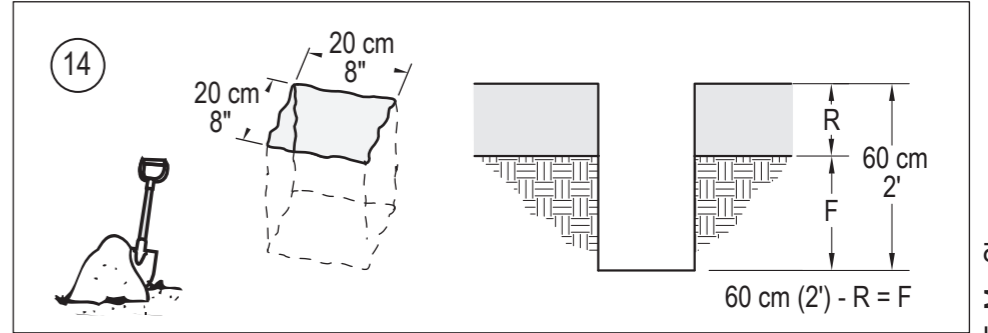
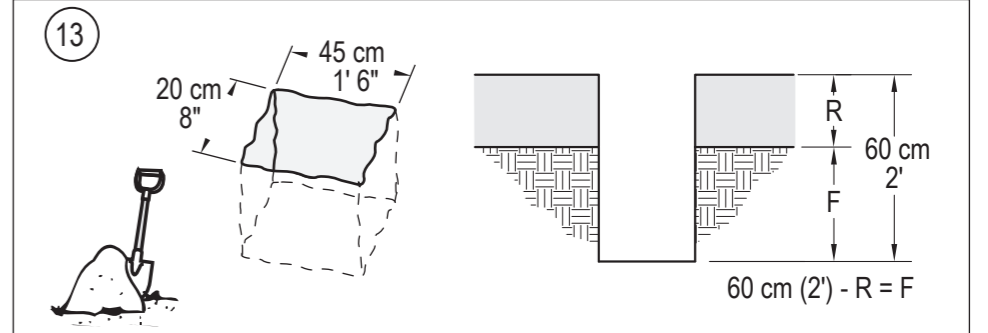
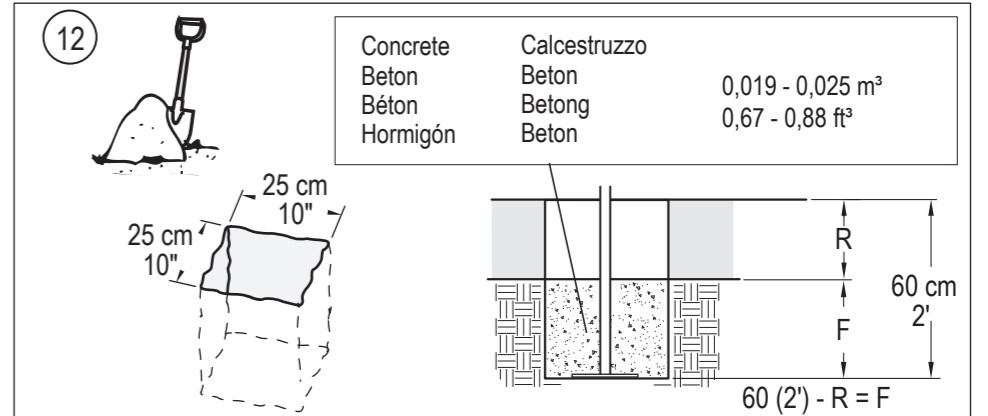
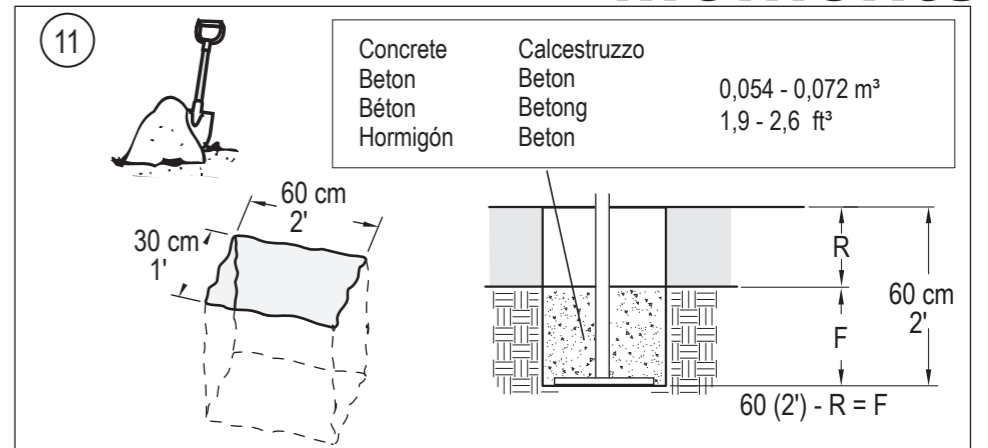
Dimension and depth of holes:



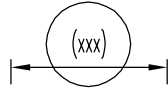
Dimension and depth of holes:



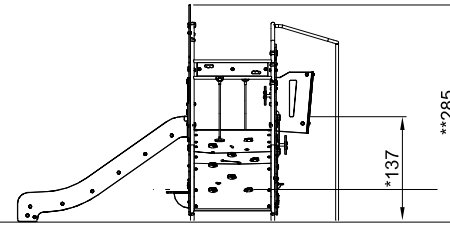
Dimension and depth of holes:



Surface installation by means of expansion bolts
 Oberflächenmontage mit Spreizhülsenankern
 Fixation en surface à l'aide de boulons à gaine d'expansion
 Montaja sobre soleras de hormigón mediante pernos de expansion
 Montaggio in superficie con tasselli speciali
 Oppervlaktmontage met expansionsbouten
 Ytmontering med hjälp av expansionsbultar
 Overflademontering med ekspansjonsbolte
 Установка на поверхность анкерными болтами
 Pinta-asennus tapahtuu levityspulteilla



Free height of fall
 Freie Fallhöhe
 Hauteur de chute libre
 Altura de caída libre
 Altezza di caduta libera
 Vrije valhoogte
 Fri fallhöjd
 Fri faldhøjde
 Высота свободного падения
 Vapaa putoamiskorkeus



Please note: The safety zone shown on this drawing is in accordance with EN 1176. There may be some locations where a larger safety zone is required. If in doubt, please contact your play consultant.

Achtung: Der angegebene Sicherheitsabstand entspricht EN 1176. Bestimmte Länder schreiben größere Sicherheitsabstände vor. Bitte wenden Sie sich in Zweifelsfällen an Ihren Berater.

Attention : l'espace d'évolution montré est conforme à EN 1176. Dans certains pays, un espace d'évolution plus grand peut être exigé. Prière de contacter notre conseiller en cas de doute.

Observe: La zona de seguridad demostrada en este dibujo cumple con EN 1176. En algunos sitios puede ser necesaria una zona de seguridad más grande. En caso de tener alguna duda, por favor póngase en contacto con nuestro consultor.

Attenzione: la distanza di sicurezza specificata è conforme ai requisiti EN 1176. In alcuni paesi, le norme locali possono richiedere distanze di sicurezza maggiori. In caso di dubbi, contattare il nostro consulente.

N.B.: het getoonde veiligheidsgebied is in overeenstemming met EN 1176. In sommige landen kan een groter veiligheidsgebied vereist zijn. In geval van twijfel onze adviseur raadplegen.

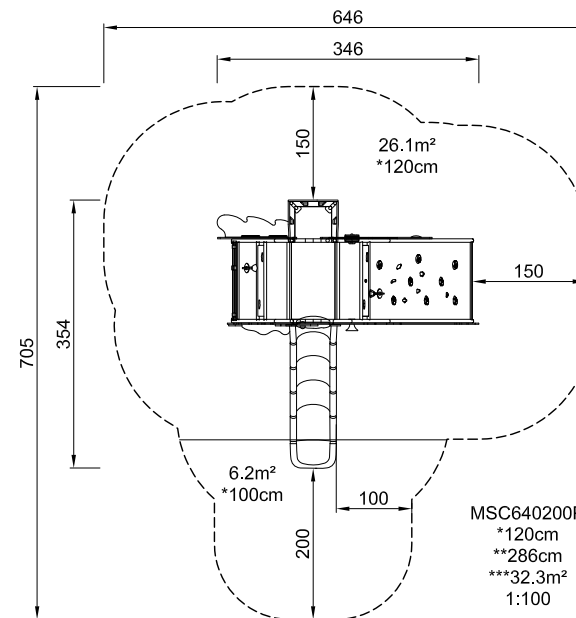
Obs: Det markerede sikkerhedsområdet følger EN 1176. I vissa länder kan det finnas krav på större säkerhetsområde. Kontakta vänligen vår konsulent om du är osäker.

Obs.: Det viste sikkerhedsareal er i overensstemmelse med EN 1176. I nogle lande kan der være krav om større sikkerhedsareal. Kontakt venligst vores konsulent ved tvivlsspørgsmål.

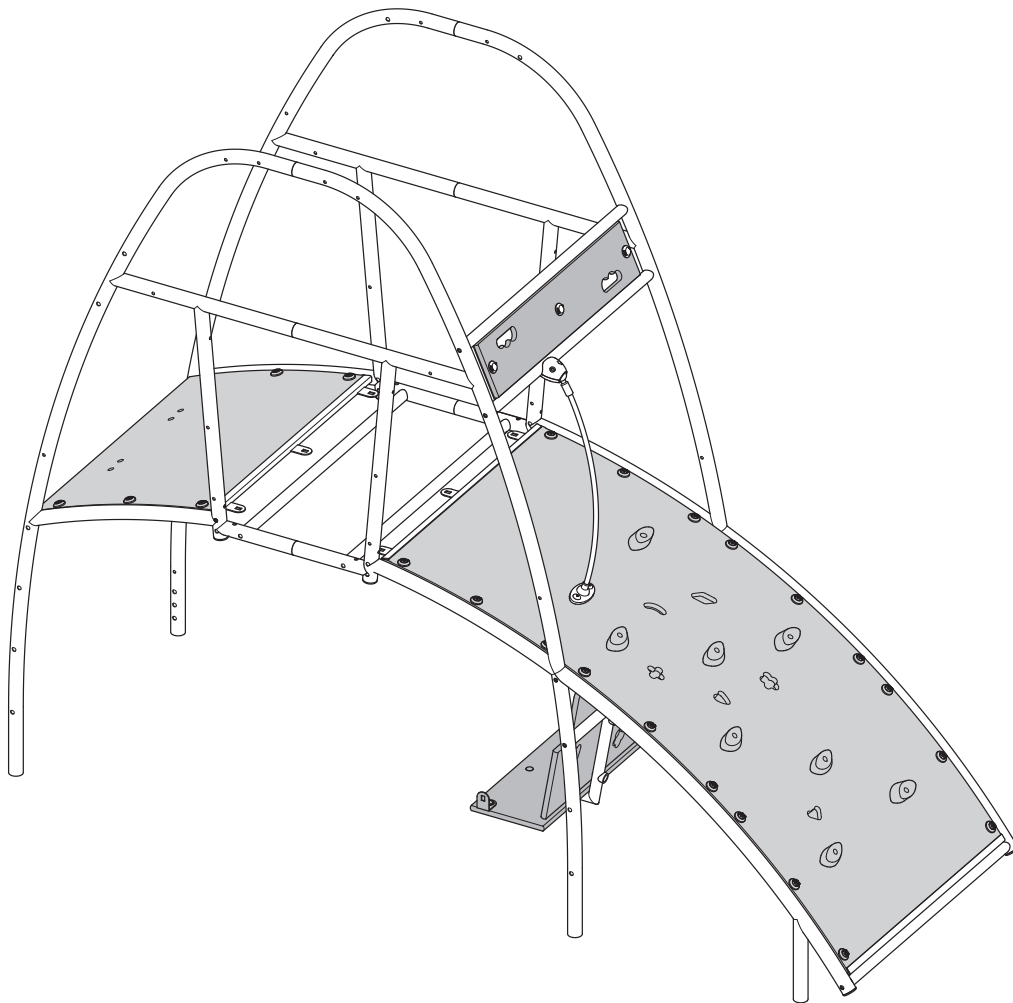
Внимание: Зона безопасности указана в соответствии с EN 1176. Возможны случаи, когда требуется увеличение зоны безопасности. В затруднительных случаях обращайтесь к Вашему консультанту.

Huom: Tämän piirustuksen turva-alue on EN1176-normin mukainen. Joissain sijoituspaikoissa saatetaan edellyttää suurempaa turva-aluetta. Jos olet epävarma, otathan yhteyttä KOMPANIin.

Safety zone in accordance with EN 1176
 Sicherheitsabstand gemäß EN 1176
 Espace d'évolution selon EN 1176
 Zona de seguridad según EN 1176
 Distanze di sicurezza in conformità con lo standard EN 1176
 Veiligheidsgebied in overeenstemming met EN 1176
 Säkerhetsområde enl EN 1176
 Sikkerhedsareal iht. EN 1176
 Зона безопасности в соответствии с EN 1176
 EN1176-normin mukainen turva-alue

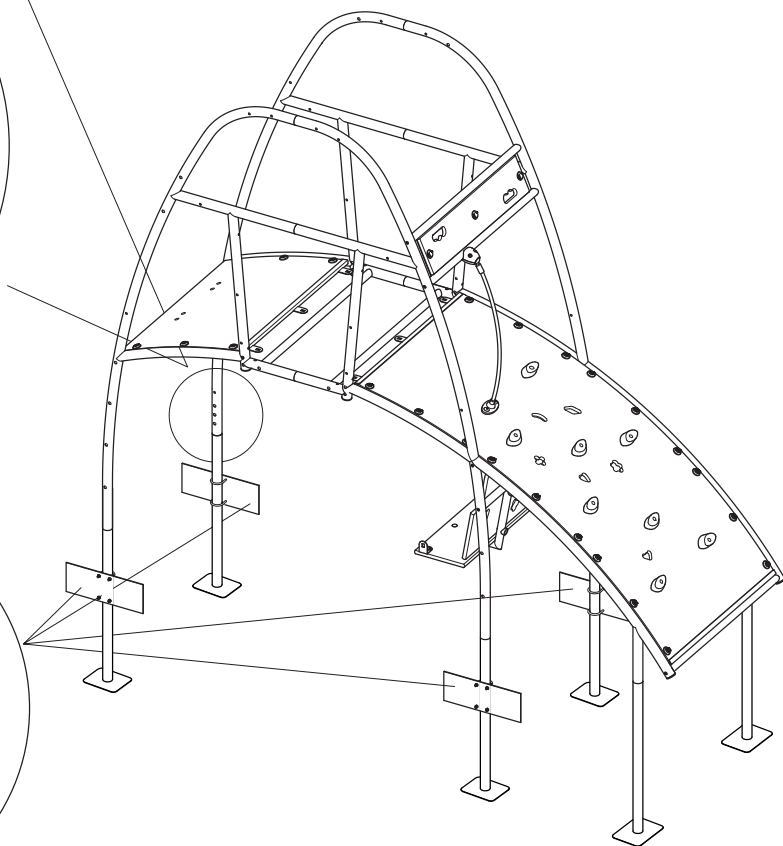
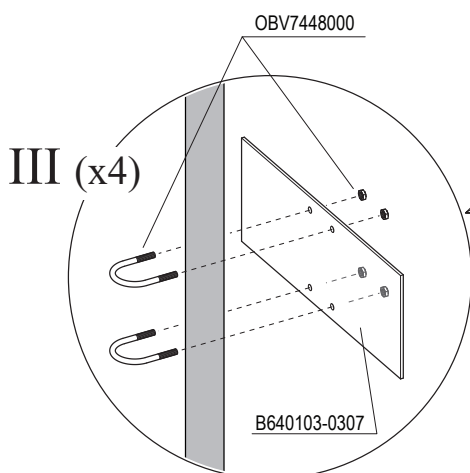
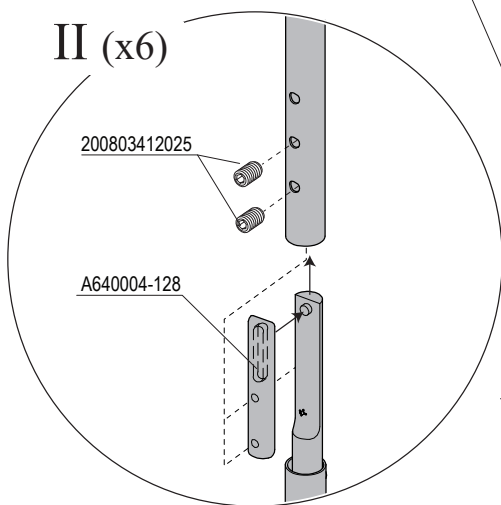
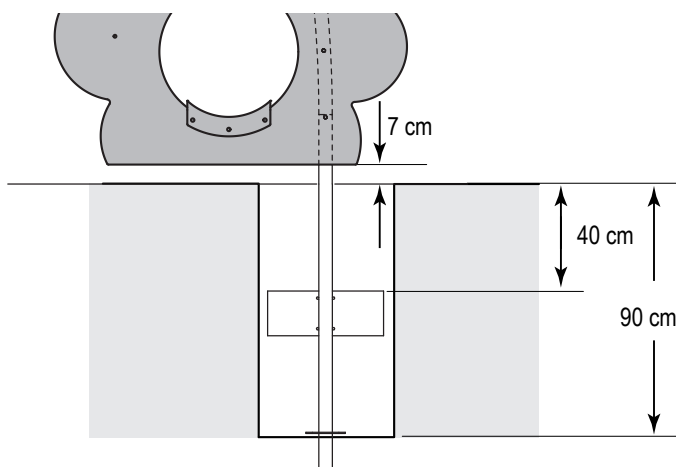
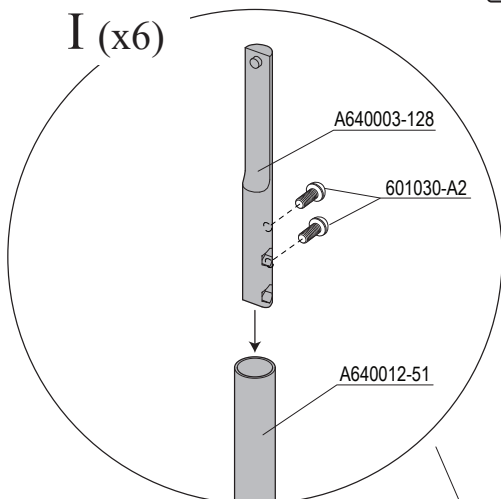
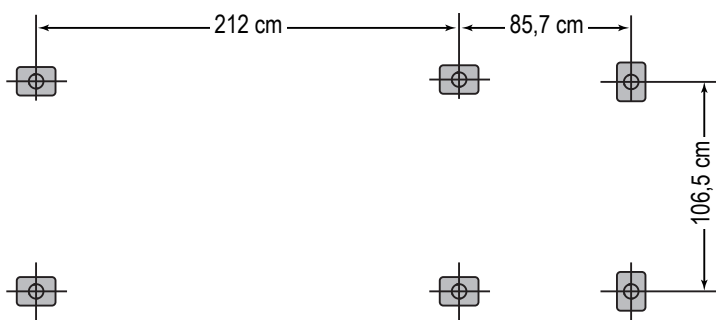


KOMPAN[®]
SC640000-3717P
SC640000-5017P

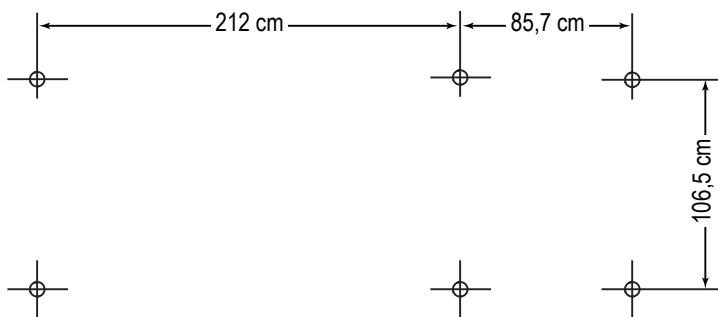




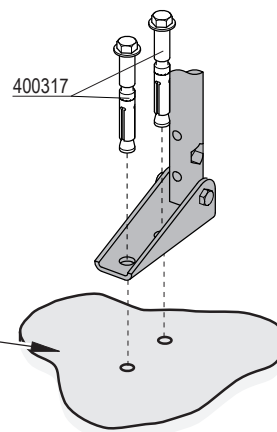
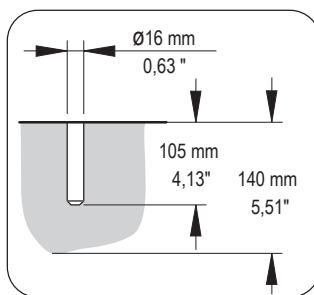
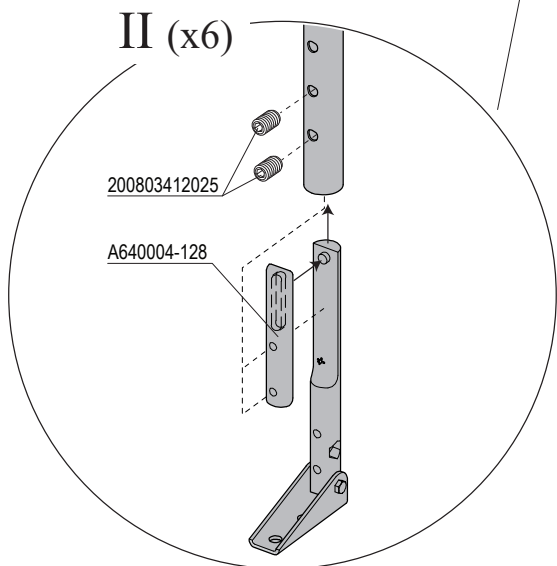
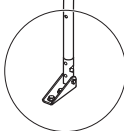
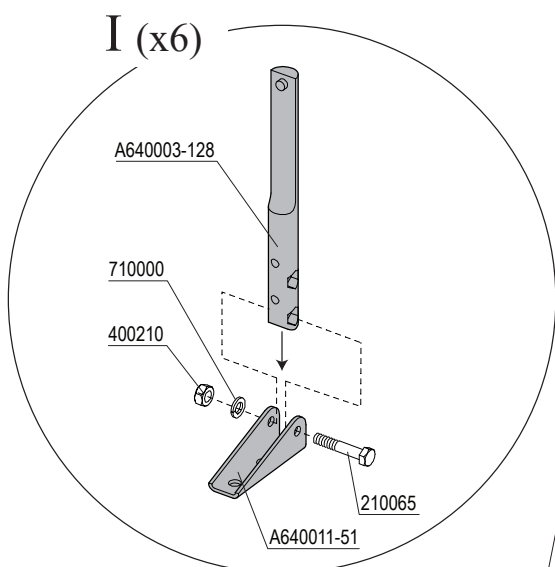
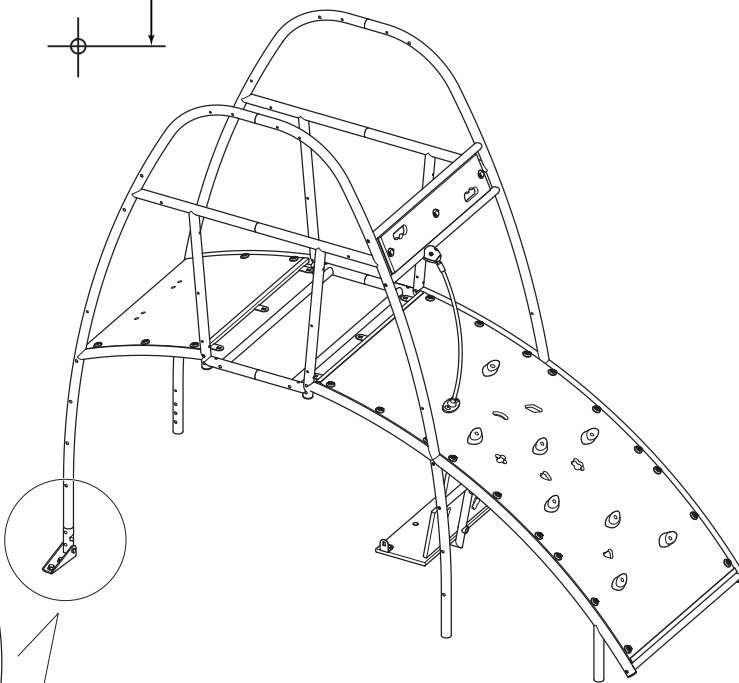
SC640000-3717P



VSC640000XX17P-02 20150422 AHE-Layout/PetrJu



SC640000-5017P



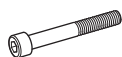


A



200803412025

B



250101508060

C



A640037-52

D



A10086-06

E



A400278

F



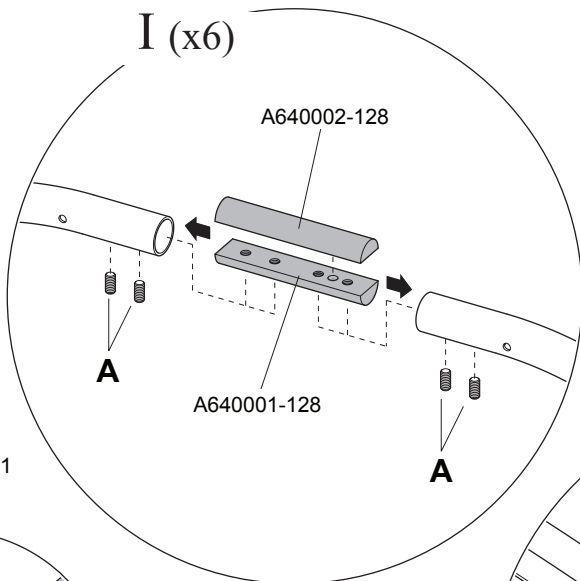
400108

G



A10085-06

I (x6)



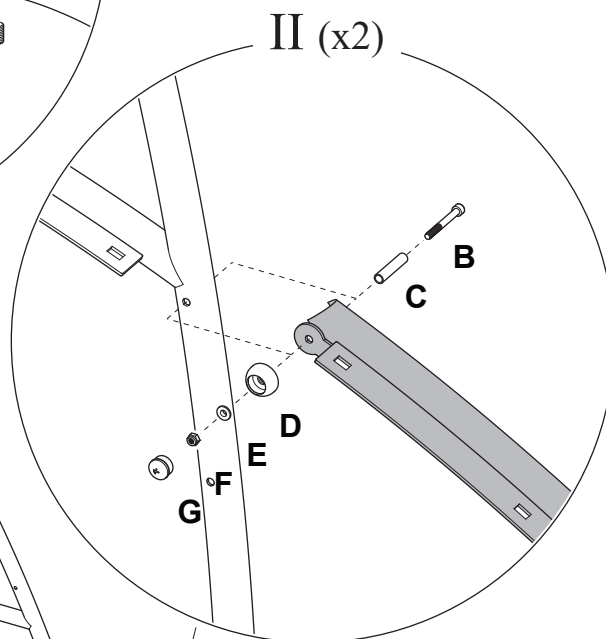
A640002-128

A640001-128

A

A

II (x2)



B

C

D

E

F

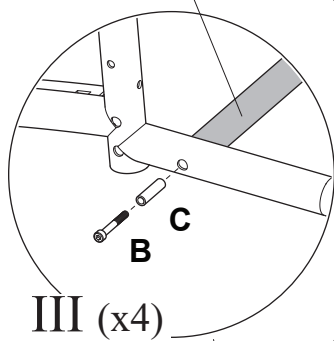
G

A640066-51

A640020-51

A640013-51

III (x4)



B

C

A640013-51

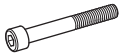

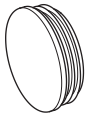




A640020-51

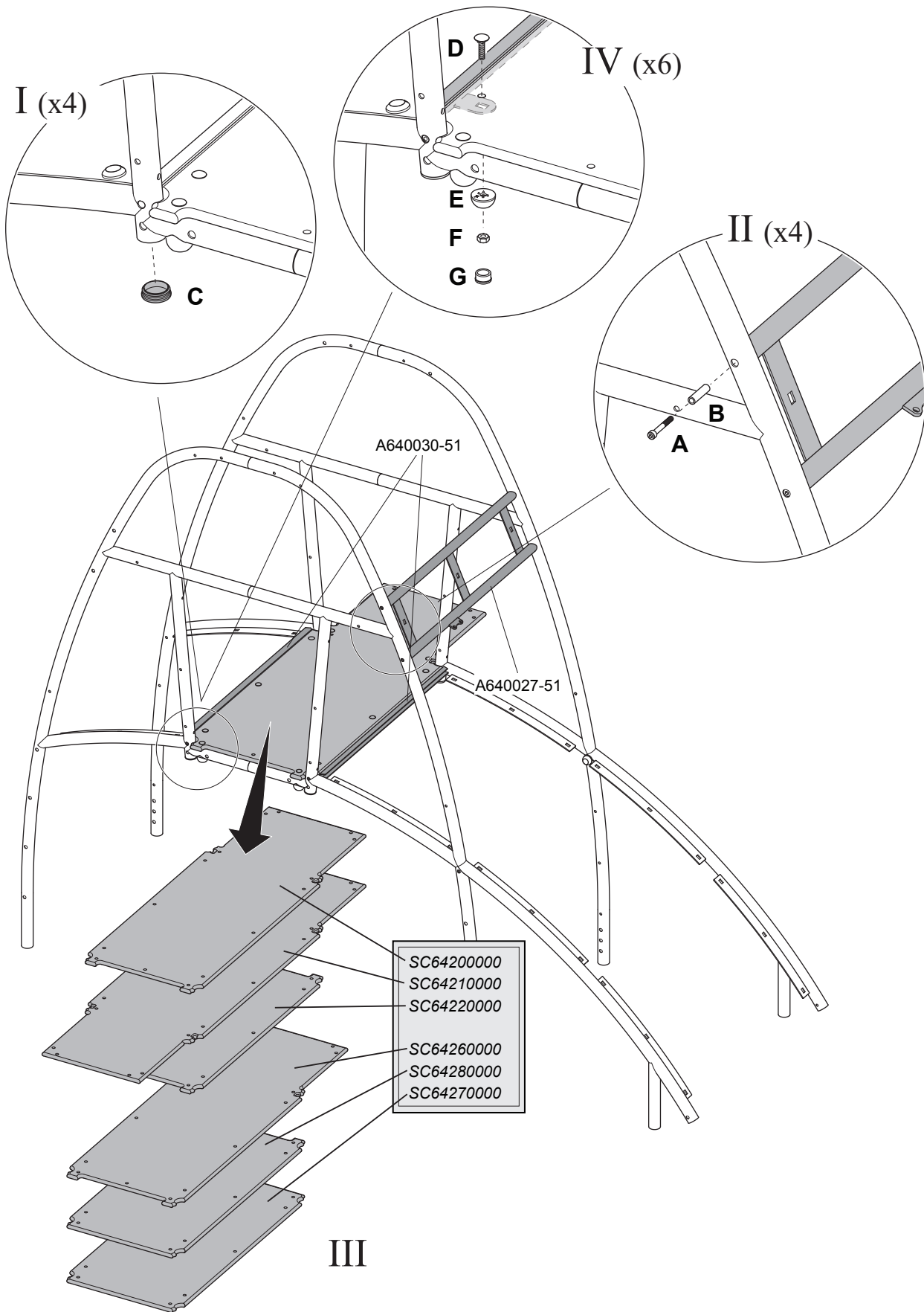
A640024-51

A640021-51

VSC640000XX17P-02 20150422 AHE-Layout/PetrJu



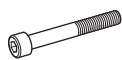
- A**  250101508060
- B**  A640037-52
- C**  A640008-06
- D**  110038-A2
- E**  A10086-06
- F**  400010-A2
- G**  A10085-06



VSC64000XX17P-02 20150422 AHE-Layout/PetrJu



A



250101508060

B



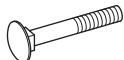
A640037-52

C



A400577-06

D



110065-A2

E



A28002-06

F



400010-A2

G



A100-31

H



110038-A2

J

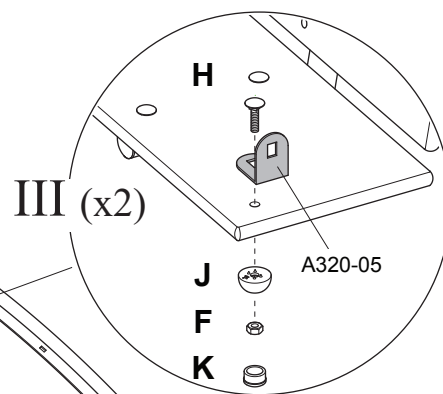
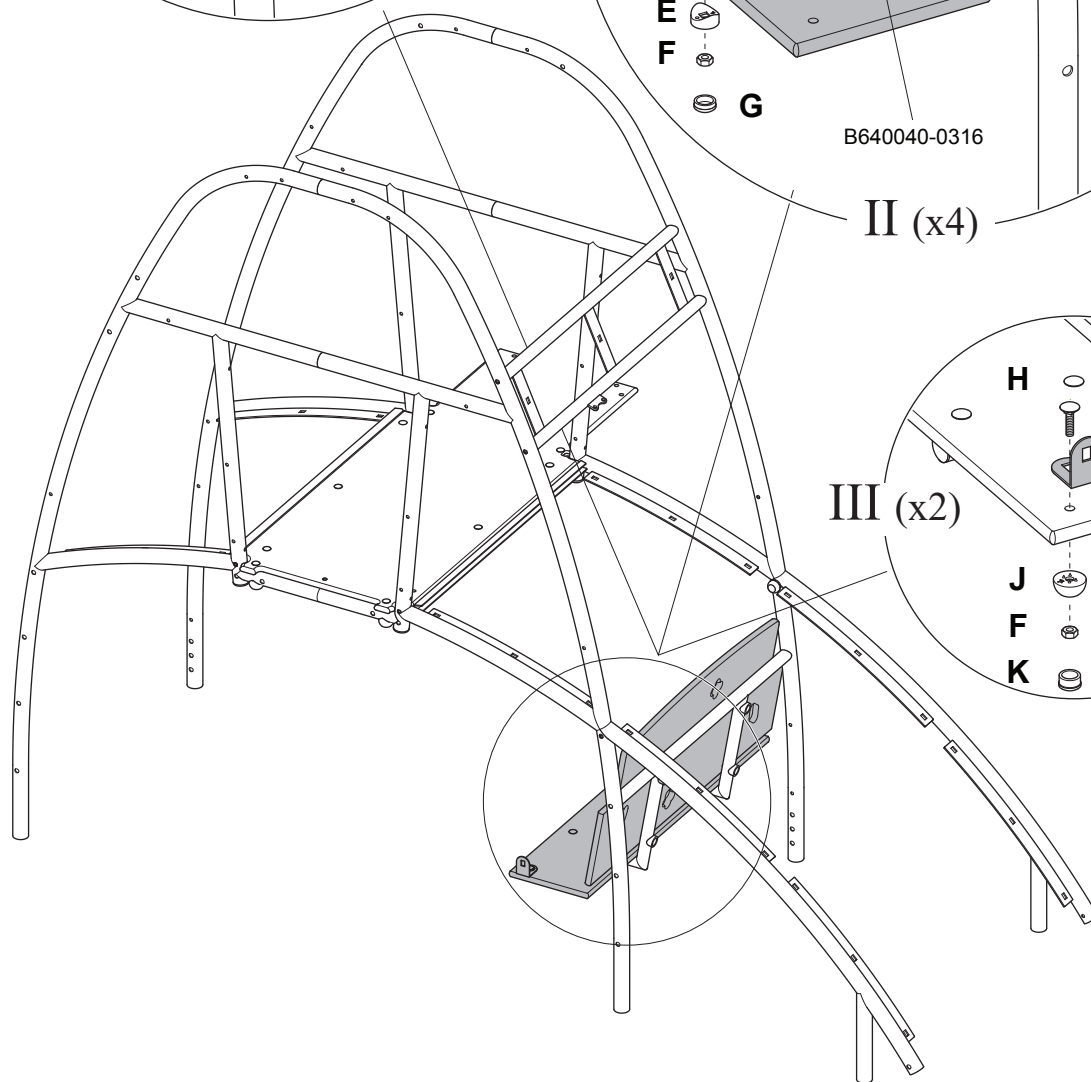
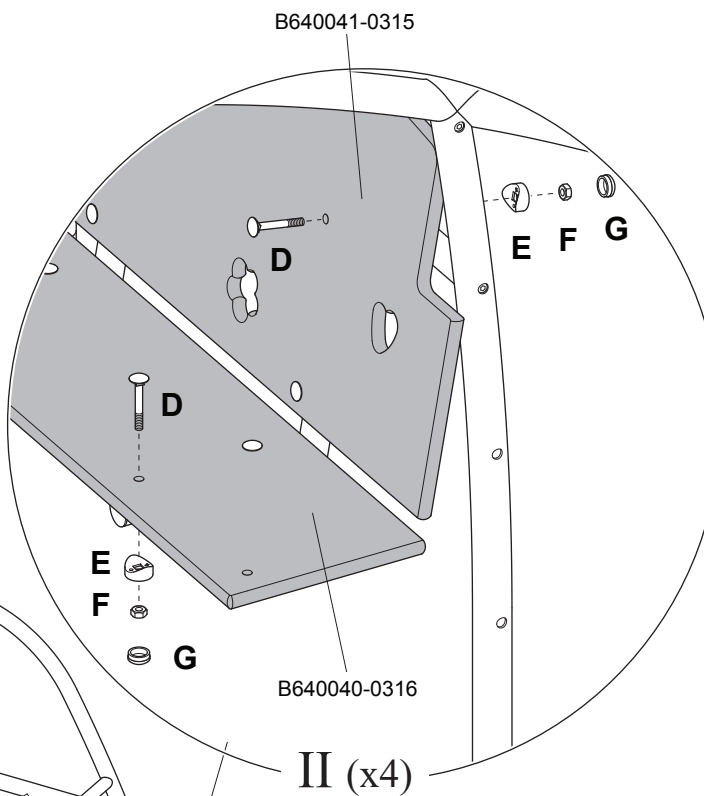
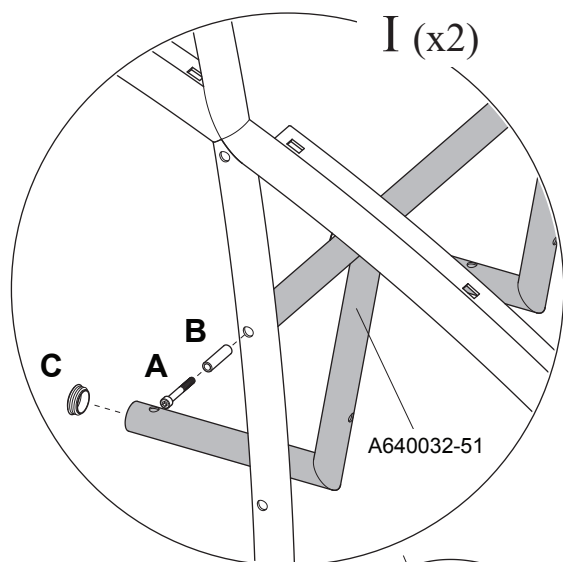


A10086-06

K



A10085-06



VSC64000XX17P-02 20150422 AHE-Layout/PetrJu



A



A640007-128

B



250101508030

C



A640064-128

D



A640063-52

E

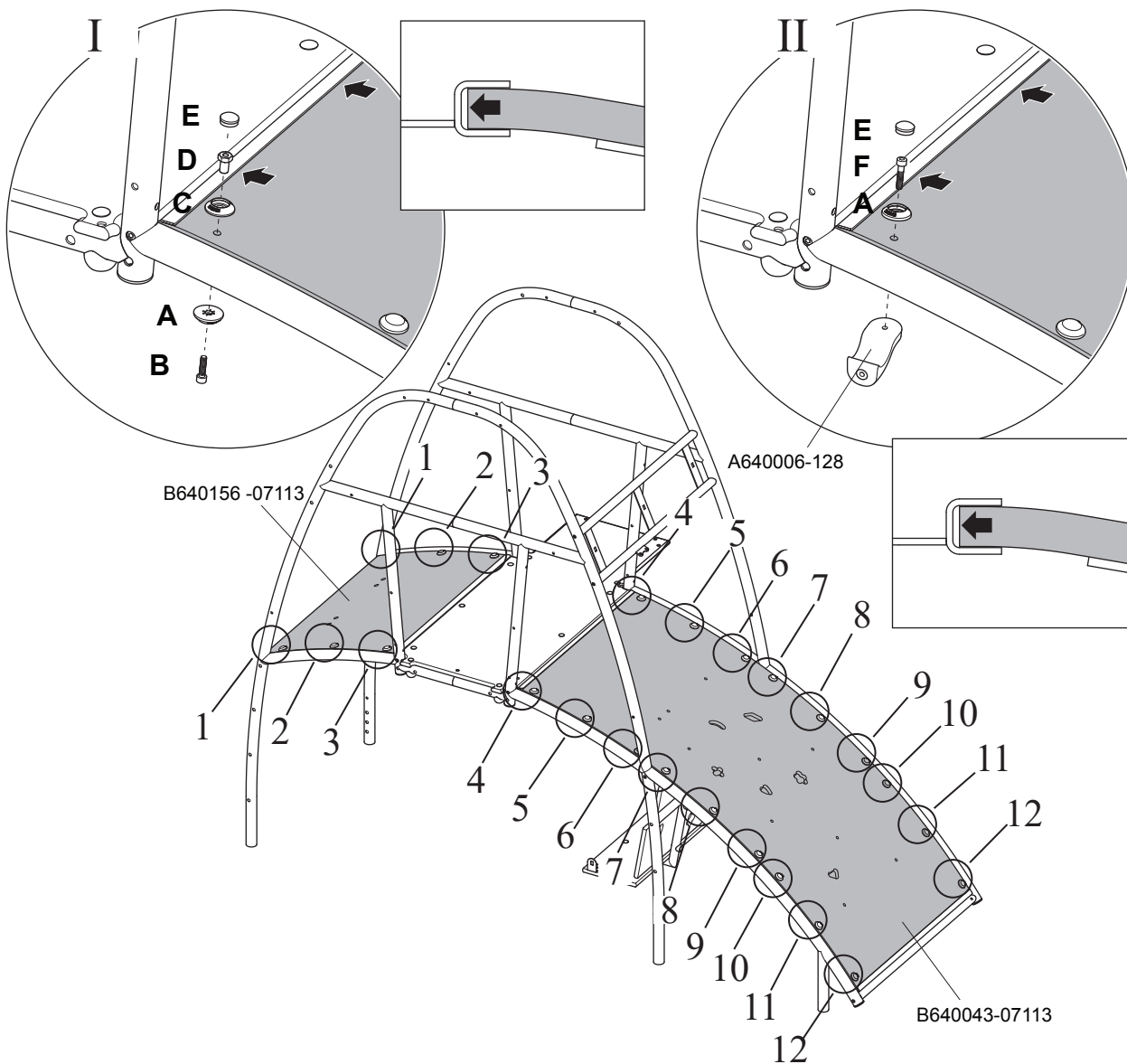


A10015-140

F

















250101508040



	SC644000	SC644100	SC644200	SC644300	SC645000	SC645100	SC645200	SC645900
1	II	I	I	II	II	II	II	I
2	II	II	II	II	II	II	II	I
3	I	I	I	I	I	I	I	I
4	I	I	I	I	I	I	I	II
5	II	I	II	II	II	II	II	II
6	II	II	II	II	II	II	II	II
7	I	I	I	I	I	I	I	I
8	I	II	II	II	I	II	II	I
9	I	I	I	I	II	I	I	I
10	I	I	II	II	I	II	II	I
11	I	I	II	I	II	I	I	II
12	I	I	I	II	II	II	II	II

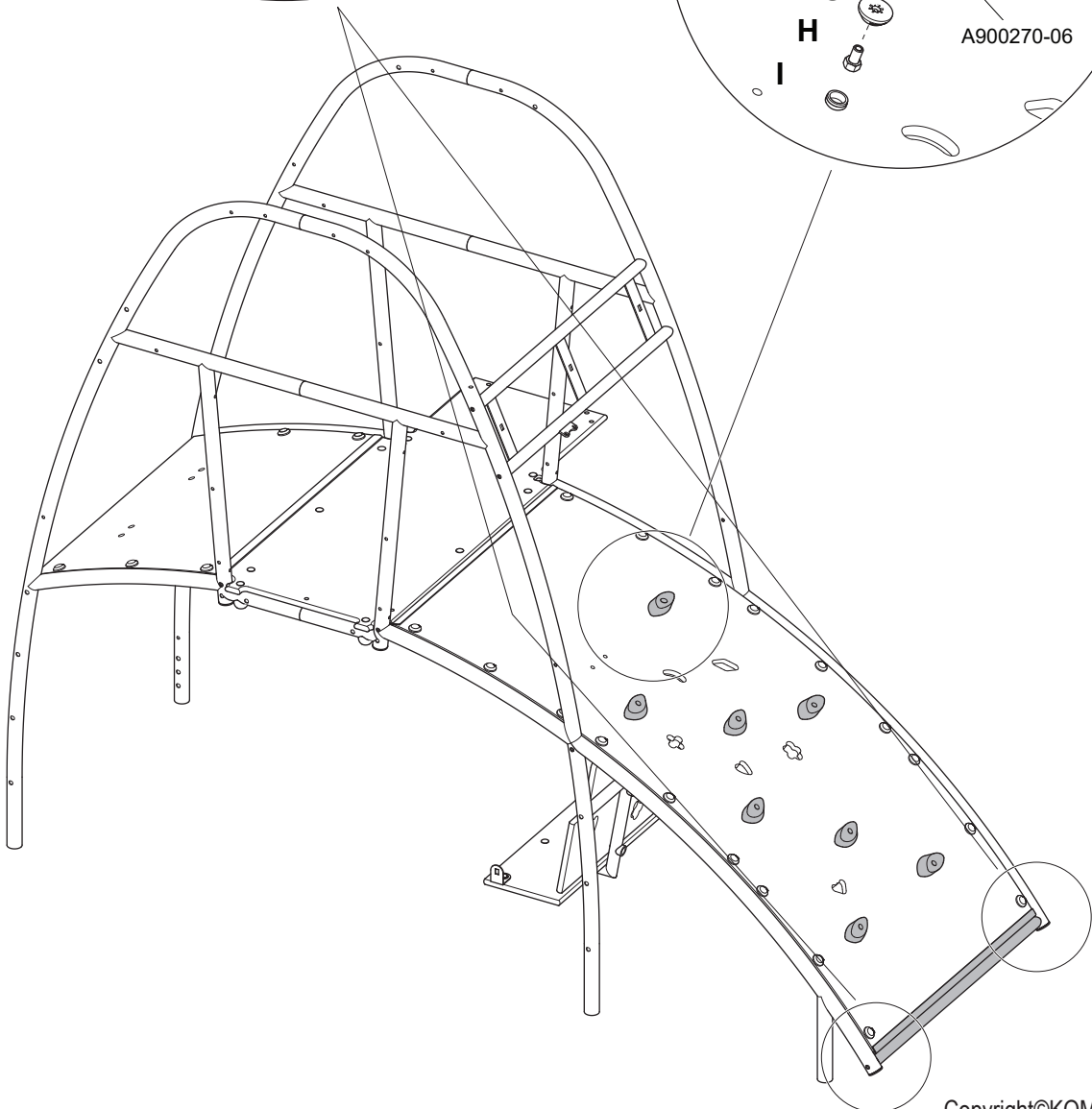
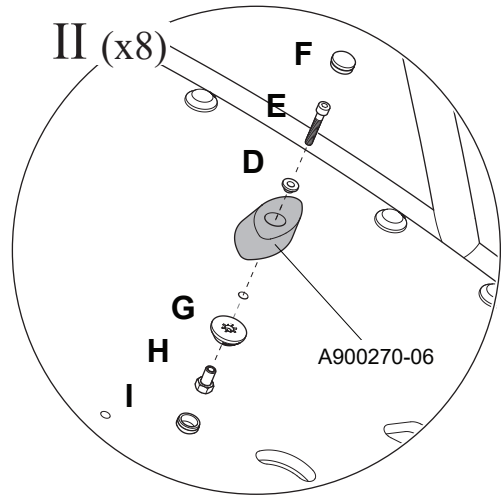
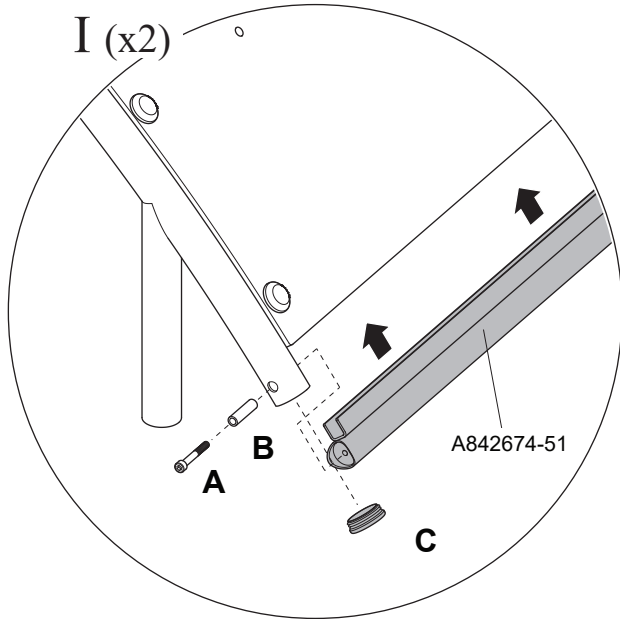


	 SC660000	 SC660100	 SC660200	 SC660300	 SC660400	 SC660900	 SC661000
1	II	II	I	I	II	II	II
2	I	I	II	II	I	I	I
3	II	II	I	I	II	II	II
4	II	II	I	I	I	II	II
5	I	I	I	I	II	I	I
6	II	II	II	II	II	II	II
7	I	I	I	I	I	I	I
8	II	II	II	II	I	II	II
9	I	I	II	II	I	I	I
10	II	II	I	I	I	II	II
11	I	I	II	II	I	I	I
12	II	II	II	II	I	II	II

	 SC661100	 SC661200	 SC661300	 SC661400	 SC661500	 SC661600	 SC661700
1	I	I	II	II	I	I	II
2	II	II	I	I	II	II	I
3	I	I	II	II	I	I	II
4	I	I	II	II	I	I	I
5	I	I	I	I	I	I	II
6	II	II	II	II	II	II	II
7	I	I	I	I	I	I	I
8	II	II	II	II	II	II	I
9	II	II	I	I	II	II	I
10	I	I	II	II	I	I	I
11	II	II	I	I	II	II	I
12	II	II	II	II	II	II	I



- A** 250101508060
- B** A640037-52
- C** A640008-06
- D** A400278
- E** 250101508040
- F** A100-31
- G** A640064-128
- H** A640063-52
- I** A10015-140





A



A640007-128

B



250101508030

C



A10015-140

D



A640064-128

E



A640063-52

F



931030-A2

G



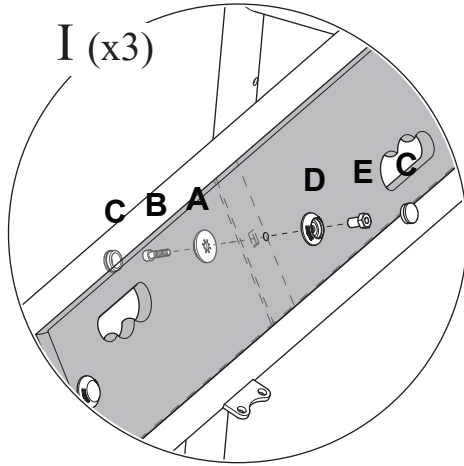
A900215-06

H

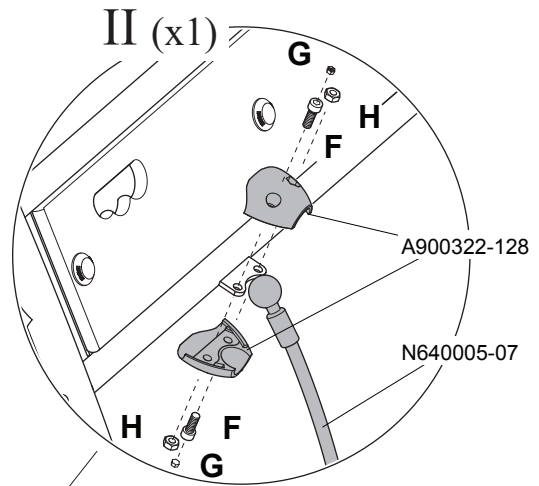


400210-A2

I (x3)



II (x1)



B640039-0315

VSC640000XX17P-02 20150422 AHE-Layout/PetrJu



A



A400278

B



250101508030

C



A100-33

D



A640064-128

E

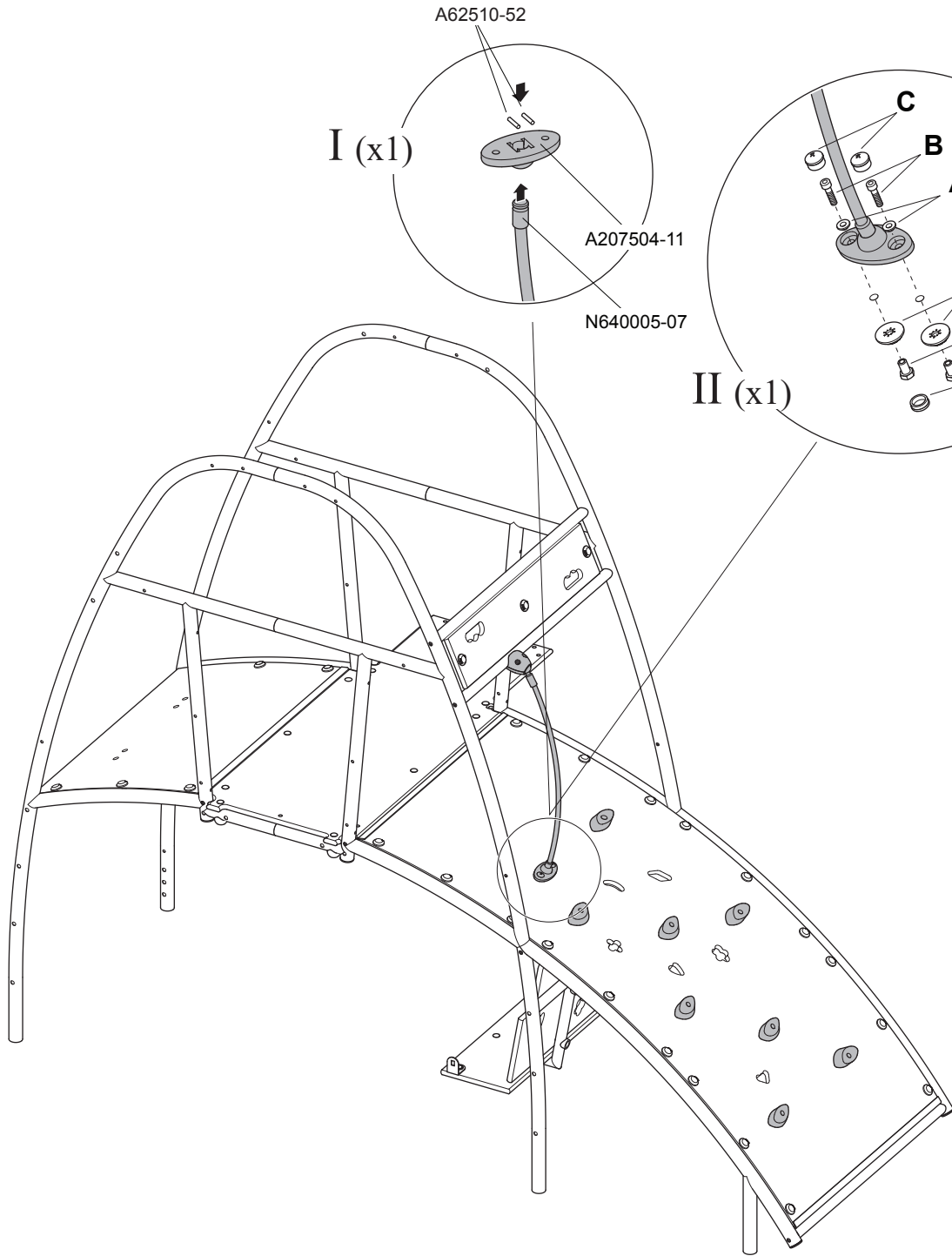


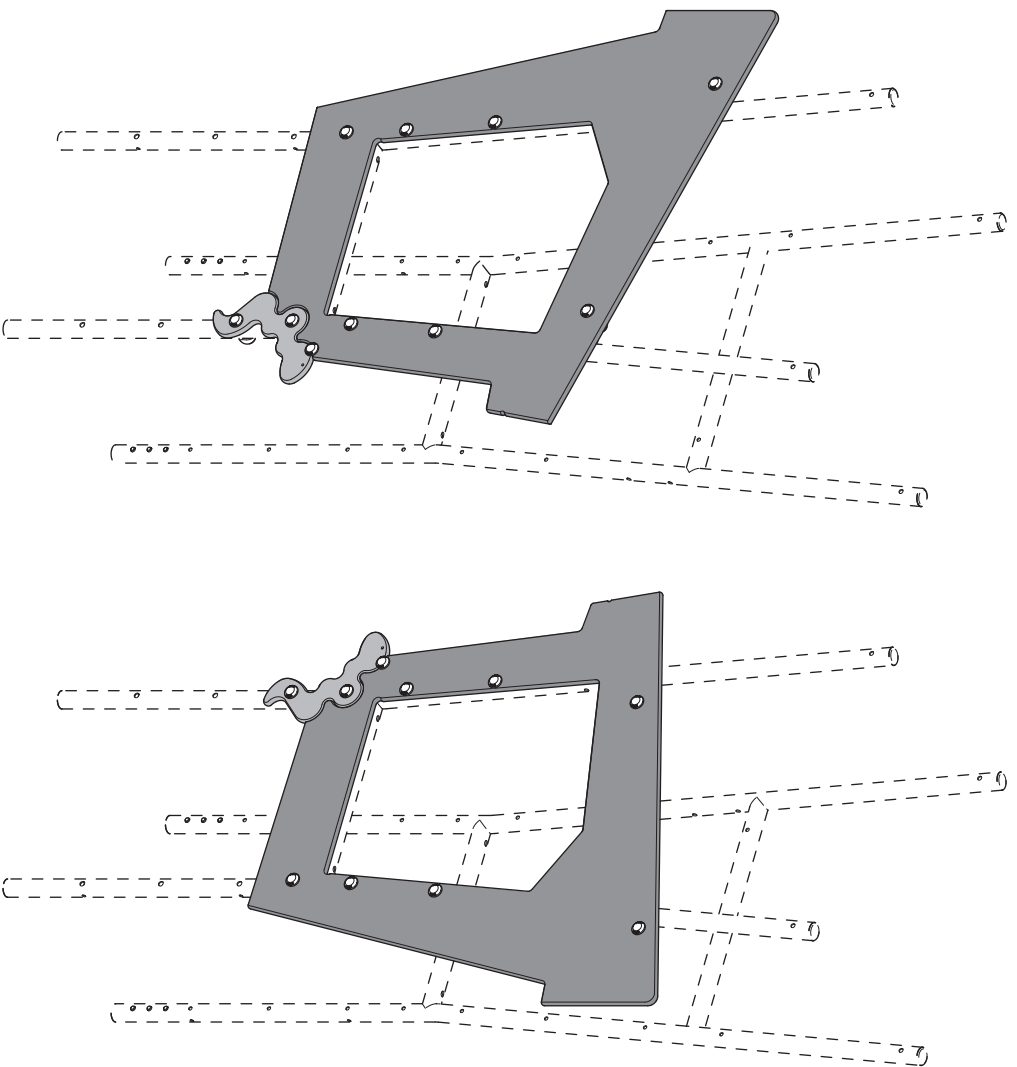
A640063-52

F



A10015-140







A



A640007-188

B



250101508090

C



A10015-140

D



A864002-06

E



A400278-52

F



400108

G



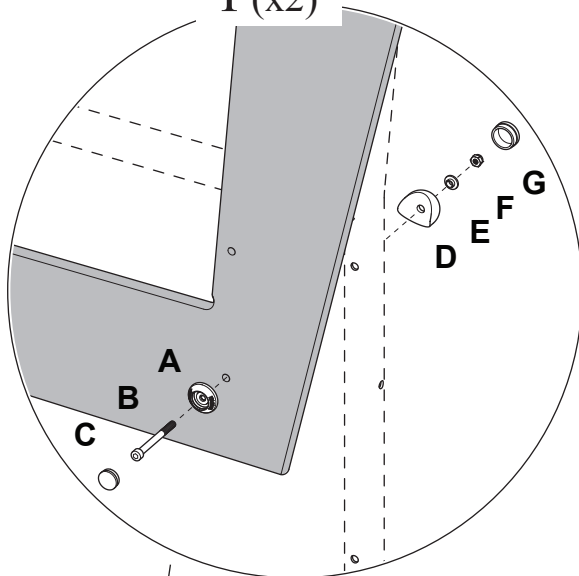
A10016-06

H

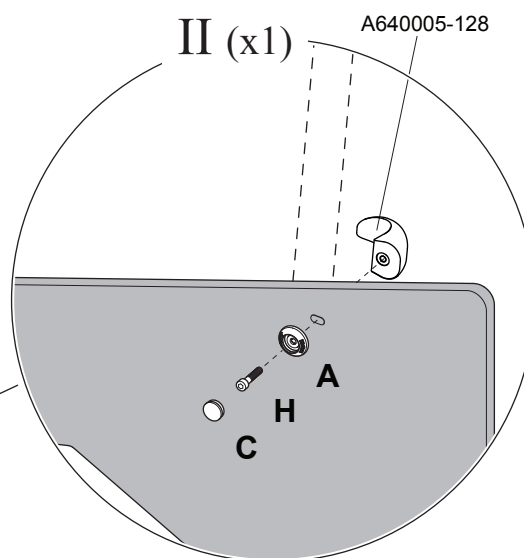


250101508040

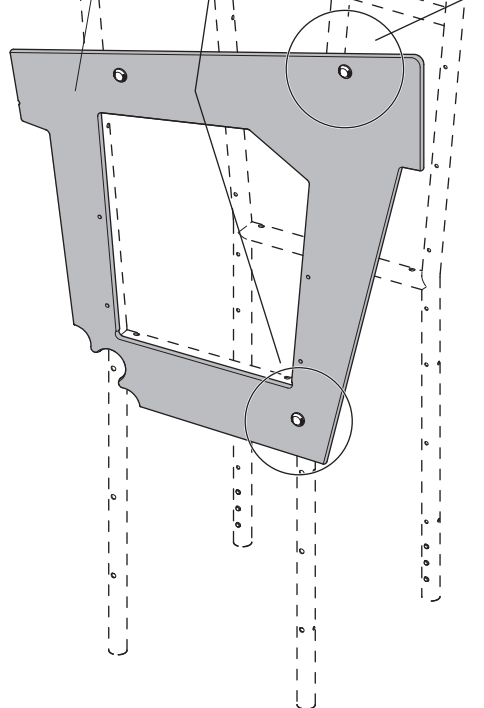
I (x2)











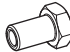
II (x1)

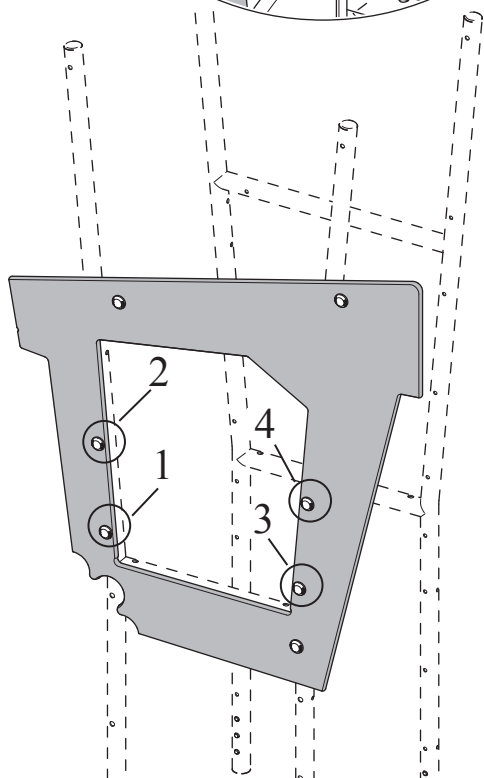
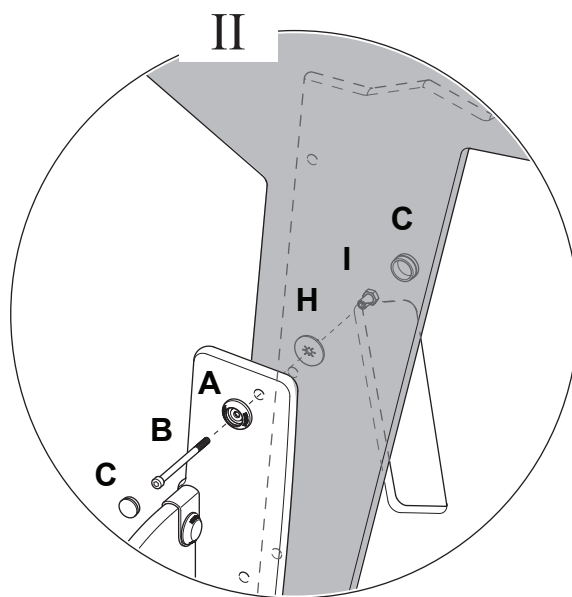
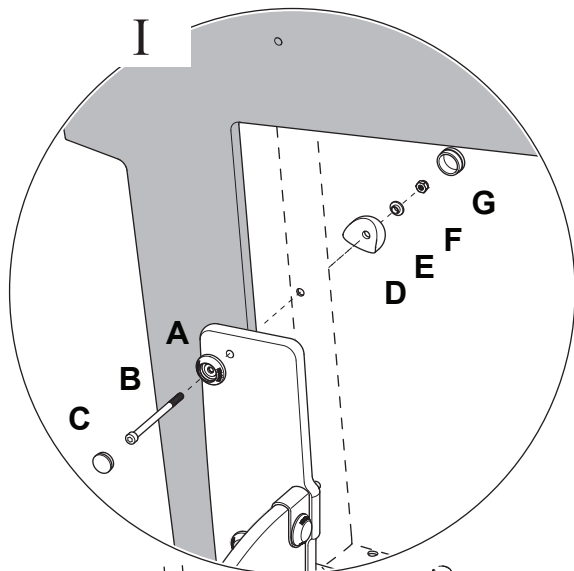







B640240-0301










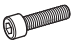




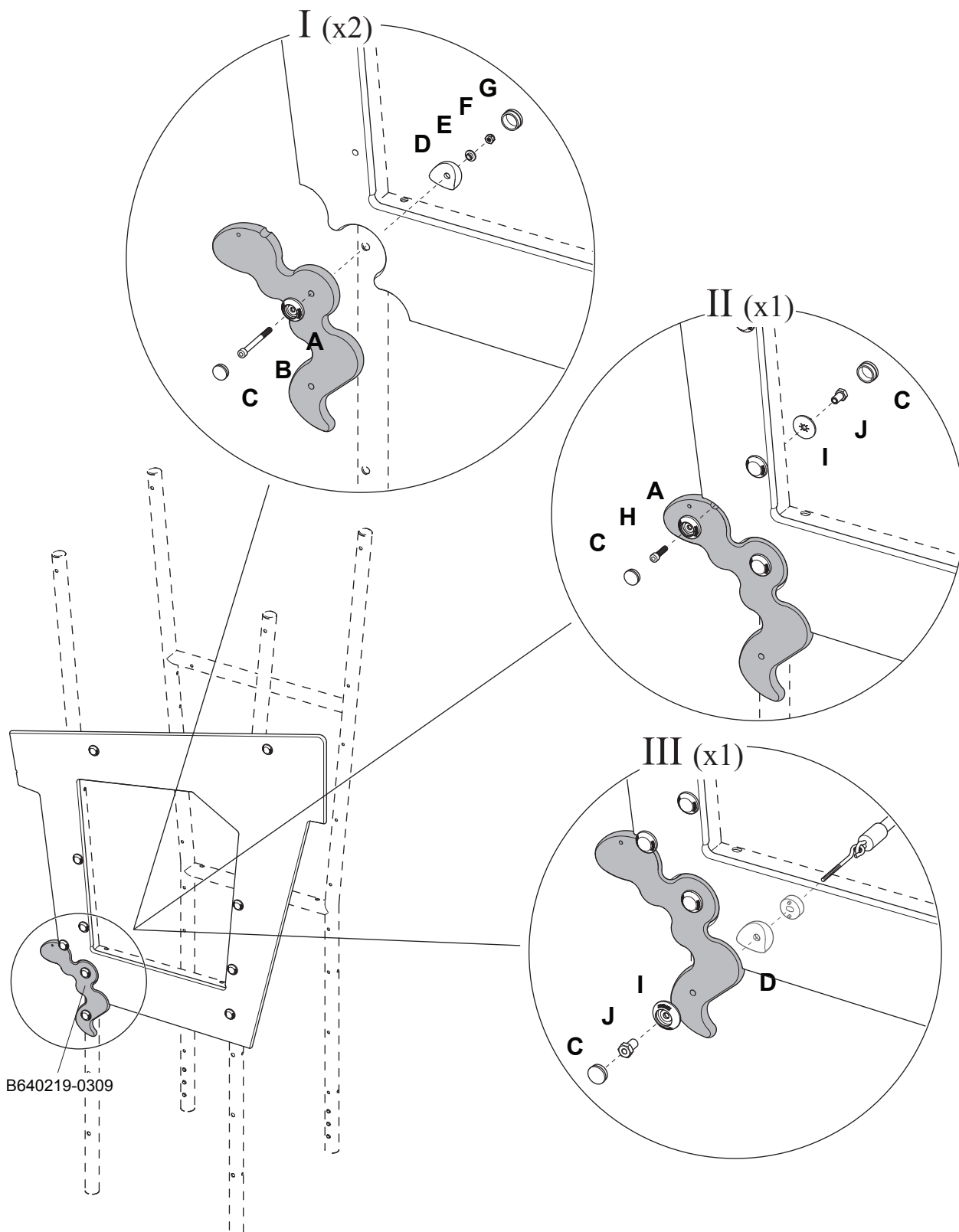
- A**

 A640007-188
- B**

 250101508110
- C**

 A10015-140
- D**

 A864002-06
- E**

 A400278
- F**

 400108
- G**

 A10016-06
- H**

 A640064-188
- I**

 A640063-52

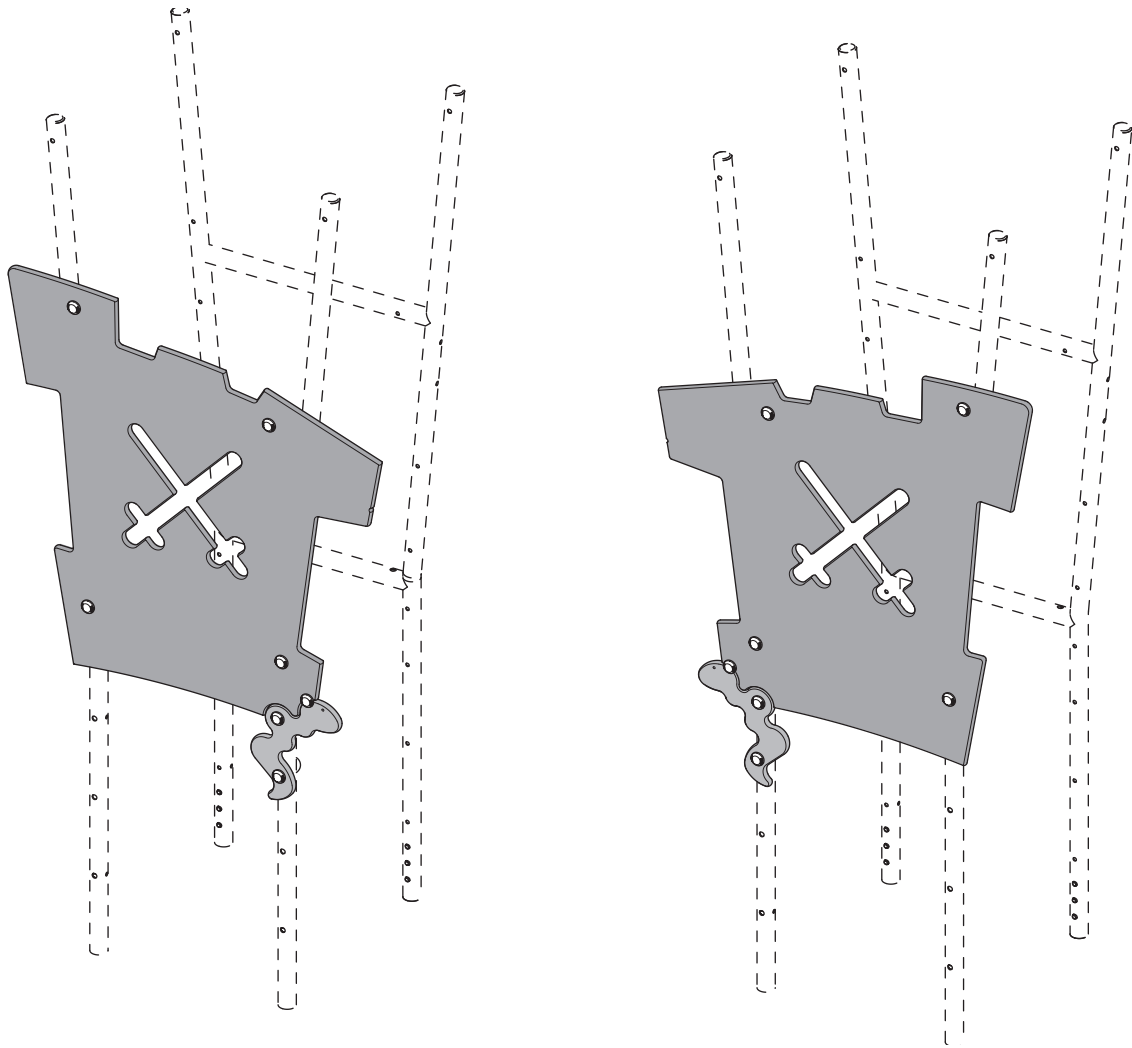


					
	SC652600	SC652700	SC646702	SC646902	SC653000
1	I	I	I	I	I
2	I	I	I	I	I
3	II	II	I	I	II
4	II	II	I	I	II


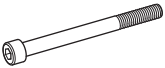

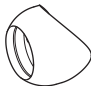





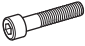
- A**  A640007-188
- B**  250101508090
- C**  A10015-140
- D**  A864002-06
- E**  A400278-52
- F**  400108
- G**  A10016-06
- H**  250101508030
- I**  A640064-188
- J**  A640063-52

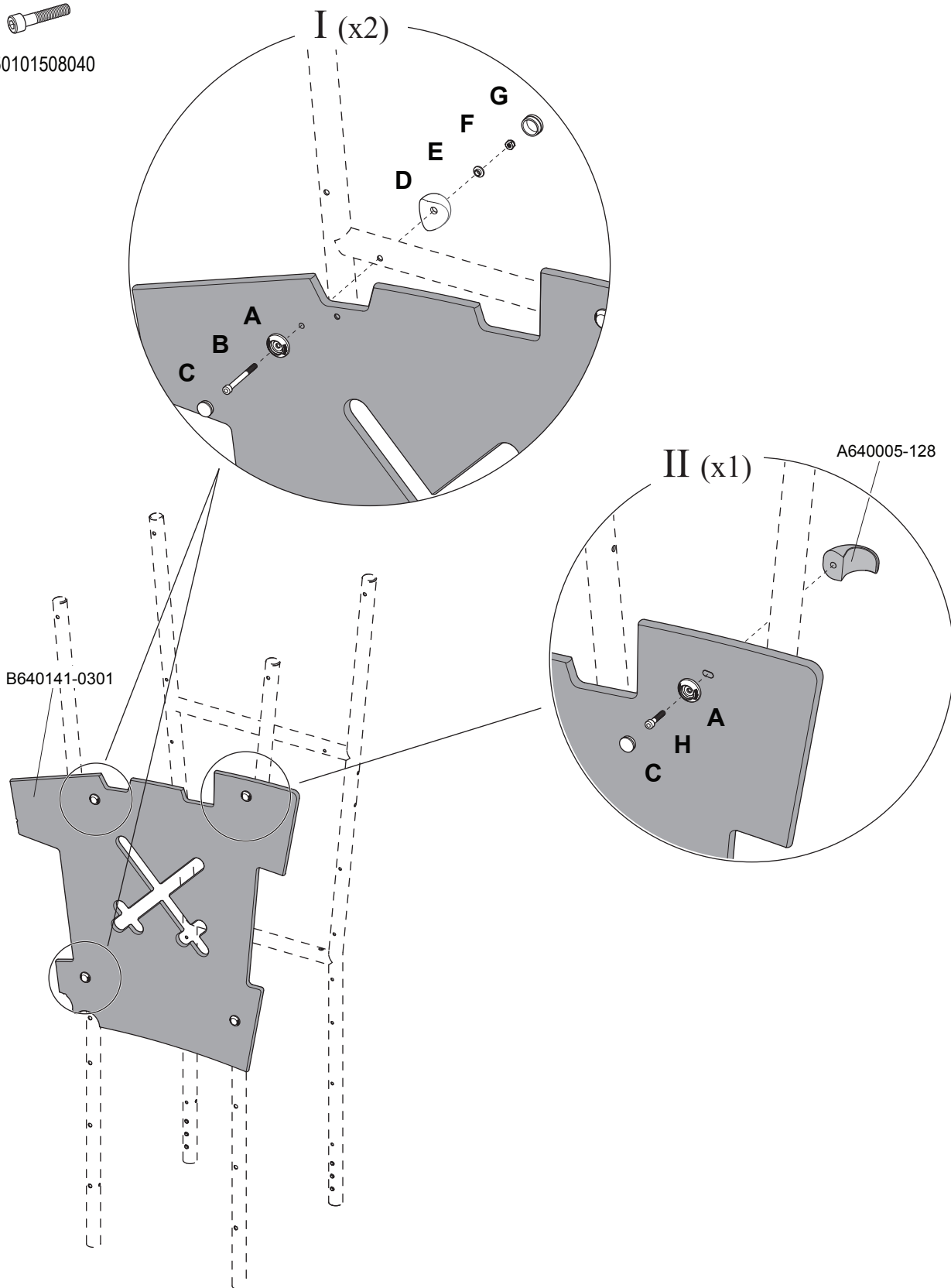












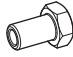


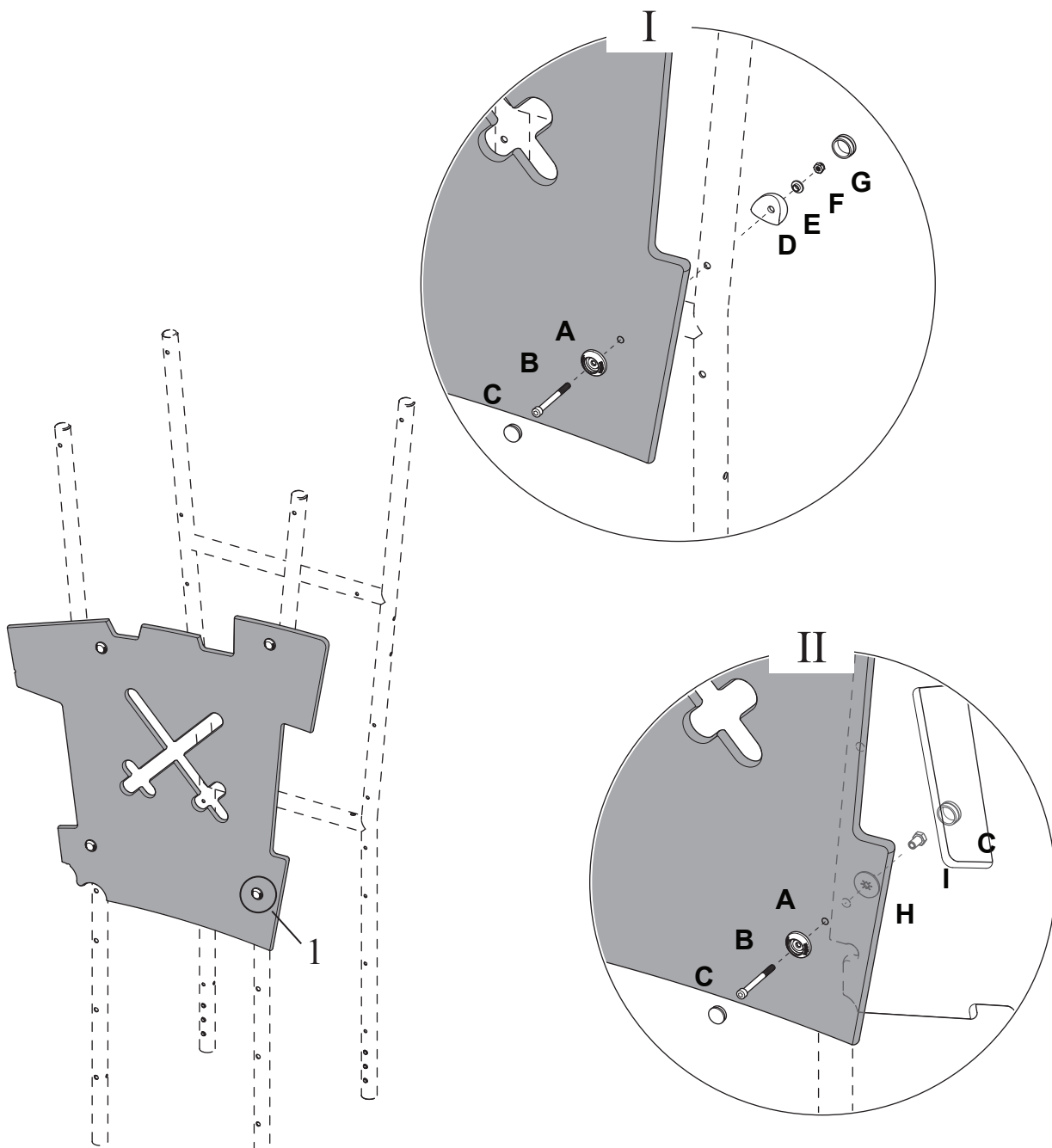
- A**  A640007-128
- B**  250101508090
- C**  A10015-140
- D**  A864002-06
- E**  A400278
- F**  400108
- G**  A10016-06







- H**  250101508040










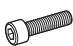




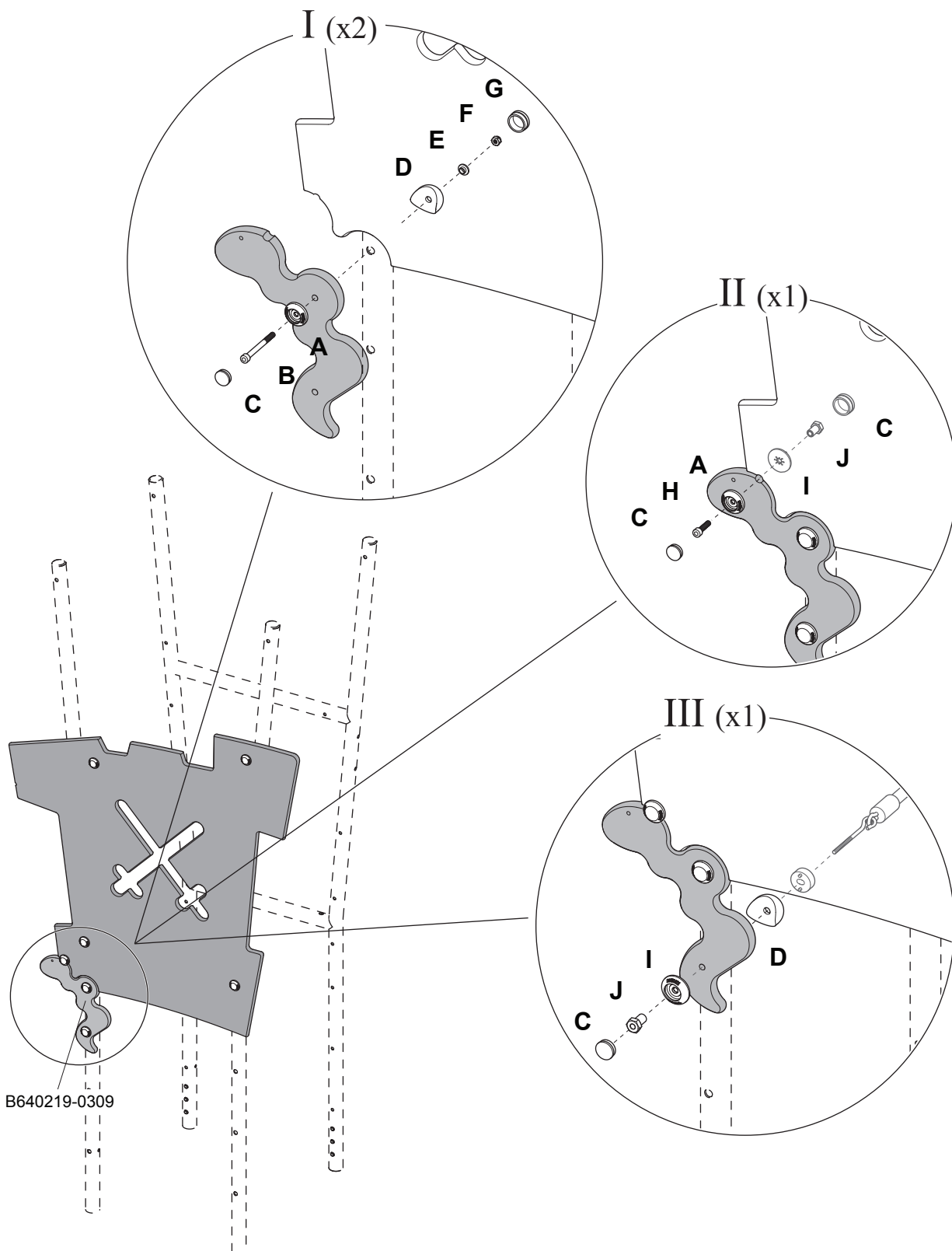
- A**

 A640007-128
- B**

 250101508090
- C**

 A10015-140
- D**

 A864002-06
- E**

 A400278
- F**

 400108
- G**

 A10016-06
- H**

 A640064-128
- I**

 A640063-52

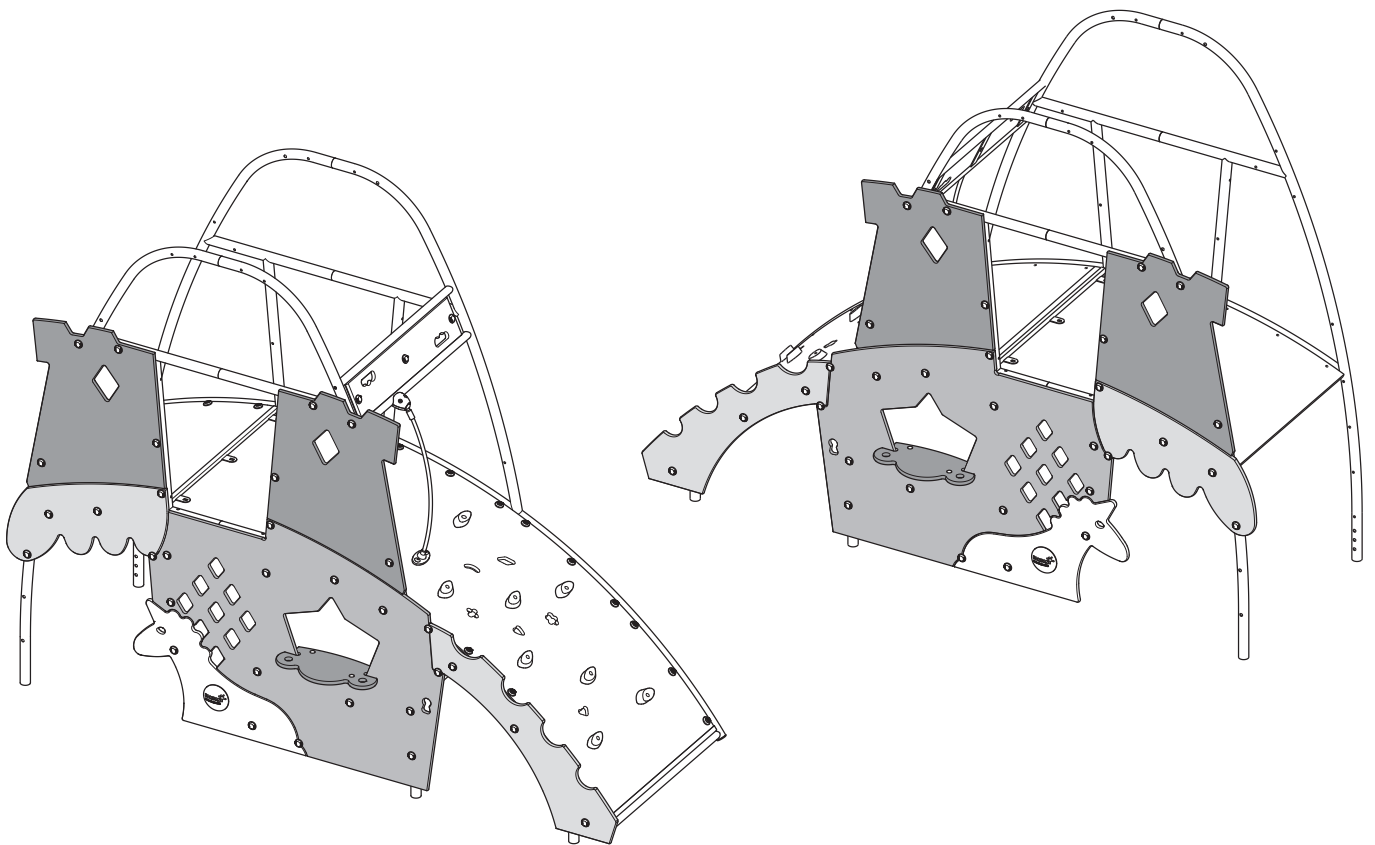


						
	SC651102	SC652000	SC652100	SC652600	SC652700	SC653000
1	I	I	I	II	II	II



- A**  A640007-128
- B**  250101508090
- C**  A10015-140
- D**  A864002-06
- E**  A400278-52
- F**  400108
- G**  A10016-06
- H**  250101508030
- I**  A640064-128
- J**  A640063-52





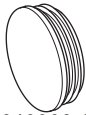


A

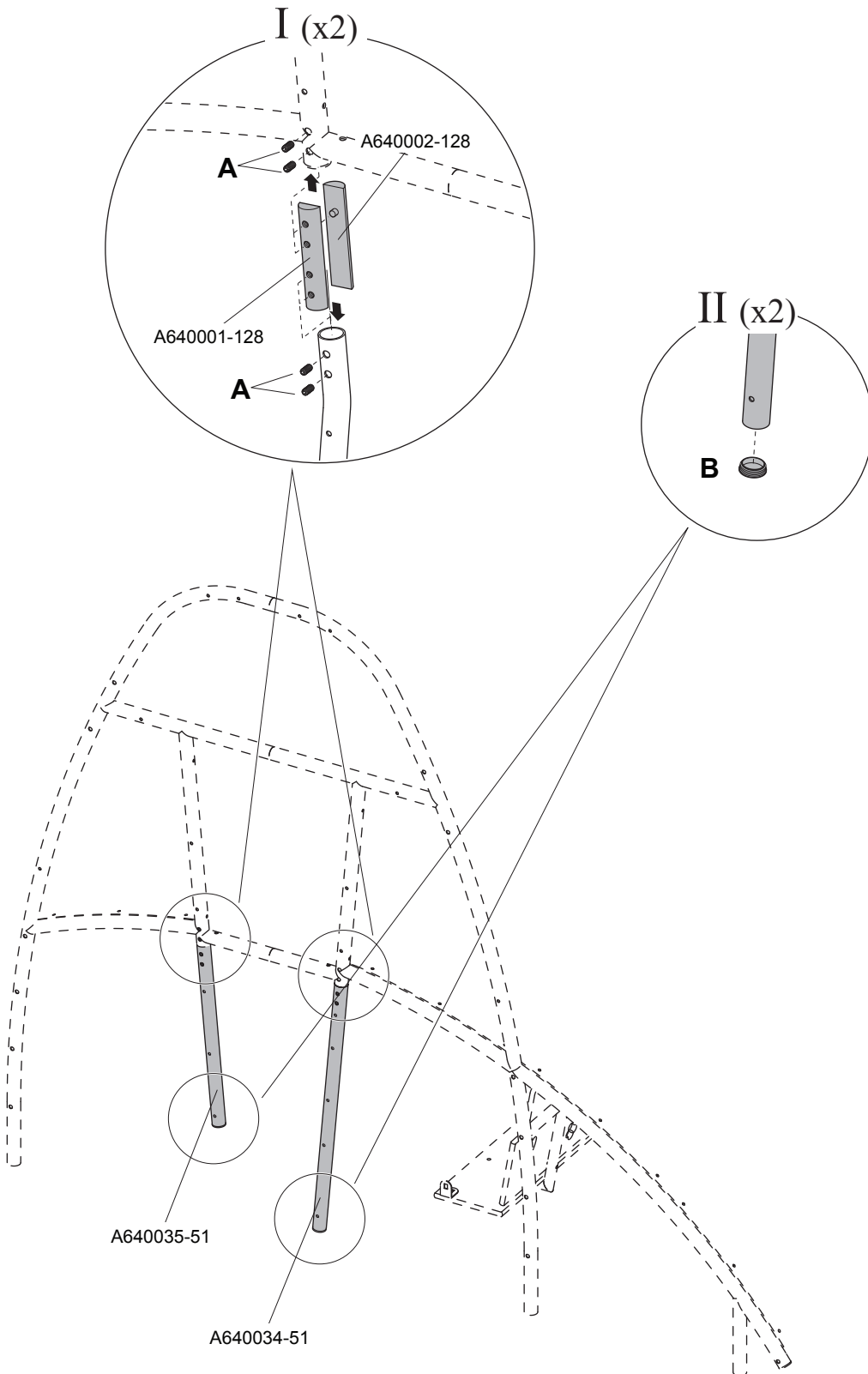


200803412025

B



A640008-06



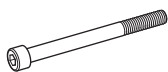


A



A640007-128

B



250101508090

C



A10015-140

D



A864002-06

E



A400278-52

F

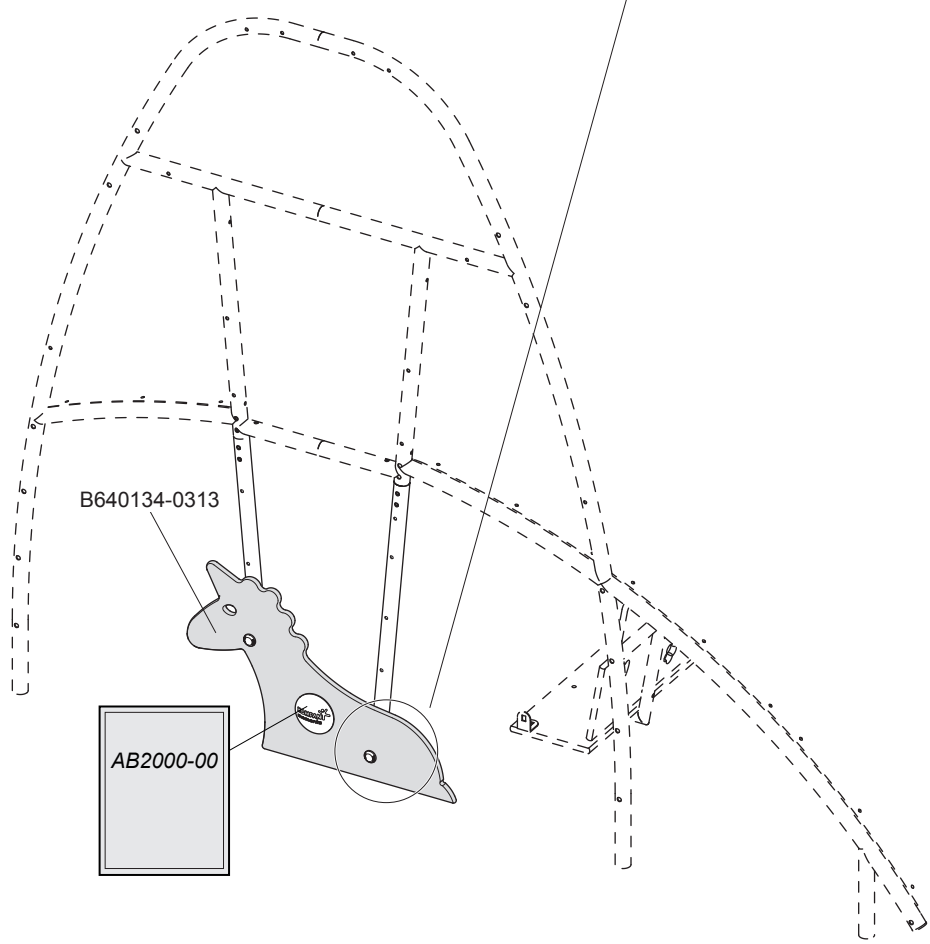
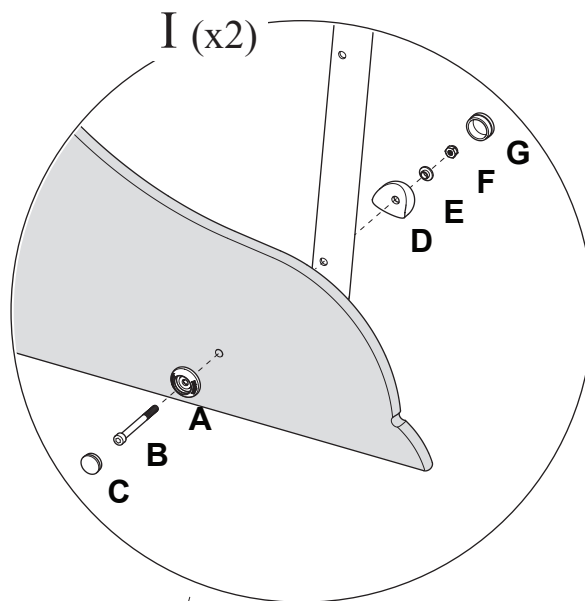


400108

G



A10016-06



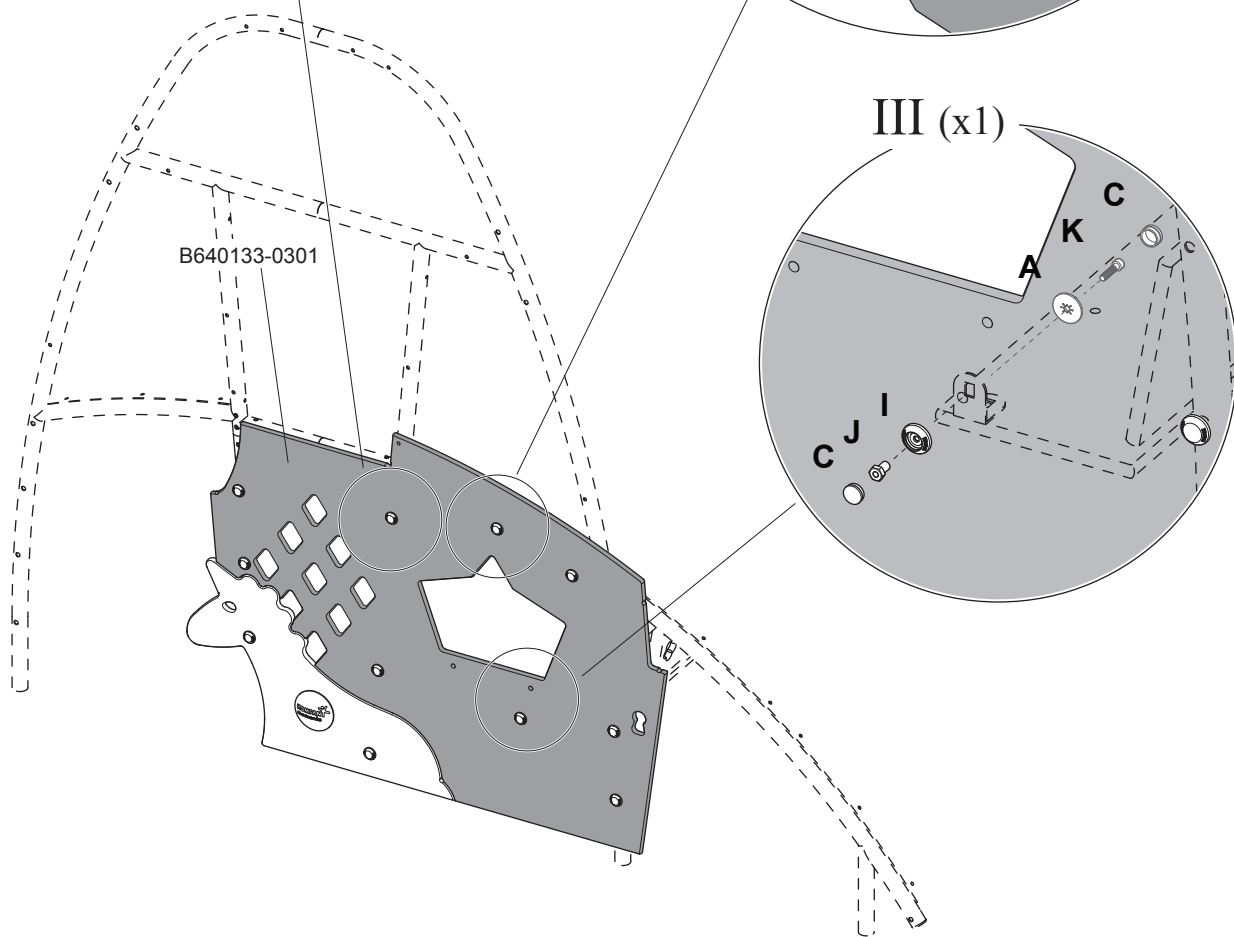
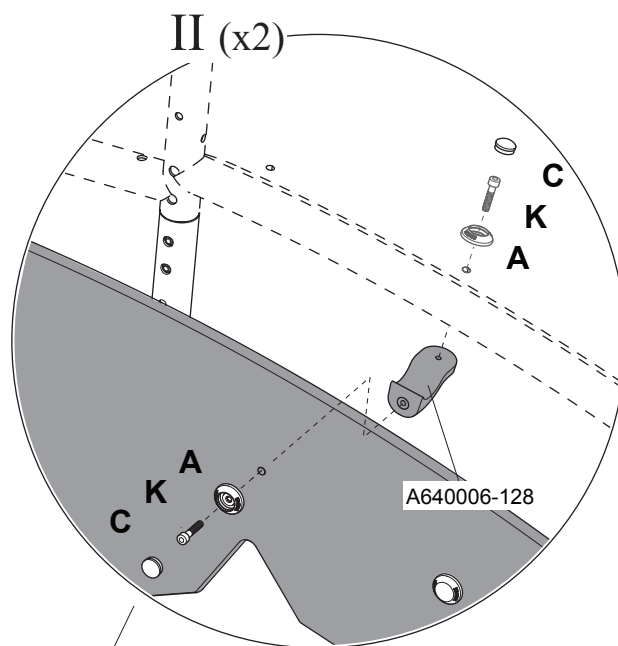
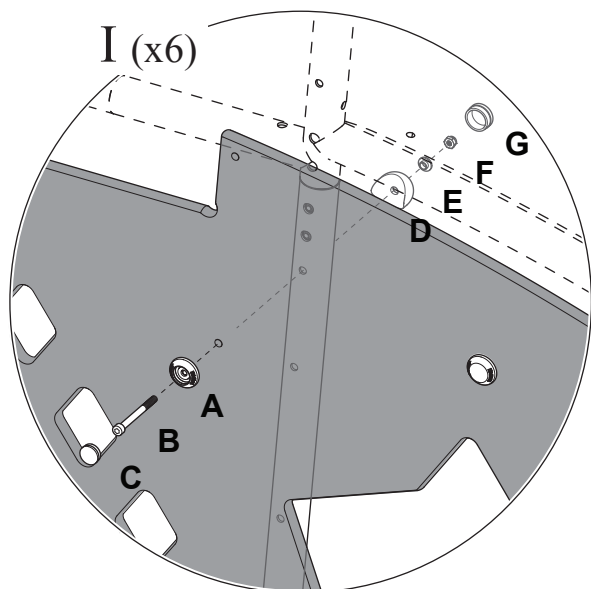
AB2000-00

B640134-0313







- A** A640007-128
- B** 250101508090
- C** A10015-140
- D** A8640002-06
- E** A400278-52
- F** 400108
- G** A10016-06

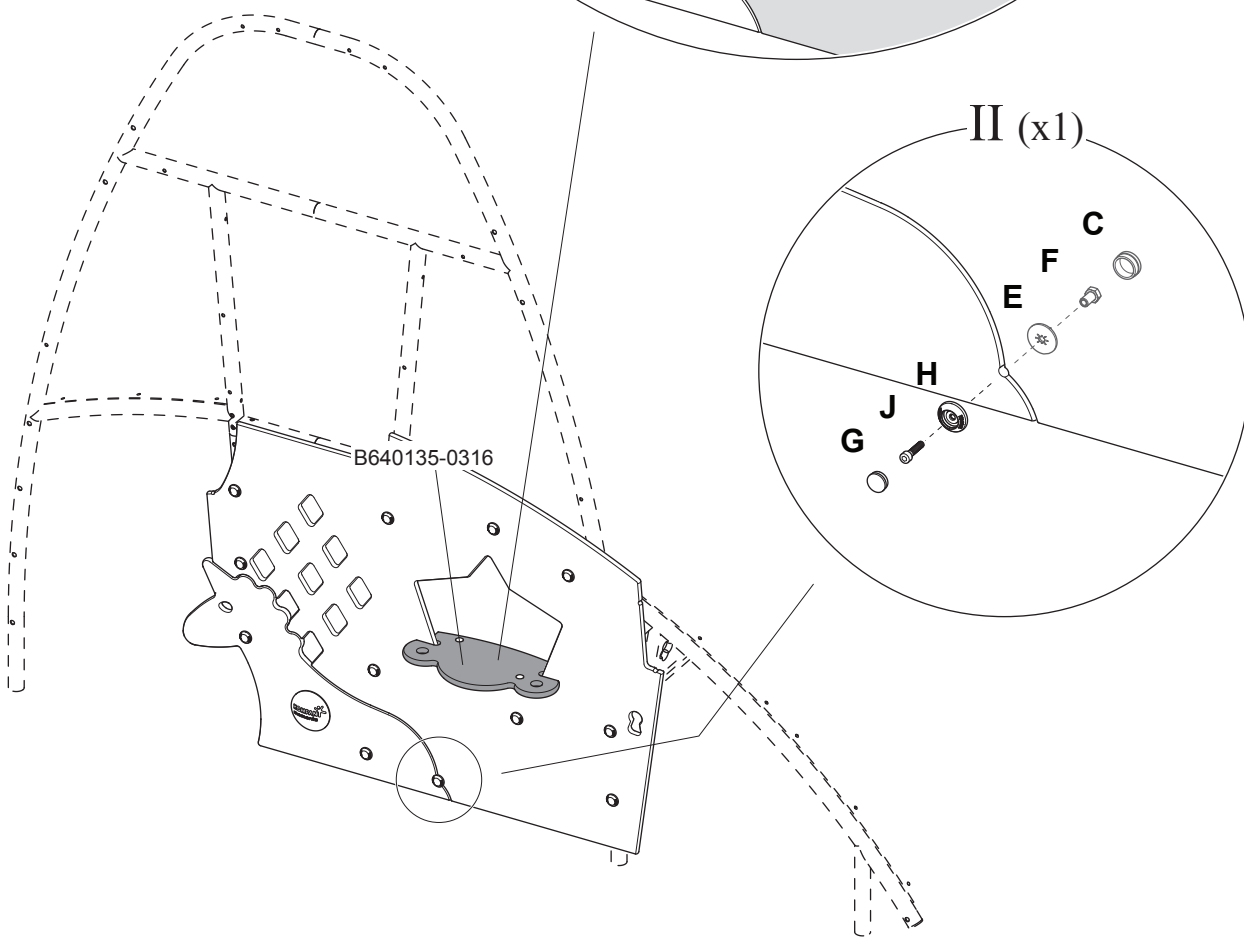
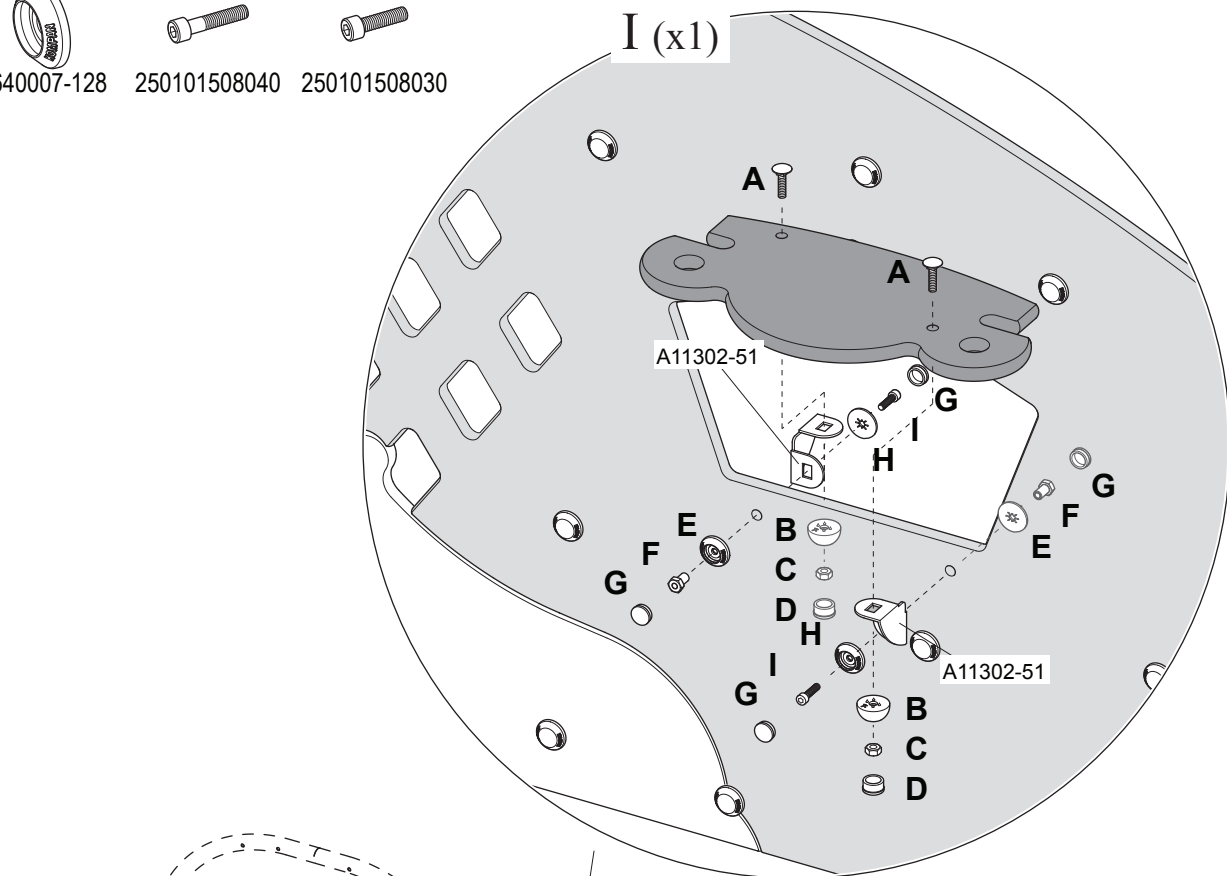
- H** 250101508030
- I** A640064-128
- J** A640063-52
- K** 250101508040





- A**  110038-A2
- B**  A10086-06
- C**  400010-A2
- D**  A10085-06
- E**  A640064-128
- F**  A640063-52
- G**  A10015-140

- H**  A640007-128
- I**  250101508040
- J**  250101508030





A



A640007-128

B



250101508040

C



A10015-140

D



250101508030

E



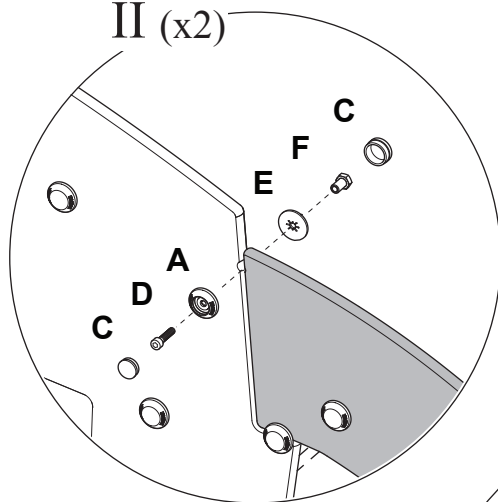
A640064-128

F

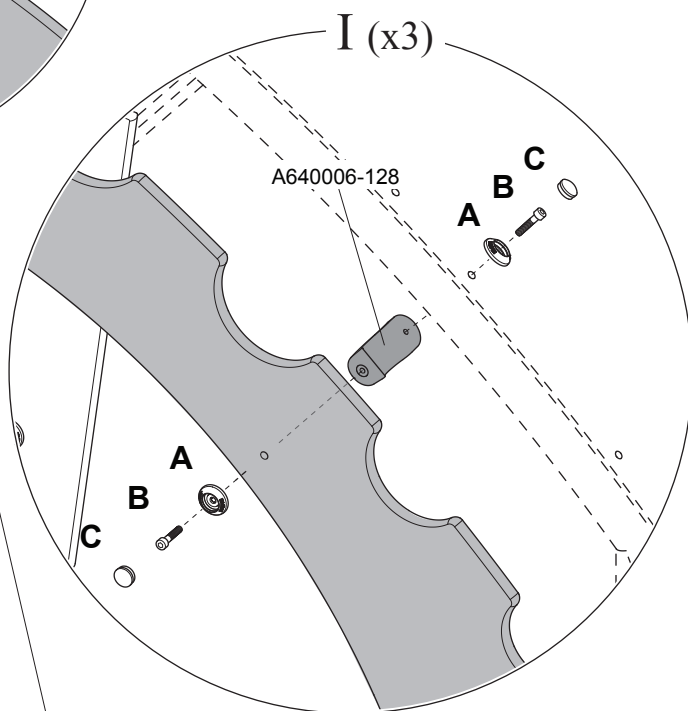


A640063-52

II (x2)



I (x3)



B640136-0315



A



A640007-128

B



250101508090

C



A10015-140

D



A864002-06

E



A400278-52

F



400108

G



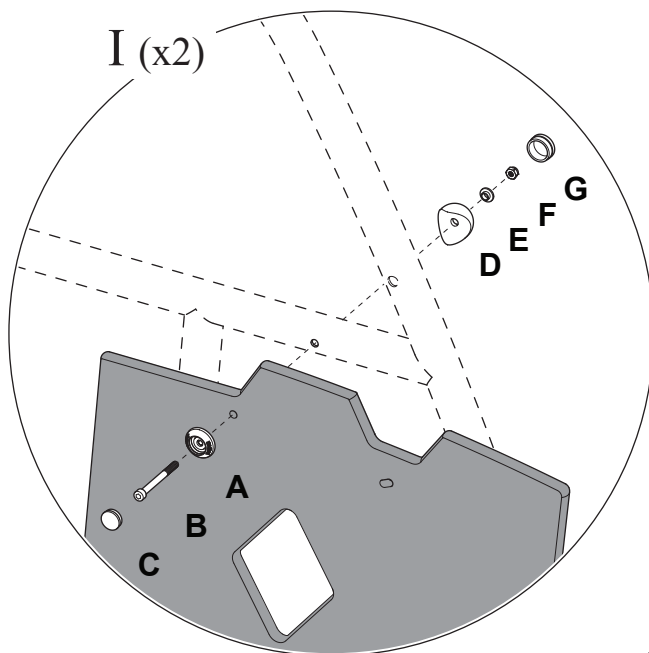
A10016-06

H

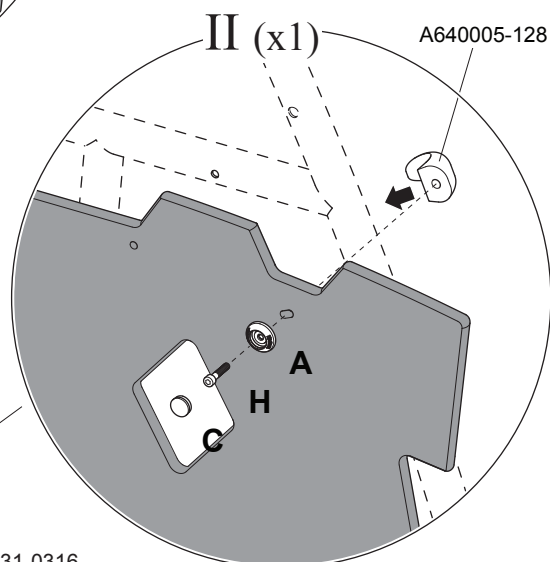


250101508040

I (x2)

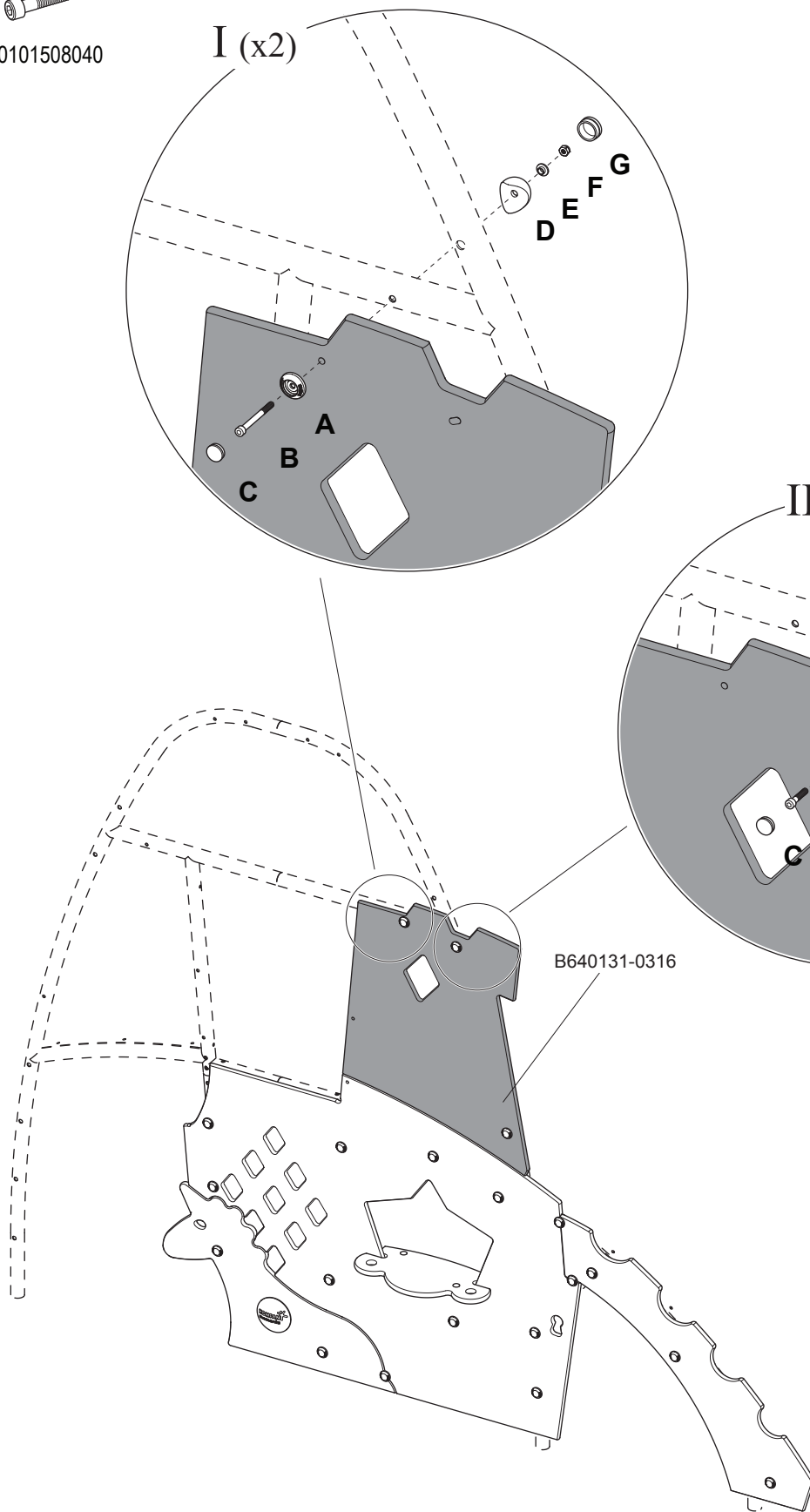


II (x1)



A640005-128

B640131-0316





A



A640007-128

B



250101508040

C



A10015-140

D



250101508030

E

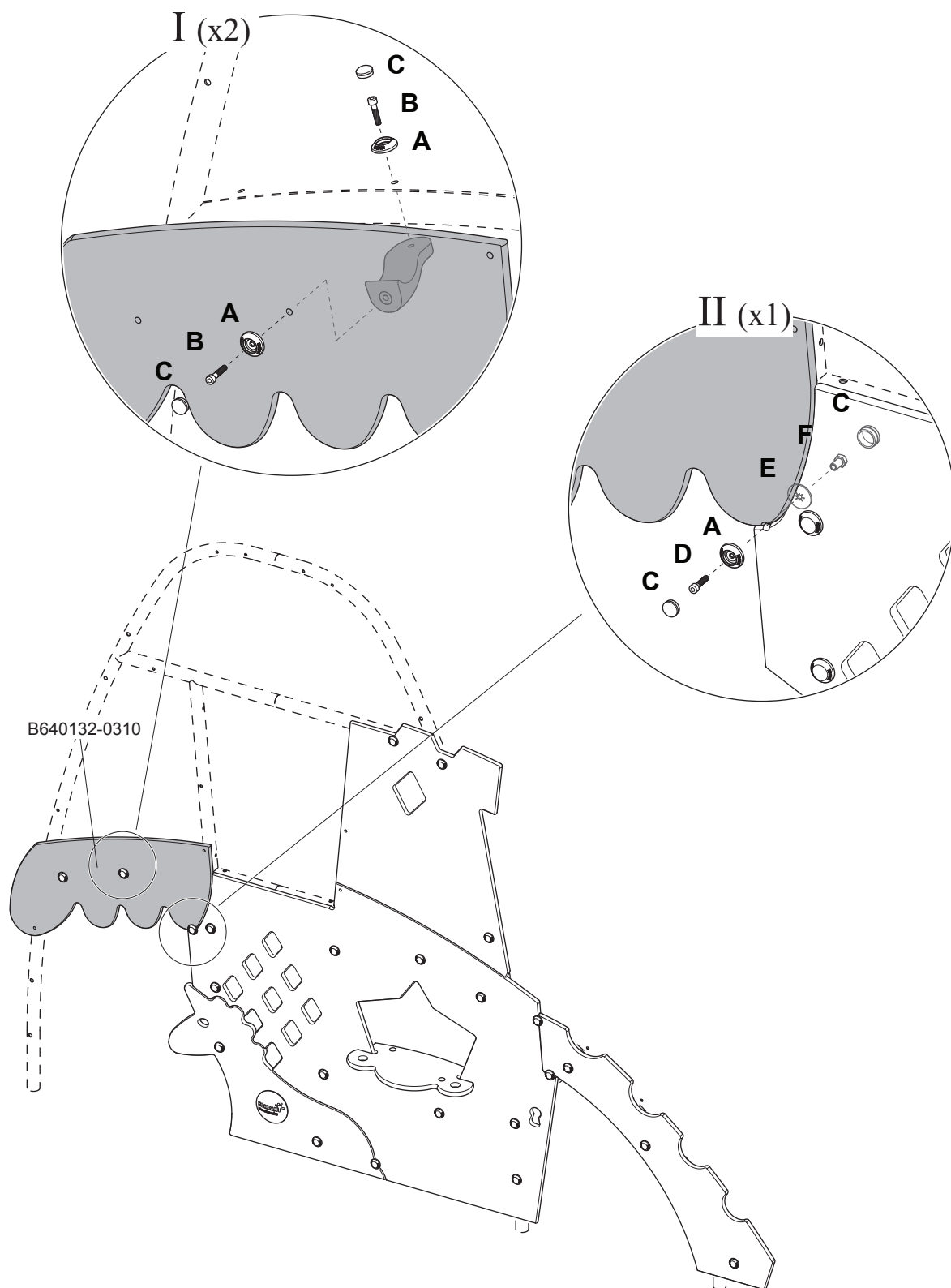


A640064-128

F



A640063-52





A



A640064-128

B



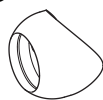
A640063-52

C



A10015-140

D



A864002-06

E

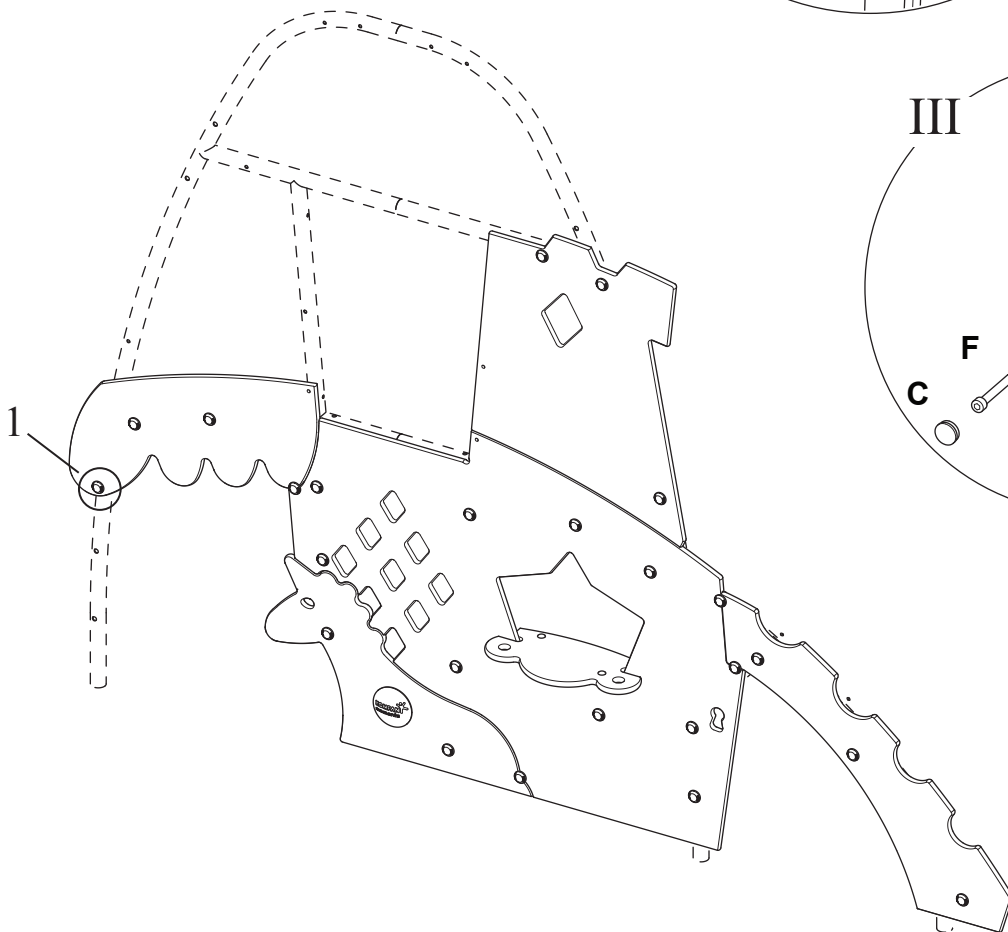
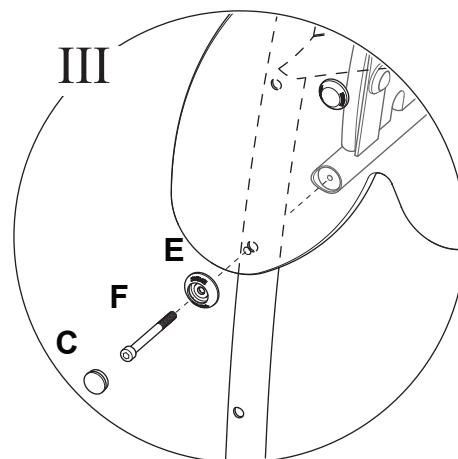
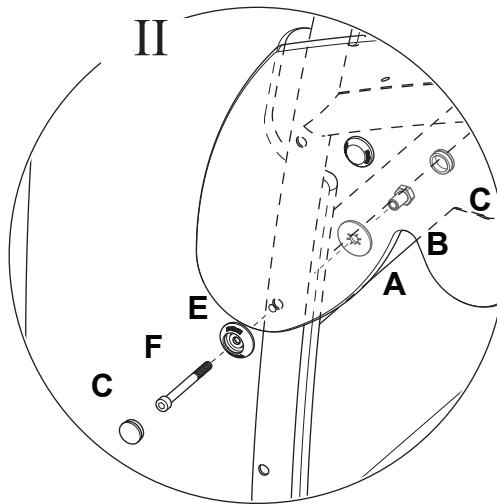
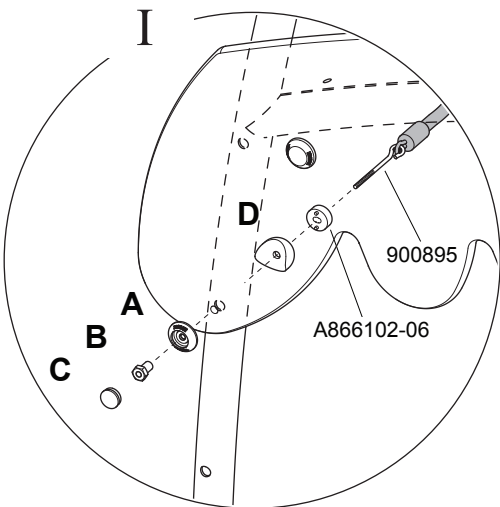


A640007-128

F









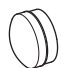
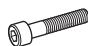
250101508090

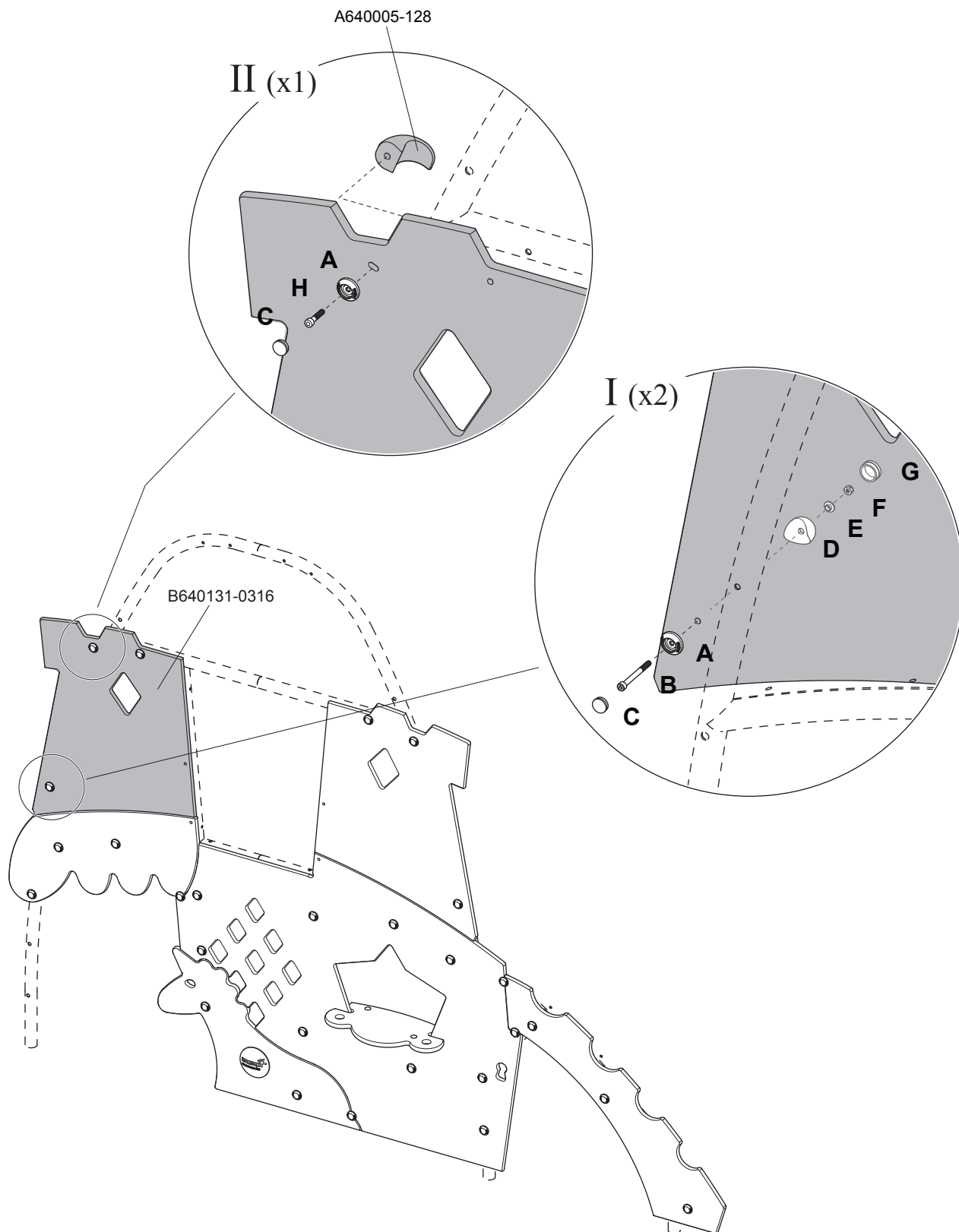


1	I	II	II	II	III	I







- A**  A640007-128
- B**  250101508090
- C**  A10015-140
- D**  A864002-06
- E**  A400278-52
- F**  400108

- G**  A10016-06
- H**  250101508040




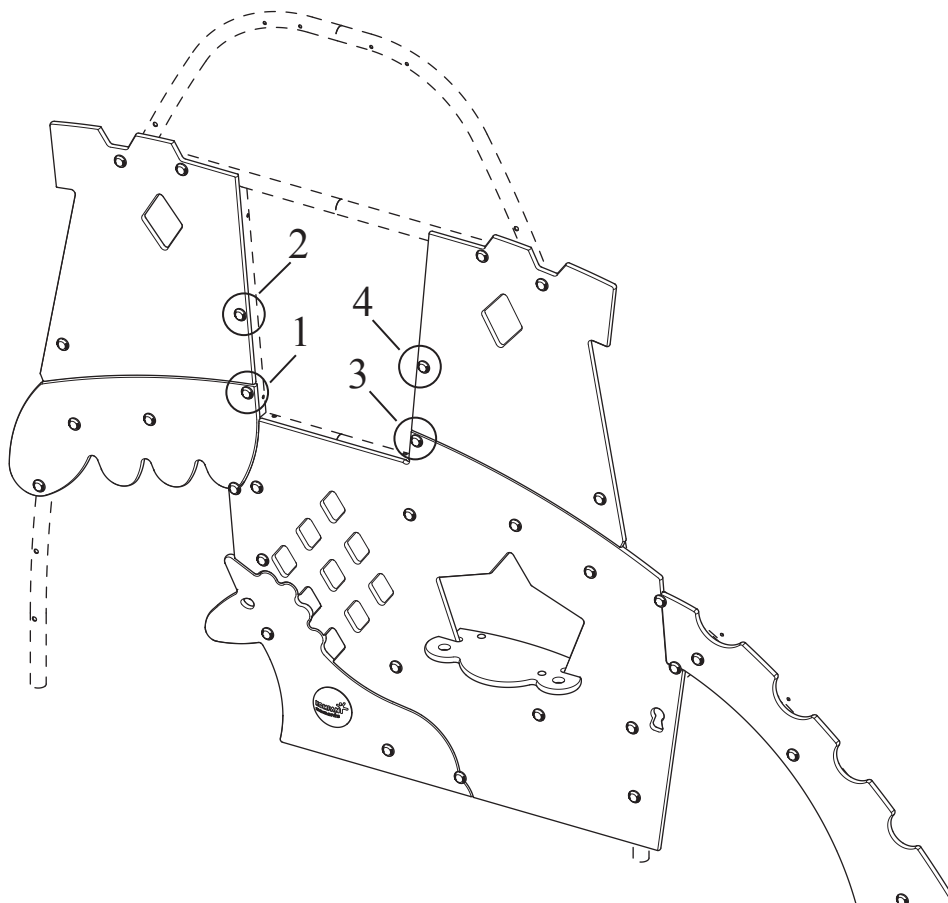
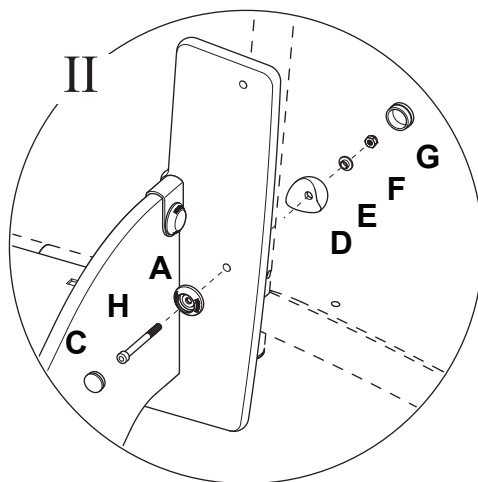
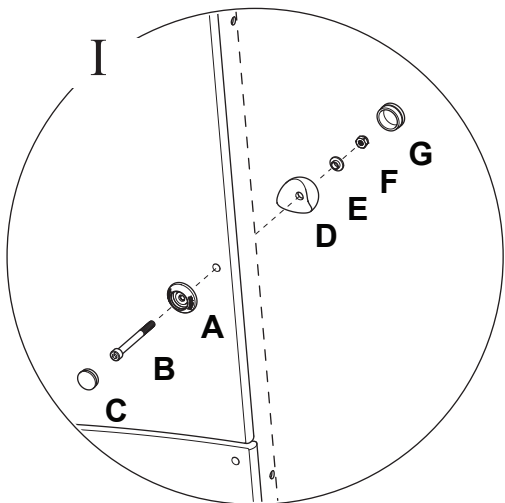







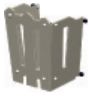


- A**

 A640007-128
- B**

 250101508090
- C**

 A10015-140
- D**

 A864002-06
- E**

 A400278-52
- F**

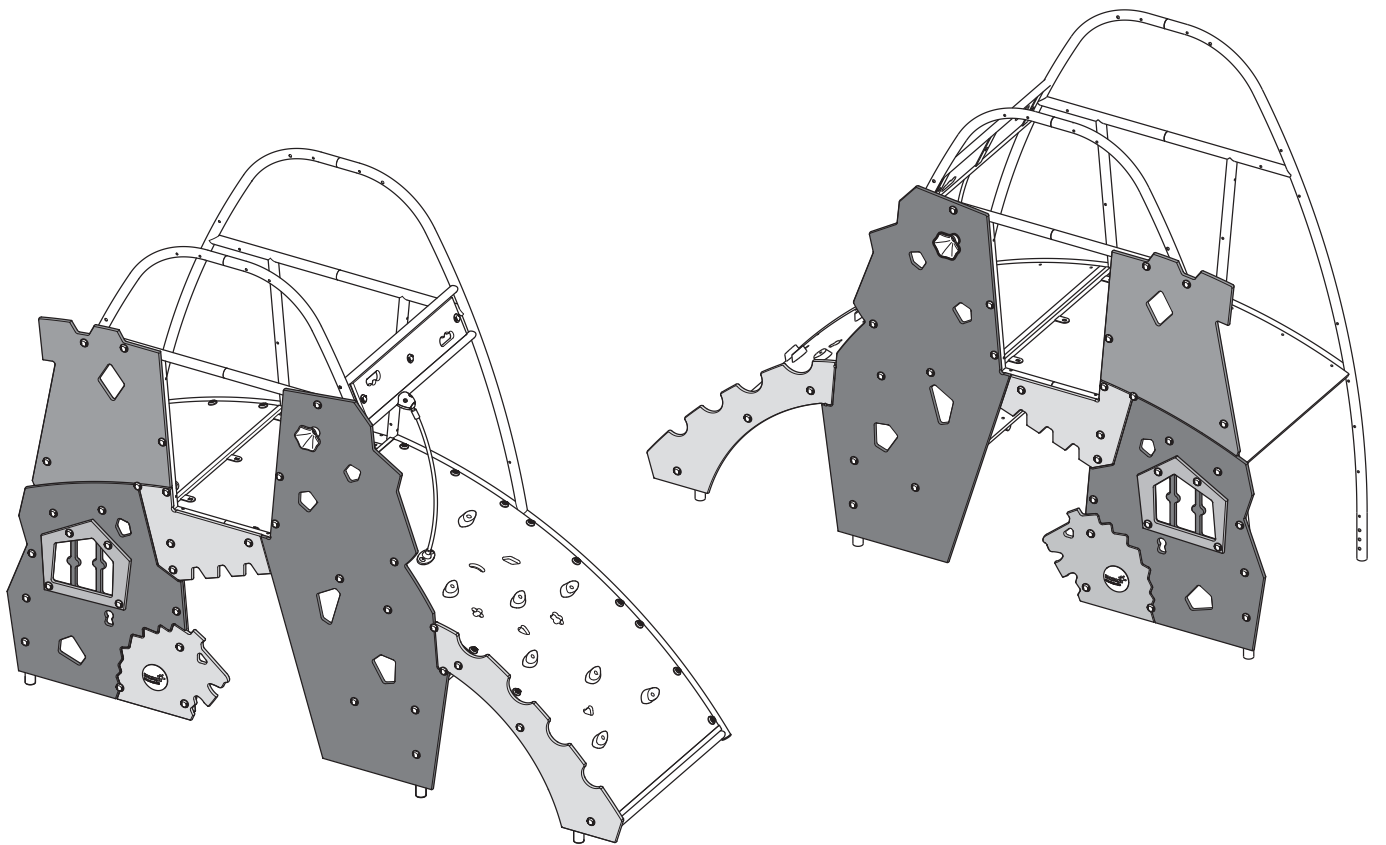
 400108
- G**

 A10016-06
- H**

 250101508110



								
1	II	II	I	I	I	I	I	I
2	II	II	I	I	I	I	I	I
3	II	II	I	I	I	I	I	I
4	II	II	I	I	I	I	I	I

VSC64570000P 20100513 AHE-Layout



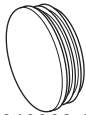


A

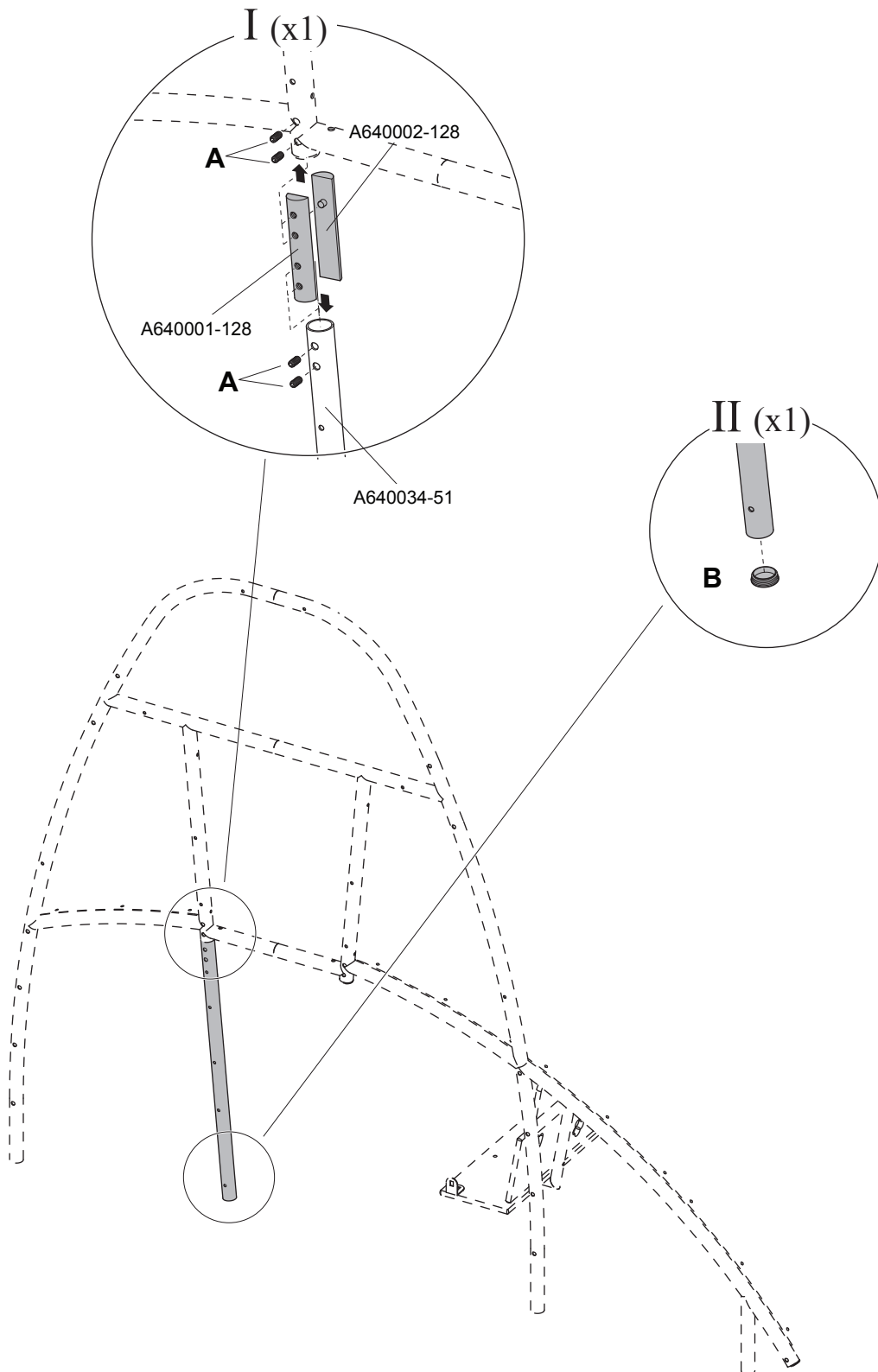


200803412025

B



A640008-06



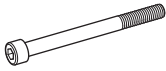


A



A640007-128

B



250101508090

C



A10015-140

D



A864002-06

E



A400278-52

F

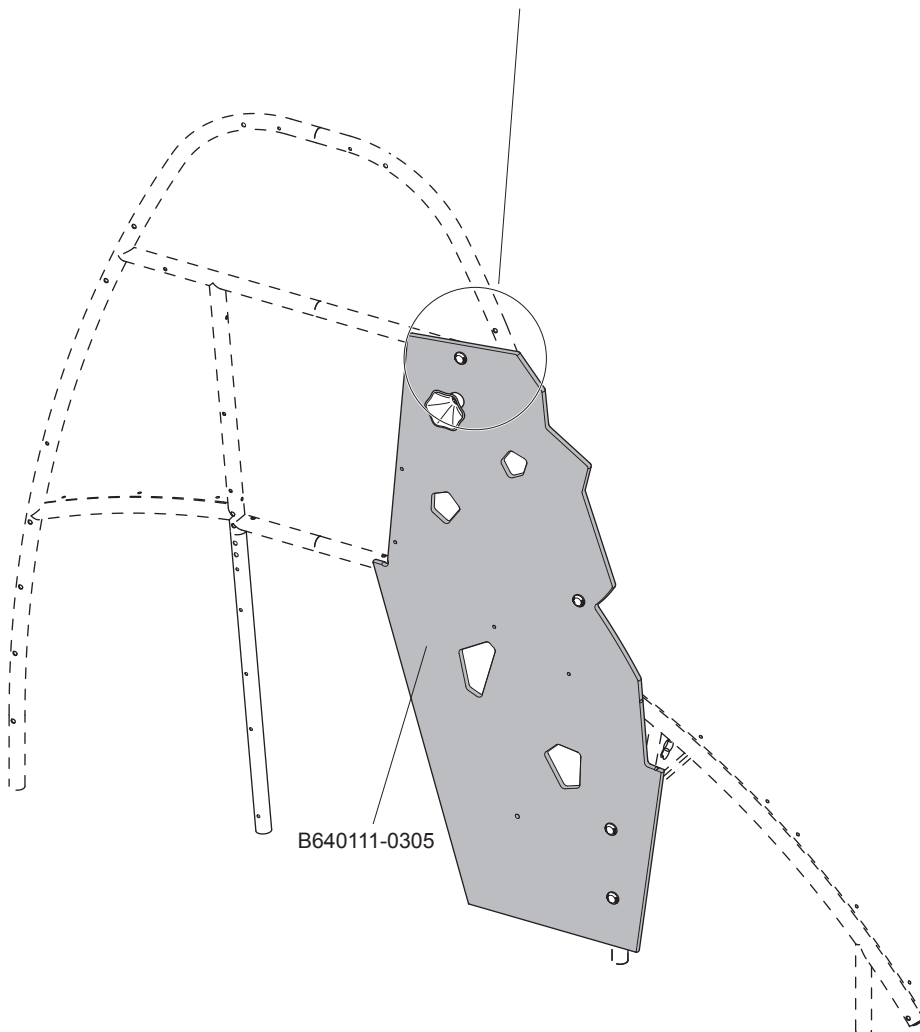
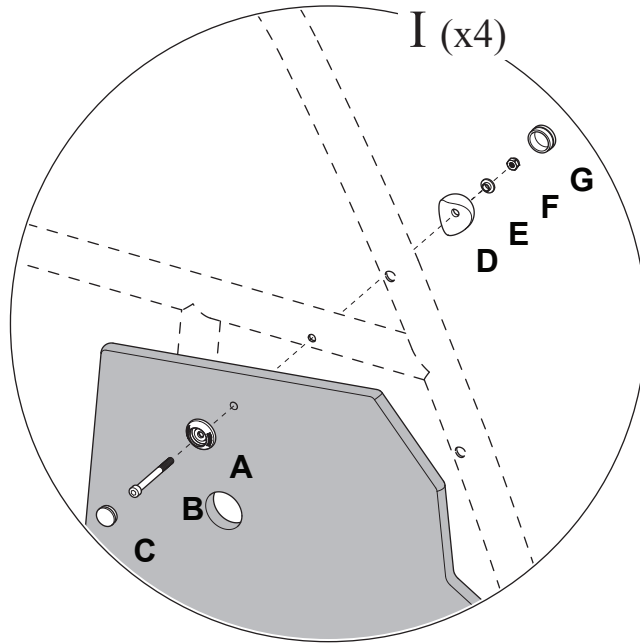


400108

G



A10016-06





A



A640007-128

B



250101508040

C



A10015-140

D



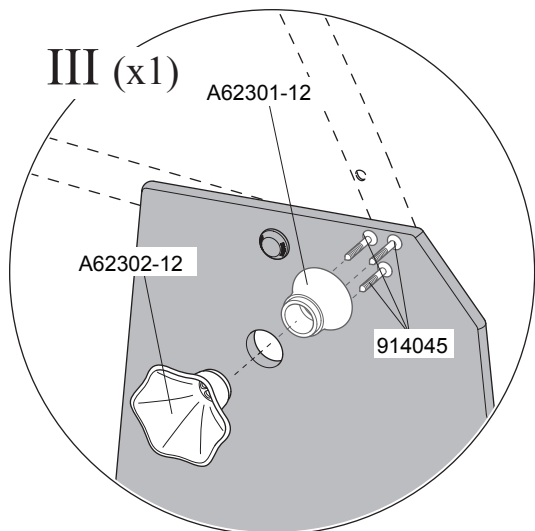
A640064-128

E

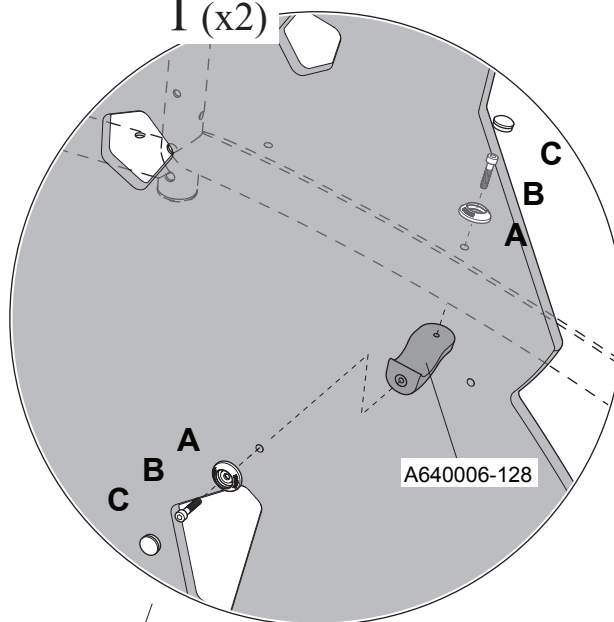


A640063-52

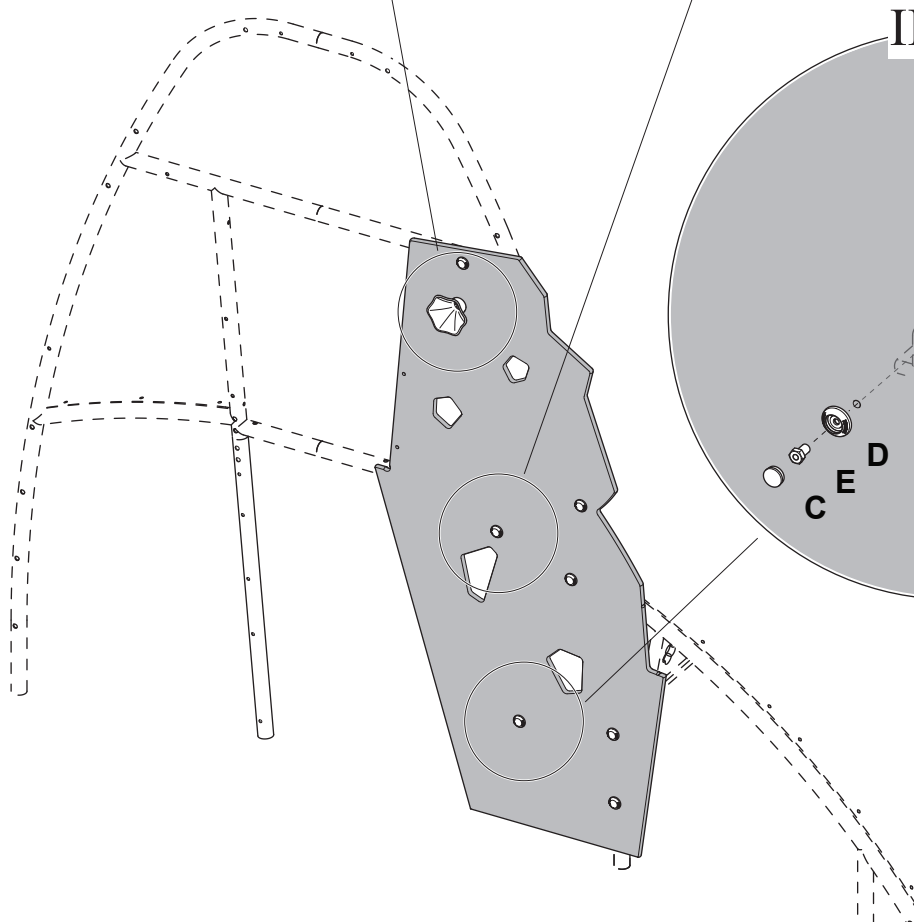
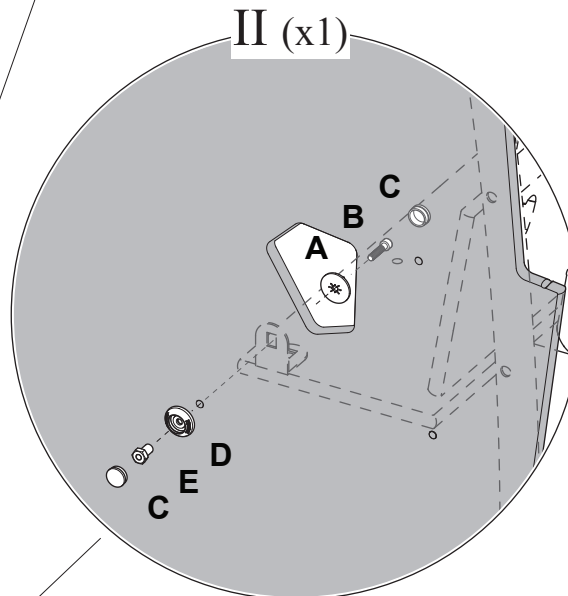
III (x1)



I (x2)



II (x1)





A



A640007-128

B



250101508040

C



A10015-140

D



250101508030

E

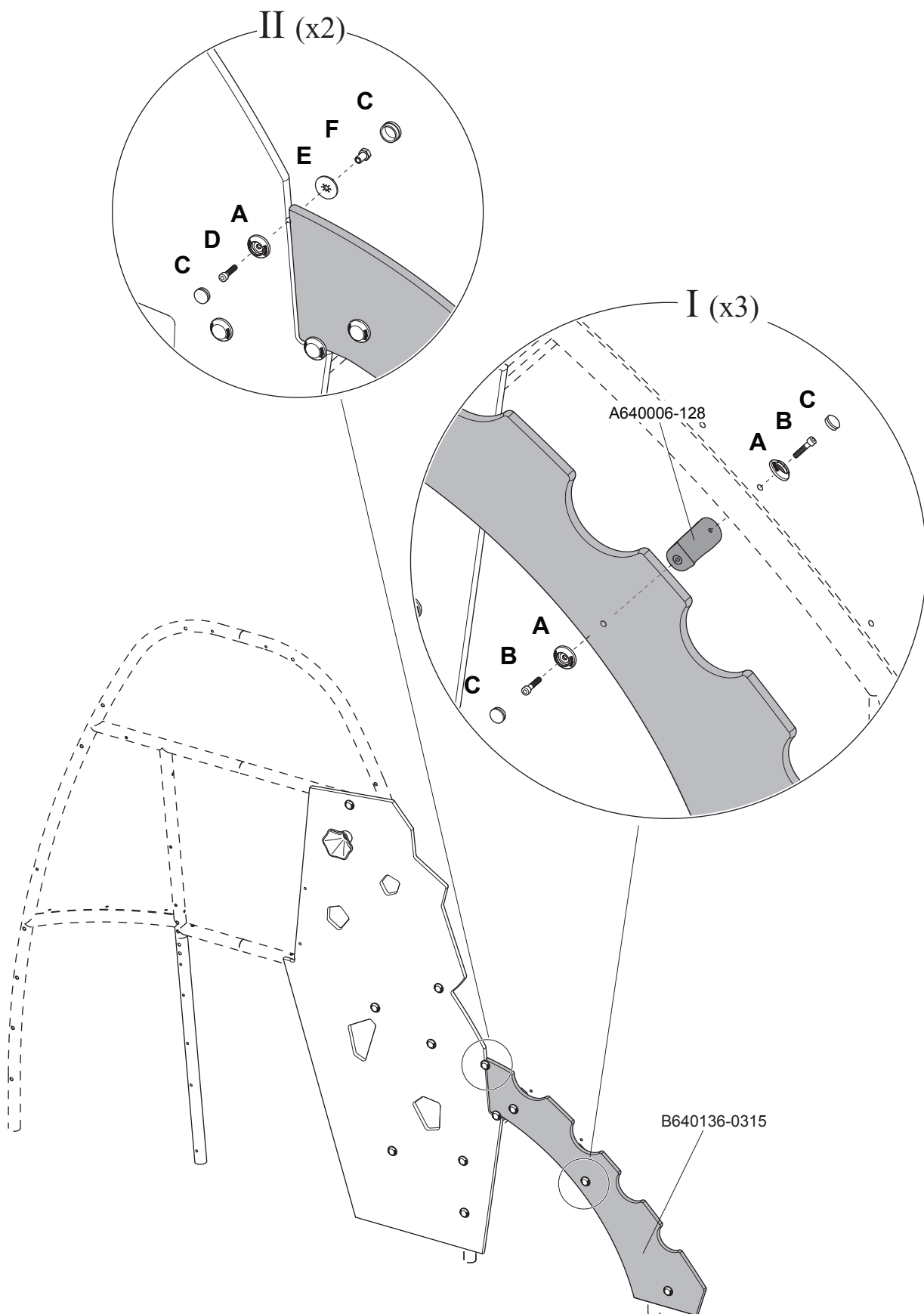


A640064-128

F



A640063-52





A



A640007-128

B



250101508090

C



A10015-140

D



A864002-06

E



A400278-52

F

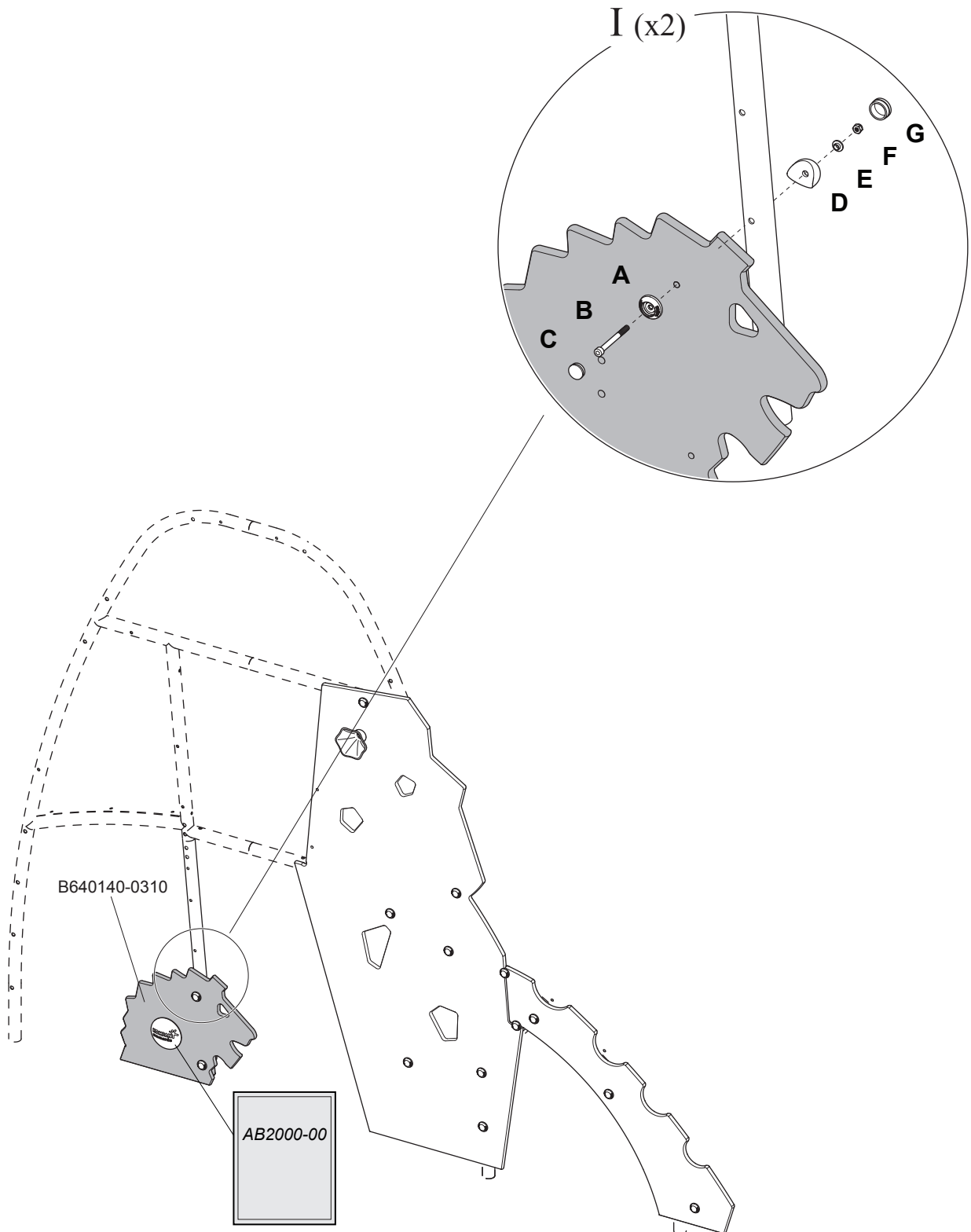


400108

G



A10016-06








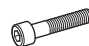
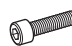




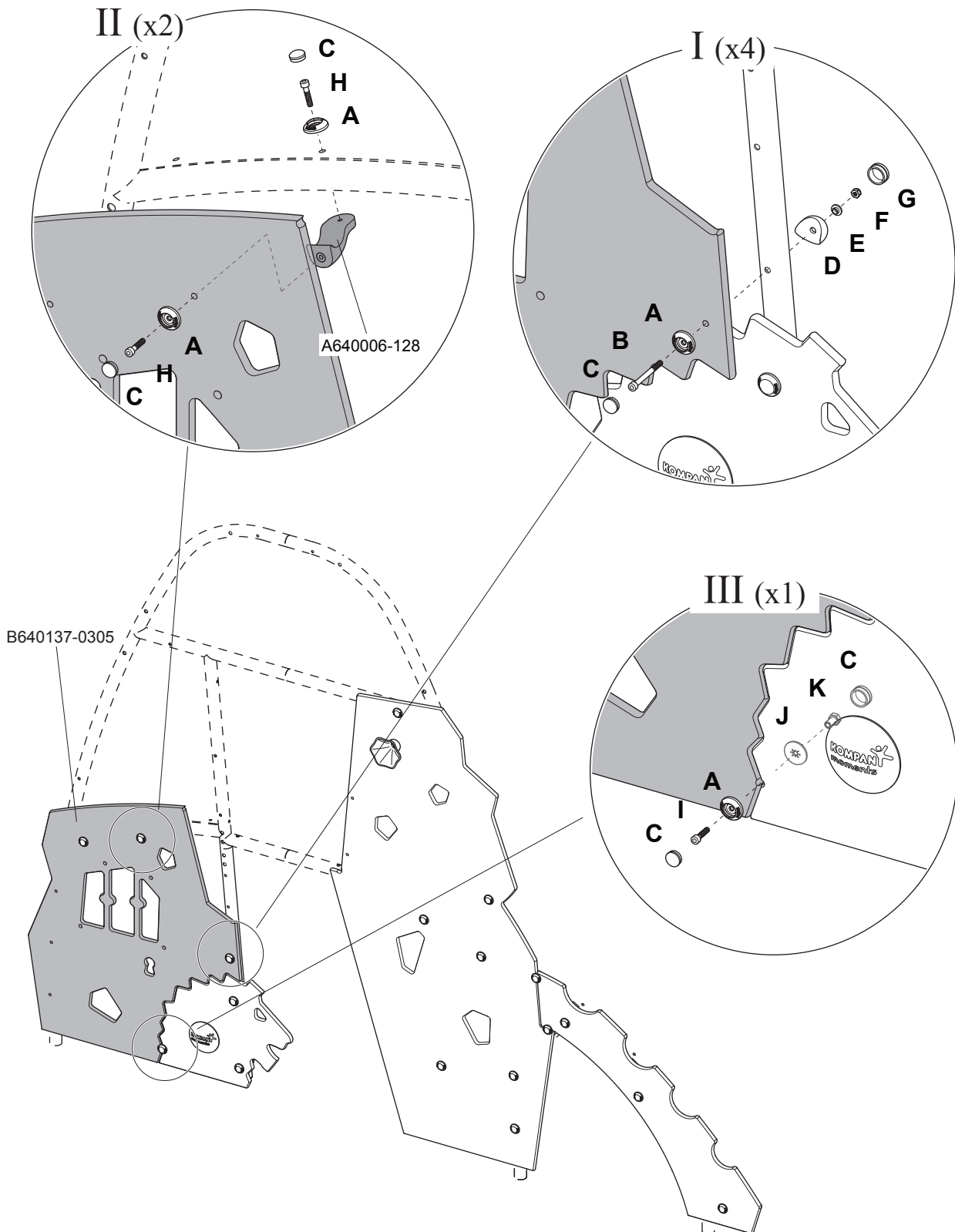
B640140-0310

AB2000-00

VSC6458000P 20100513 AHE-Layout



- | | | | | | | |
|---|---|--|---|---|---|--|
| A

A640007-128 | B

250101508090 | C

A10015-140 | D

A864002-06 | E

A400278-52 | F

400108 | G

A10016-06 |
| H

250101508040 | I

250101508030 | J

A640064-128 | K

A640063-52 | | | |





- A**

 A640064-128
- B**

 A640063-52
- C**

 A10015-140
- D**

 A864002-06
- E**

 A640007-128
- F**

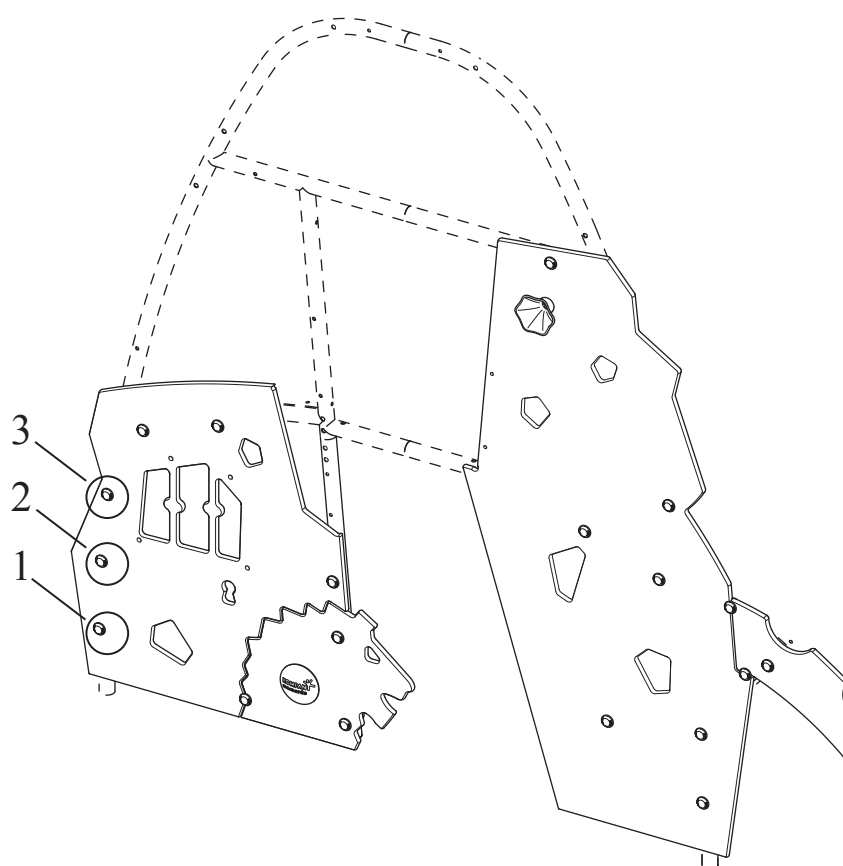
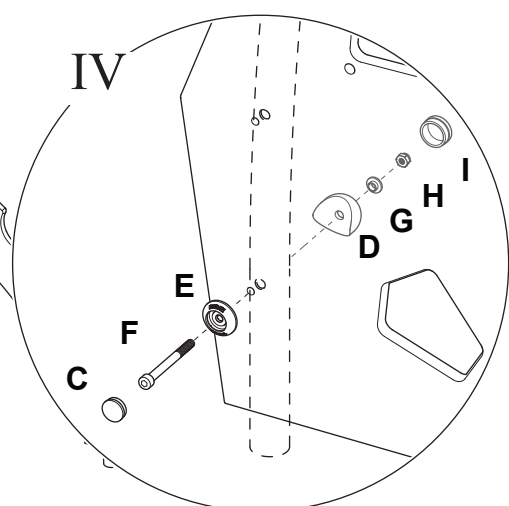
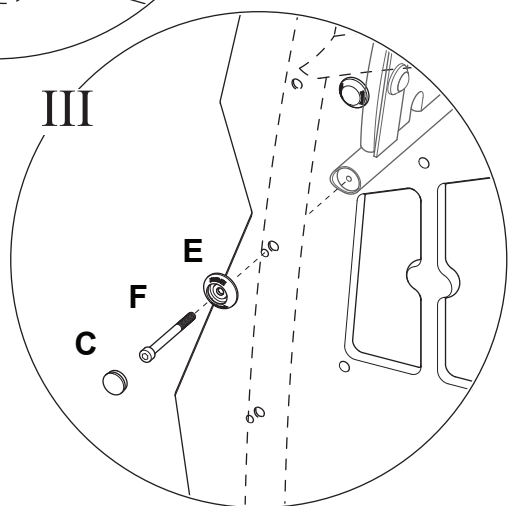
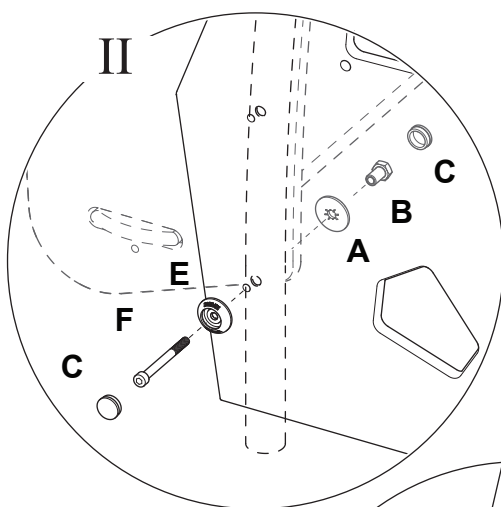
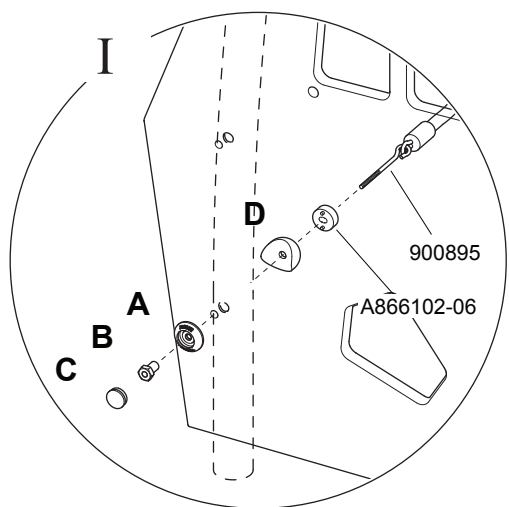
 250101508090
- G**




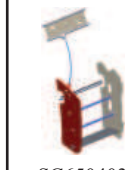


 A400278-52
- H**

 400108

- I**

 A10016-06



						
1	I	II	II	II	IV	I
2	I	II	II	II	IV	I
3	I	II	II	II	III	I



A



A640007-128

B



250101508040

C



A10015-140

D



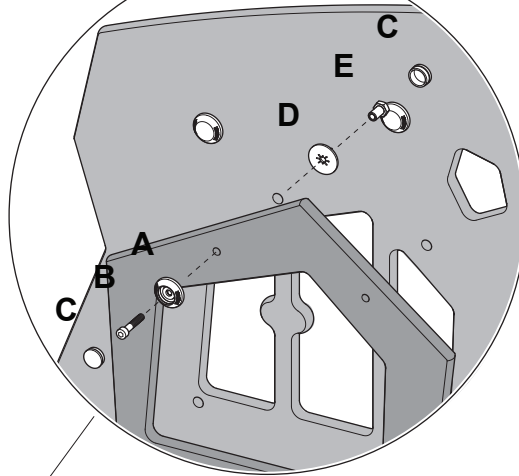
A640064-128

E

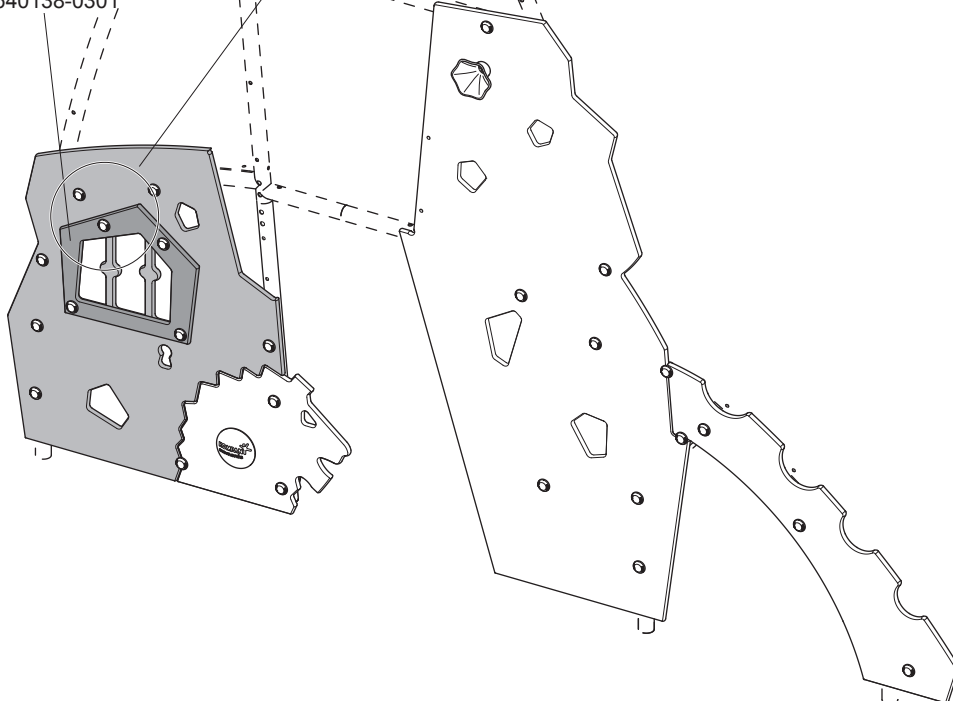


A640063-52







I (x4)

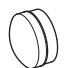
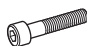


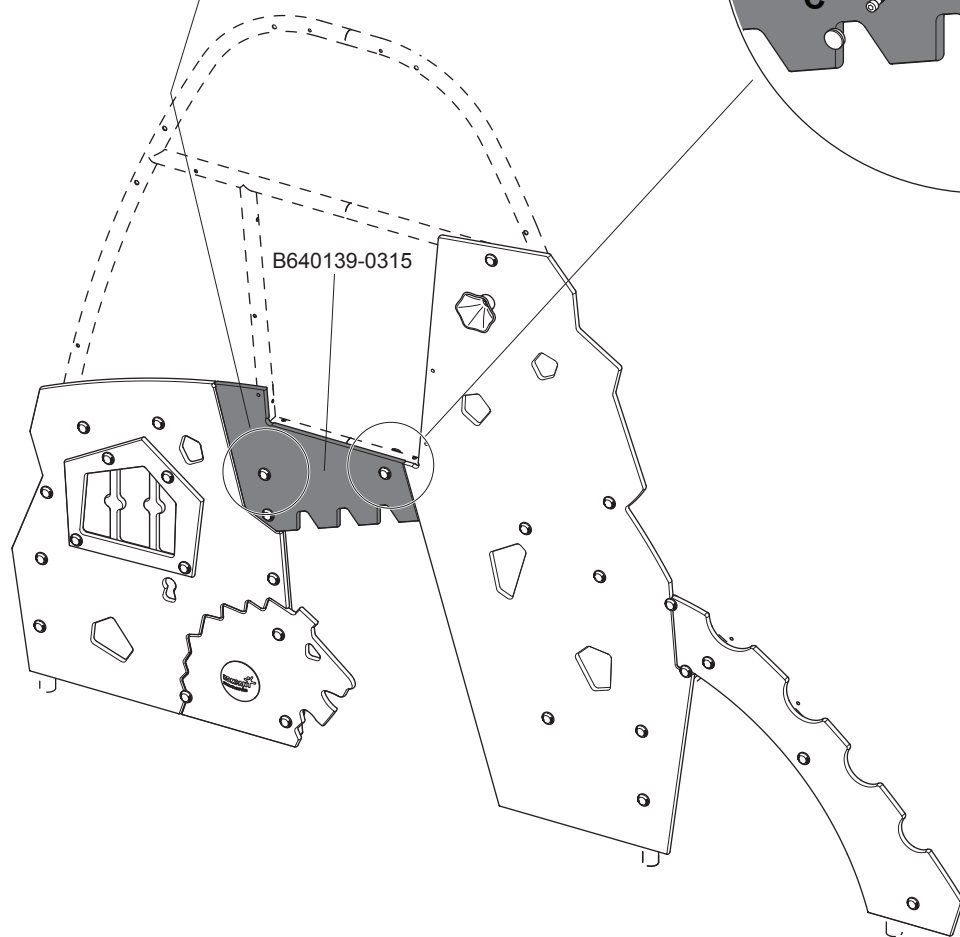
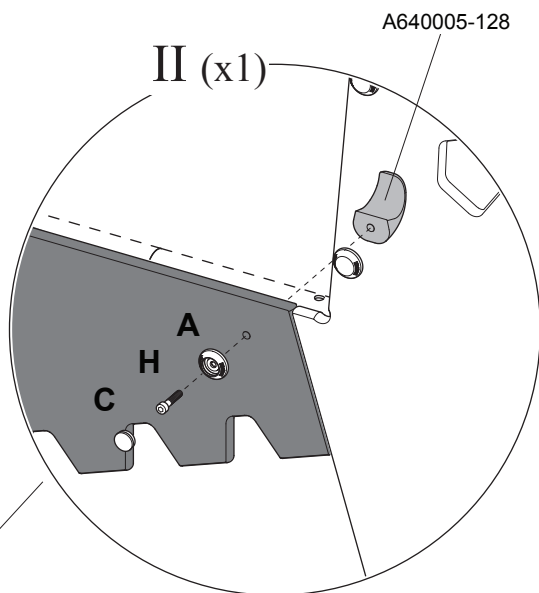
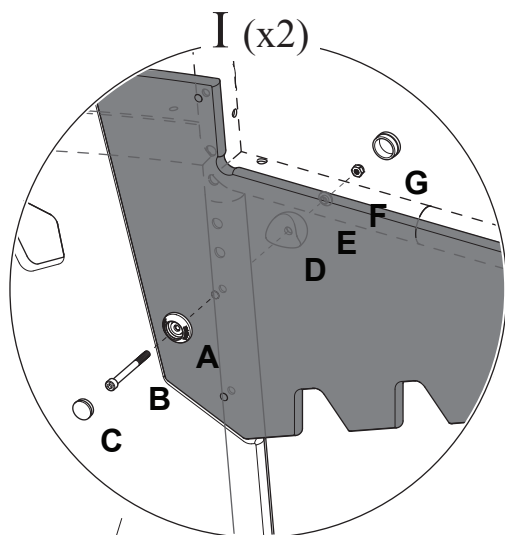
B640138-0301





- A**  A640007-128
- B**  250101508090
- C**  A10015-140
- D**  A864002-06
- E**  A400278-52
- F**  400108

- G**  A10016-06
- H**  250101508040





- | | | | | | | |
|------------------------------|------------------------------|-----------------------------|----------------------------|----------------------------|------------------------|---------------------------|
| A

A640007-128 | B

250101508090 | C

A10015-140 | D

A864002-06 | E

A400278-52 | F

400108 | G

A10016-06 |
| H

250101508040 | I

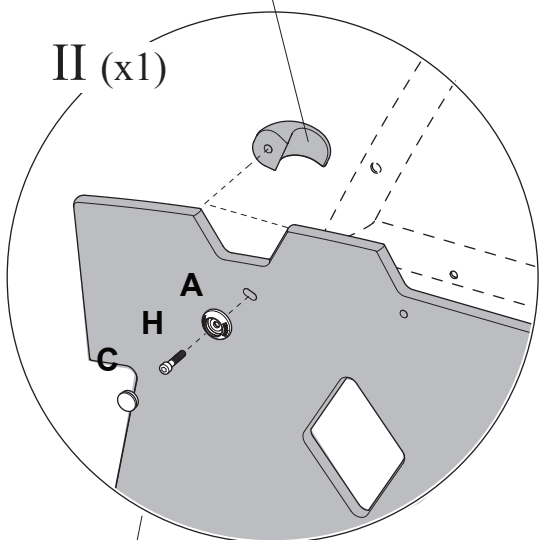
250101508030 | J

A640064-128 | K

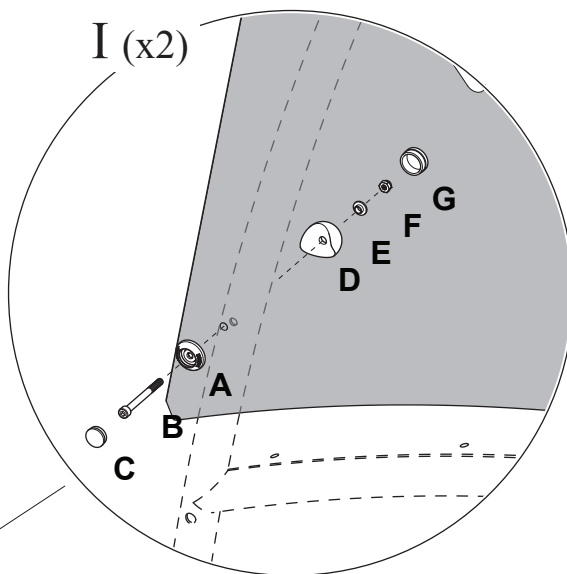
A640063-52 | | | |

A640005-128

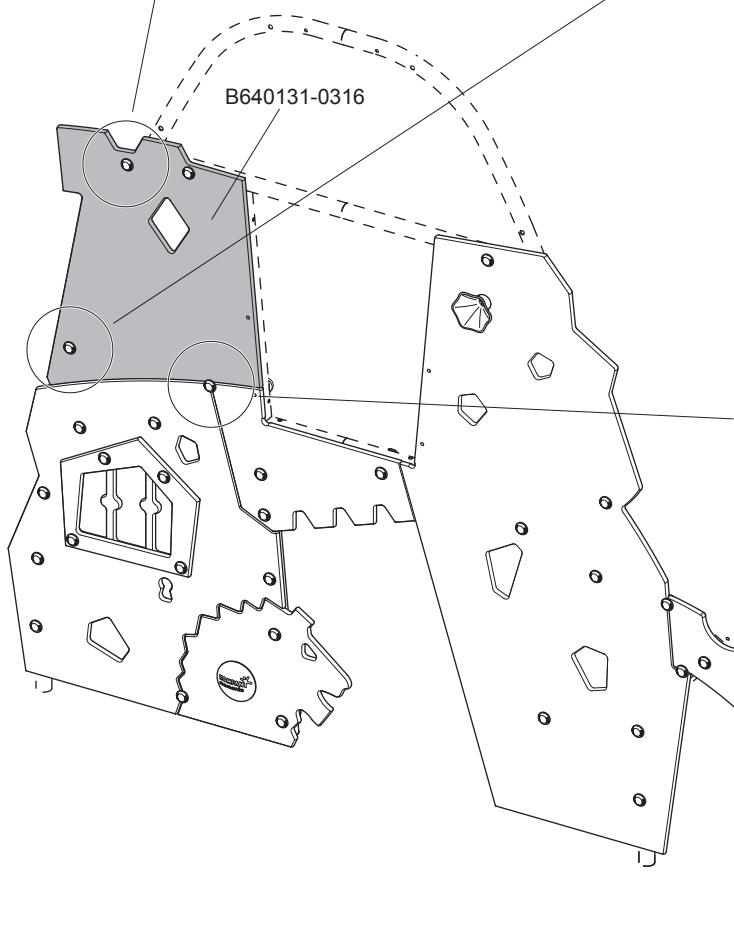
II (x1)



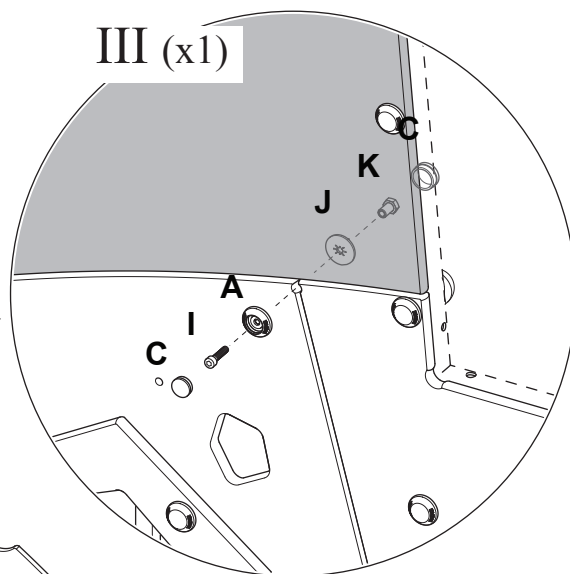
I (x2)




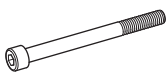
B640131-0316

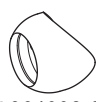


III (x1)





- A**

 A640007-128
- B**

 250101508090
- C**

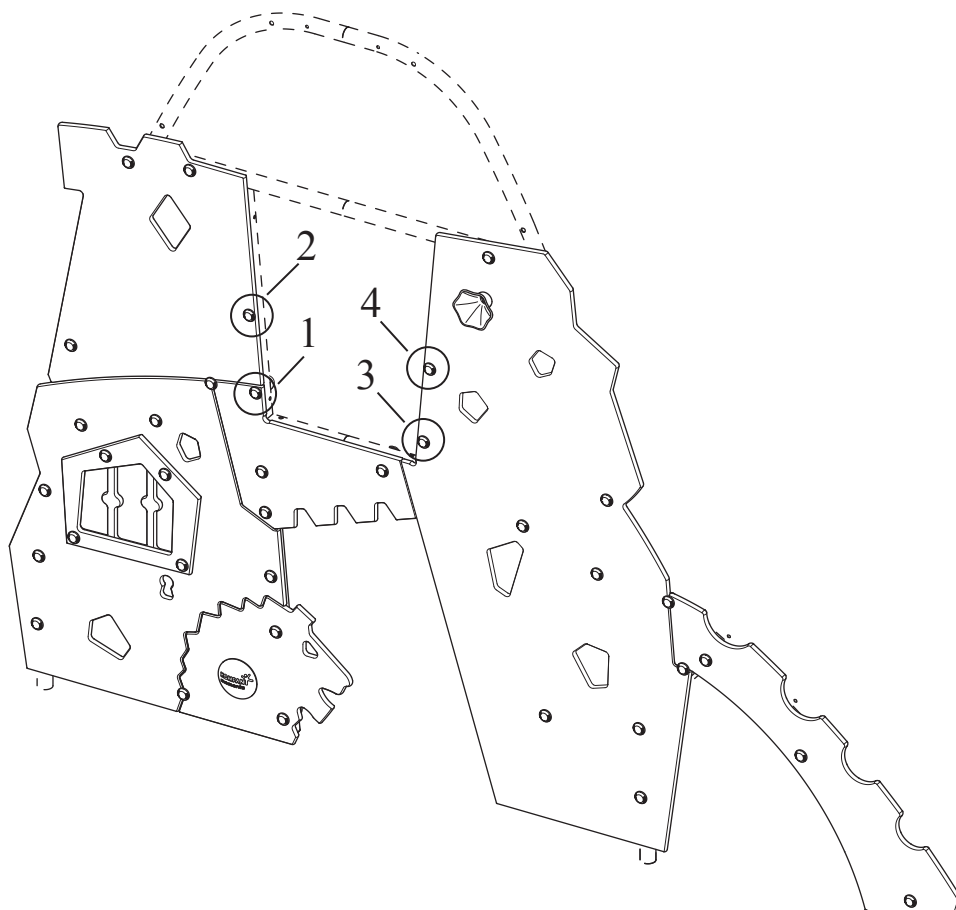
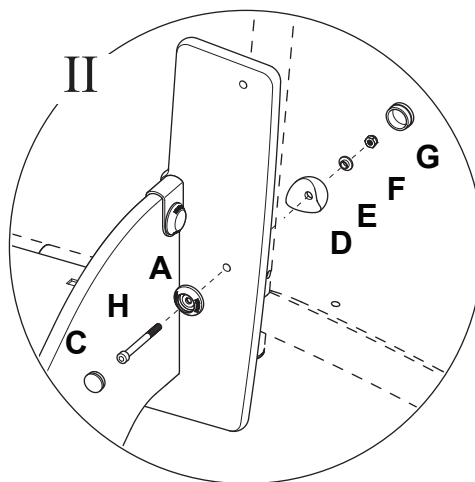
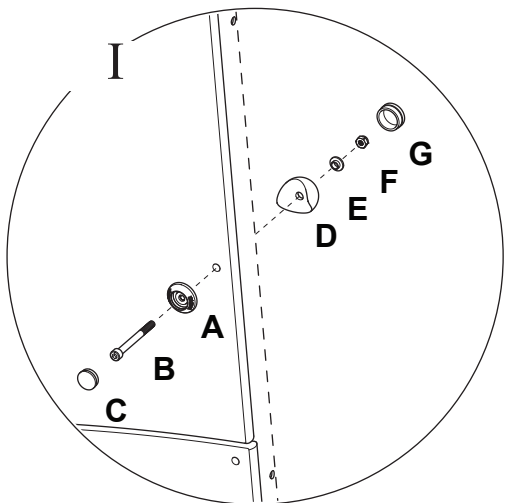
 A10015-140
- D**

 A864002-06
- E**









 A400278-52
- F**

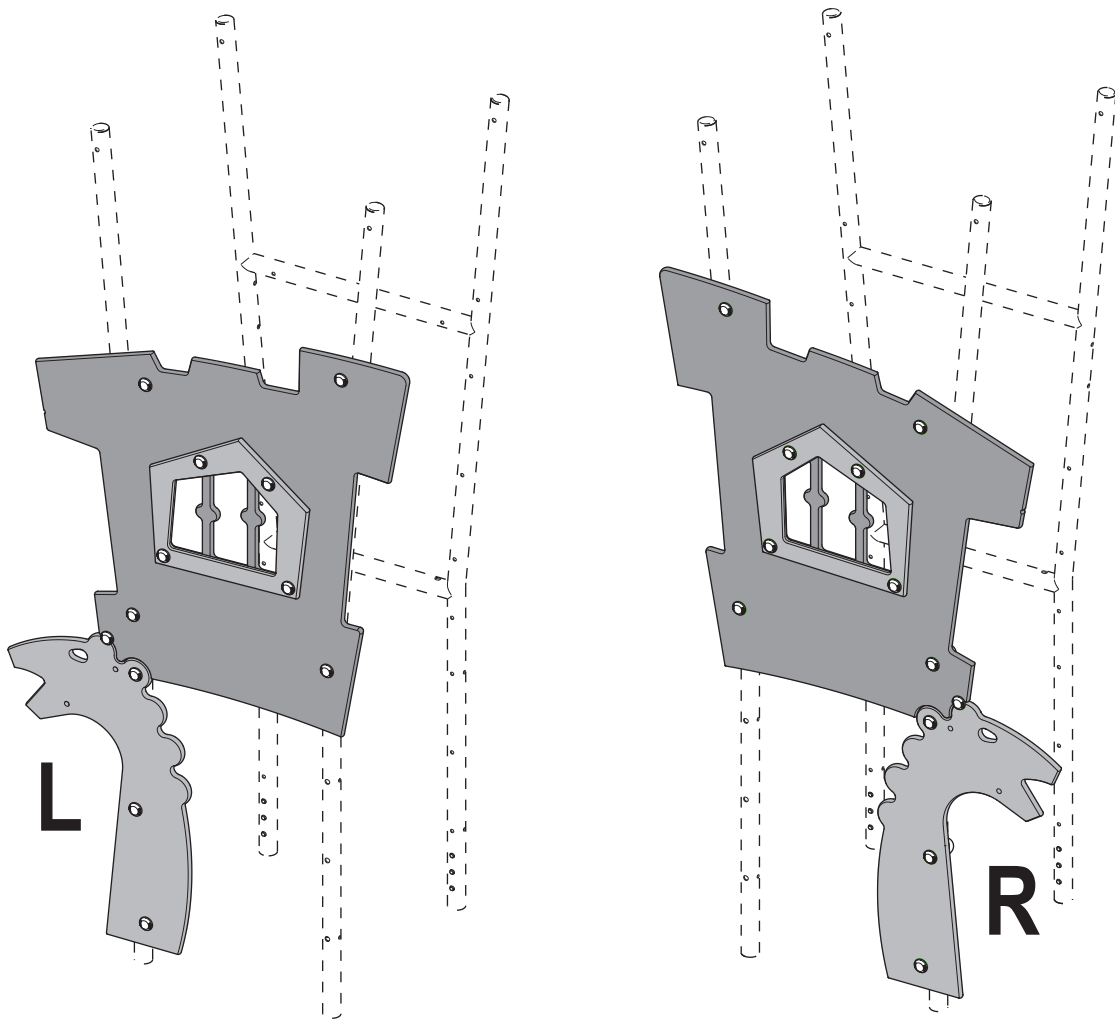
 400108
- G**

 A10016-06
- H**

 250101508110



								
	SC646803	SC6470003	SC648003	SC648103	SC656000	SC656100	SC652600	SC652700
1	II	II	I	I	I	I	I	I
2	II	II	I	I	I	I	I	I
3	II	II	I	I	I	I	I	I
4	II	II	I	I	I	I	I	I



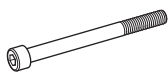


A



A640007-128

B



250101508090

C



A10015-140

D



A864002-06

E



A400278-52

F



400108

G

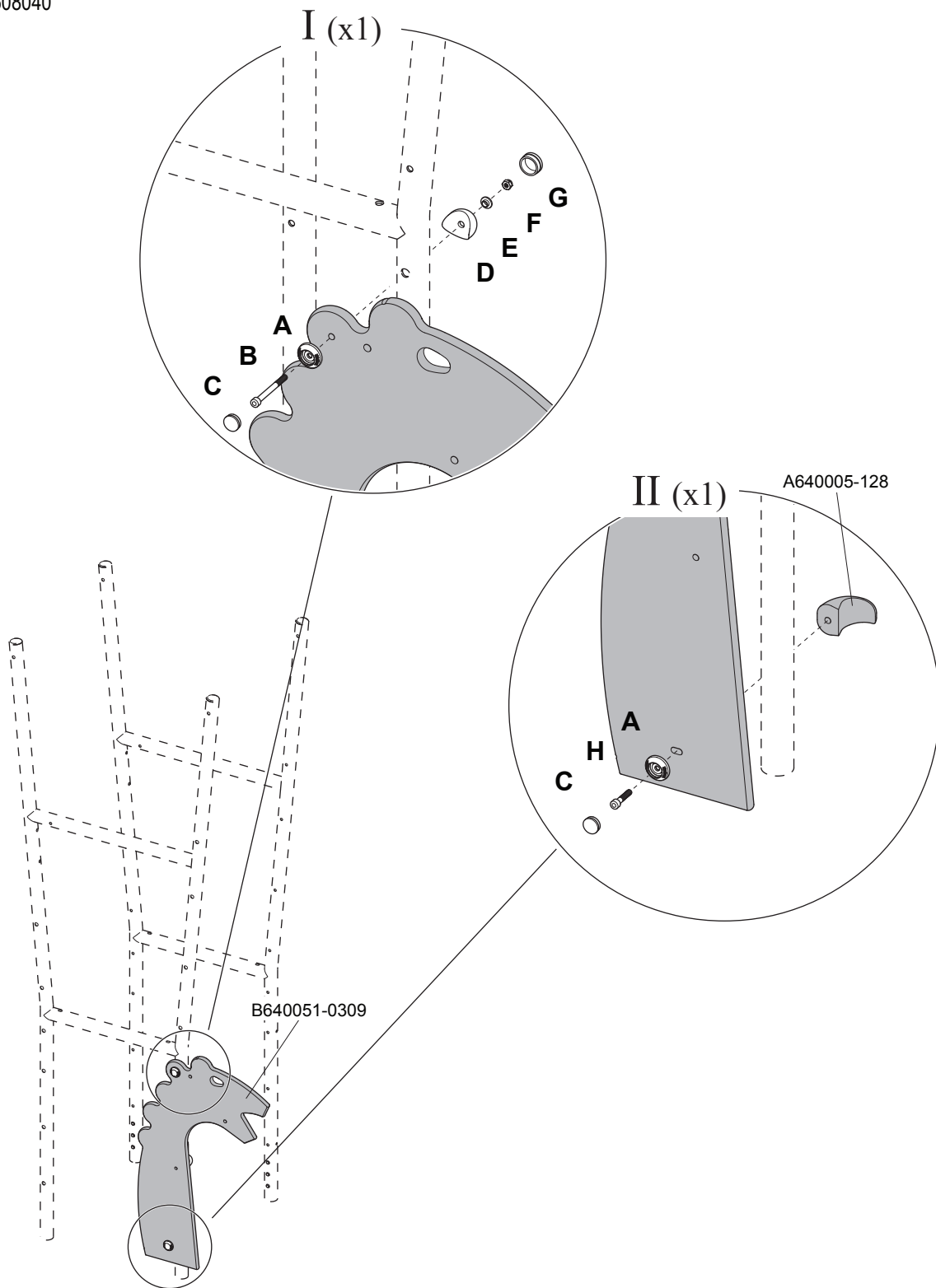


A10016-06

H



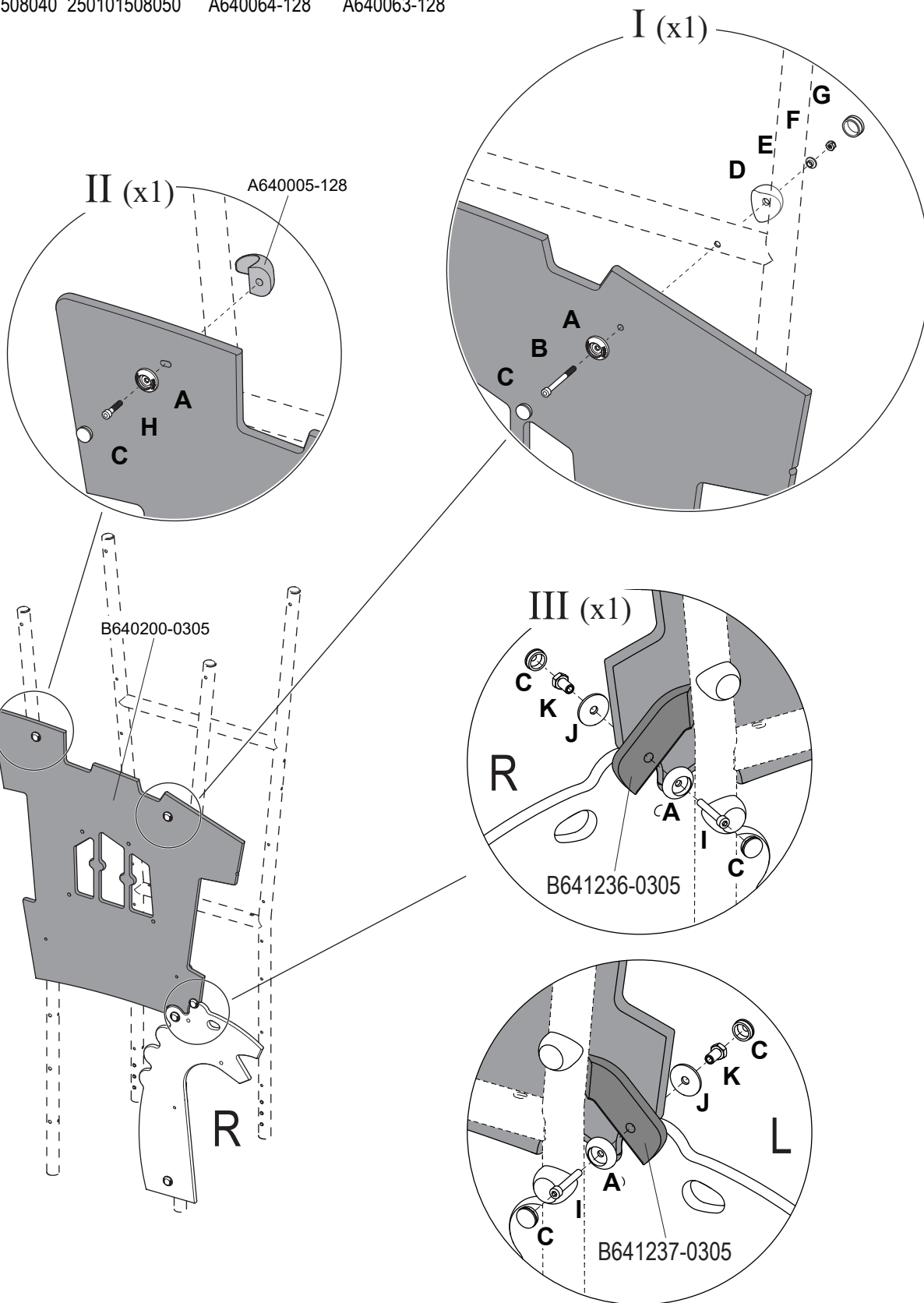
250101508040





- A** A640007-128
- B** 250101508090
- C** A10015-188
- D** A864002-06
- E** A400278-52
- F** 400108
- G** A10016-06

- H** 250101508040
- I** 250101508050
- J** A640064-128
- K** A640063-128





A



A640007-128

B



250101508040

C



A10015-140

D

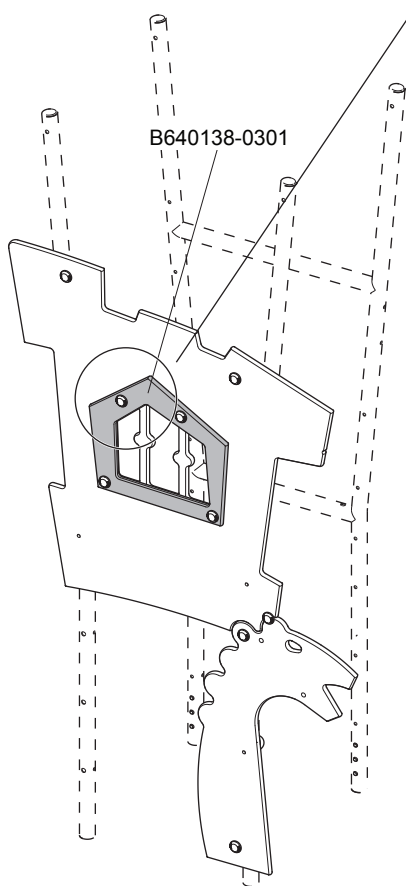
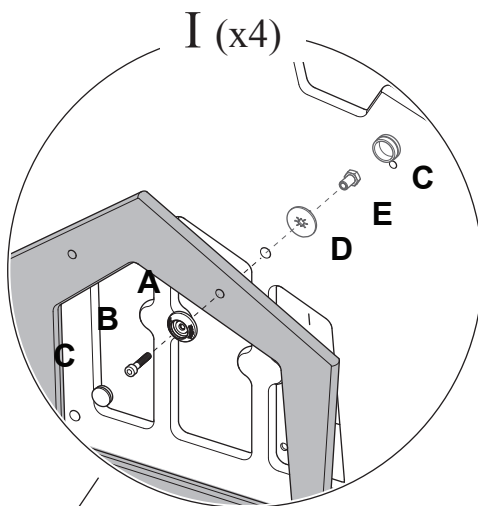


A640064-128

E




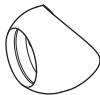






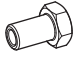
A640063-52

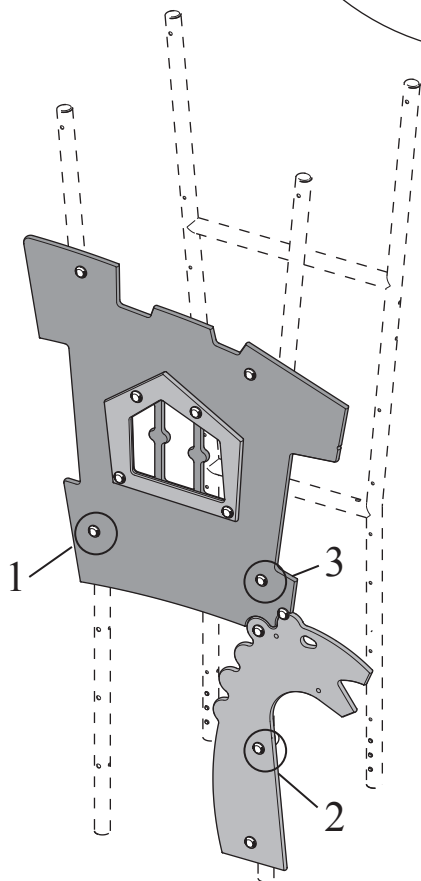
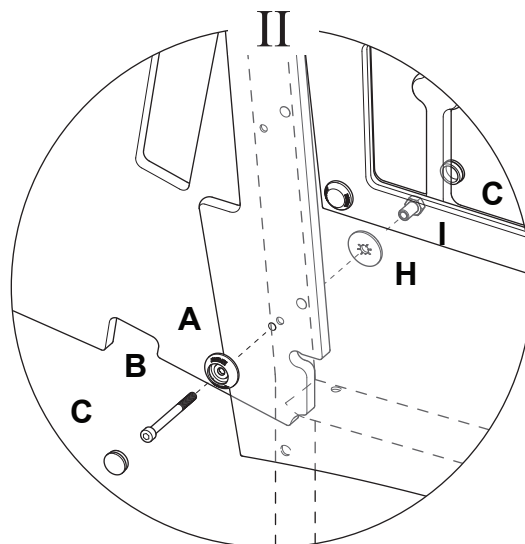
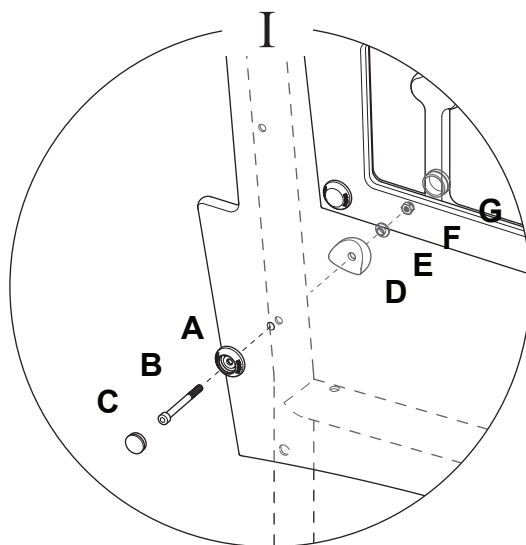







B640138-0301

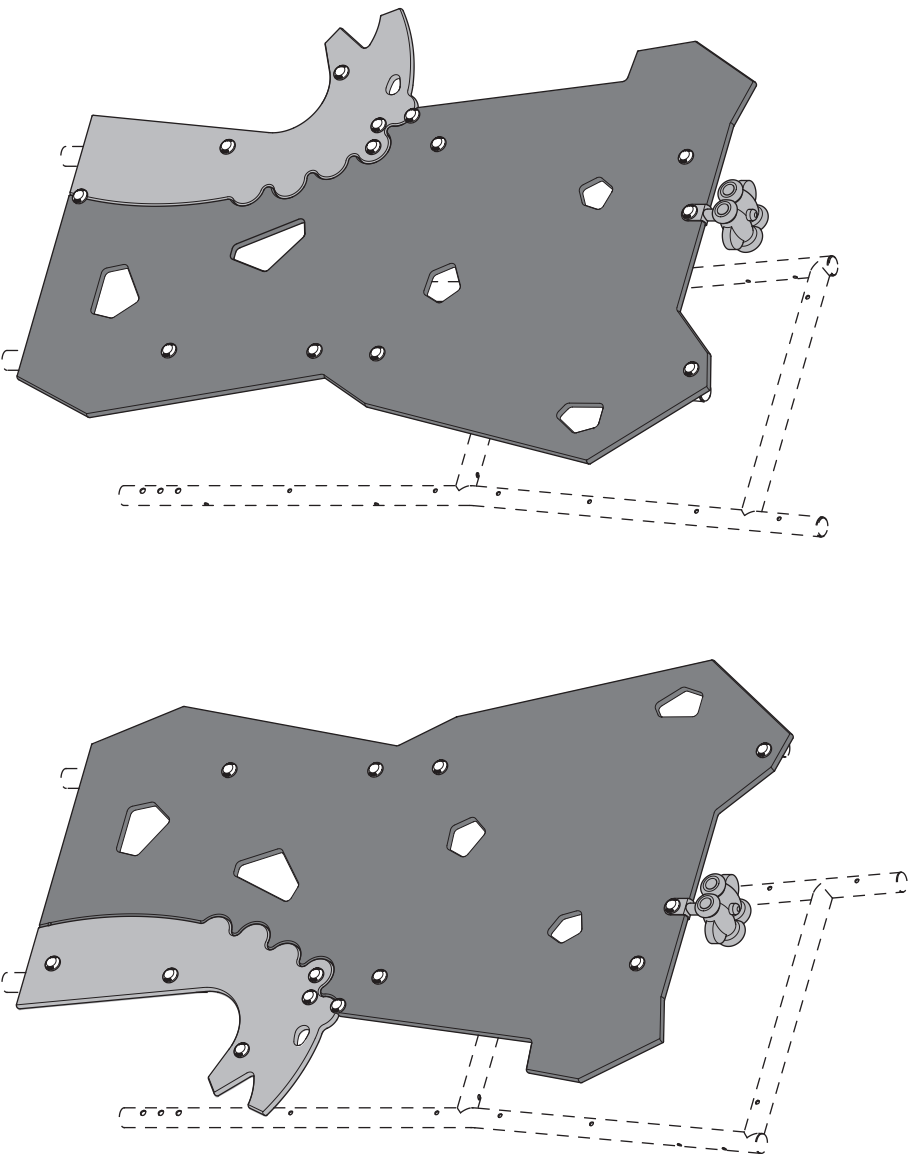


- A**

 A640007-128
- B**

 250101508090
- C**

 A10015-140
- D**

 A864002-06
- E**

 A400278-52
- F**

 400108
- G**

 A10016-06




- H**

 A640064-128
- I**

 A640063-52

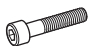



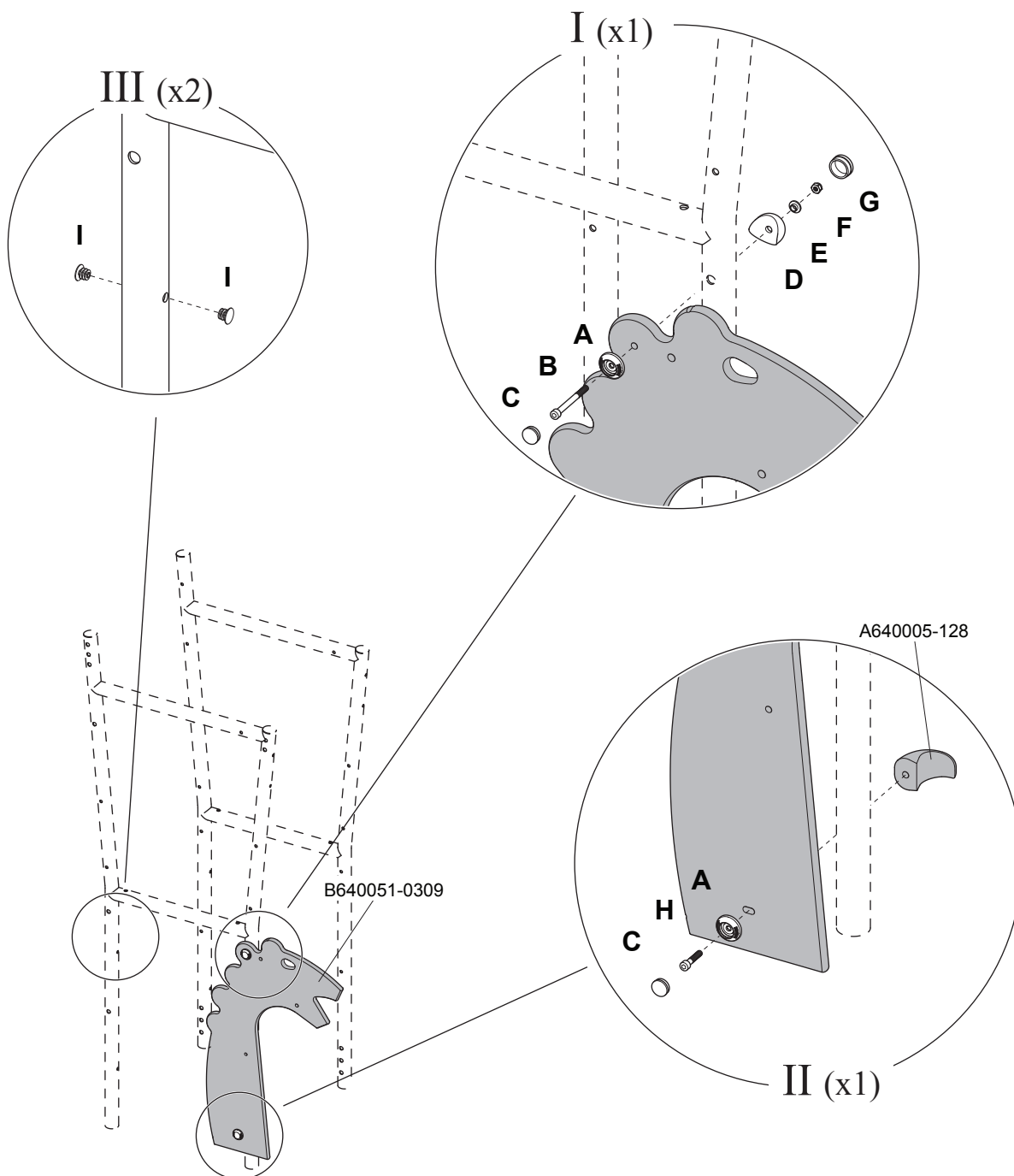
					
	SC652000	SC652100	SC652600	SC652700	SC653000
1	I	I	II	II	II
2	I	I	I	I	I
3	I	I	I	I	I











- A**  A640007-128
- B**  250101508090
- C**  A10015-140
- D**  A864002-06
- E**  A400278
- F**  400108
- G**  A10016-06

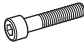



- H**  250101508040
- I**  A640009-06

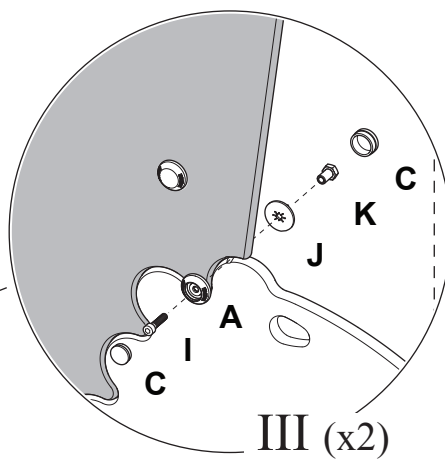
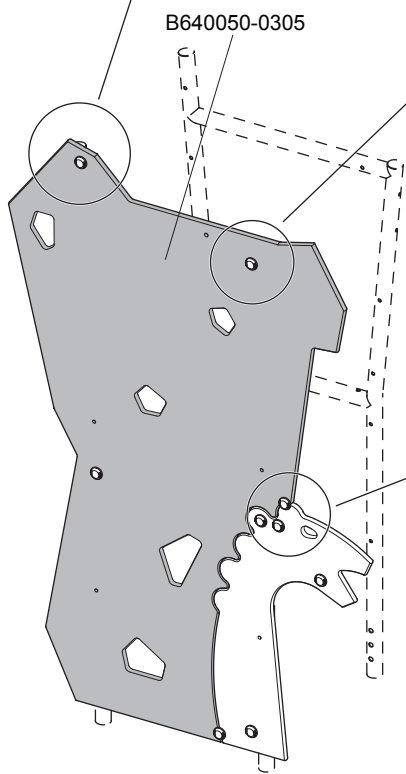
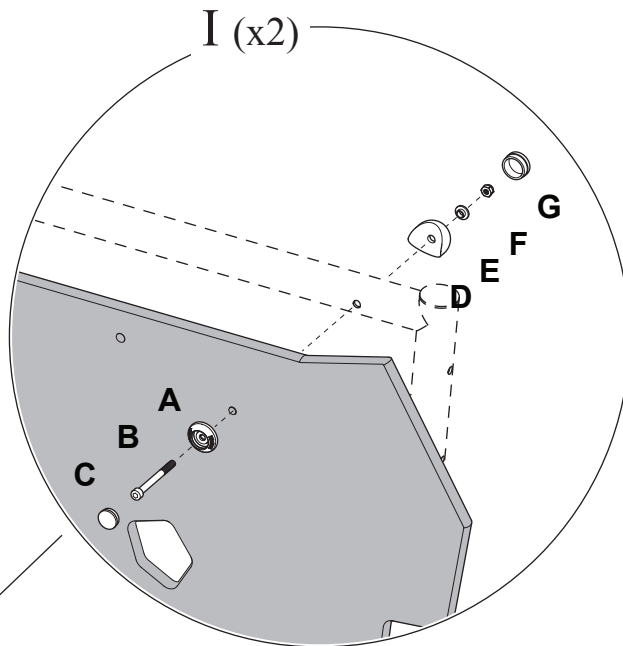
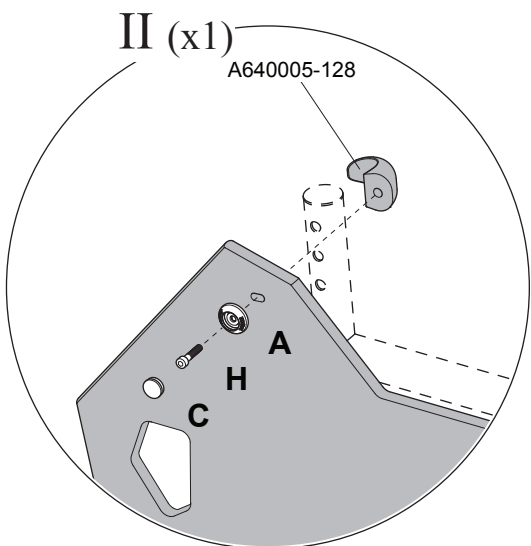





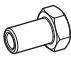

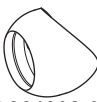



- A**

A640007-128
- B**



250101508090
- C**

A10015-140
- D**

A864002-06
- E**

A400278
- F**

400108
- G**

A10016-06

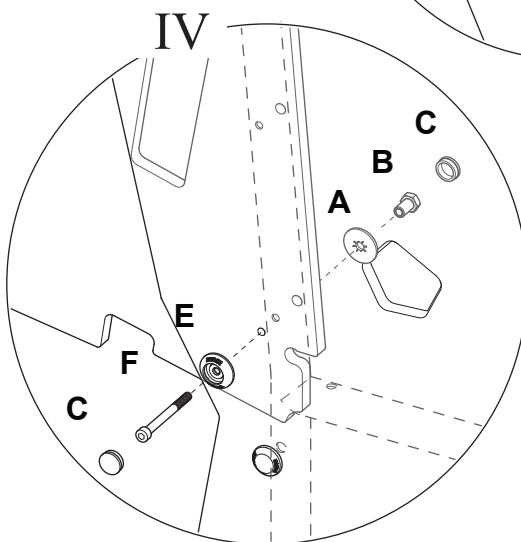
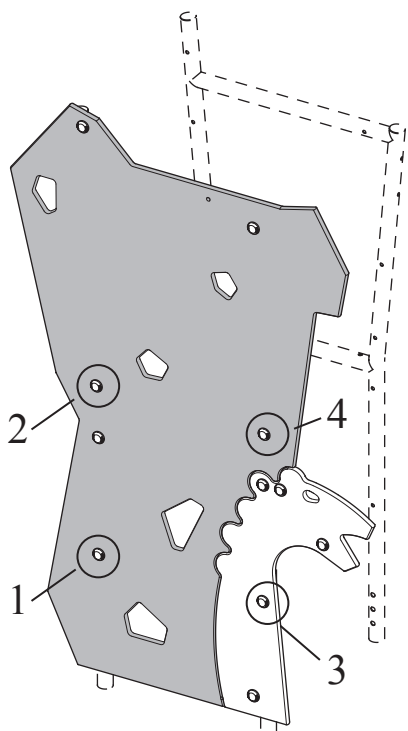
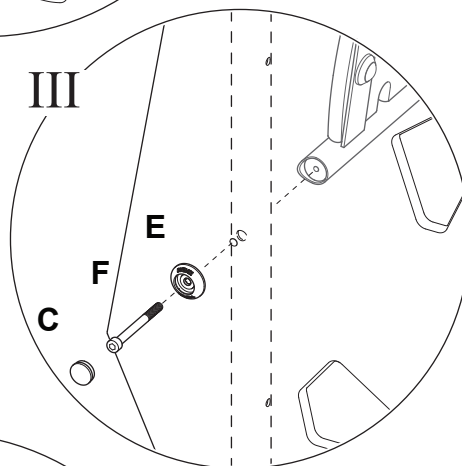
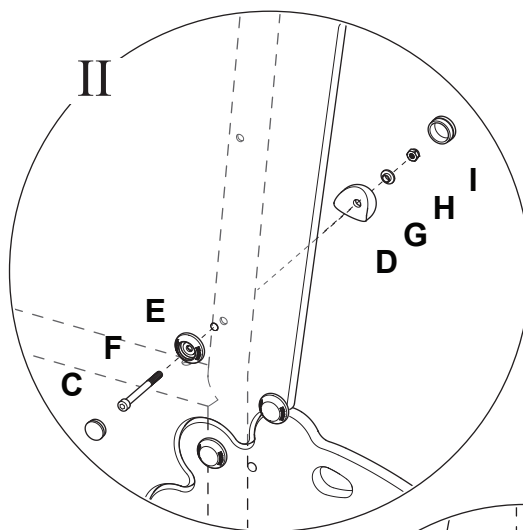
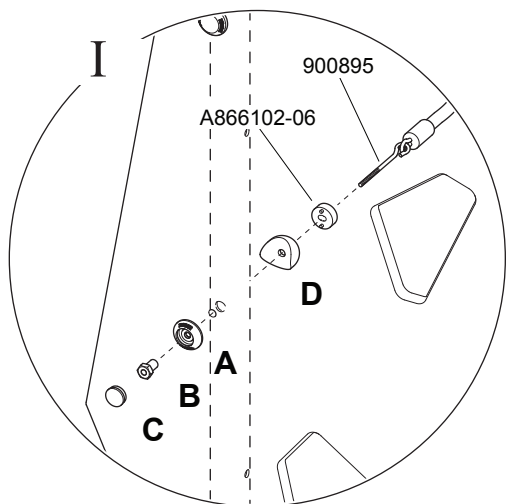
- H**

250101508040
- I**

250101508030
- J**

A640064-128
- K**

A640063-52









- A**

 A640064-128
- B**

 A640063-52
- C**

 A10015-140
- D**

 A864002-06
- E**

 A640007-128
- F**

 250101508090
- G**

 A400278-52

- H**

 400108
- I**

 A10016-06



				
1	I	I	III	III
2	II	II	IV	IV
3	II	II	II	II
4	II	II	II	II



A



A640007-128

B



250101508030

C



A10015-140

D



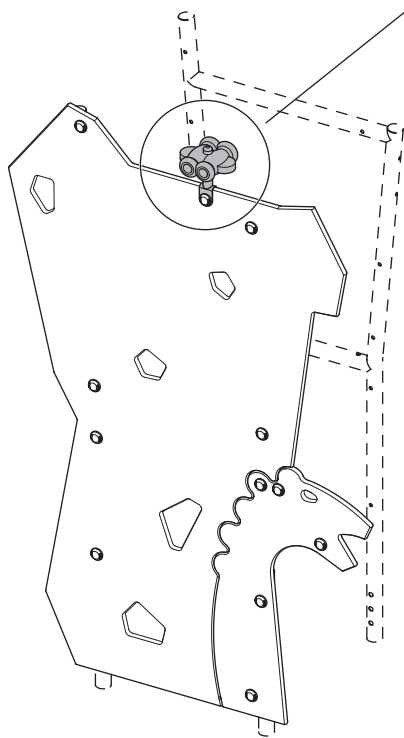
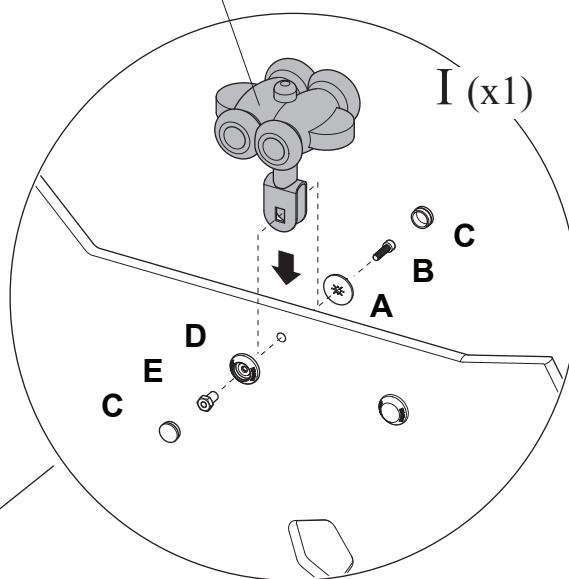
A640064-128

E

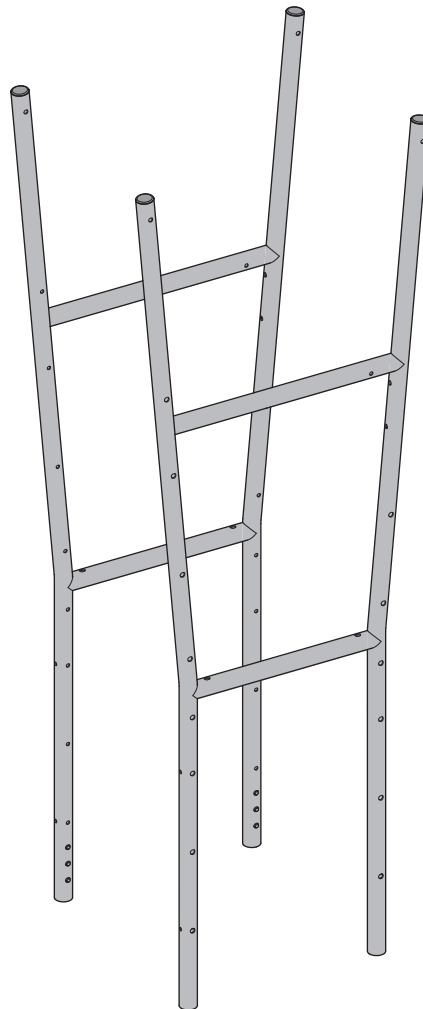


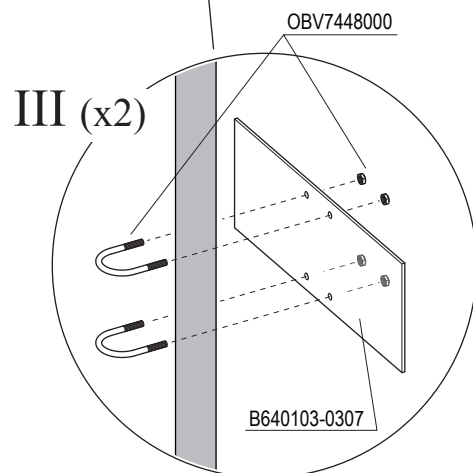
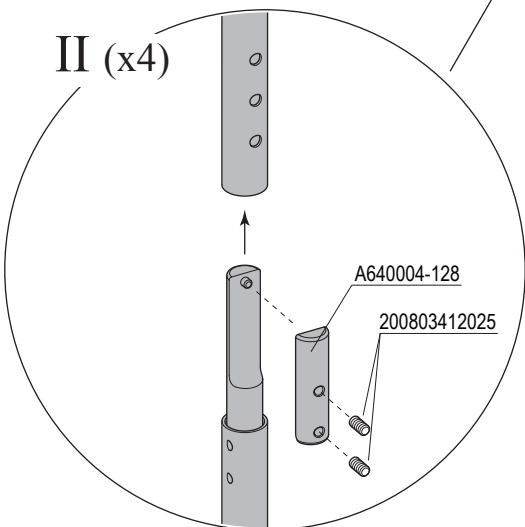
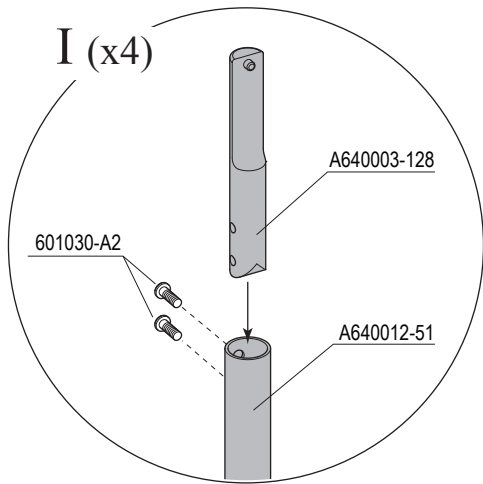
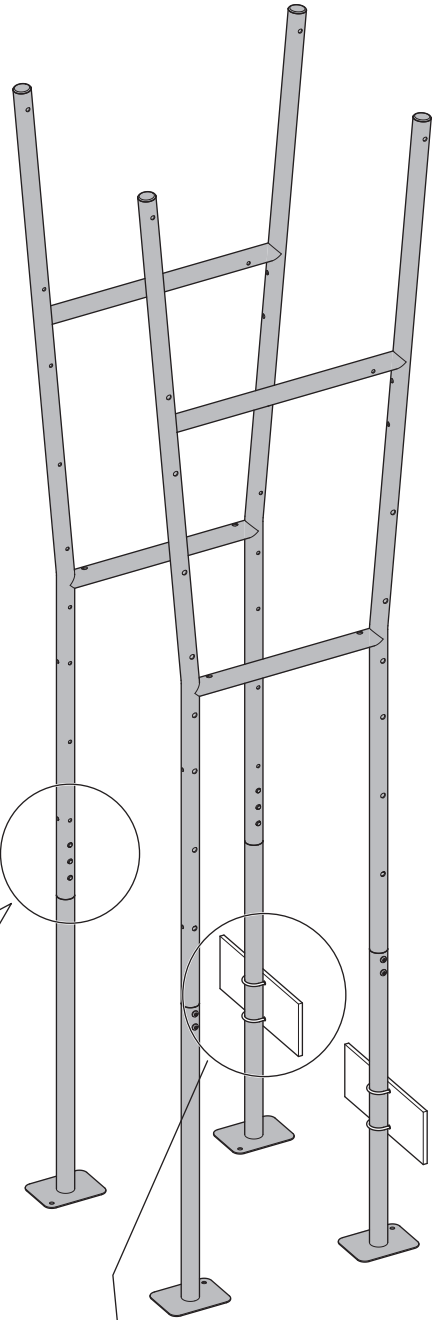
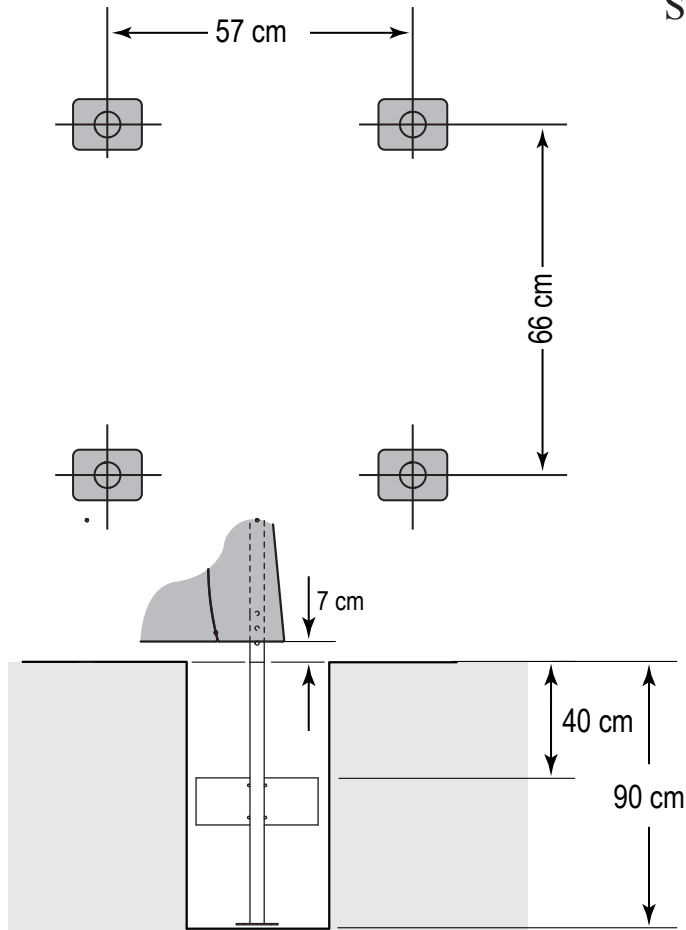
A640063-52

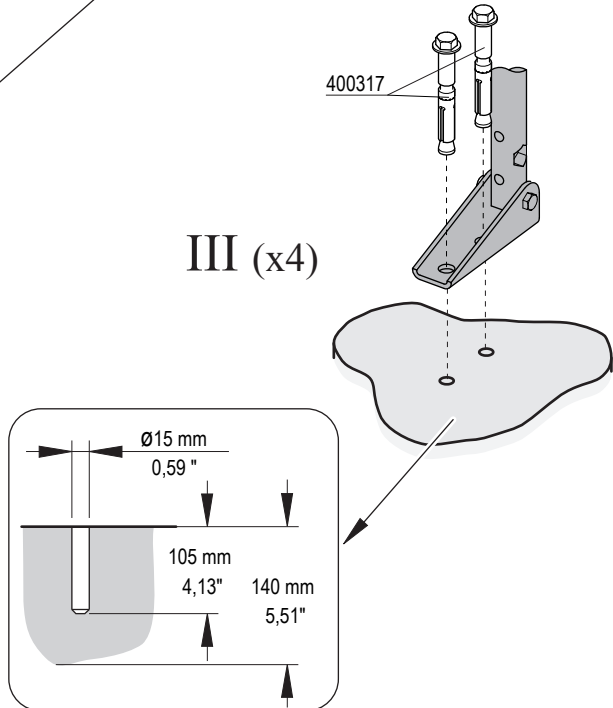
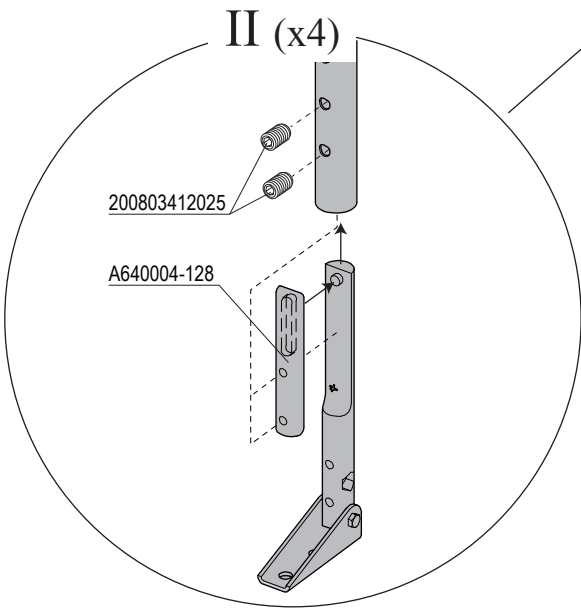
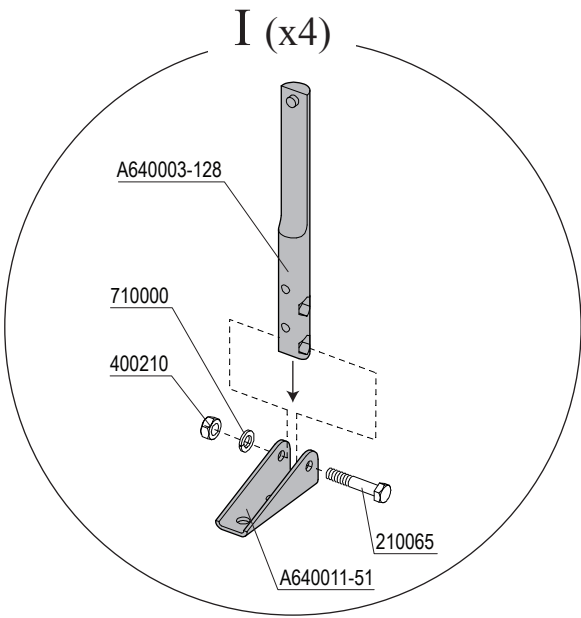
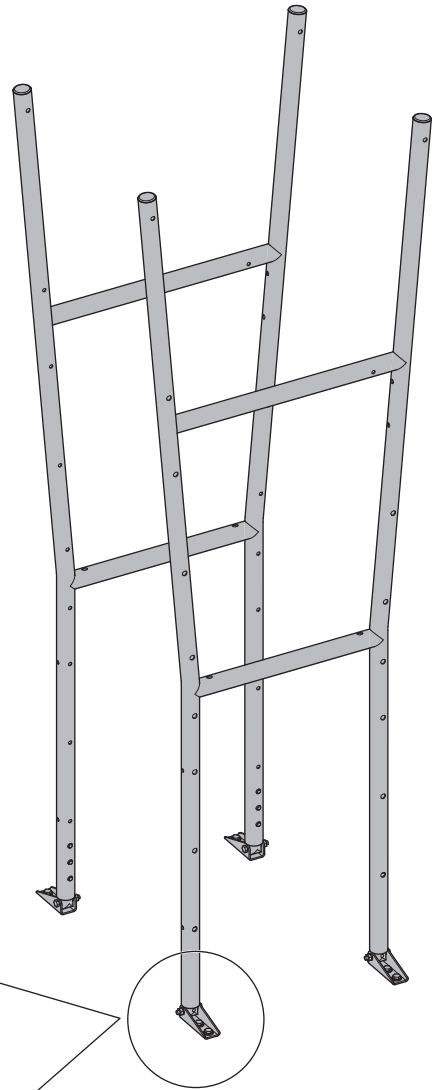
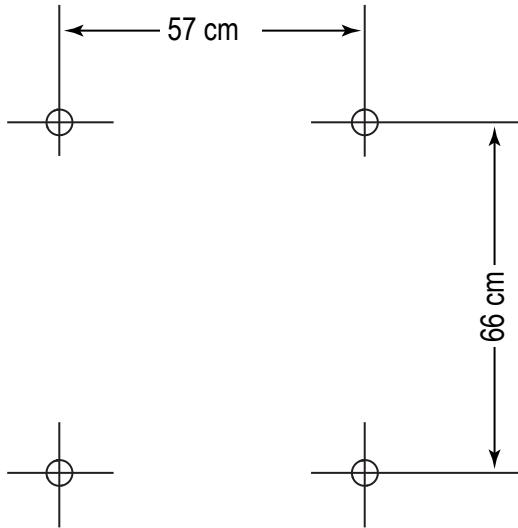
AC208112-99

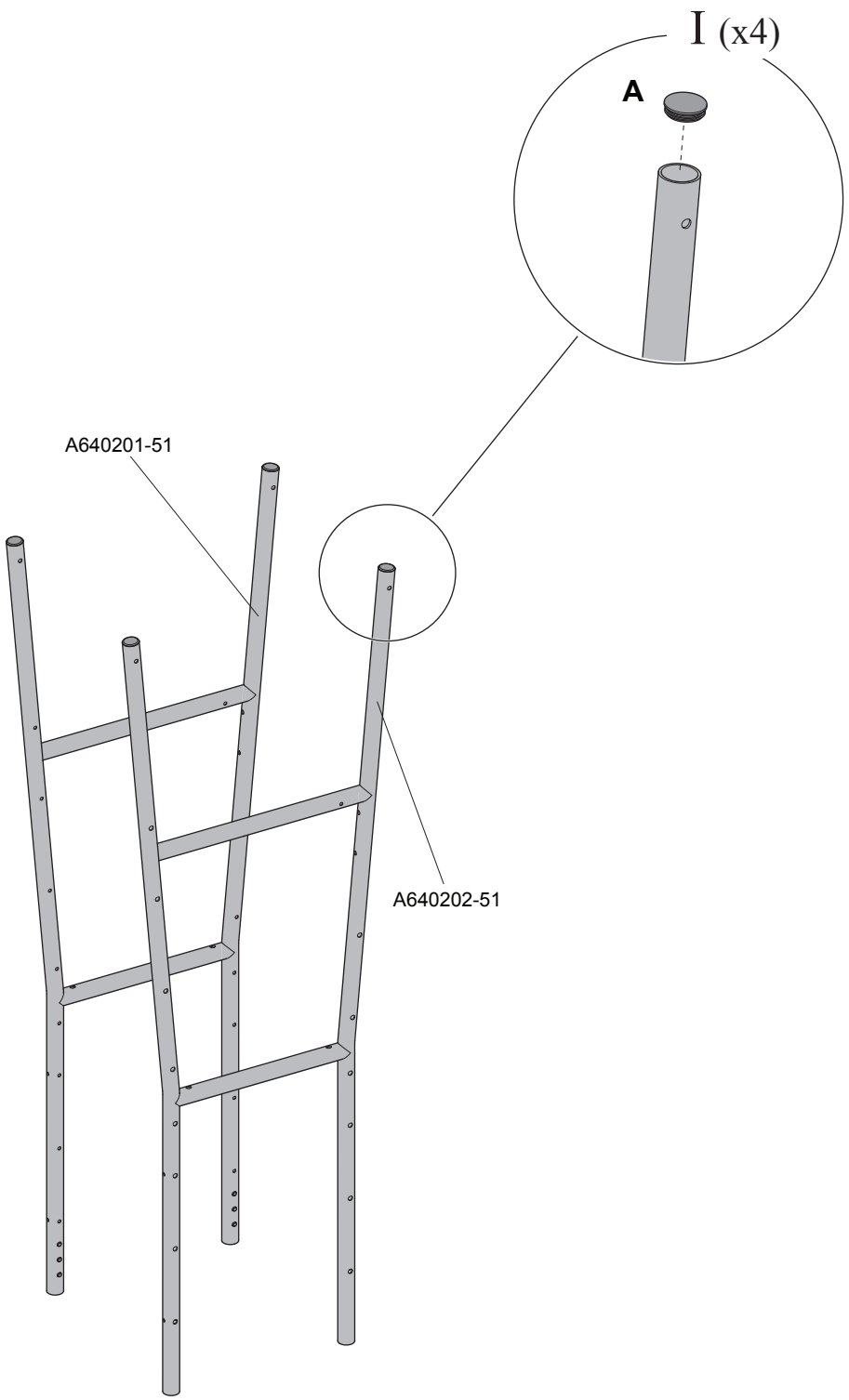


SC640200-3717
SC640200-5017

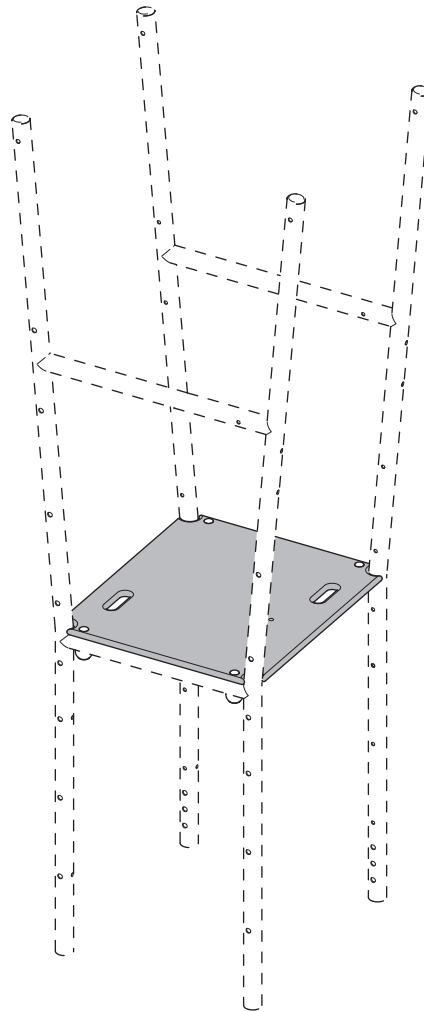






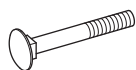


VSC640200XX17 20100506 AHE-Layout





A



110080-A2

B



A8640002-06

C



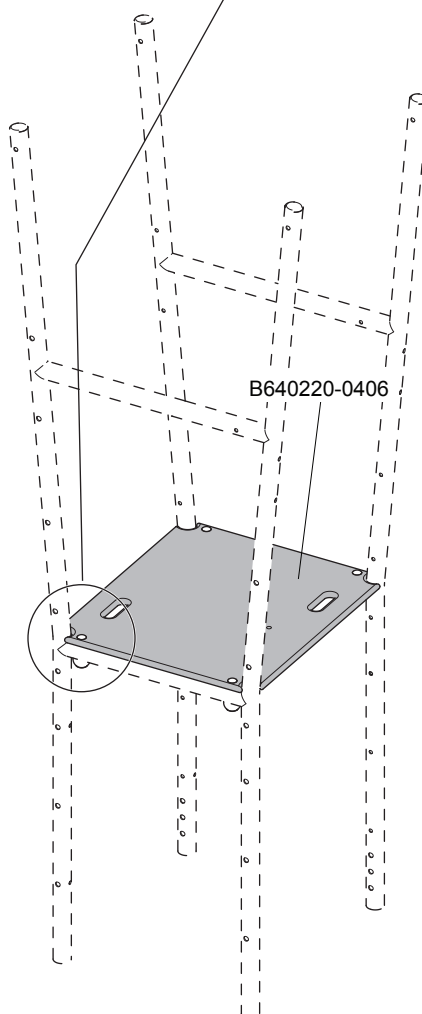
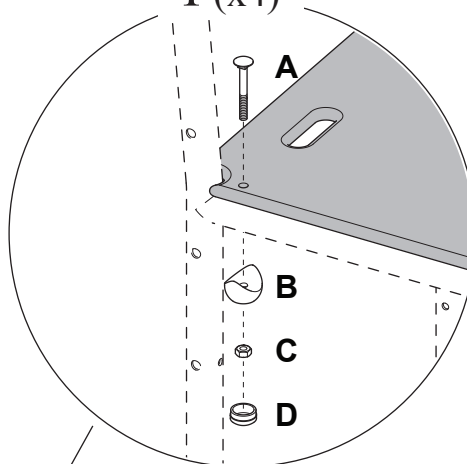
400010-A2

D

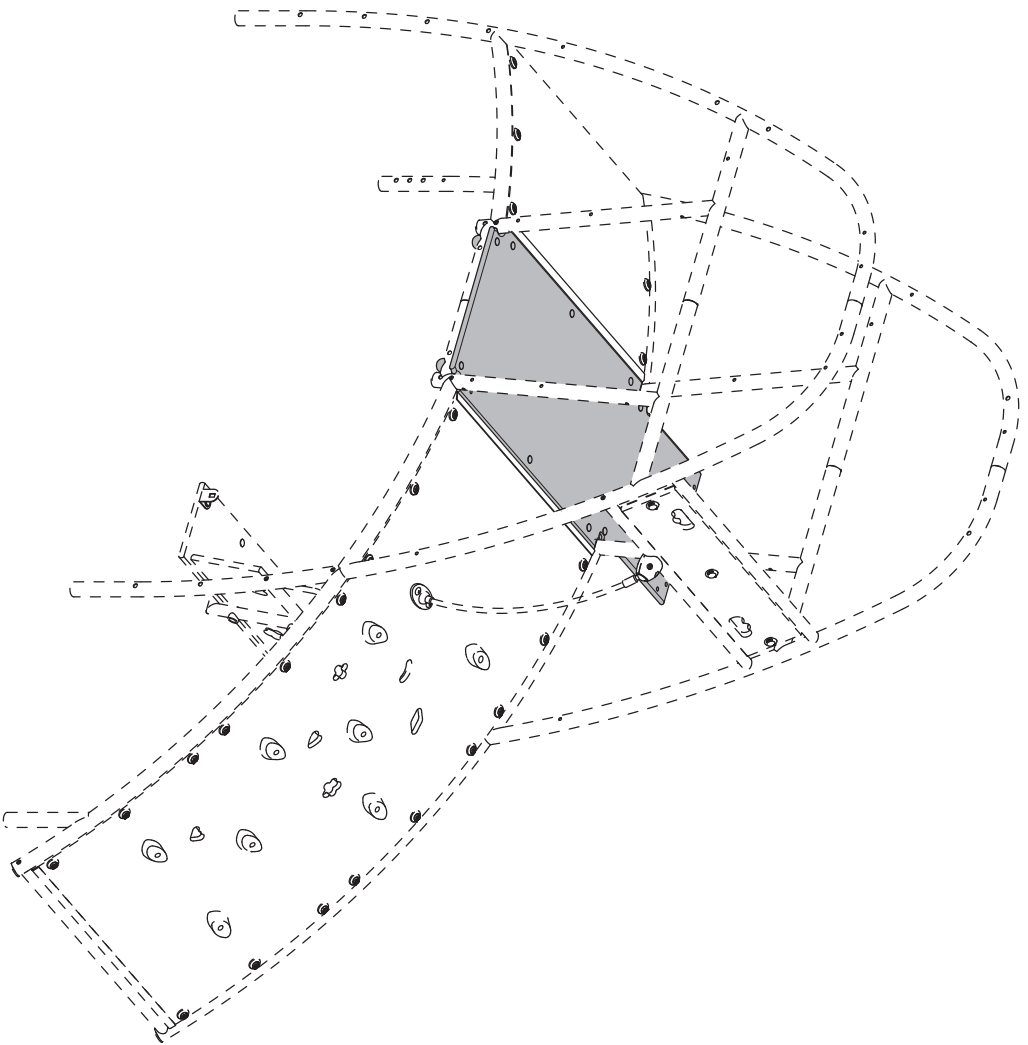


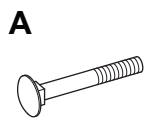
A10016-06

I (x4)

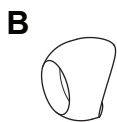


B640220-0406

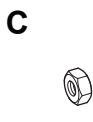




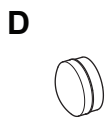
110080-A2



A8640002-06

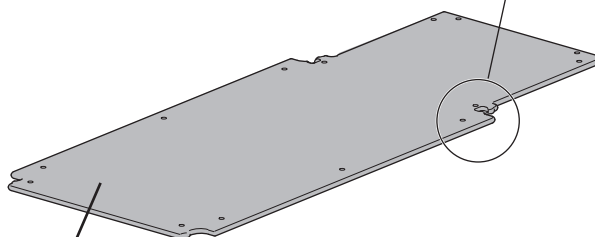
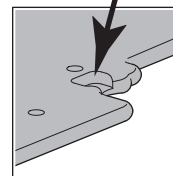


400010-A2



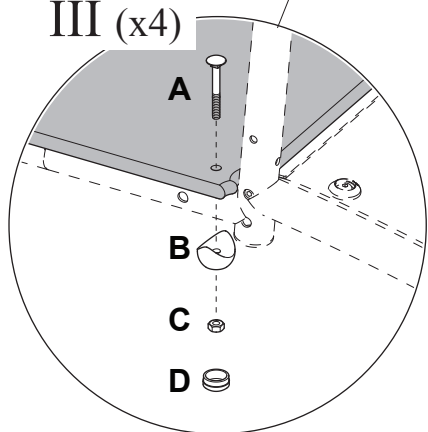
A10016-06

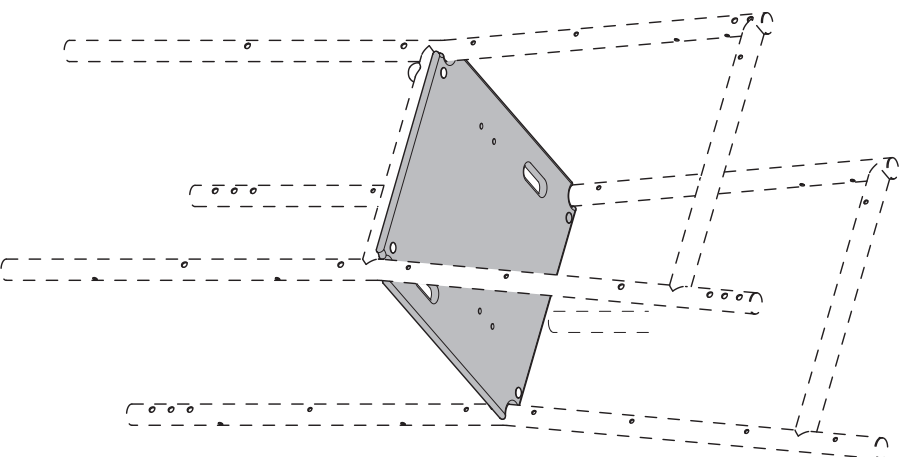
!!!



B640158-0406

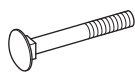
III (x4)







A



110080-A2

B



A8640002-06

C



400010-A2

D

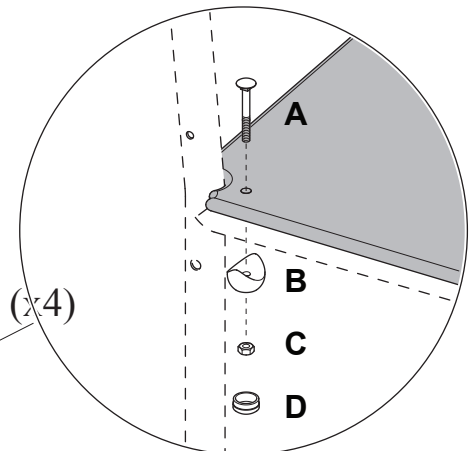


A10016-06

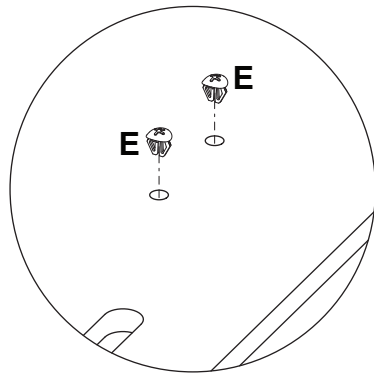
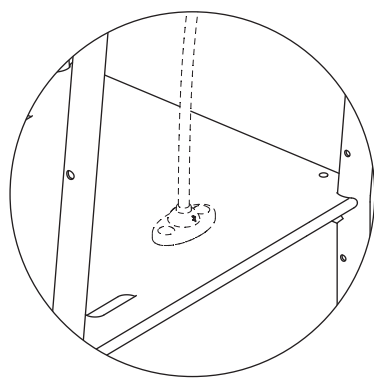
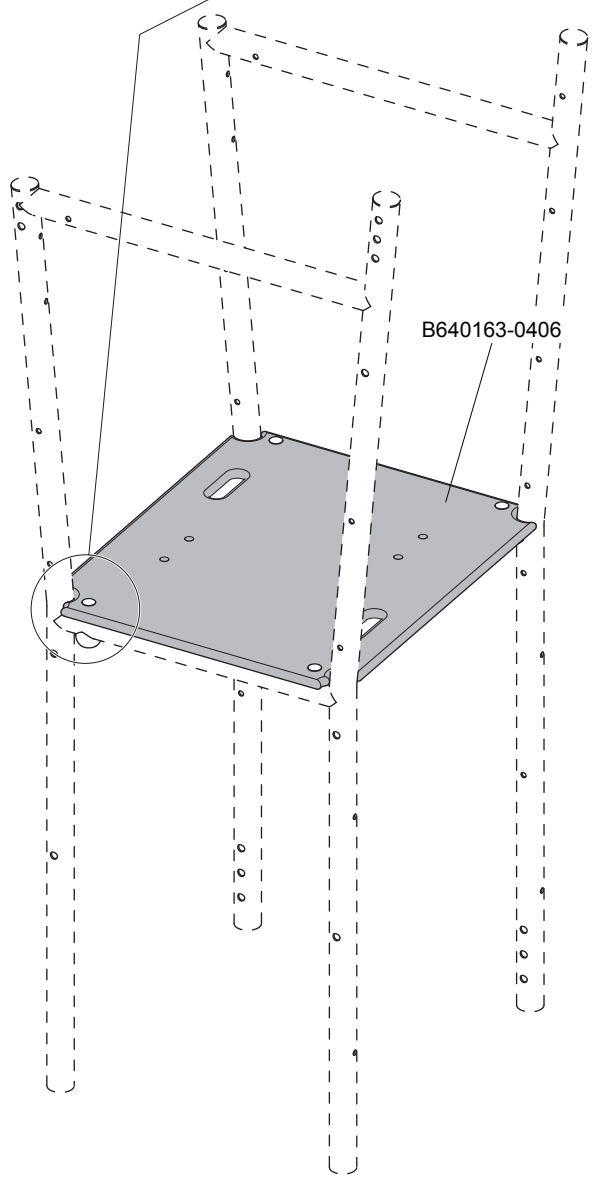
E



A400594-06



(x4)



VSC6429000 20100201 AHE-Layout/MarSky

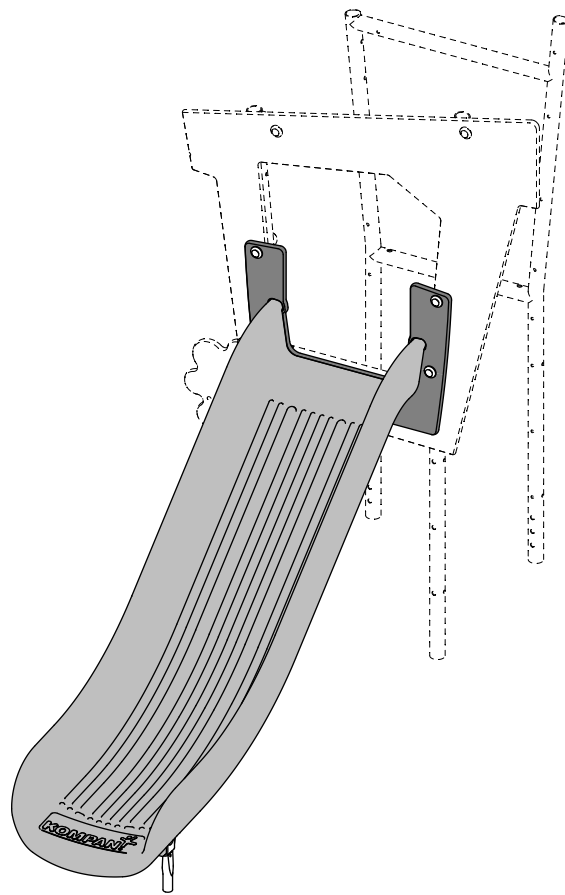
KOMPAN!

SC646902-3418FP

SC646902-5018FP

SC646902-3418GP

SC646902-5018GP





A



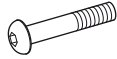
601030-A2

B



701023

C

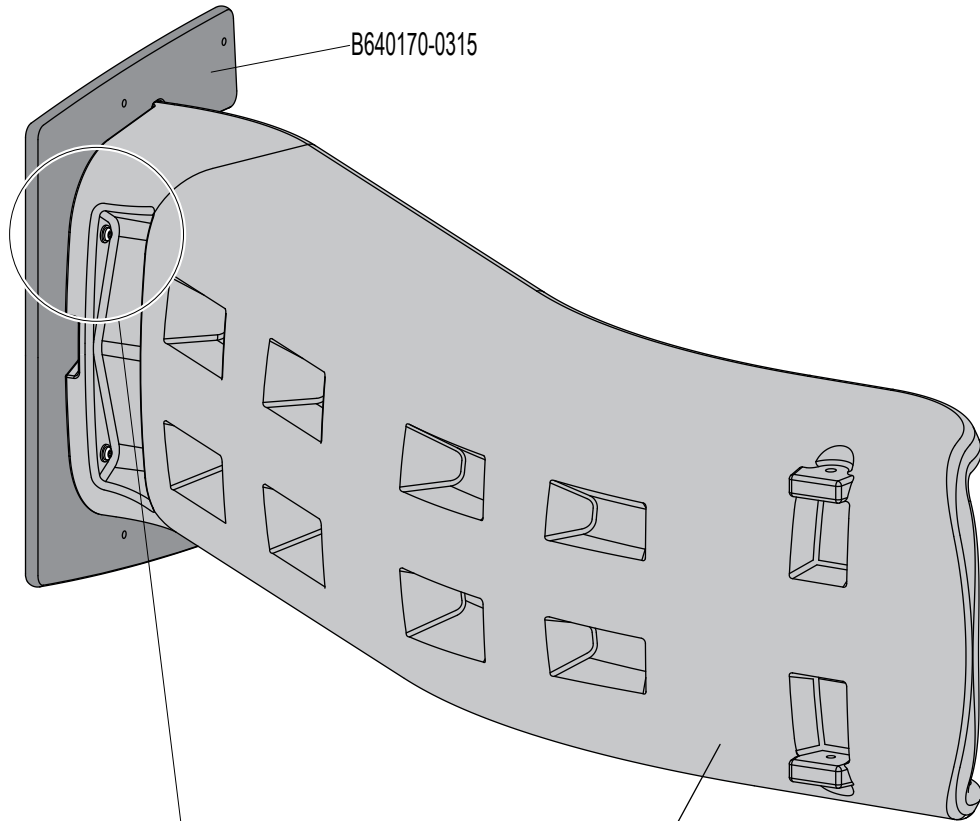


601060

D



400212

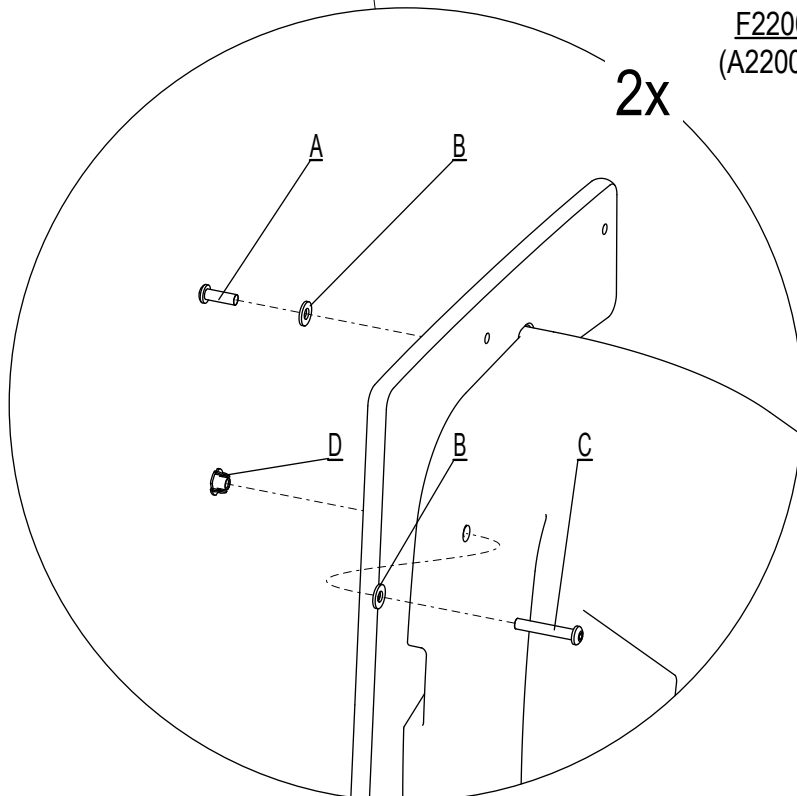


B640170-0315

F220020-01 -SC646902-XX18FP
(A220020-12)

F220020-02 -SC646902-XX18GP
(A220020-135)

2x





A



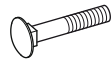
OBVR1910018

B



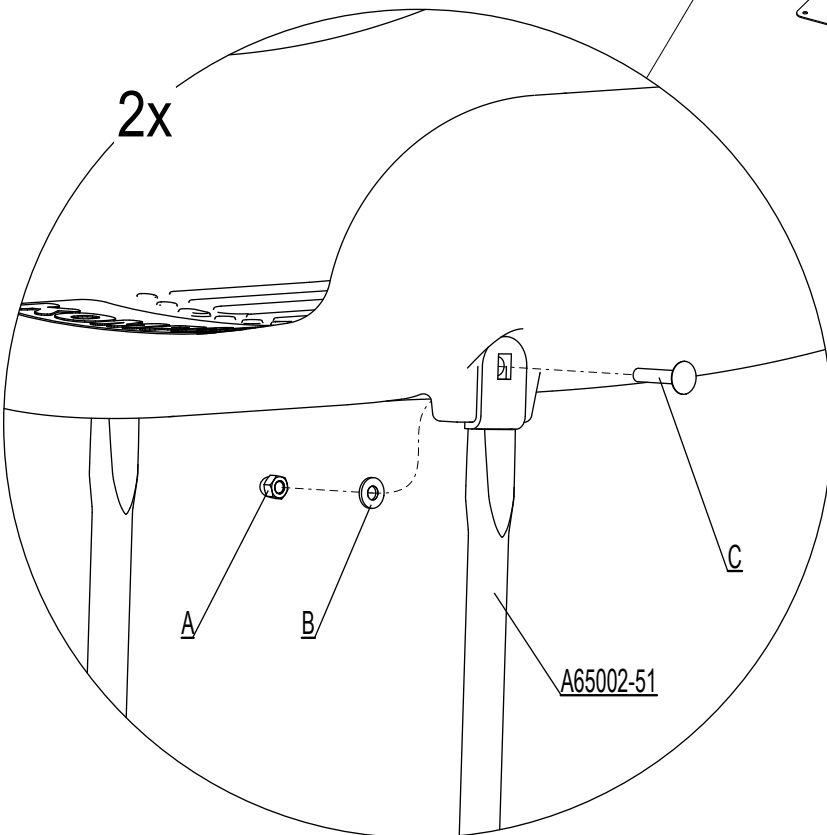
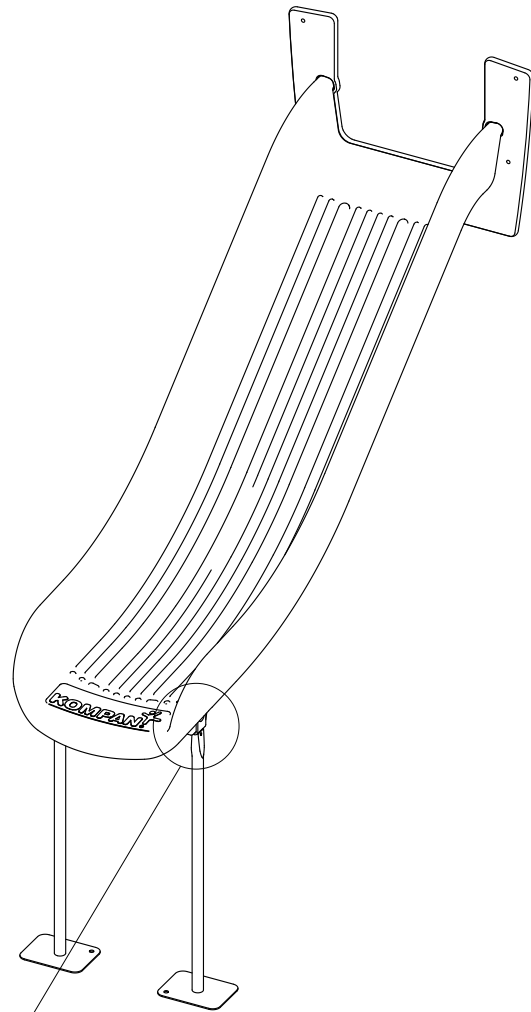
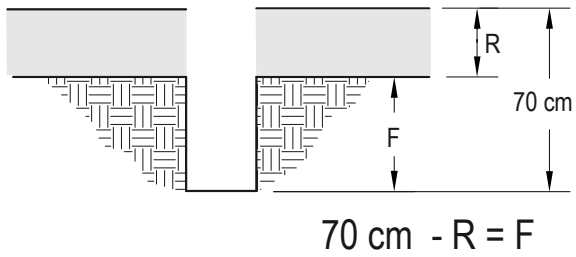
701023

C



110050-A2

SC646902-3418FP
SC646902-3418GP



VSC646902XX18P 20140114 PetrJu



A



OBVR1910018

B



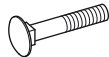
701023

C



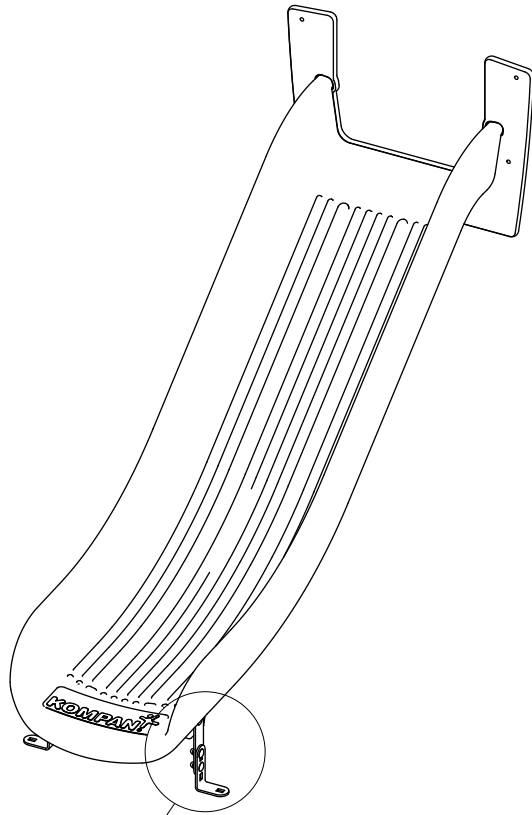
110020-A2

D

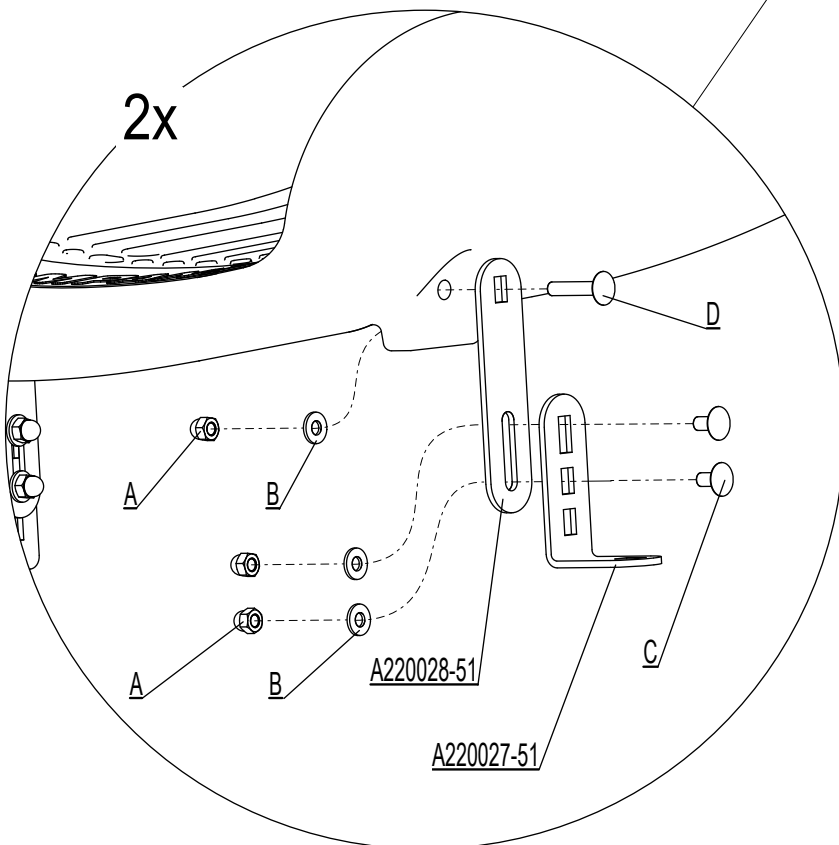


110050-A2

SC646902-5018FP
SC646902-5018GP



2x





A



A10015-140

B



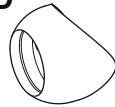
250101508110

C



A640007-188

D



A864002-06

E



A400278-52

F

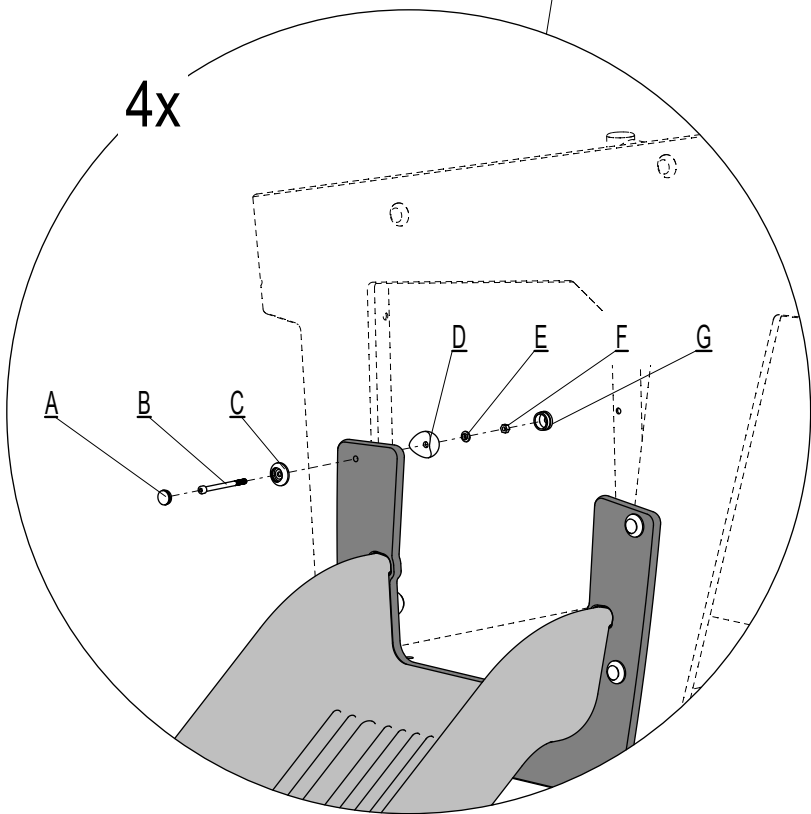
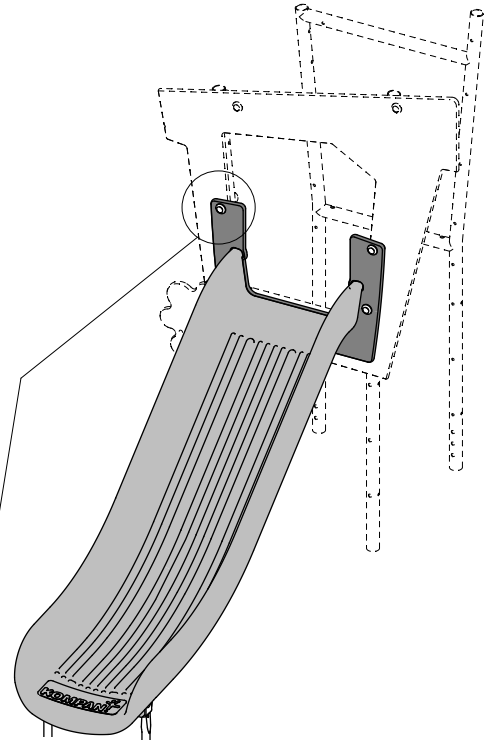
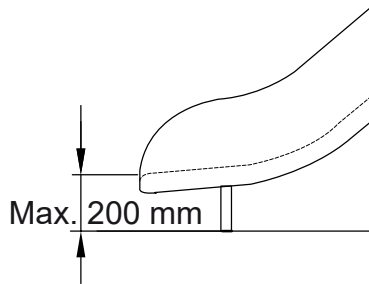


400108

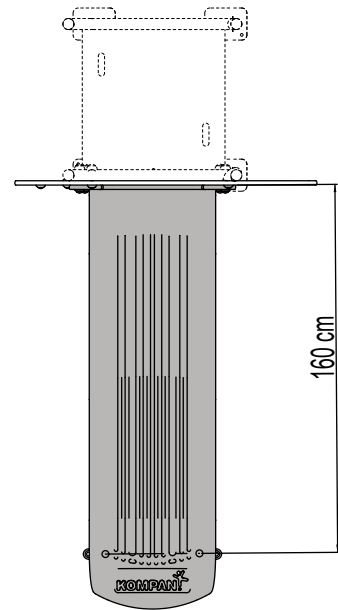
G



A10016-06



4x

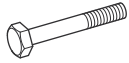


160 cm

VSC646902XX18P 20140114 PetrJu



A



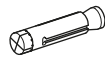
210065

B



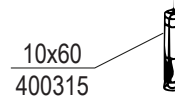
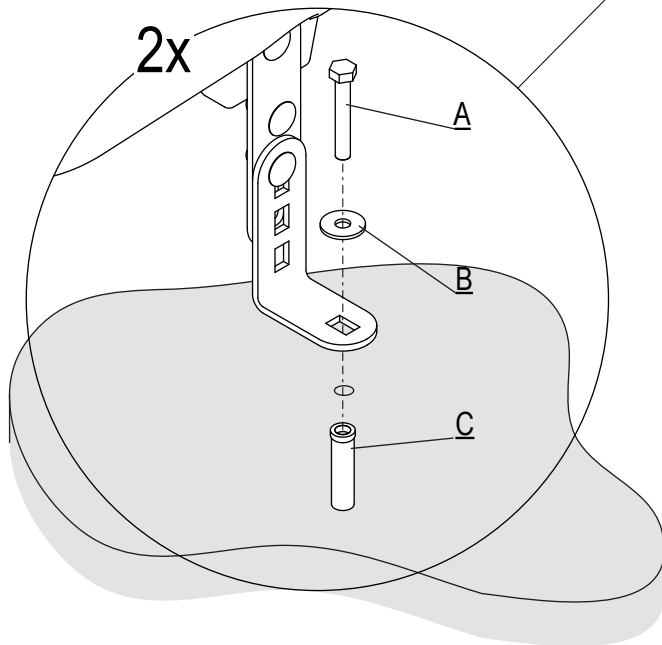
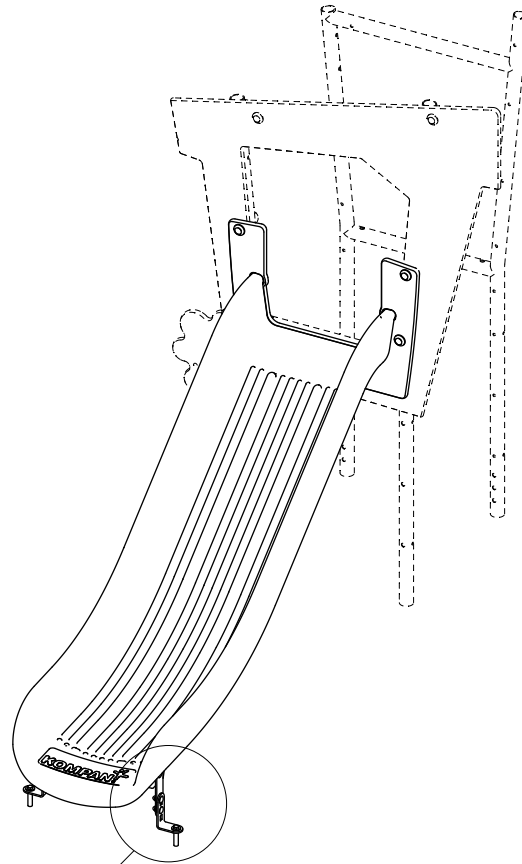
702530

C

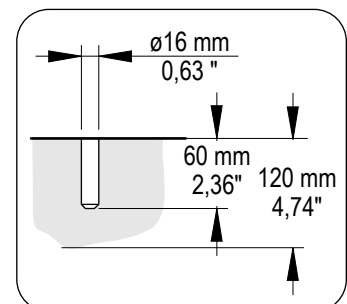


400315

SC646902-5018FP SC646902-5018GP

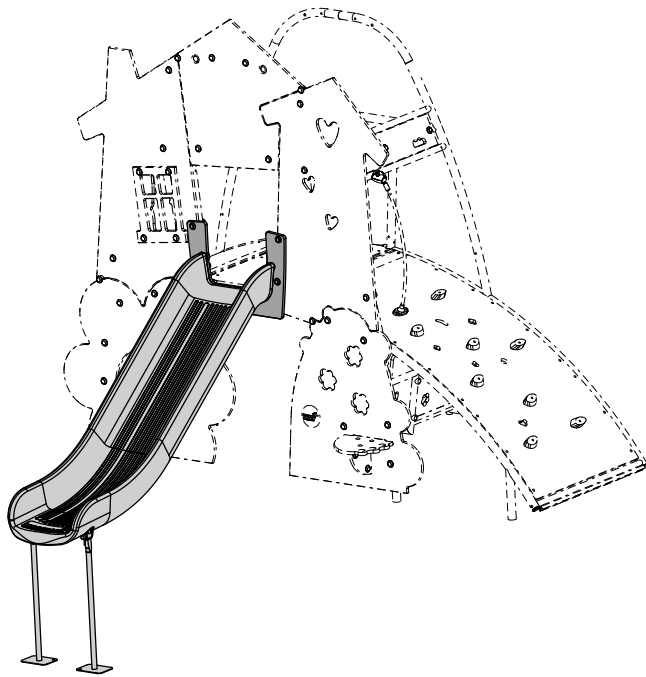


400315 - 10 mm:

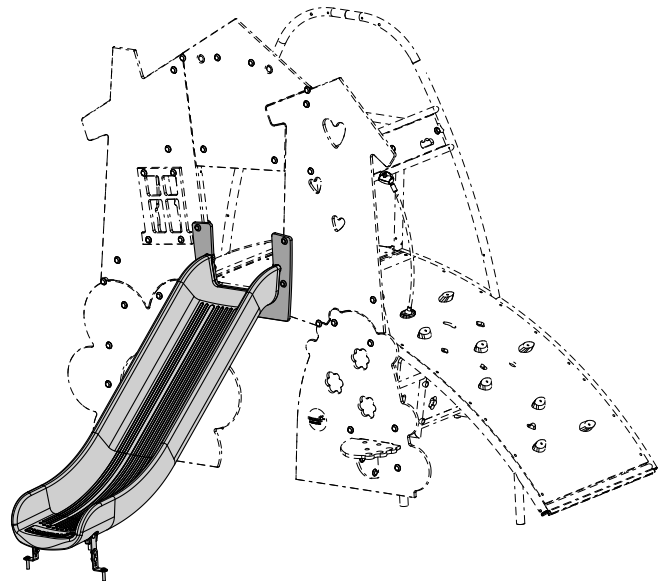


KOMPAN[®]
SC647003-3418GP
SC647003-5018GP

SC647003-3418GP



SC647003-5018GP





A



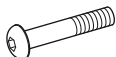
601030-A2

B



701023

C



601060-A2

D

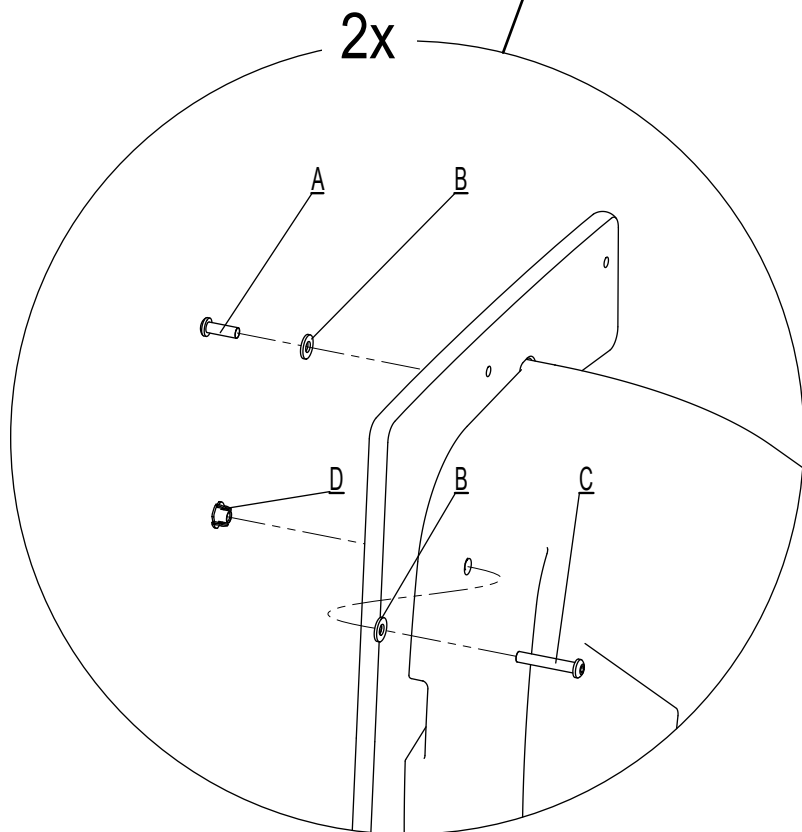


400212

B640170-0315

F220021-02
(A220021-135)

2x



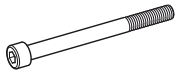


A



A10015-140

B



250101508110

C



A640007-128

D



A8640002-06

E



A400278-52

F

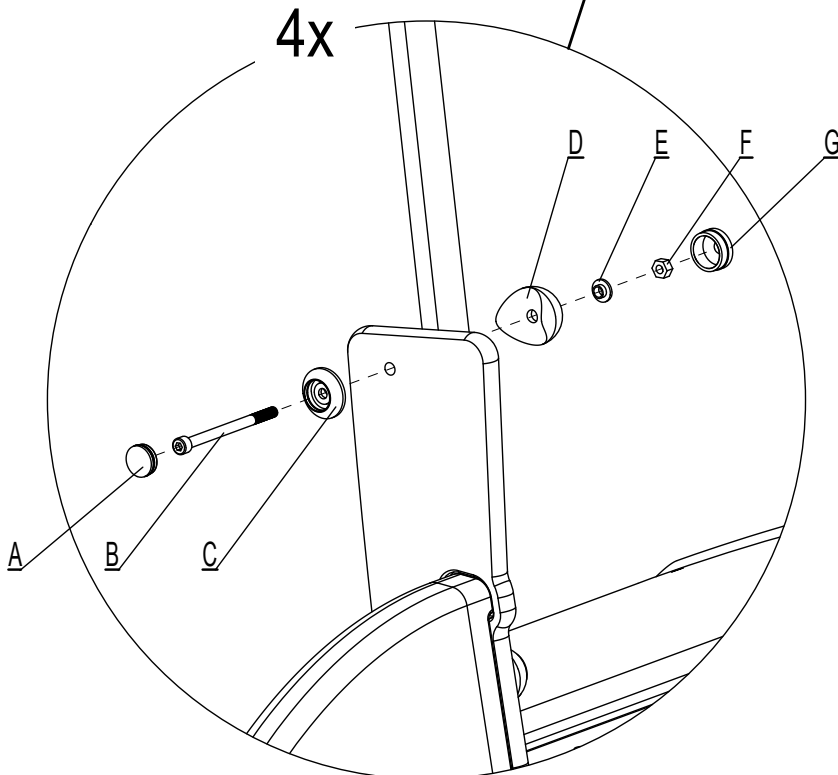
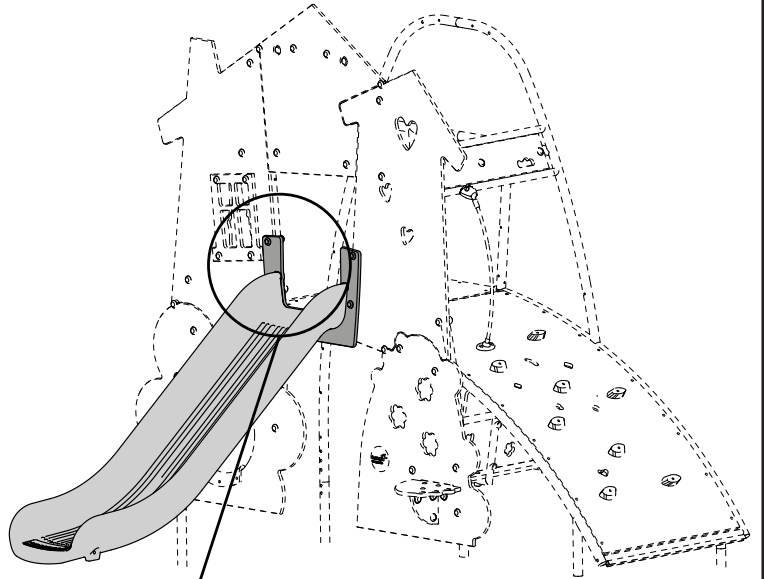


400108

G



A10016-06





A



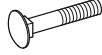
OBVR1910018

B



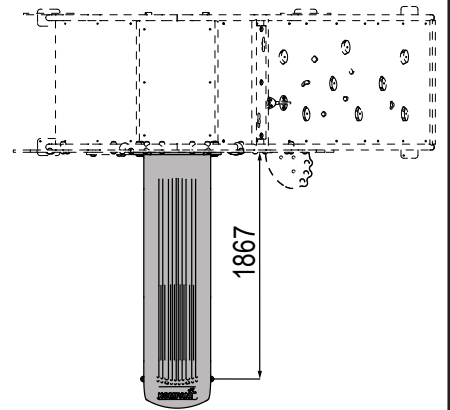
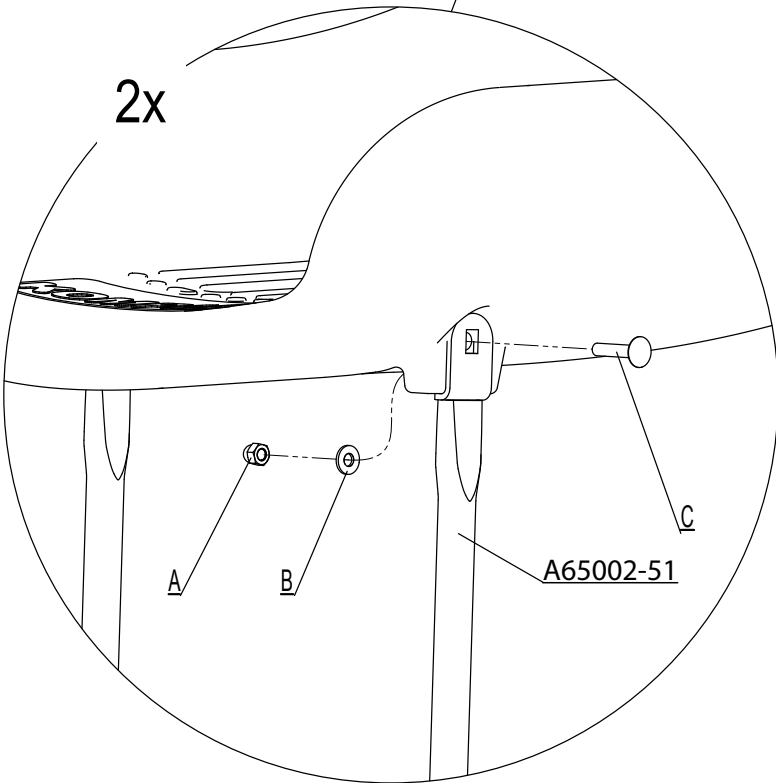
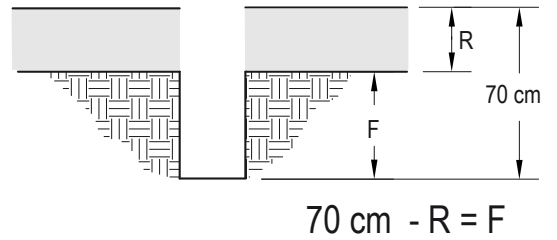
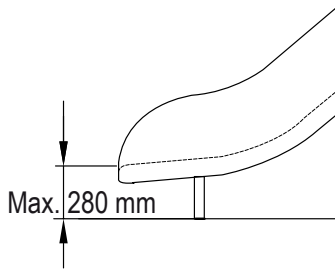
701023

C



110050-A2

SC647003-3418GP



VSC647003XX18P 20140402 Petr.Ju



A



OBVR1910018

B



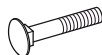
701023

C



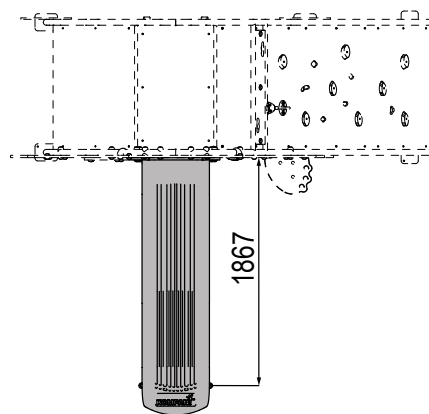
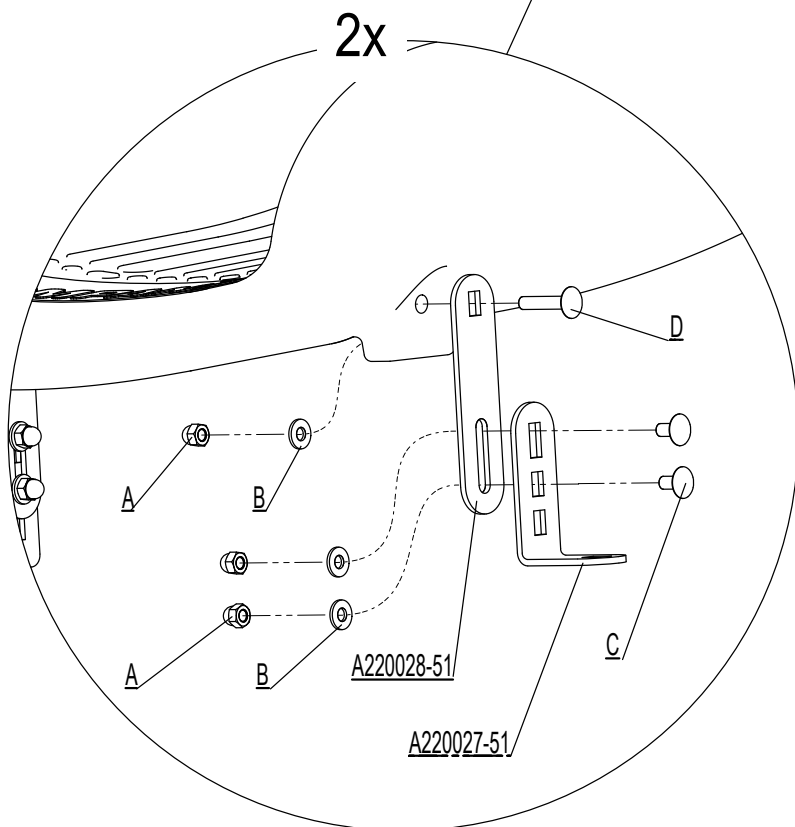
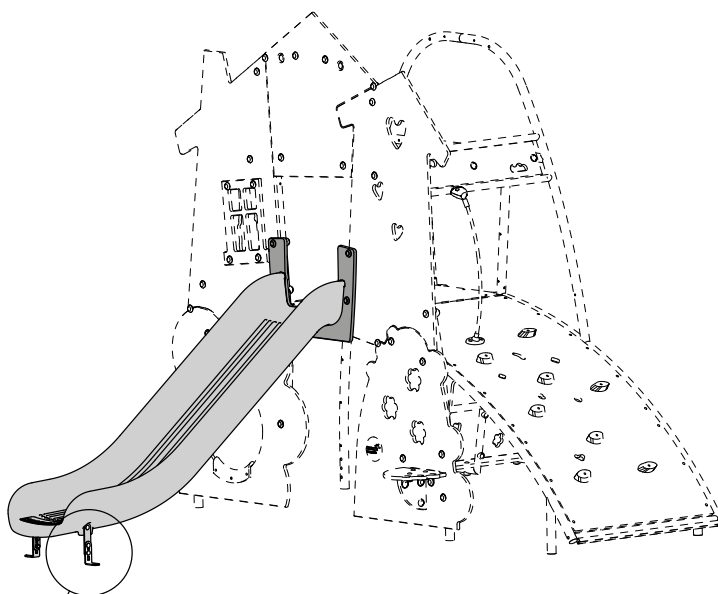
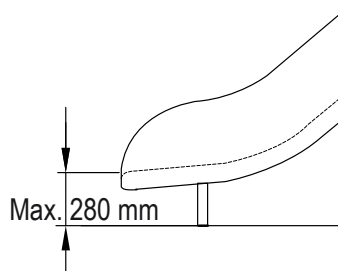
110020-A2

D



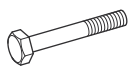
110050-A2

SC647003-5018GP





A



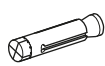
210065

B



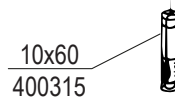
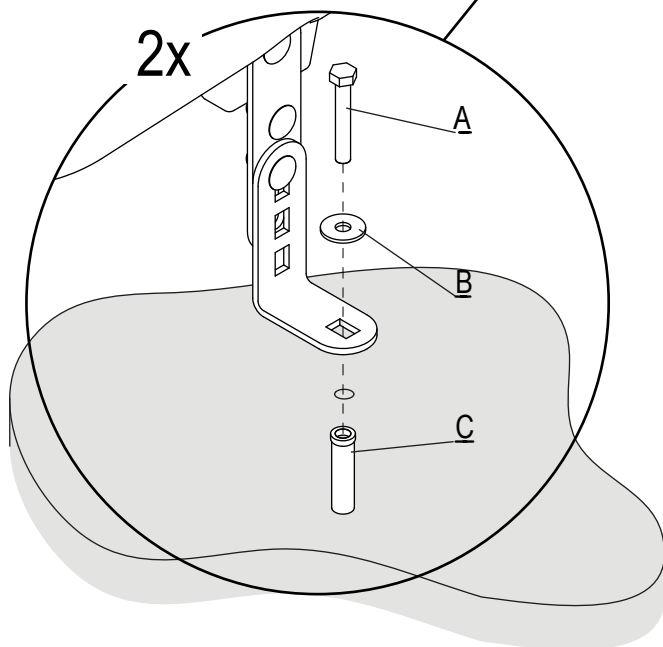
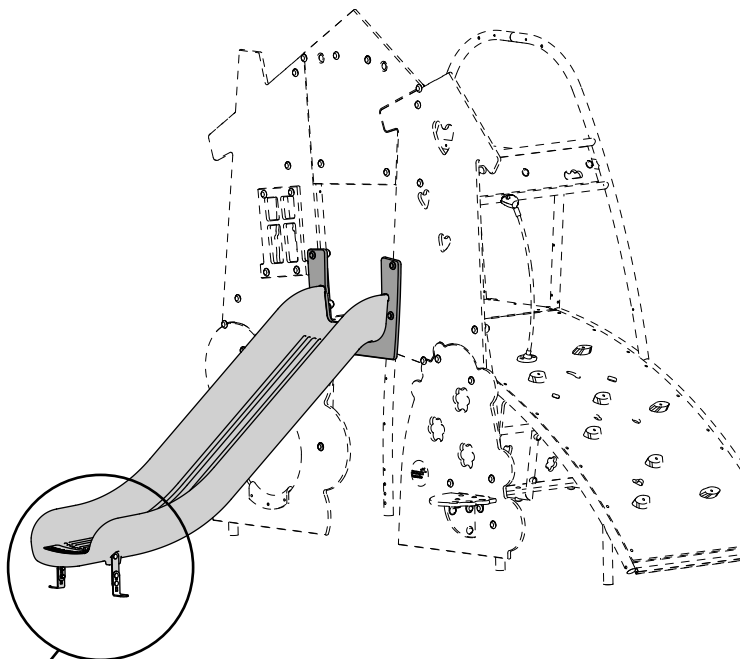
702530

C

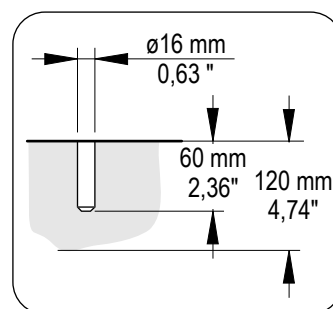


400315

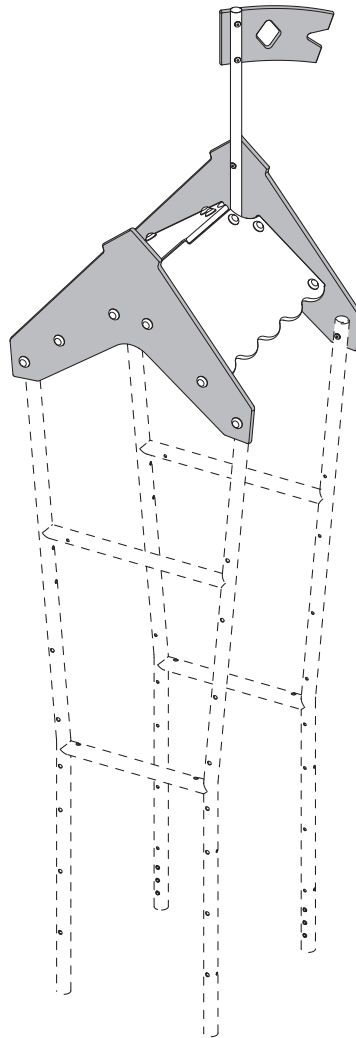
SC647003-5018GP



400315 - 10 mm:

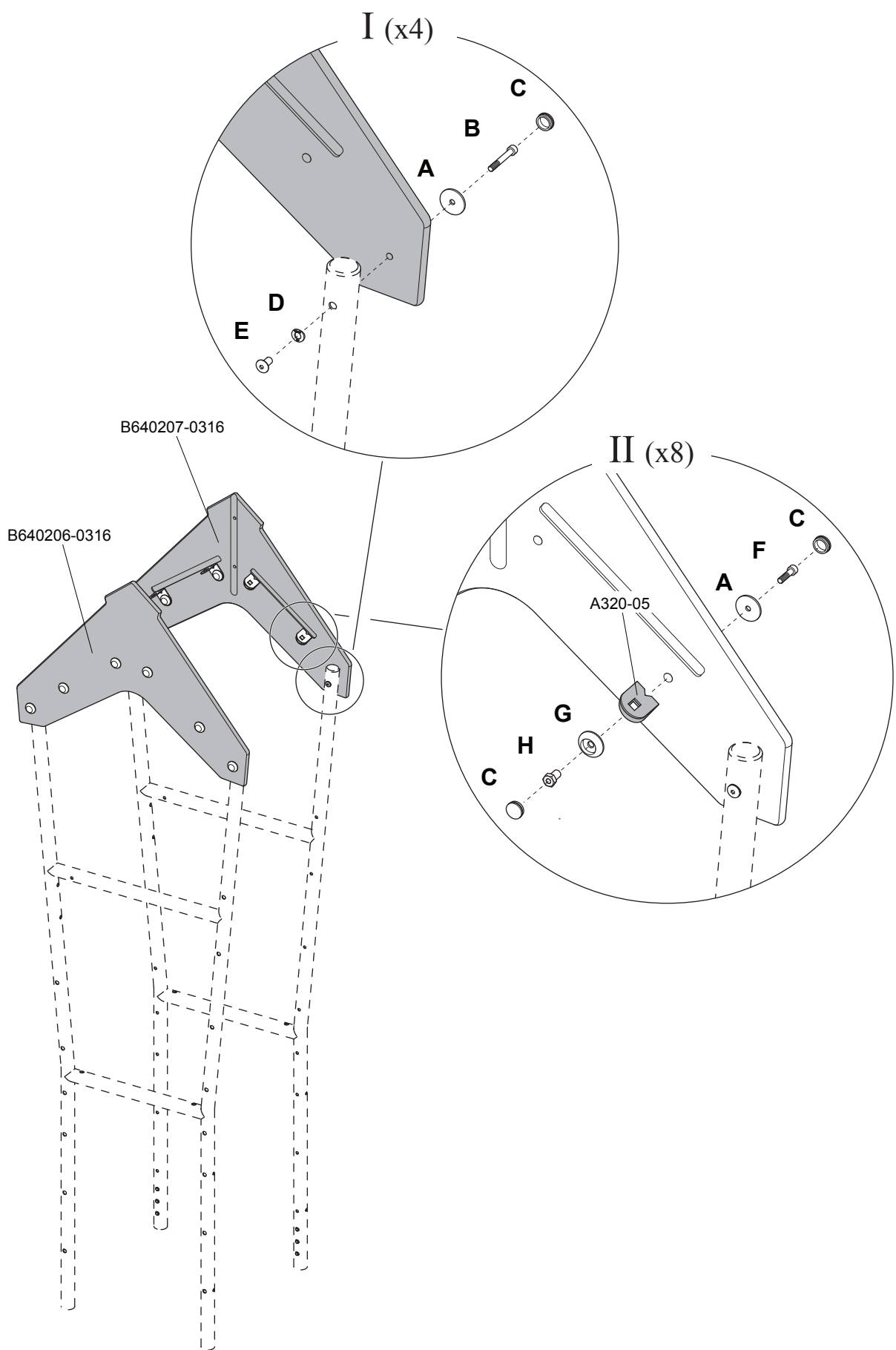


VSC647003XX18P 20140402 Petr.Ju





- A**  A640007-128
- B**  250101508060
- C**  A10015-140
- D**  A540020-128
- E**  A540019-52
- F**  250101508030
- G**  A640064-128
- H**  A640063-52





A



A640007-128

B



250101508050

C



A10015-140

D

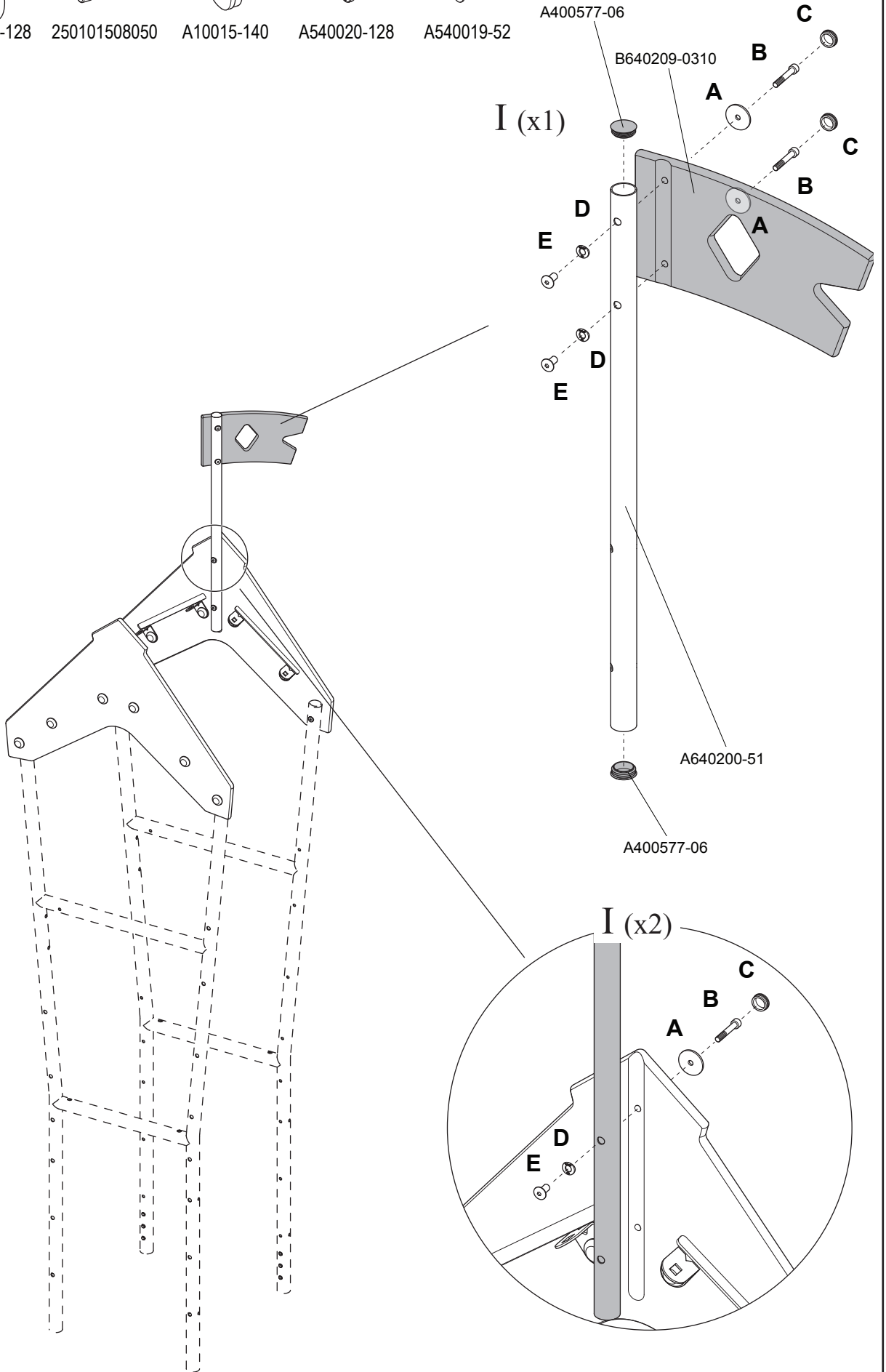


A540020-128

E



A540019-52



A400577-06

B640209-0310

I (x1)

A

B

C

E

D

E

D

E

C

B

A

B

C

A640200-51

A400577-06

I (x2)

A

B

C

E

D

VSC6542000P 20100730 AHE-Layout



A



A640007-128

B



250101508030

C



A10015-140

D

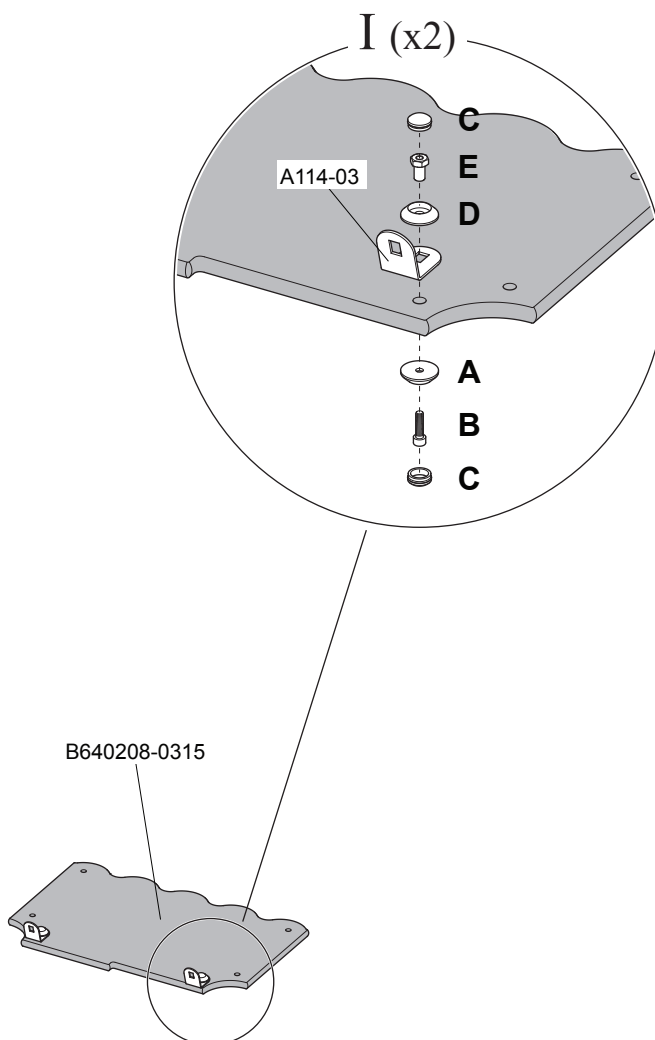


A640064-128

E



A640063-52





A



A640007-128

B



250101508030

C



A10015-140

D

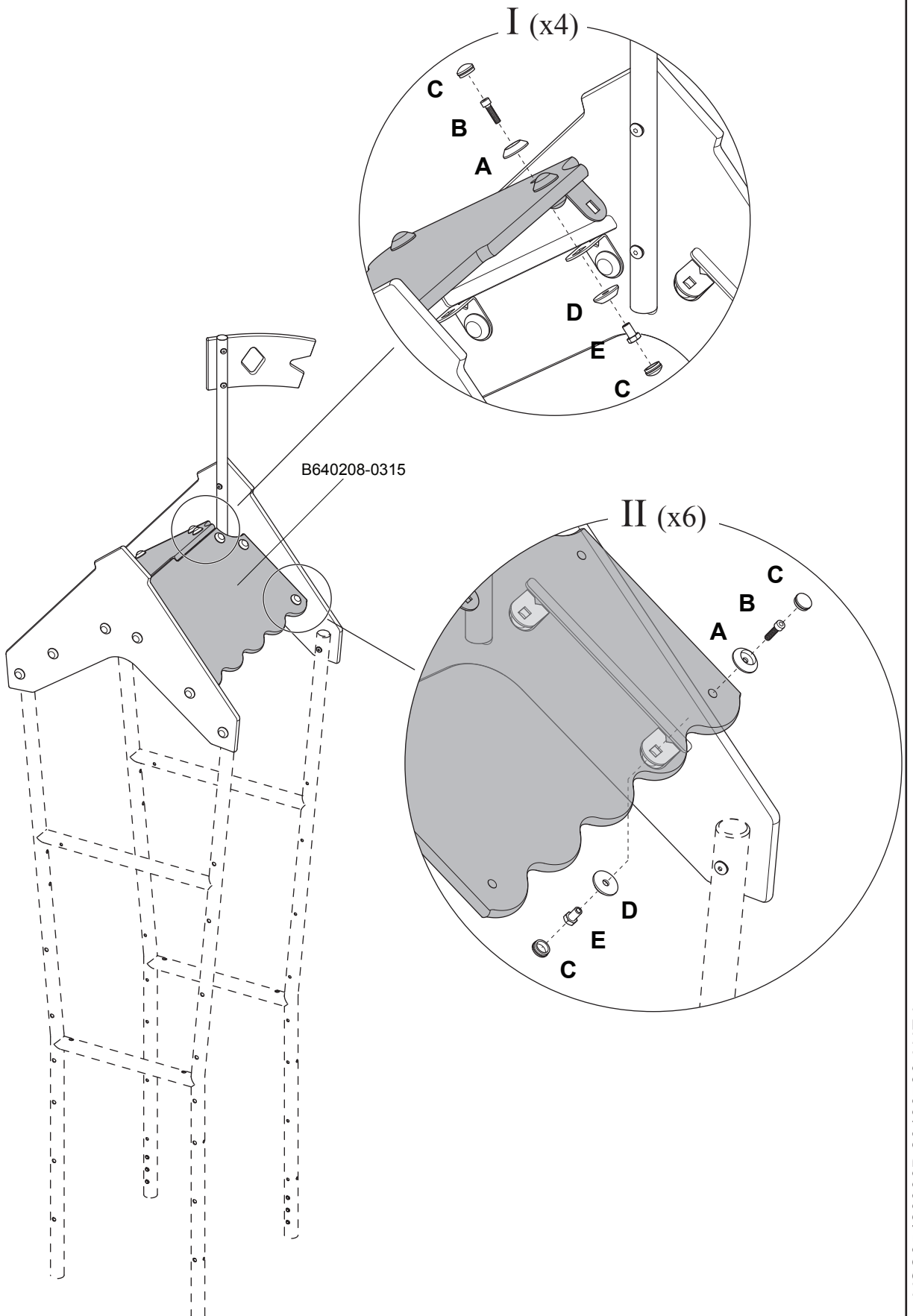


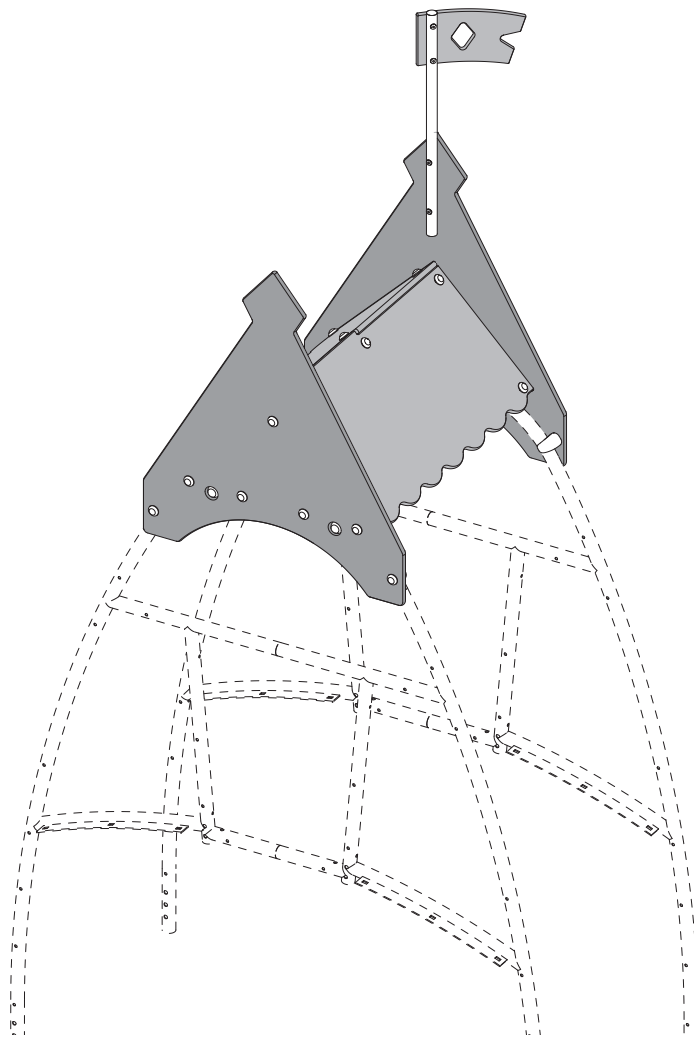
A640064-128

E


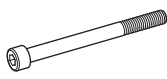







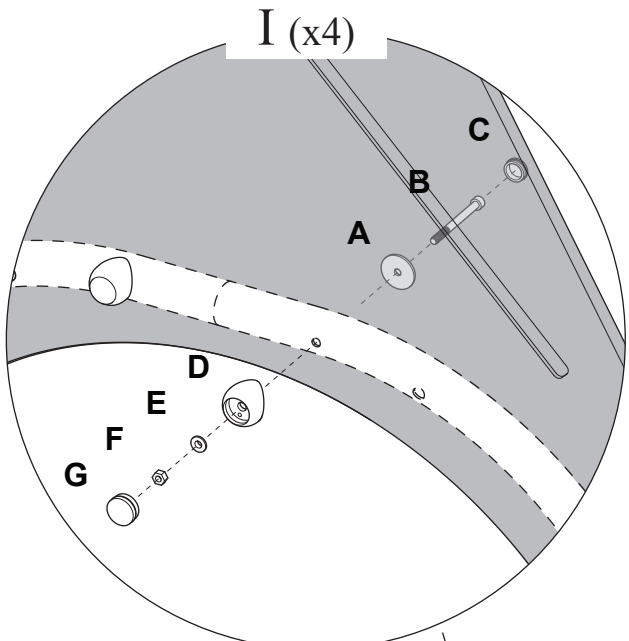
A640063-52





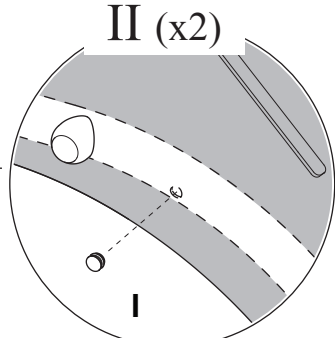
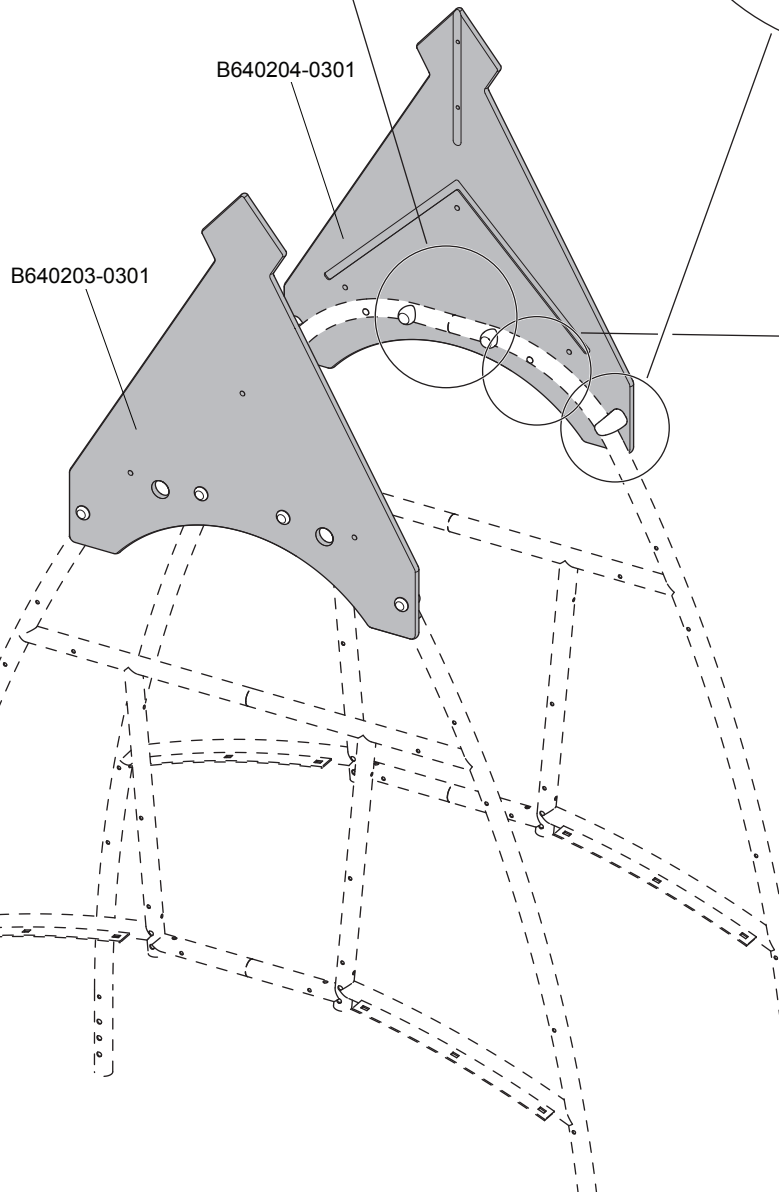
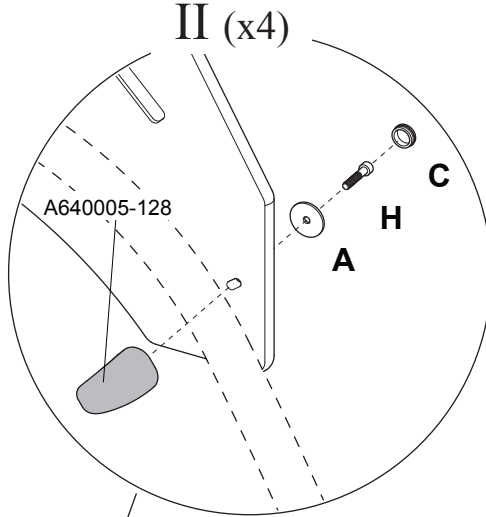




- A**  A640007-128
- B**  250101508090
- C**  A10015-140
- D**  A864002-06
- E**  A400278-52
- F**  400108
- G**  A10016-06



- H**  250101508040
- I**  A640010-06



VSC65430000P 20100730 AHE-Layout



- A**

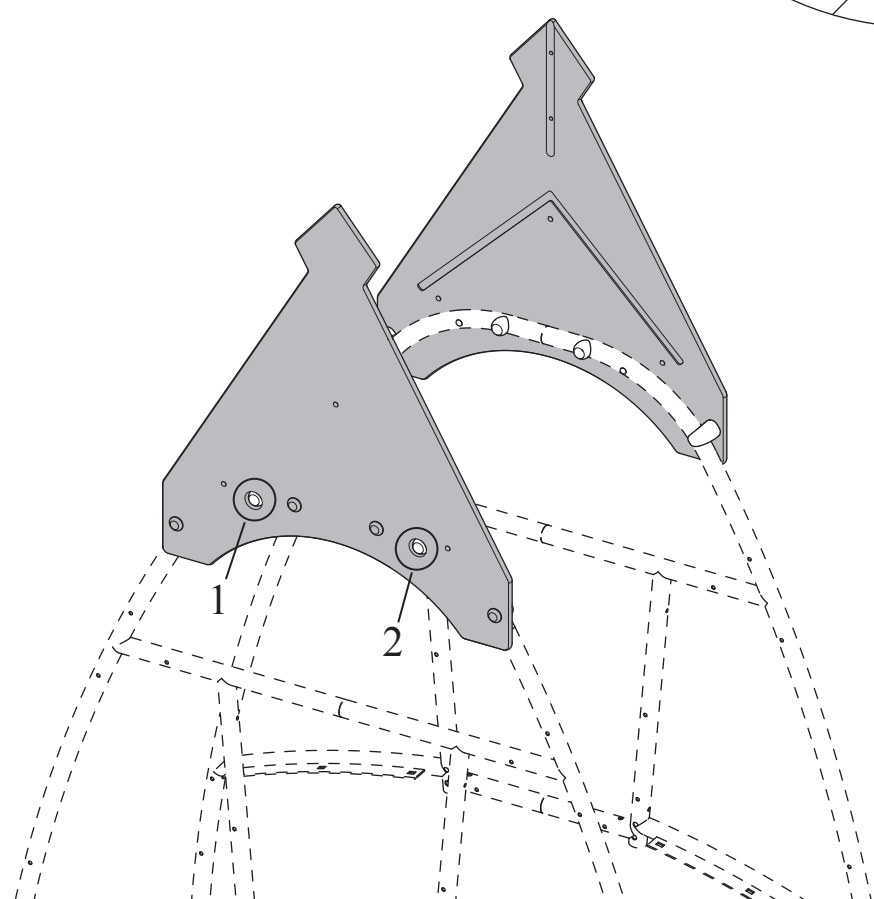
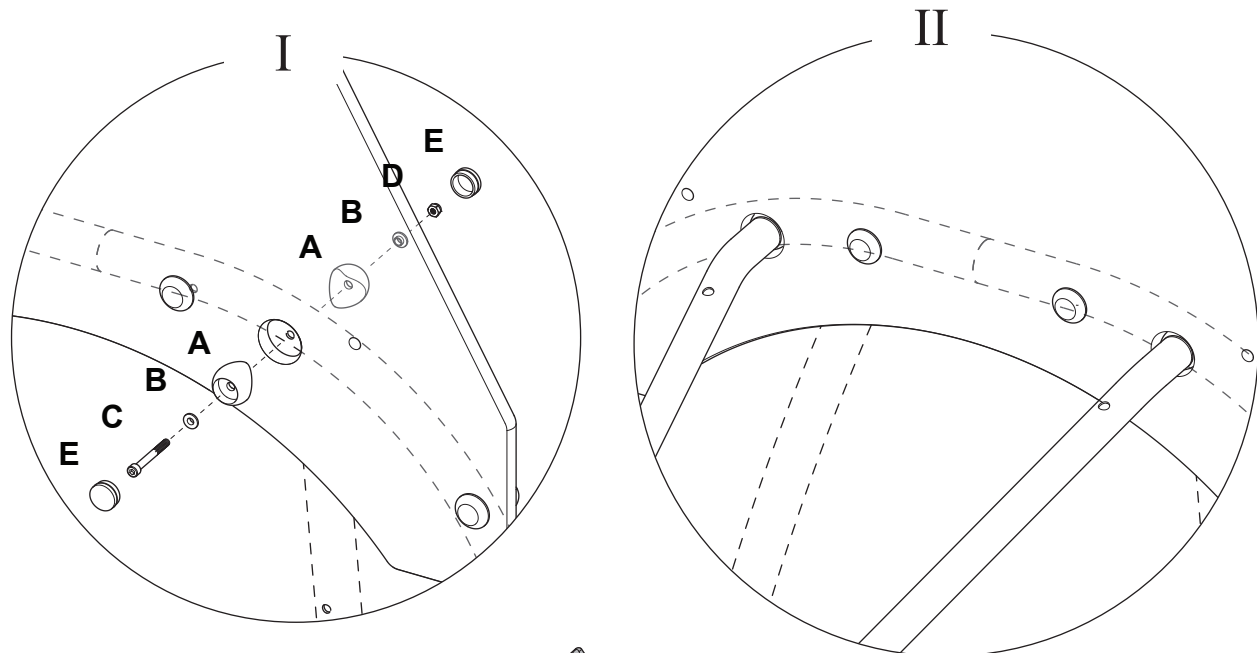
 A864002-06
- B**

 A400278-52
- C**

 210100408070
- D**

 400108
- E**

 A10016-06



1	I	I	II	II	I	I	I	I
2	I	I	II	II	I	I	I	I

VSC65430000P 20100730 AHE-Layout



A



A640007-128

B



250101508030

C



A10015-140

D

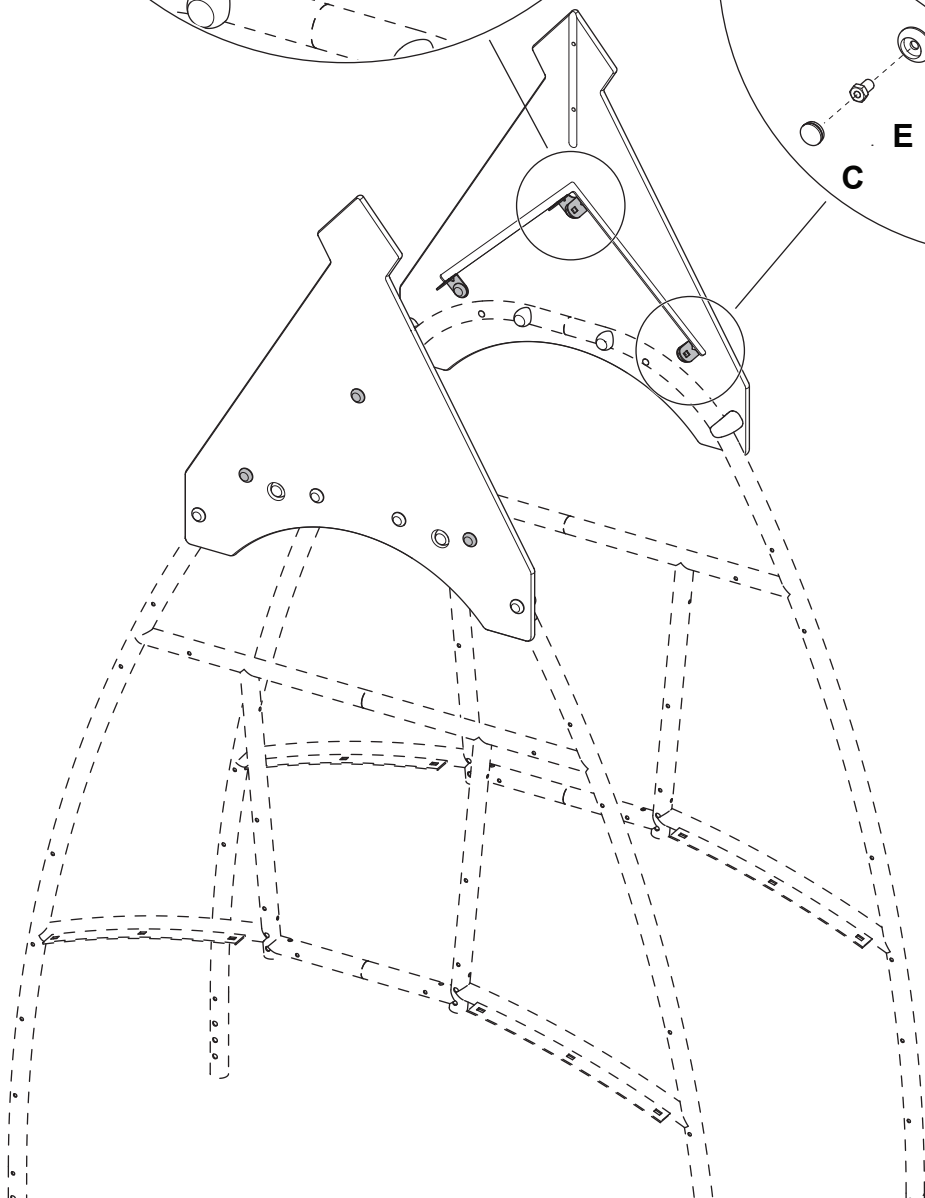
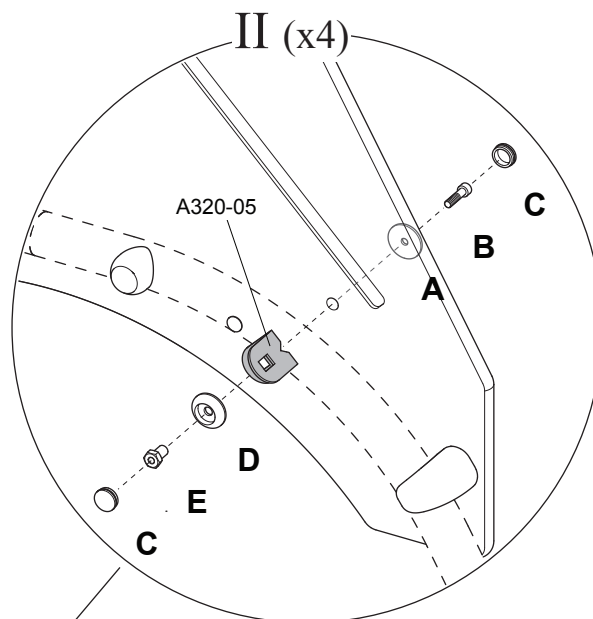
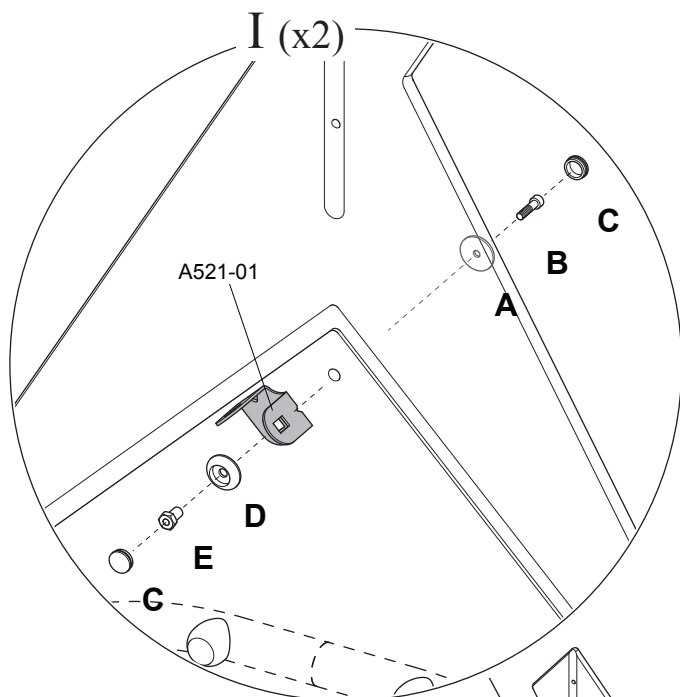


A640064-128

E



A640063-52





A



A640007-128

B



250101508050

C



A10015-140

D



A540020-128

E

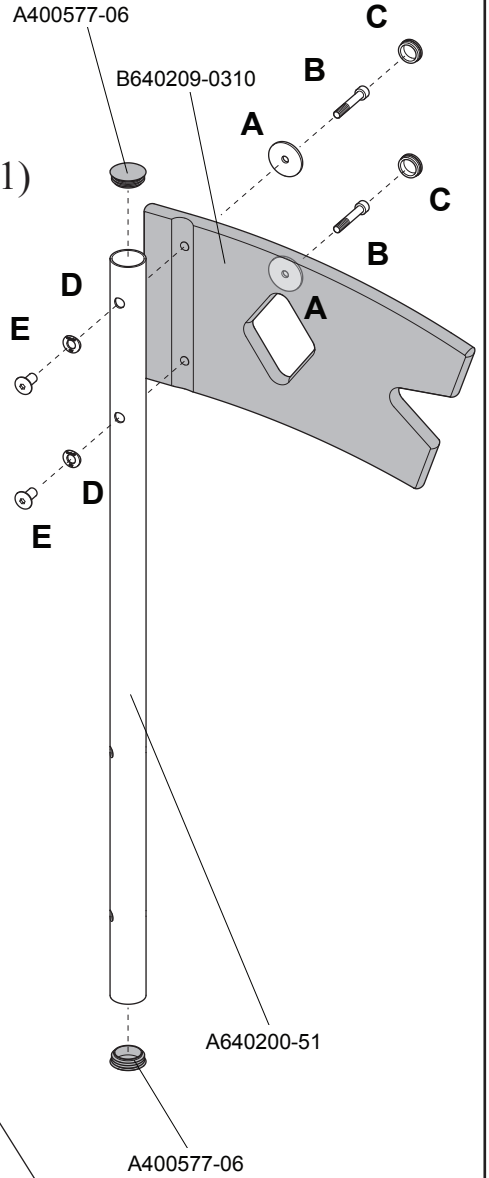


A540019-52

A400577-06

B640209-0310

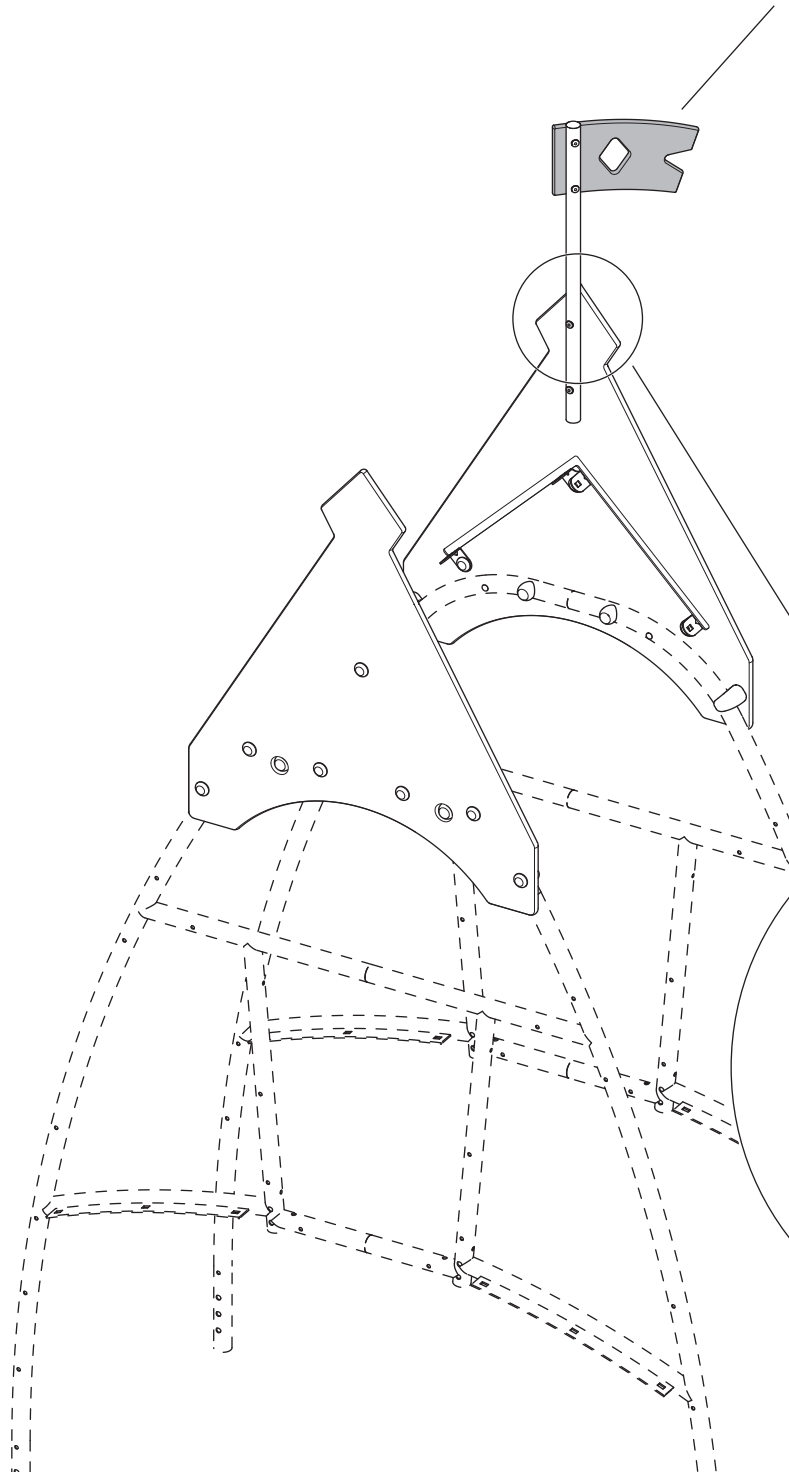
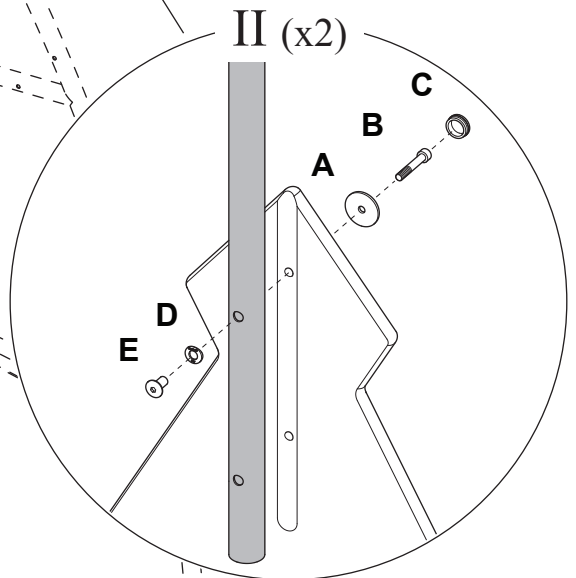
I (x1)



A640200-51

A400577-06

II (x2)





A



A640007-128

B



250101508030

C



A10015-140

D



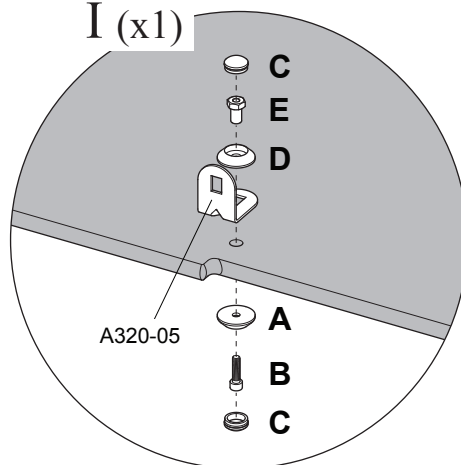
A640064-128

E



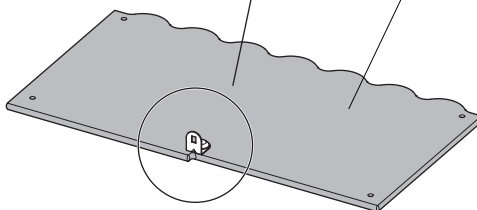
A640063-52

I (x1)



A320-05

B640205-0315





A



A640007-128

B



250101508030

C



A10015-140

D

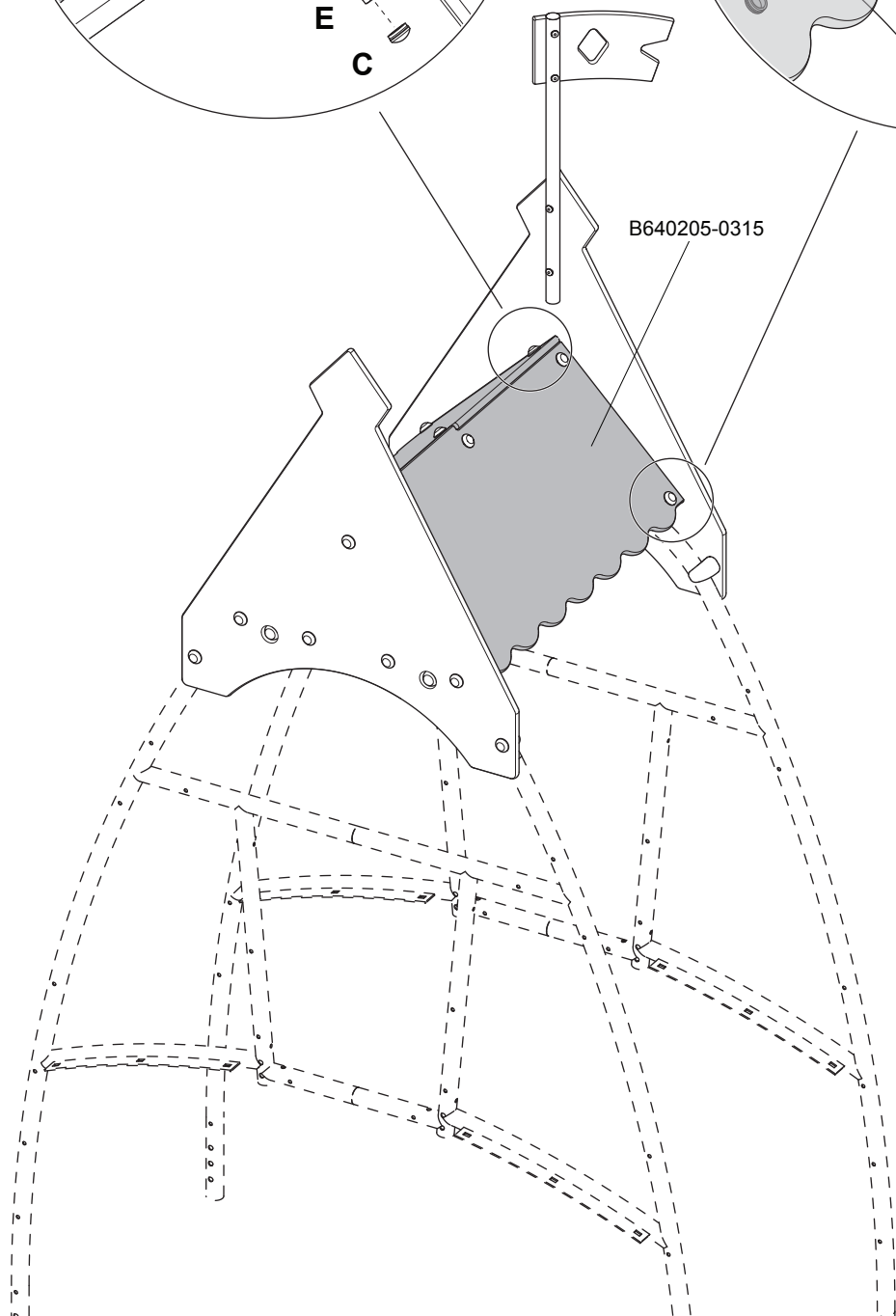
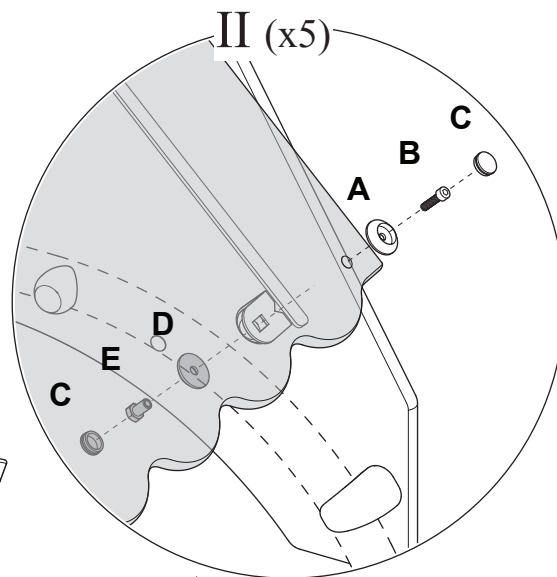
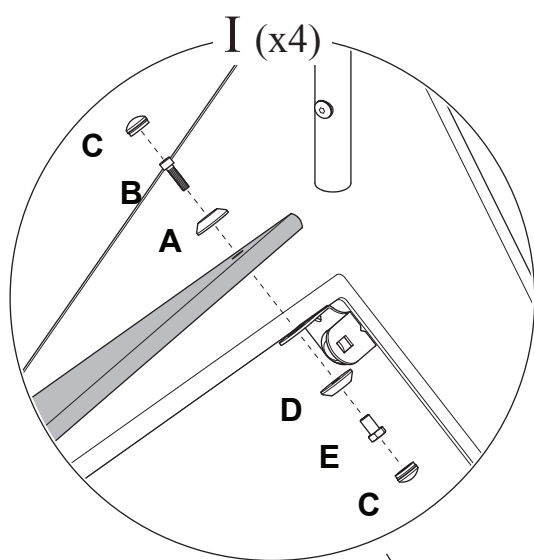


A640064-128

E

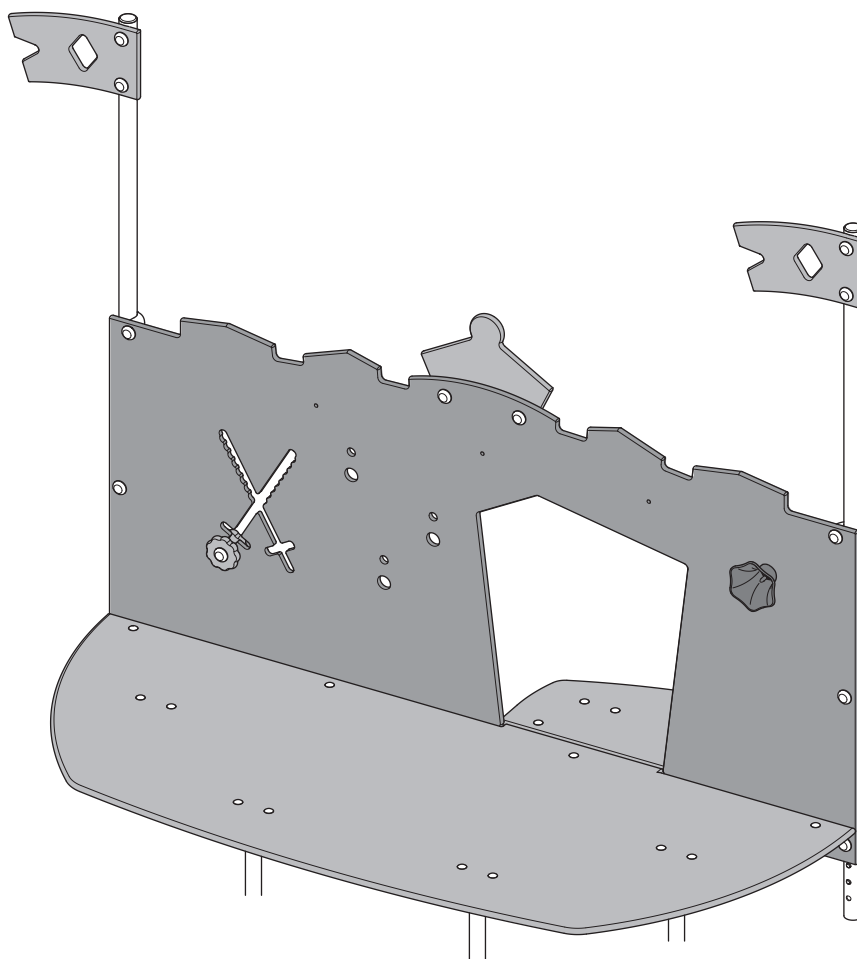


A640063-52



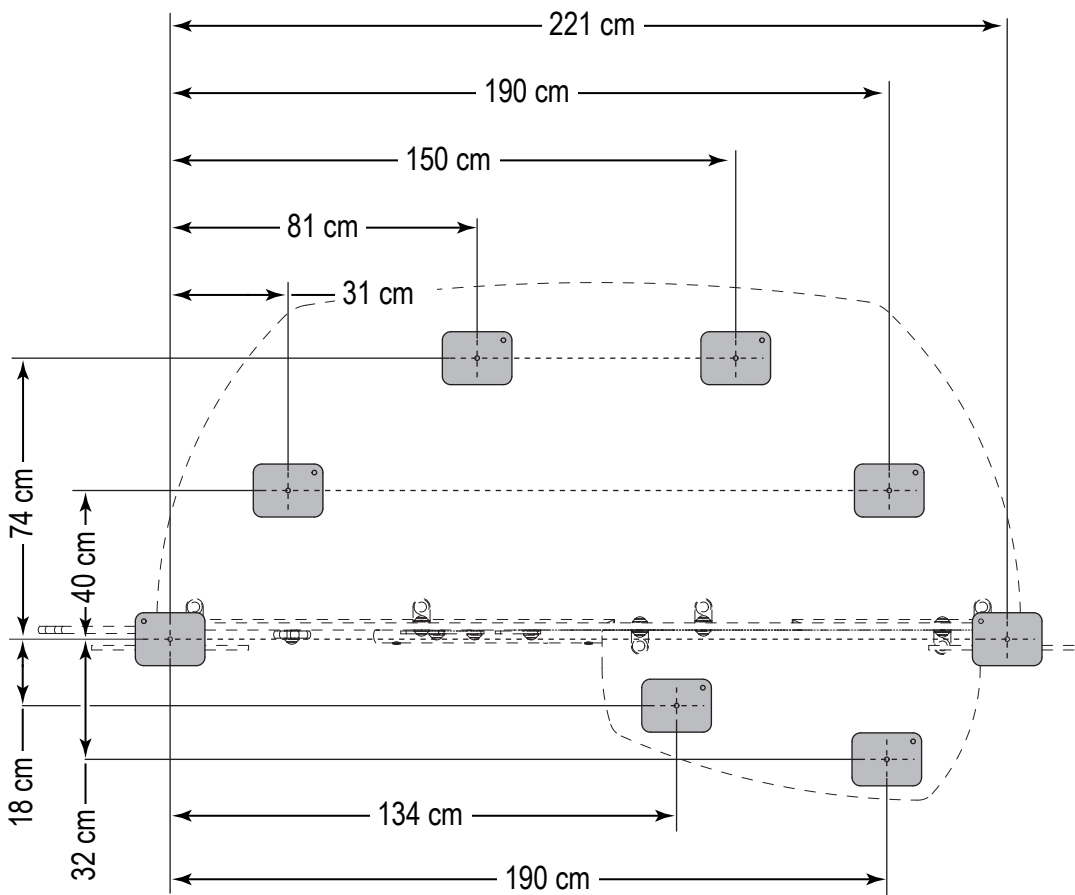
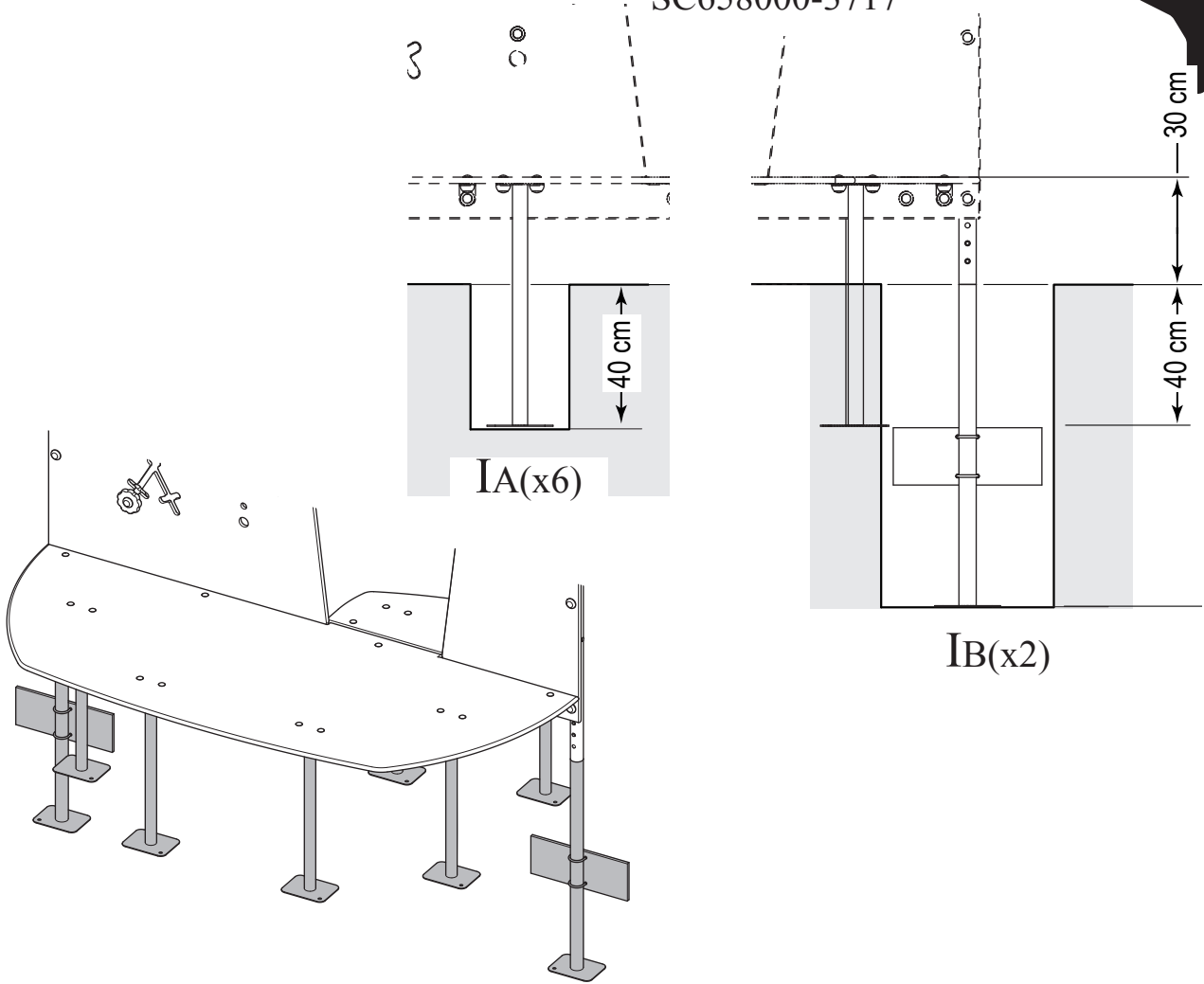
B640205-0315

SC658000-3717P
SC658000-5017P



VSC658000XX17P 20100729 AHE-Layout

SC658000-3717



VSC658000XX17P 20100729 AHE-Layout



A



110038-A2

B



A10086-06

C

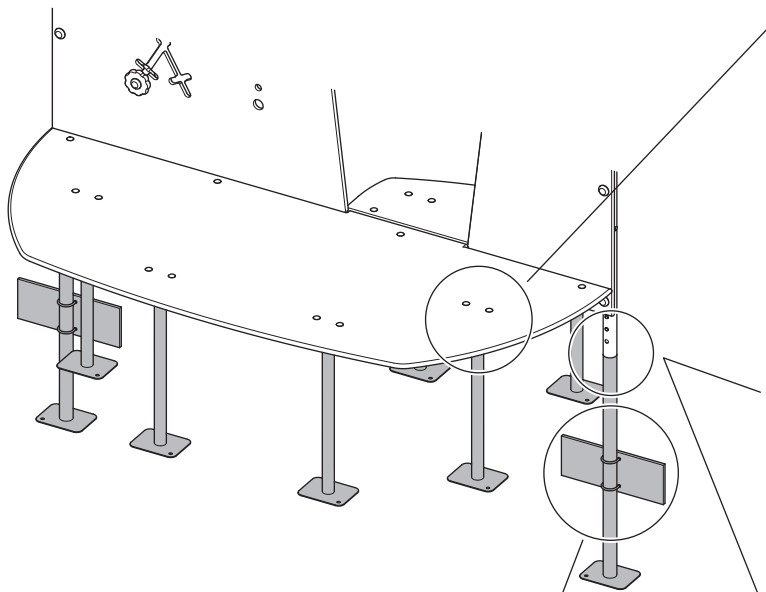


400010-A2

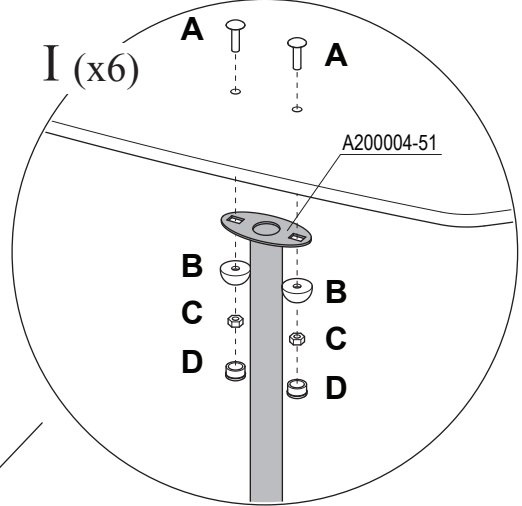
D



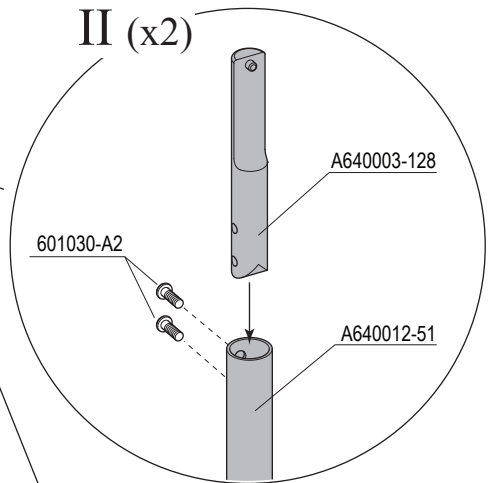
A10085-06



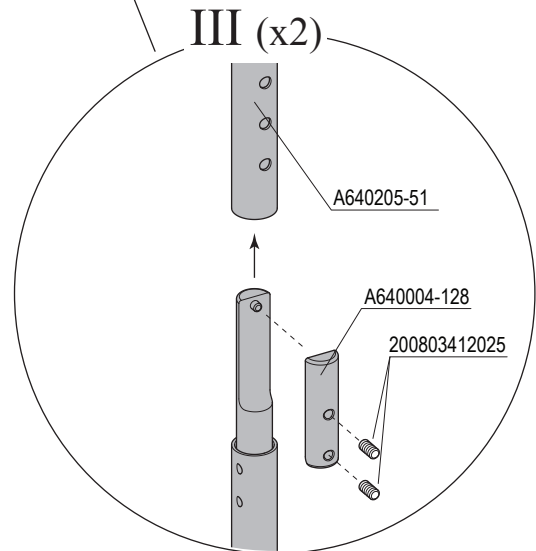
I (x6)



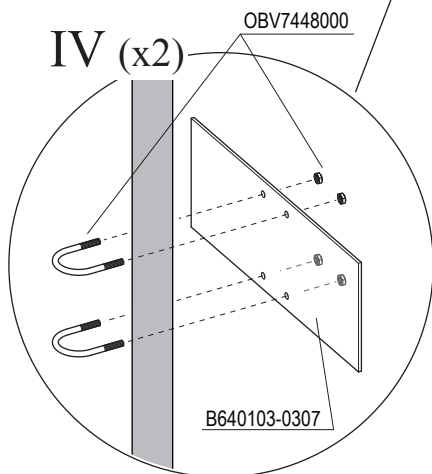
II (x2)



III (x2)



IV (x2)





A



110038-A2

B



A10086-06

C



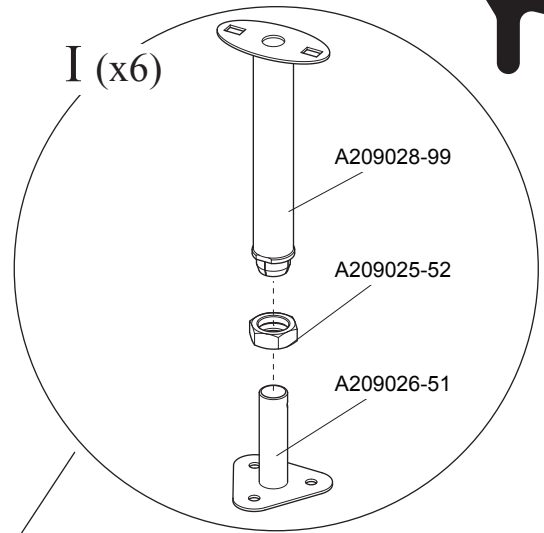
400010-A2

D

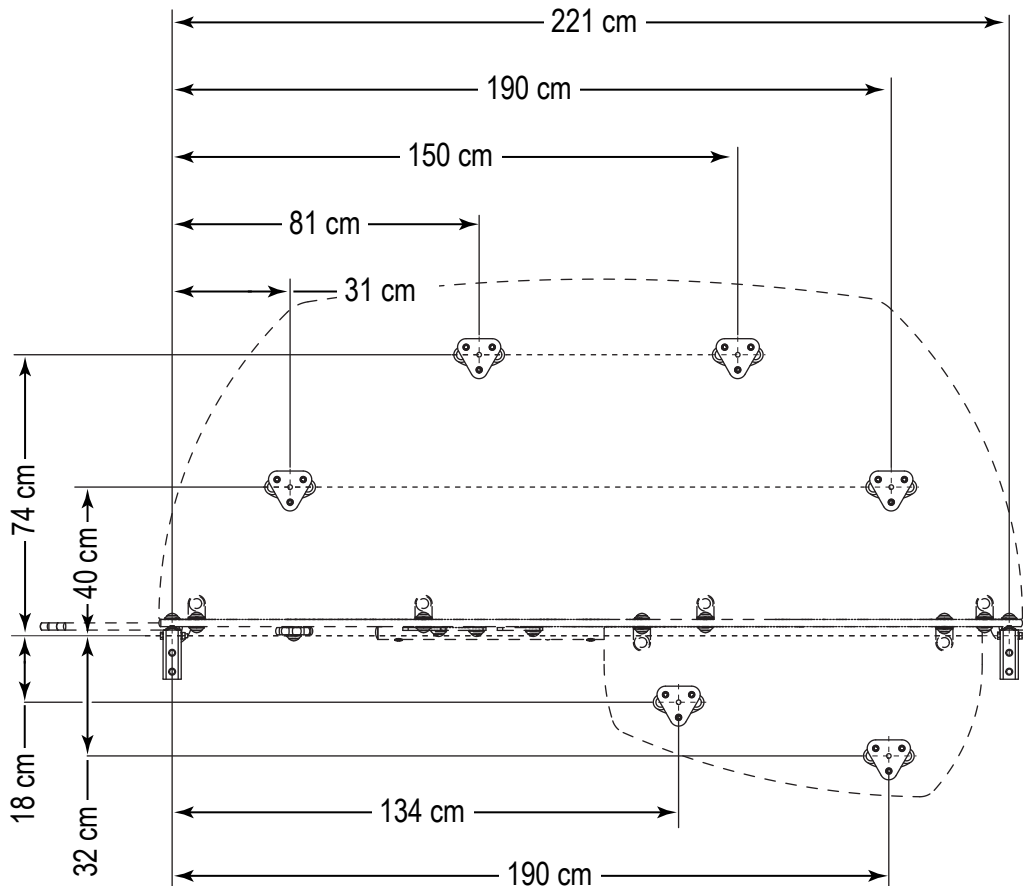
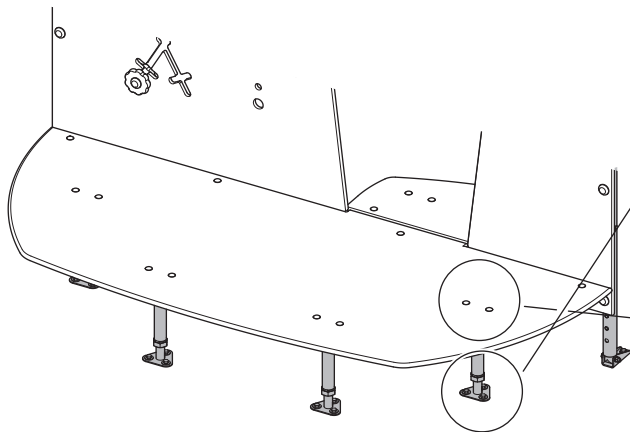
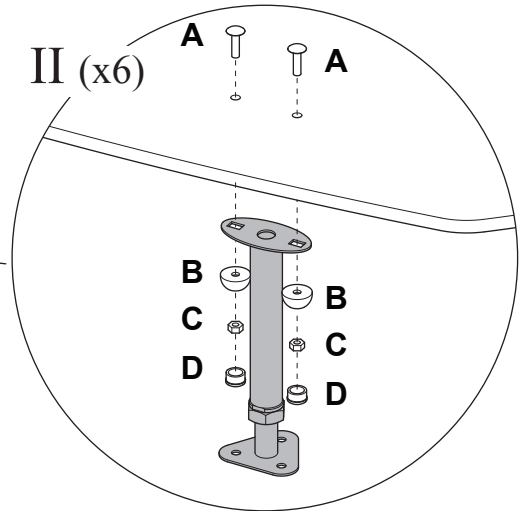


A10085-06

I (x6)

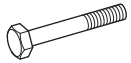


II (x6)





A



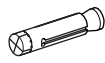
210065

B

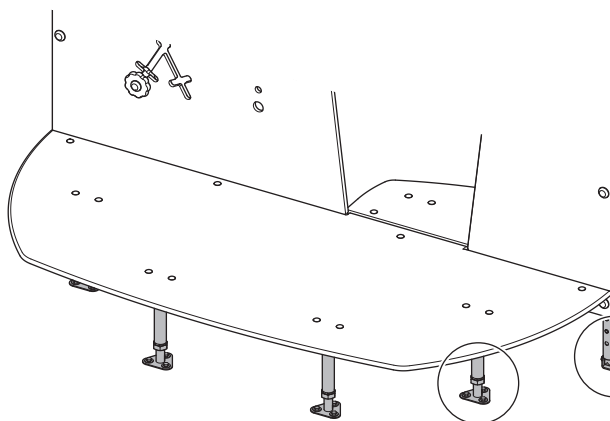


702530

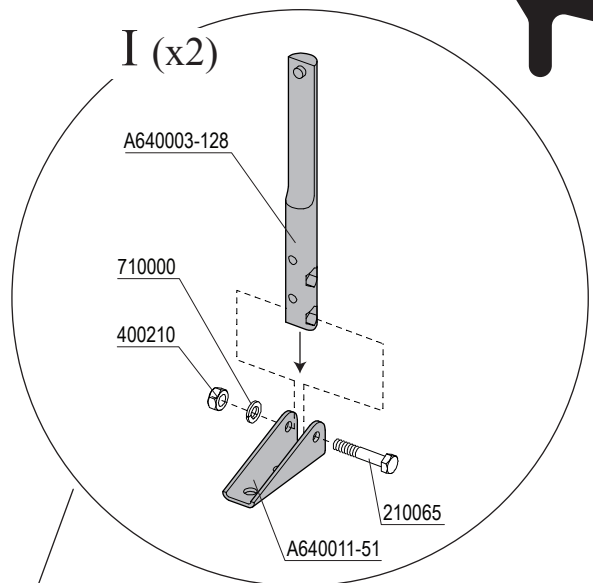
C



400315



I (x2)



A640003-128

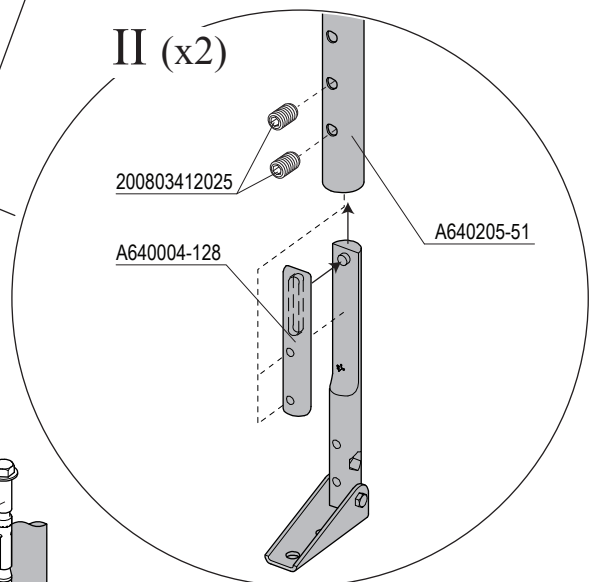
710000

400210

210065

A640011-51

II (x2)

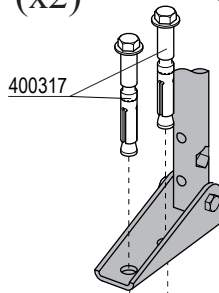


200803412025

A640004-128

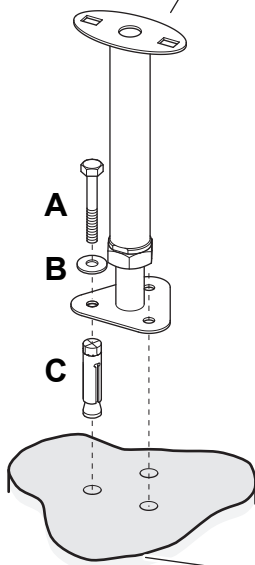
A640205-51

III B (x2)



400317

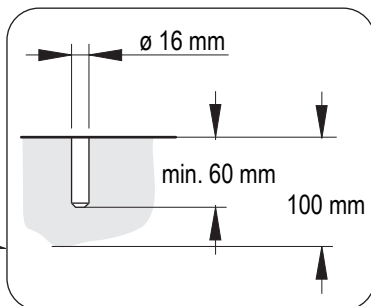
III A (x6)



A

B

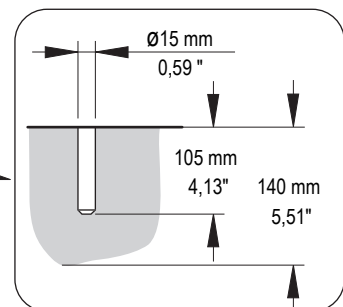
C



∅ 16 mm

min. 60 mm

100 mm



∅ 15 mm

0,59"

105 mm

4,13"

140 mm

5,51"

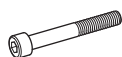


A



A640007-128

B



250101508060

C



A10015-140

D



A540020-128

E

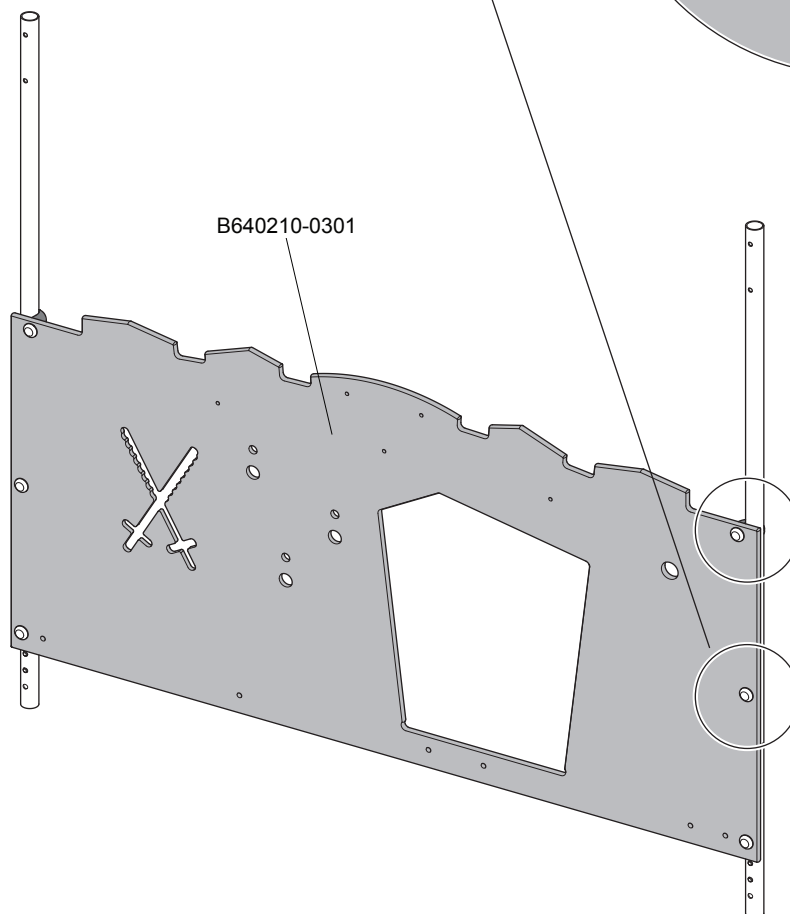
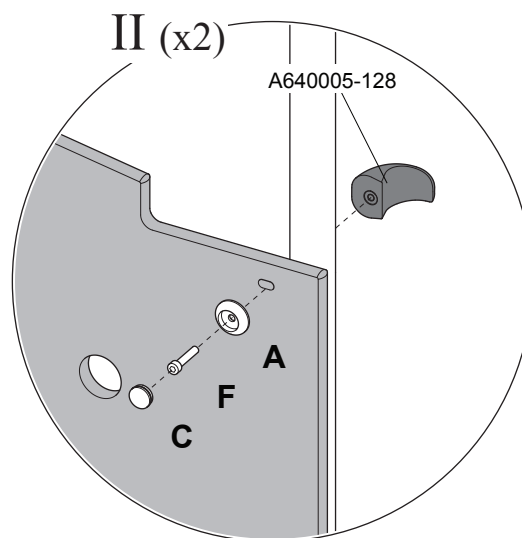
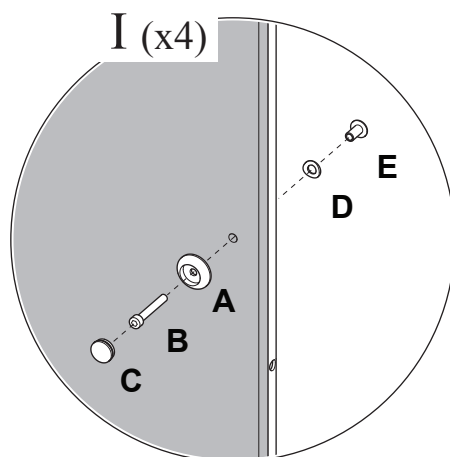


A540019-52

F



250101508040



B640210-0301

A640005-128



A



A640007-128

B



250101508060

C



A10015-140

D



A540020-128

E



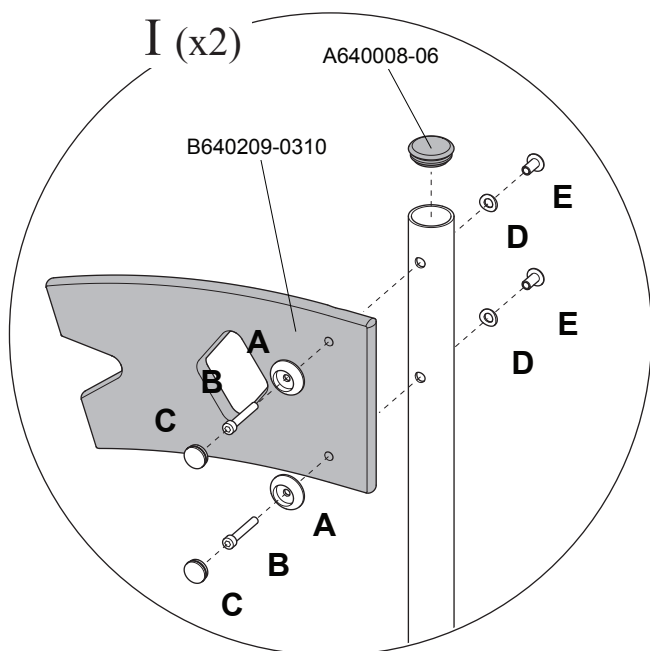
A540019-52

F

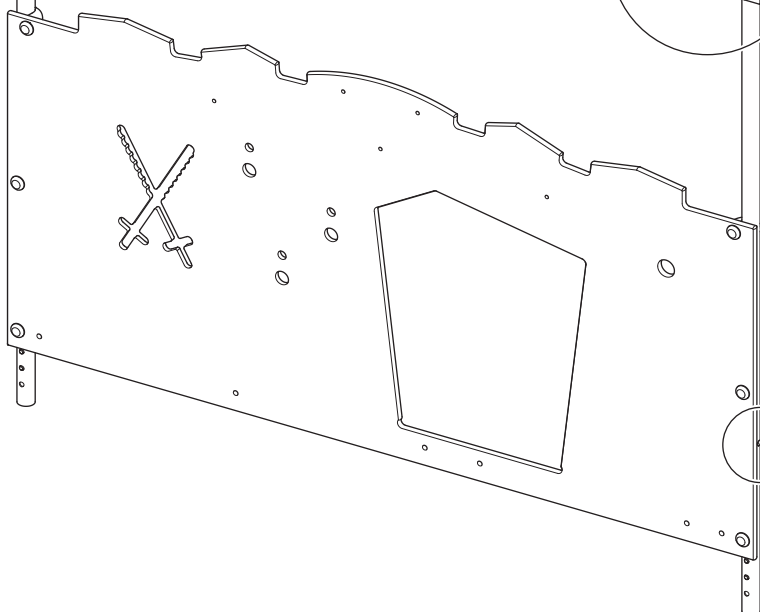
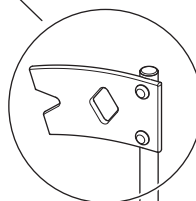
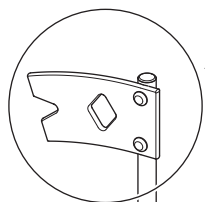
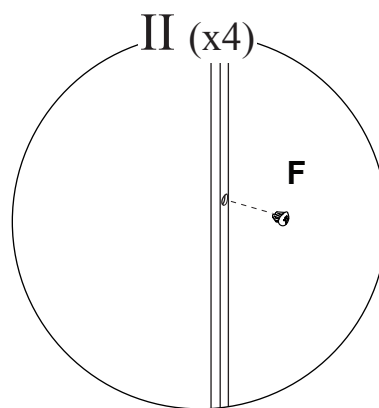


A400594-06

I (x2)



II (x4)



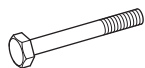


A



A640064-128

B



210075

C



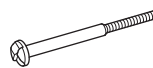
A10015-140

D



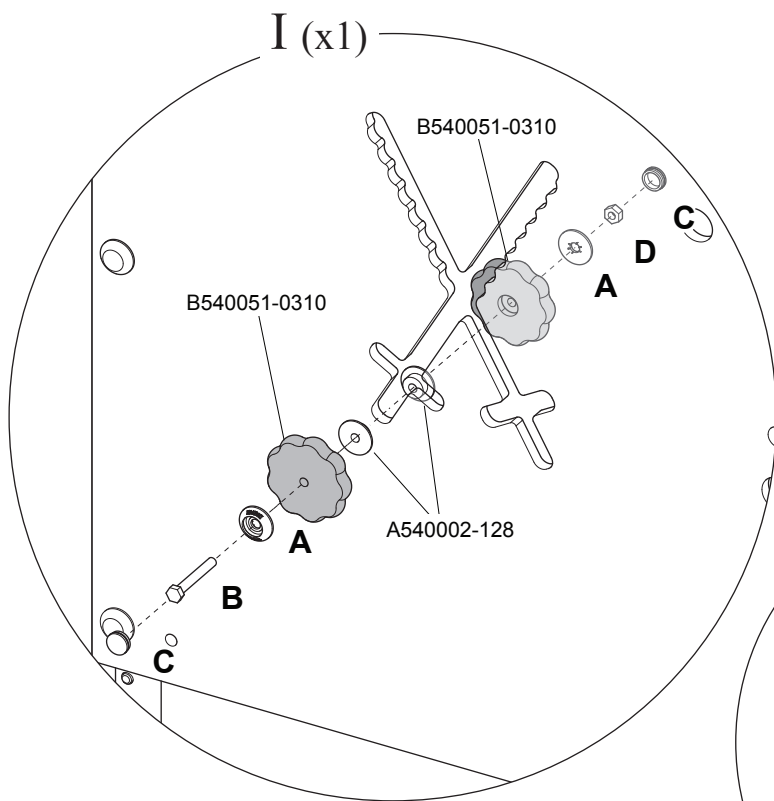
400210

E

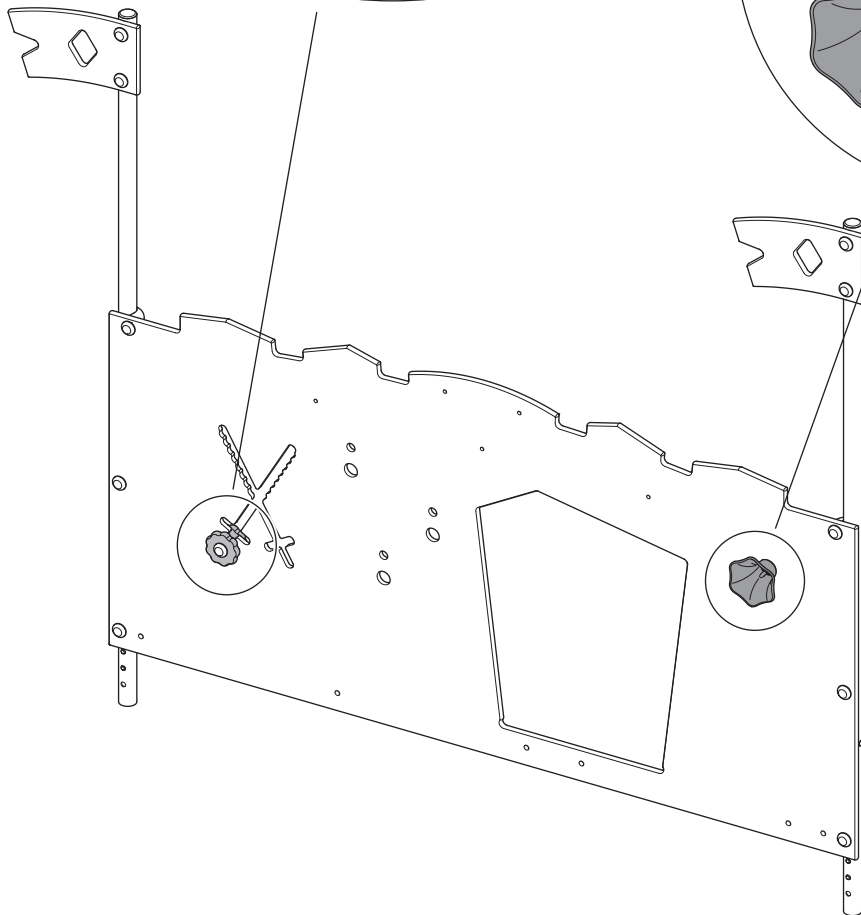
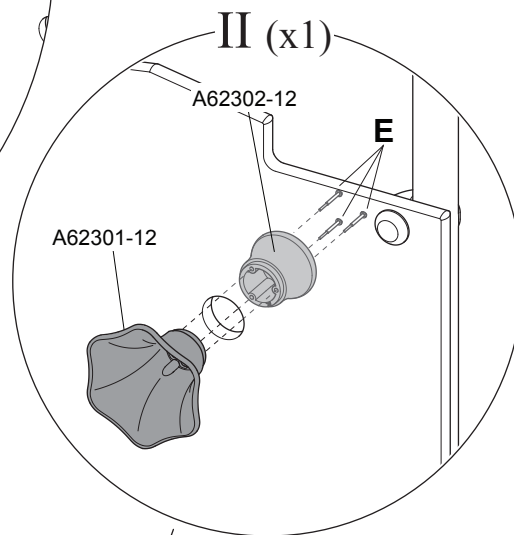


914045

I (x1)



II (x1)





A



A640064-128

B



A640063-52

C



A10015-140

D



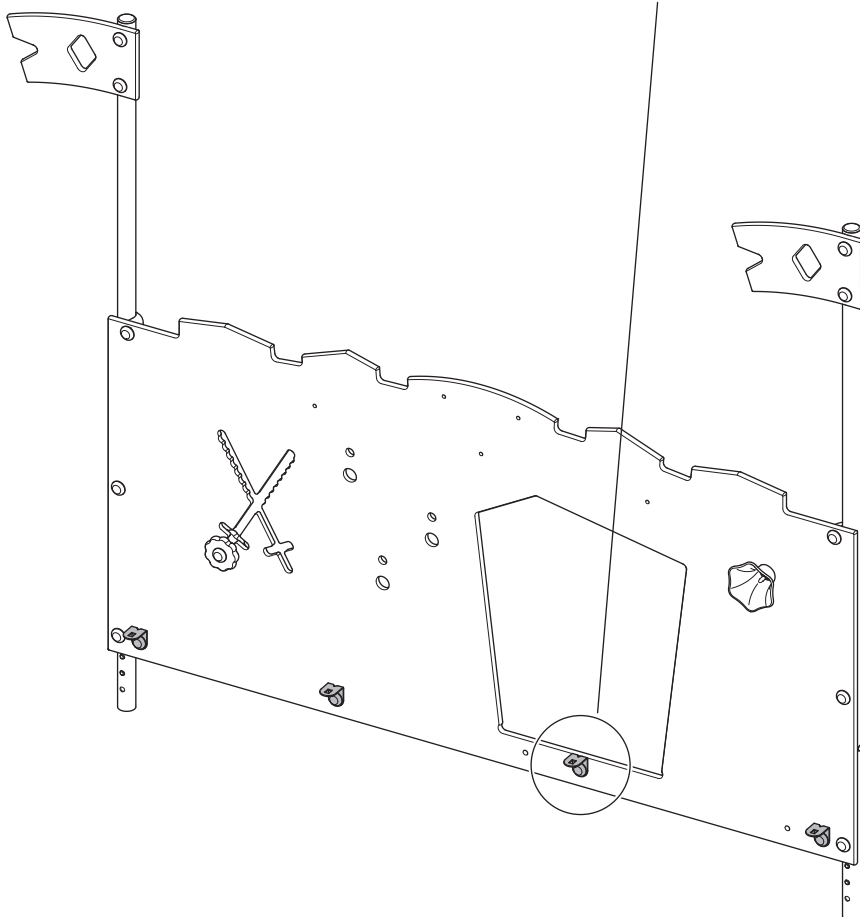
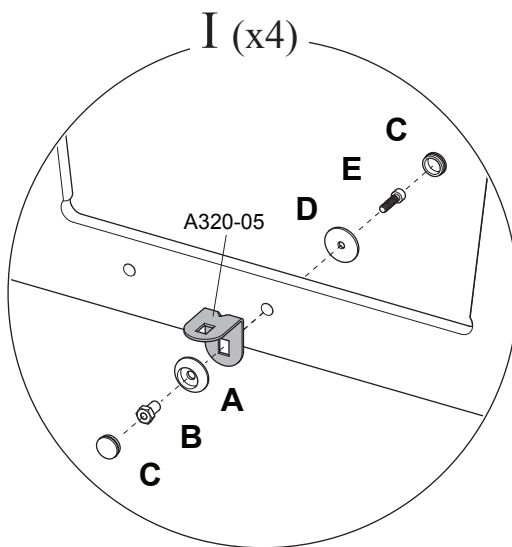
A640007-128

E



250101508030

I (x4)





A



A640007-128

B



250101508050

C



A10015-140

D



A540020-128

E



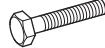
A540019-52

F



A640064-128

G

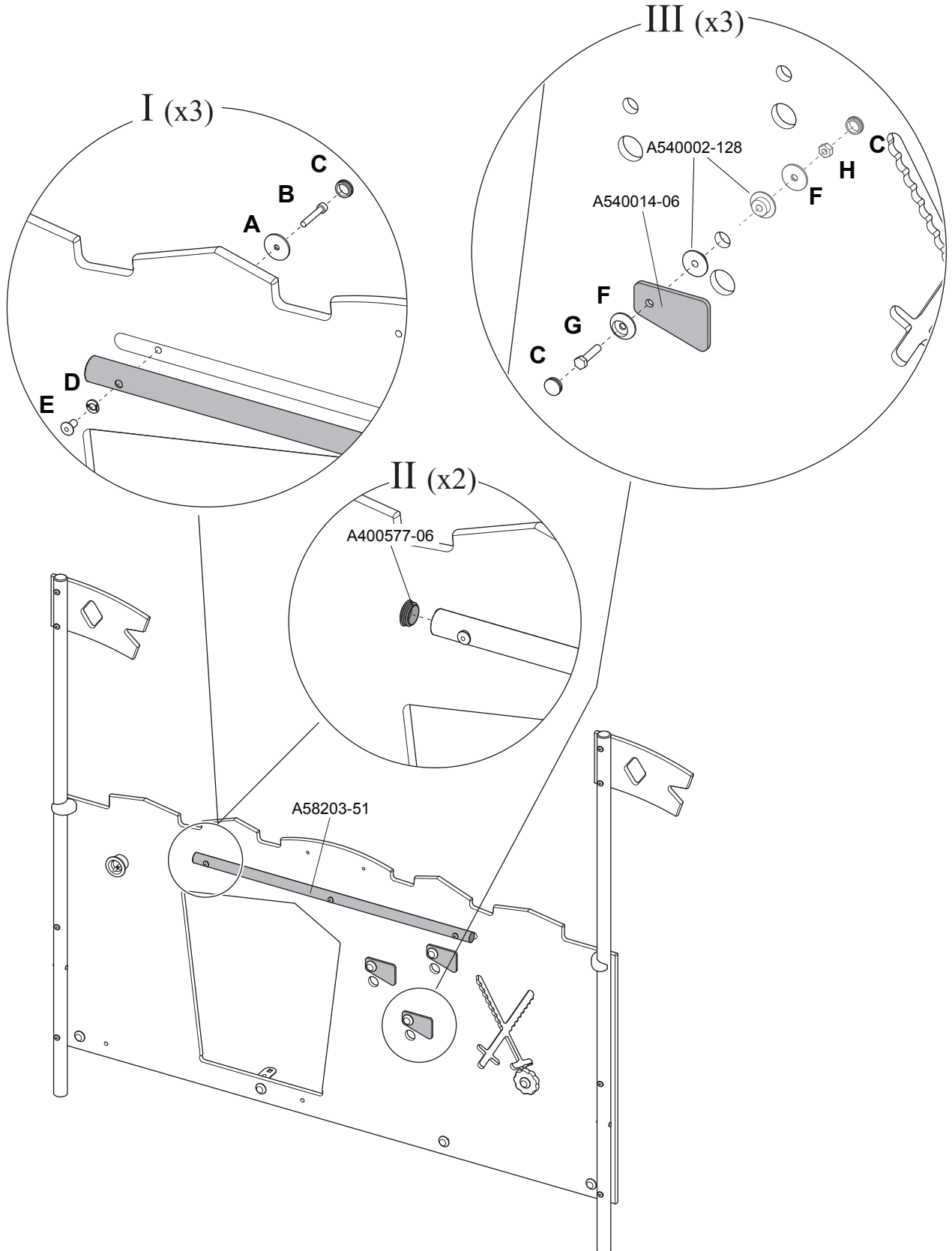


210045

H



400210





A



A640064-128

B



A640063-52

C



A10015-140

D



A640007-128

E

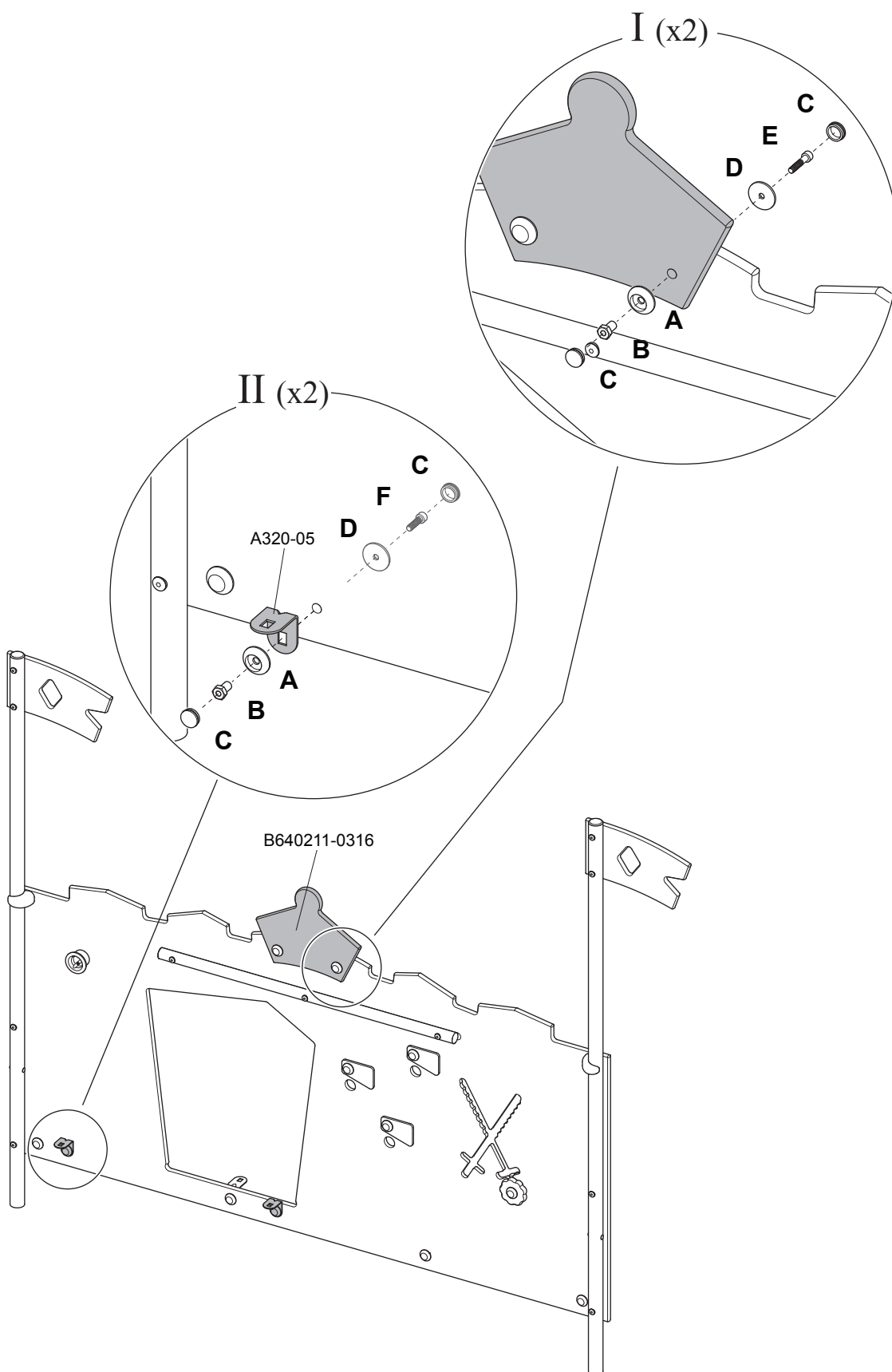


250101508040

F



250101508030



VSC658000XX17P 20100729 AHE-Layout



A



110038-A2

B



A10086-06

C

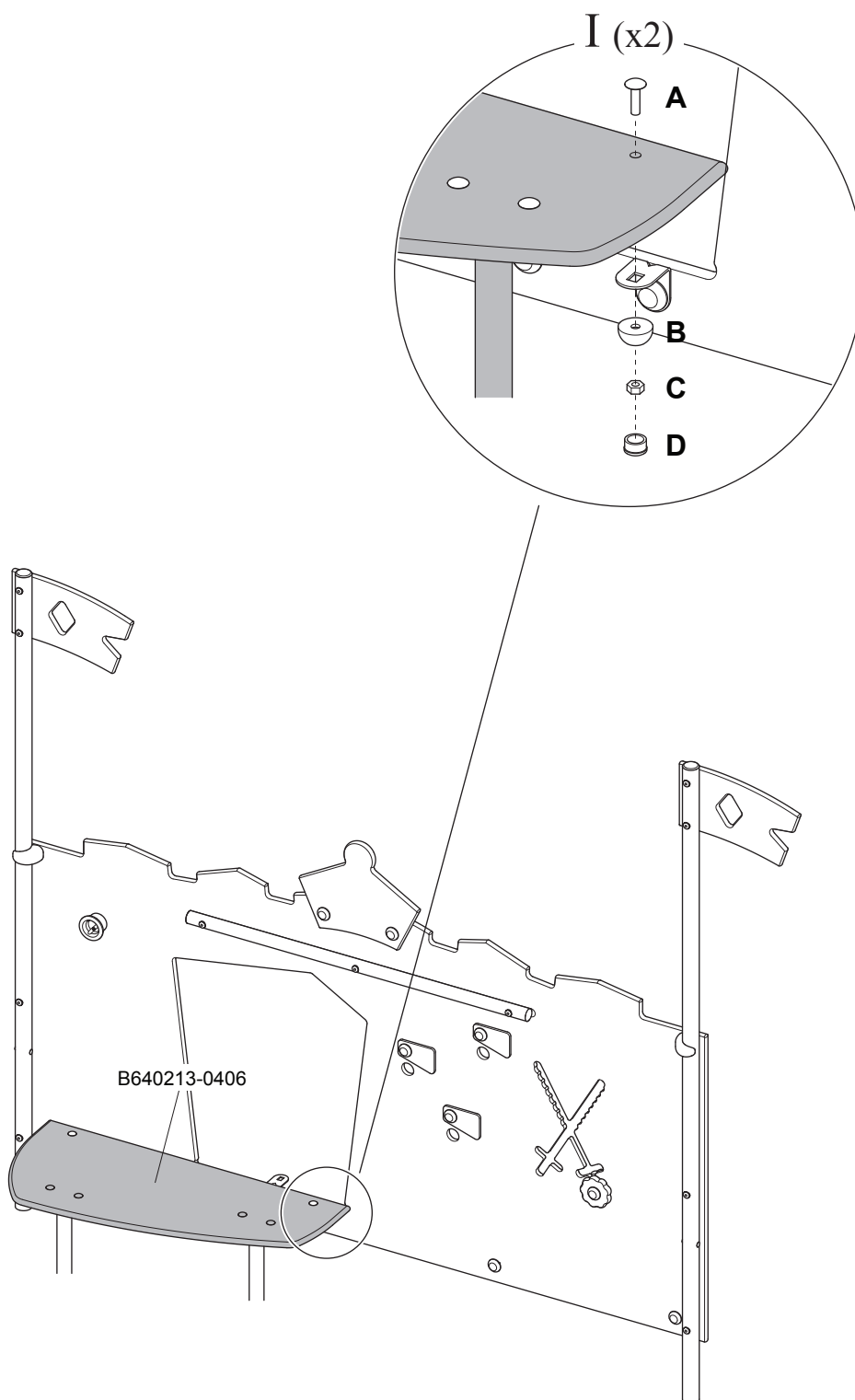


400010-A2

D



A10085-06



B640213-0406



A



110038-A2

B



A10086-06

C



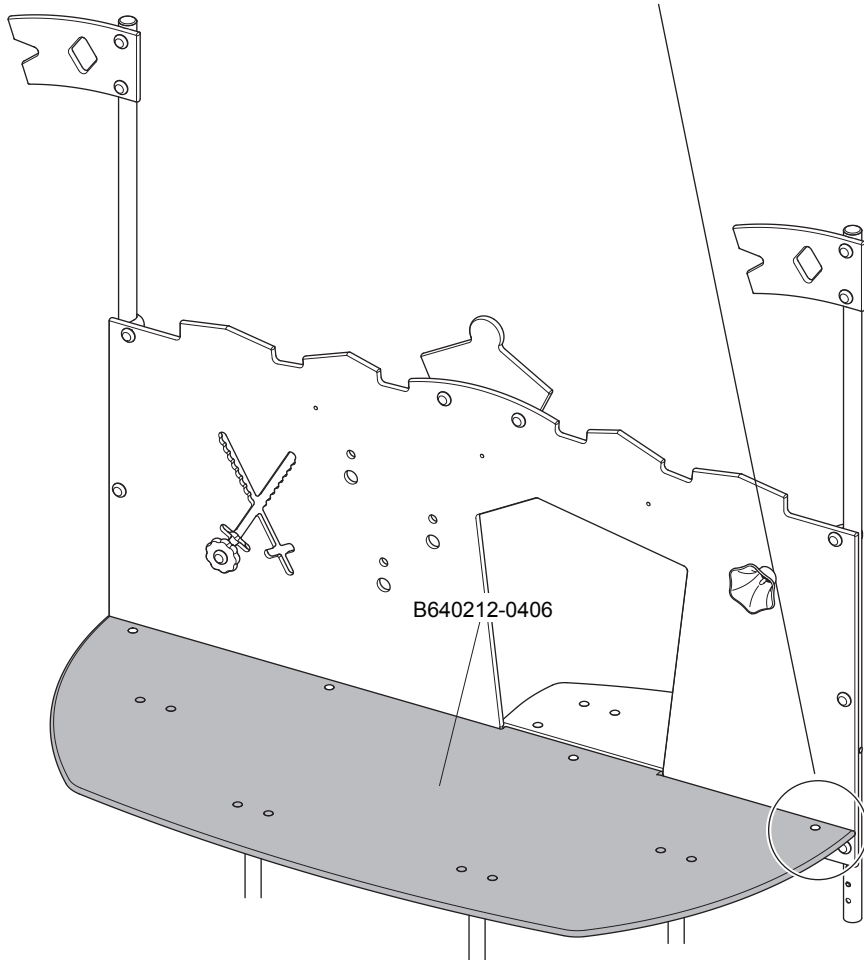
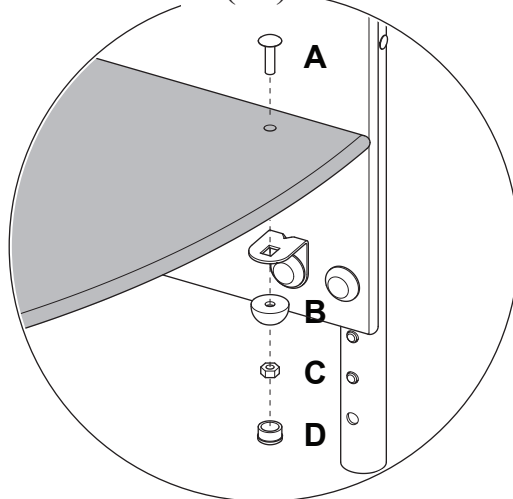
400010-A2

D



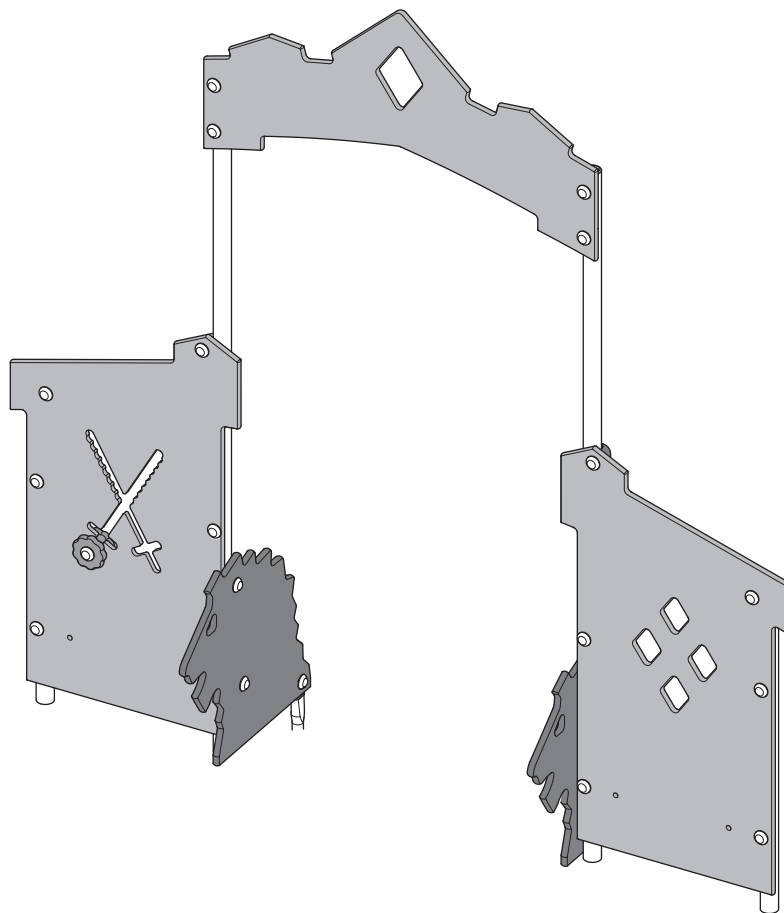
A10085-06

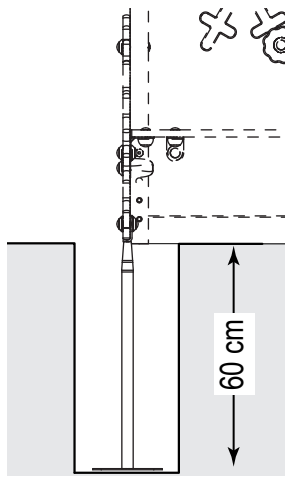
I (x4)



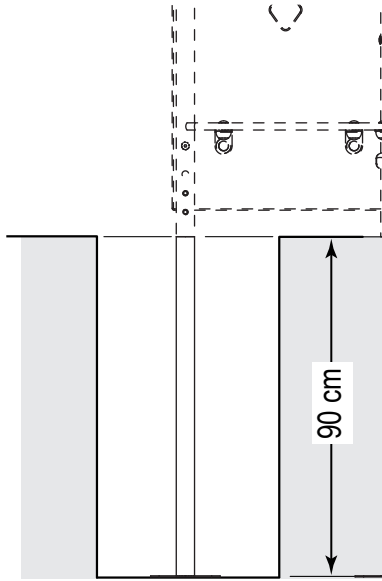
B640212-0406

SC658100-3717P
SC658100-5017P

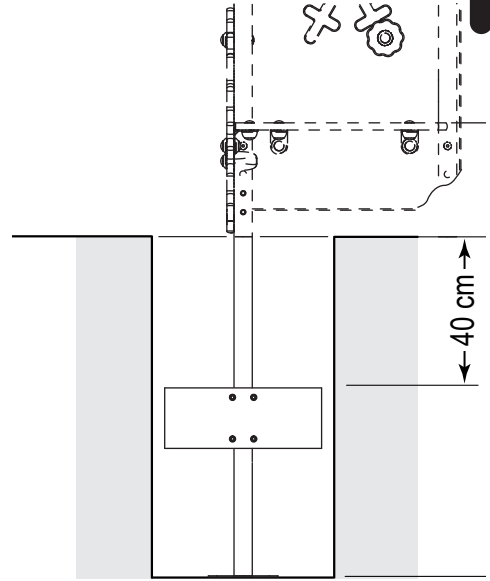




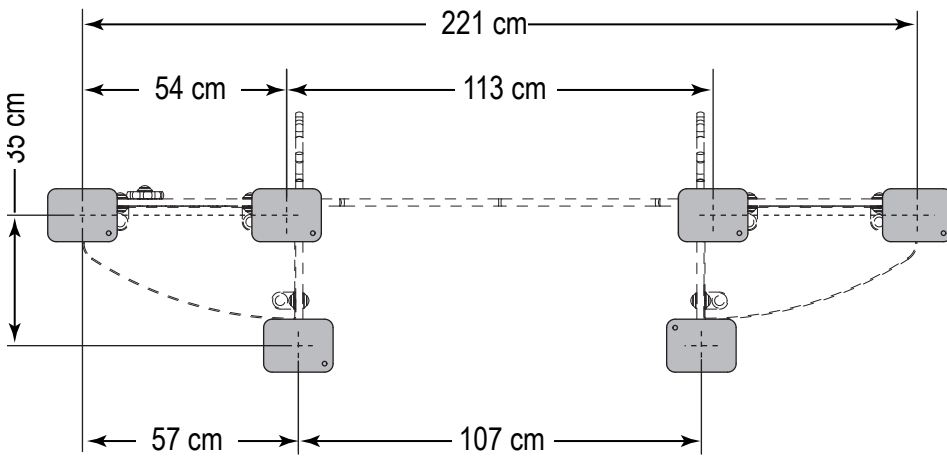
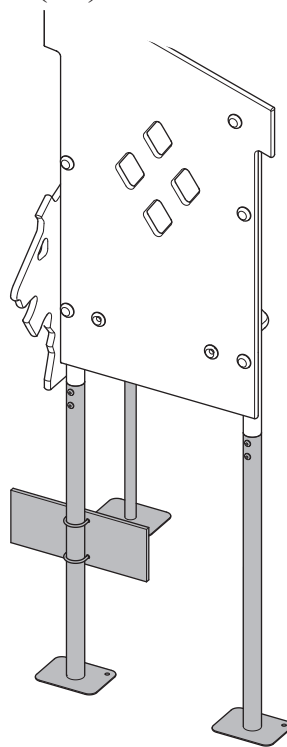
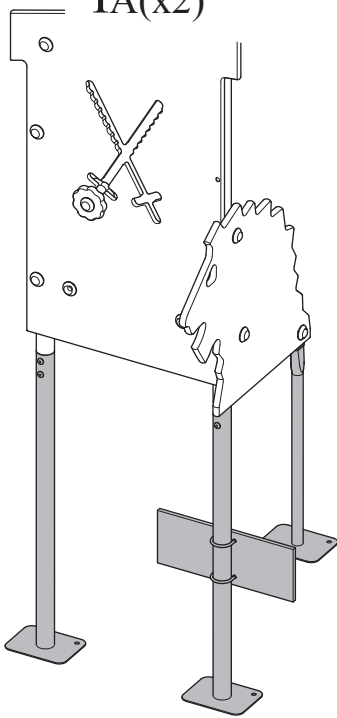
IA(x2)



IB(x2)



IC(x2)





A



A640064-128

B



A640063-52

C



A10015-140

D

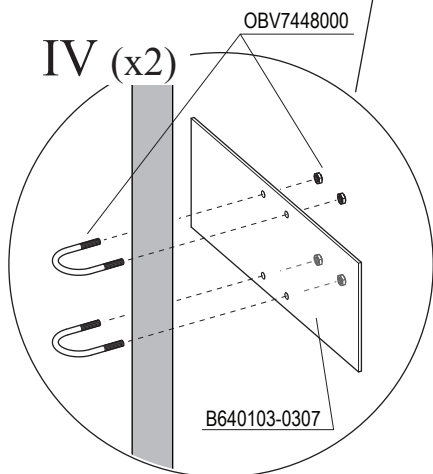
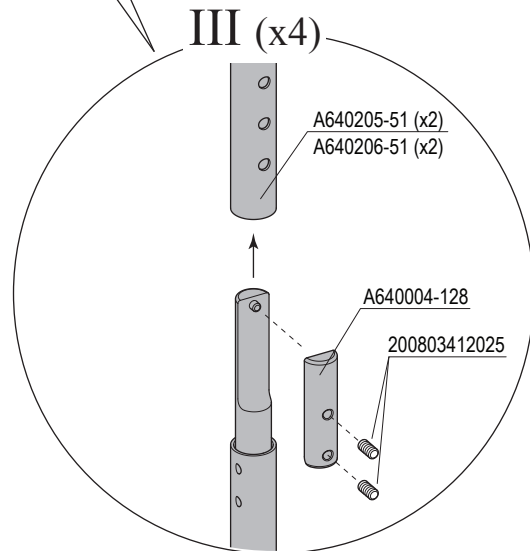
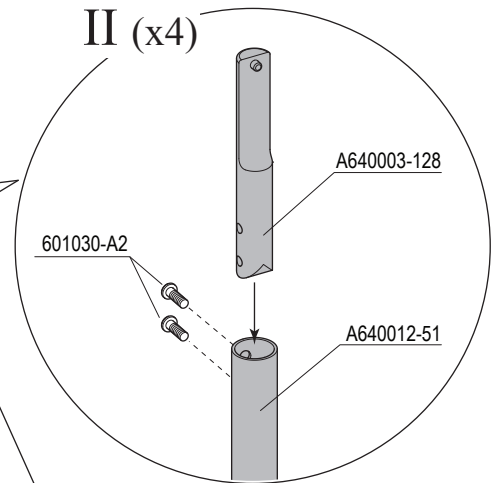
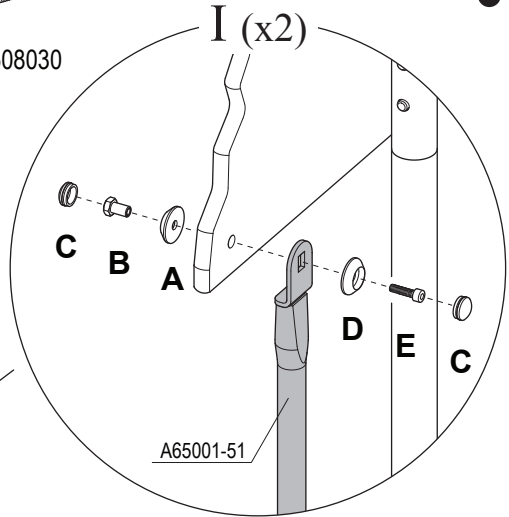
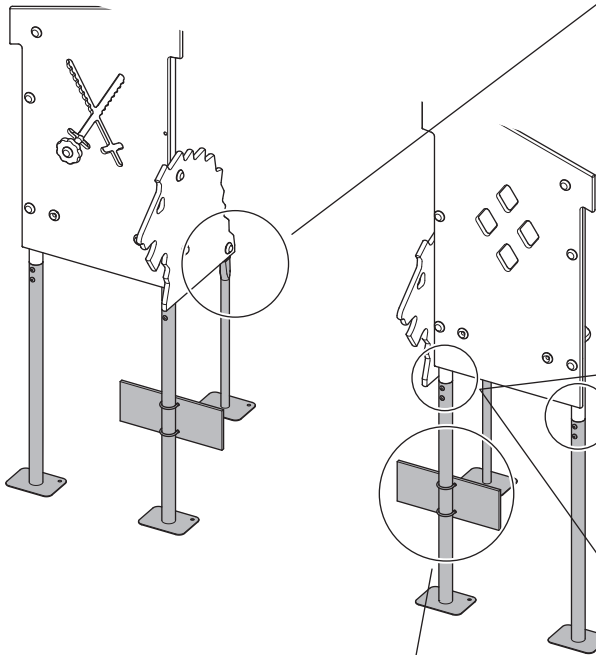


A640007-128

E



250101508030





A



A640064-128

B



A640063-52

C



A10015-140

D

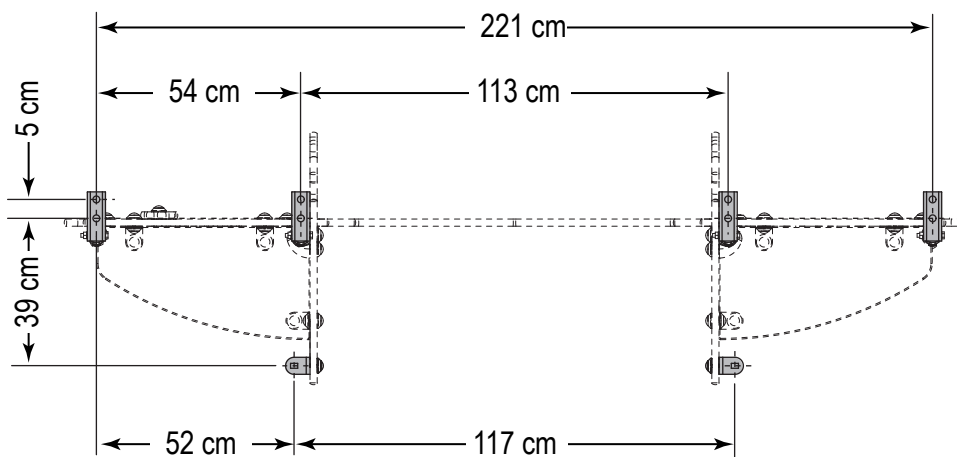
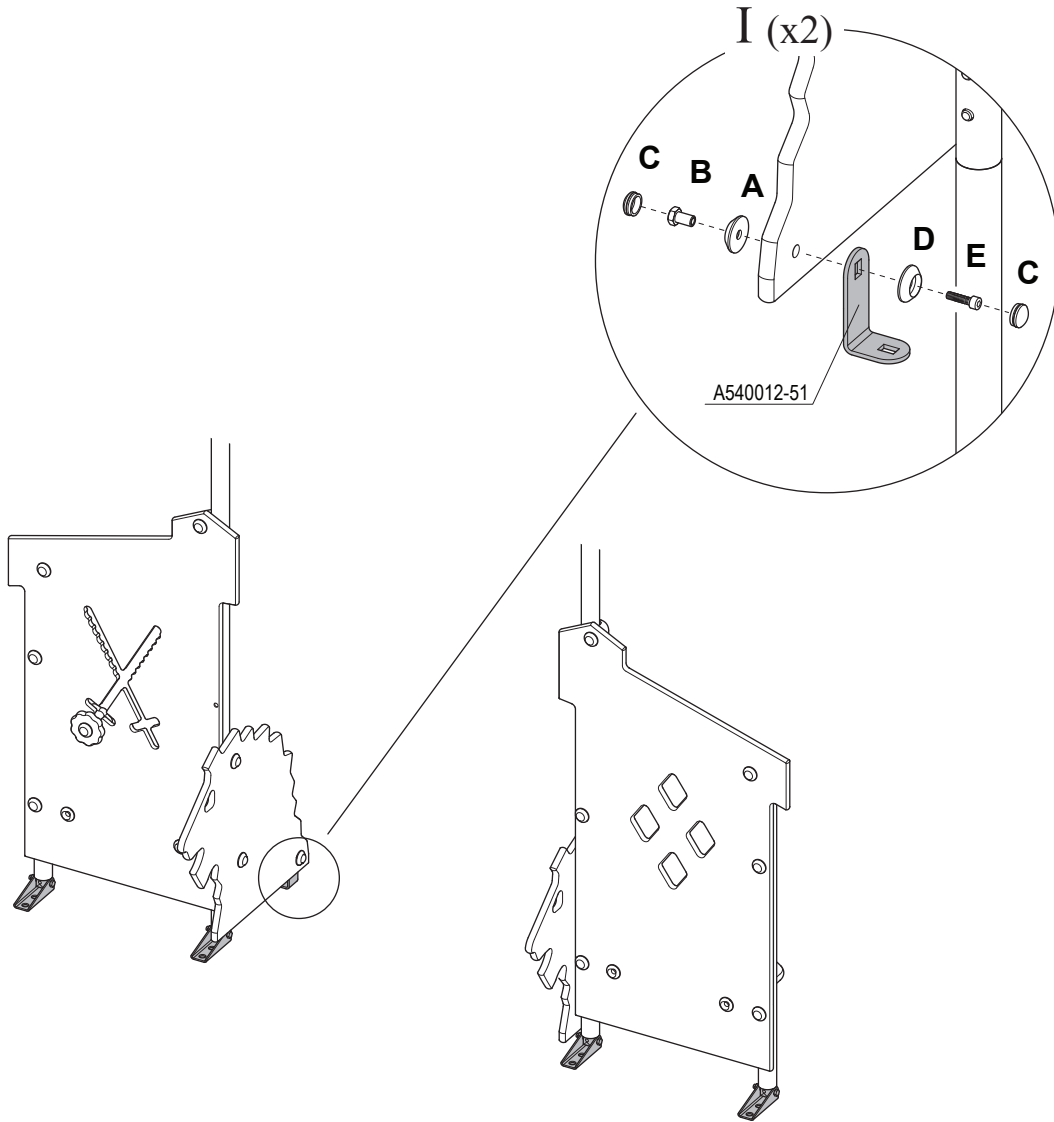


A640007-128

E

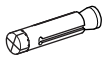


250101508030





A



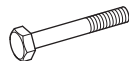
400315

B



A10080-06

C

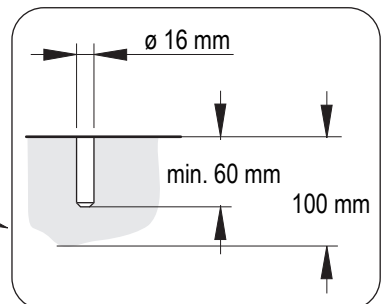
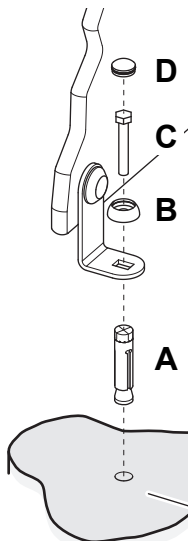
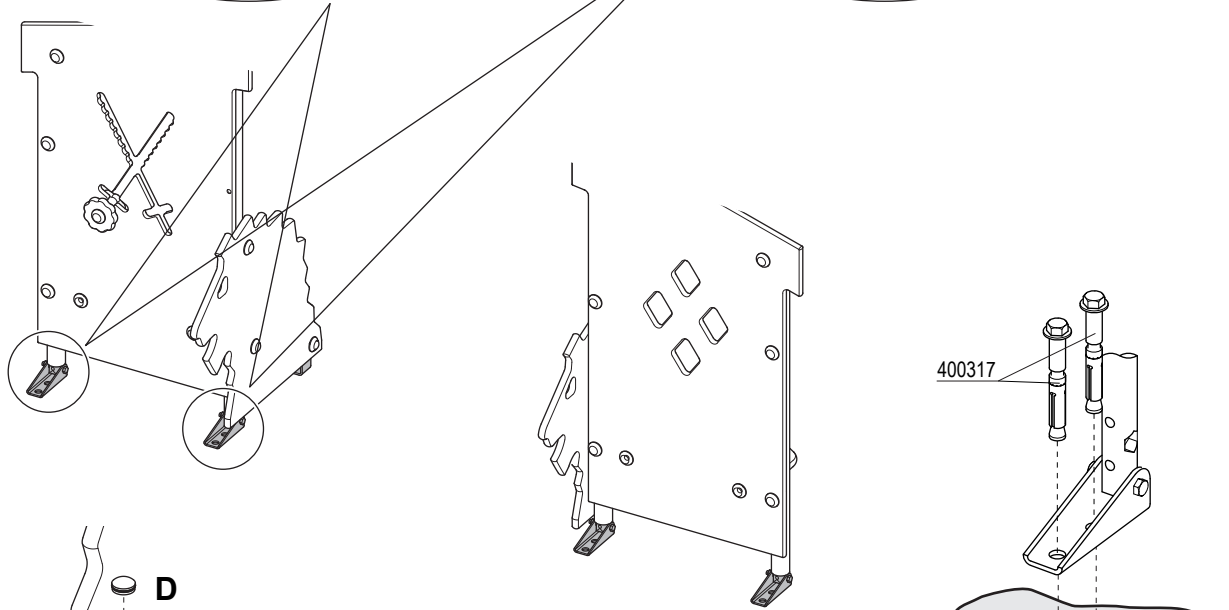
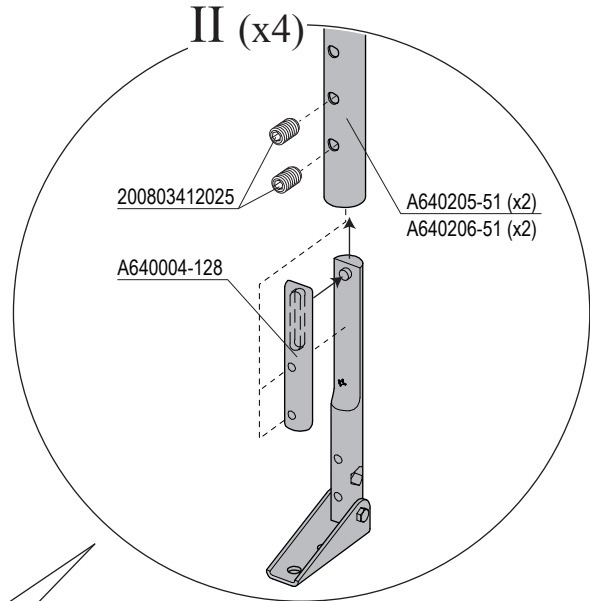
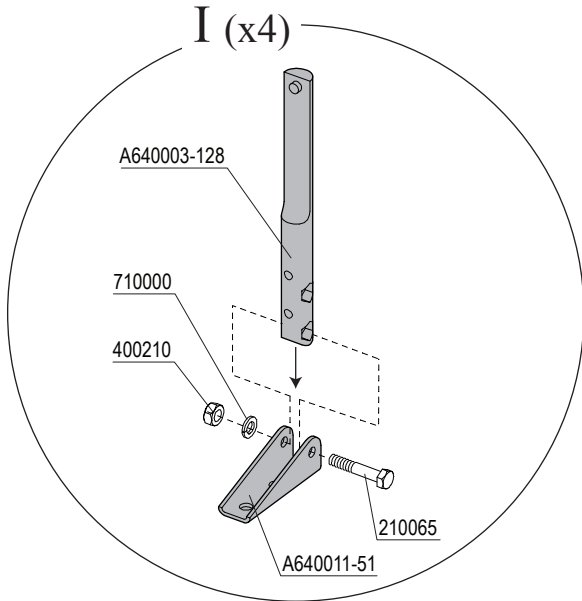


210065

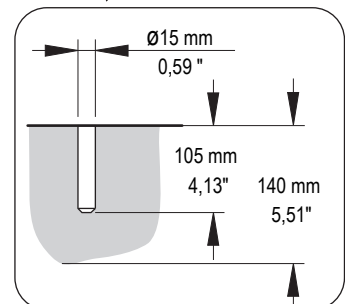
D



A10015-140



III B (x4)



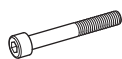


A



A640007-128

B



250101508060

C



A10015-140

D

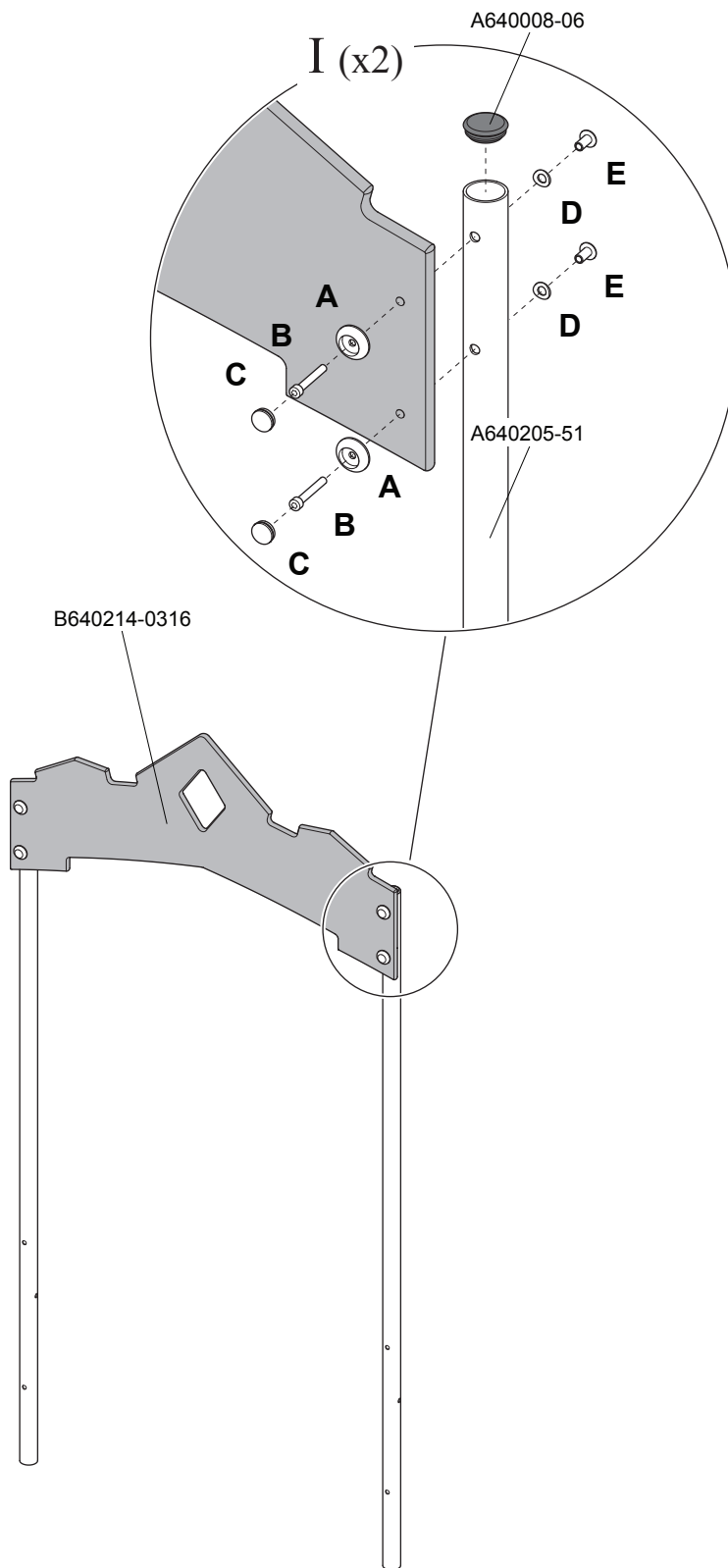


A540020-128

E



A540019-52



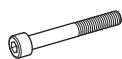


A



A640007-128

B



250101508060

C



A10015-140

D



A540020-128

E

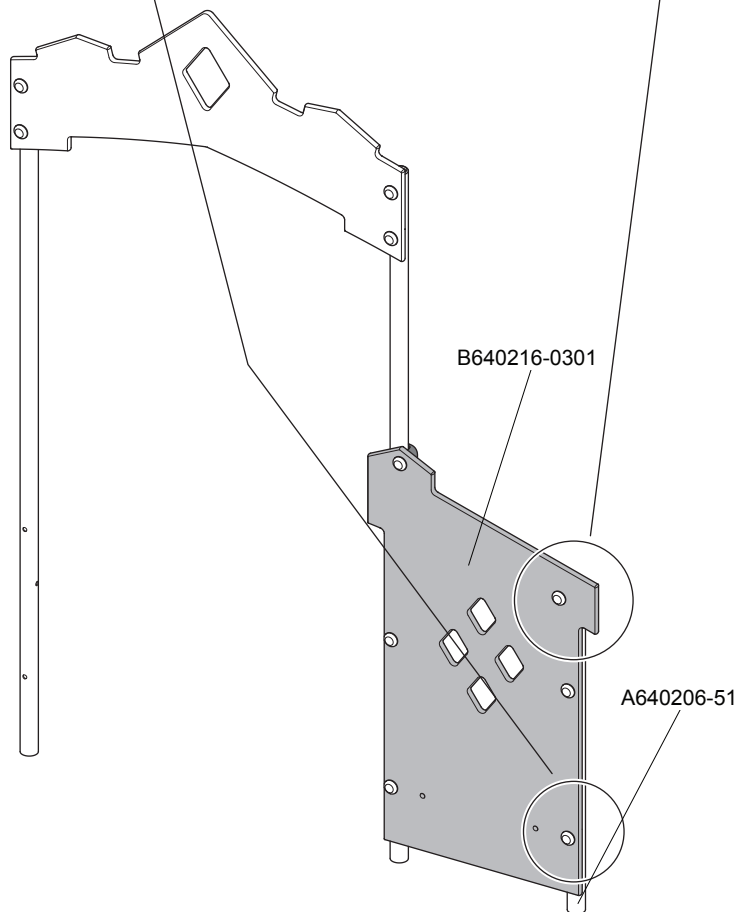
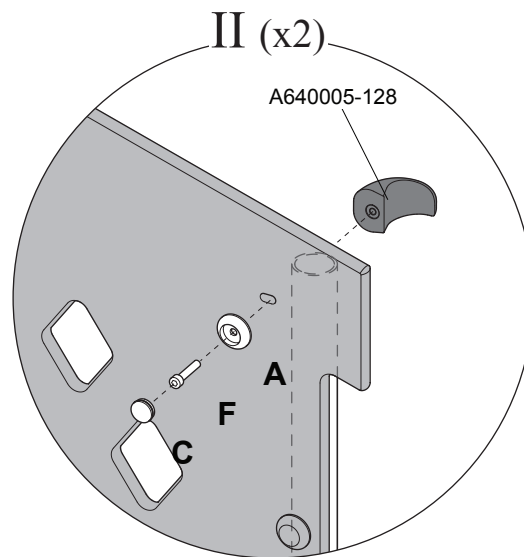
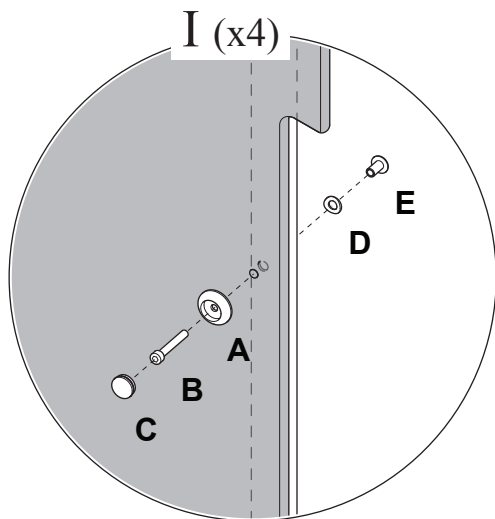


A540019-52

F

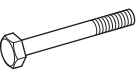



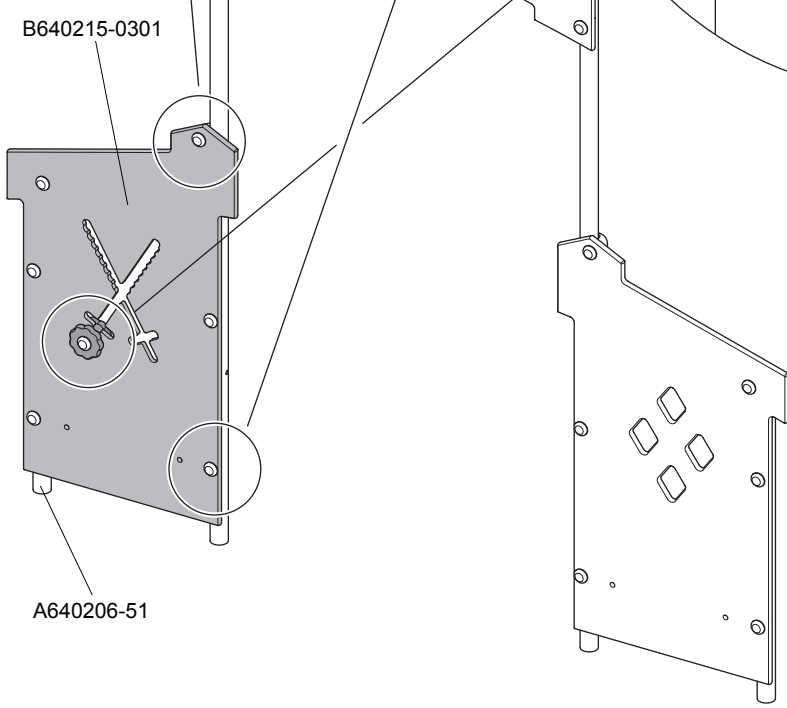
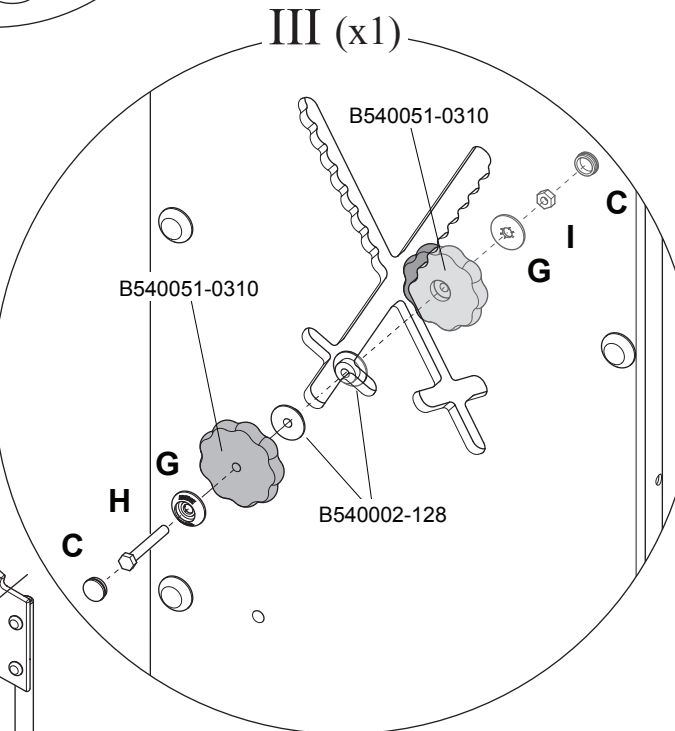
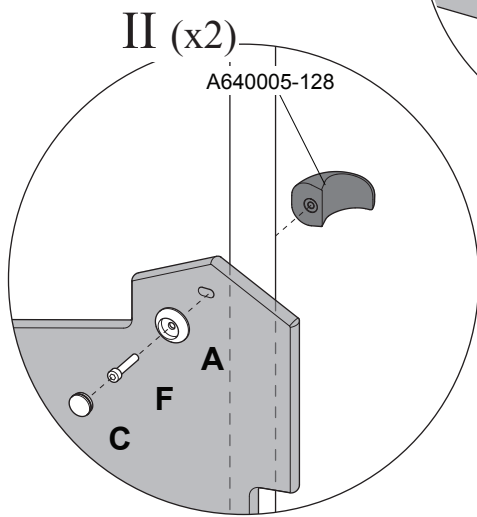
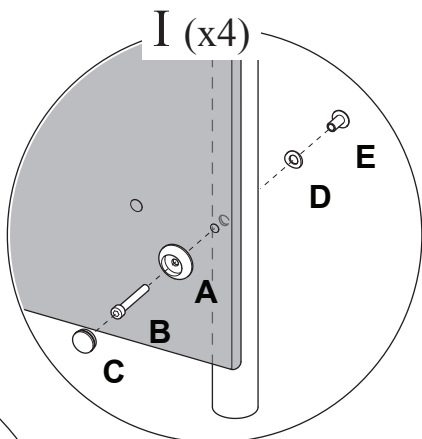
250101508040





- A**  A640007-128
- B**  250101508060
- C**  A10015-140
- D**  A540020-128
- E**  A540019-52
- F**  250101508040
- G**  A640064-128

- H**  210075
- I**  400210



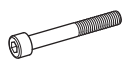


A



A640007-128

B



250101508060

C



A10015-140

D



A540020-128

E

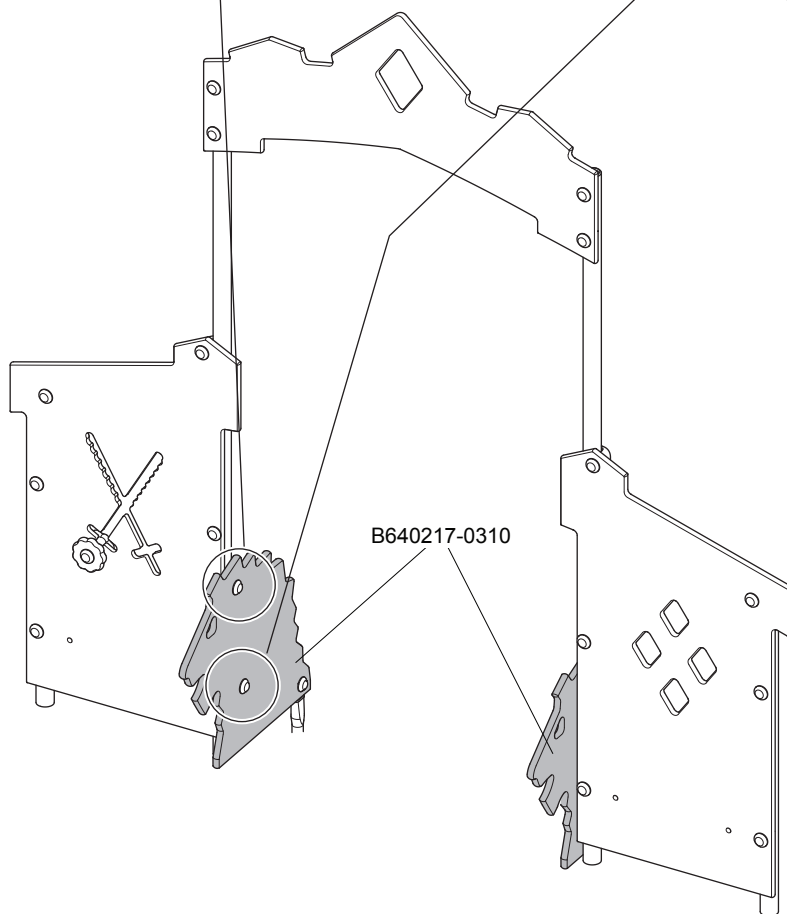
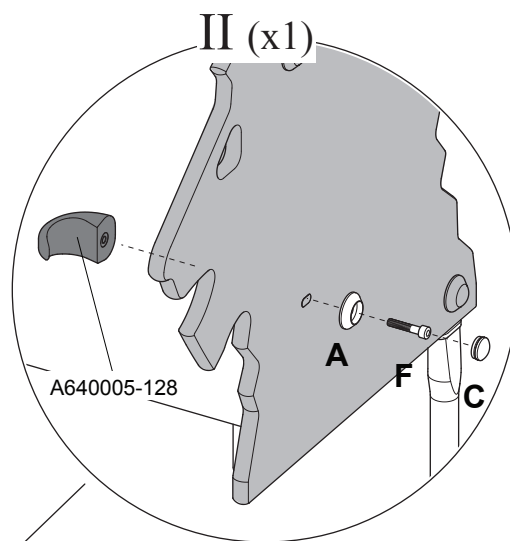
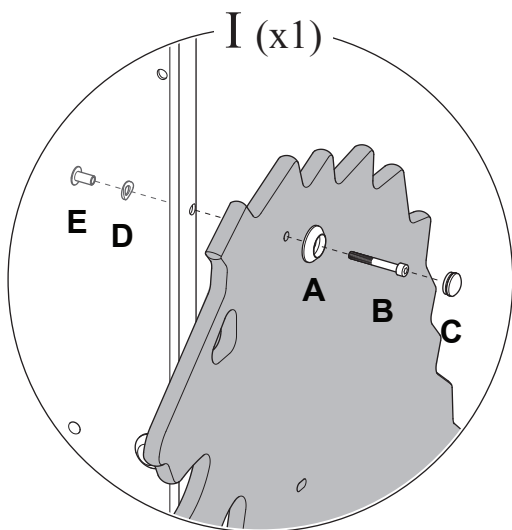


A540019-52

F



250101508040





A



A640064-128

B



A640063-52

C



A10015-140

D



A640007-128

E

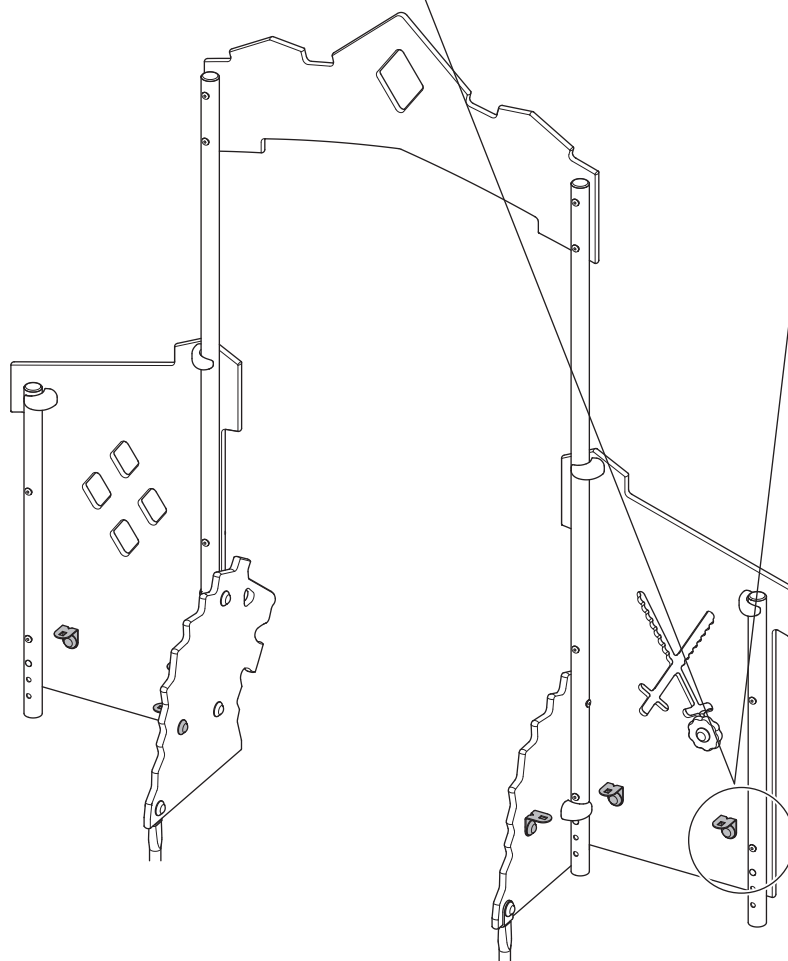
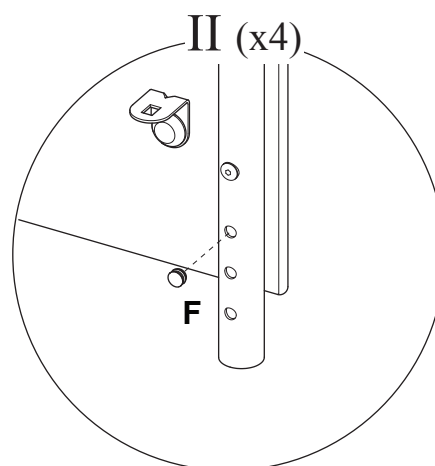
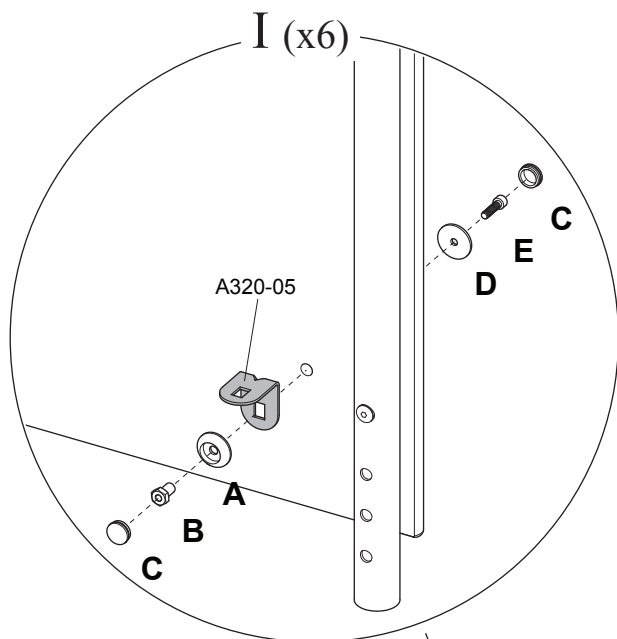


250101508030

F



A640010-06





A



110038-A2

B



A10086-06

C

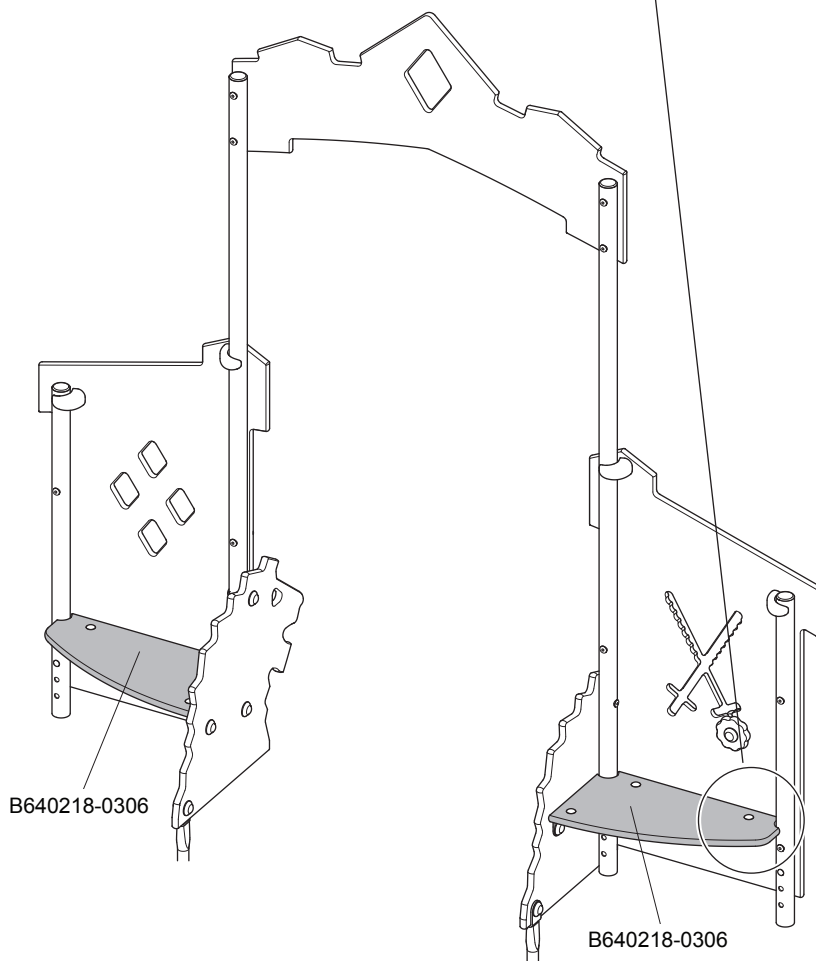
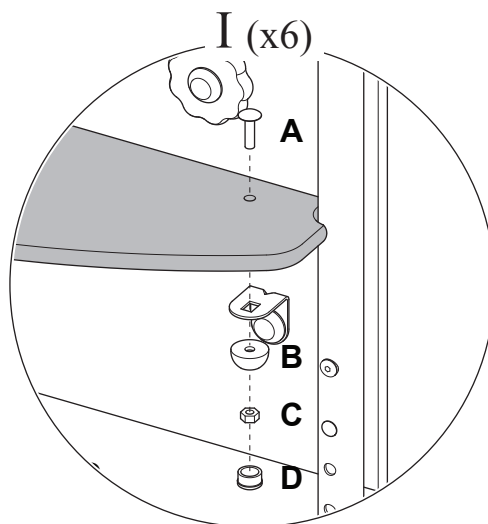


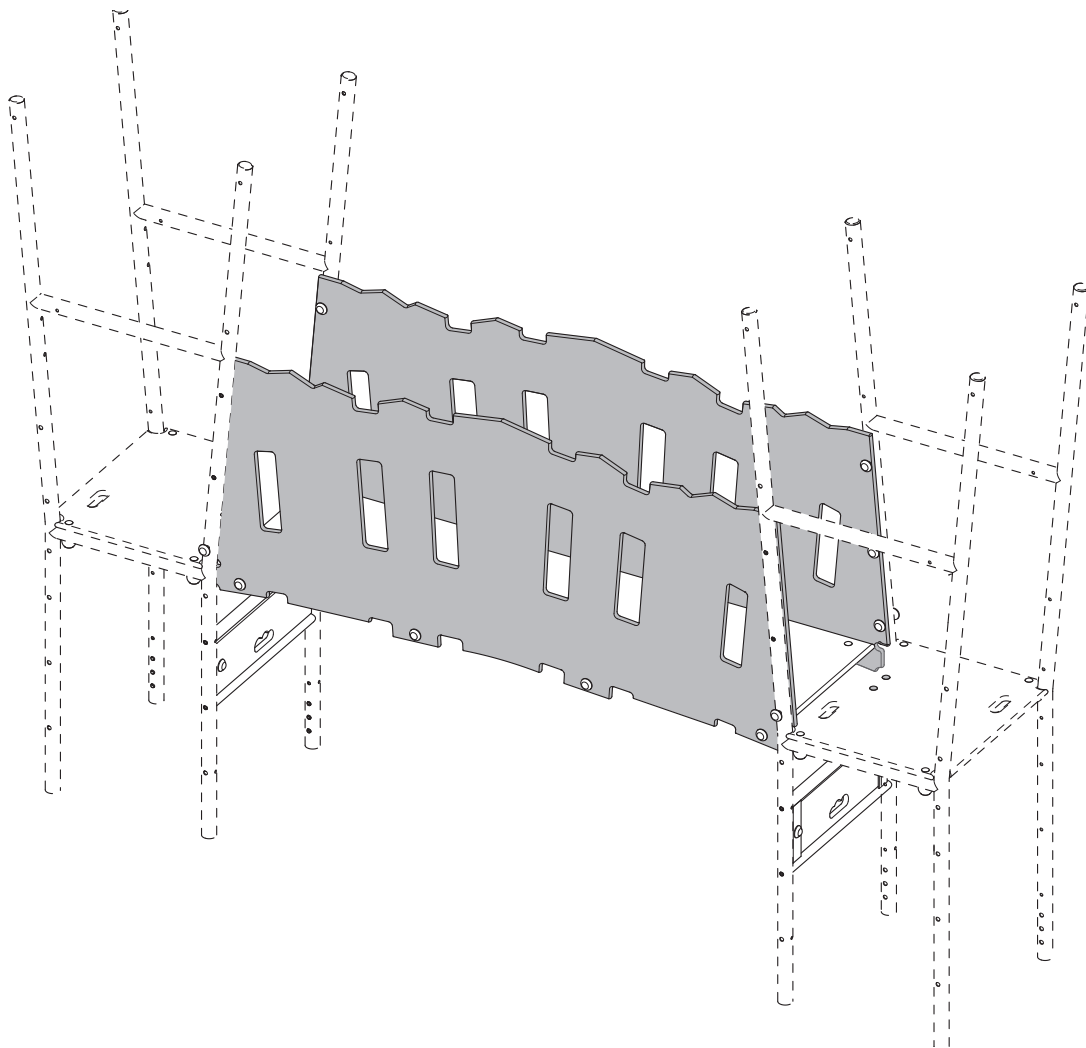
400010-A2

D


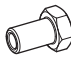


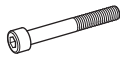





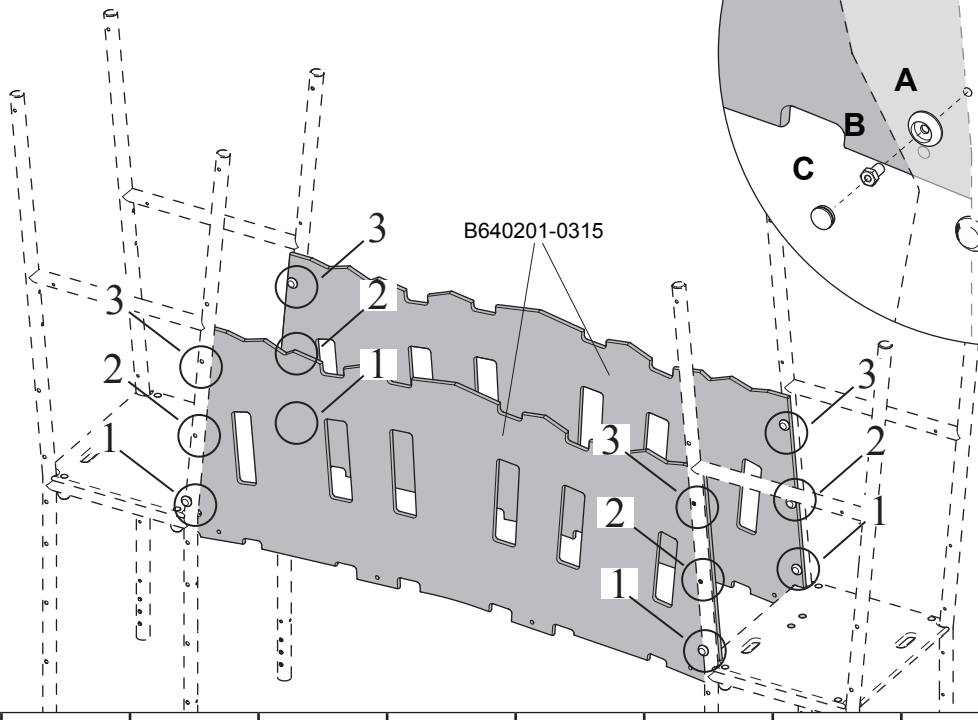
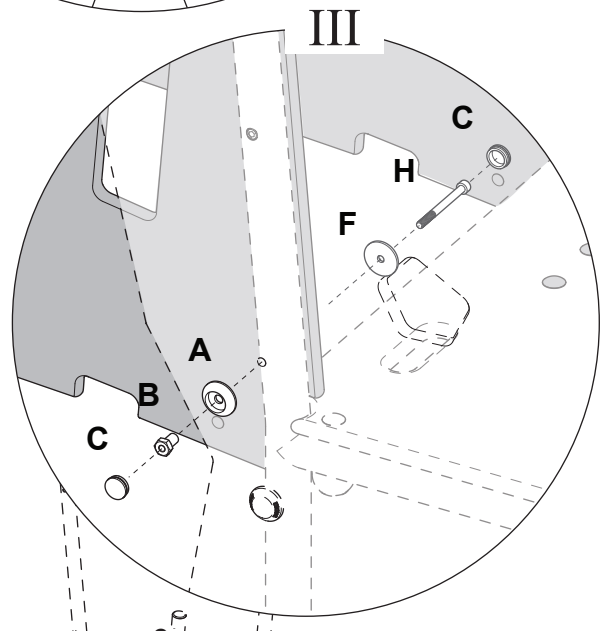
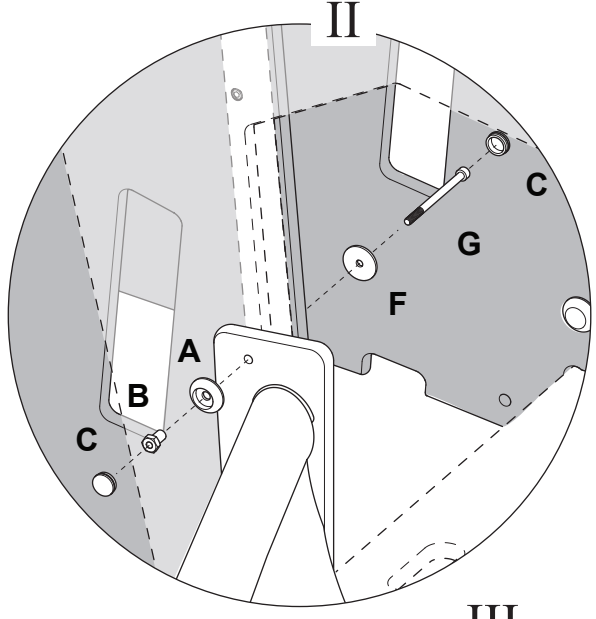
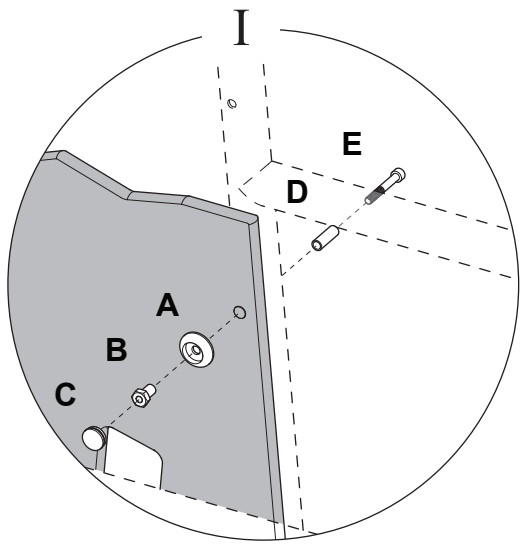
A10085-06

















- A**

 A640064-128
- B**

 A640063-52
- C**

 A10015-140
- D**

 A640037-52
- E**

 250101508060
- F**

 A640007-128
- G**

 250101508110
- H**

 250101508090



										
1	II	III	II	III	III	III	III	III	II	III
2	II	I	II	I	I	I	I	I	II	I
3	I	I	I	I	I	I	I	I	I	I

VSC6530000P 20100729 AHE-Layout



A



A640064-128

B



A640063-52

C



A10015-140

D

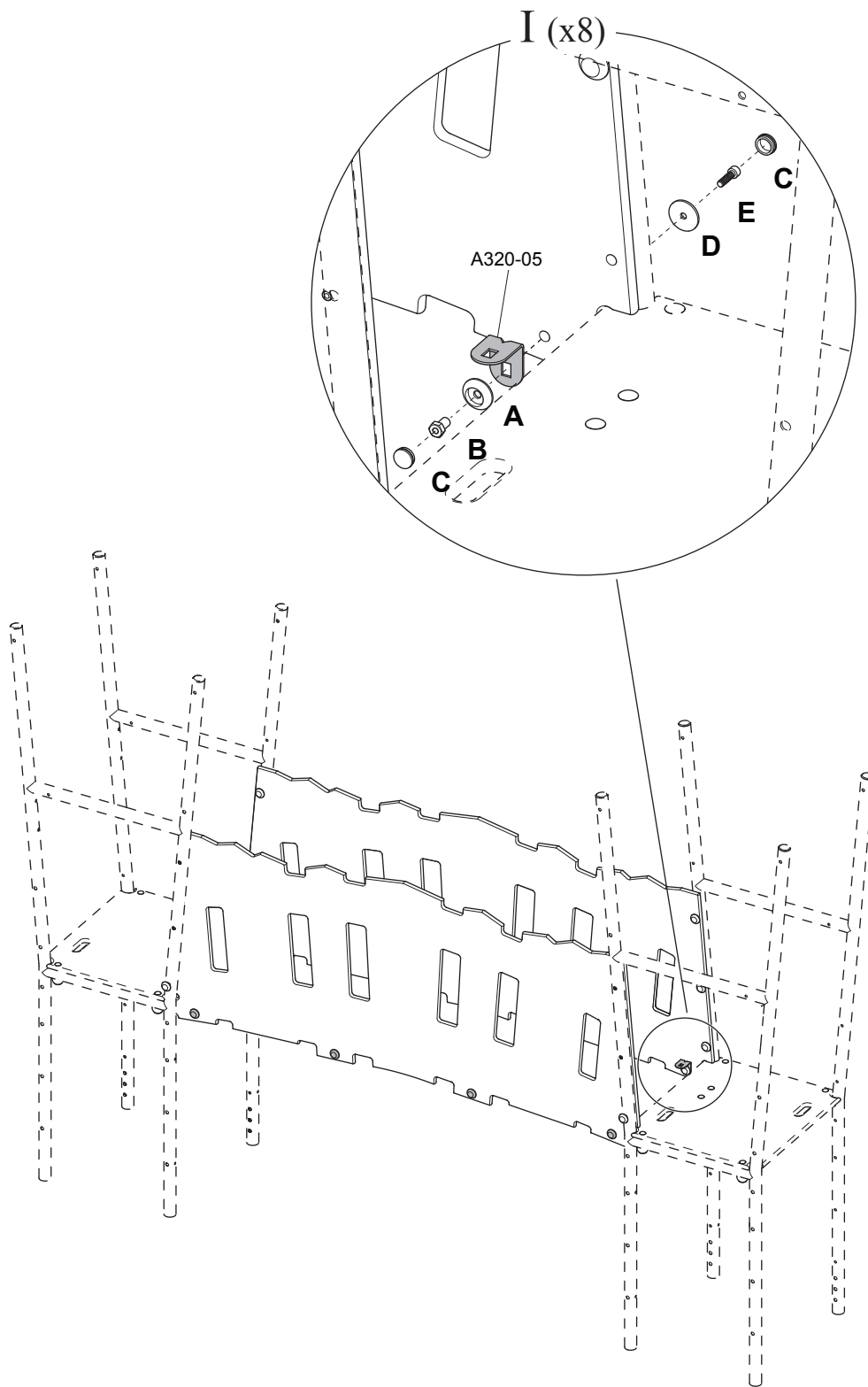


A640007-128

E



250101508030





A



110038-A2

B



A10086-06

C



400010-A2

D

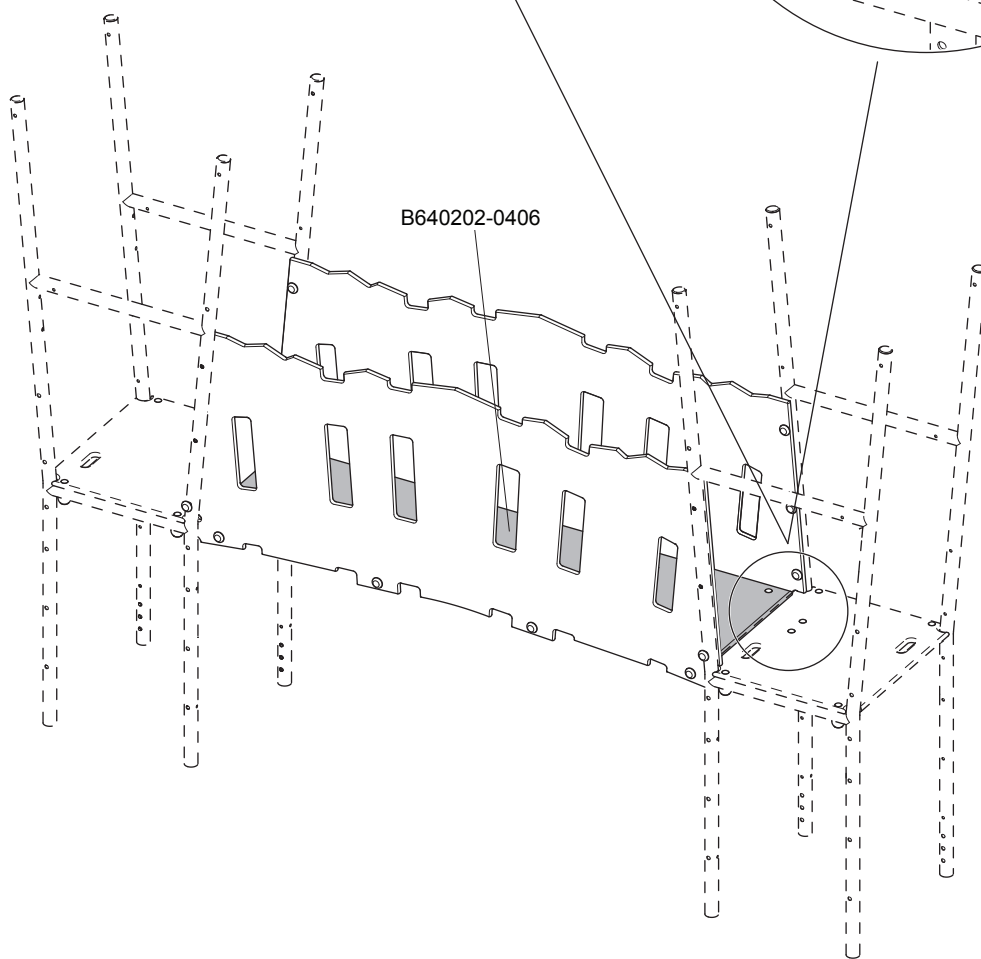
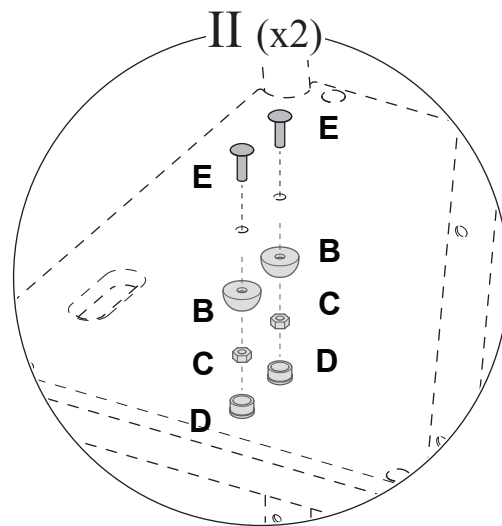
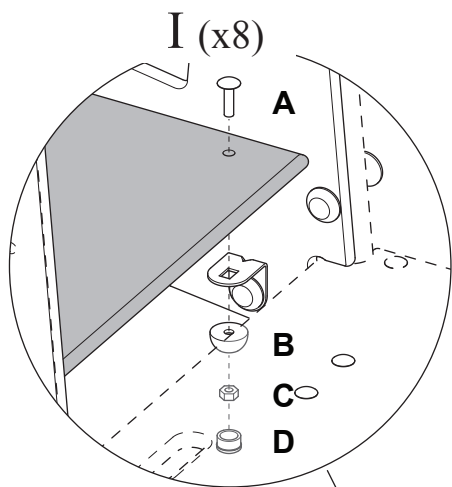


A10085-06

E



110035-A2



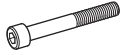


A



A640037-52

B



250101508060

C



A640007-128

D



250101508030

E



A10015-140

F



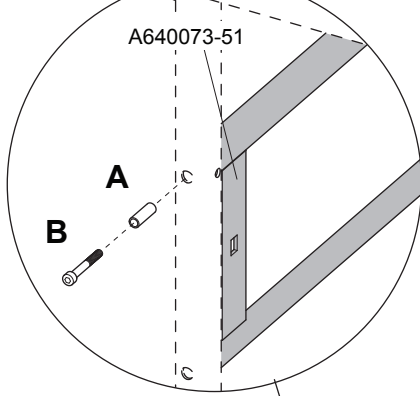
A640064-128

G



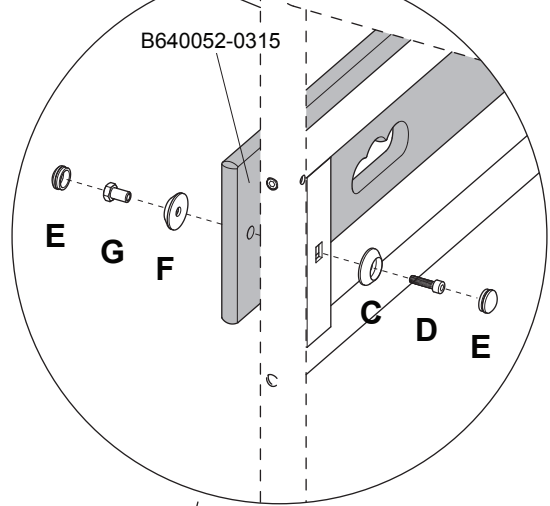
A640063-52

I (x4)

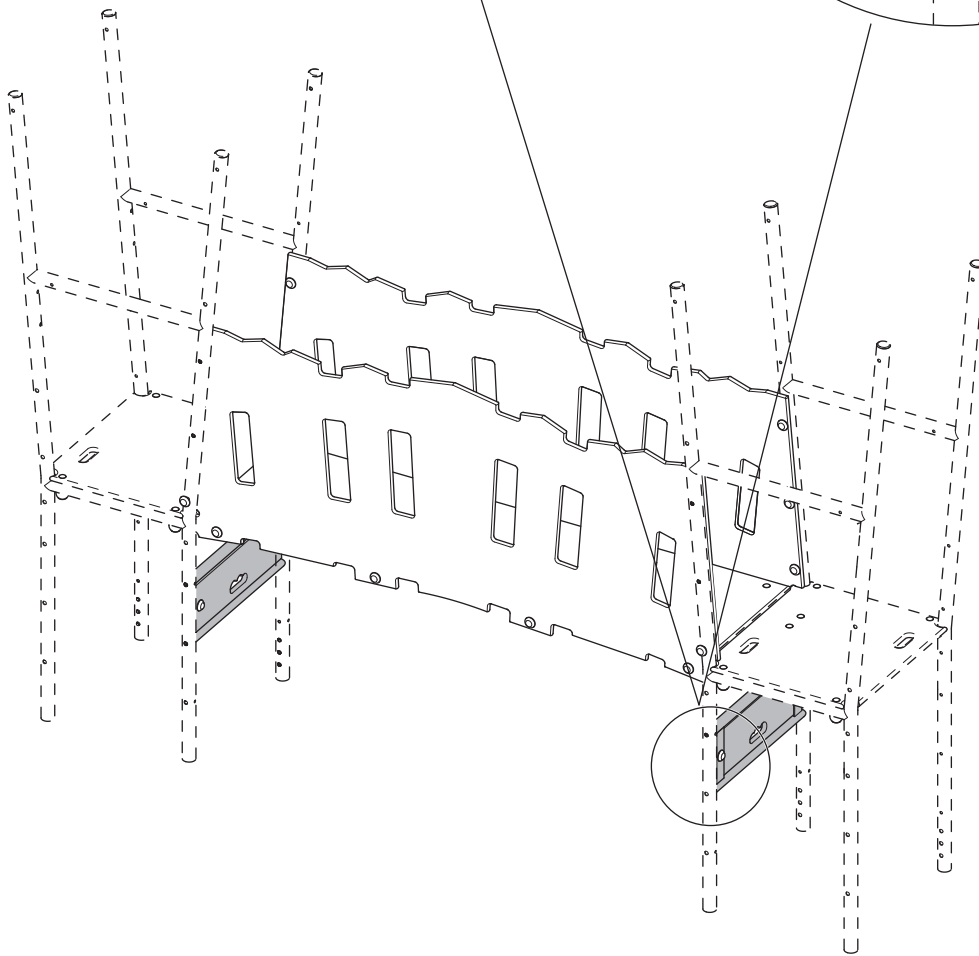


A640073-51

II (x4)



B640052-0315



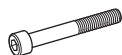


A



A640037-52

B



250101508060

C



A640007-128

D

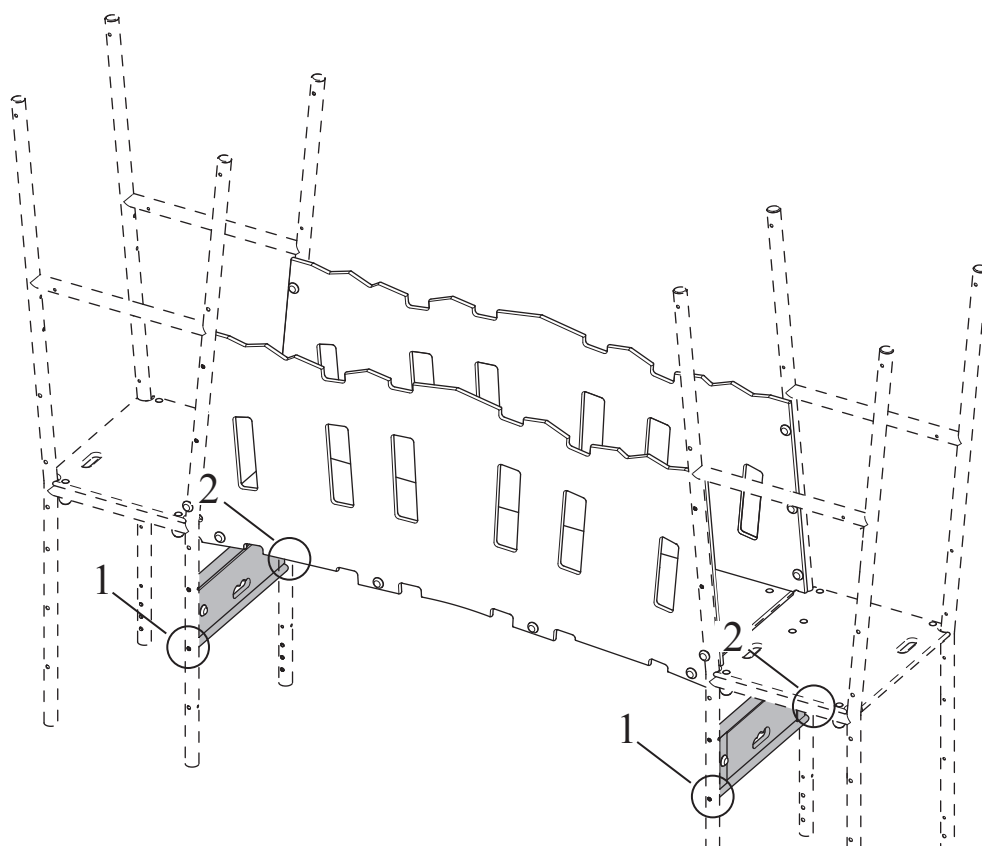
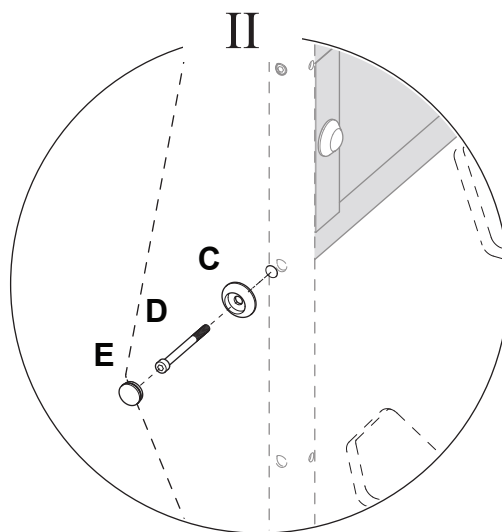
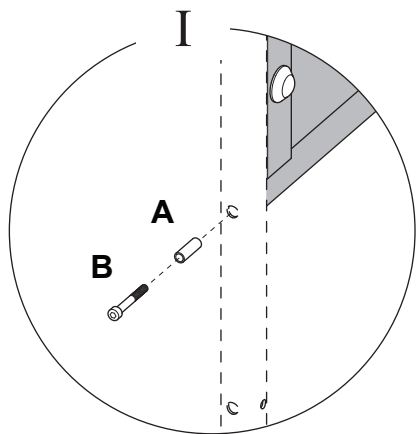


250101508090

E

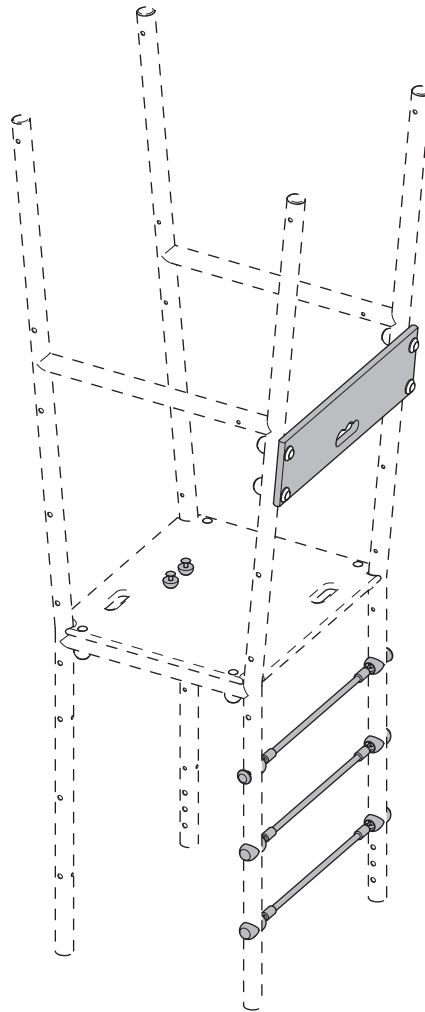


A10015-140










	SC644400	SC644500	SC644600	SC644700	SC644800	SC644900	SC645300	SC645400	SC645500	SC645600
1	I	II	I	II	I	I	II	I	I	III
2	I	II	I	II	I	I	II	I	I	I

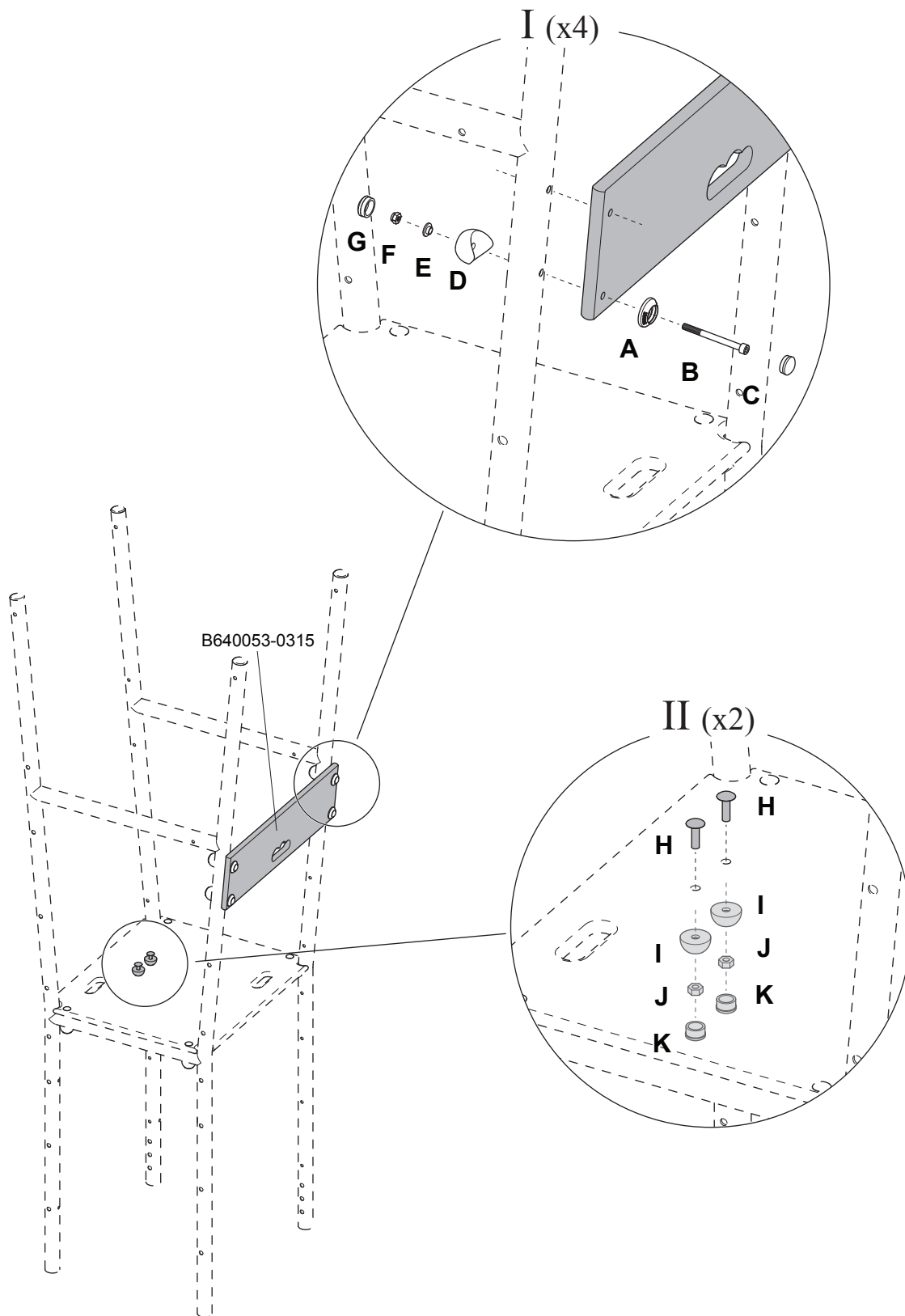
VSC6530000P 20100729 AHE-Layout





- A**  A640007-128
- B**  250101508090
- C**  A10015-140
- D**  A864002-06
- E**  A400278-52
- F**  400108
- G**  A10016-06

- H**  110035-A2
- I**  A10086-06
- J**  400010-A2
- K**  A10085-06





A



A640064-128

B



A640063-52

C



A10015-140

D



A864002-06

E



A400278-52

F

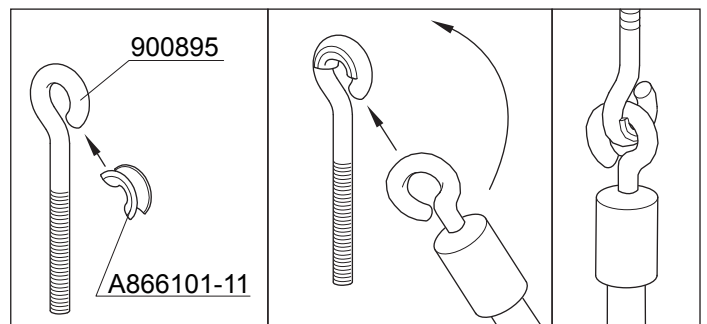
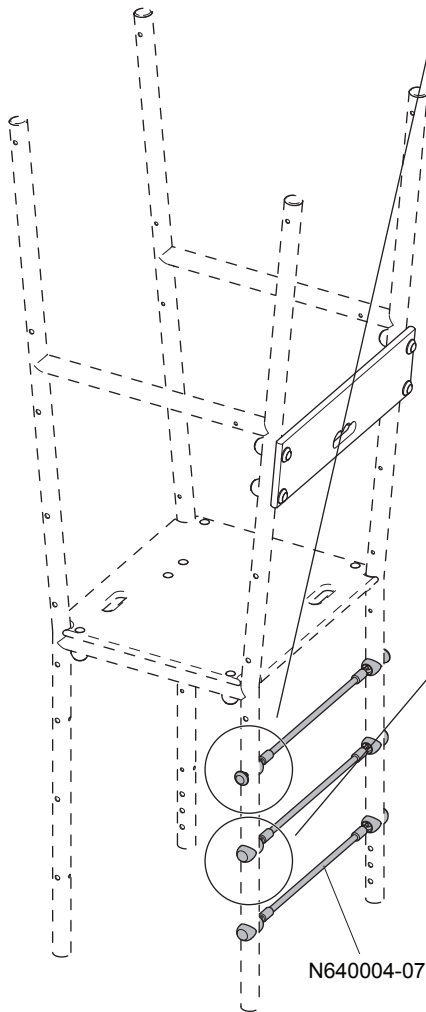
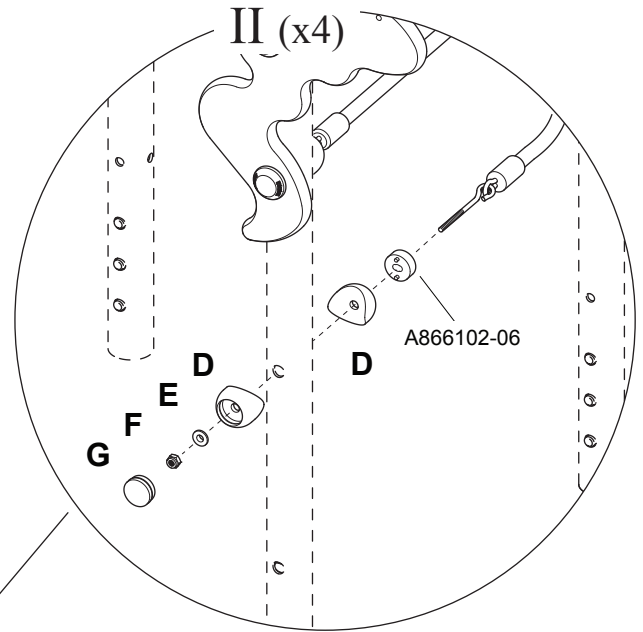
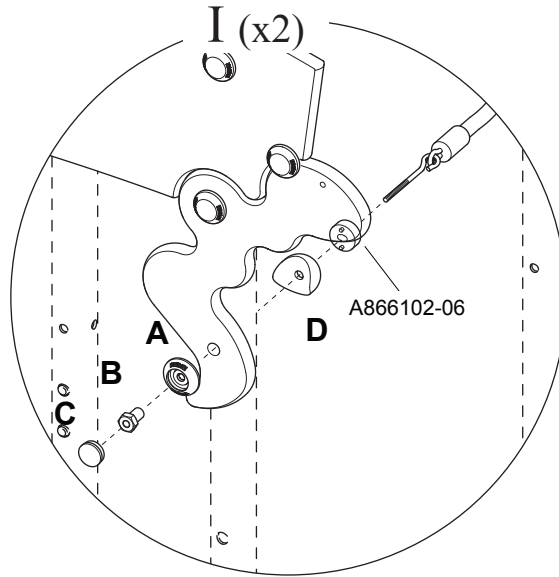


400108

G



A10016-06

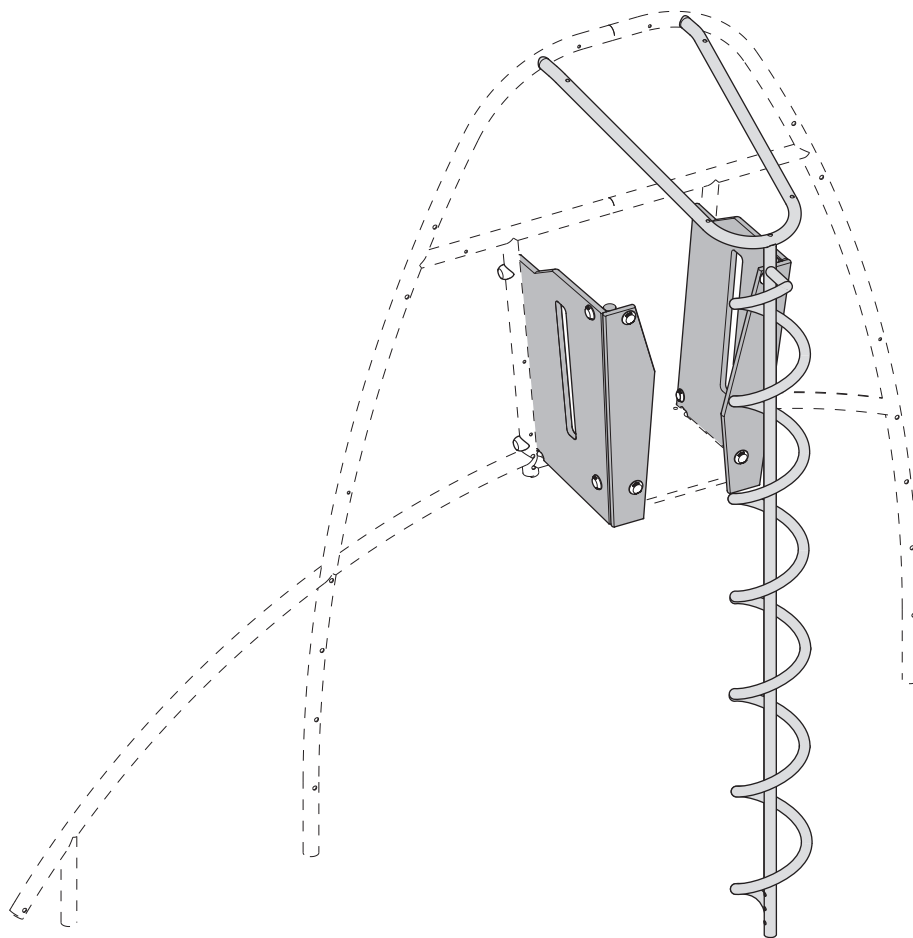


VSC65110200P 20100518 AHE-Layout

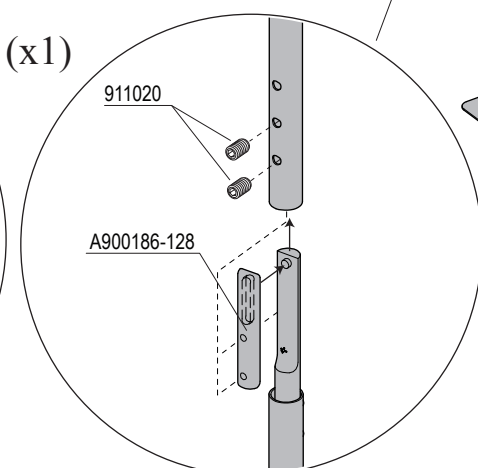
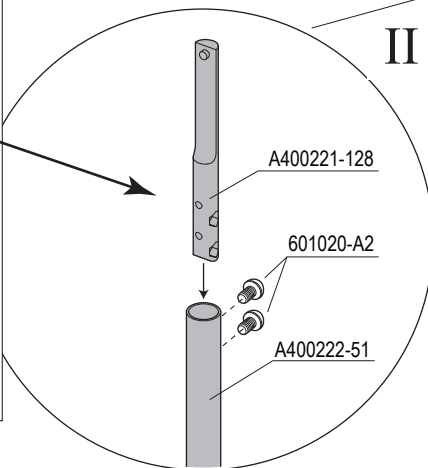
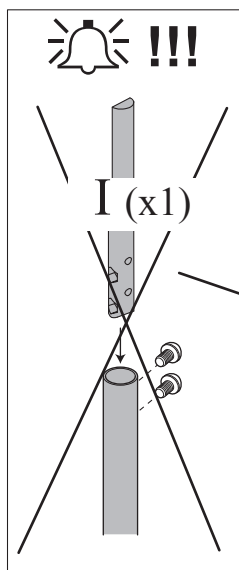
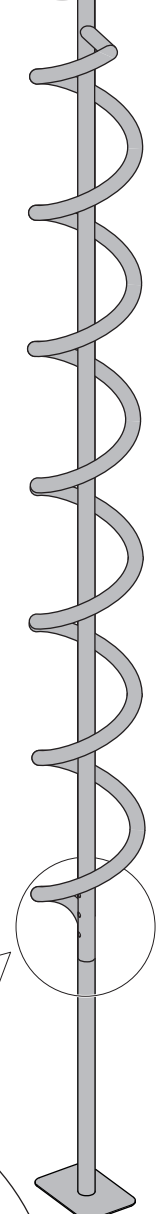
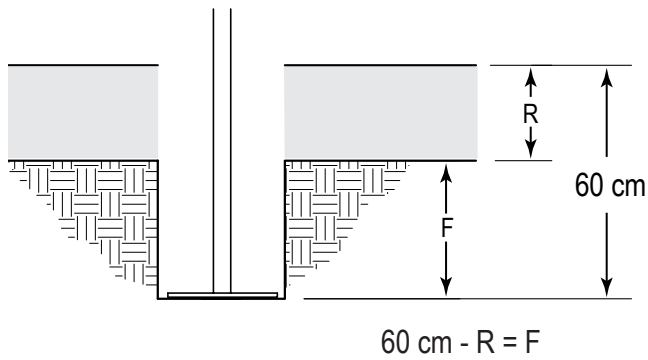
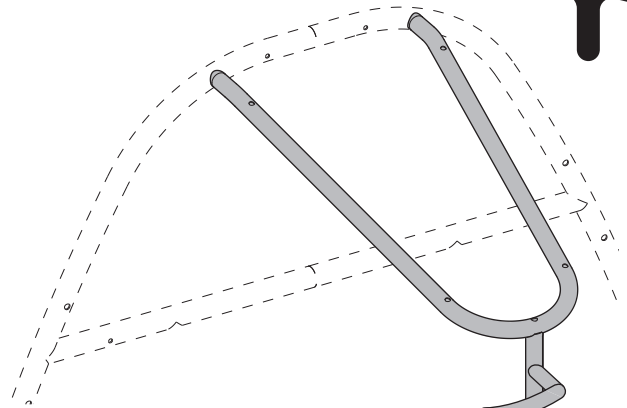
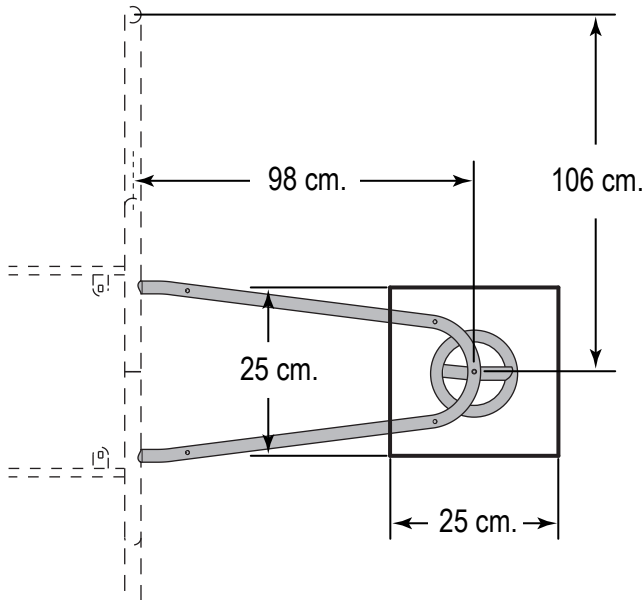
KOMPAN®

SC648103-3418P

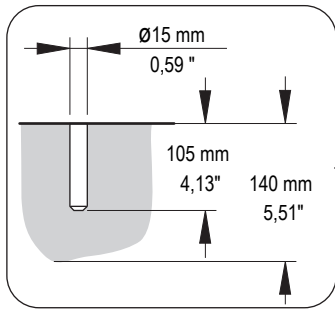
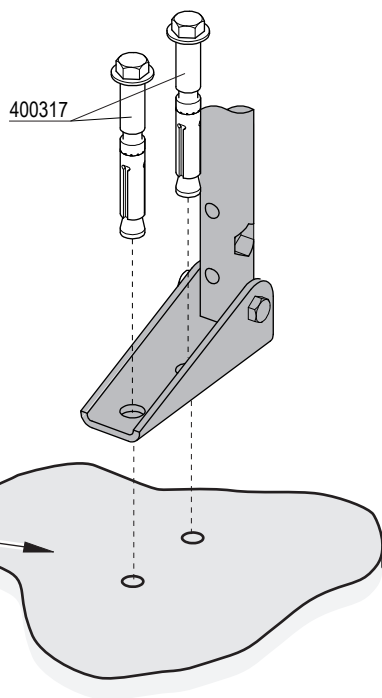
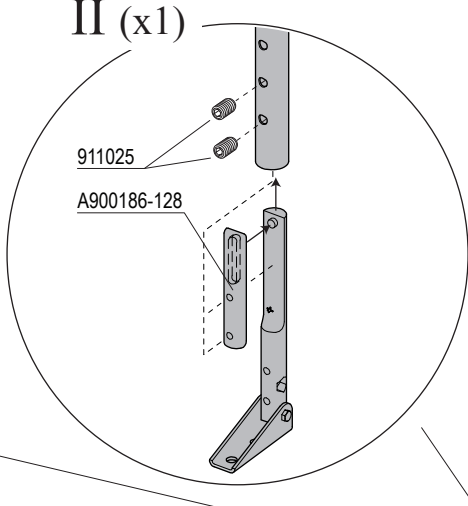
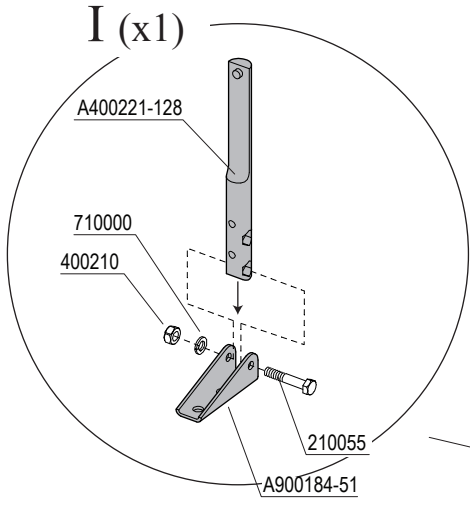
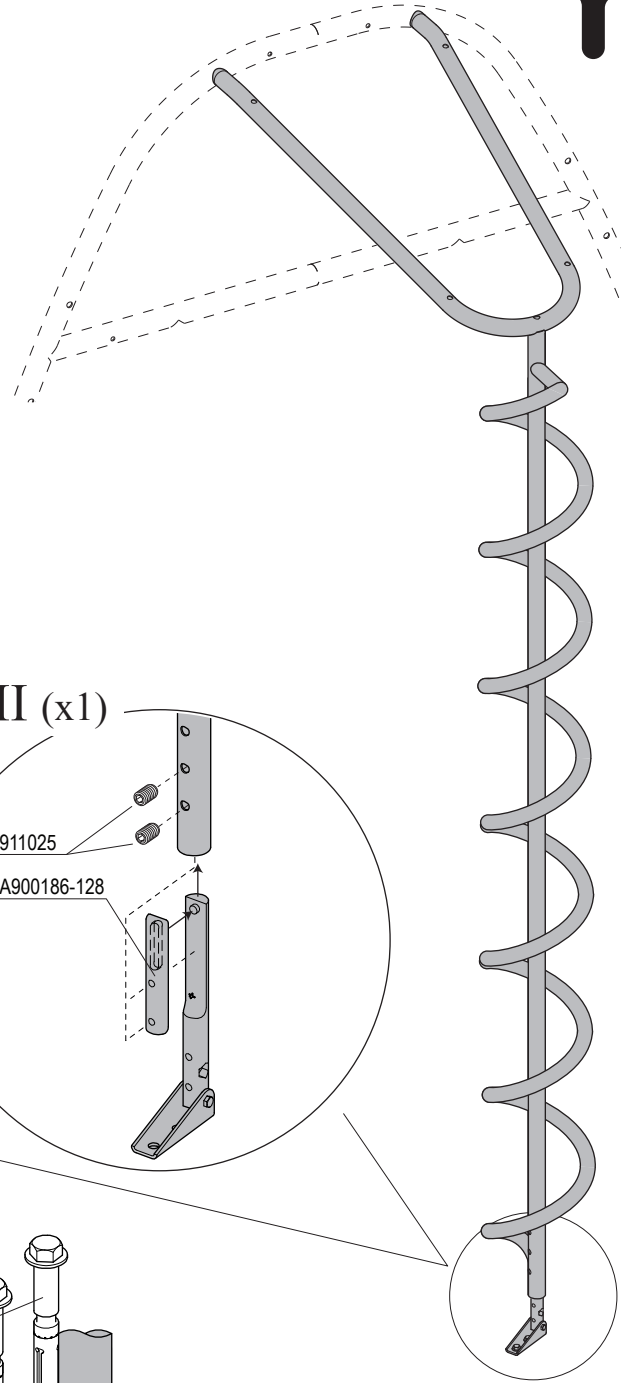
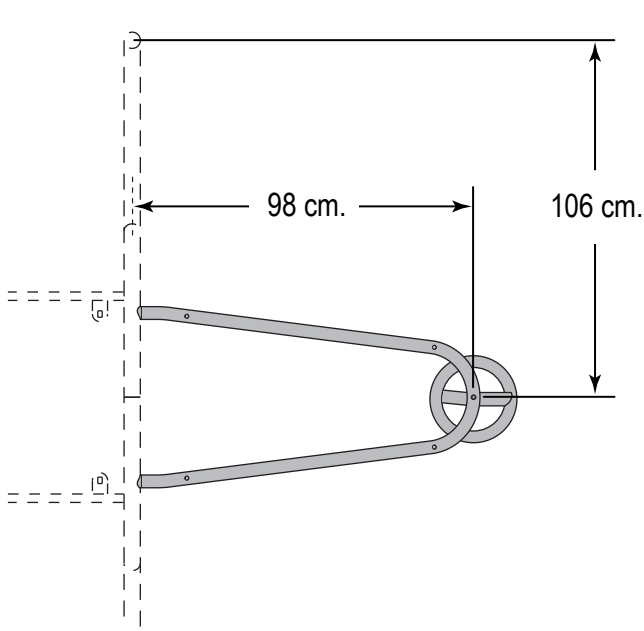
SC648103-5018P



VSC648103XX18P-01 20130313 AHE-Layout / PetrJu



SC648103-5018P



VSC648103XX18P-01 20130313 AHE-Layout / Petr.Ju



A



110038-A2

B



A400577-06

C



A10086-06

D

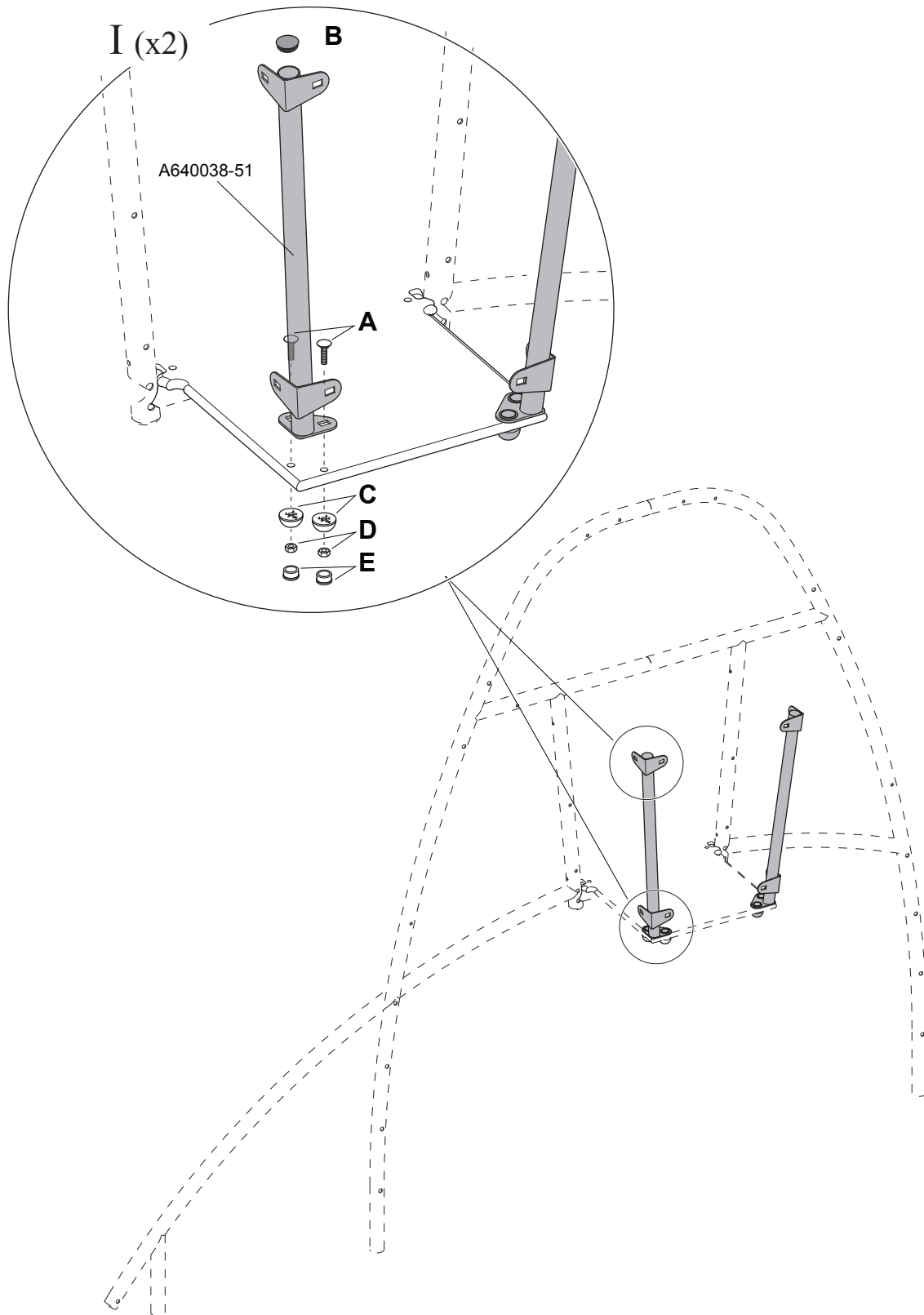


400010-A2

E



A10085-06





A



A640007-128

B



250101508030

C



A10015-140

D

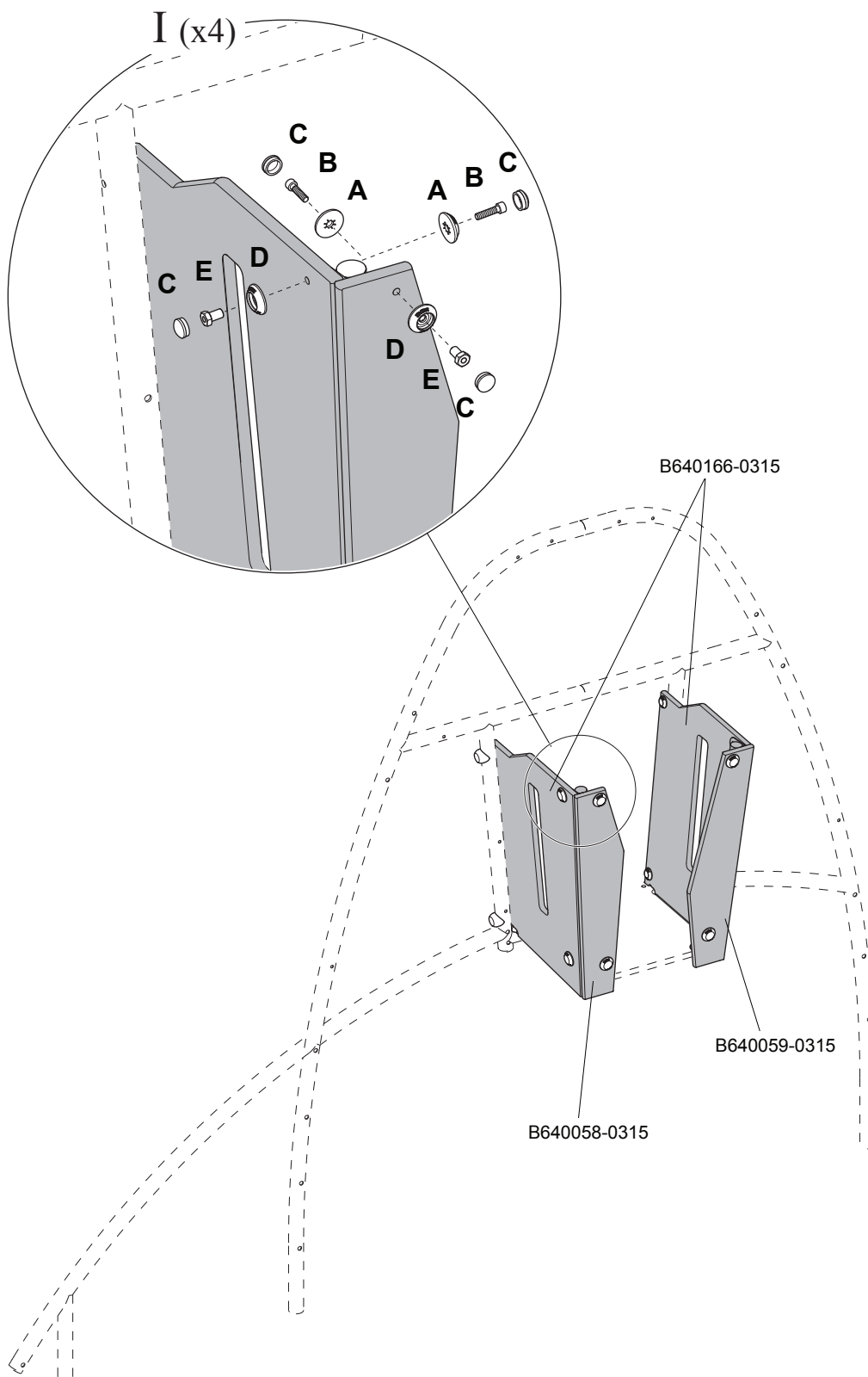


A640064-128

E



A640063-52



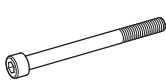


A



A640007-128

B



250101508090

C



A10015-140

D



A8640002-06

E



A400278

F

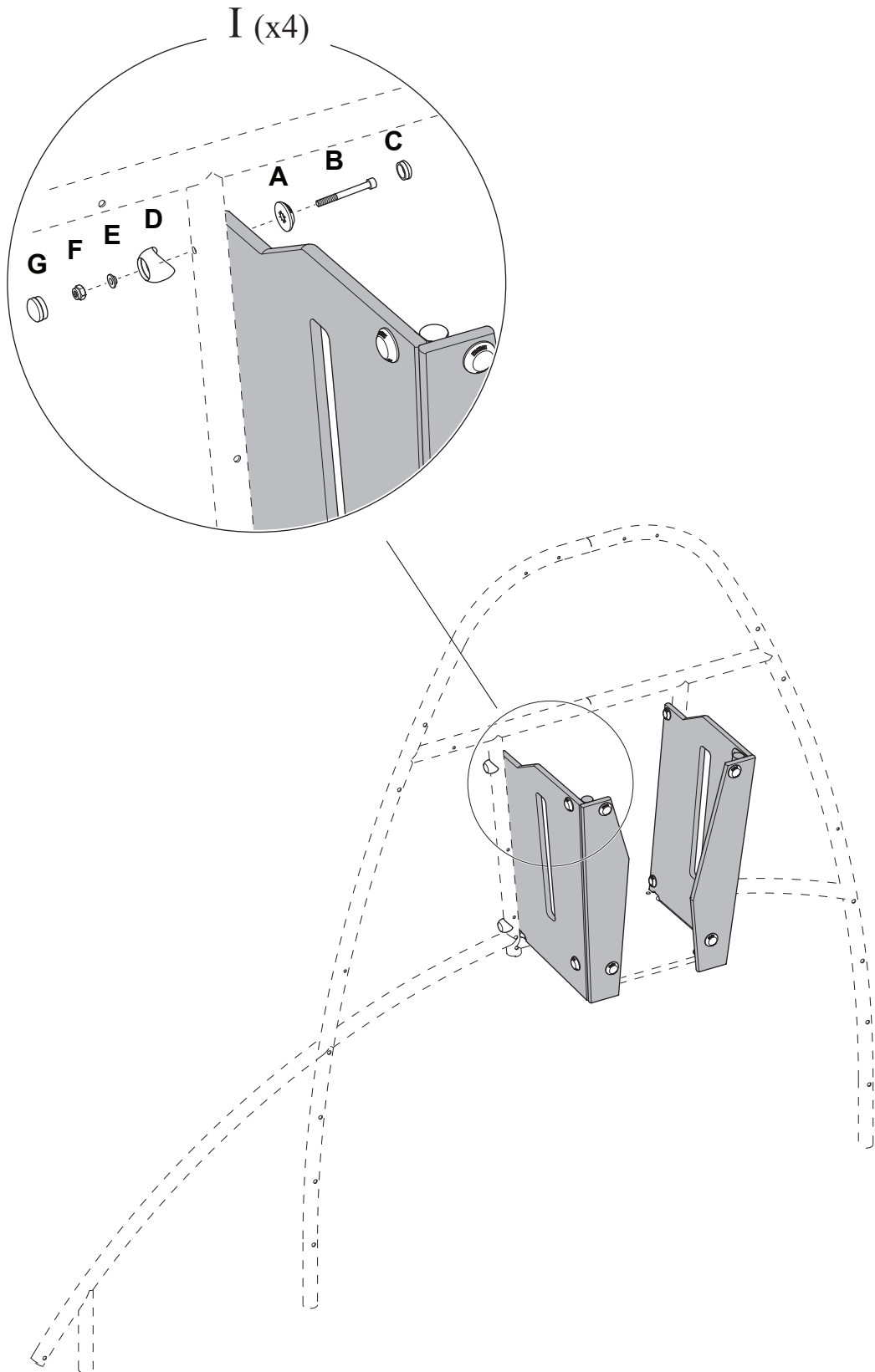


400108

G

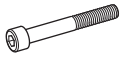


A10016-06





A



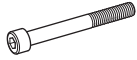
250101508060

B

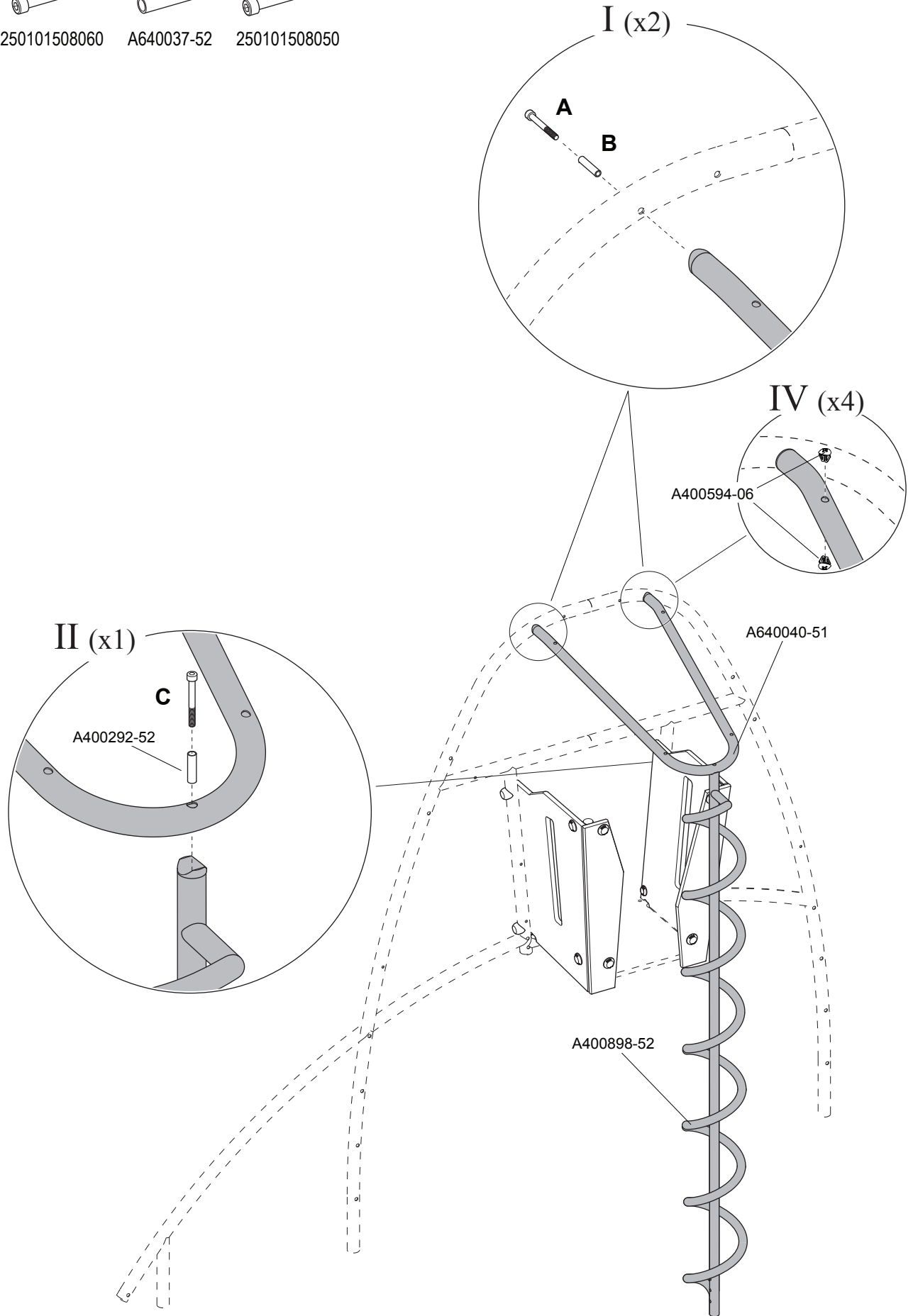


A640037-52

C

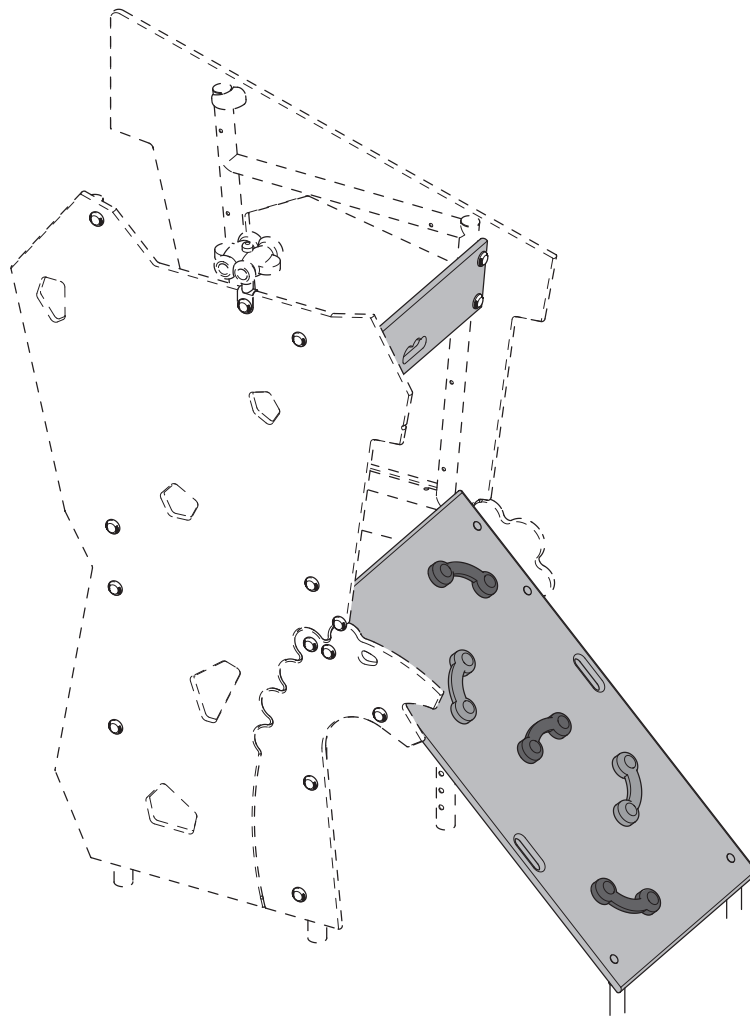


250101508050

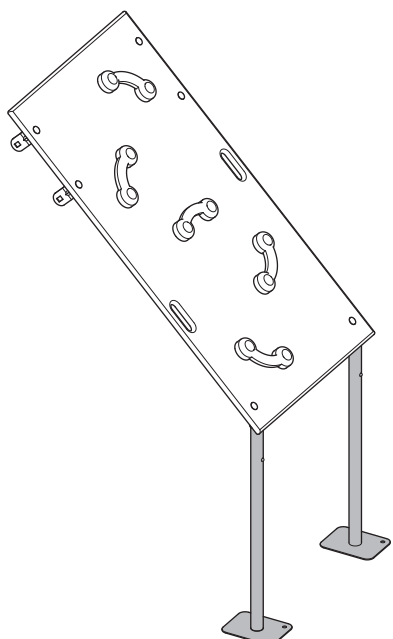


VSC648103XX18P-01 20130313 AHE-Layout / PetrJu

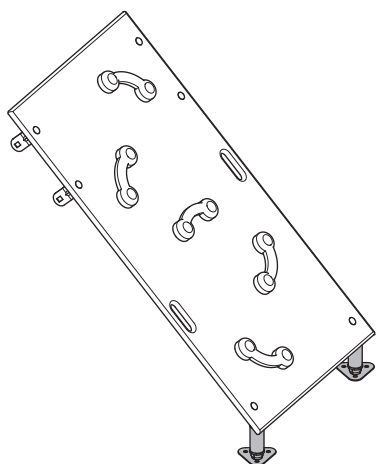
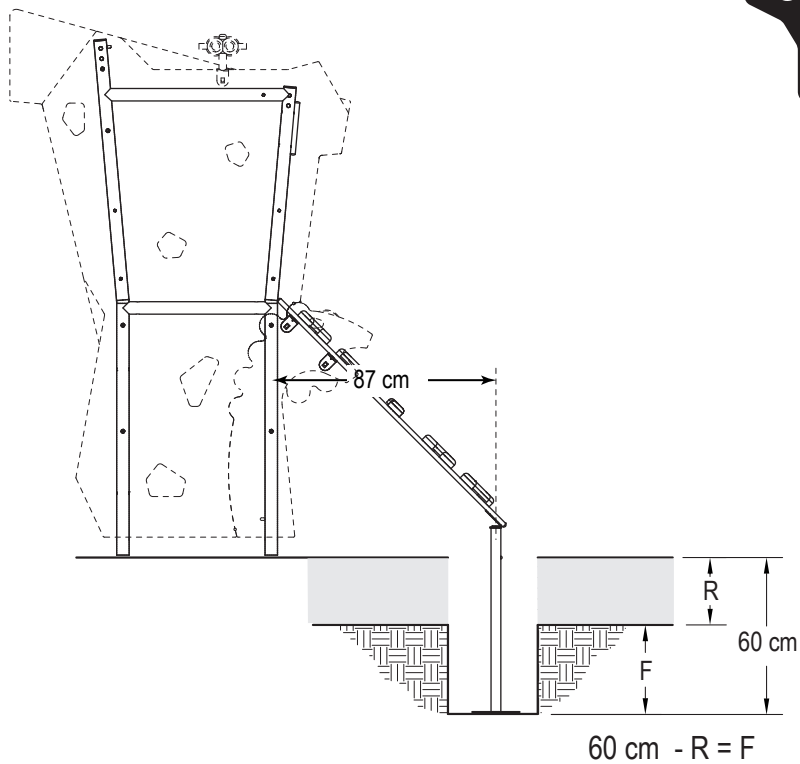
KOMPAN[®]
SC650102-3418P
SC650102-5018P



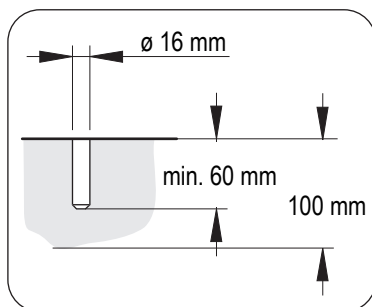
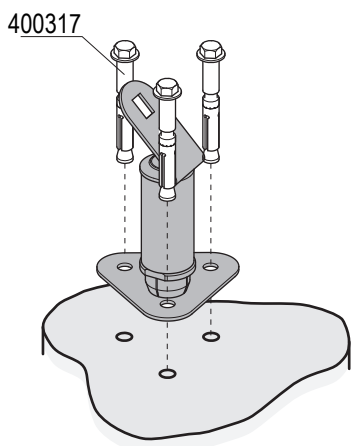
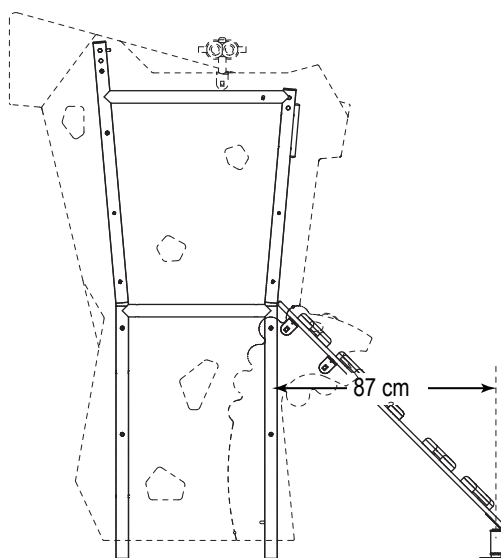
VSC650102XX18P 20071103 AHE-Layout



SC650102-3418P



SC650102-5018P





A



A640007-128

B



250101508090

C



A10015-140

D



A864002-06

E



A400278

F

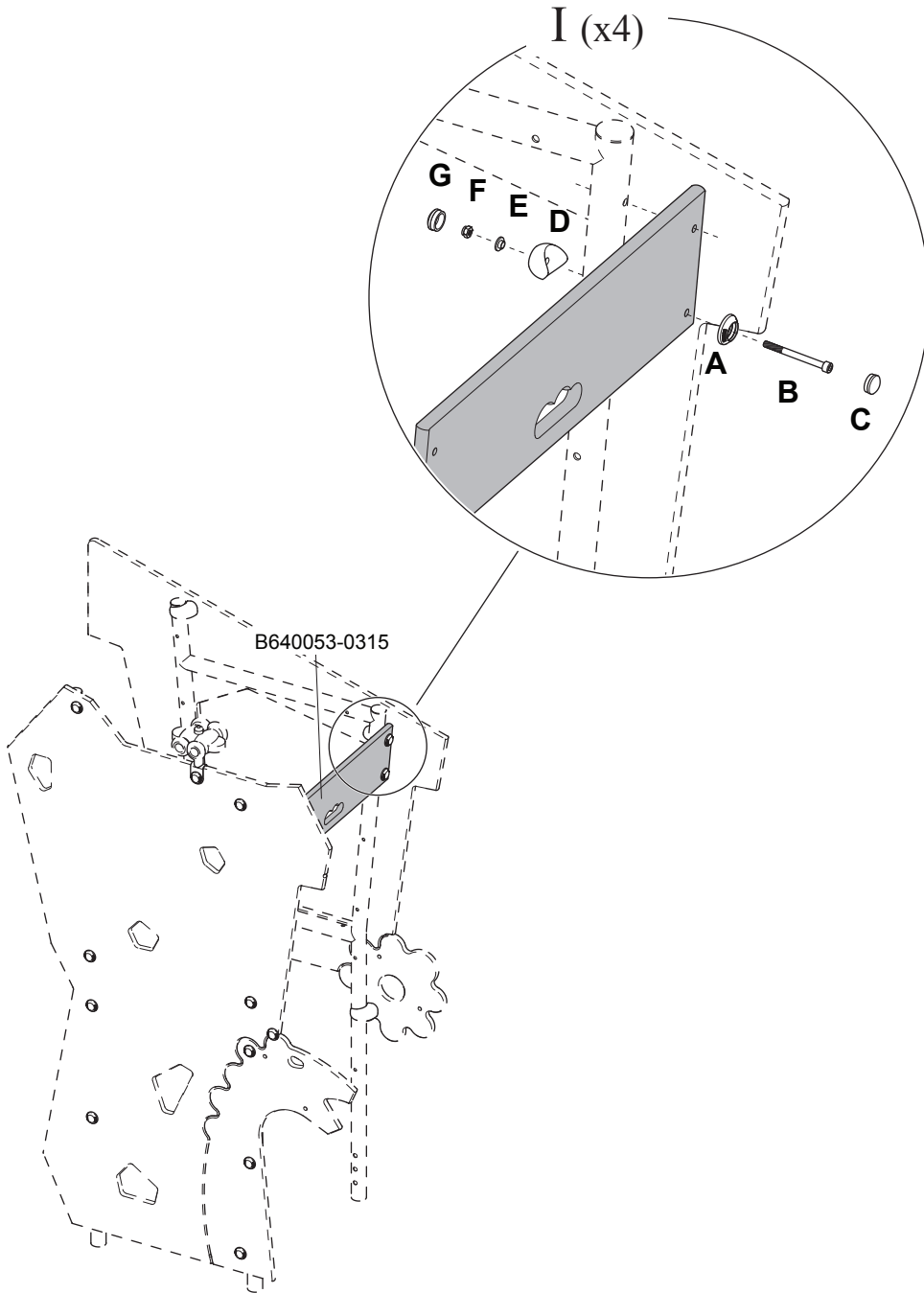


400108

G



A10016-06





A



110038-A2

B



A10086-06

C



400010-A2

D



A10085-06

E



A400278

F



250101508040

G



A10078-12

H



A100-33

I



A640064-128

J

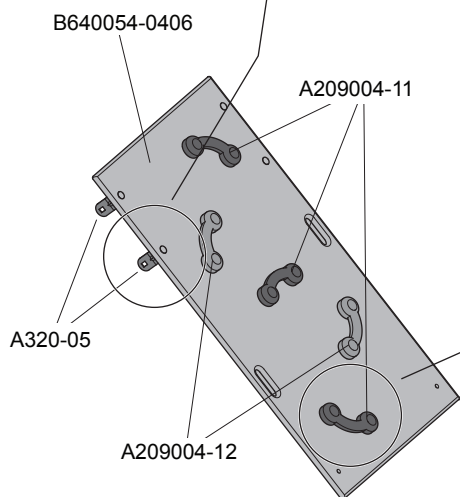
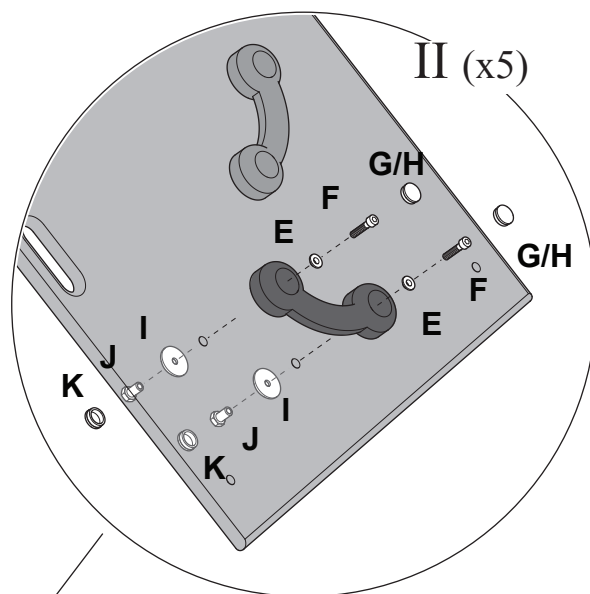
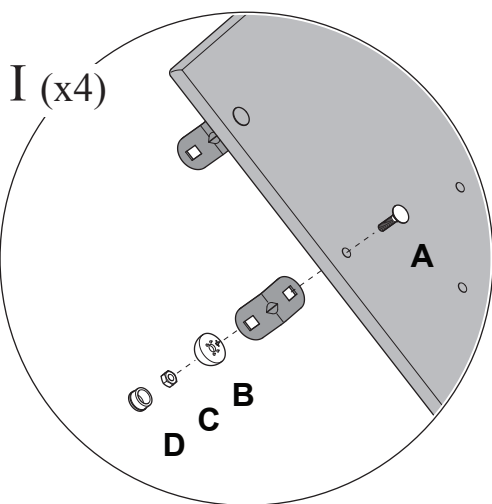


A640063-52

K



A10015-140





A



110038-A2

B



A10086-06

C



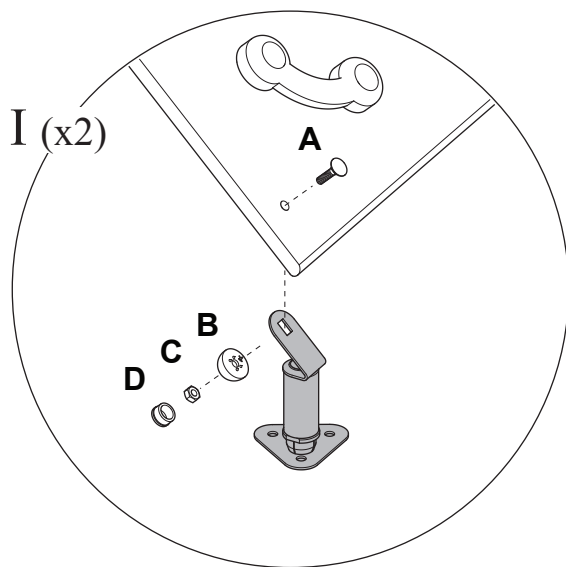
400010-A2

D

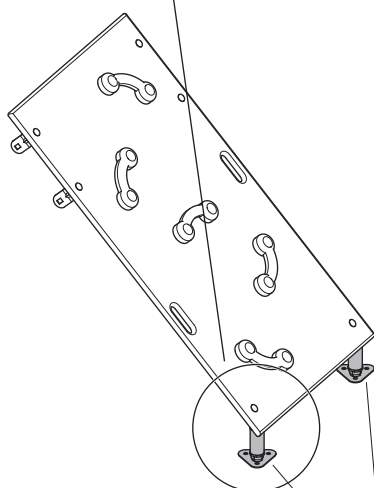
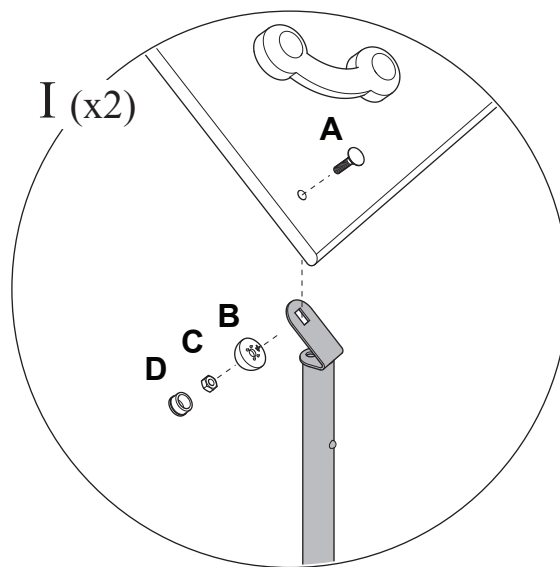


A10085-06

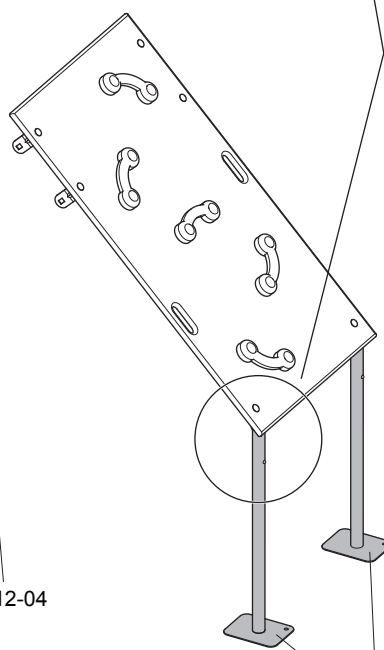
SC650102-5018P



SC650102-3418P



F209812-04



A400275-51

VSC650102XX18P 20071103 AHE-Layout



A



A640007-128

B



250101508030

C



A10015-140

D

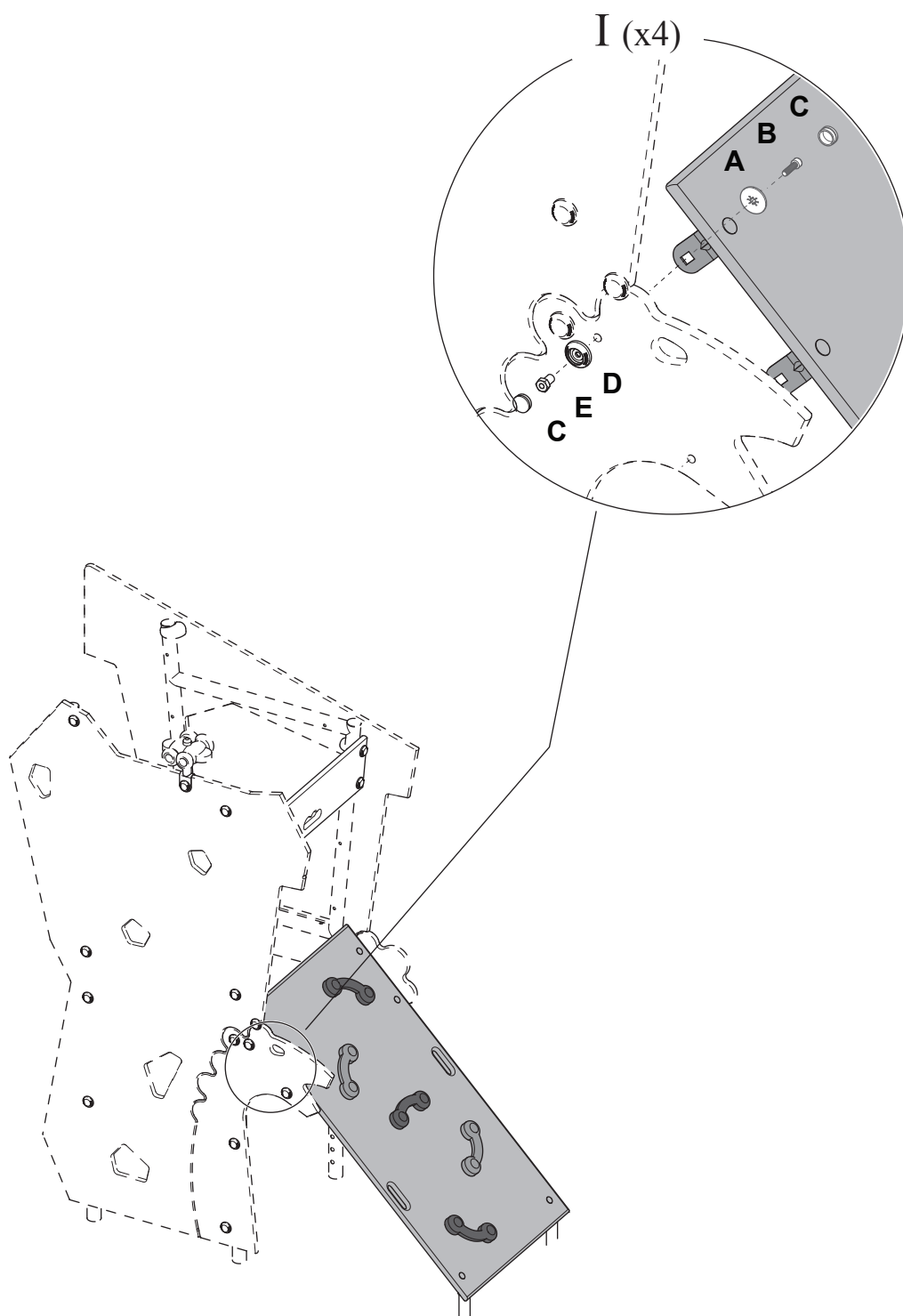


A640064-128

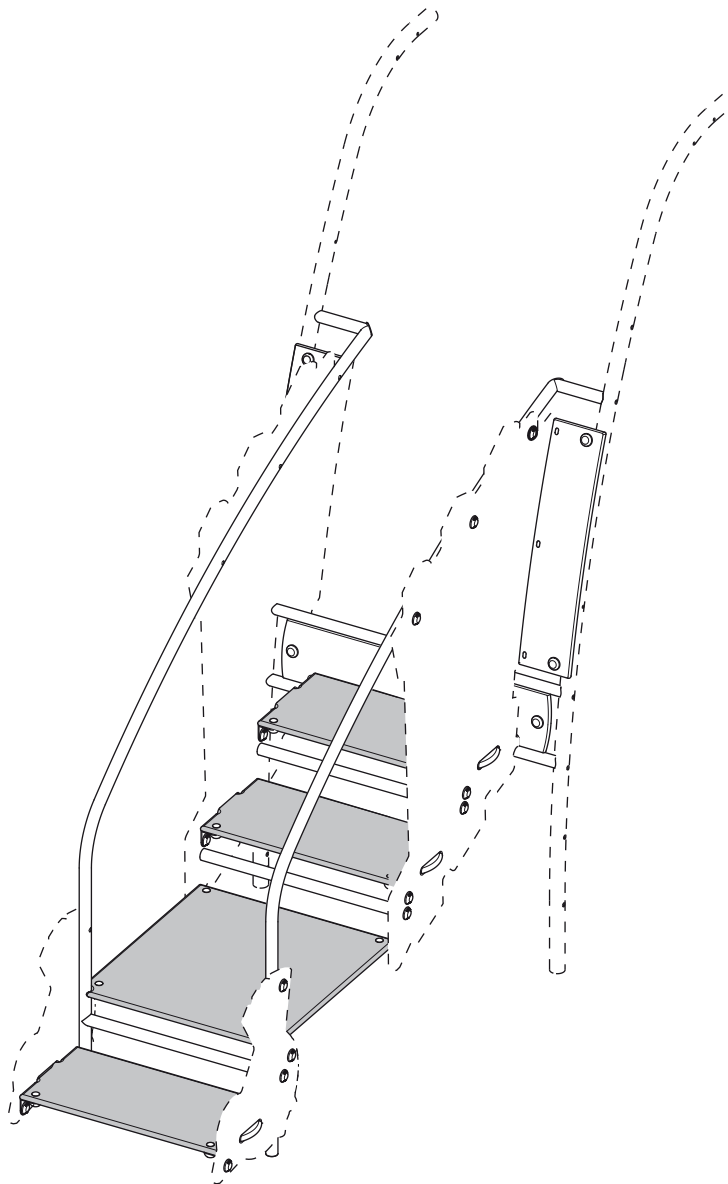
E

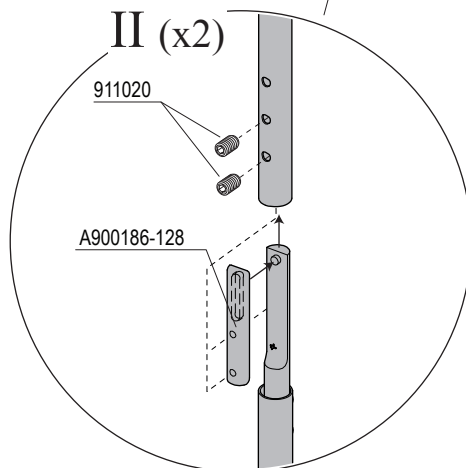
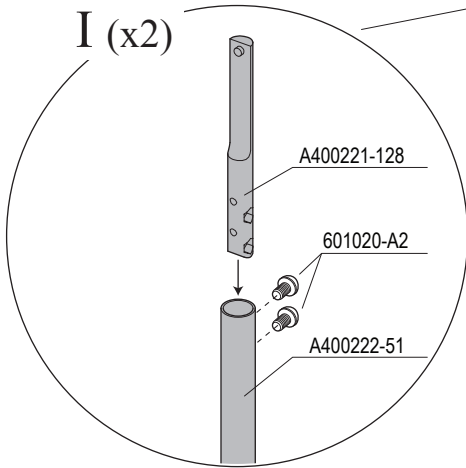
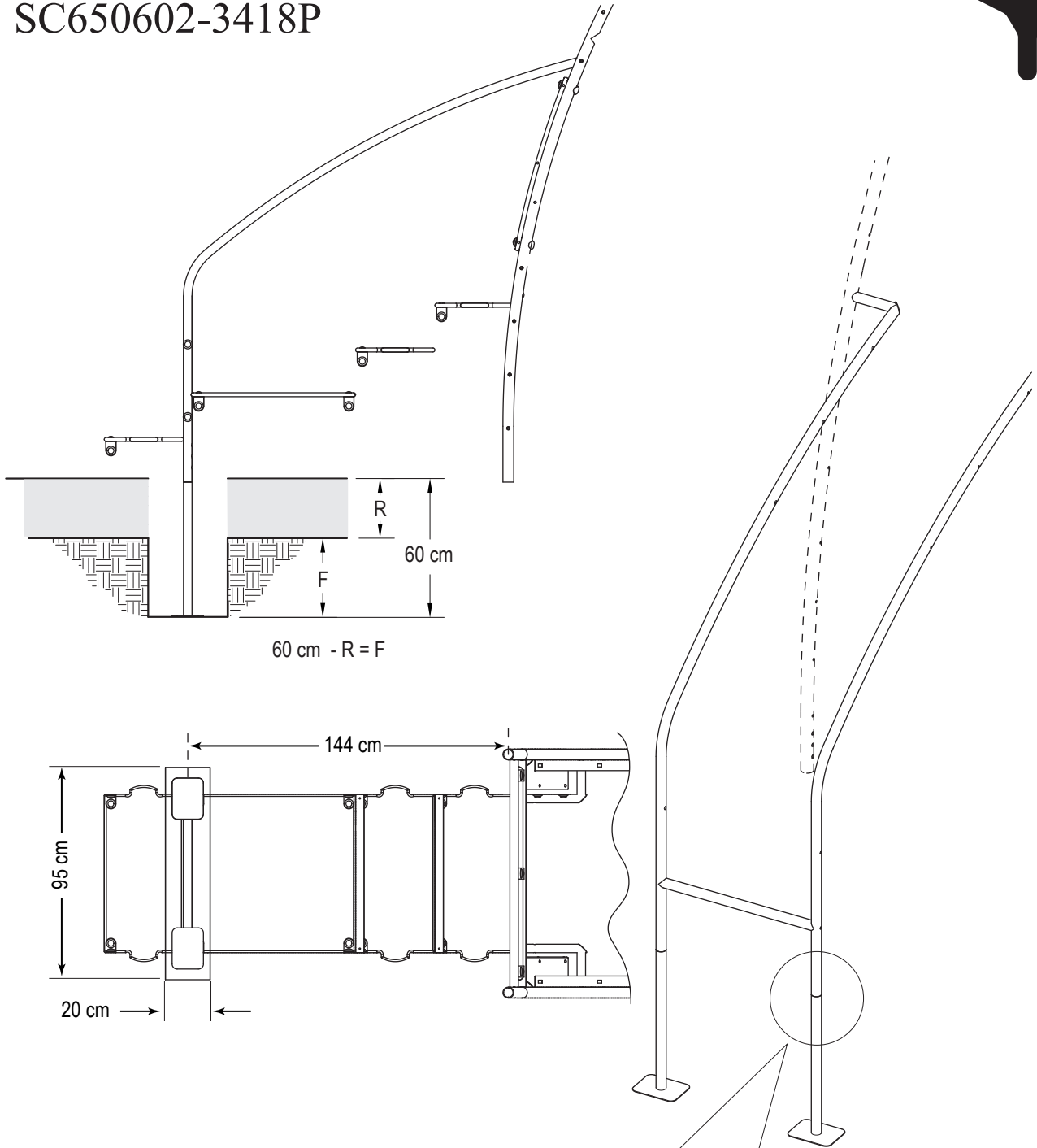


A640063-52

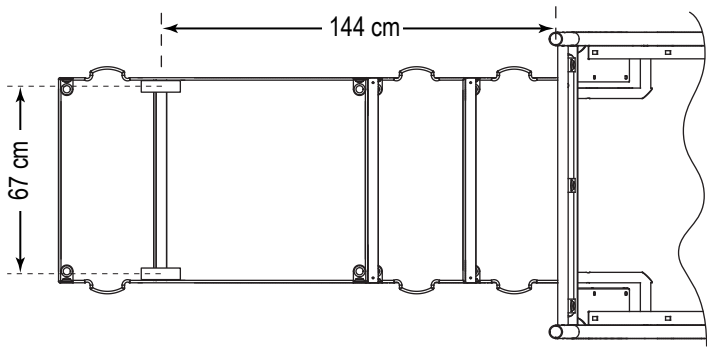


SC650602-3418P
SC650602-5018P

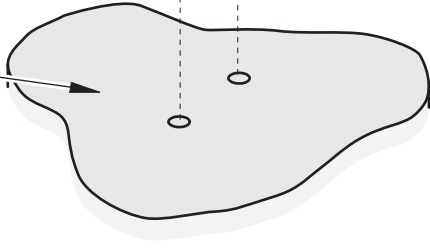
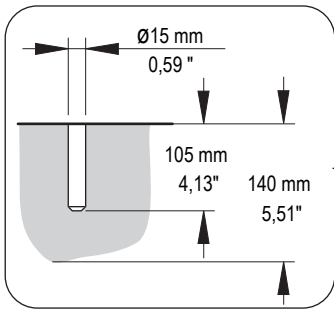
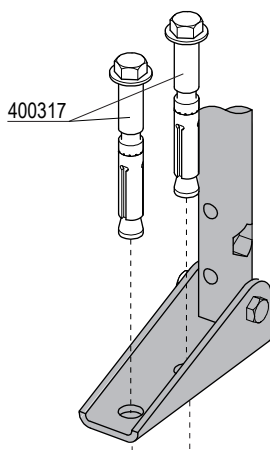
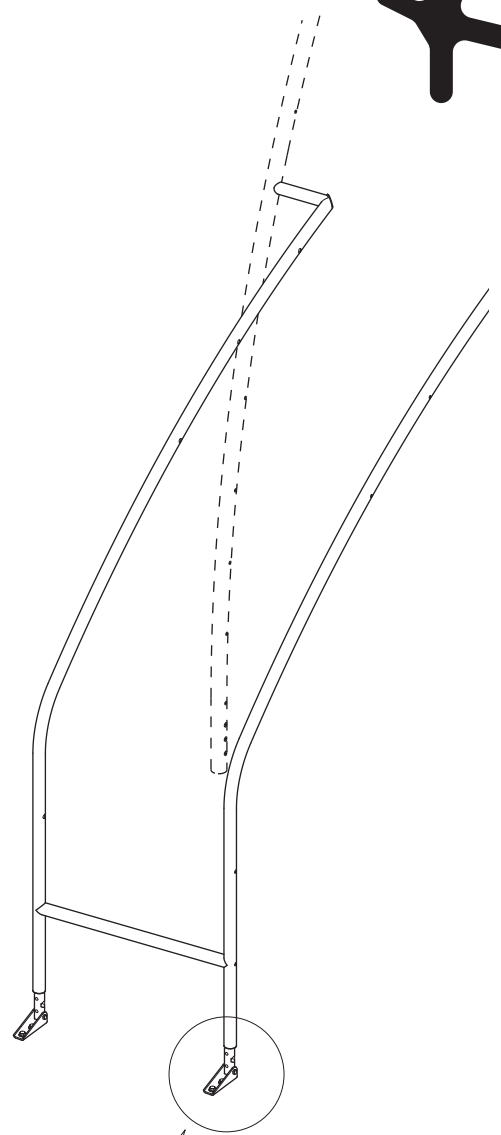




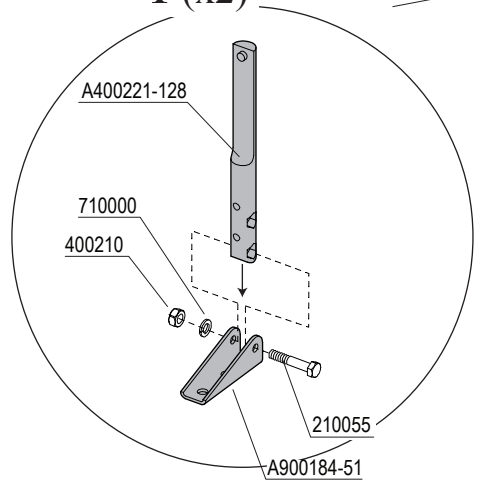
VSC650602XX18P 20100805 AHE-Layout/MarSky



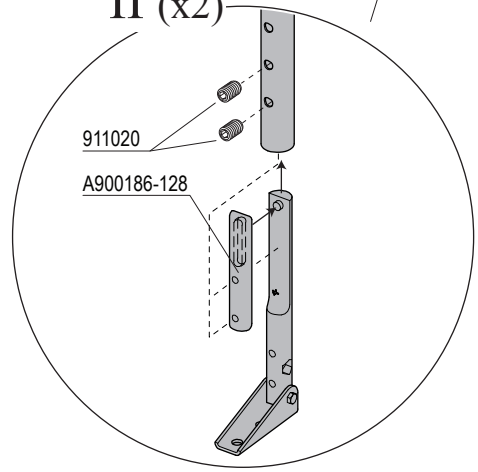
SC650602-5018P



I (x2)



II (x2)



VSC650602XX18P 20100805 AHE-Layout/MarSky

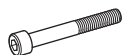


A

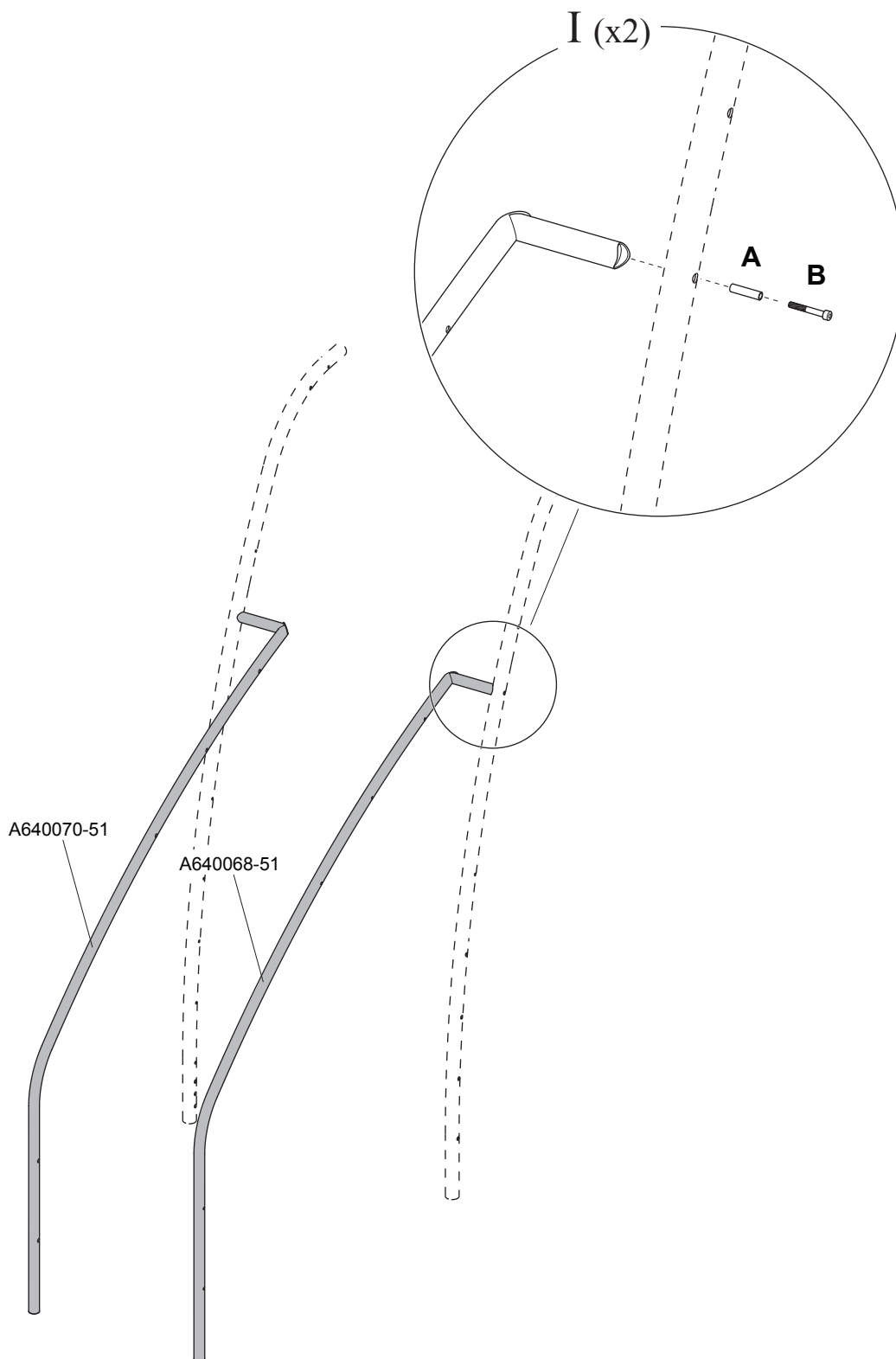


A640037-52

B



250101508060



A640070-51


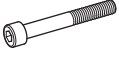

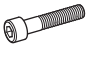


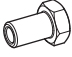

A640068-51




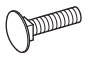
I (x2)

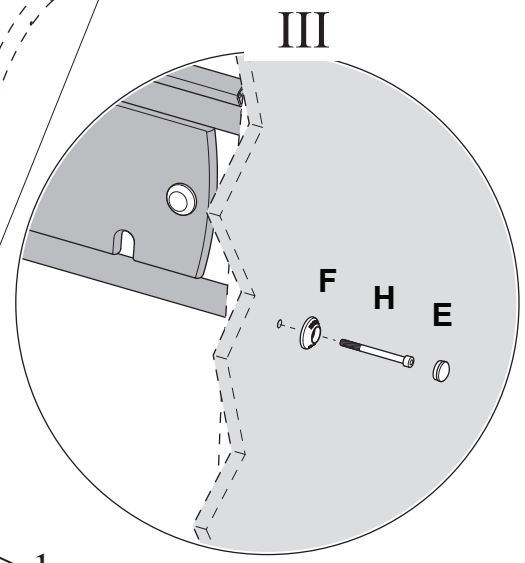
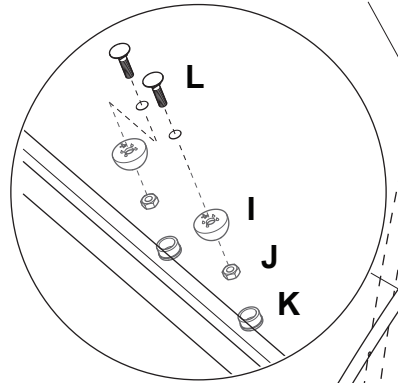
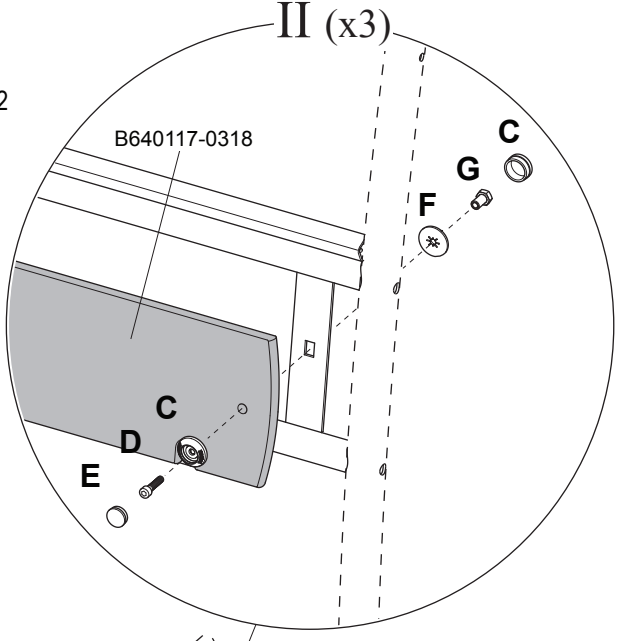
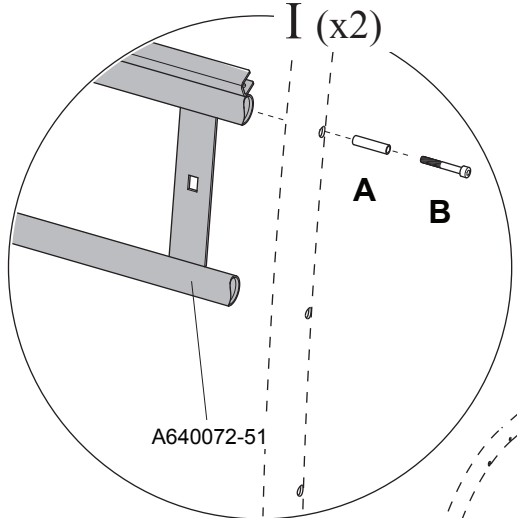
A

B



- A**

 A640037-52
- B**

 250101508060
- C**

 A640064-128
- D**

 250101508040
- E**

 A10015-140
- F**

 A640007-128
- G**

 A640063-52
- H**

 250101508090


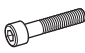


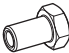
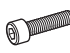




- I**

 A10086-06
- J**

 400010-A2
- K**

 A10085-06
- L**

 110038-A2

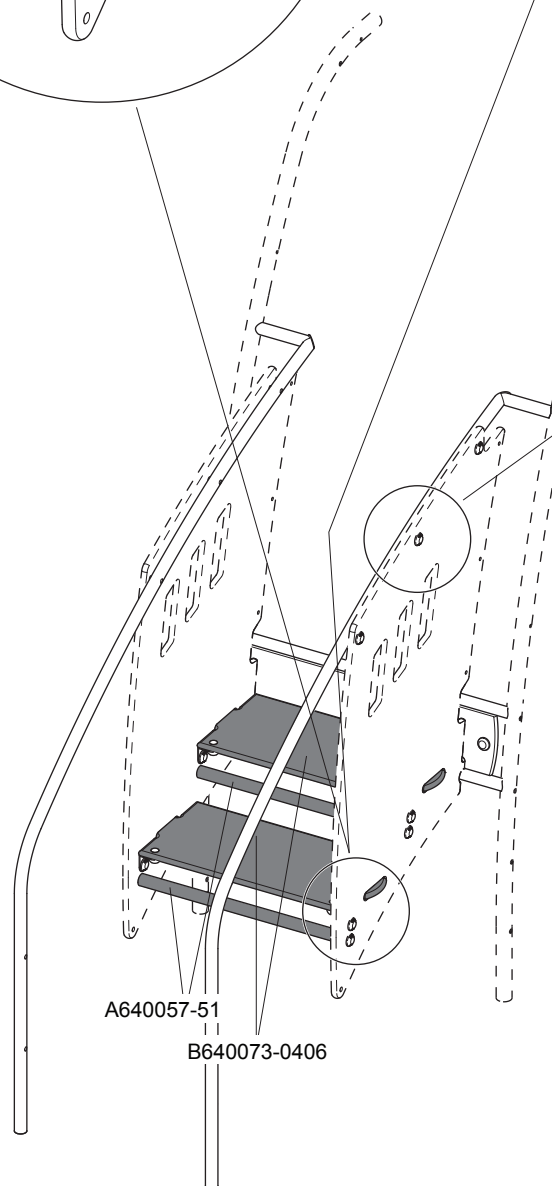
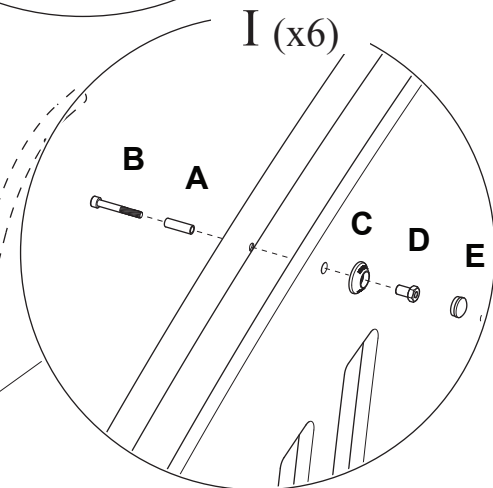
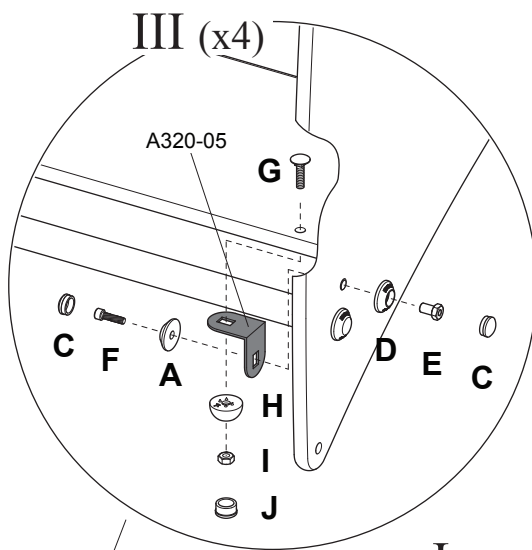
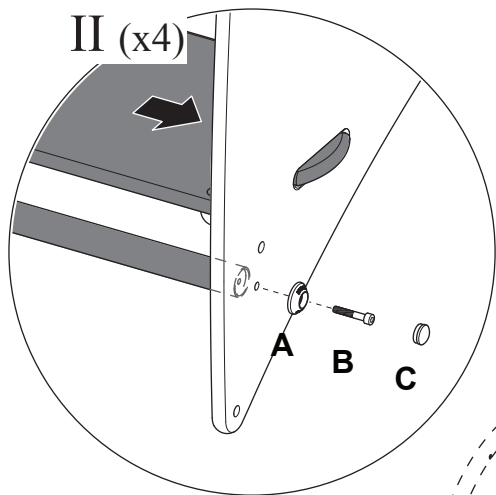


VSC650602XX18P 20100805 AHE-Layout/MarSky

							
I	III	III	III	III	III	III	III











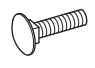



- A**  A640007-128
- B**  250101508040
- C**  A10015-140
- D**  A640064-128
- E**  A640063-52
- F**  250101508030
- G**  110038-A2
- H**  A10086-06
- I**  400010-A2
- J**  A10085-06

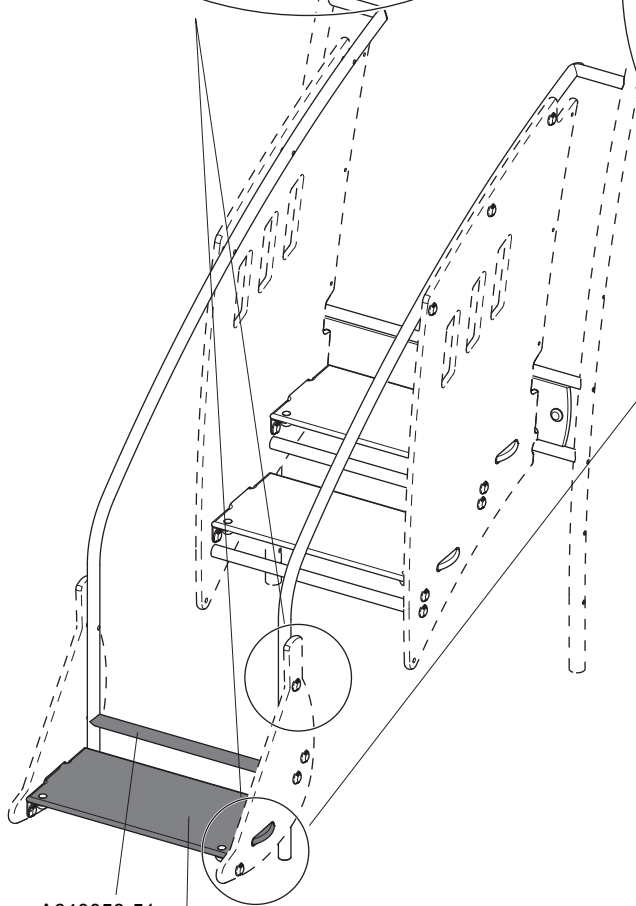
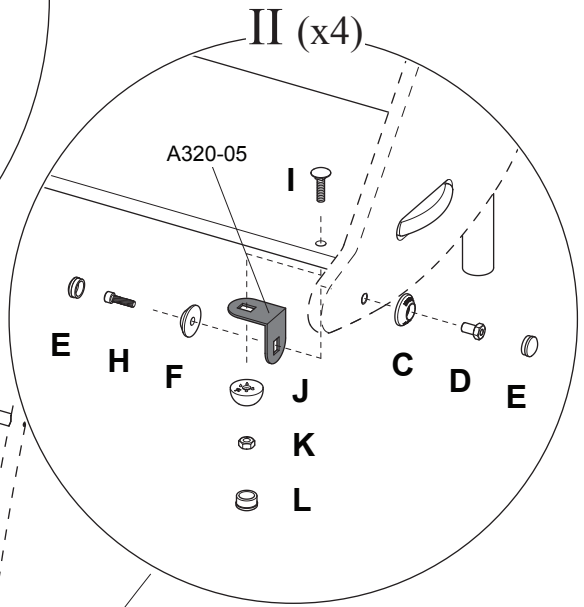
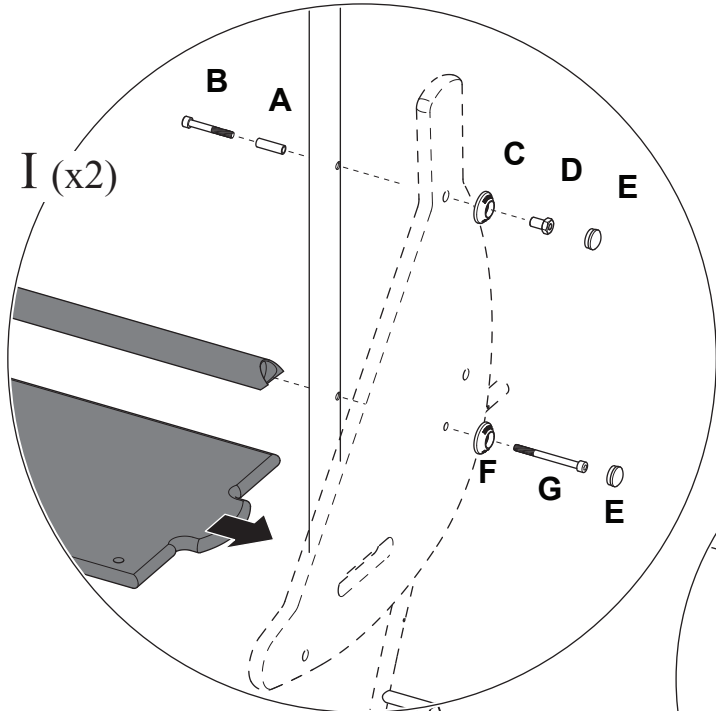


A640057-51
B640073-0406

VSC650602XX18P 20100805 AHE-Layout/MarSky









- | | | | | | | |
|---|---|--|---|---|--|---|
| A

A400292-52 | B

250101508060 | C

A640064-128 | D

A640063-52 | E

A10015-140 | F

A640007-128 | G

250101508090 |
| H

250101508030 | I

110038-A2 | J

A10086-06 | K

400010-A2 | L

A10085-06 | | |

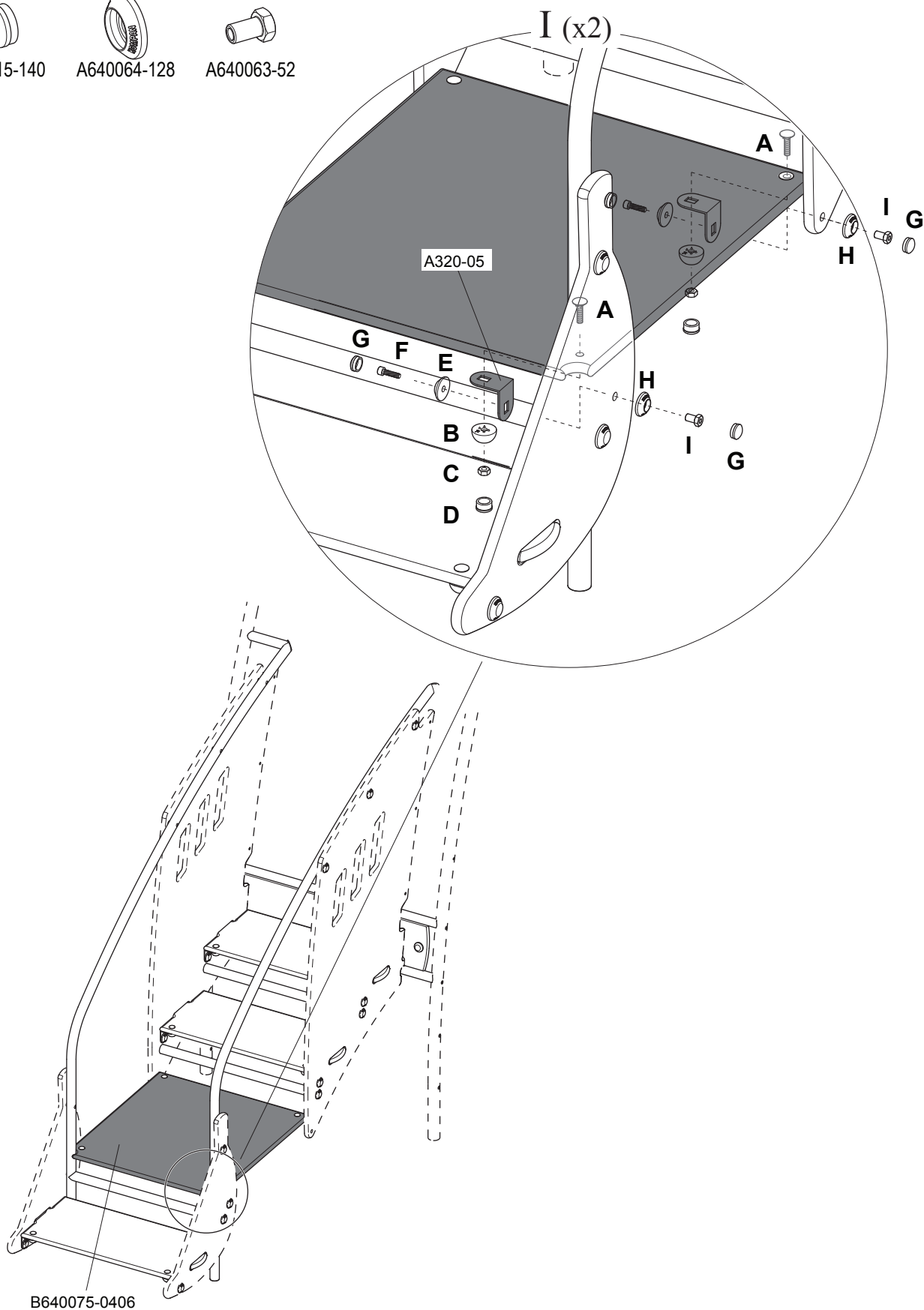


VSC650602XX18P 20100805 AHE-Layout/MarSky







- A**  110038-A2
- B**  A10086-06
- C**  400010-A2
- D**  A10085-06
- E**  A640007-128
- F**  250101508030

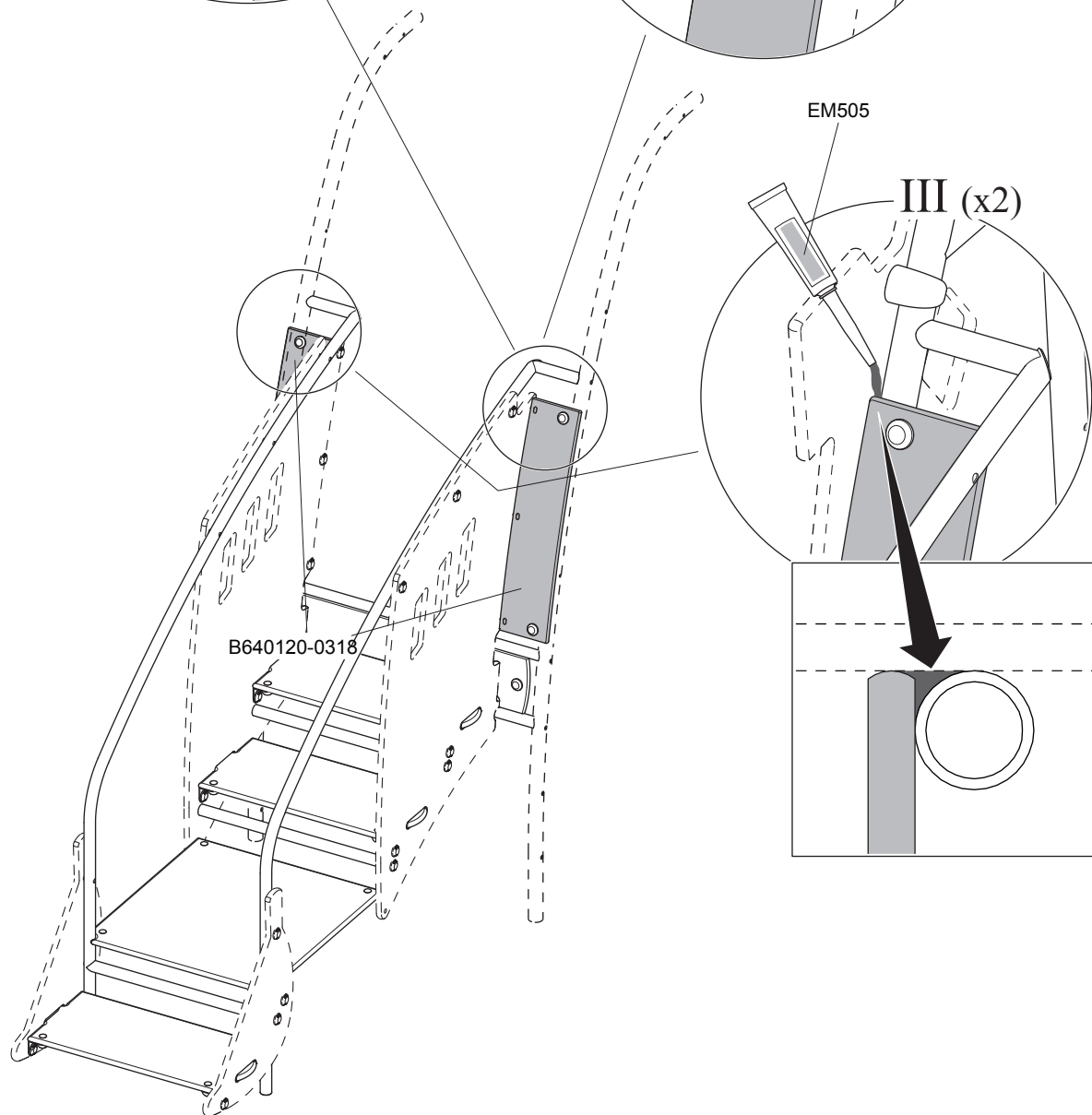
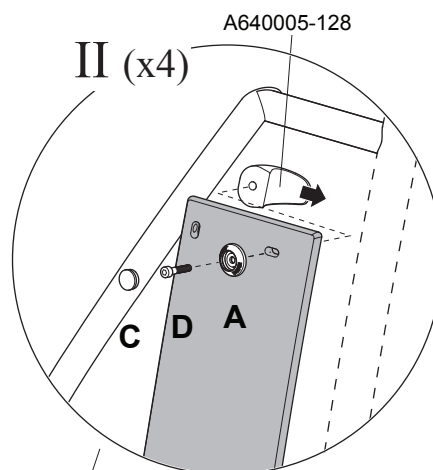
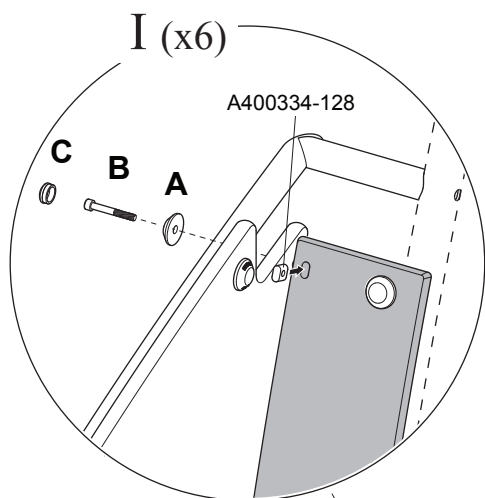
- G**  A10015-140
- H**  A640064-128
- I**  A640063-52

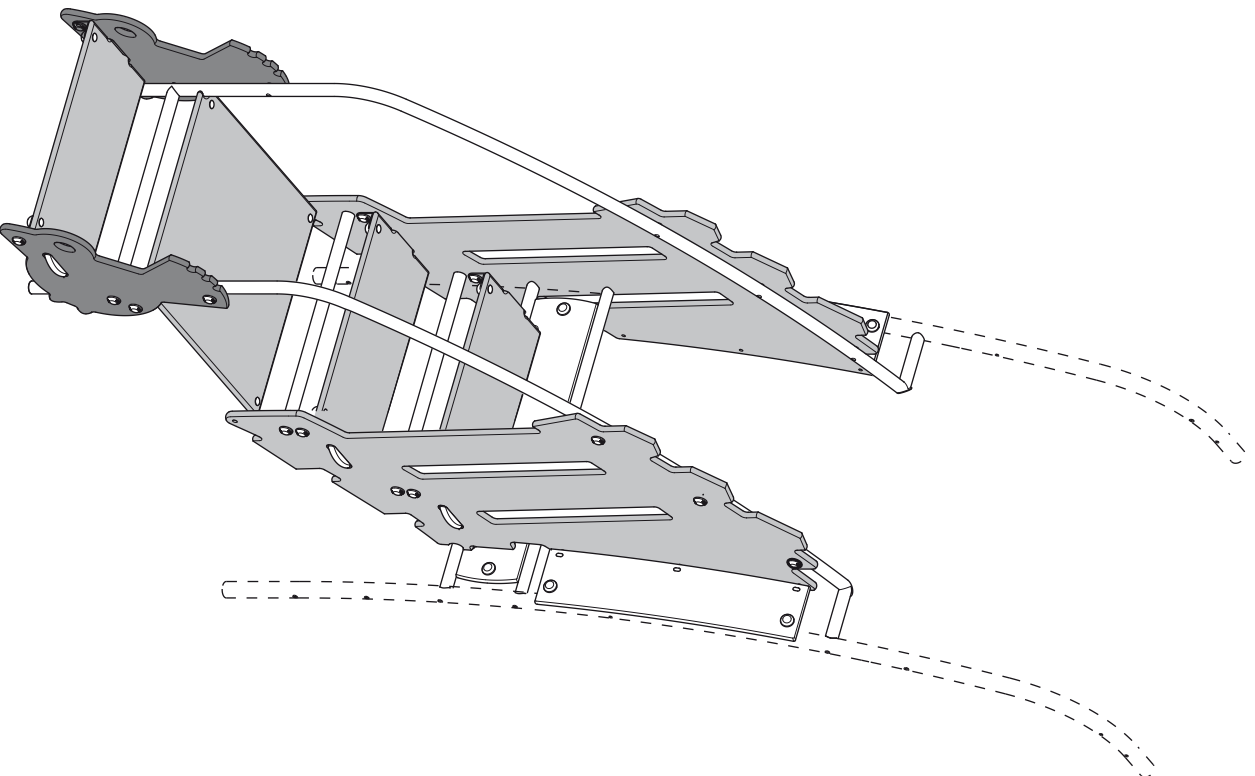


VSC650602XX18P 20100805 AHE-Layout/MarSky






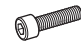






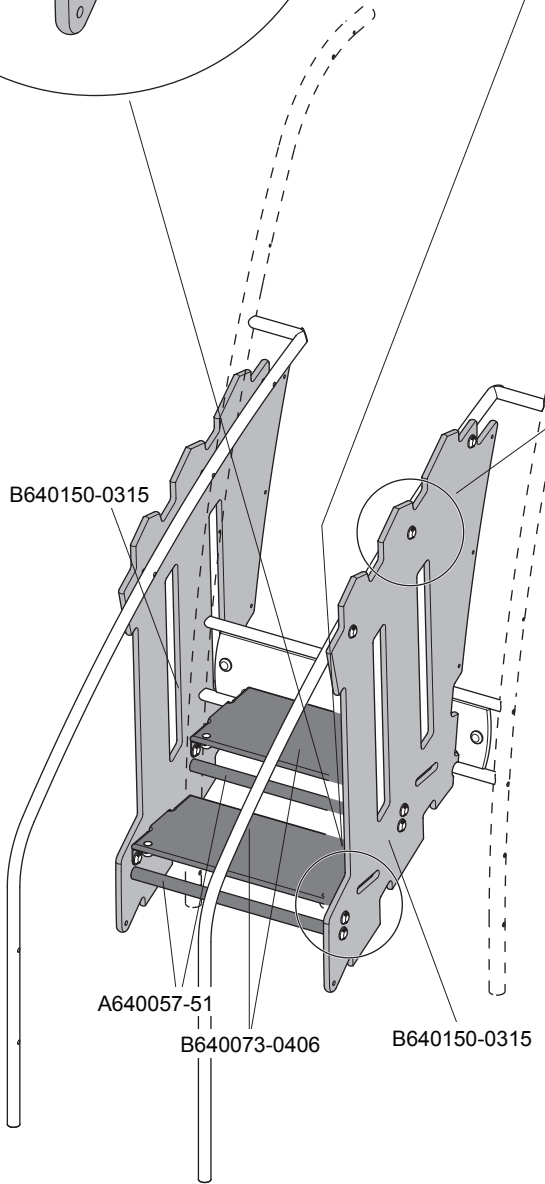
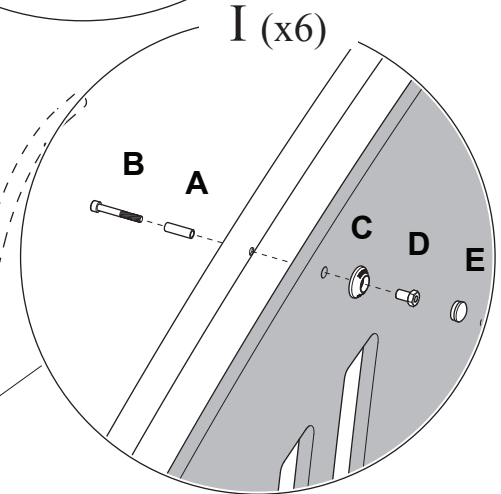
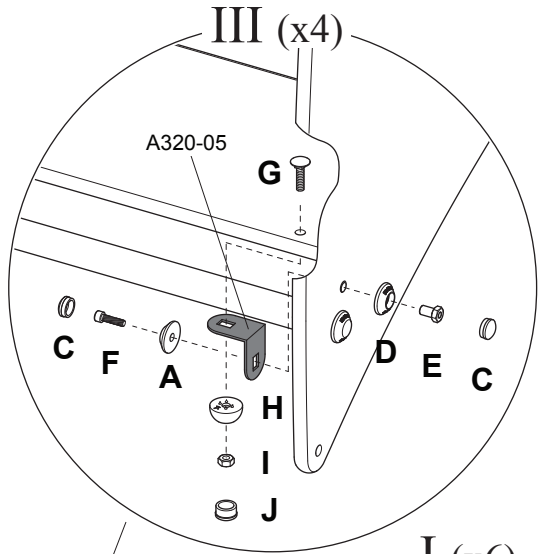
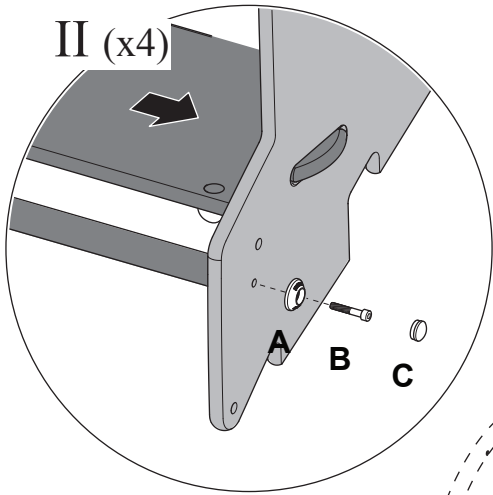
- A**  **B**  **C**  **D** 
- A640064-128 250101508060 A10015-140 250101508040







- A**

A640007-128
- B**

250101508040
- C**

A10015-140
- D**

A640064-128
- E**

A640063-52
- F**

250101508030
- G**

110038-A2
- H**

A10086-06
- I**

400010-A2
- J**

A10085-06



VSC650900XX18P 20100805 AHE-Layout/MarSky



- | | | | | | | |
|------------------------------|------------------------------|-----------------------------|----------------------------|----------------------------|-----------------------------|------------------------------|
| A

A400292-52 | B

250101508060 | C

A640064-128 | D

A640063-52 | E

A10015-140 | F

A640007-128 | G

250101508090 |
| H

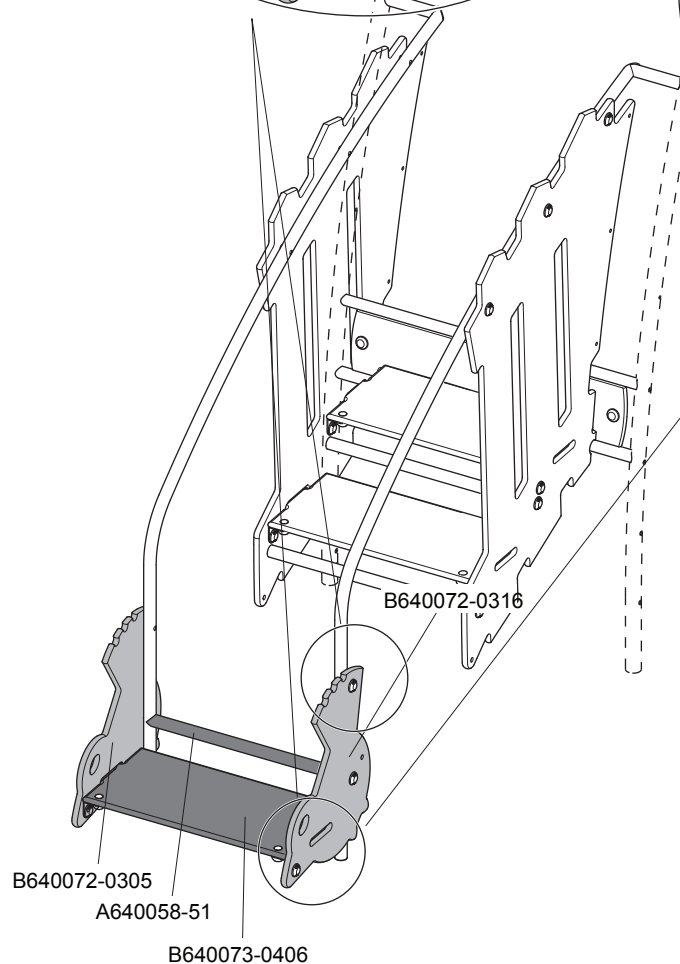
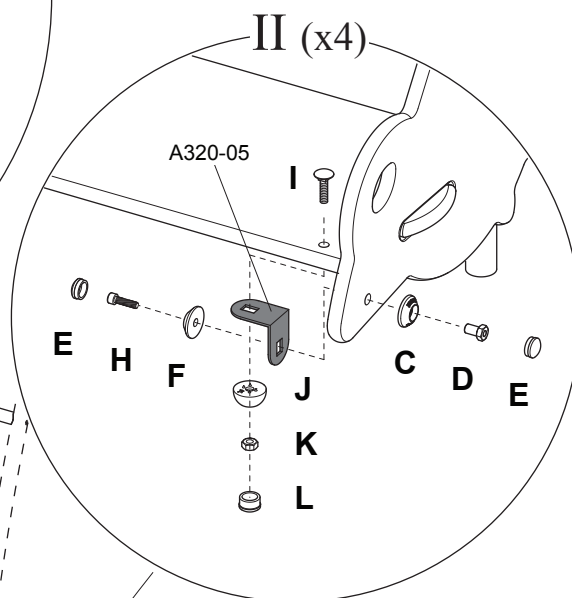
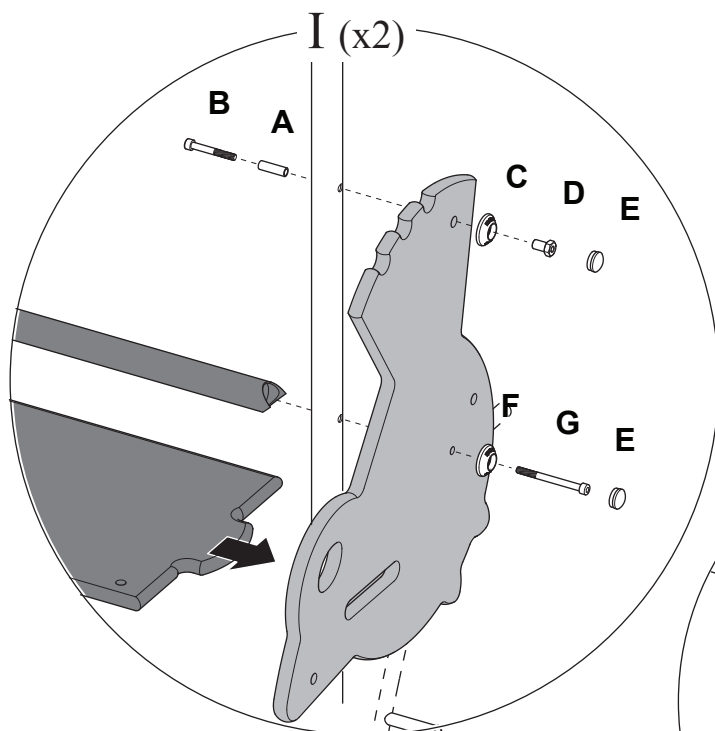
250101508030 | I

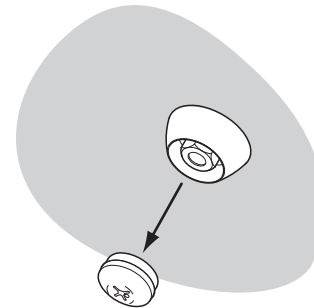
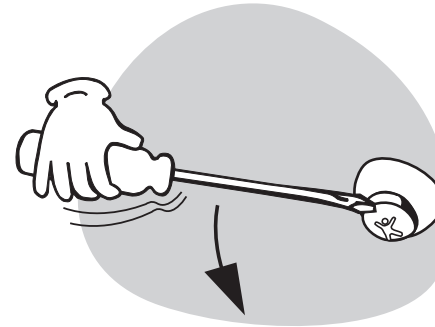
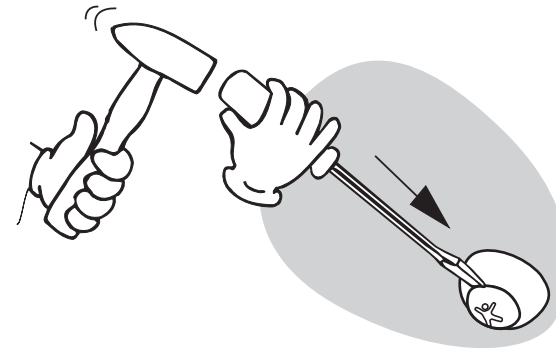
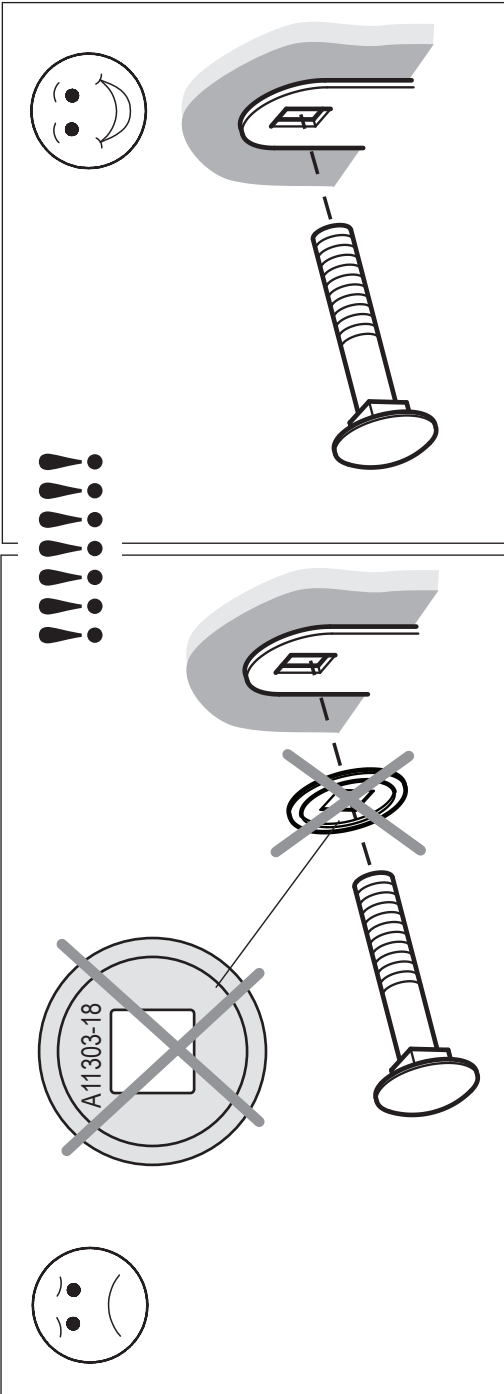
110038-A2 | J

A10086-06 | K

400010-A2 | L

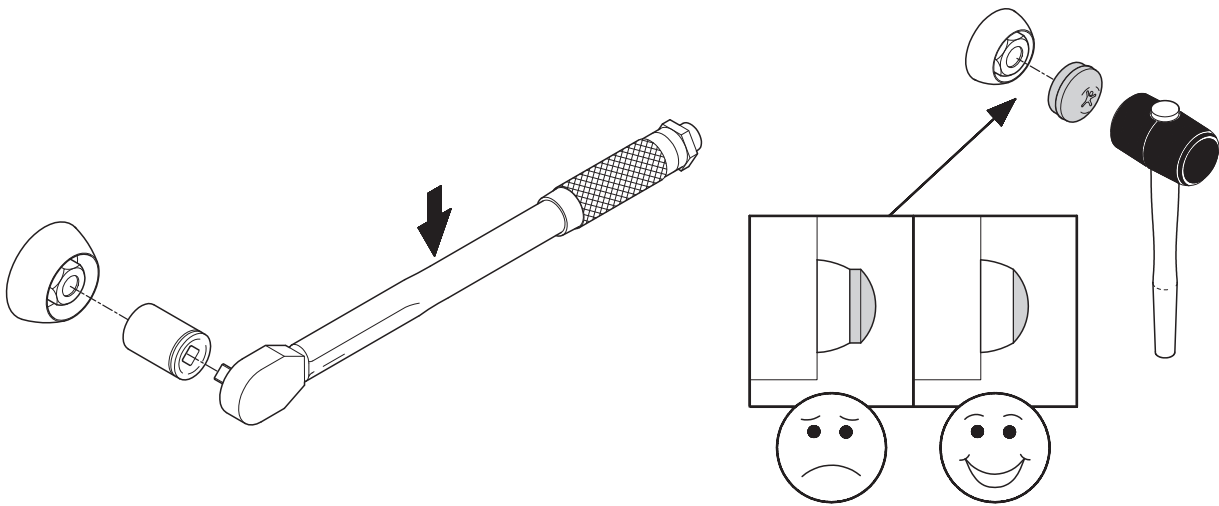
A10085-06 | | |





Do-Nut vejledning
 Do-Nut - Anleitung
 Do-Nut instructions
 Instrucciones del Do-Nut
 Instructions Do-Nut
 Istruzioni per Do-Nut
 Do-Nut handleiding
 Do-Nut anvisningar
 Do-Nut asennusohjeet
 Do-Nut инструкция

KOMPAN[®]
 Playful Living



EN

Important! Do not put DO-NUT caps on the DO-NUTs until the KOMPAN Product is completely assembled and all bolts are tightened.

DE

Achtung! DO-NUT-Kappen erst anbringen, wenn die ganze Anlage aufgestellt und sämtliche Bolzen angezogen sind.

FR

Important ! Ne mettez les capsules DO-NUT qu'une fois la combinaison entièrement montée et lorsque tous les boulons auront été solidement vissés

ES

¡Importante! No coloque las tapaderas DO-NUT hasta juntar toda la combinación y fijar todos los pernos.

IT

Importante! Non applicate i cappucci DO-NUT prima di aver montato tutto il Peschereccio ed aver stretto bene tutti i bulloni.

NL

Belangrijk! Zet de DO-NUT kappen niet op hun plaats voordat de hele combinatie in elkaar zit en alle bouten gespannen zijn.

SV

Viktigt! Vänta med att slå på DO-NUT-hattarna tills hela anläggningen är monterad och alla skruvar åtdragna.

DA

Vigtigt! Vent med at slå DO-NUT-hætterne på, til hele anlægget er samlet og alle bolte er fastspændt.

FI

TÄRKEÄÄ! Älä asenna DO-NUT pultinsuojien hattuosia pultinsuojiin, ennen kuin väline on kokonaan asennettu ja kaikki pultit on kiristetty.

RU

Внимание! Не забивайте DO-NUTs (заглушки) до окончания сборки и затягивания всех болтов.

For USA / Canada only:

Installation Instruction for Warning Labels

NOTE: IF YOUR PLAYGROUND REQUIRES COMPLIANCE TO THE U.S. STANDARD ASTM 1487, INSTALLATION OF THE WARNING LABEL IS MANDATORY.

Install the Label on your play structure such that it is visible from a distance of 8 feet and apparent to anyone approaching the structure. Select a smooth surface. The surface must be clean and dry to insure reliable adhesion.

If a label becomes unreadable for any reason, contact us to receive a new one free of charge.

KOMPAN, Inc.
930 Broadway
Tacoma, WA 98501
Tel: (800)426-9788 Fax: (360)943-6254

Uniquement destiné aux Etats-Unis et au Canada:

Instructions de pose des étiquettes d'avertissement

NOTE: SI VOTRE AIRE DE JEUX DOIT ETRE EN CONFORMITE AVEC LA NORME AMERICAINE ASTM1487, L'INSTALLATION DE L'ETIQUETTE D'AVERTISSEMENT EST OBLIGATOIRE.

Placez l' étiquette sur l' équipement de jeux de manière à ce qu'elle soit visible à partir d'une distance de 8 pieds et apparente à quiconque s'approche de l'équipement. La surface doit être propre et sèche afin d'assurer une bonne adhésion.

Si pour une raison quelconque une étiquette devient illisible, prière de nous contacter afin de recevoir une nouvelle étiquette gratuitement.

KOMPAN, Inc.
930 Broadway
Tacoma, WA 98501
Tél: (800)426-9788 Fax: (360)943-6254

V00027 20060918 RikBon

Sólo para EE.UU. / Canadá:

Instrucciones de colocación de las etiquetas de advertencia

NOTA: SI SU ZONA DE RECREO TIENE QUE CUMPLIR LA NORMA ASTM1487 ESTADOUNIDENSE, ENTONCES ES OBLIGATORIO COLOCAR LA ETIQUETA DE ADVERTENCIA.

Coloque la etiqueta en la estructura de juego de modo que sea visible a 8 pies (unos 2,5 m) de distancia y que sea apreciable para cualquiera que se acerque a la estructura. Elija una superficie lisa. La superficie debe estar limpia y seca para garantizar que se pegue bien.

Si por cualquier motivo una etiqueta ya no fuera legible, contacte con nosotros y le enviaremos una nueva gratis.

KOMPAN, Inc.
930 Broadway
Tacoma, WA 98501
Tel.: (800)426-9788 Fax: (360)943-6254

For USA / Canada only:

Age appropriateness Label

To comply with the canadian standard for Playspaces and Equipment CAN/CSA Z614-03 it is required to install a label indicating the age group for which the product has been designed.

The label must be installed on your structure in a visible and readable space. The surface must be clean and dry to insure reliable adhesion.

In USA the use of label is voluntary.

Uniquement destiné aux Etats-Unis et au Canada:

Etiquette mentionnant l'âge approprié

Afin de respecter la norme canadienne en matière d'espaces et d'équipements de jeux CAN/CSA Z614-03, il est nécessaire d'installer une étiquette indiquant la catégorie d'âge pour laquelle le produit a été conçu.

L'étiquette doit être installée sur votre équipement à un endroit visible et lisible. La surface doit être propre et sèche afin d'assurer une bonne adhésion.

Aux Etats-Unis, l'utilisation de cette étiquette est facultative.

Sólo para EE.UU. / Canadá:

Etiqueta con las edades idóneas

Para cumplir con la norma canadiense sobre Equipos y Espacios de juego CAN/CSA Z614-03, hay que colocar una etiqueta que indique el grupo de edad para el que está diseñado el producto.

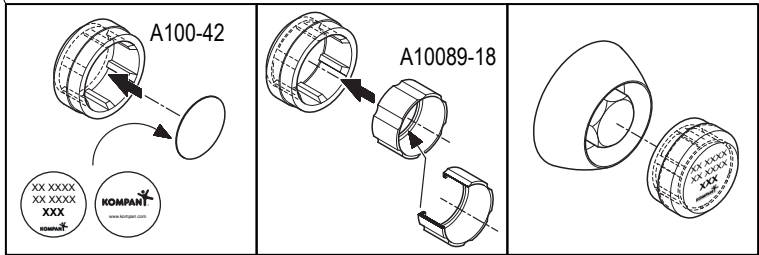
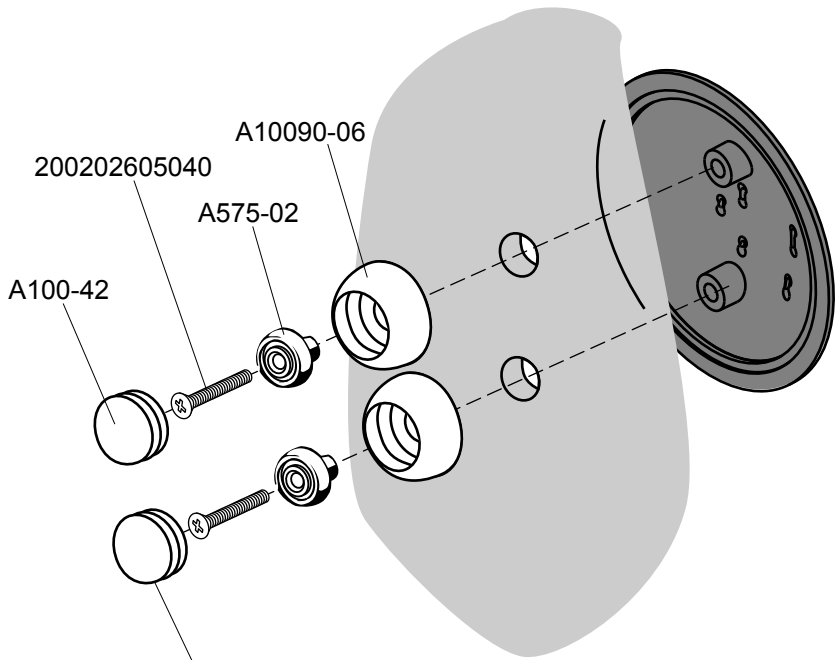
La etiqueta debe colocarse en la estructura en un sitio visible y legible. La superficie debe estar limpia y seca para garantizar que se pique bien.

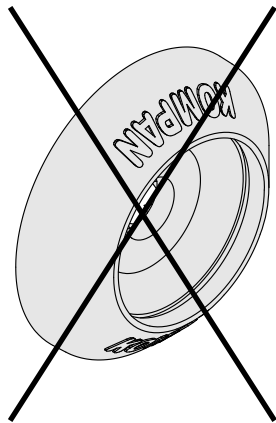
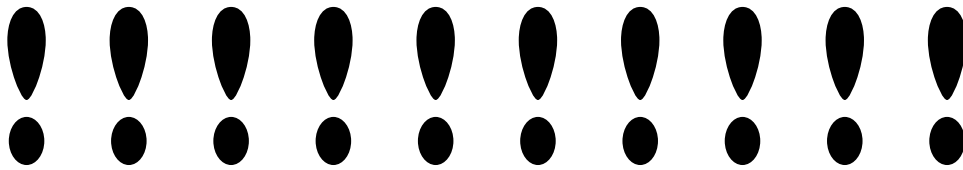
En EE.UU el uso de esta etiqueta es voluntario.

moments

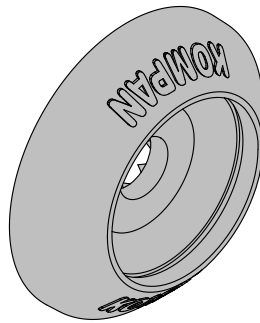
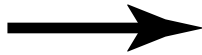


A200079-06

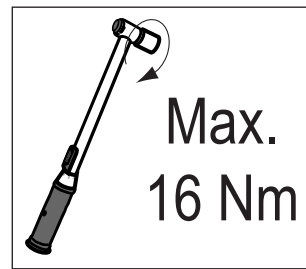




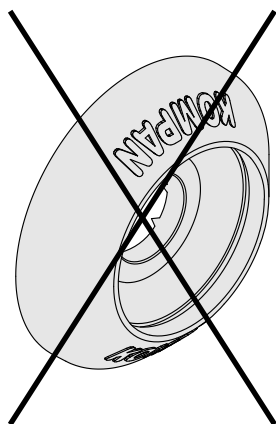
A640007-128



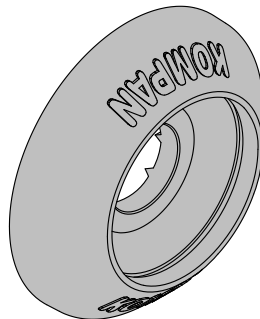
A640007-188



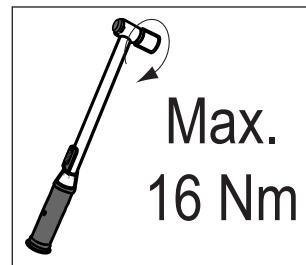
Max.
16 Nm



A640064-128



A640064-188



Max.
16 Nm