

NRO1011

Village Tower With Slide

KOMPAN[®]
Let's play

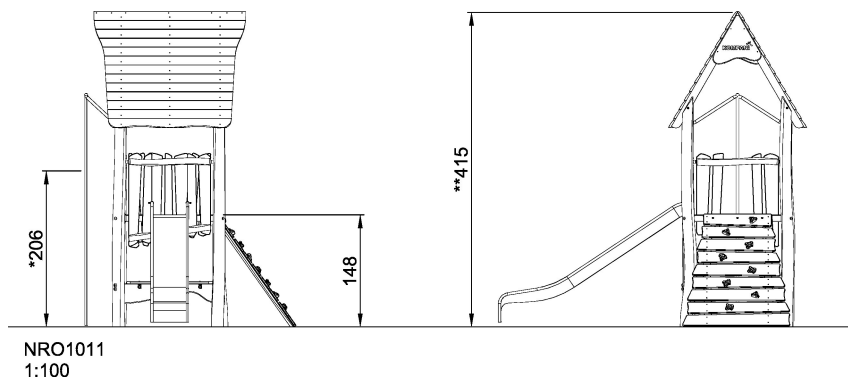
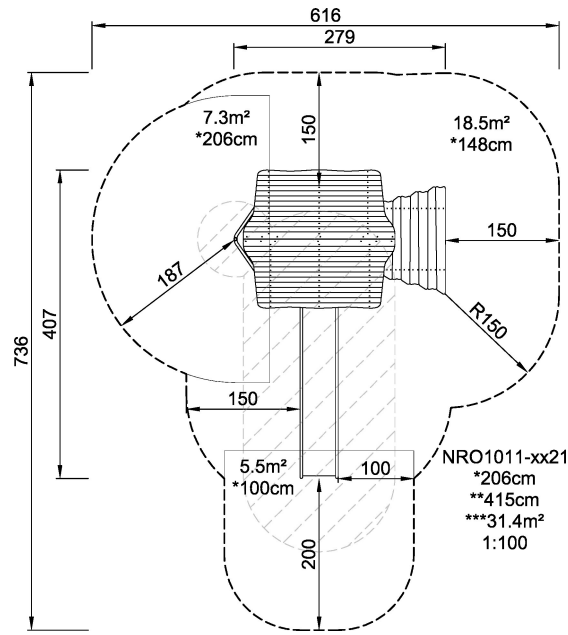


Play tower with classic roof & slide. Tower access by angled rock climber. Fireman's pole or slide exits. Below the panel there is a play counter. The product is available in 3 versions: 1: Unthreated Robinia wood. 2: Brown oiled wood. 3: Combined color and unthreated wood. FSC[®] Certified (FSC[®] C004450) robinia wood on request.

Product Line	Organic Robinia
Category	Multi play structures
Age group	4 - 10
Max. fall height (CM)	206
Total height (CM)	415
Safety Zone	31.4 m ²



**IN-
GROU.**



* = Highest designated play surface.
** = Total height of product.

Weight/heaviest parts	kg.	Installation (Manpower)	Persons
Concrete required	NaN m ³	Installation (Hours)	Hours
Foundation amount/footing	NaN	Excavation	NaN m ³