

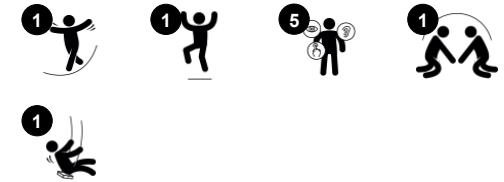
# Swing H:2.5m, 100cm Rope Seat

KSW90040

**KOMPAN**  
Let's play



Item no. KSW90040-0909	
<b>General Product Information</b>	
Dimensions LxWxH	362x237x274 cm
Age group	4+
Play capacity (users)	7
Colour options	



The bird's nest swing is a playground favourite, children love it! The nest swing seat can fit multiple users at once, making it a very sociable and fun experience, as well as teaching children to take it in turns and cooperate, the seat can also be used individually for a more relaxing swing. The seat caters all abilities and most ages meaning

swinging can be a common experience. Swinging trains the children's ABC: agility, balance and coordination, as well as their spatial awareness. The Bird Nest seat allows for standing sitting, lying and jumping off. All these activities support the development of arm, leg and core muscles and building bone density – the majority of which is built up during

the first years of life.



# Swing H:2.5m, 100cm Rope Seat

KSW90040



The A-Frame is available with tree post material options: Hot dip galvanized  $\varnothing 70$ mm steel, impregnated pine wood 95x95mm with hot dip galvanized steel footings or  $\varnothing 120$ mm TexMade™ posts.



The A-Frame is designed with hot dip galvanized  $\varnothing 100$ mm crossbar with large steel end plates for strong fixation to the posts. The crossbeam is prepared for all KOMPAN hanger options.



KOMPAN heavy duty designed swing hangers of stainless steel with anti-twist function. The hangers are attached to the cross beam on a welded bracket with two bolts. The bearings are embedded with silicone lubricant and needs no further lubrication.



KOMPAN designed the bird's nest seats to be light in weight and in compliance with global safety standards. The soft, shock absorbent bumpers with non-slip surface makes the swing seat extremely user friendly. Choose between a rope version with reinforced PA rope or a moulded PE version. Both equipped with soft rubber bumpers.



A-Frame GreenLine swings are equipped with stability panels to ensure frame durability. The panels are made of 19mm EcoCore™. EcoCore™ is a highly durable, eco friendly material, which is not only recyclable after use, but also consists of a core produced from 100% recycled post consumer material from food packing waste.



KOMPAN GreenLine versions are designed with ultimate environmentally friendly materials with lowest possible CO2e emission factor. TexMade post, EcoCore™ panels of 100% post consumer recycled ocean waste and molded PP decks.

Item no. KSW90040-0909

## Installation Information

Max. fall height	143 cm
Safety surfacing area	17.4 m <sup>2</sup>
Number of installers	2
Total installation time	4.3
Excavation volume	1.30 m <sup>3</sup>
Concrete volume	0.00 m <sup>3</sup>
Footing depth (standard)	90 cm
Shipment weight	166 kg
Anchoring options	Surface ✓ In-ground ✓

## Warranty Information

Hot dip galvanised steel	Lifetime
Swing seat	10 years
Swing hangers	5 years
Ropes & nets	10 years
Spare parts guaranteed	10 years





Cradle to Gate A1-A3	Total CO <sub>2</sub> emission	CO <sub>2</sub> e/kg	Recycled materials
	kg CO <sub>2</sub> e	kg CO <sub>2</sub> e/kg	%
<b>KSW90040-0909</b>	501.70	3.13	43.10
<b>KSW90040-0950</b>	307.60	1.25	83.40

The overall framework applied for these factors is the Environmental Product Declaration (EPD), which quantifies "environmental information on the life cycle of a product and enable comparisons between products fulfilling the same function" (ISO, 2006). This follows the structure and applies a Life-Cycle Assessment approach to the entire Product stage from raw material through manufacturing (A1-A3))

**Kompan A/S**  
 C.F. Tietgens Boulevard 32C  
 DK-5220 Odense SØ  
 Denmark



### Validation of CO<sub>2</sub> calculation of: Freestanding play equipment



Data version no. 2021-09-27

The CO<sub>2</sub> calculation and data are in compliance with the principles of a carbon footprint impact according to the GHG protocol (Greenhouse Gas Protocol), Scope 3, cradle to gate related to all individual components in the product category: "Freestanding play equipment" represented by item no.: KSW92011-0910.

(Scope 3 emissions include emission sources in the upstream and downstream value chain).

**Date: 15. October 2021 | Valid until: 15. October 2023**

**Validated by:**

Bente Hviid, Senior Consultant

Peter Bendtsen, Senior Consultant

Validation based on report: Validation of CO<sub>2</sub> calculation of 8 categories of Kompan product line, version 1.0, prepared by: Bureau Veritas HSE, Denmark: Bente Hviid and Peter Bendtsen.

**Publication date: 15. October 2021**

**By Bureau Veritas HSE**  
 www.bureauveritas.dk  
 +45 7731 1000

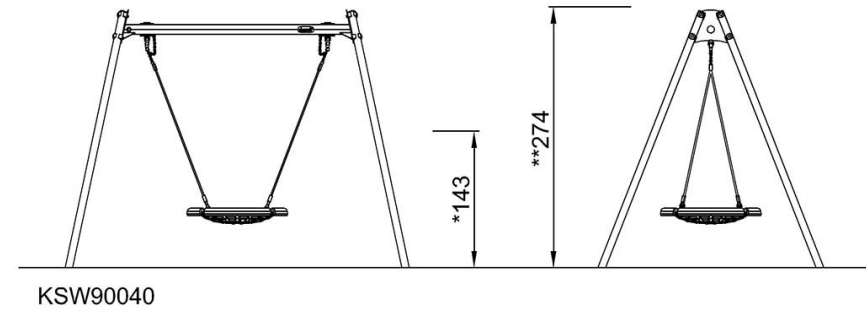
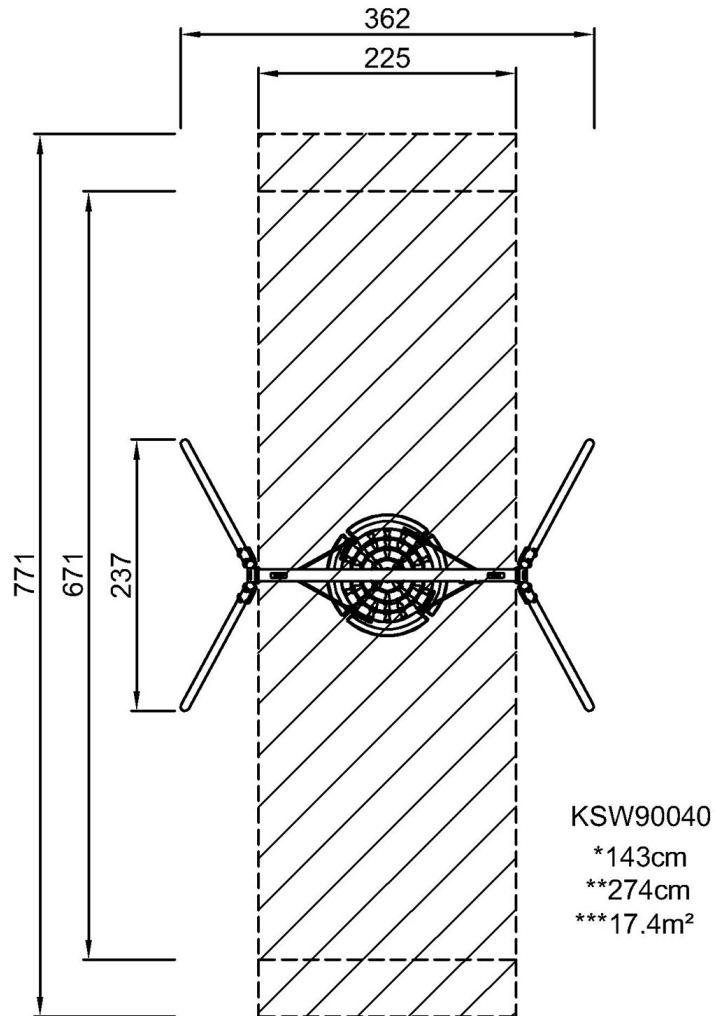


# Swing H:2.5m, 100cm Rope Seat

KSW90040

\* Max fall height | \*\* Total height | \*\*\* Safety surfacing area

\* Max fall height | \*\* Total height



[Click to see TOP VIEW](#)

[Click to see SIDE VIEW](#)