

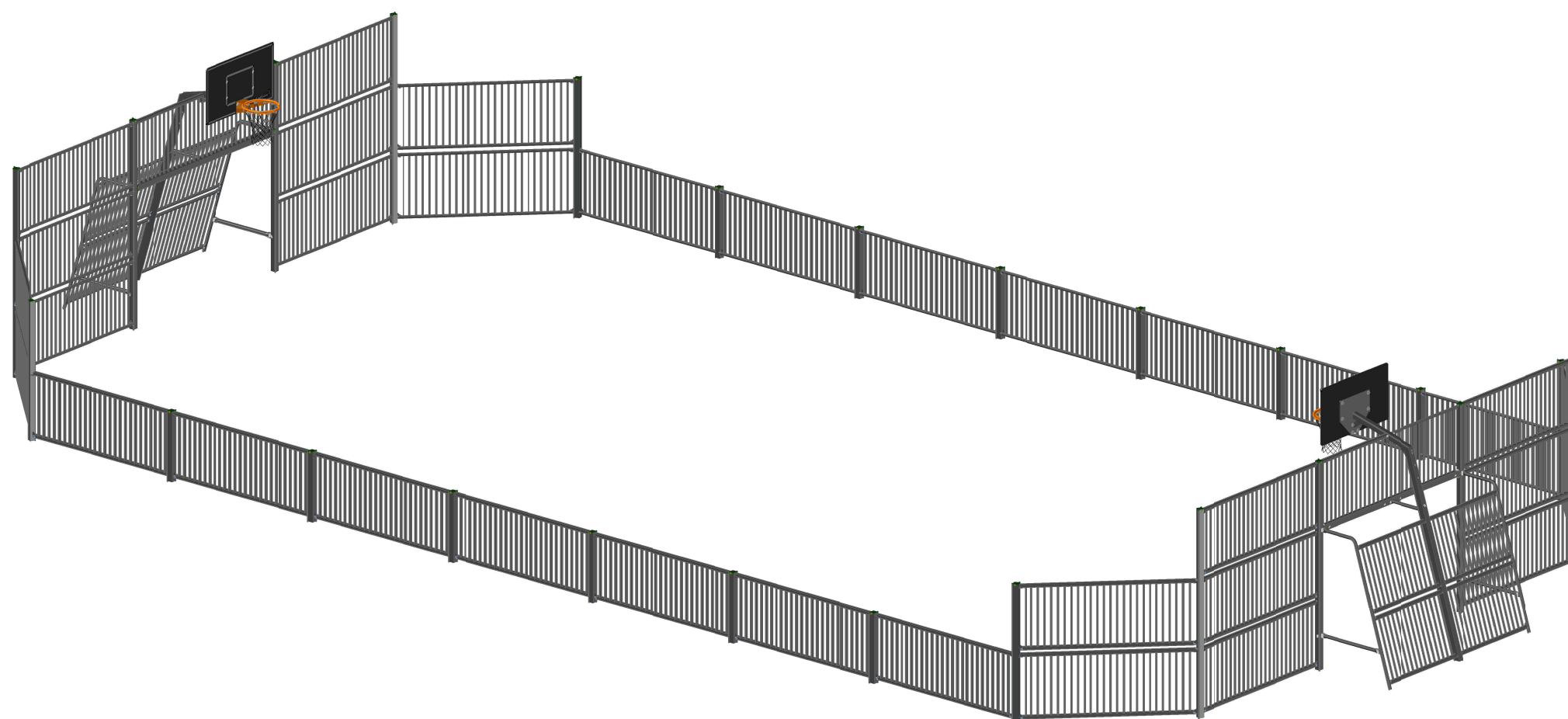
KOMPAN!

FRE6001

AneHab
2018-10-05

Colorline: Steel
Foundation: 90 Cm
Norm: EN
Units: cm / inch
Post Material: Steel

IN-GROUND



34x RE610103-02



2x RE626101-02



2x RE650101-00



8x RE628201-02



2x RE620101-0902



2x RE620102-0902

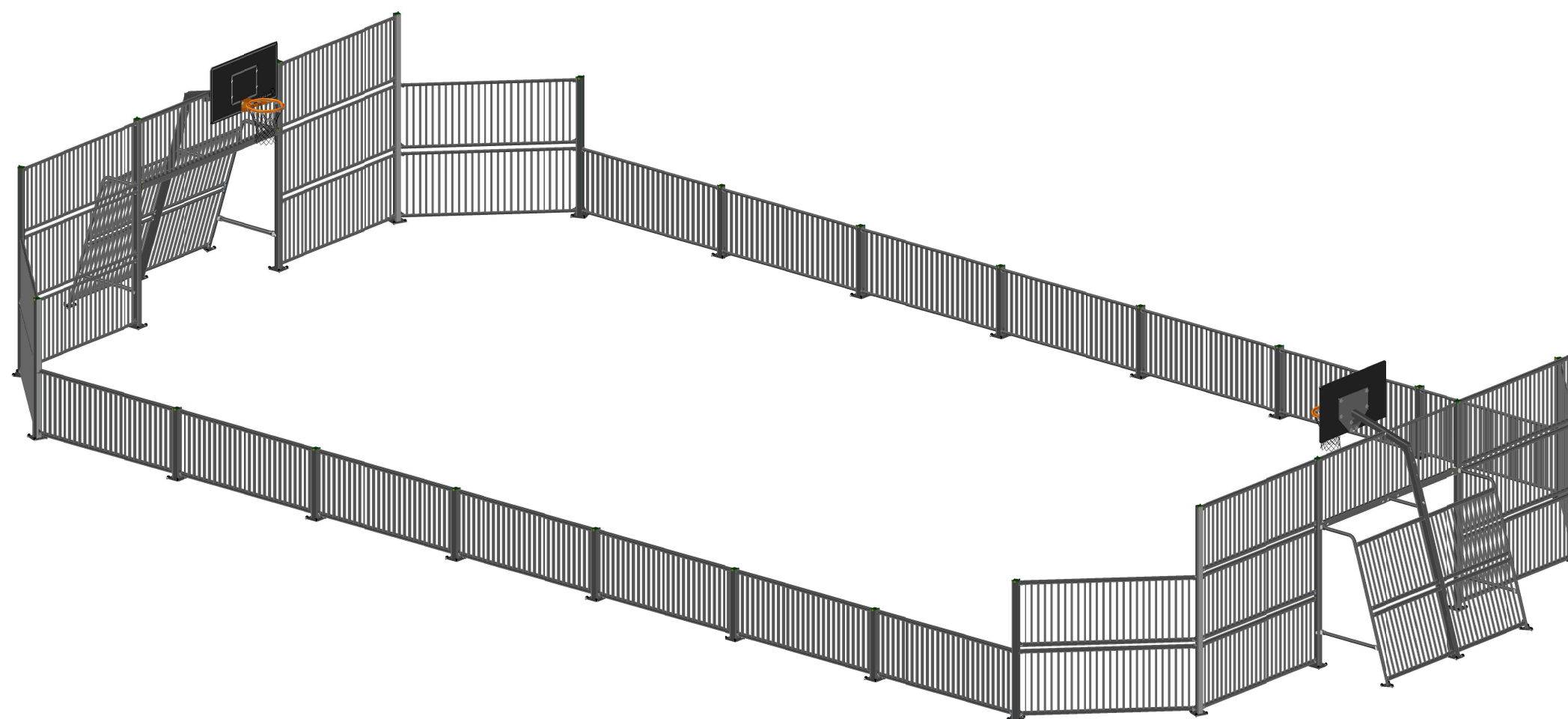


2x RE623201-0902

KOMPAN!

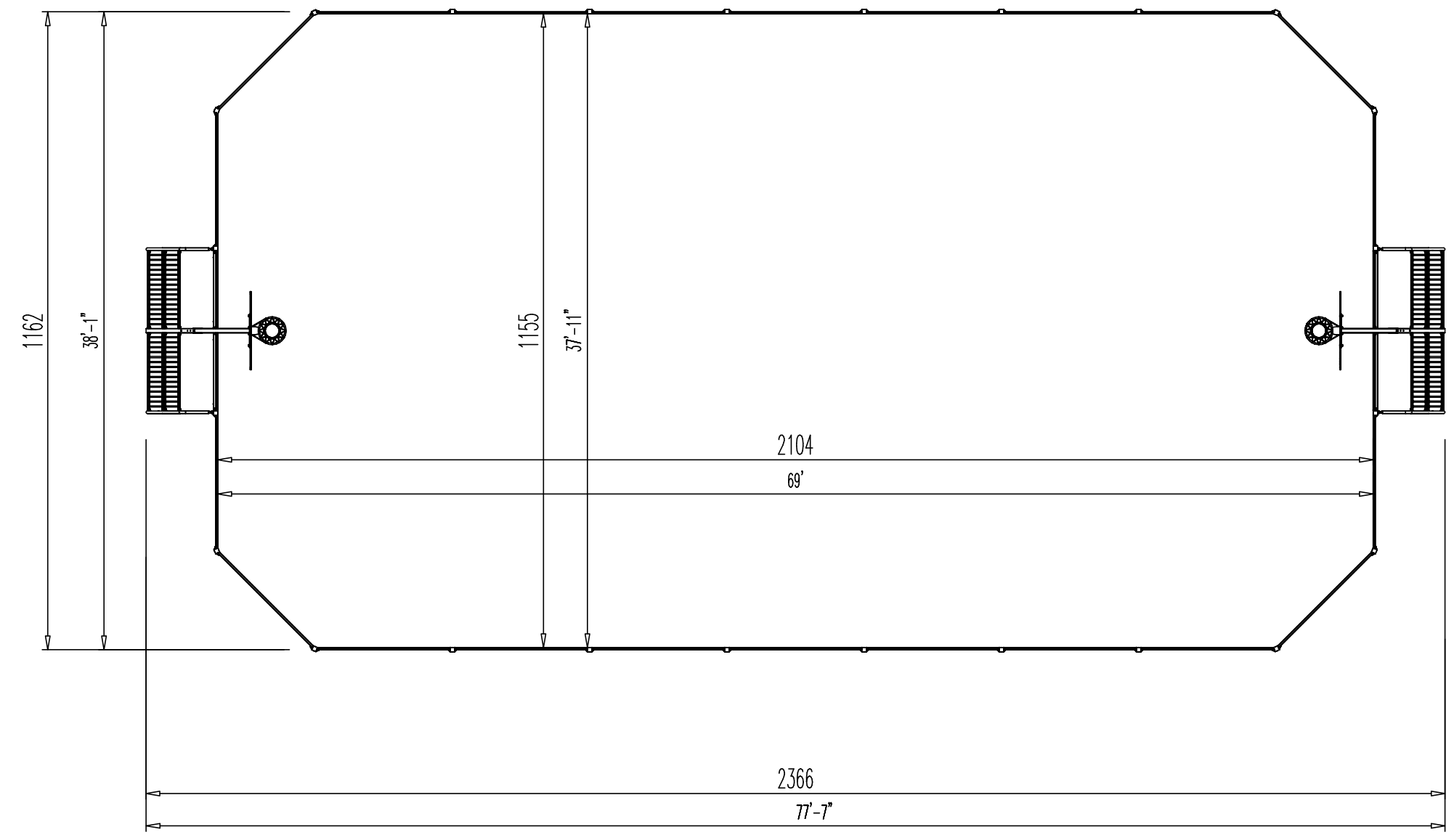
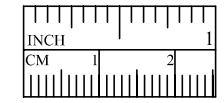
FRE6001

AneHab
2018-10-05

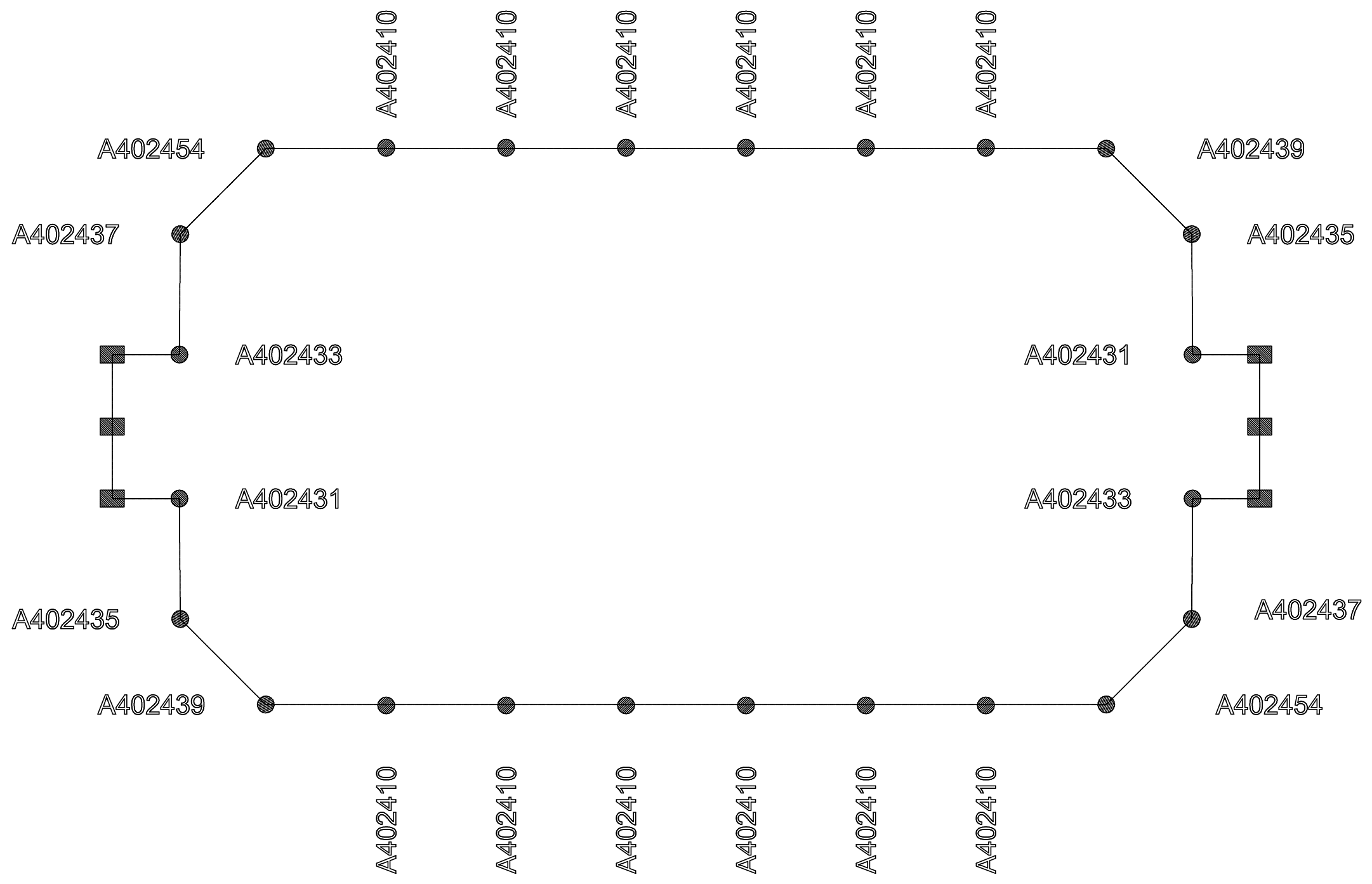


SURFACE

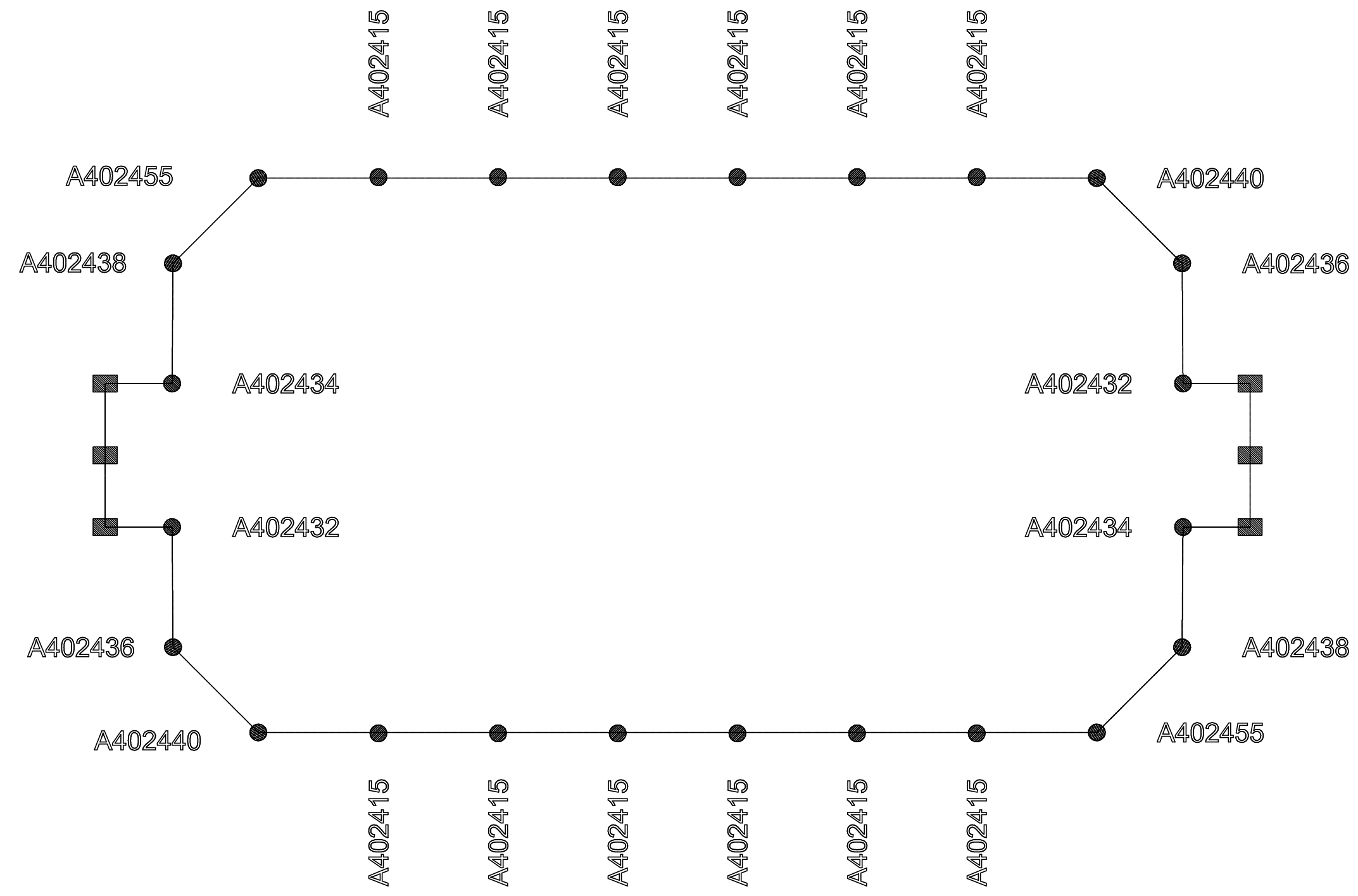
- 2x RE620101-0002
- 2x RE620102-0002
- 2x RE623201-0002



IN-GROUND



SURFACE

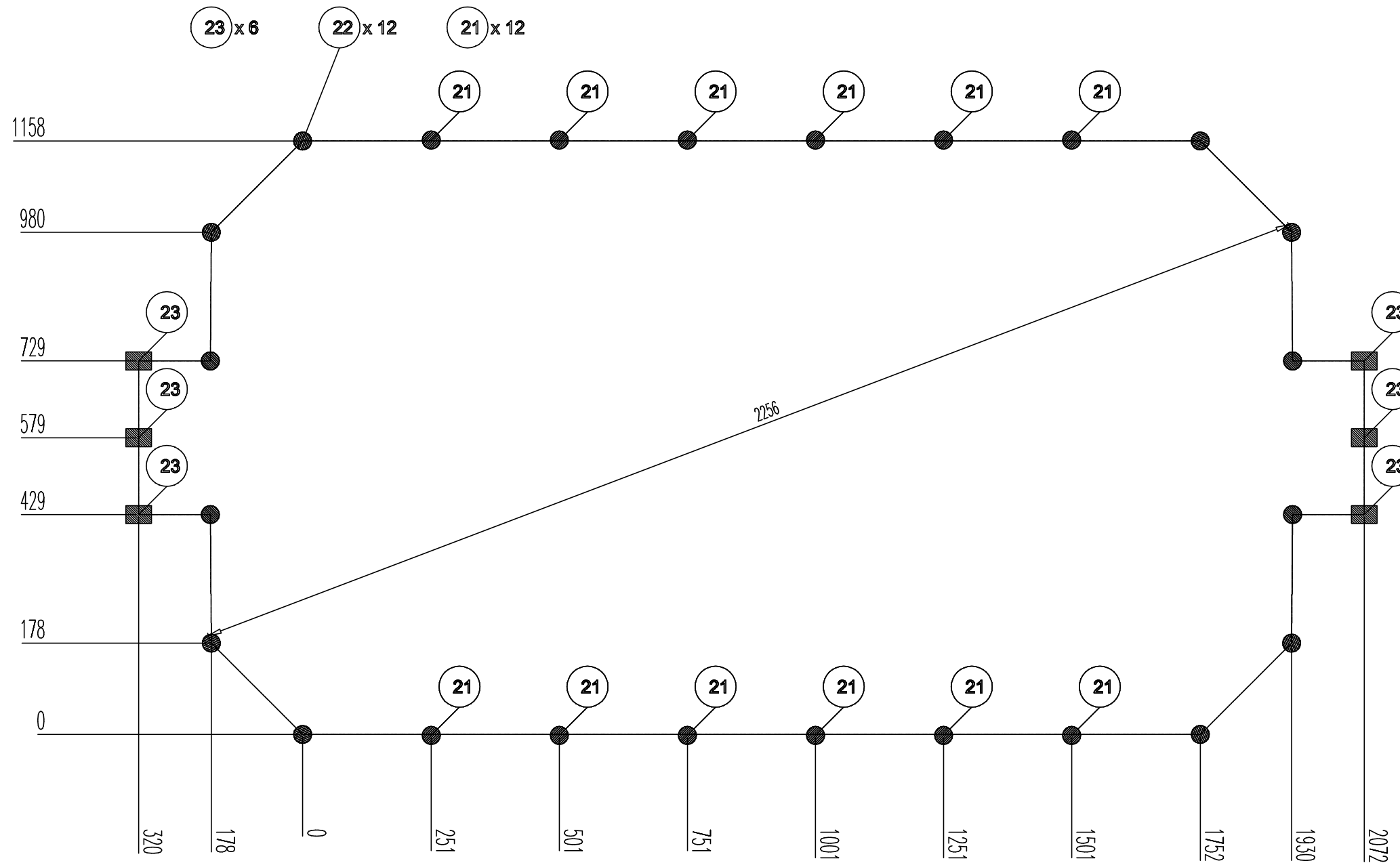


AneHab
2018-10-05

1:100

Beton
Betón
Concrete
Hormigón
Béton
Cemento
Betón
Betong

1.69 m³

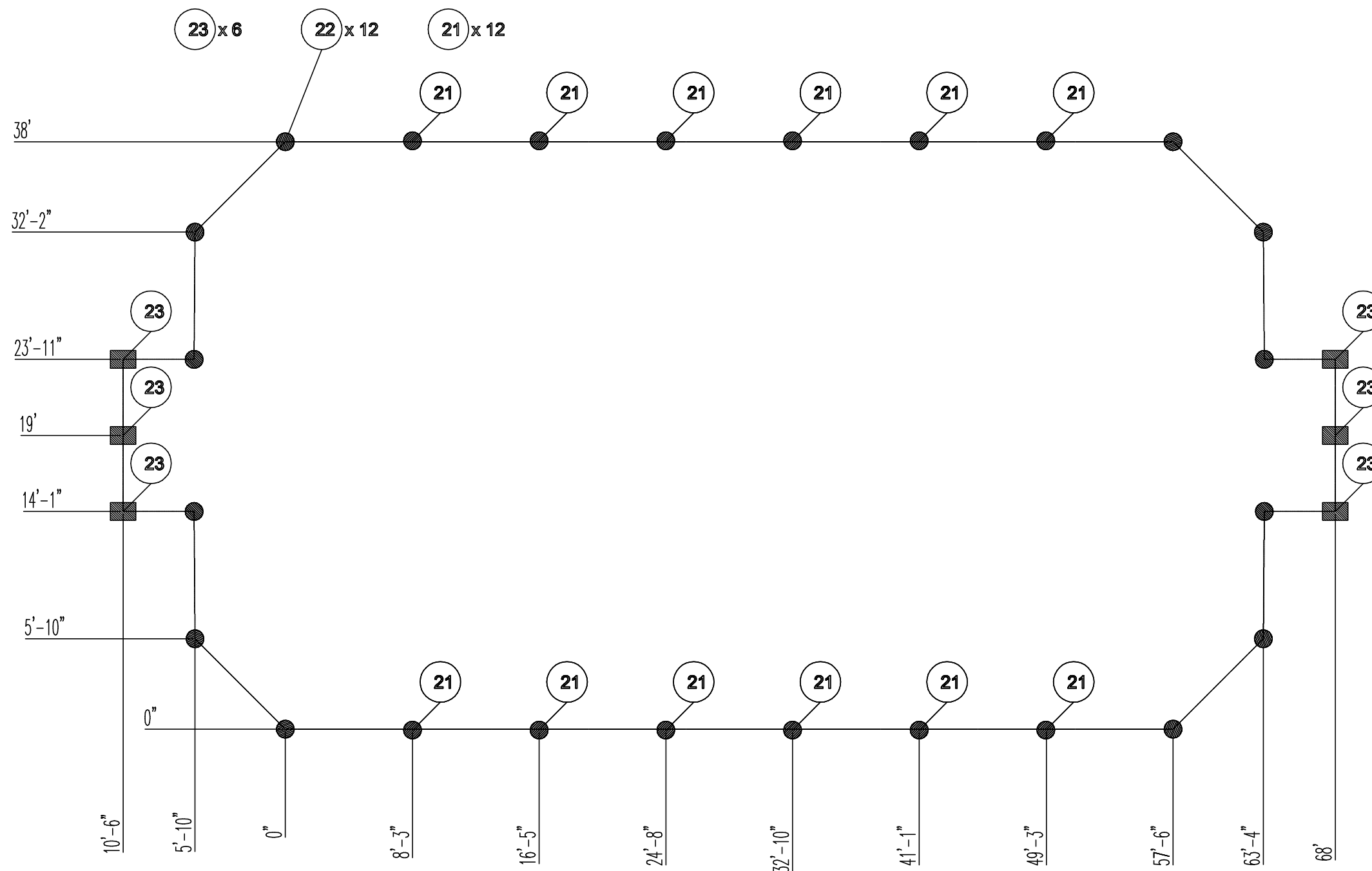


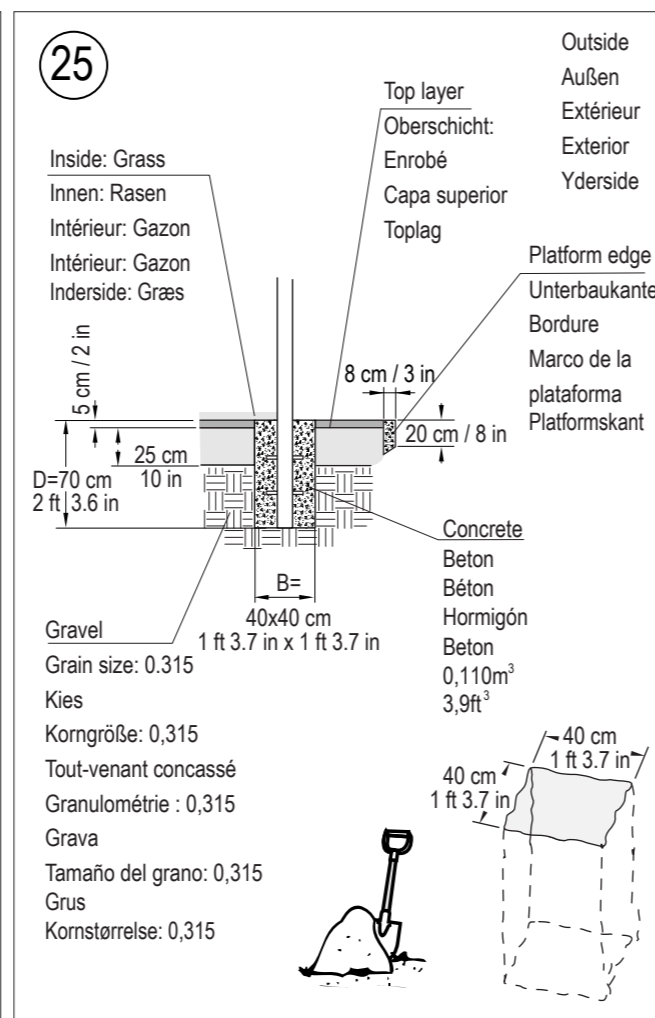
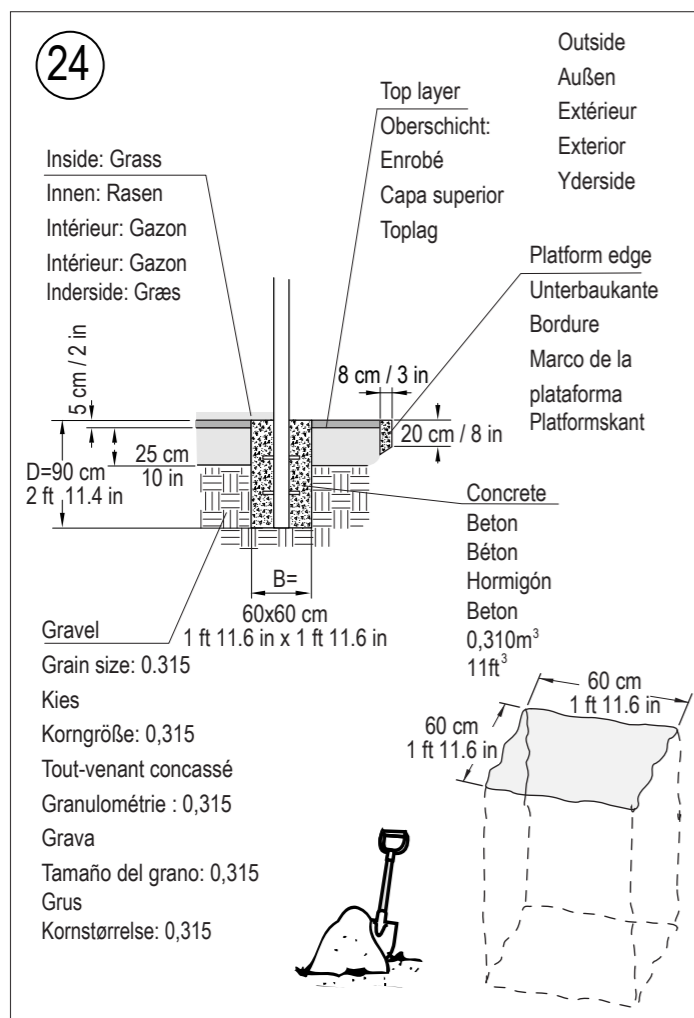
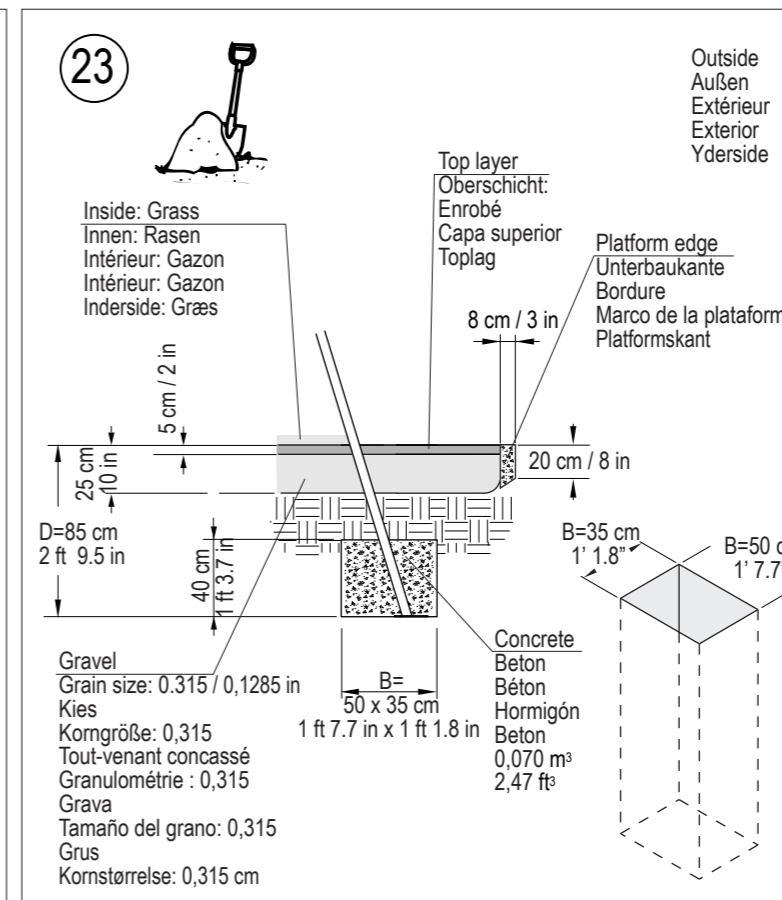
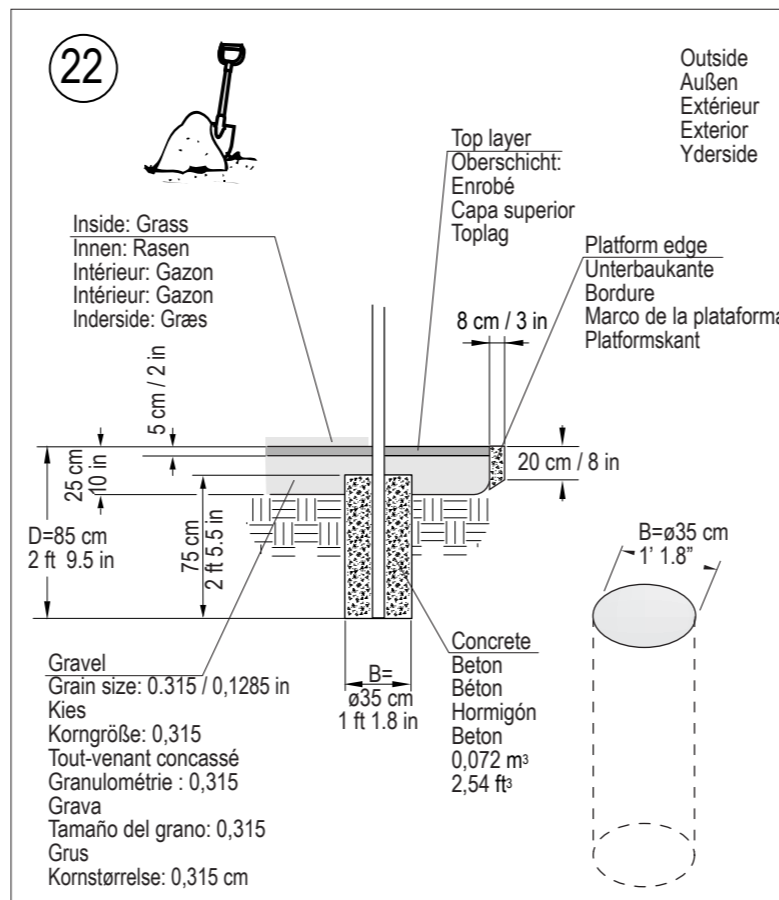
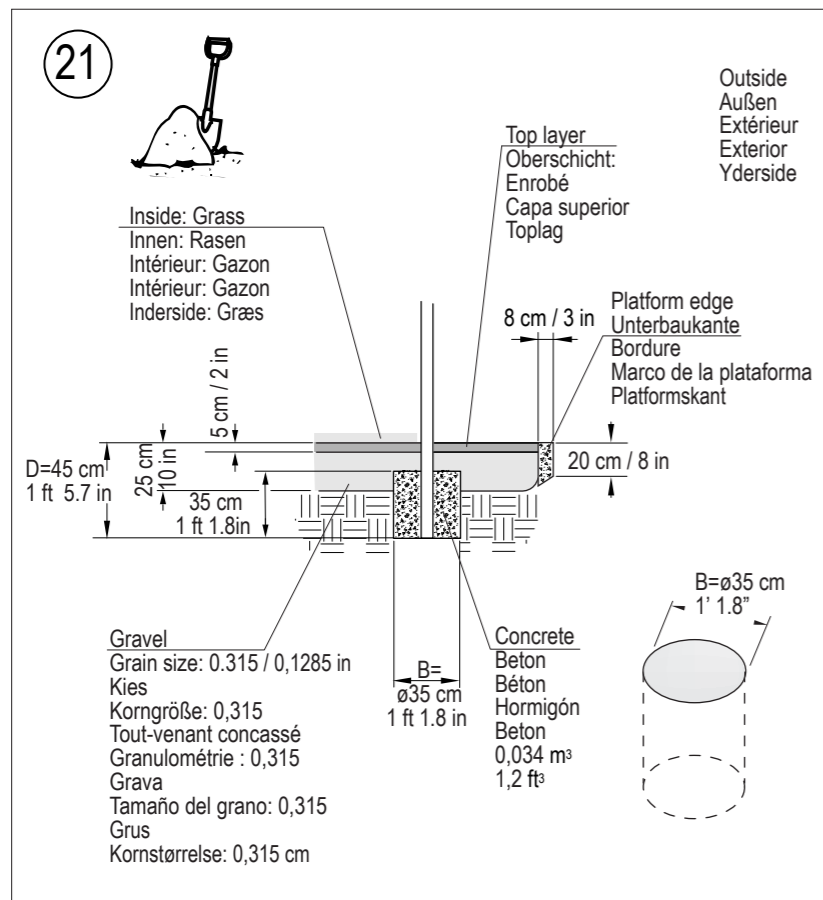
KOMPAN! FRE6001

AneHab
2018-10-05
1:1/8"

Beton
Betón
Concrete
Hormigón
Cemento
Betong

59.70 cbf





Important! The concrete must be sufficiently hardened before the play item may be used.

Wichtig! Vor der Inbetriebnahme des Spielerräts muß der Beton ausreichend abgebunden haben.

Important! Le béton doit avoir suffisamment durci avant de mettre en service l'équipement de jeu.

Importante! El hormigón debe estar suficientemente endurecido antes de comenzar a utilizar el equipo de juego.

Importante! Prima de utilizzare le attrezzature da gioco, il cemento deve essere sufficientemente solidificato.






Belangrijk! Het beton moet voldoende gehard zijn voordat het speeltoestel in gebruik wordt genomen.

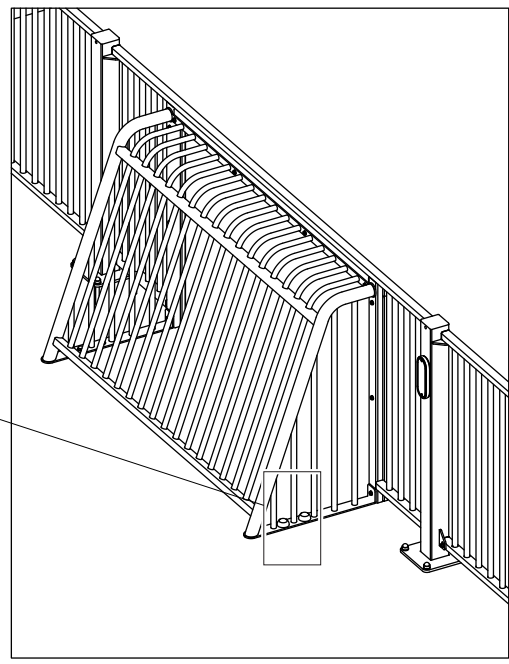
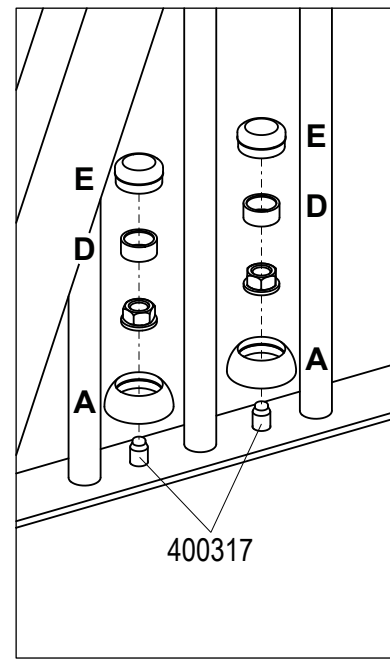
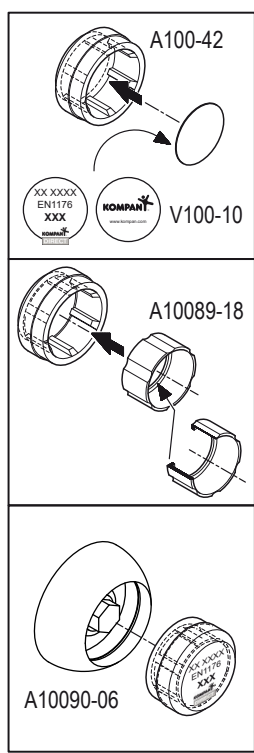
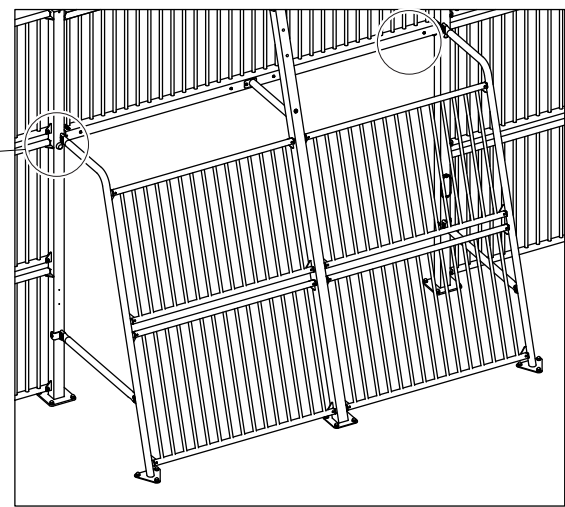
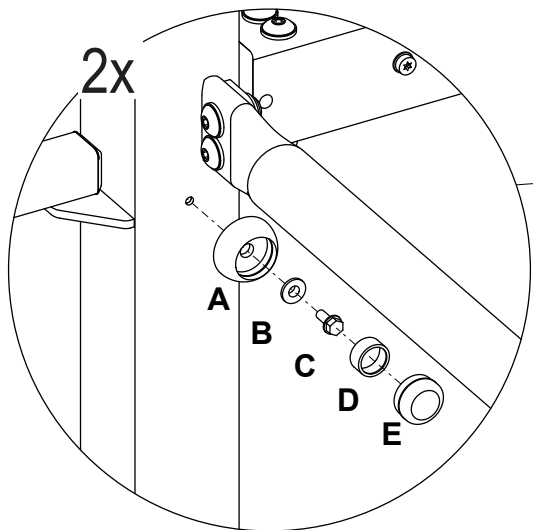
Viktigt! Betongen måste ha härdat tillräckligt innan lekredskapet börjar användas.

Viktigt! Betonen skal være tilstrækkeligt hærdet, før legeredskabet tages i brug.

Важно! Перед использованием сооружений убедитесь, что бетон затвердел.

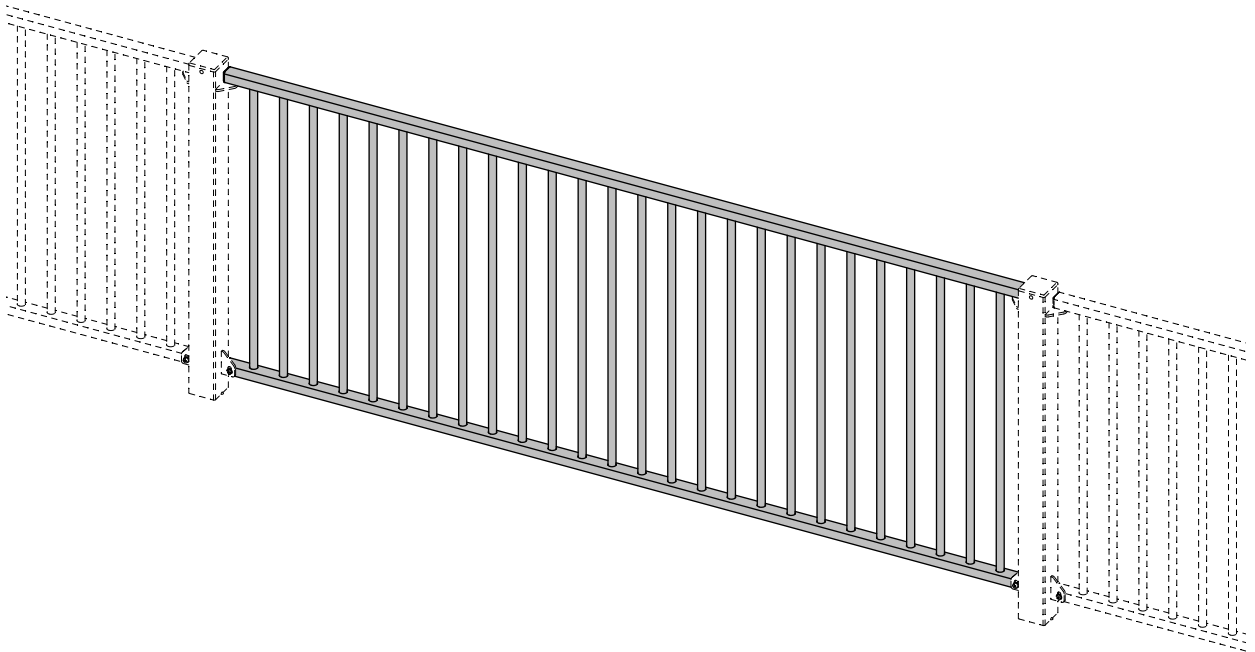
HUOM! Betonivalun on oltava tarpeeksi kuiva, ennen kuin leikkivälinettä saa käyttää.

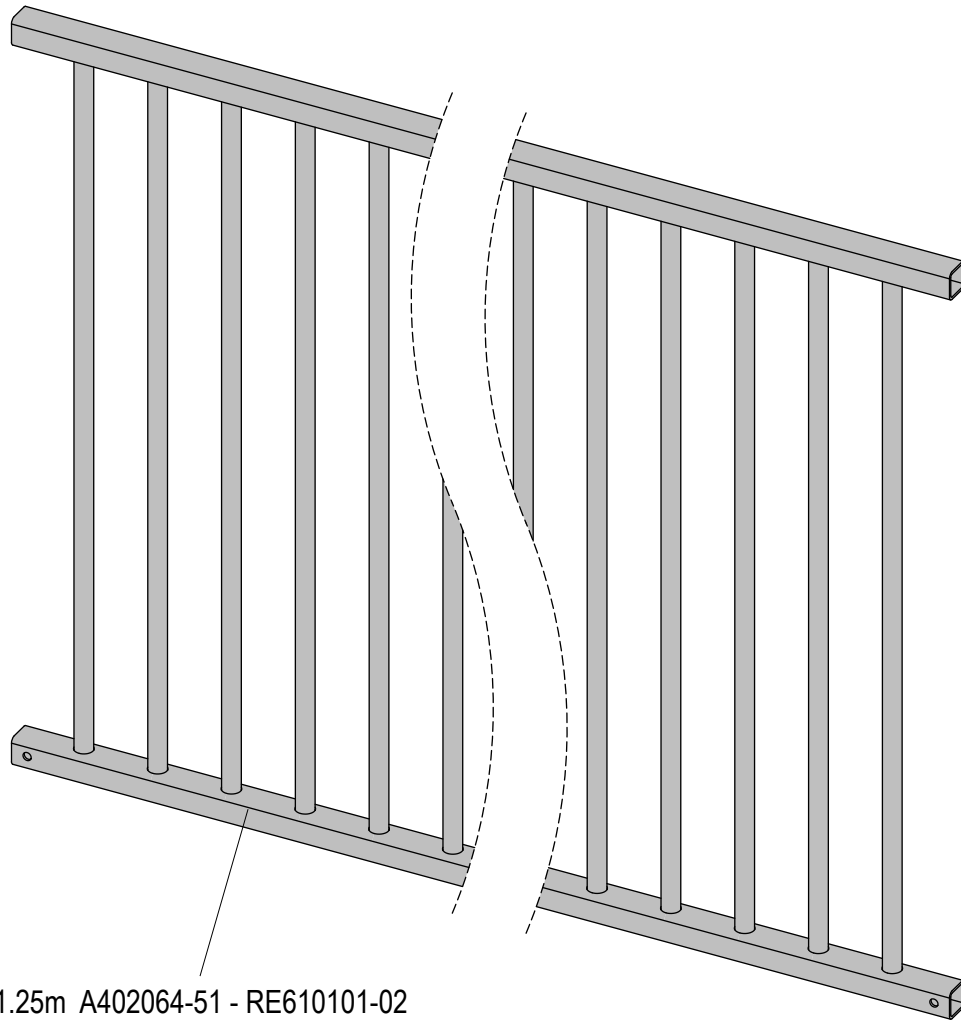
- A**

 A10090-06
- B**

 A400278
- C**

 832602306019
- D**

 A10089-18
- E**

 A100-42



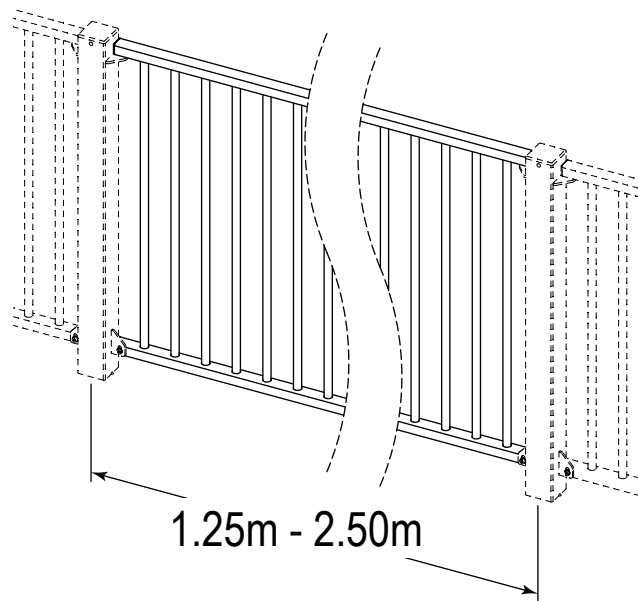
KOMPAN!

RE610101-02 RE610101-03 RE610101-13
RE610102-02 RE610102-03 RE610102-13
RE610103-02 RE610103-03 RE610103-13





- 1.25m A402064-51 - RE610101-02
- 1.25m A402064-136 - RE610101-03
- 1.25m A402064-359 - RE610101-13
- 1.77m A402062-51 - RE610102-02
- 1.77m A402062-136 - RE610102-03
- 1.77m A402062-359 - RE610102-13
- 2.50m A402061-51 - RE610103-02
- 2.50m A402061-136 - RE610103-03
- 2.50m A402061-359 - RE610103-13



1.25m - 2.50m

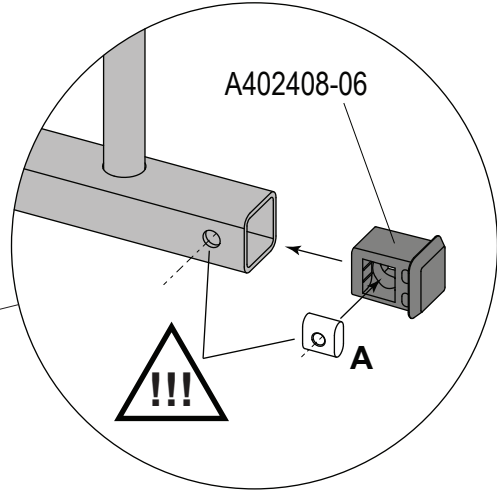
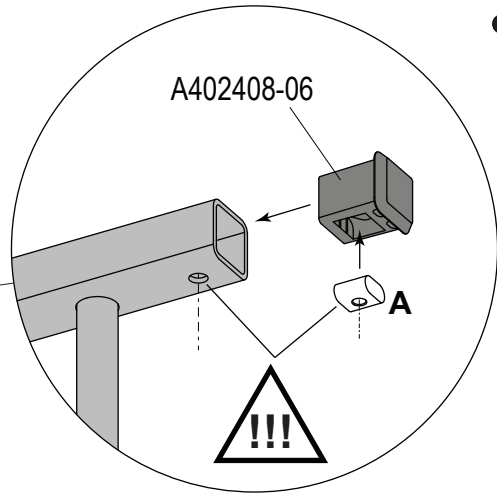
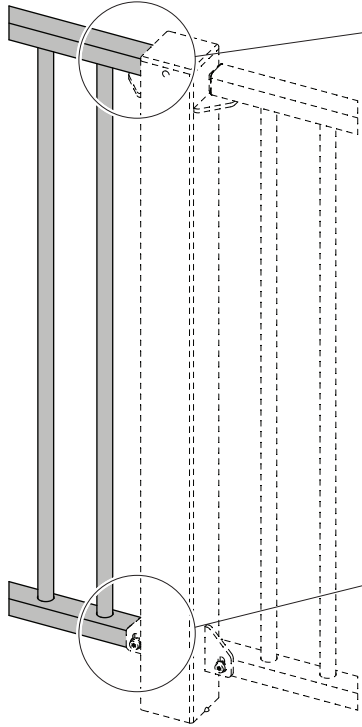


A

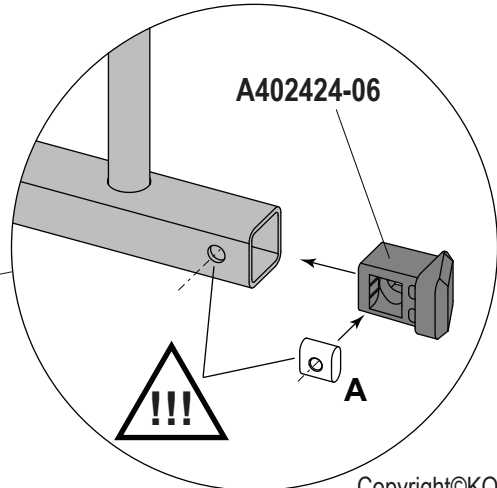
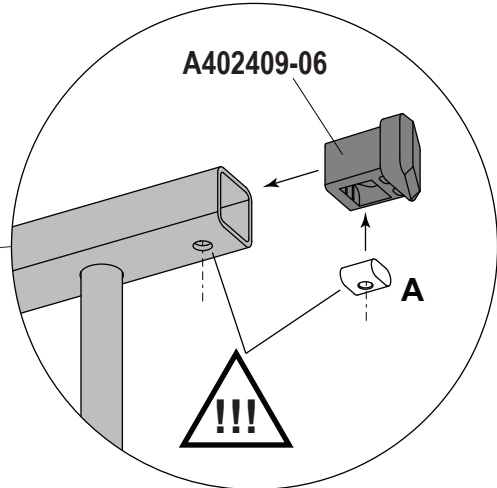
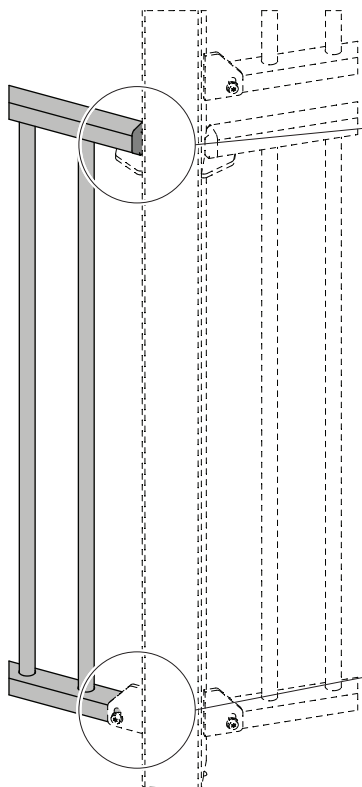


A400334-128

90°/180°



45°





A

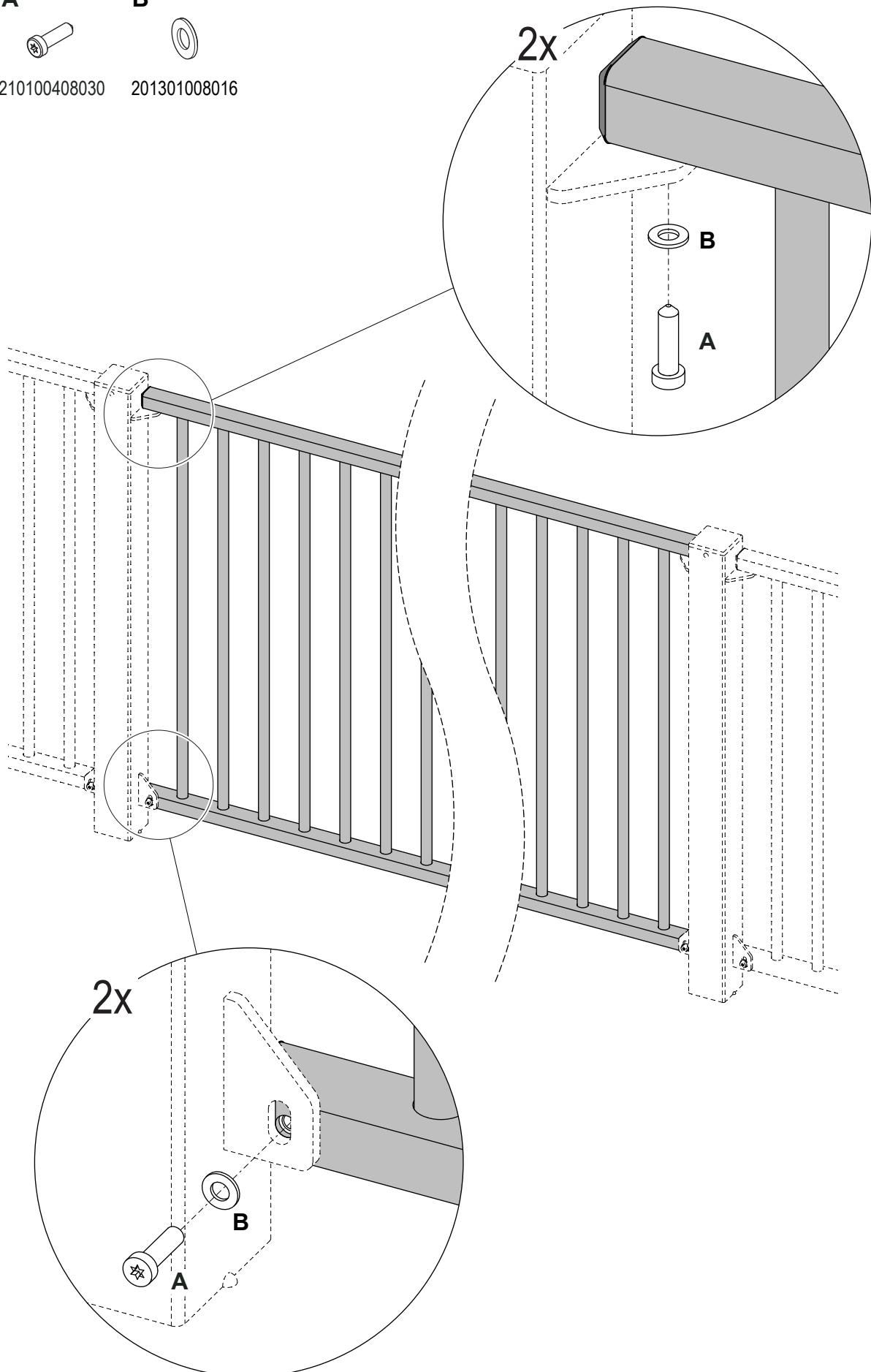


210100408030

B



201301008016



2x

2x

KOMPAN®

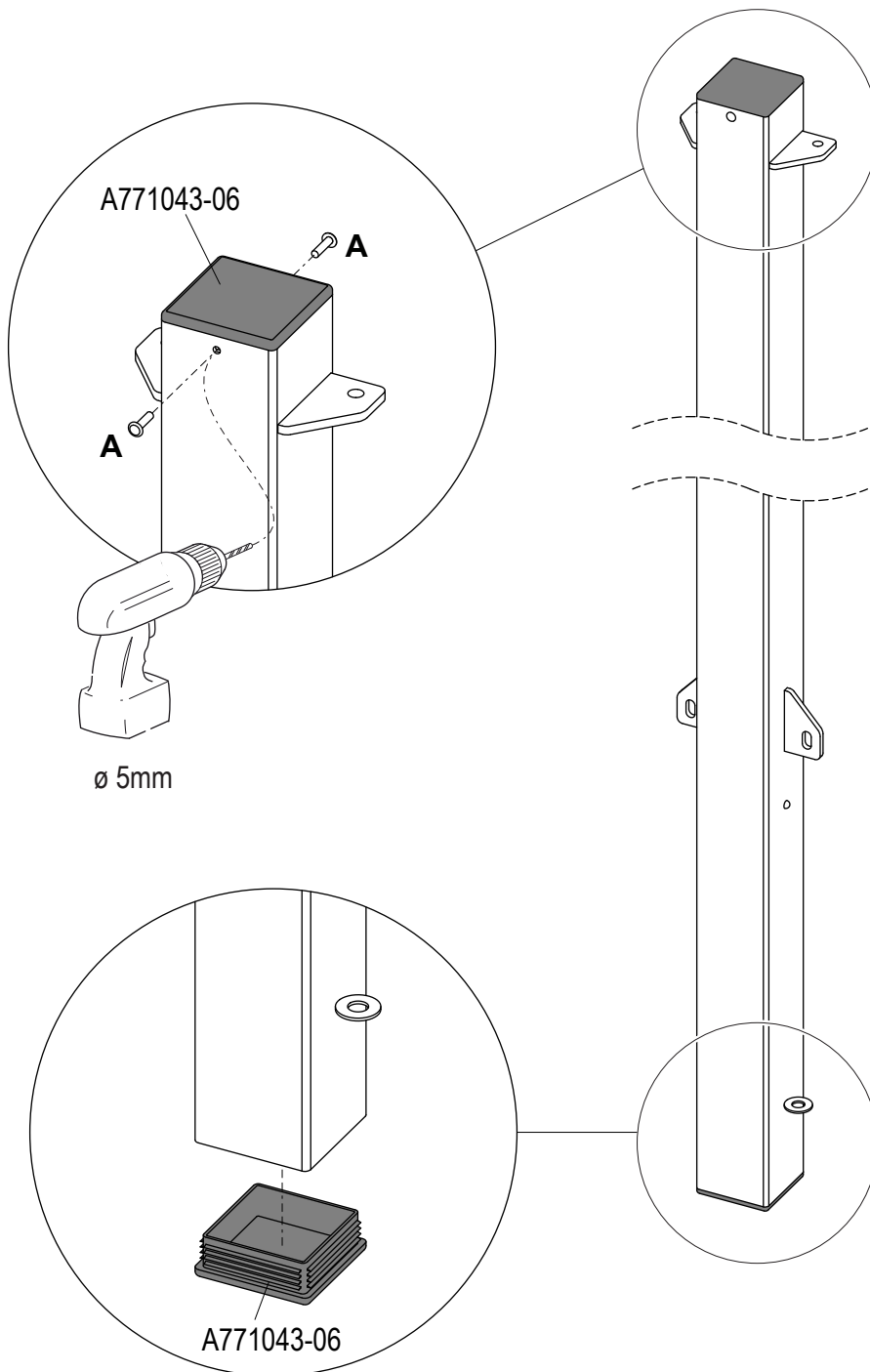
RE607100-01

RE609100-01

A



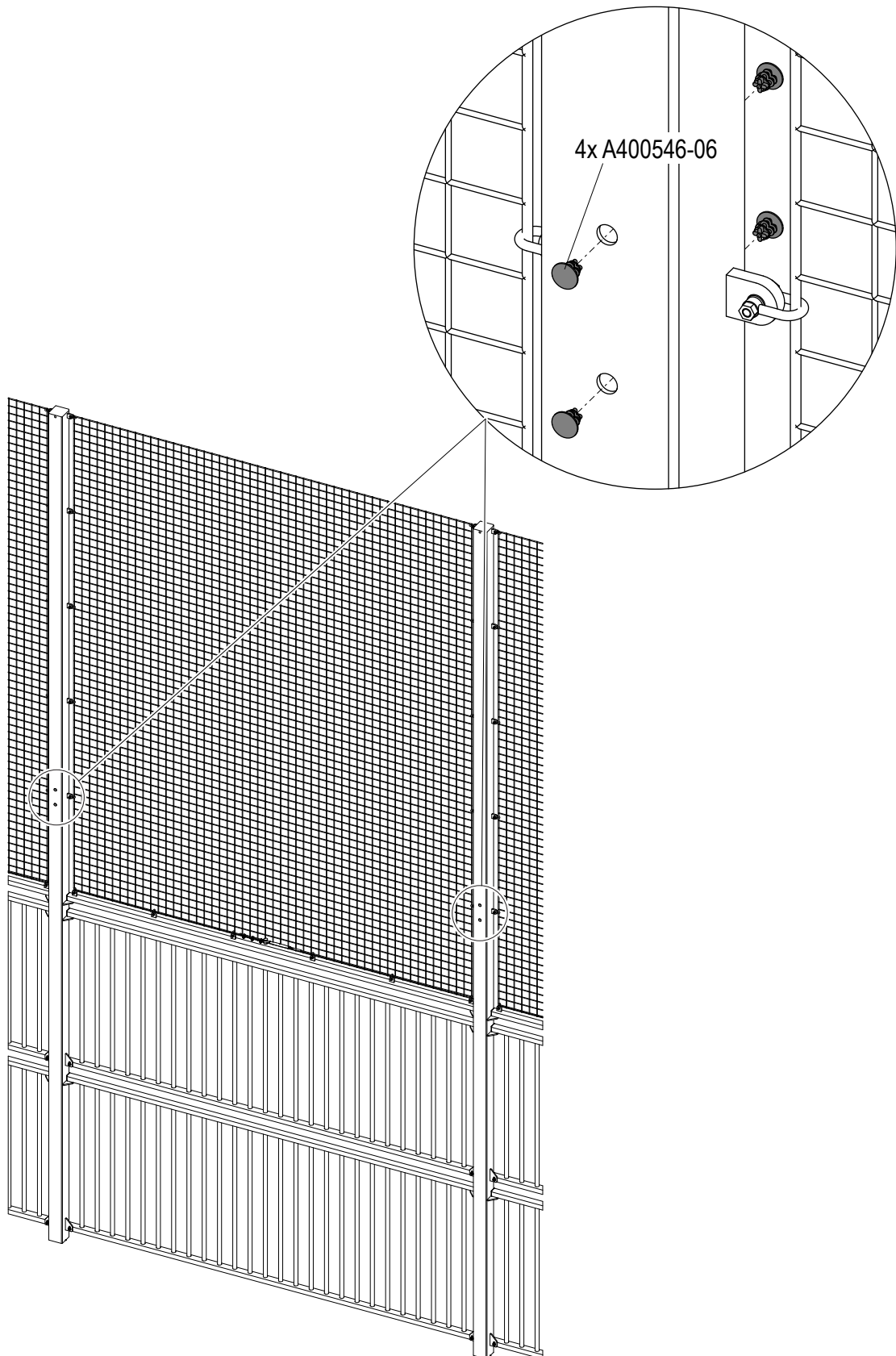
902201904824



VRE6071XX 20182301 PetrJu

KOMPAN!

RE000400-01



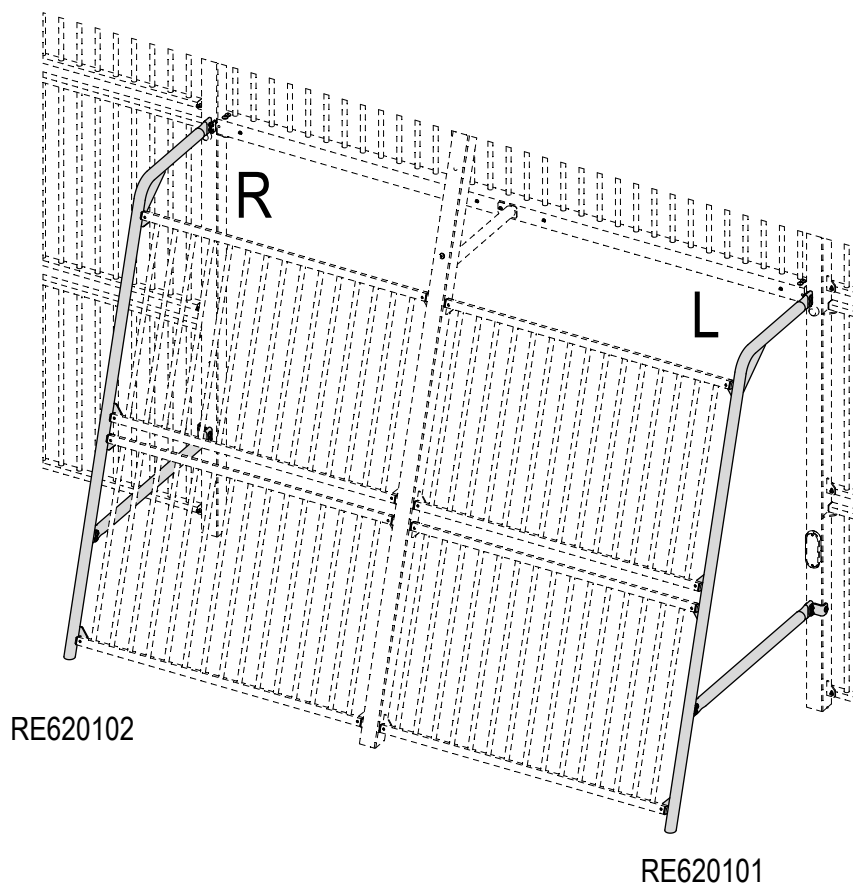
KOMPAN!

RE620101-0002

RE620101-0902

RE620102-0002


RE620102-0902



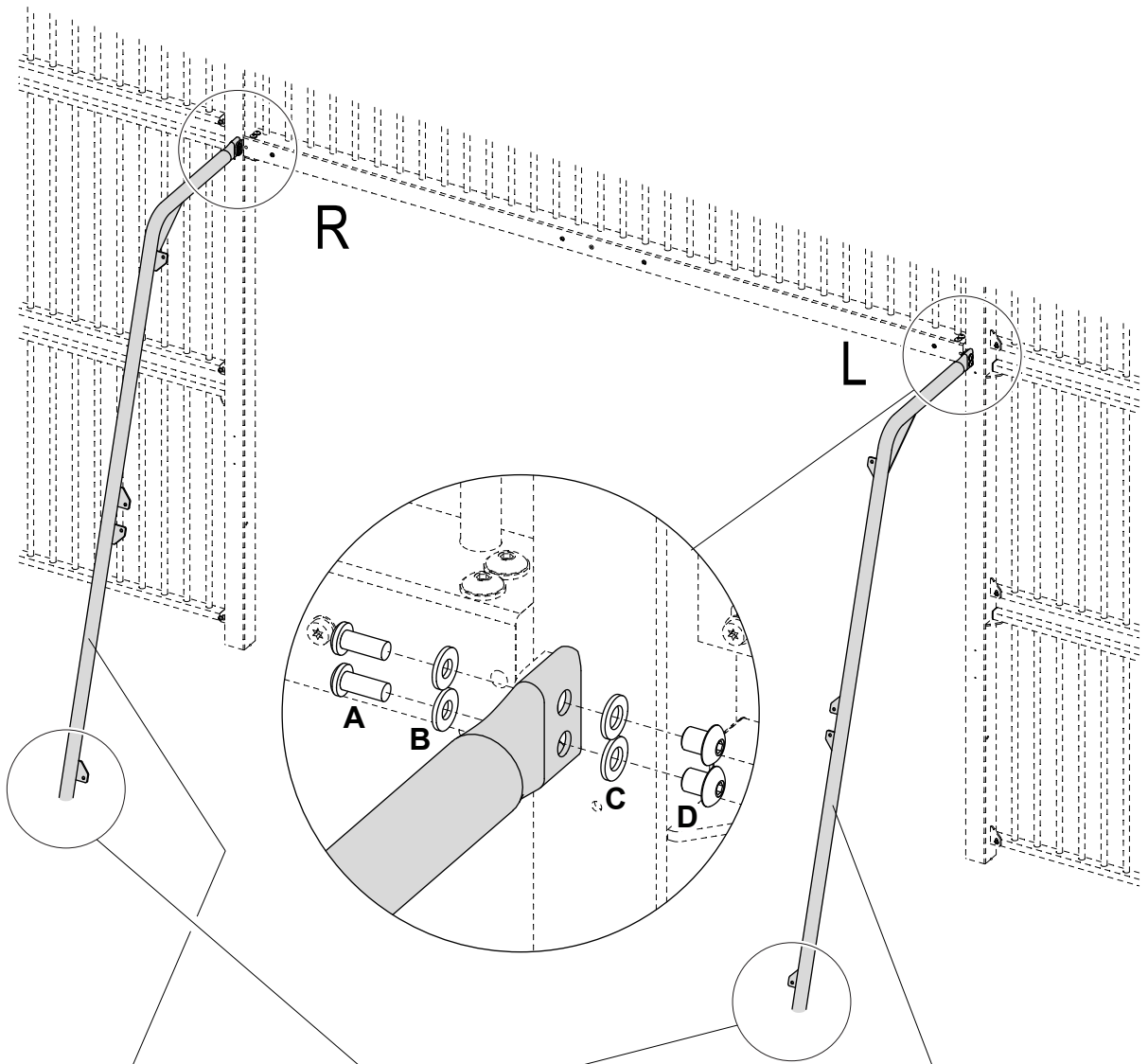


- A**

601025
- B**

701023
- C**

701424
- D**

A280082-52

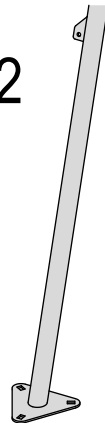
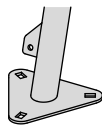


A402347-51 - RE620102-0002
A402134-51 - RE620102-0902

A402346-51 - RE620101-0002
A402133-51 - RE620101-0902

-0002

-0902





A



601025

B



701023

C



701424

D

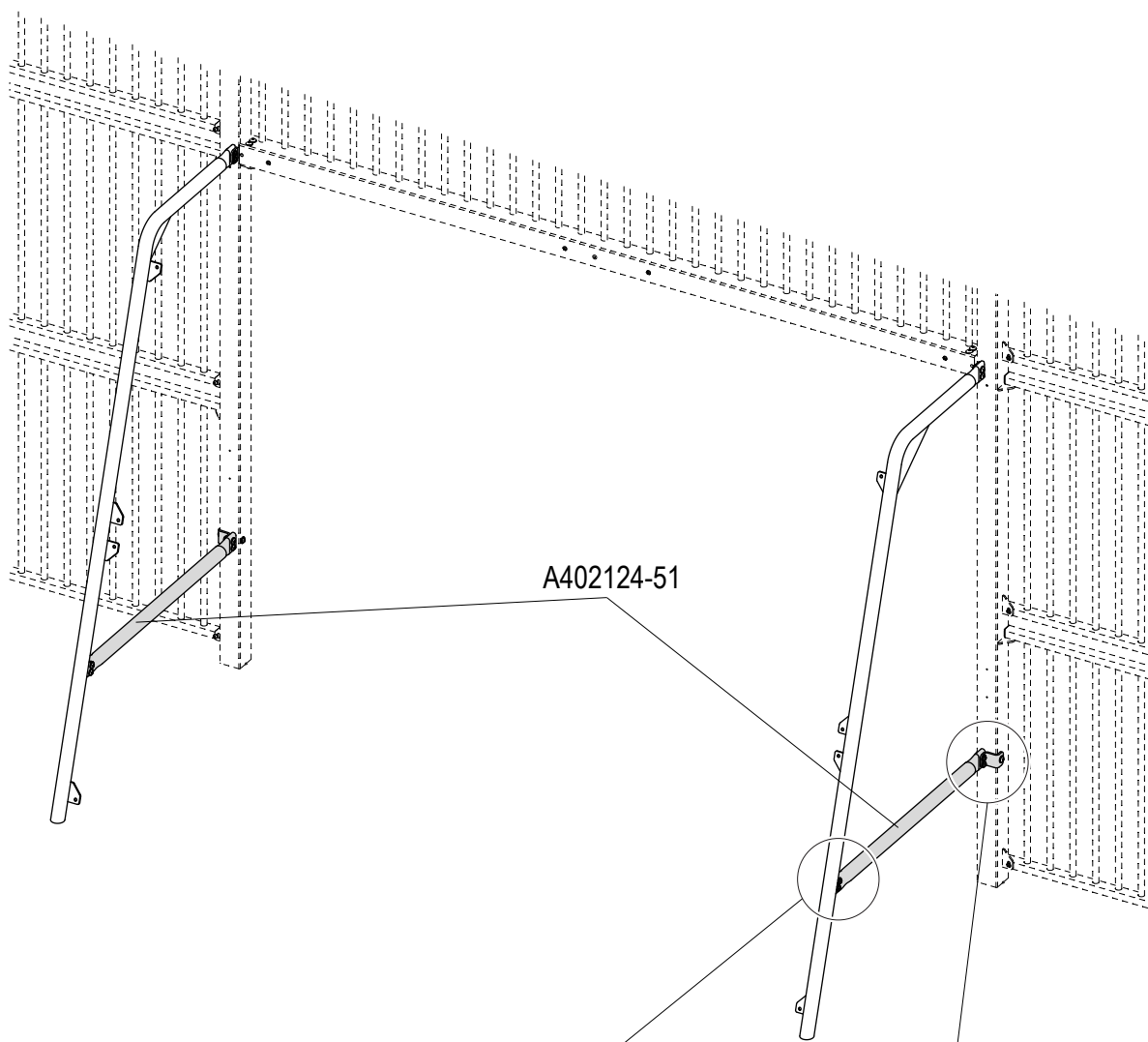


A280082-52

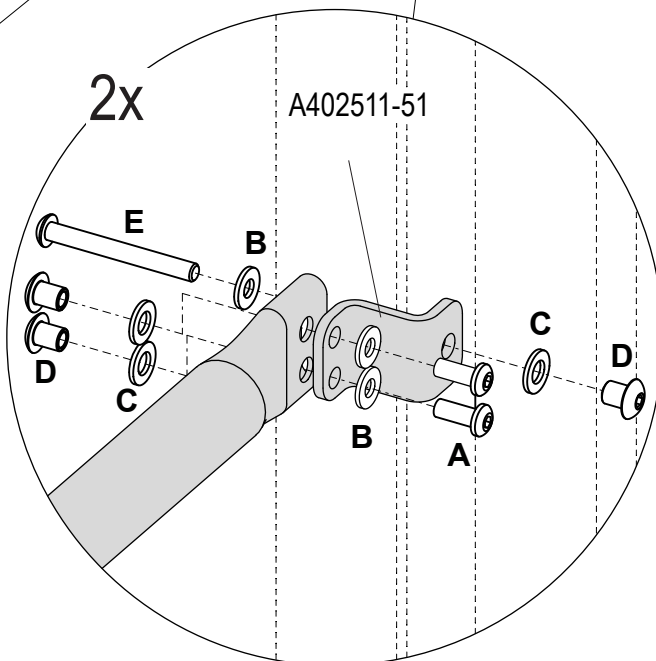
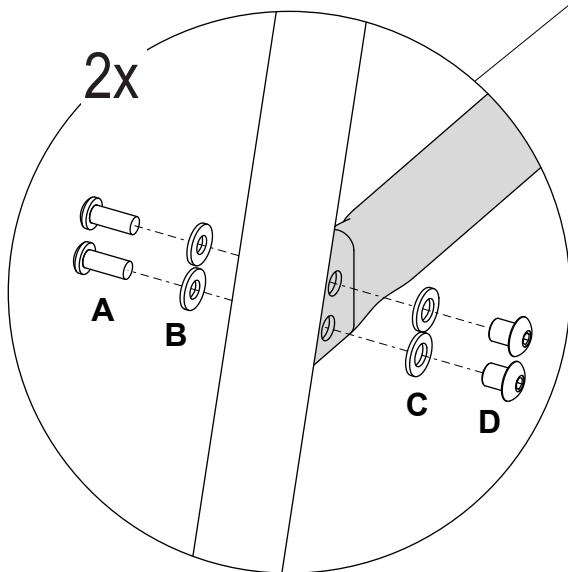
E



200304310090

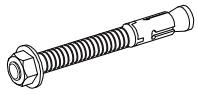


A402124-51





A



400317

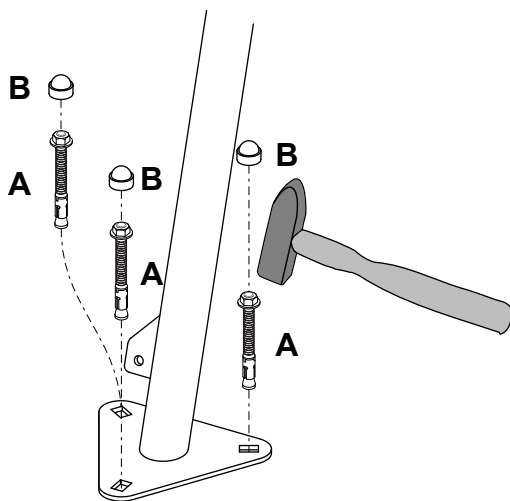
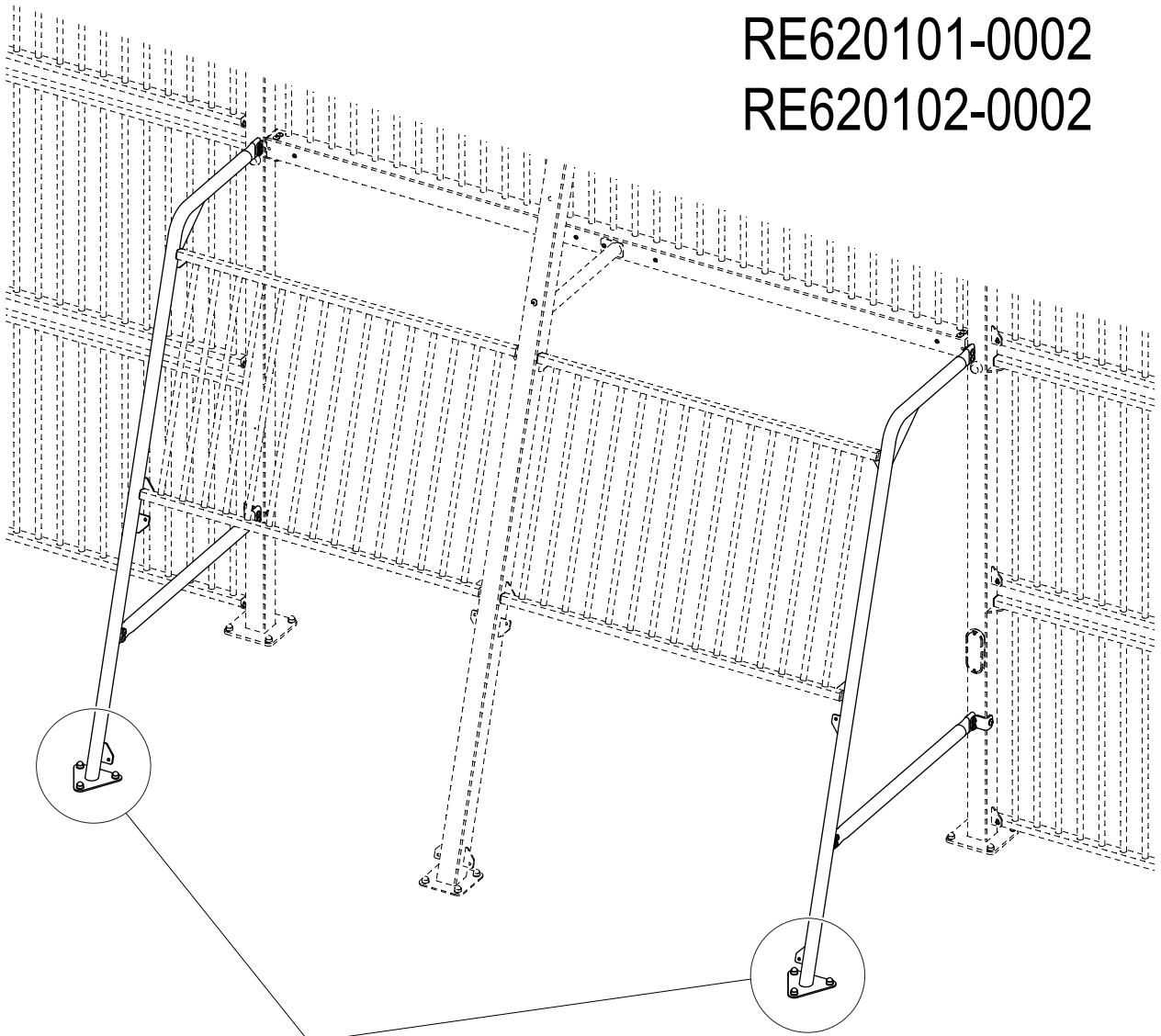
B



OKU-ADM1205

RE620101-0002

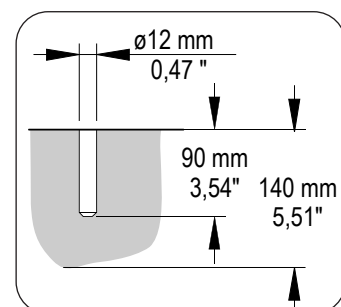
RE620102-0002



M12x100
400317



400317 - 12 mm:



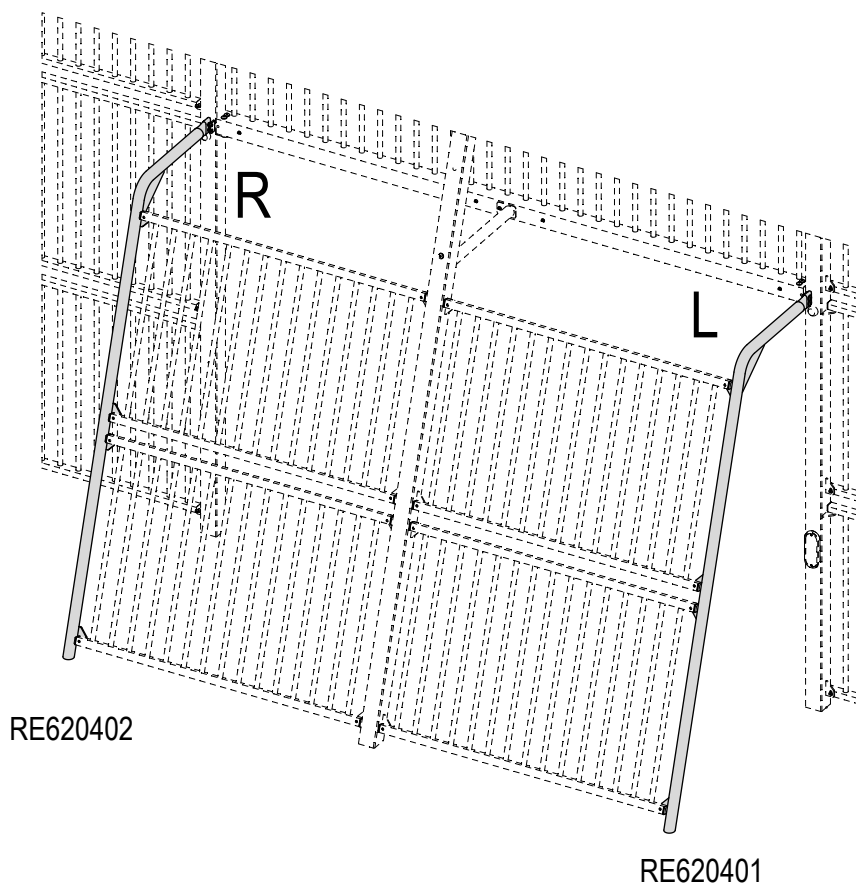
KOMPAN!

RE620401-0002

RE620401-0902

RE620402-0002

RE620402-0902





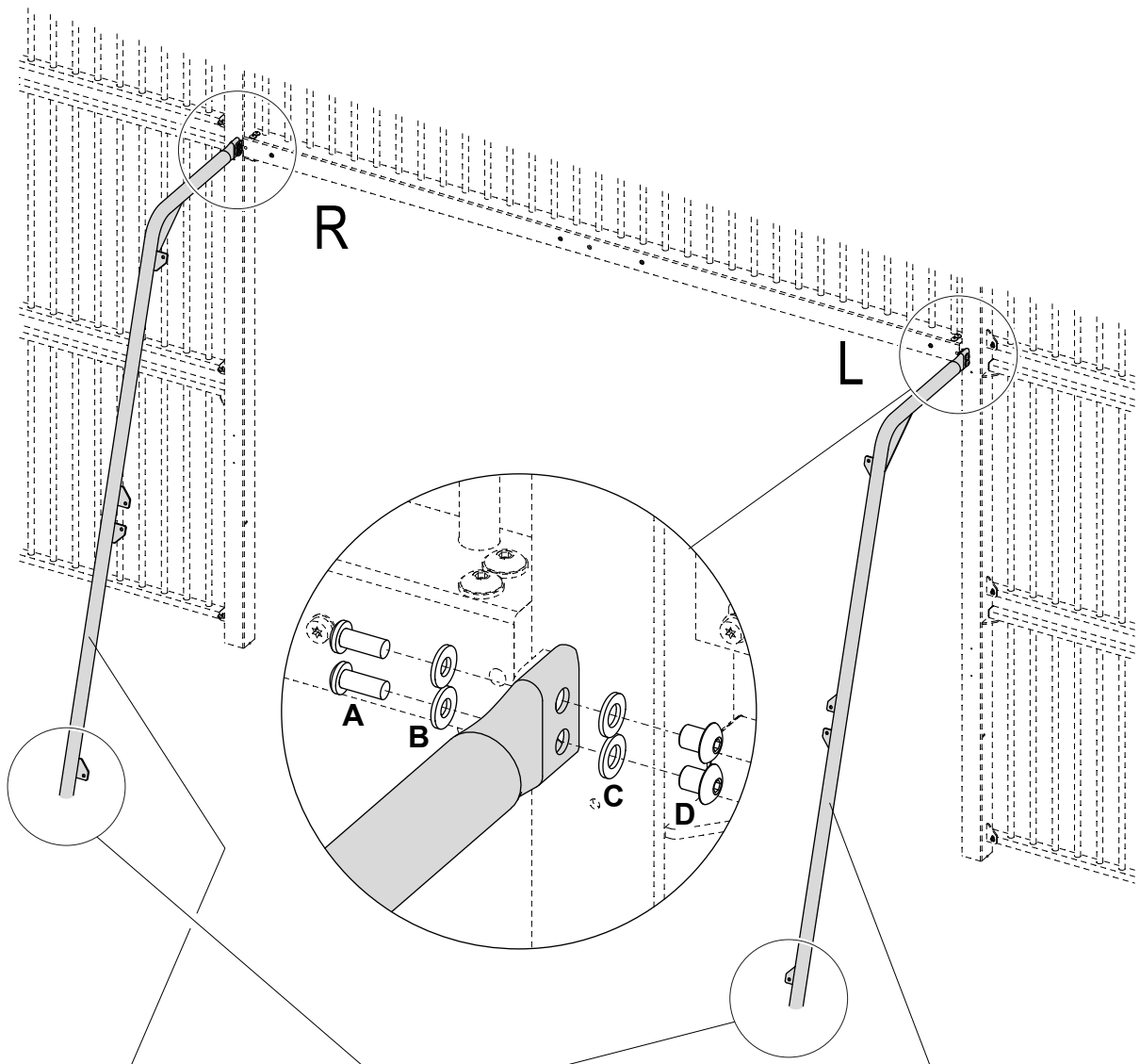
- A**

601025
- B**

701023
- C**

701424
- D**

A280082-52

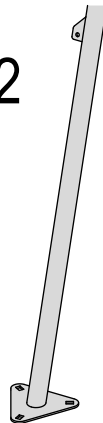
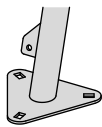


A402708-51 - RE620402-0002
A402706-51 - RE620402-0902

A402707-51 - RE620401-0002
A402705-51 - RE620401-0902

-0002

-0902

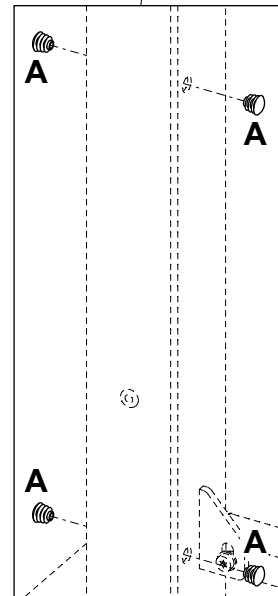
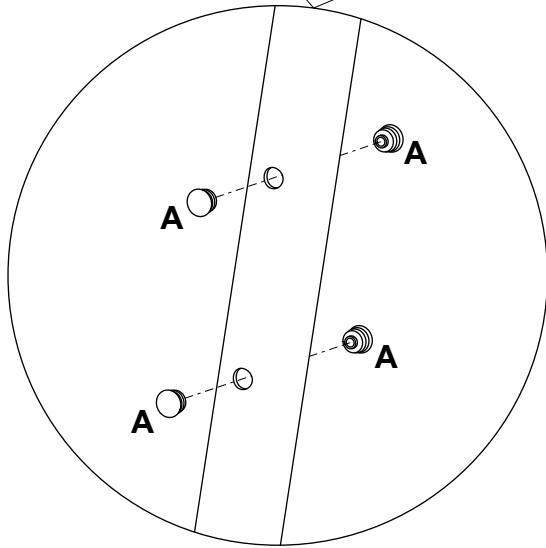
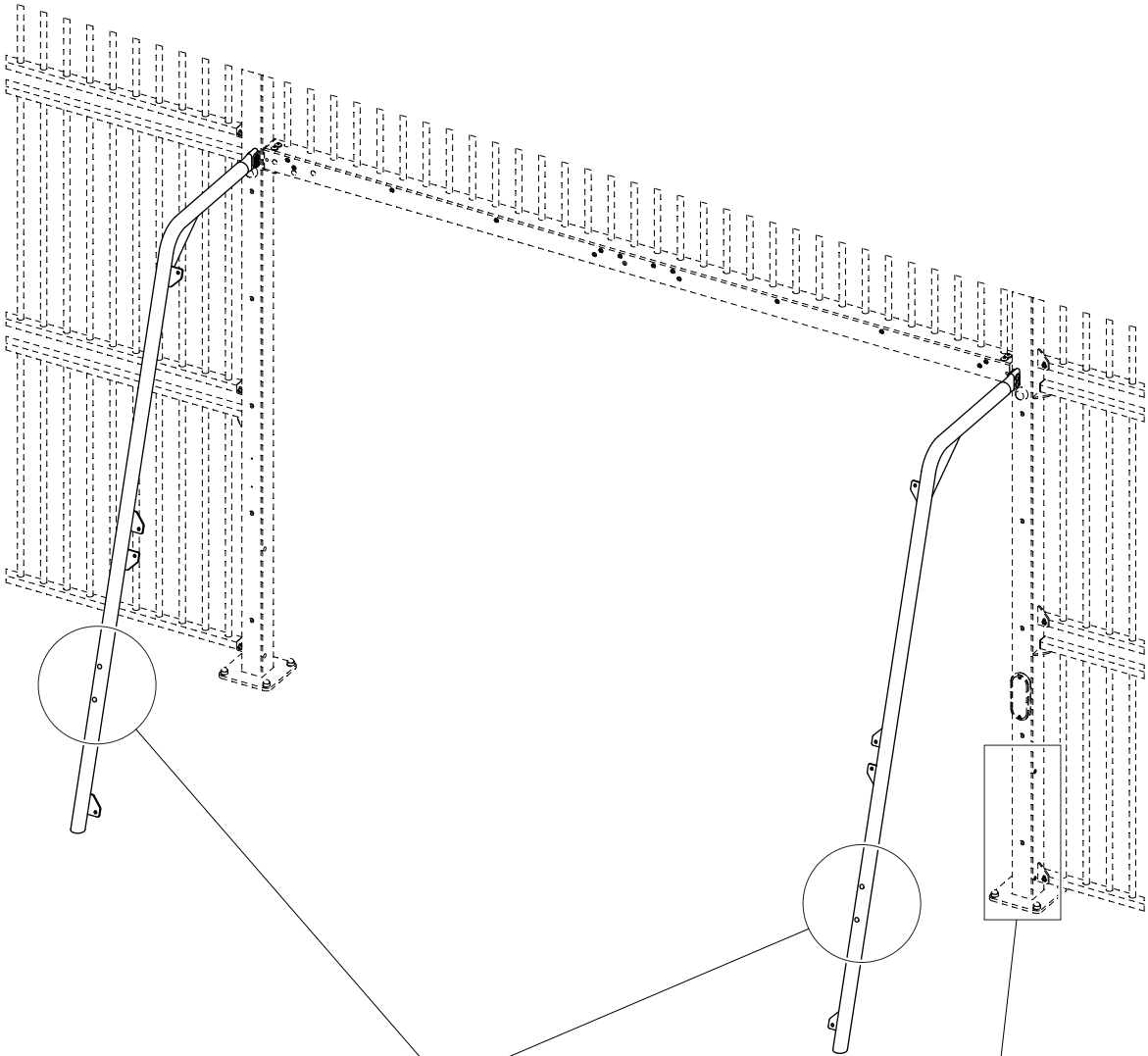




A



A400546-06



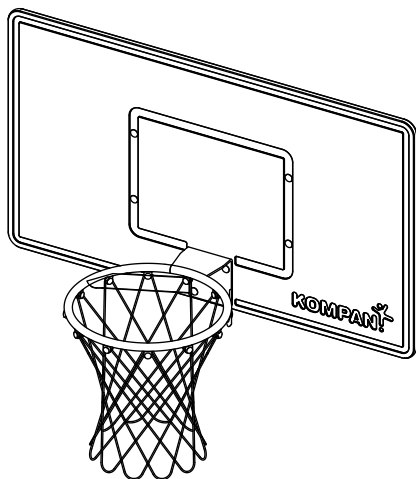
KOMPAN!

RE650101-00

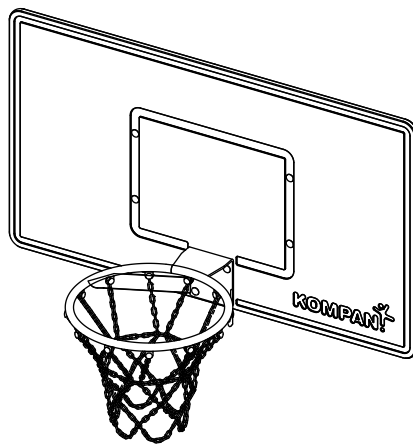
RE650102-00

RE650103-00

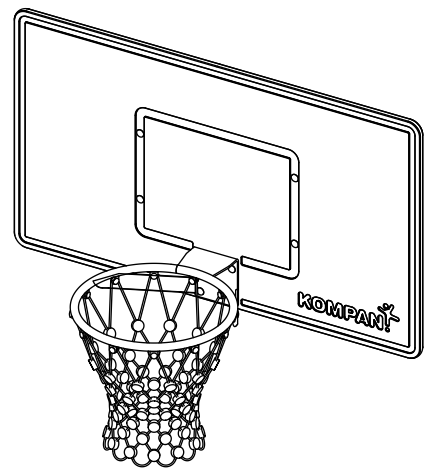
RE650101



RE650102



RE650103





A



110045-A2

B



A10086-06

C

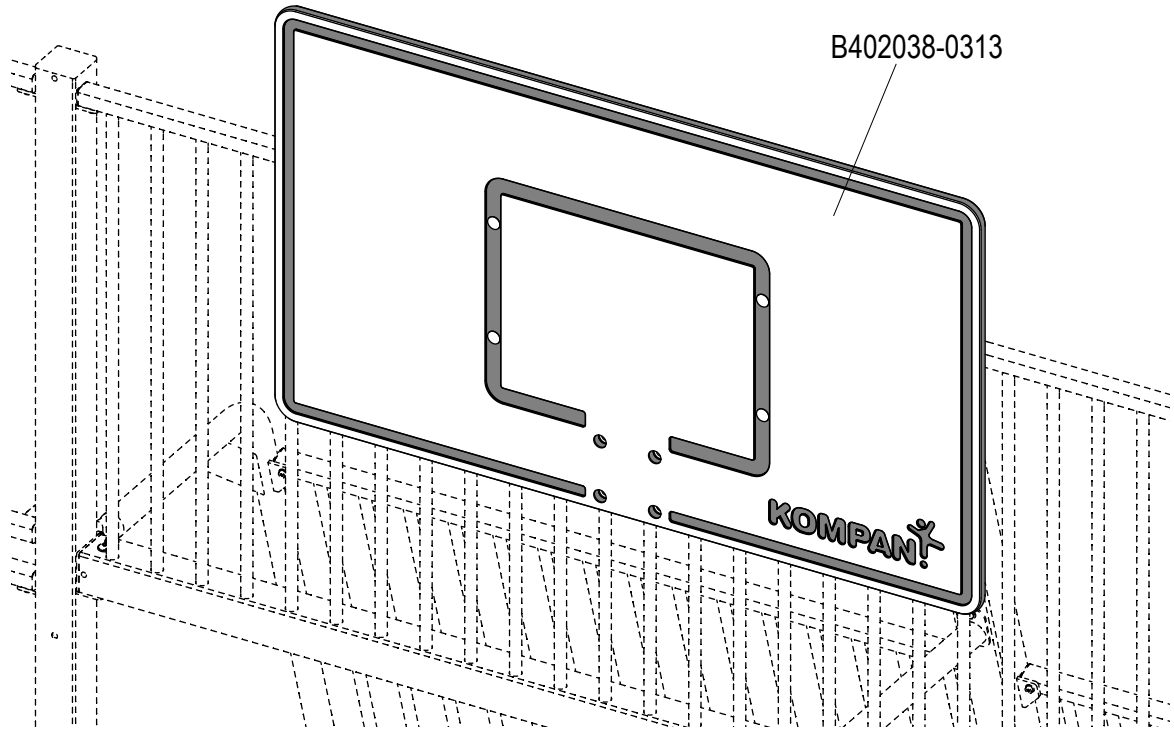


400110

D

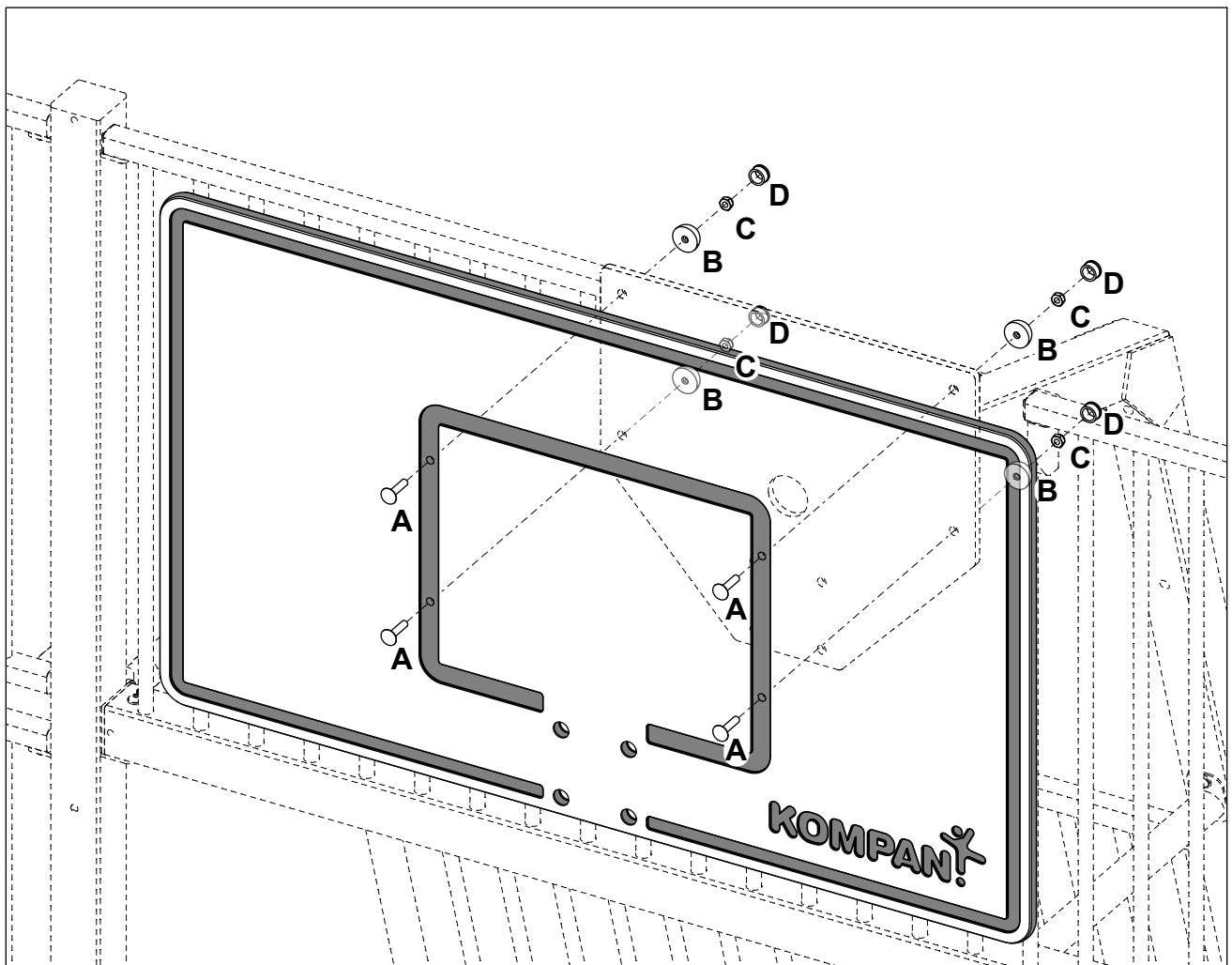


A10085-06



B402038-0313

KOMPAN



A

A

D

C

B

B

C

D

A

A

D

C

B

D

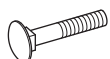
C

B

KOMPAN



A



110055-A2

B



A10086-06

C



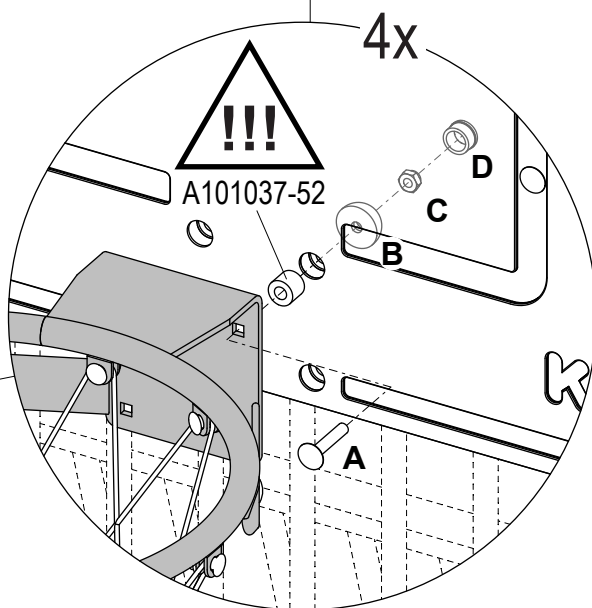
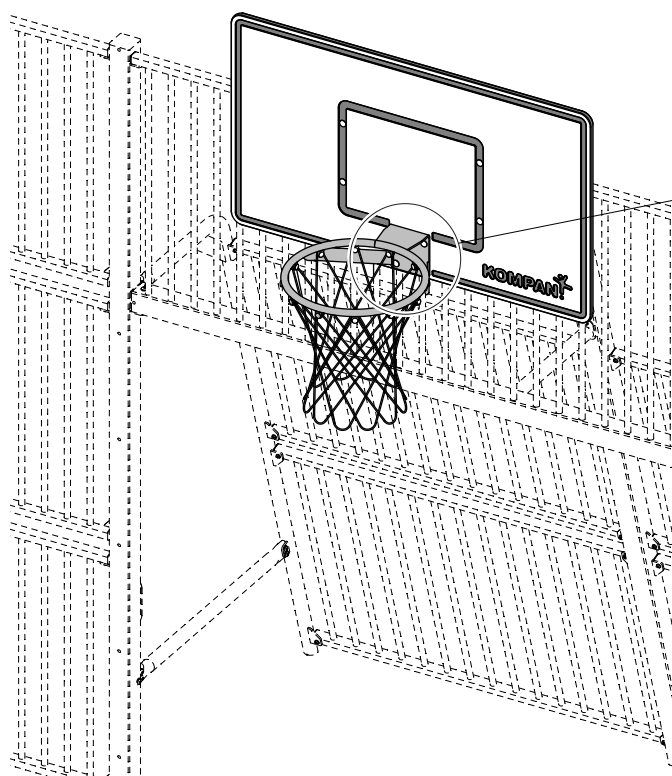
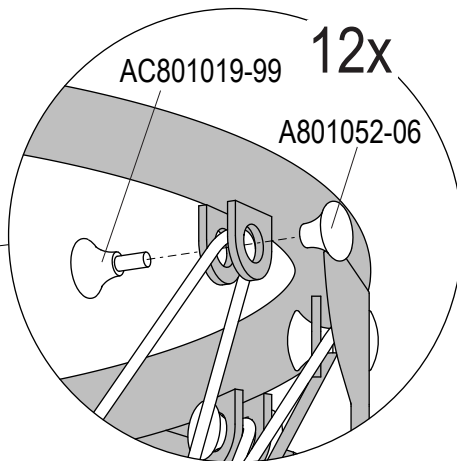
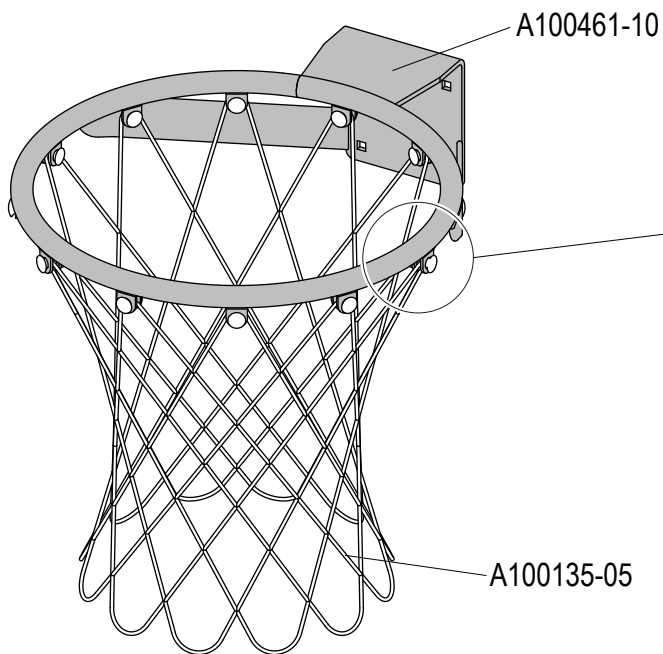
400110

D



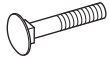
A10085-06

RE650101





A



110055-A2

B



A10086-06

C



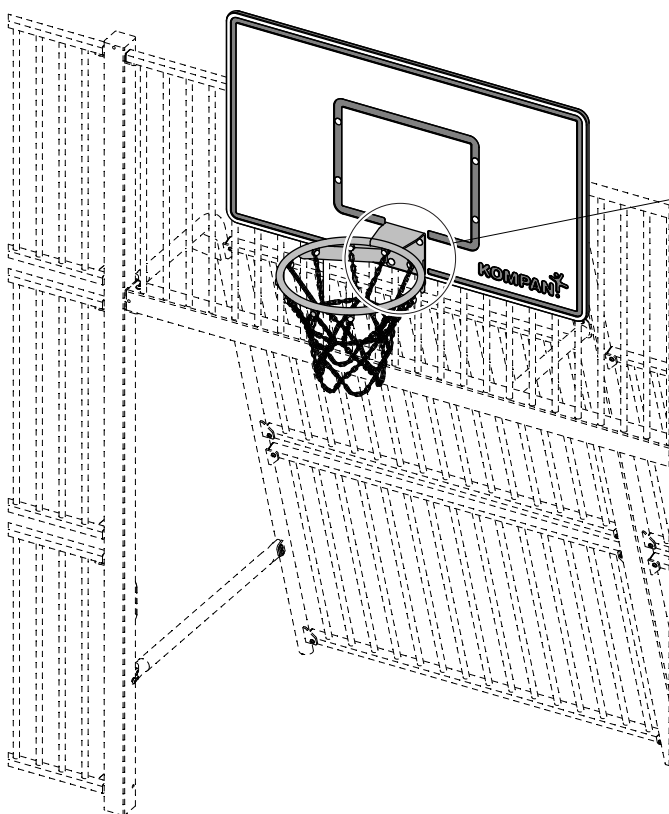
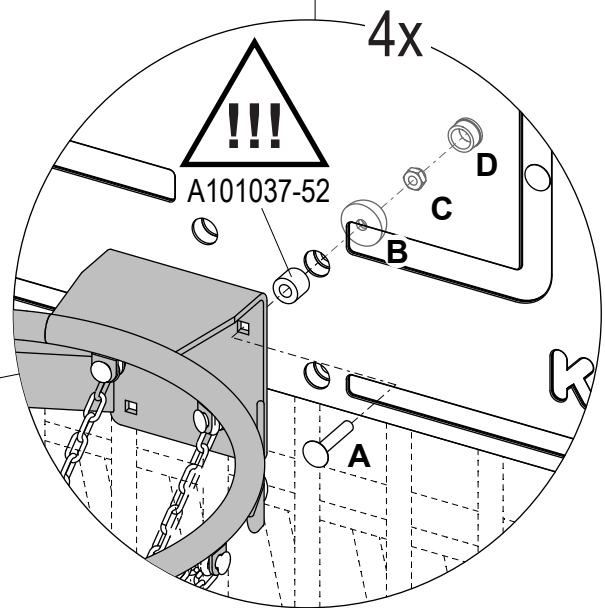
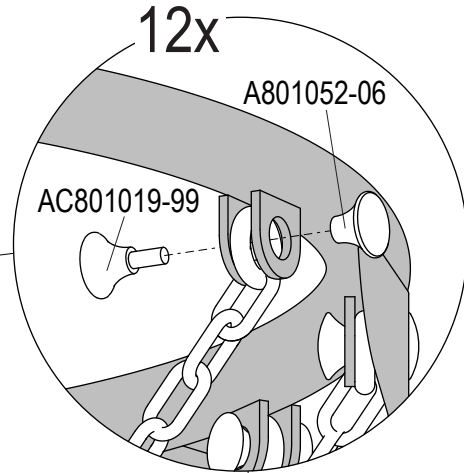
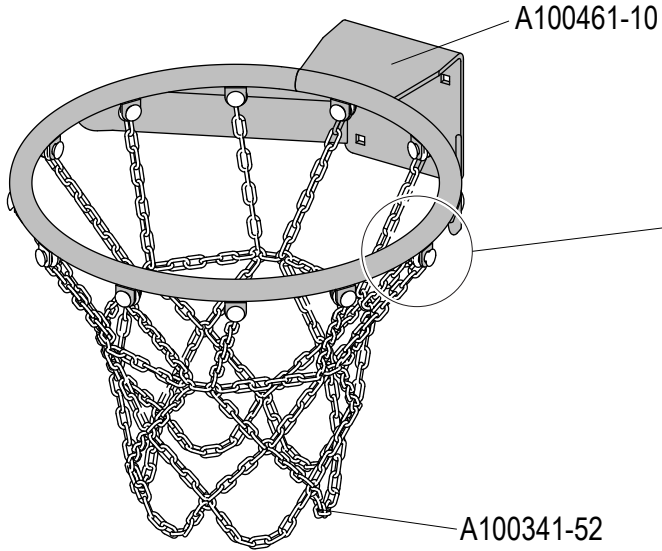
400110

D



A10085-06

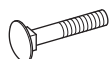
RE650102



VRE6501XX 20180215 PetrJu



A



110055-A2

B



A10086-06

C



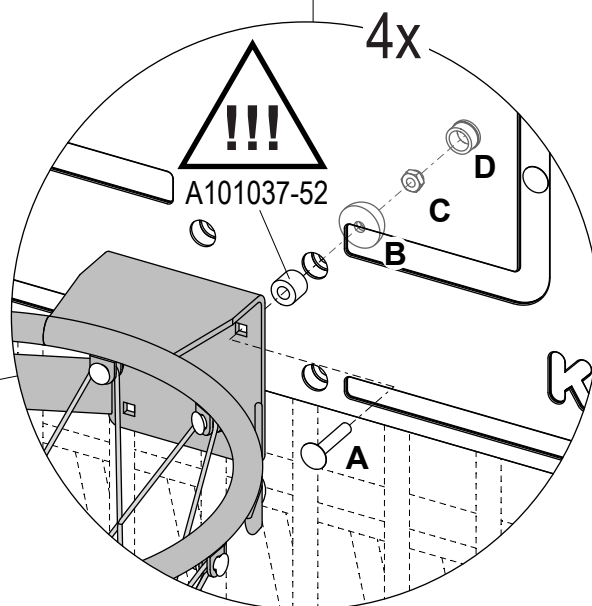
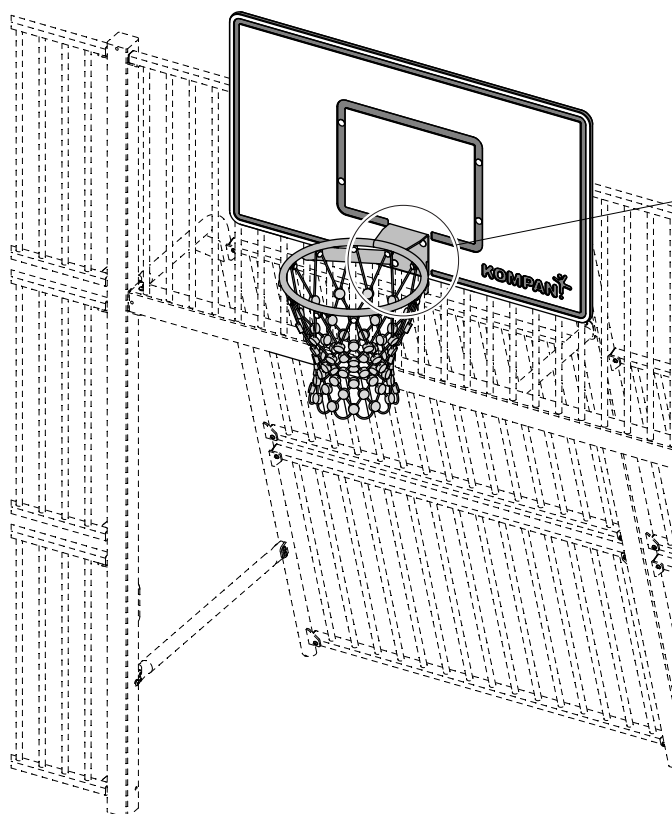
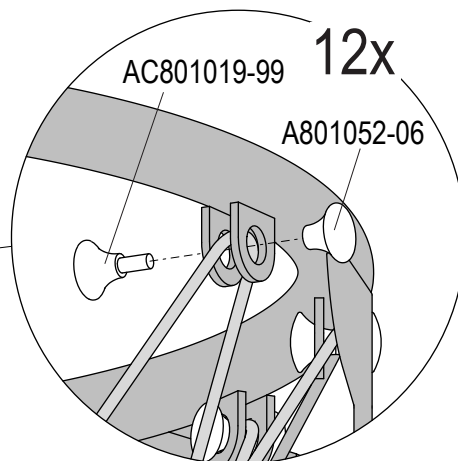
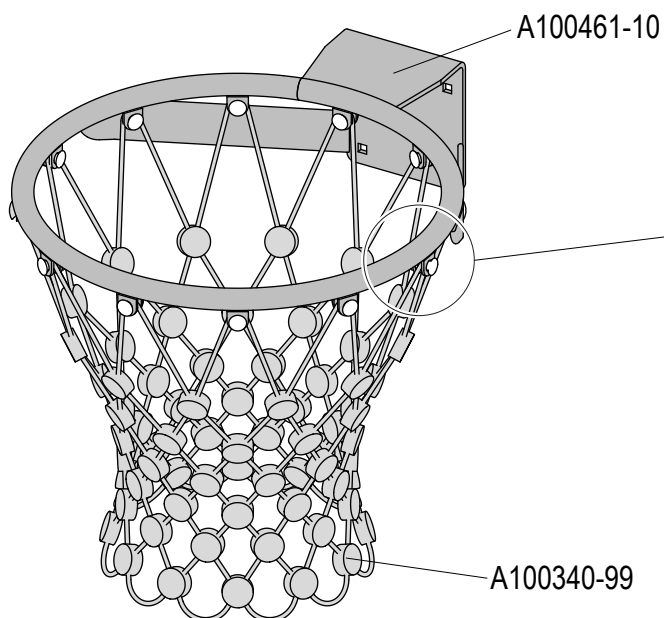
400110

D



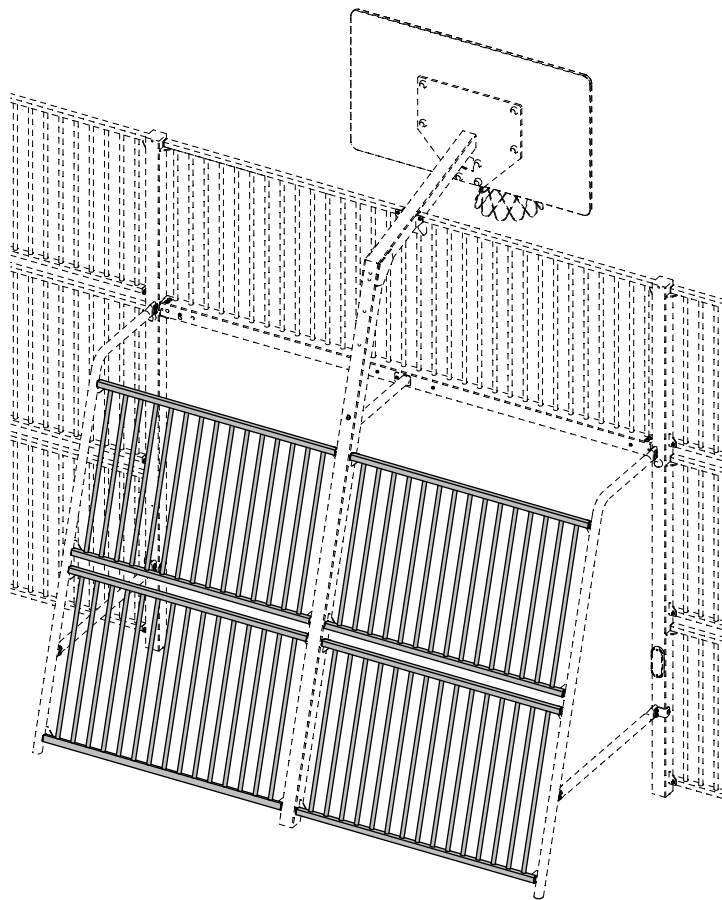
A10085-06

RE650103



KOMPAN!

RE628201-02 RE628201-05
RE628201-03 RE628201-13
RE628201-04 RE628201-14
RE628201-05 RE628201-15



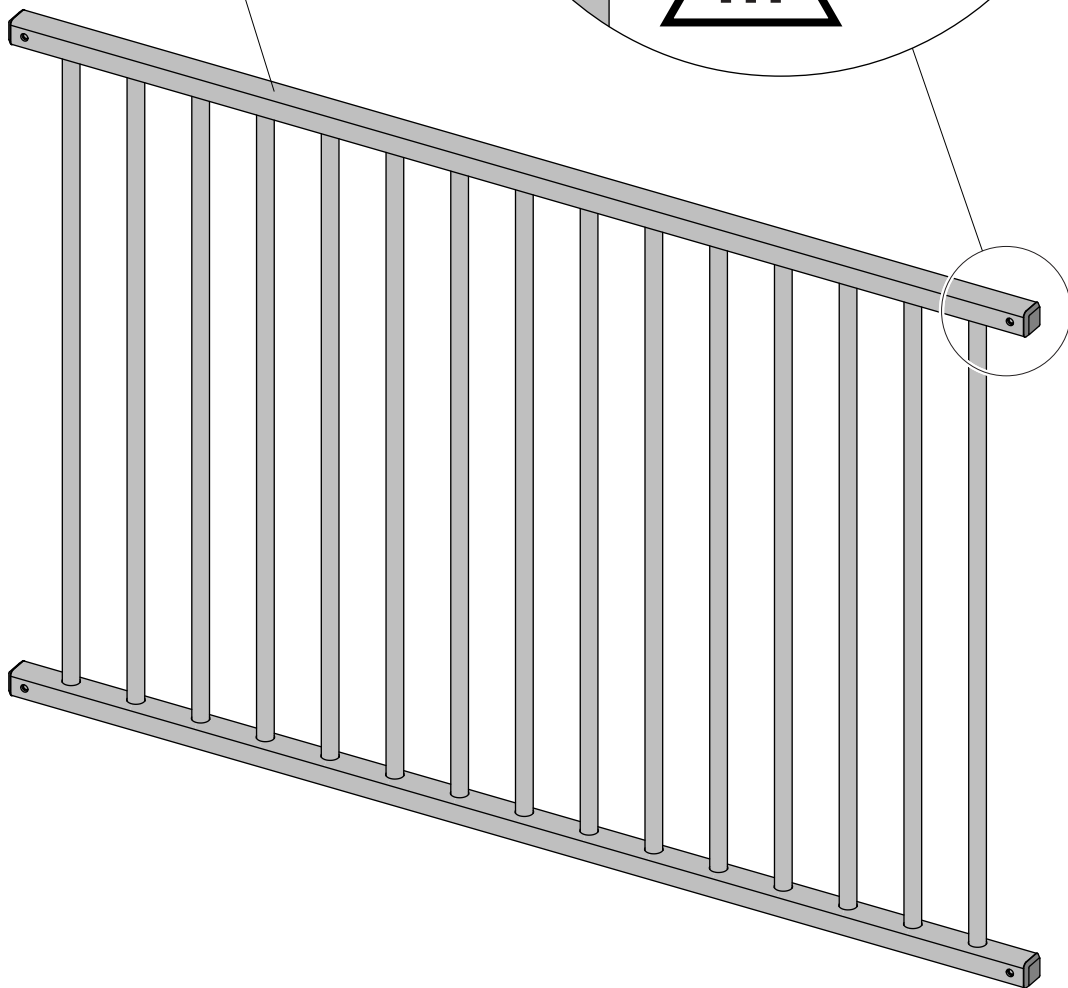
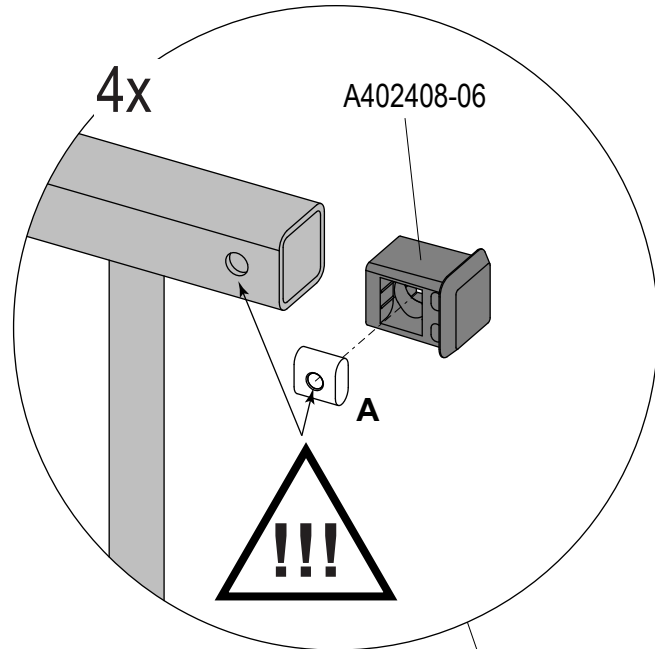


A



A400334-128

- A402063-51 - RE628201-02
- A402063-136 - RE628201-03
- A402063-10 - RE628201-04
- A402063-303 - RE628201-05
- A402063-359 - RE628201-13
- A402063-357 - RE628201-14
- A402063-358 - RE628201-15





A

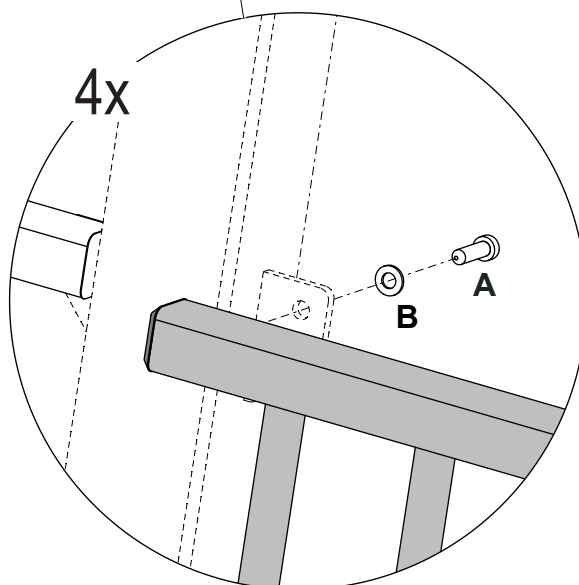
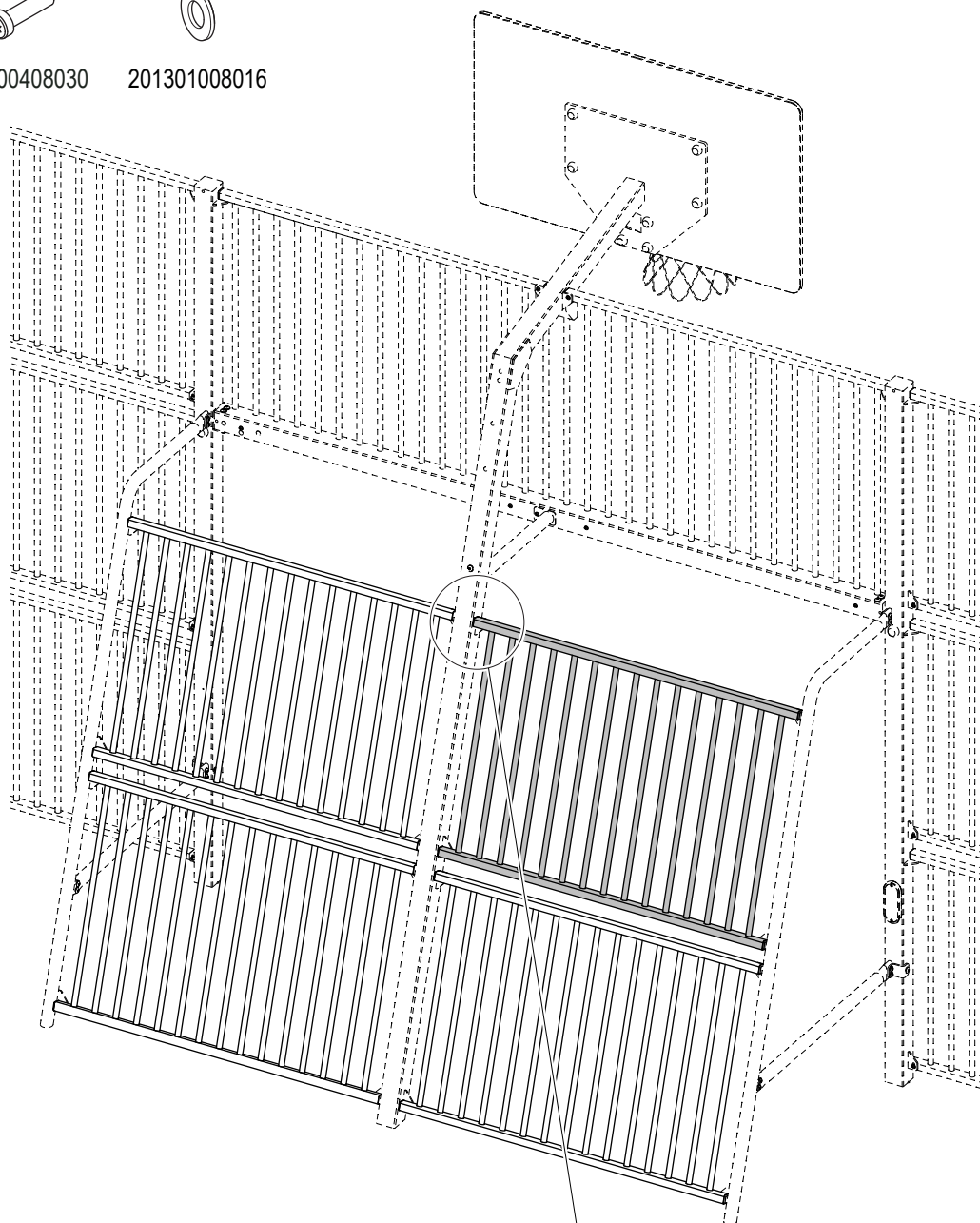


210100408030

B



201301008016



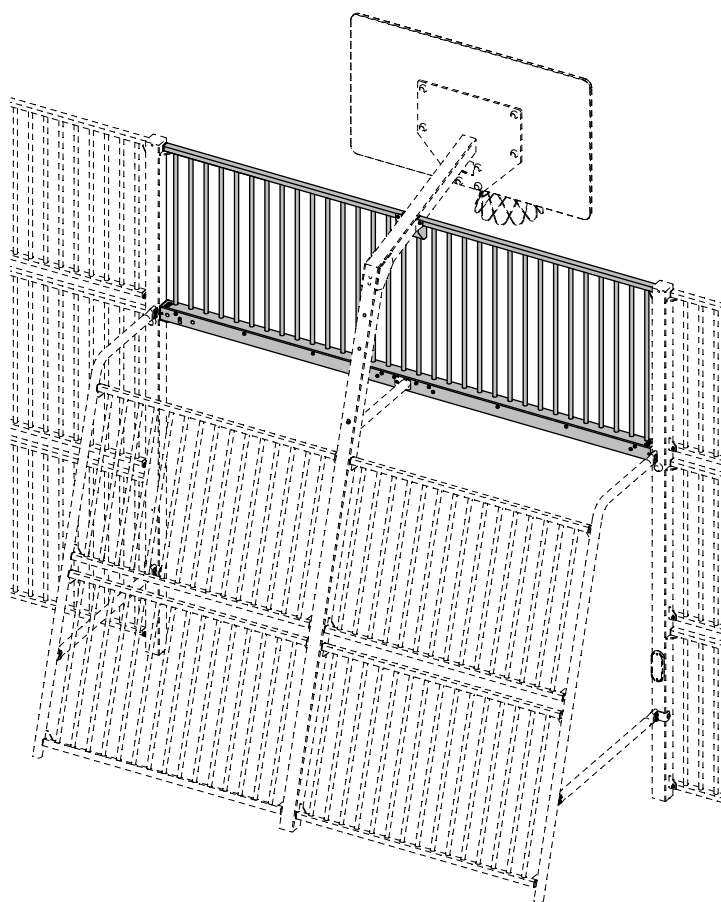
KOMPAN!

RE626101-05

RE626101-02 RE626101-13

RE626101-03 RE626101-14

RE626101-04 RE626101-15





A

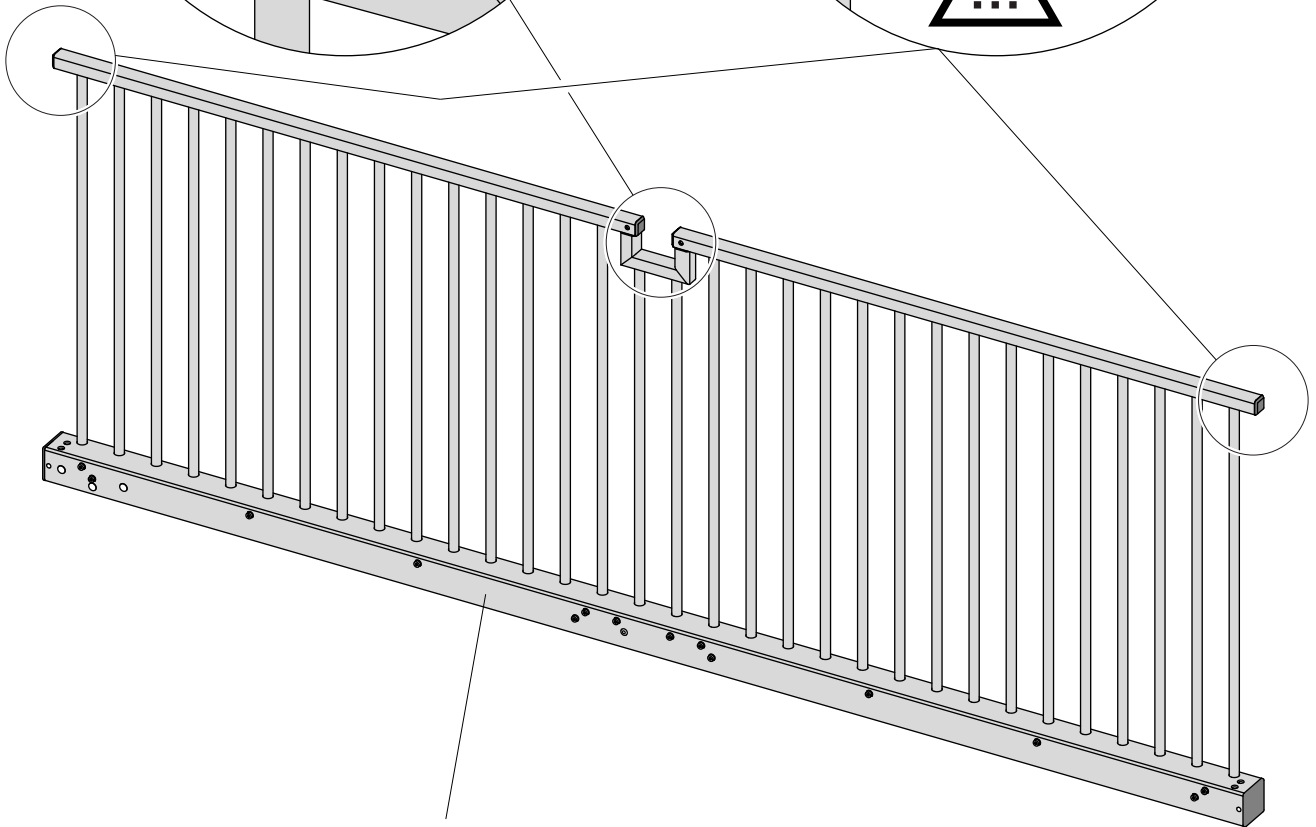
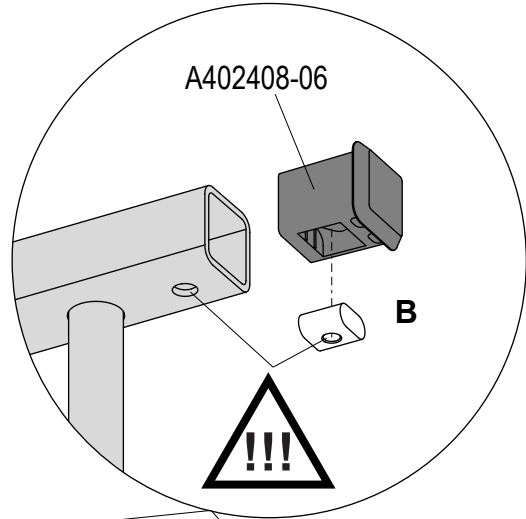
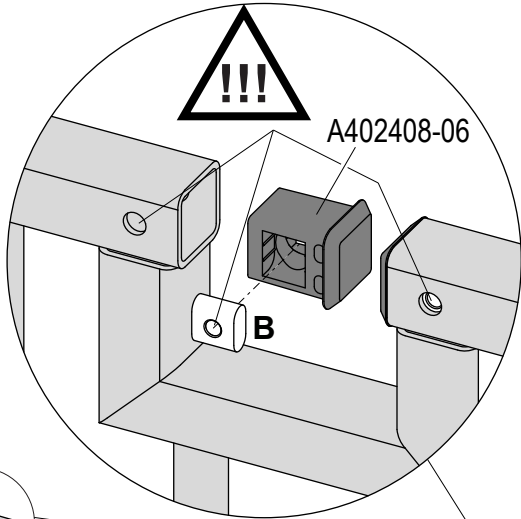


210100408030

B









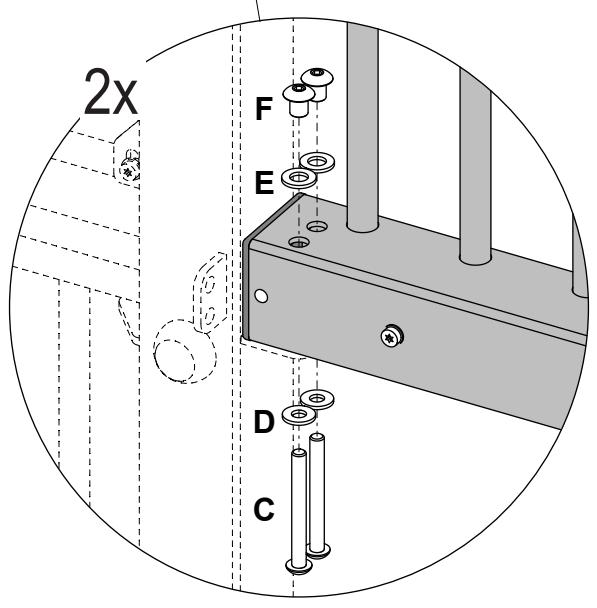
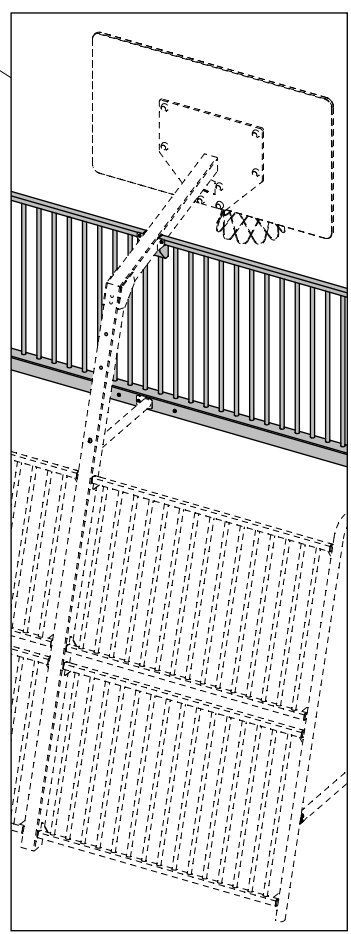
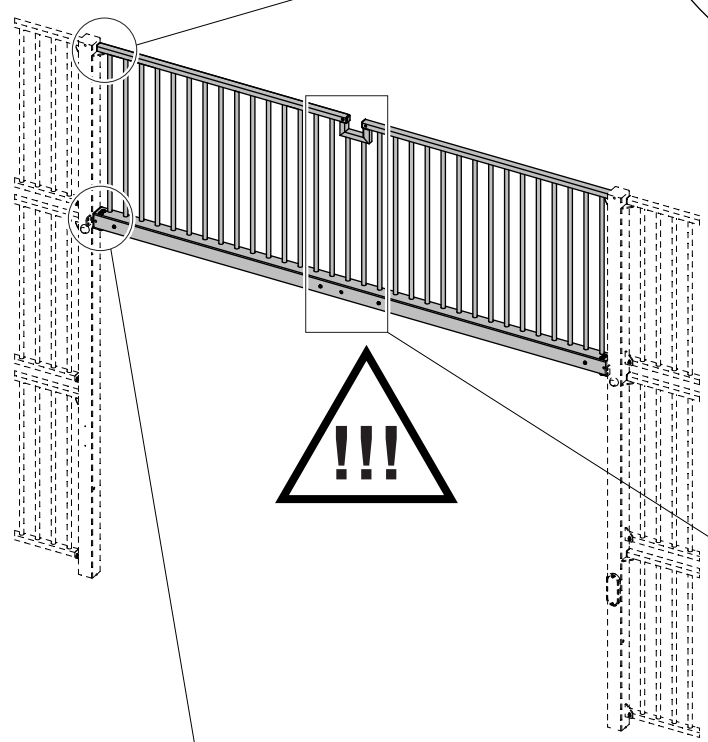
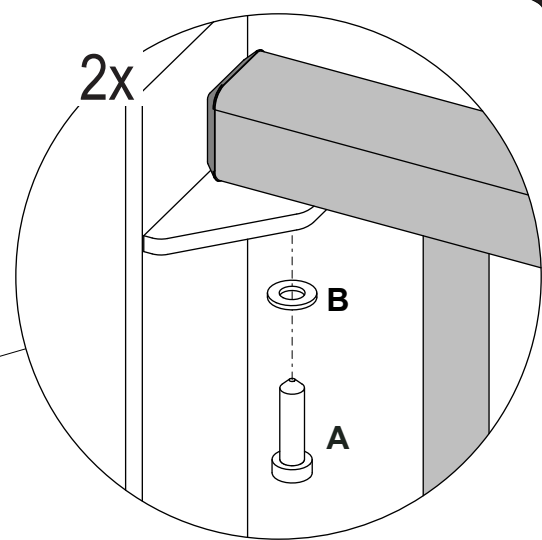
A400334-128



- AC40208-51 - RE626101-02
- AC402086-136 - RE626101-03
- AC402086-10 - RE626101-04
- AC402086-303 - RE626101-05
- AC402086-359 - RE626101-13
- AC402086-357 - RE626101-14
- AC402086-358 - RE626101-15



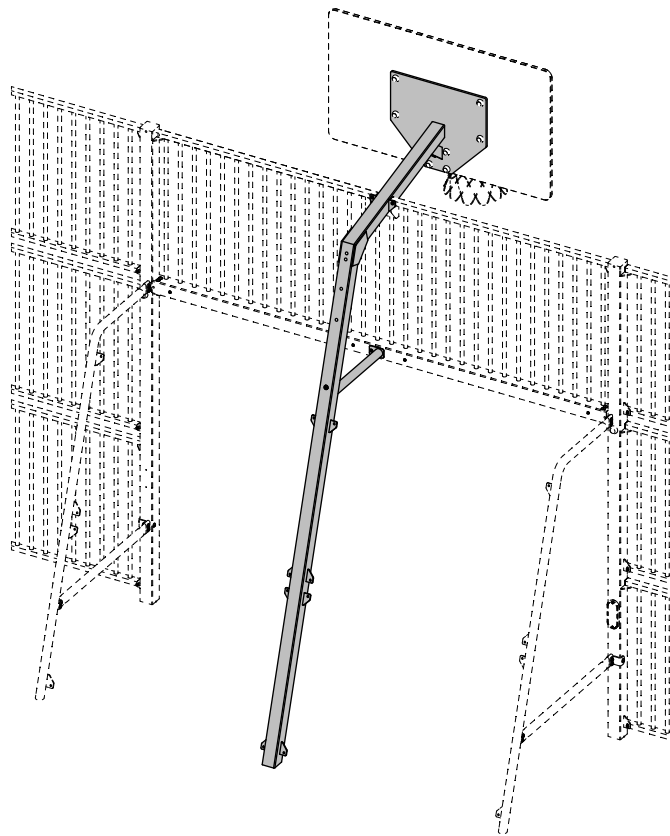
- A**

210100408025
- B**

201301008016
- C**

200304310090
- D**

701023
- E**

701424
- F**

A280082-52



KOMPAN!

RE623201-0002

RE623201-0902





A



210100

B



701023

C

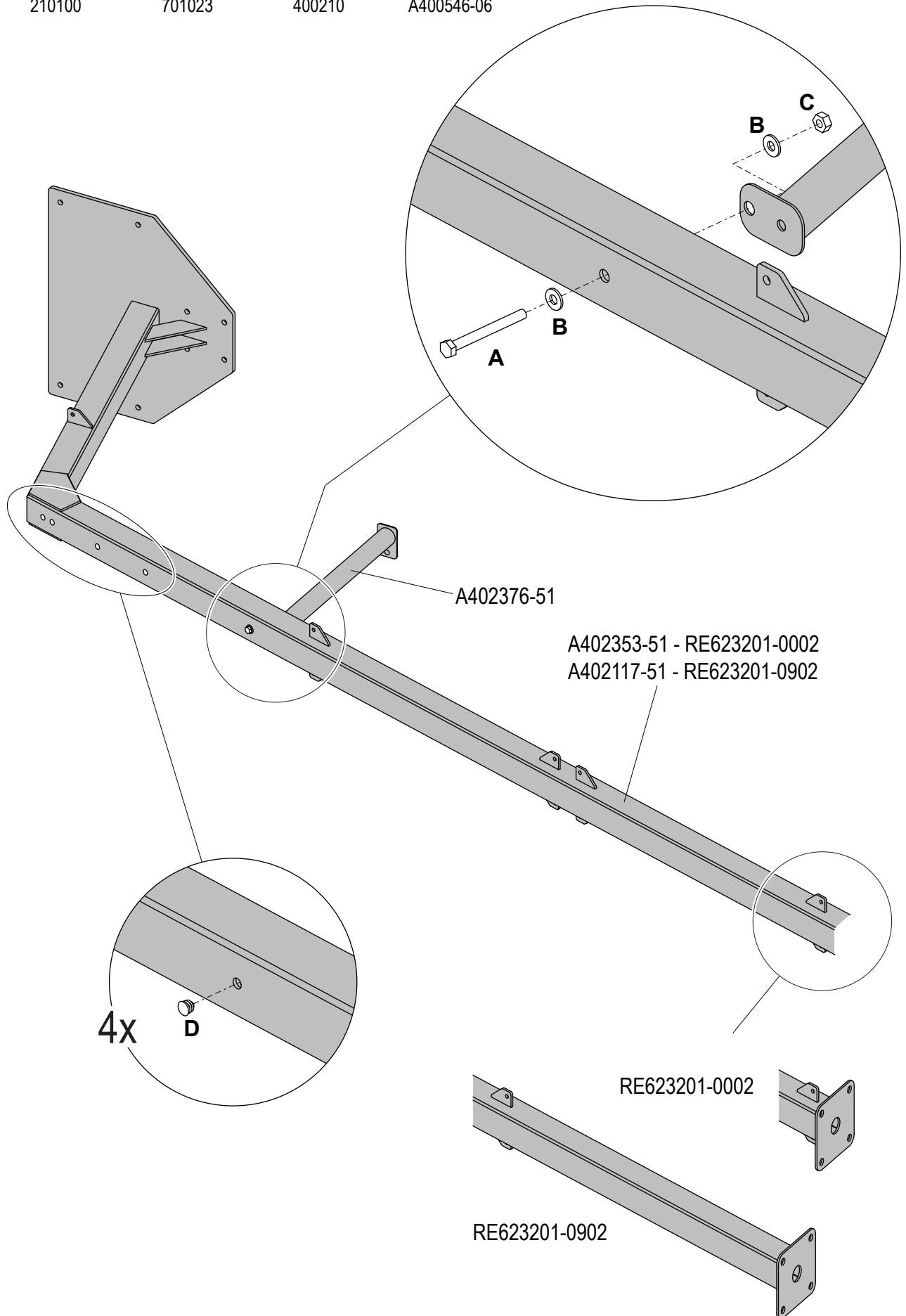


400210

D



A400546-06





A



210100408030

B

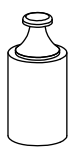


321300708020

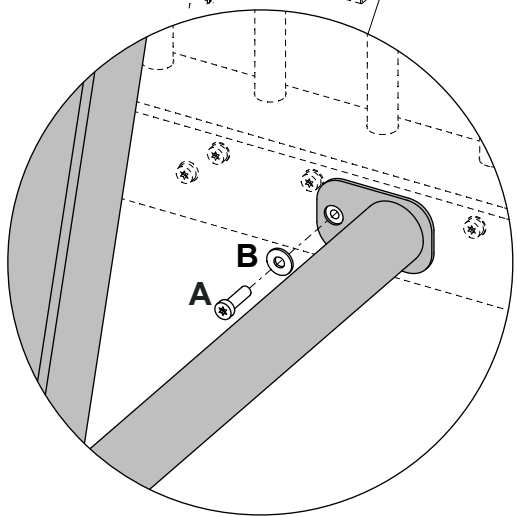
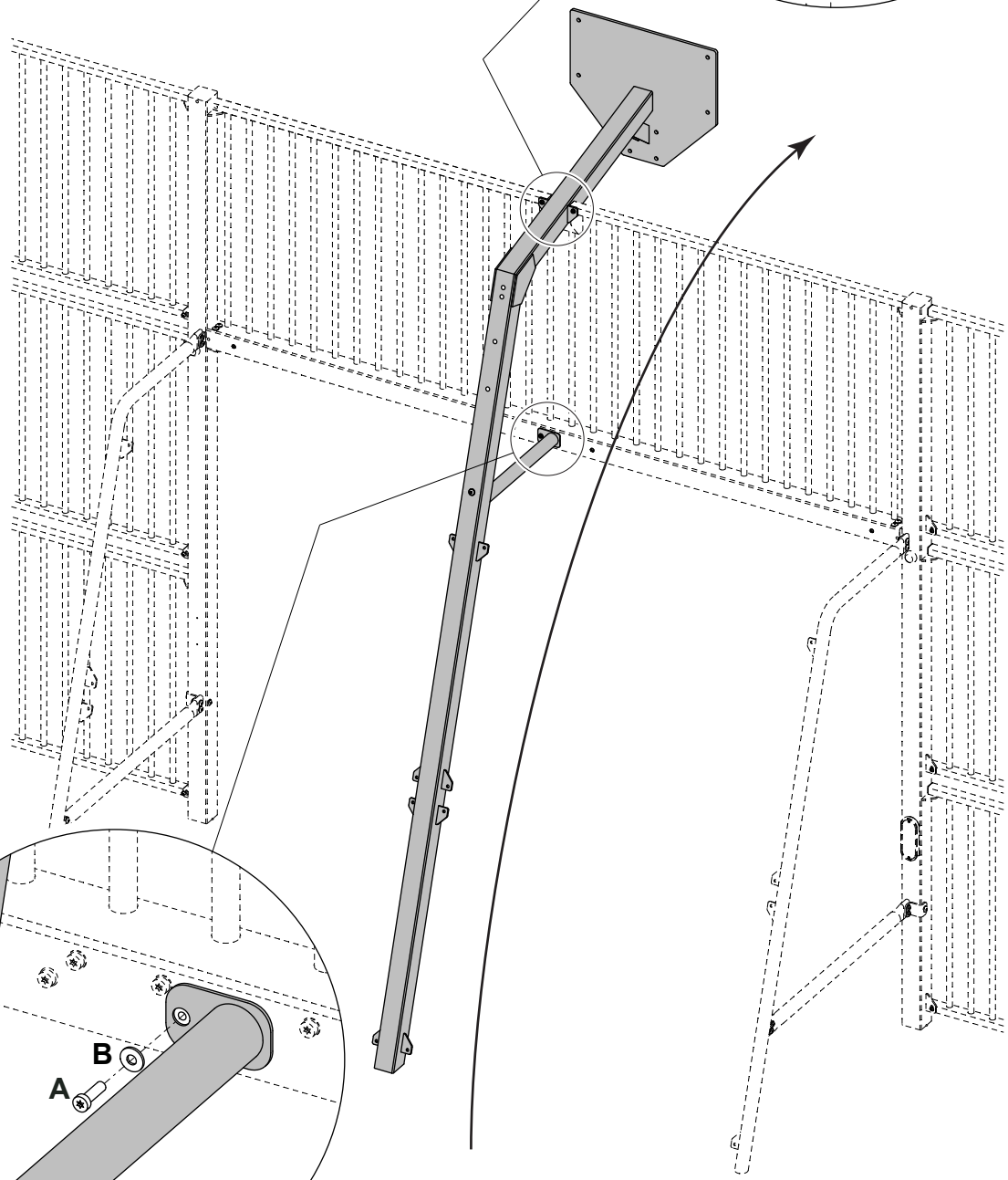
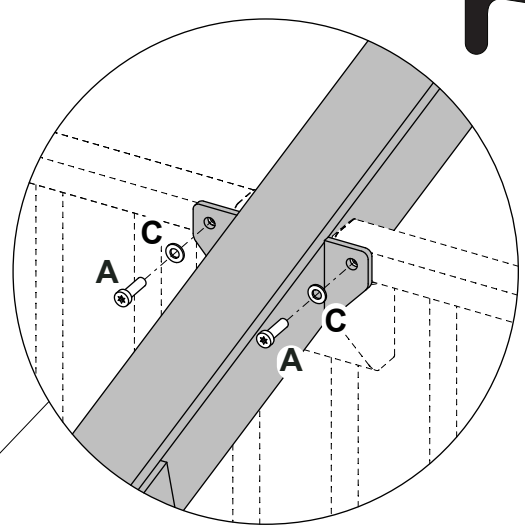
C



201301008016



RE623201-0002 - ca 70kg
RE623201-0902 - ca 80kg





A



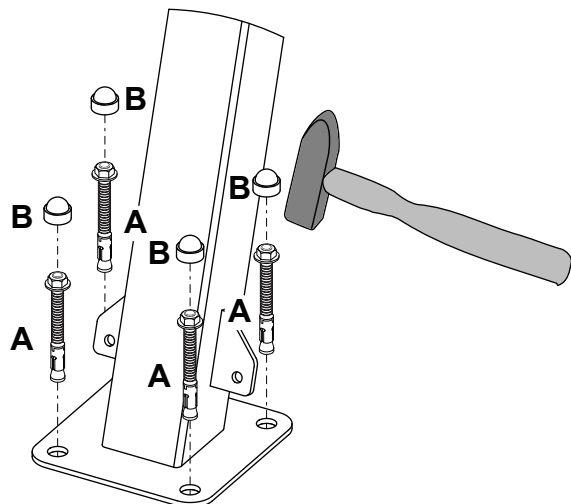
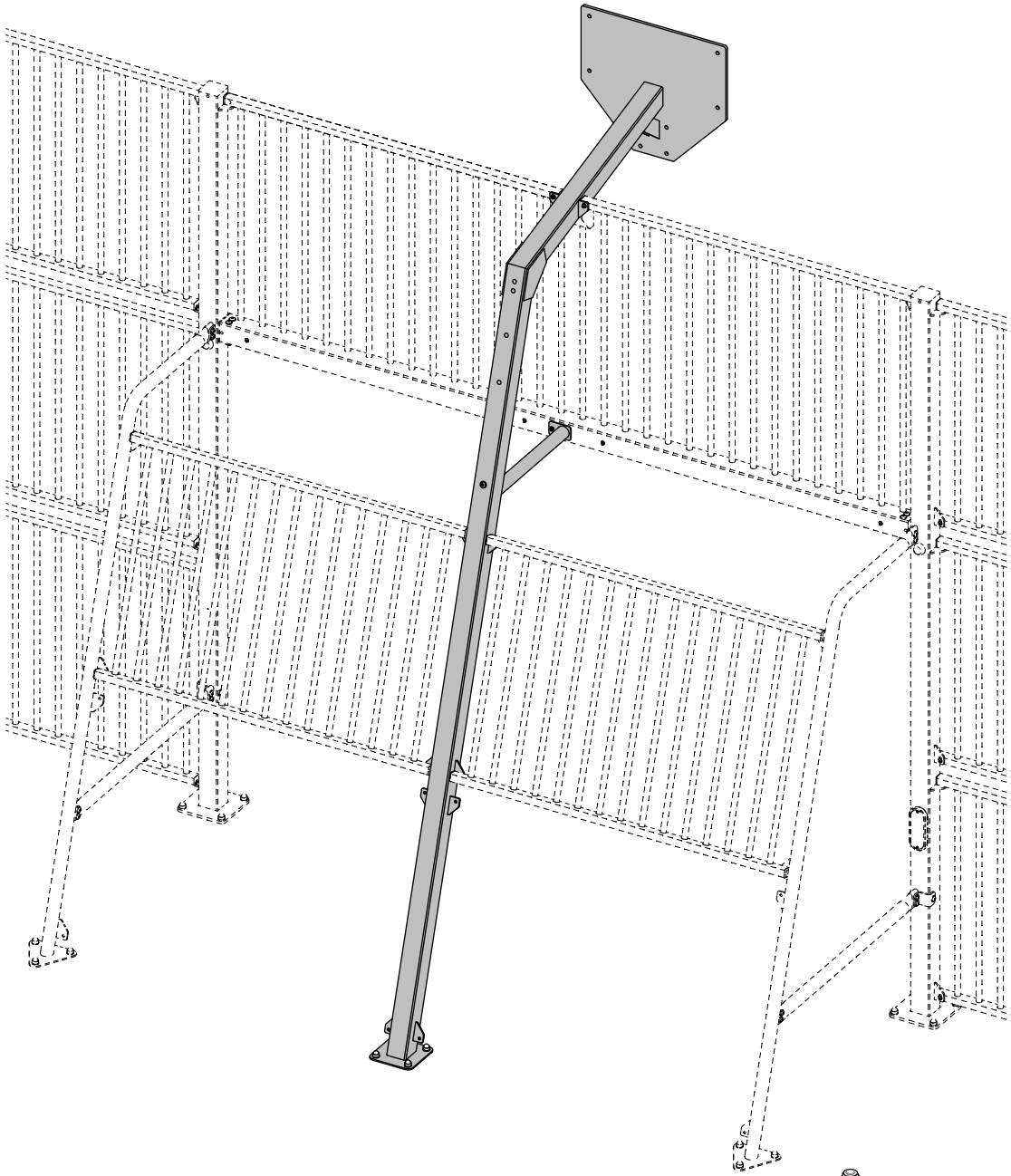
400317

B



OKU-ADM08-05

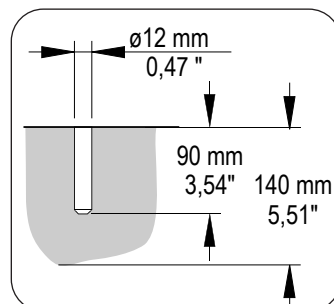
RE623201-0002



M12x100
400317



400317 - 12 mm:



Copyright©KOMPAN A/S

User information for Multi-sport equipment

According to EN15312 for free accessible multi-sports equipment, it is the owner's responsibility to provide the information about:

- Administrator's phone number
- Phone number to call in case of accident

The information can be added to the user sign shown below:

This sign, ordered separately in relevant language version, should be installed on the multi-sport equipment in a prominent place. Please see structure layout for exact positioning of the sign.

