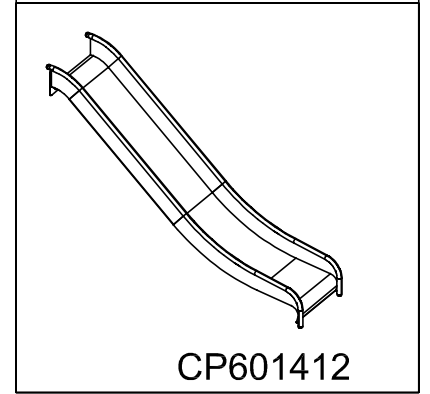
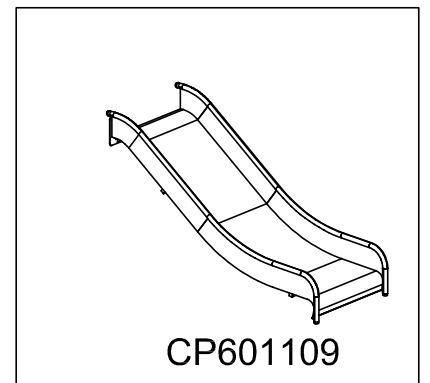
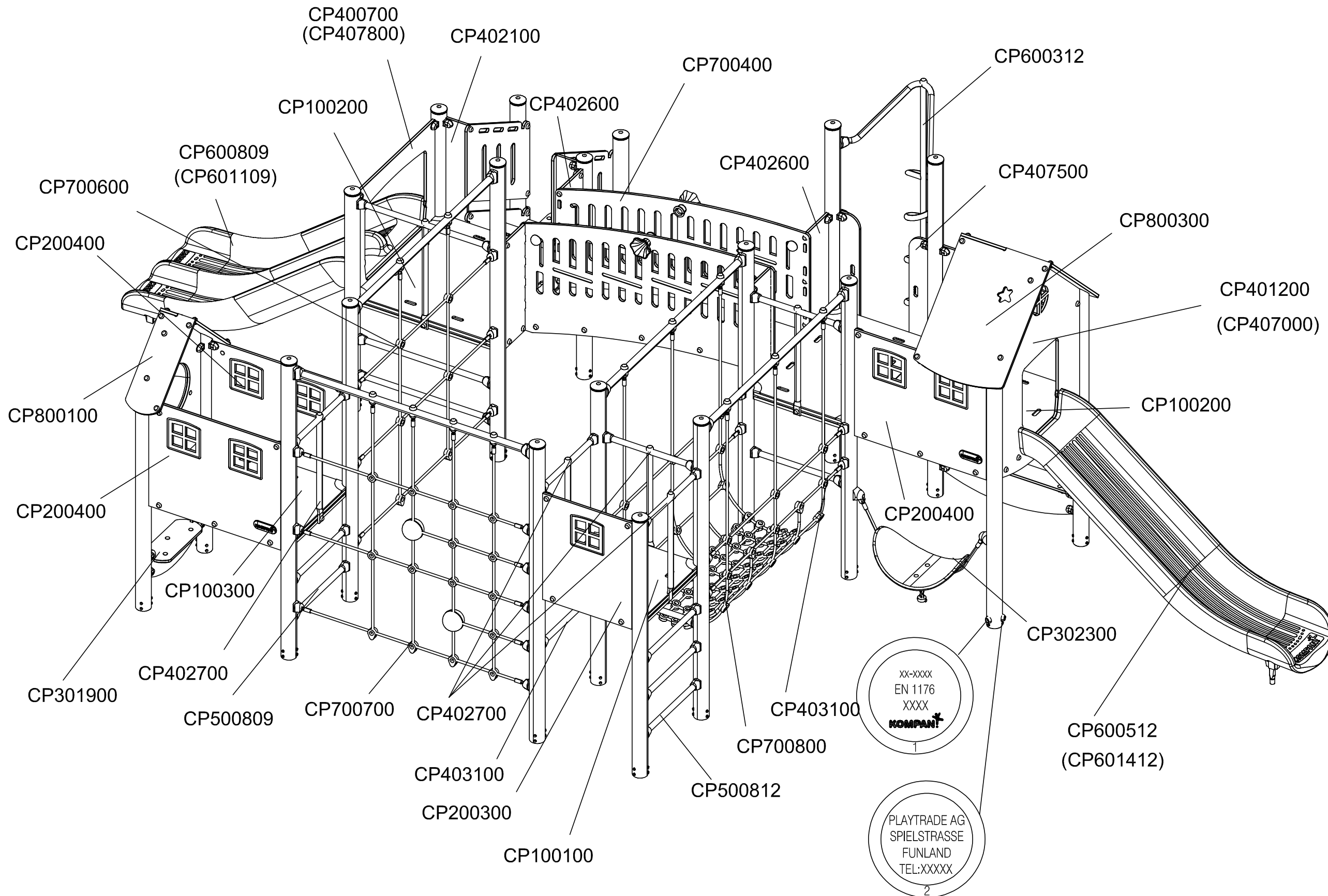
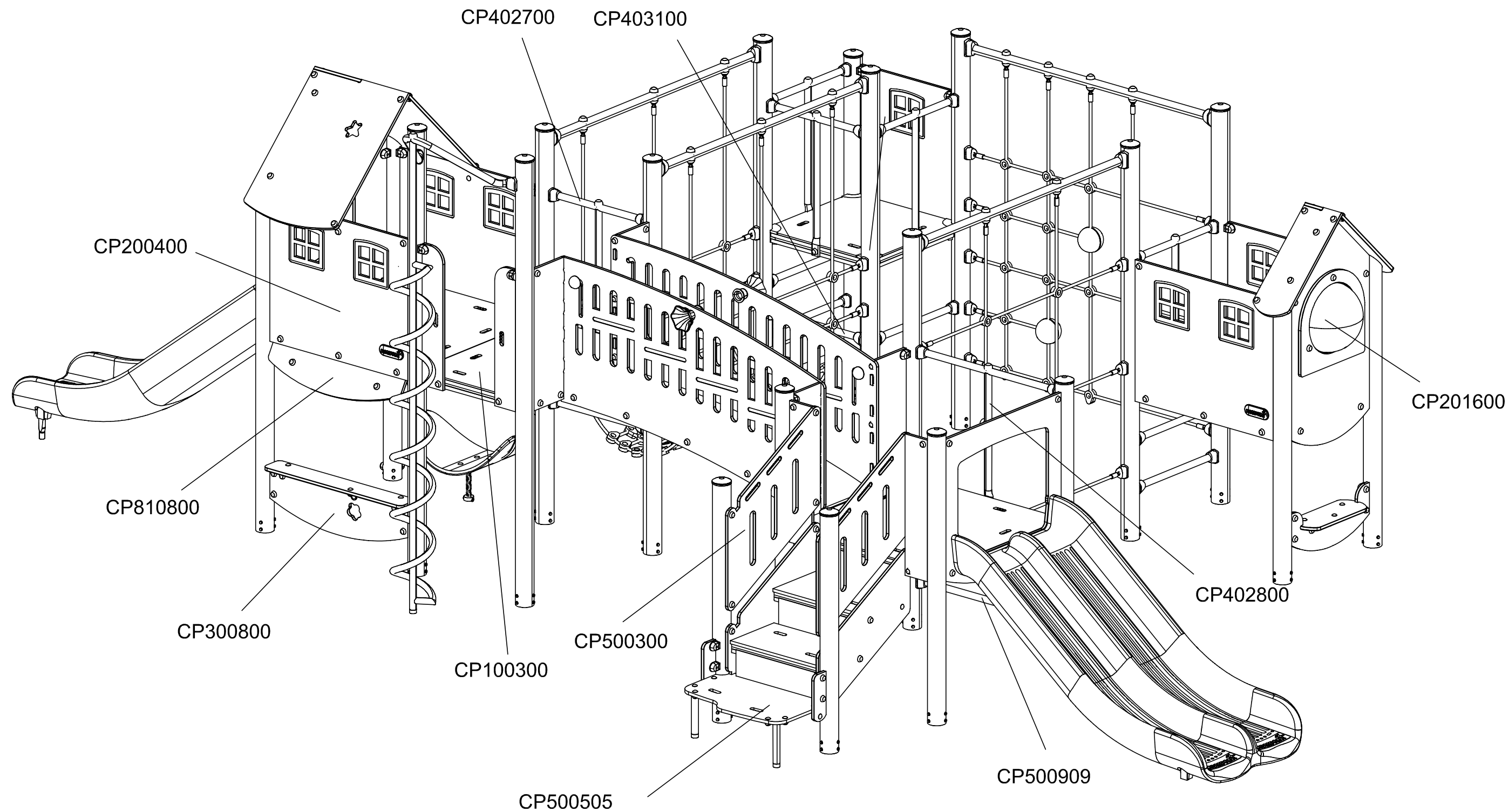


Beton
 Beton
 Concrete
 Hormigón
 Béton
 Cemento
 Beton
 Betong

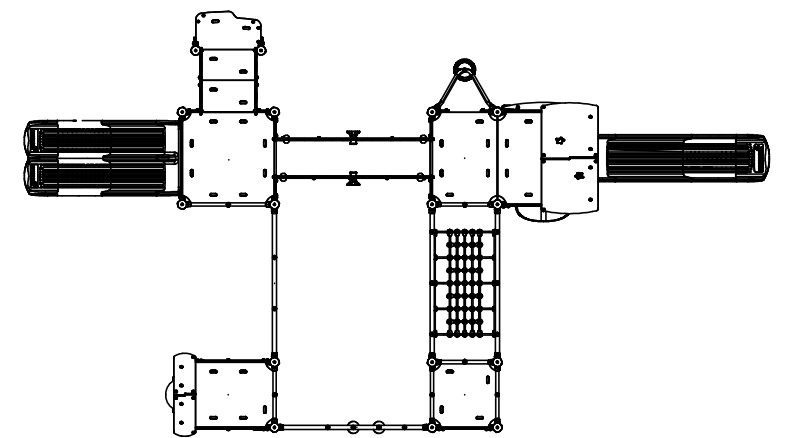
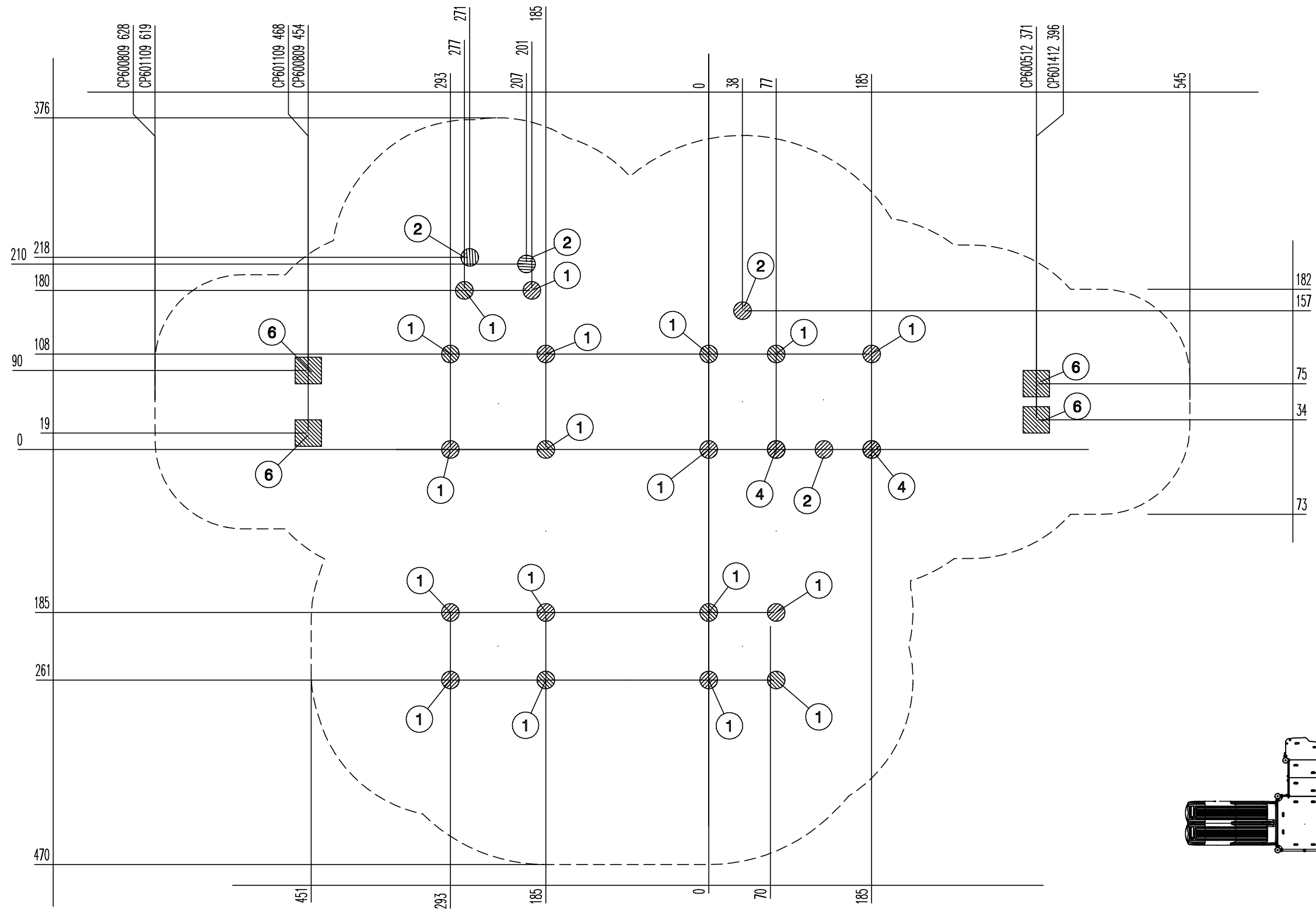
0,01m³ 0,42cu.ft.

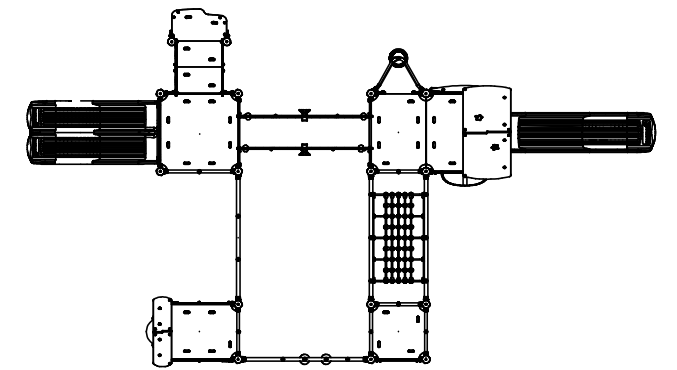
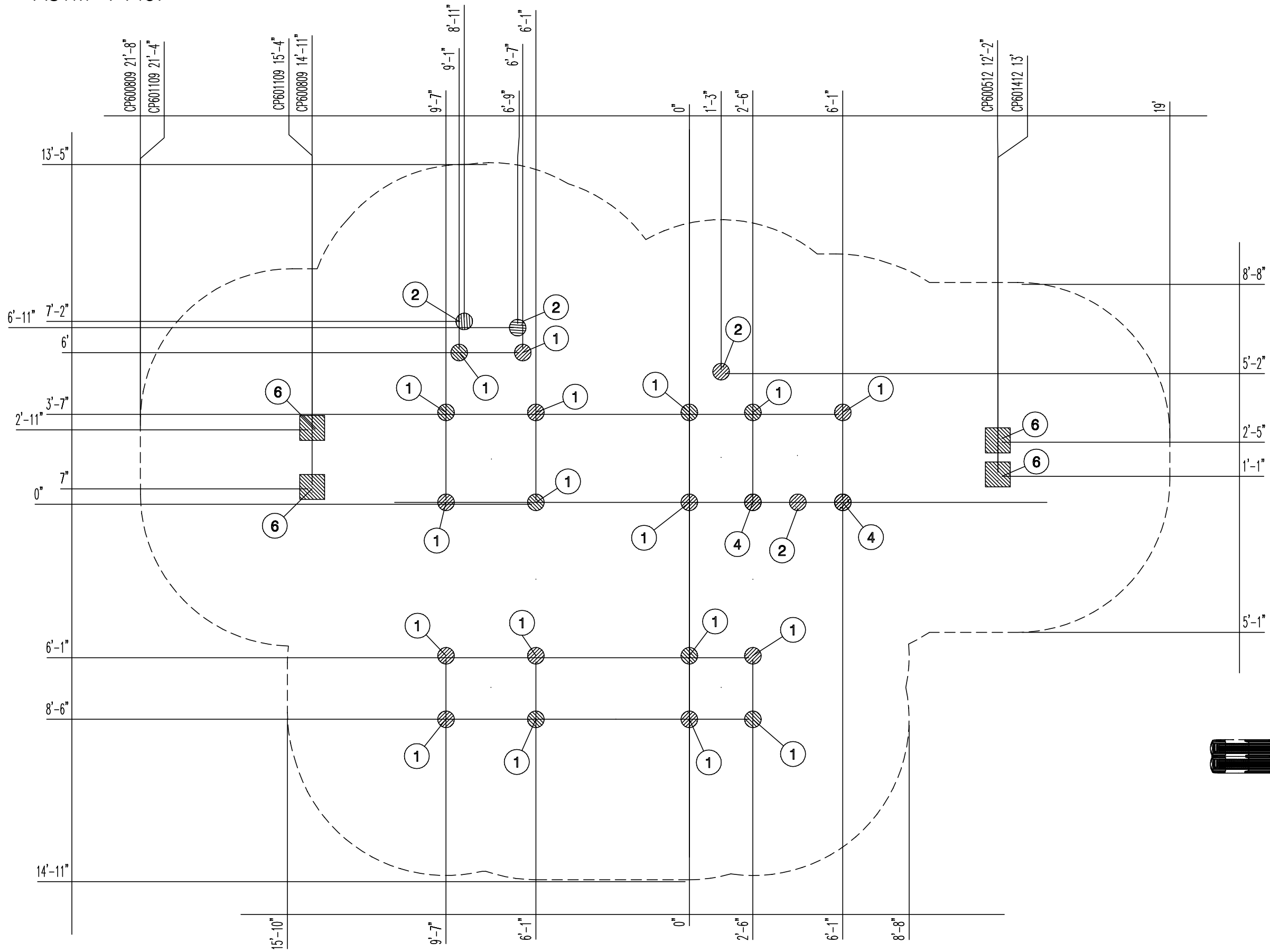


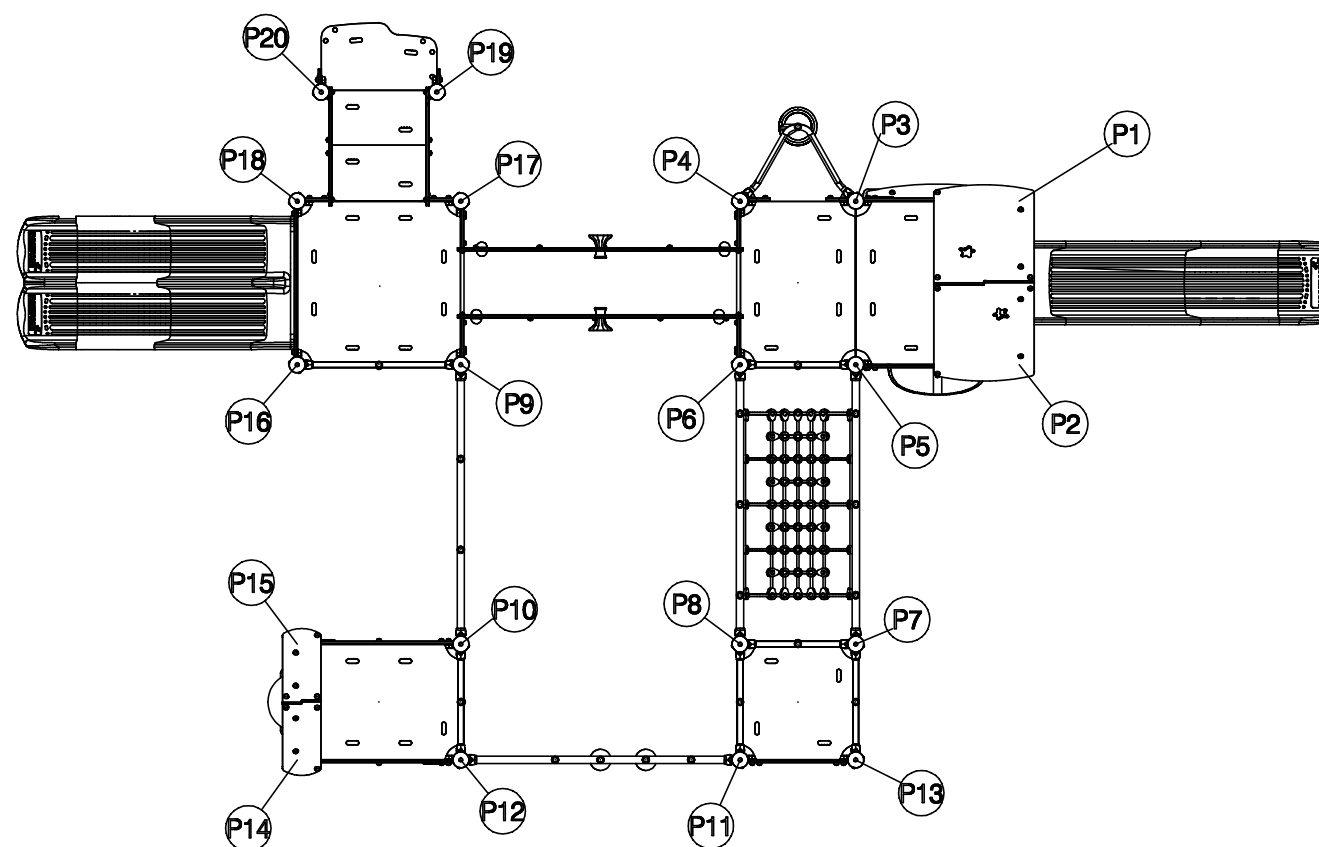


PCM400104

2018-12-05 AneHab
1:50 CM
Copyright © KOMPAN A/S 2018

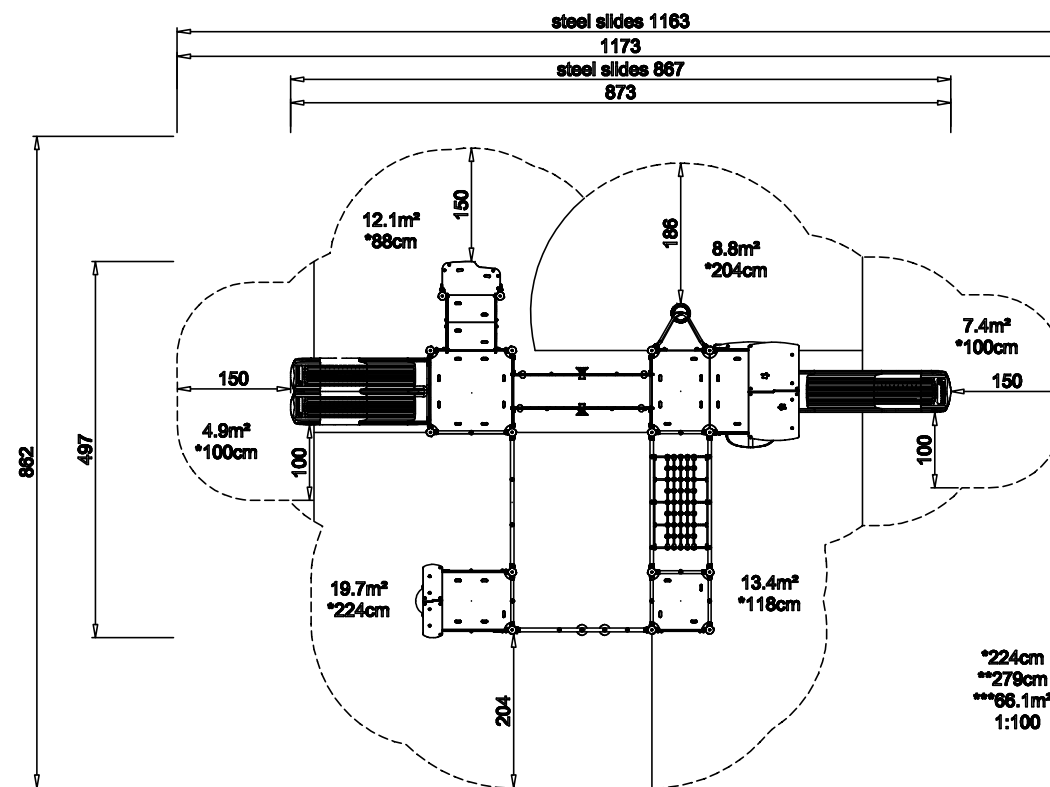
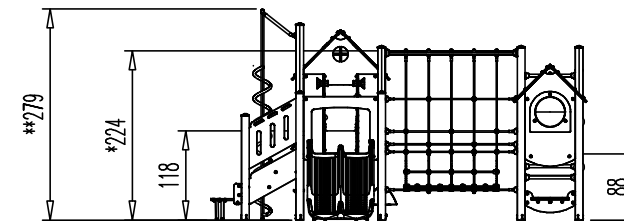
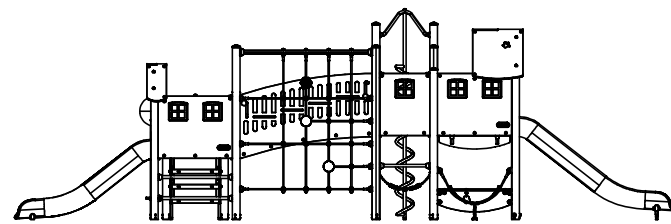
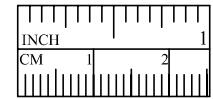






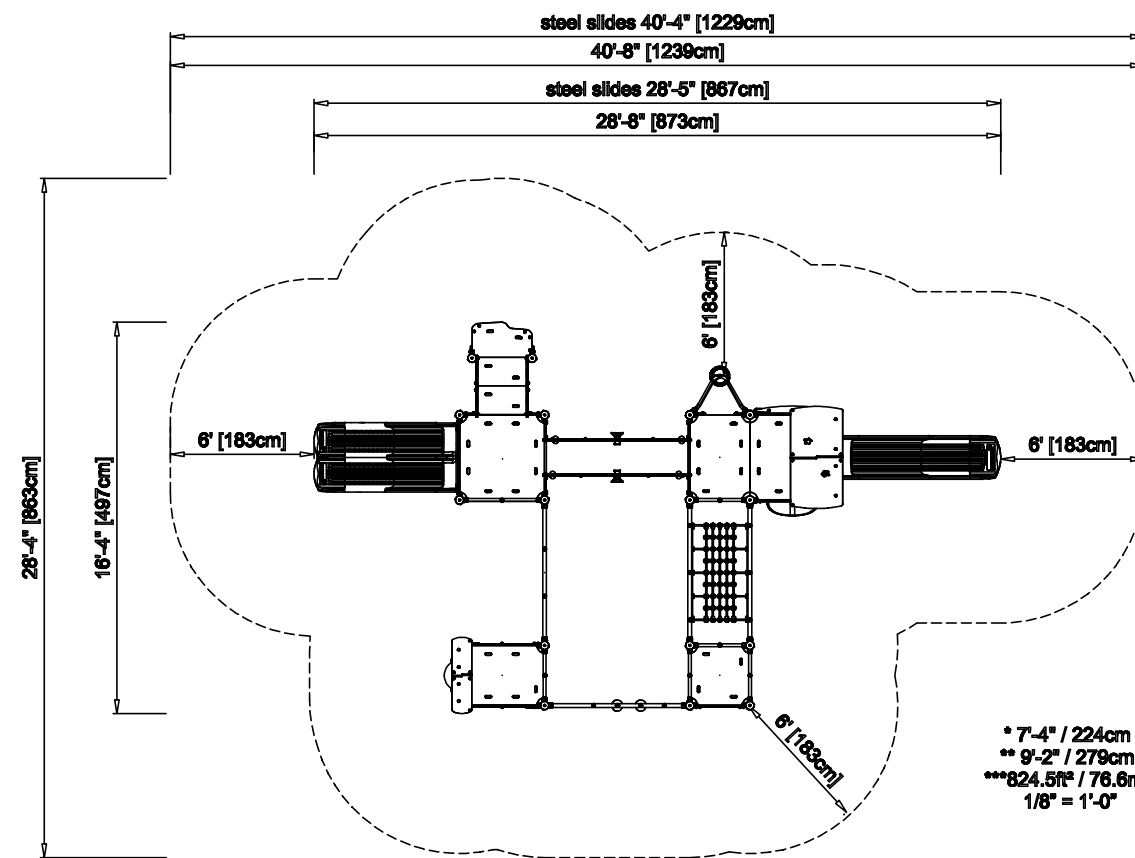
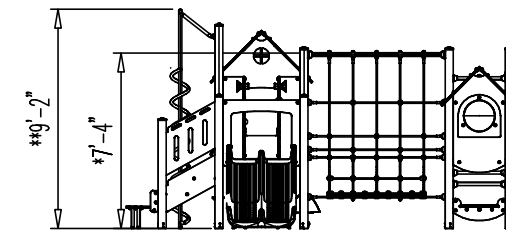
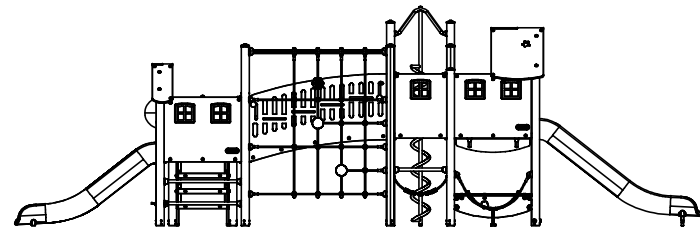
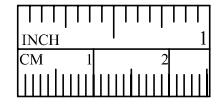
PCM400104

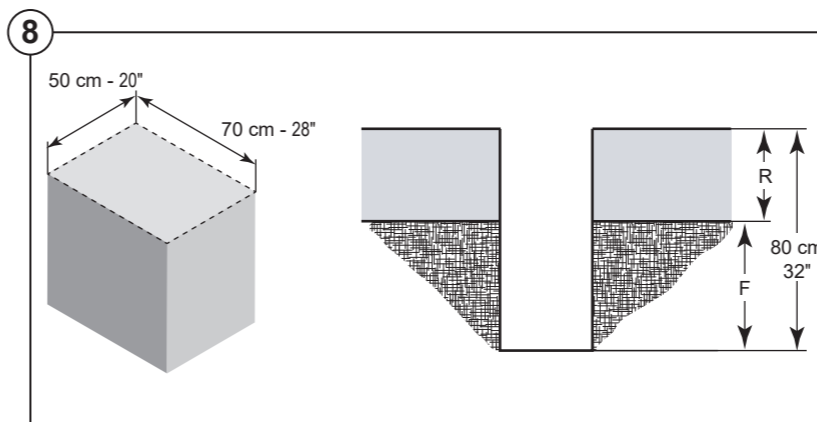
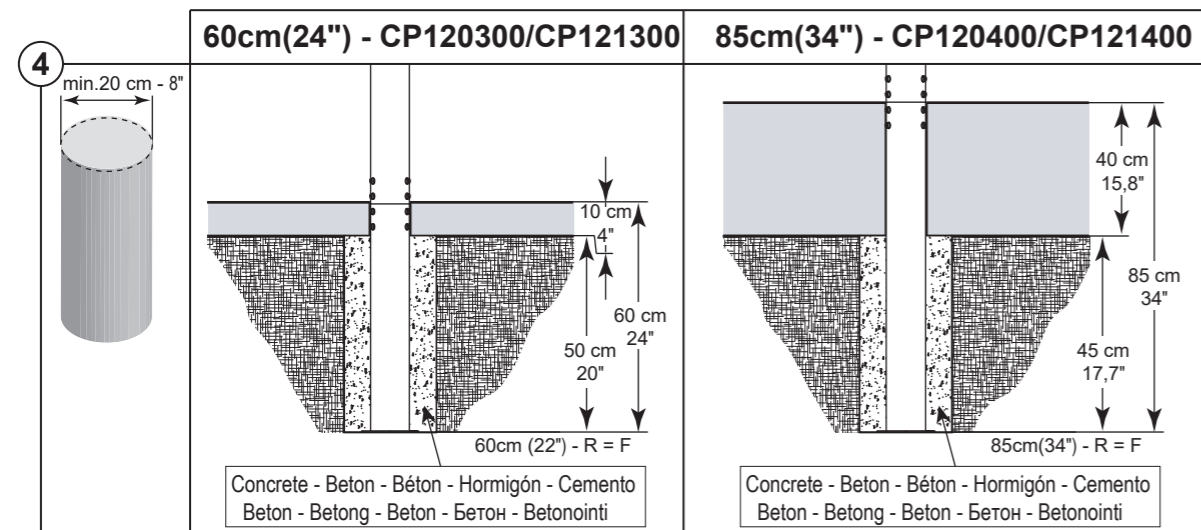
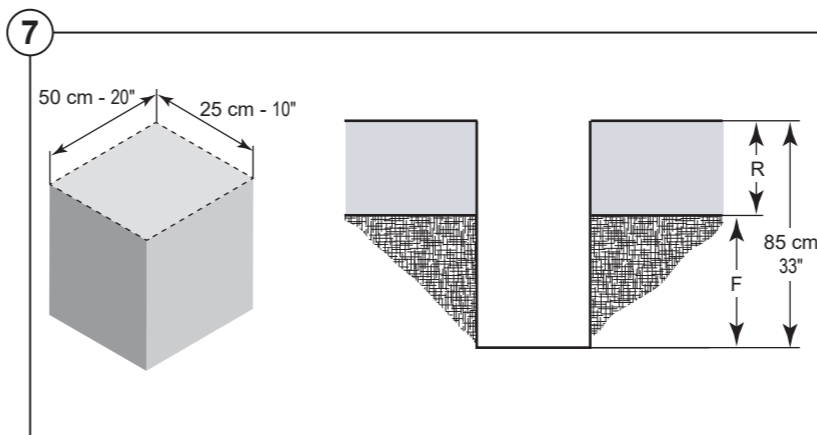
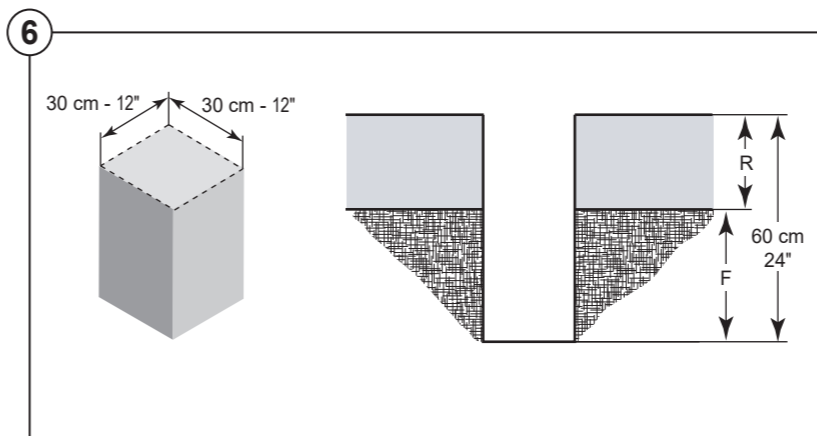
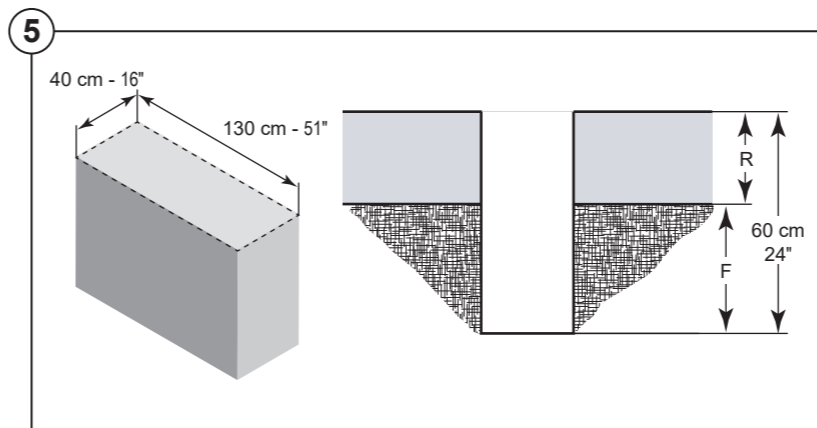
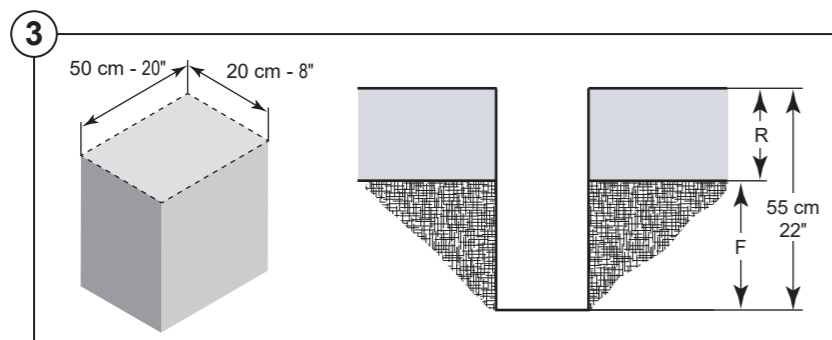
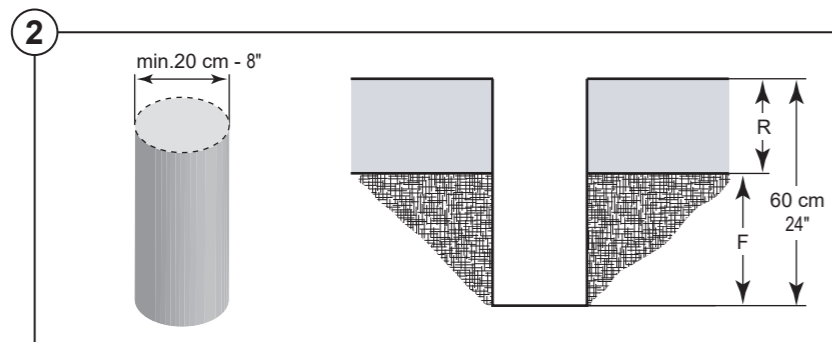
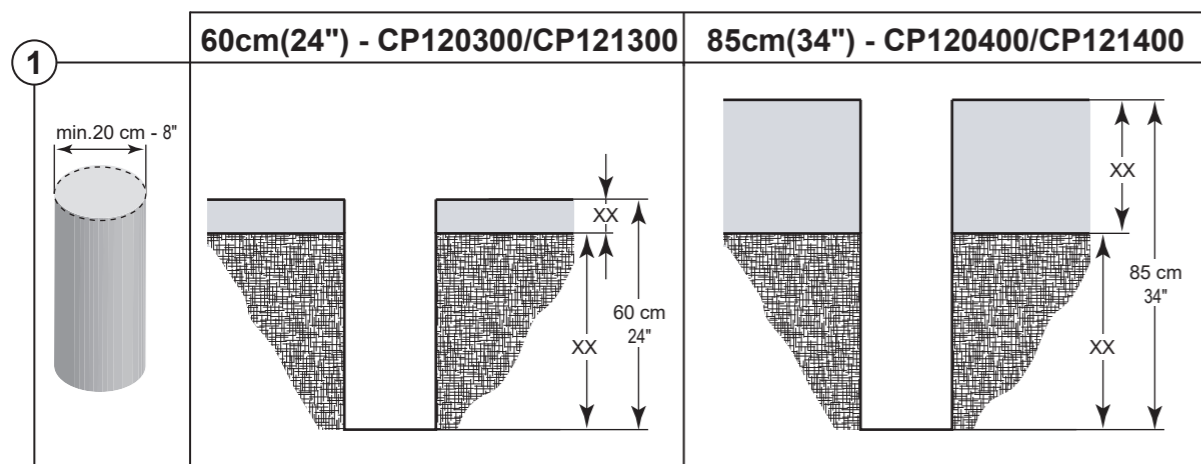
2018-02-03 AneHab
1:100
Copyright © KOMPAN A/S 2018



PCM400104

2018-12-05 AneHab
 1:1/8"
 Copyright © KOMPAN A/S 2018

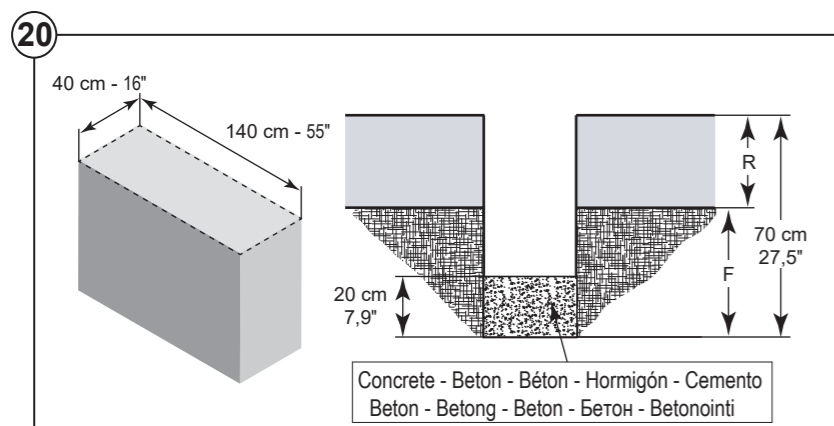
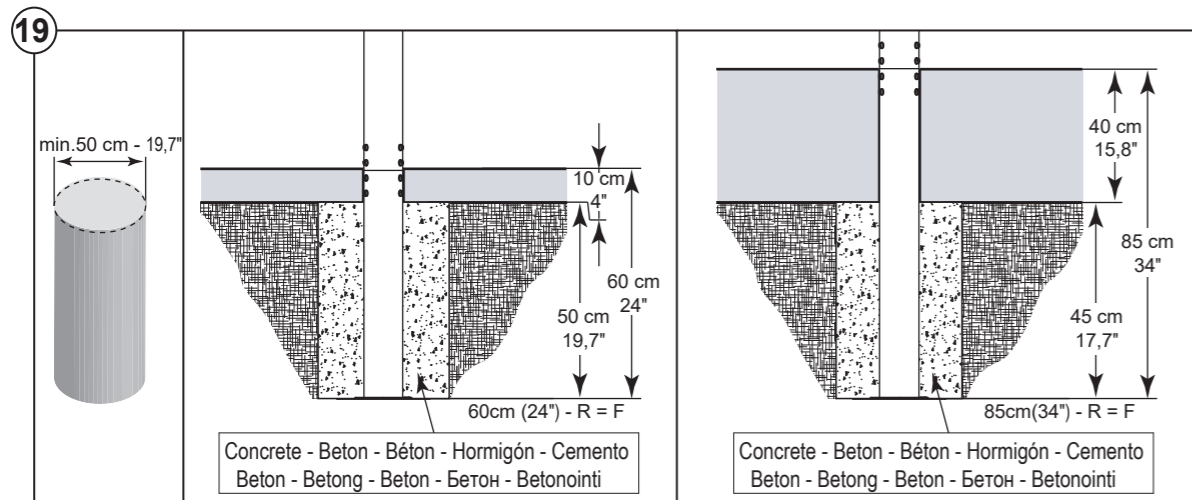
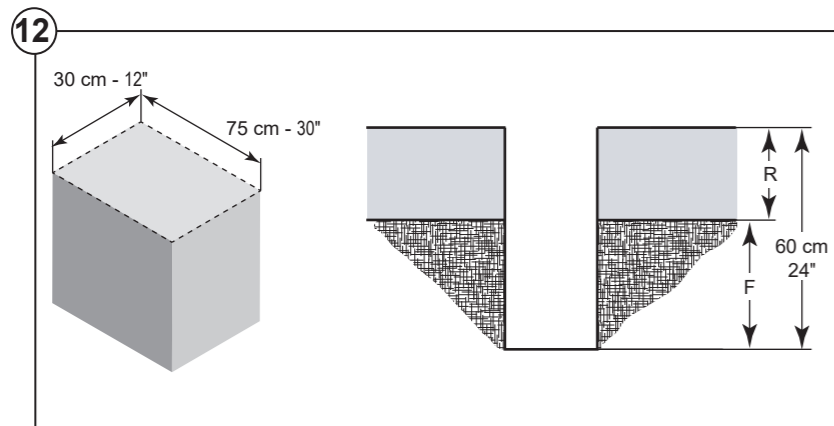
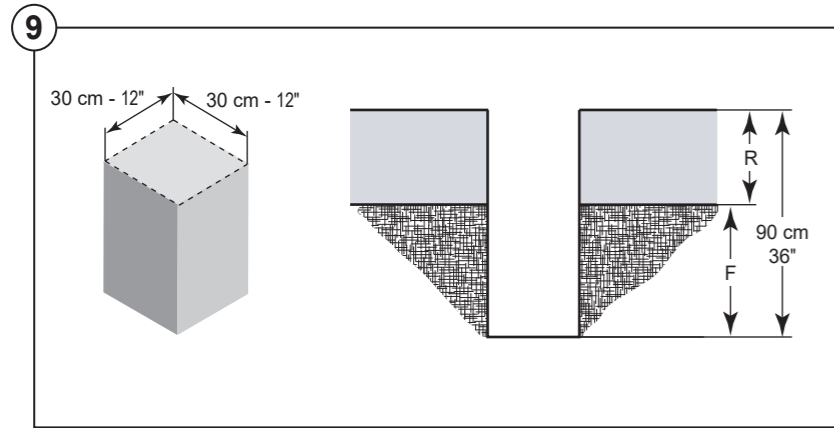




Important! The concrete must be sufficiently hardened before the play item may be used.
Wichtig! Vor der Inbetriebnahme des Spielratters muß der Beton ausreichend abgebunden haben.
Important! Le béton doit avoir suffisamment durci avant de mettre en service l'équipement de jeux.
Importante! El hormigón debe estar suficientemente endurecido antes de comenzar a utilizar el equipo de juego.
Importante! Prima de utilizzare le attrezzature da gioco, il cemento deve essere sufficientemente solidificato.
Belangrijk! Het beton moet voldoende gehard zijn voordat het speeltoestel in gebruik wordt genomen.
Viktigt! Betongen måste ha härdat tillräckligt innan lekredskapet börjar användas.
Viktigt! Betonen skal være tilstrækkeligt hærdet, før legeredskabet tages i brug.
Важно! Перед использованием сооружений убедитесь, что бетон затвердел.
HUOM! Betonivalun on oltava tarpeeksi kuiva, ennen kuin leikkivälinettä saa käyttää.

R: Resilient surfacing - Fallschutzbelag - Revêtement amortissant
 Recubrimiento amortiguador - Materiale ammortizzante
 Veiligheidsondergrond - Fallunderlag - Faldunderlag
 Безопасное покрытие - Turva-alusta

F: Foundation - Fundament - Fondement - Fondazione
 Fundamento - Fonden - Stiftelsen - Perustus - Stichting - Фонд



Important! The concrete must be sufficiently hardened before the play item may be used.

Wichtig! Vor der Inbetriebnahme des Spielräräts muß der Beton ausreichend abgebinden haben.

Important! Le béton doit avoir suffisamment durci avant de mettre en service l'équipement de jeux.

Importante! El hormigón debe estar suficientemente endurecido antes de comenzar a utilizar el equipo de juego.

Importante! Prima de utilizzare le attrezzature da gioco, il cemento deve essere sufficientemente solidificato.

Belangrijk! Het beton moet voldoende gehard zijn voordat het speeltoestel in gebruik wordt genomen.

Viktigt! Betongen måste ha härdat tillräckligt innan lekredskapet börjar användas.

Viktigt! Betonen skal være tilstrækkeligt hærdet, før legeredskabet tages i brug.

Важно! Перед использованием сооружений убедитесь, что бетон затвердел.

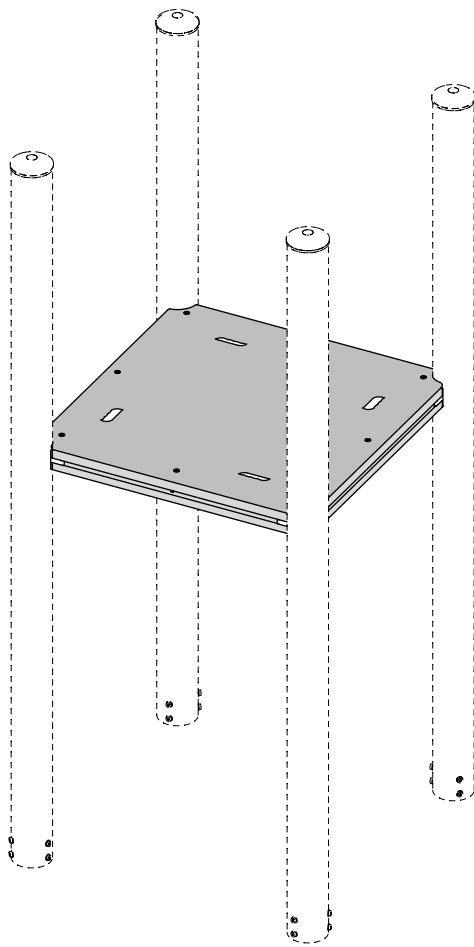
HUOM! Betonivalun on oltava tarpeeksi kuiva, ennen kuin leikkivälinettä saa käyttää.

R: Resilient surfacing - Fallschutzbelag - Revêtement amortissant
Recubrimiento amortiguador - Materiale ammortizzante
Veiligheidsondergrond - Fallunderlag - Faldunderlag
Безопасное покрытие - Turva-alusta

F: Foundation - Fundament - Fondement - Fondazione
Fundamento - Fonden - Stiftelsen - Perustus - Stichting - Фонд

KOMPAN®

CP100100-06

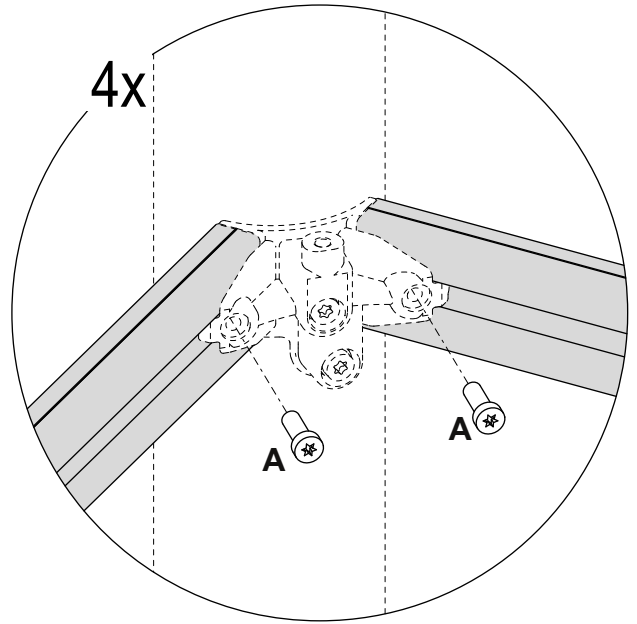
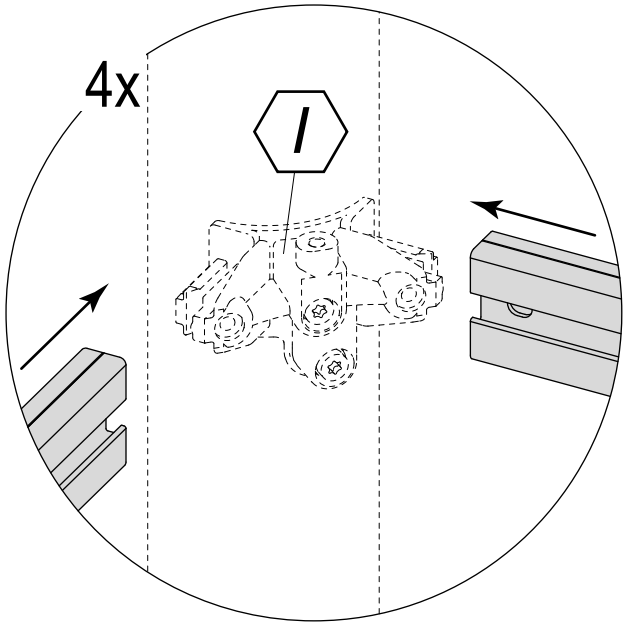




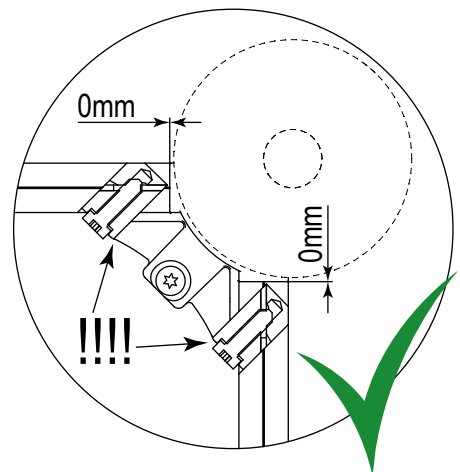
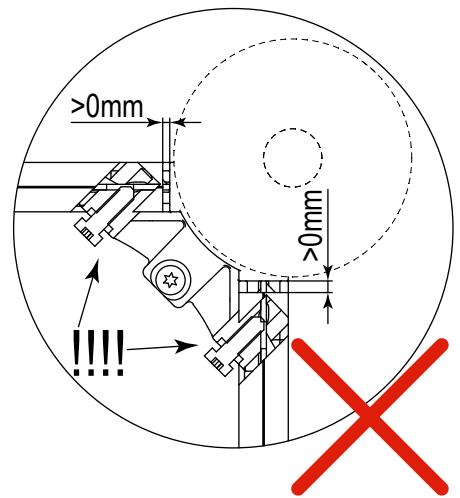
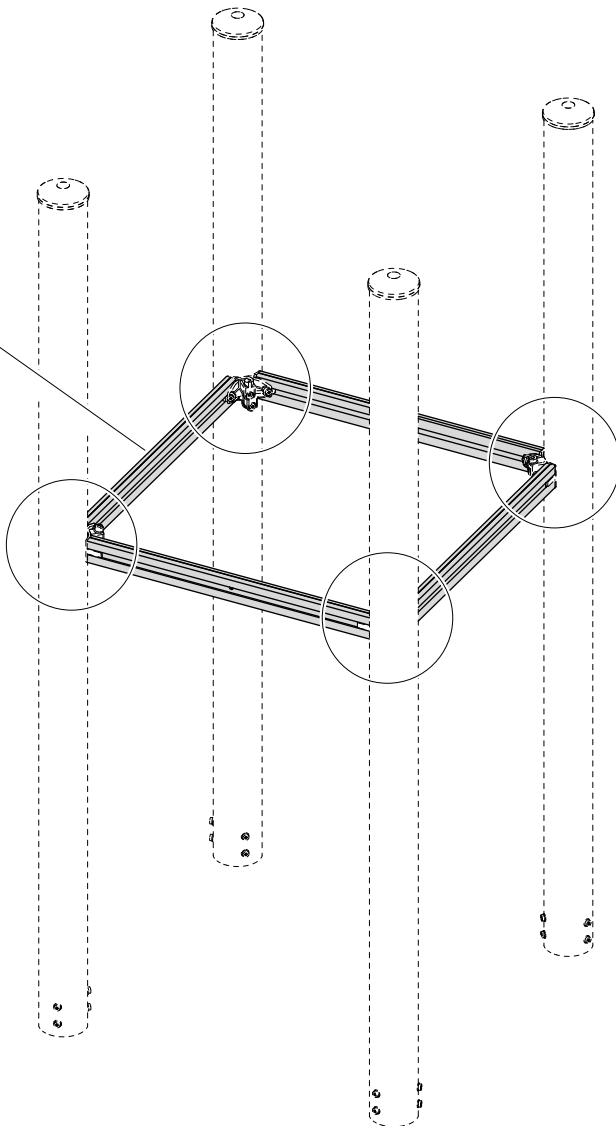
A

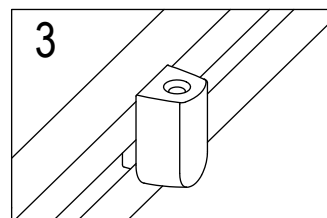
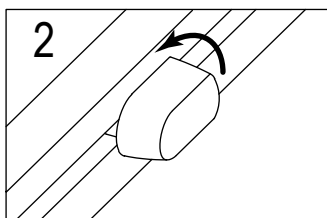
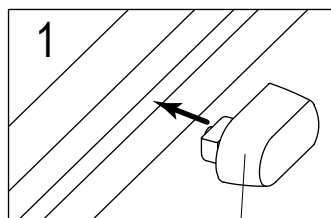


210100408025

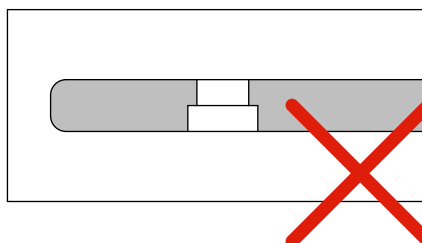
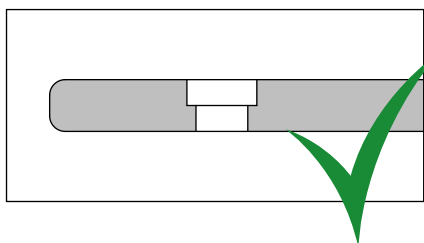
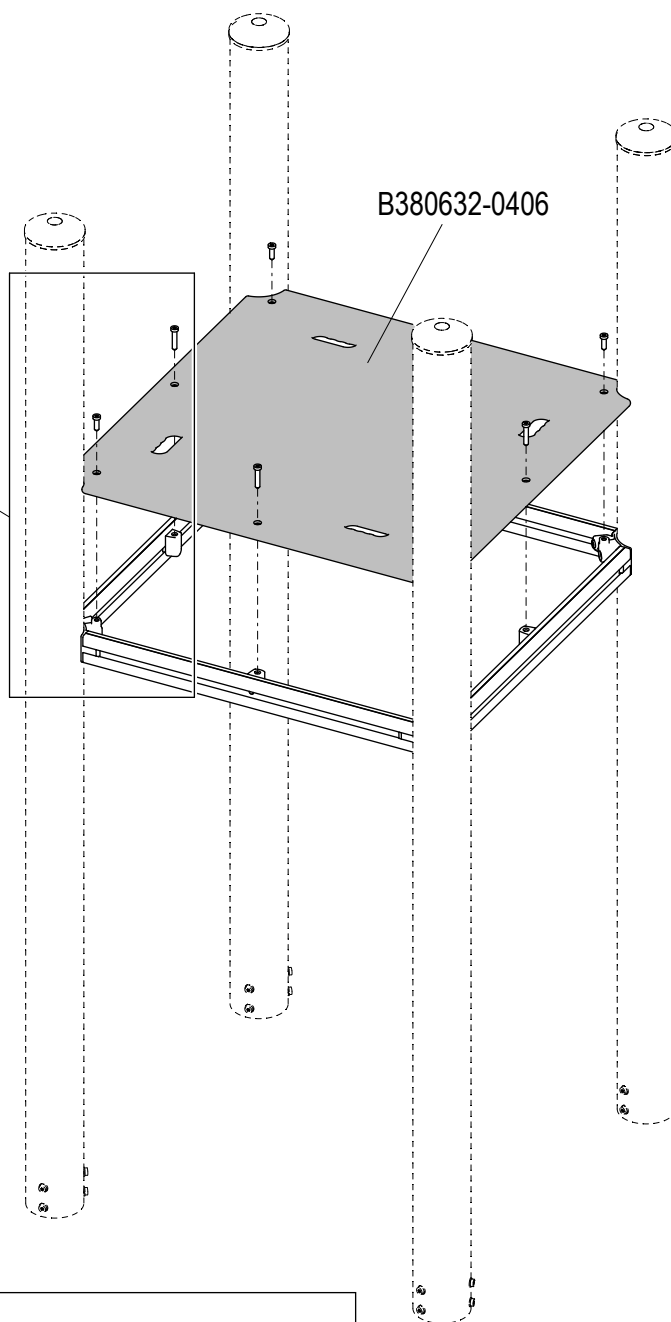
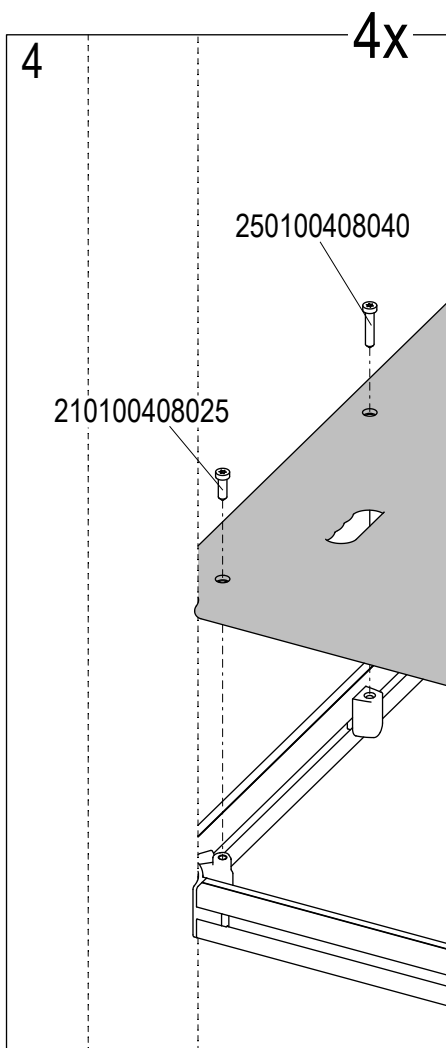


4 x A380014-112

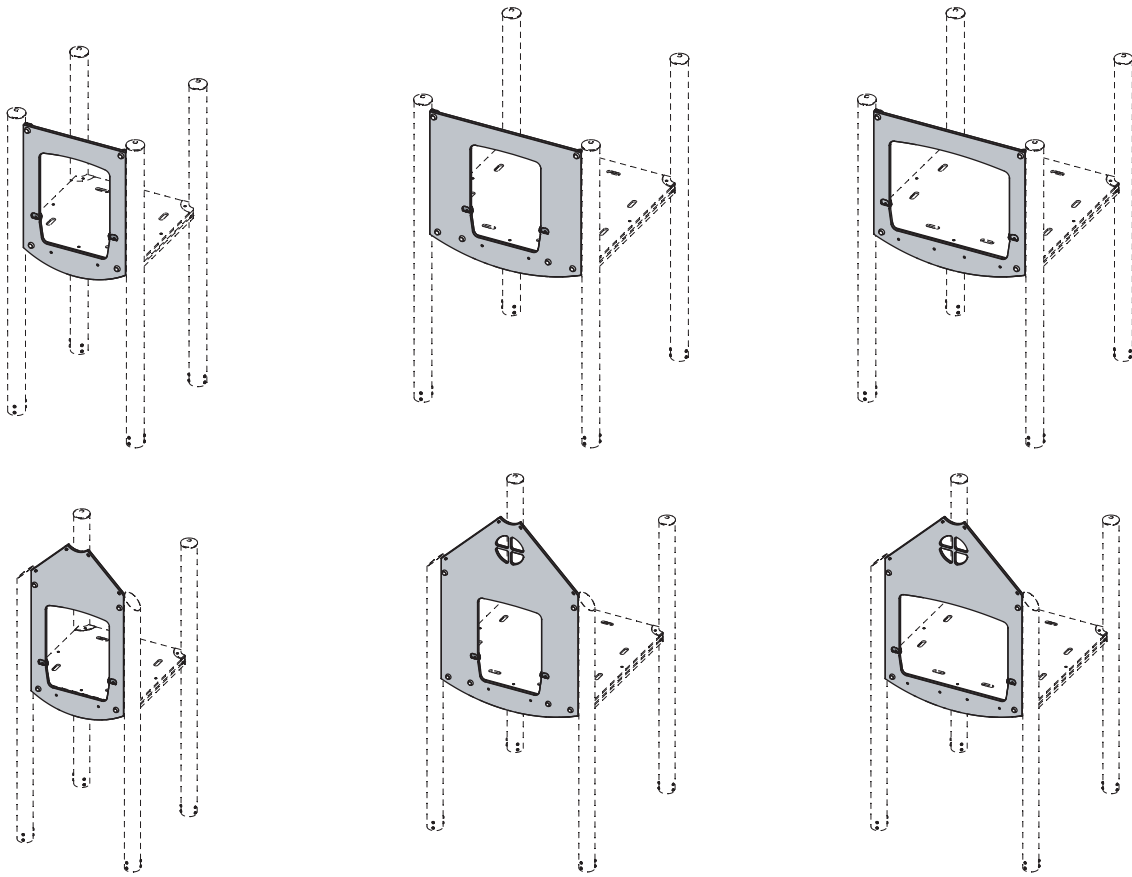




4x A380046-128

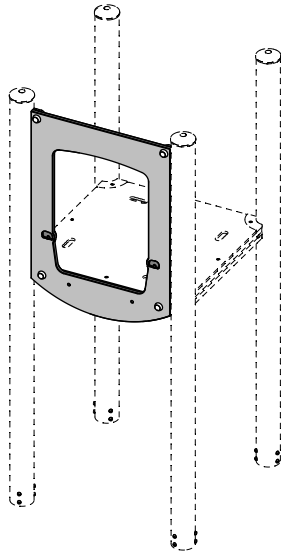


	CP400300-XX	CP40070X-XX	CP401200-XX
	CP40040X-XX	CP40080X-XX	CP401400-XX
CP40010X-XX	CP40050X-XX	CP400900-XX	CP401500-XX
CP40020X-XX	CP400600-XX	CP401100-XX	CP401700-XX

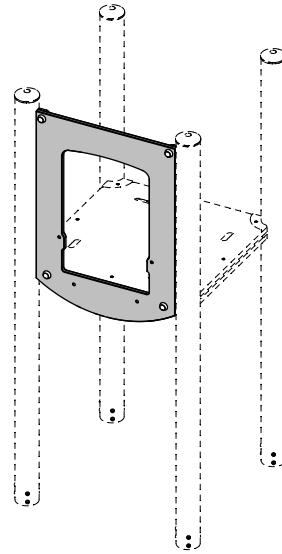




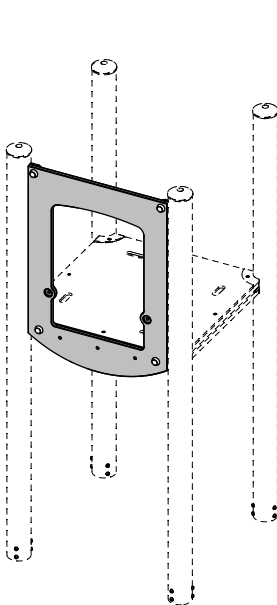
CP40010X



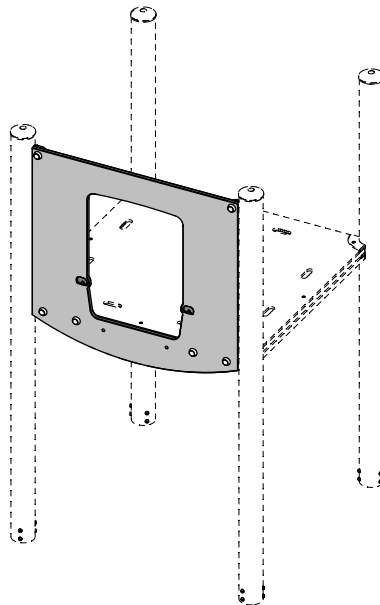
CP40020X



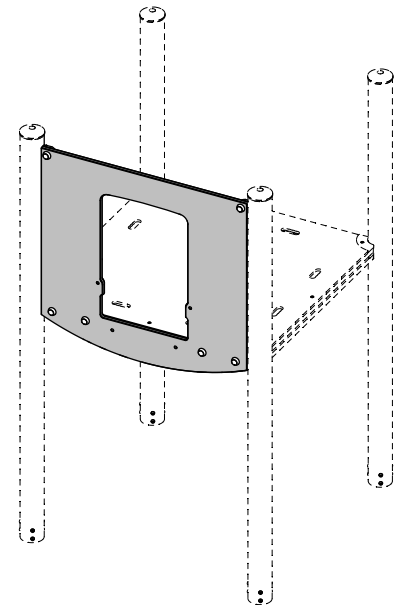
CP400300



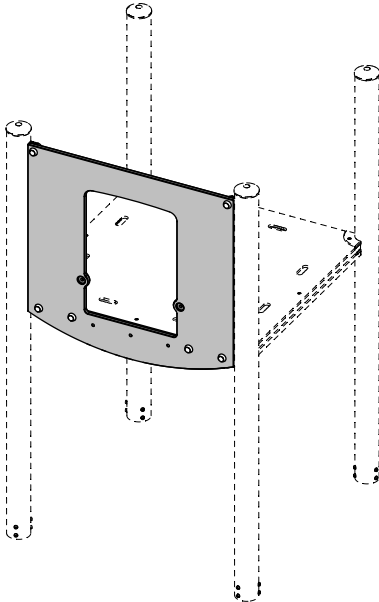
CP40040X



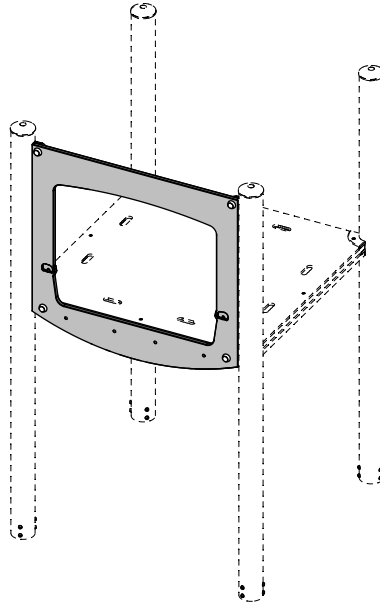
CP40050X



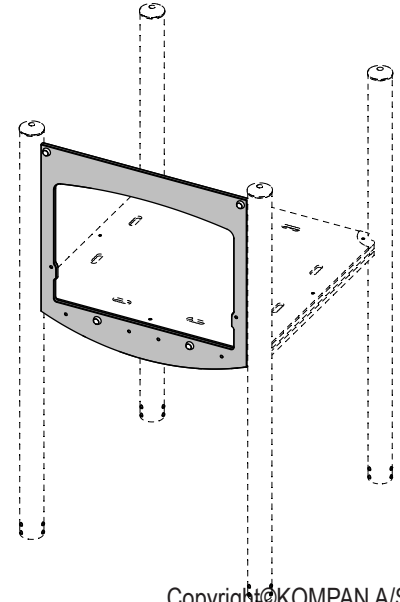
CP400600



CP40070X

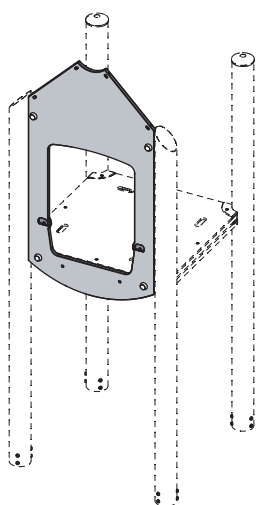


CP40080X

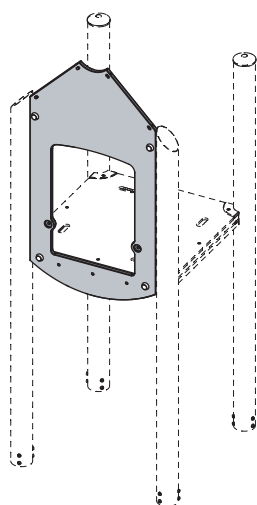




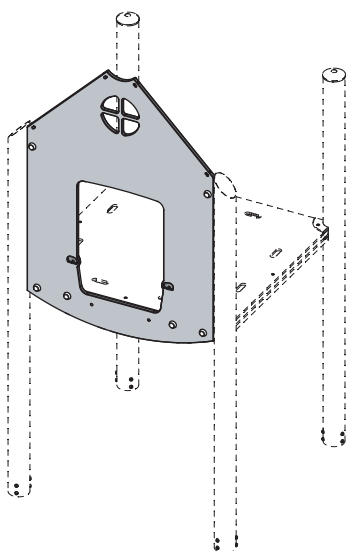
CP400900



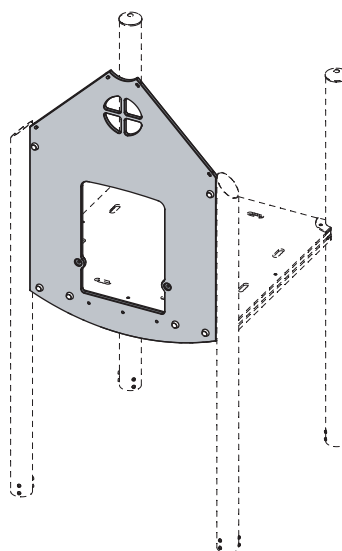
CP401100



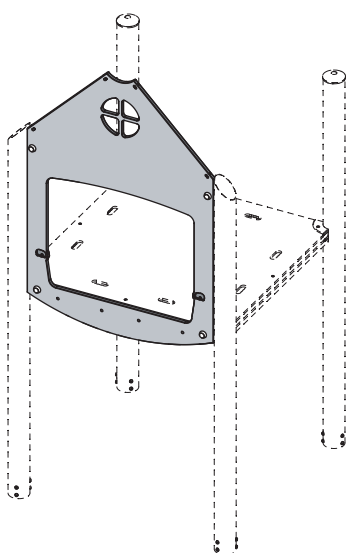
CP401200



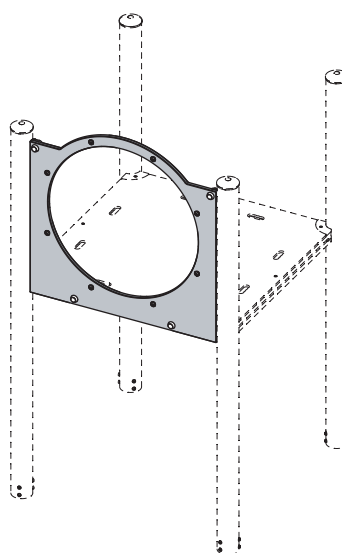
CP401400



CP401500



CP401700



A

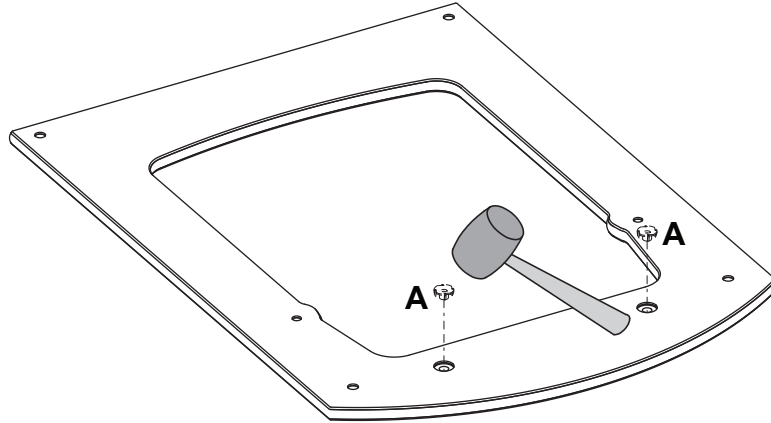


400212



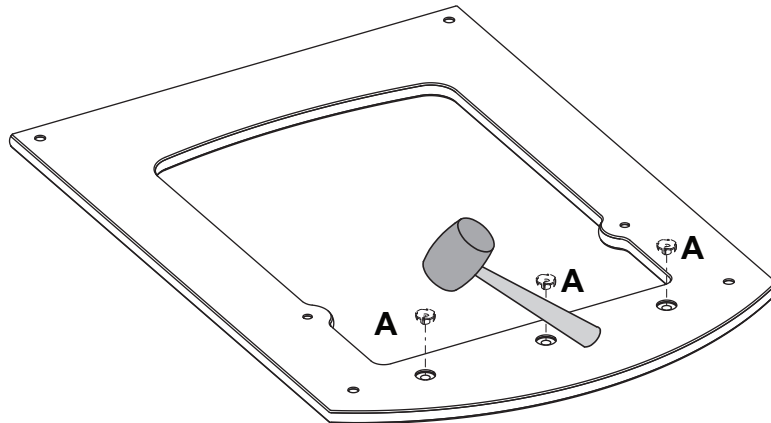
CP40010X
 CP40020X
 CP40040X
 CP40050X
 CP400900
 CP401200

2x 400212



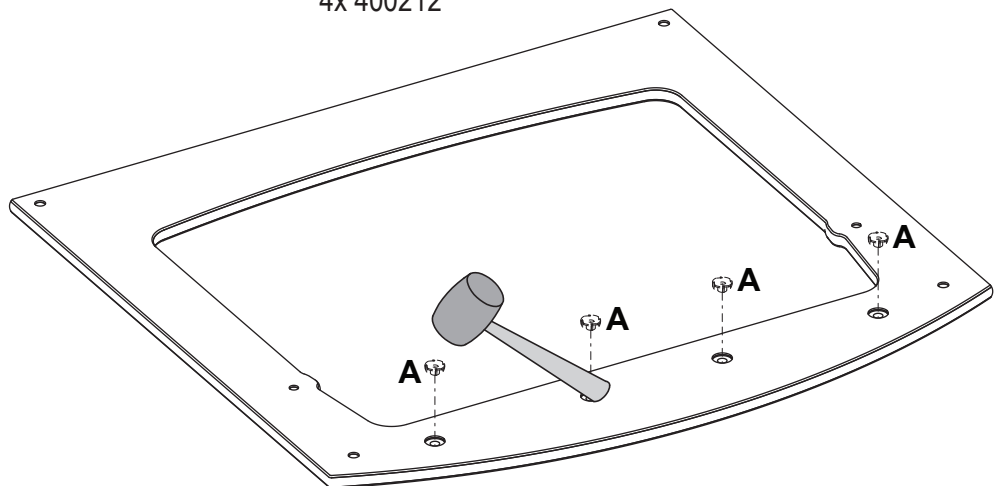
CP400300
 CP400600
 CP401100
 CP401400

3x 400212



CP40070X
 CP40080X
 CP401500

4x 400212



VCP4001XX 20140721 PetrJu



A



A10015-113

B



210100408025

C



201301008016

D



A380030-113

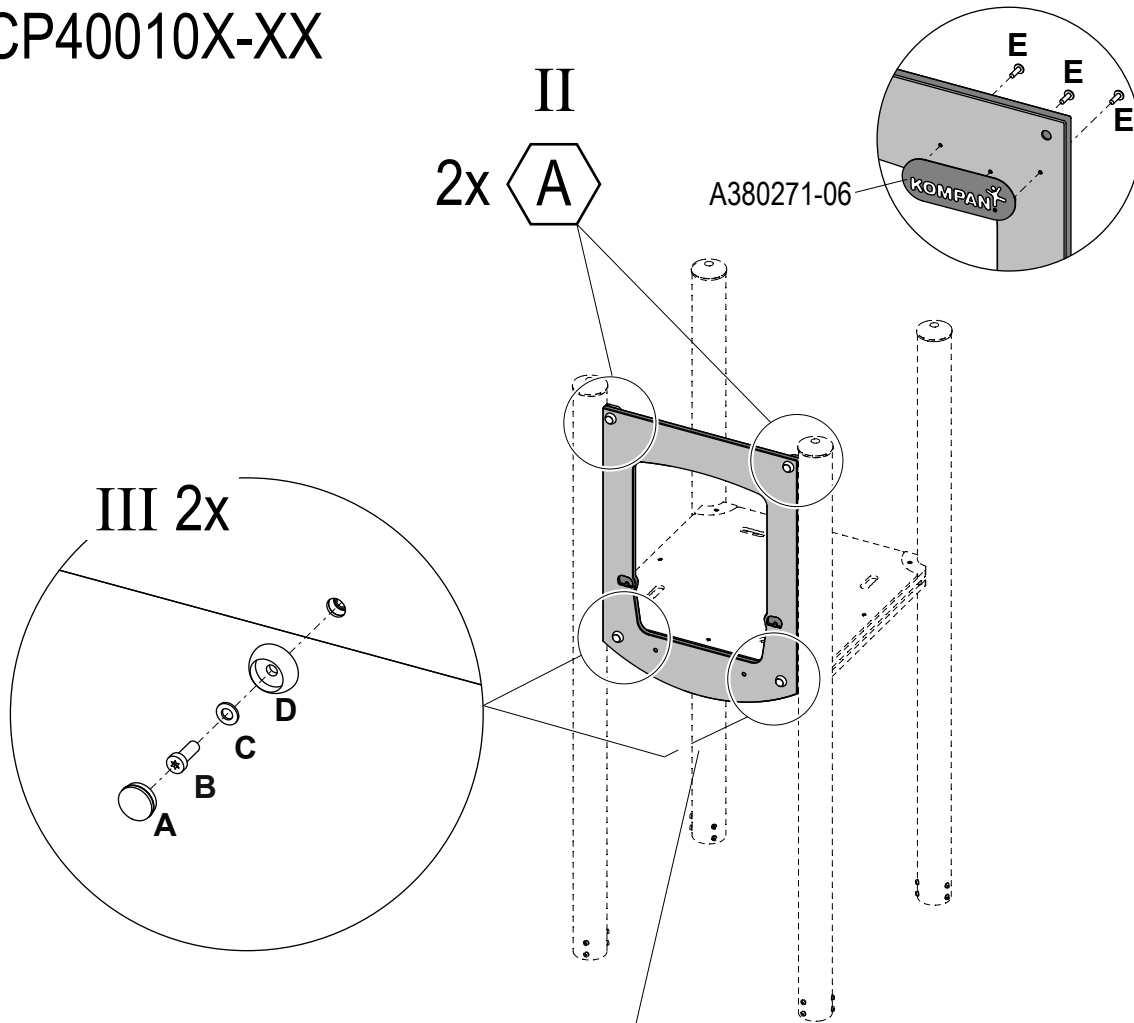
E



320600506020

CP400101-XX

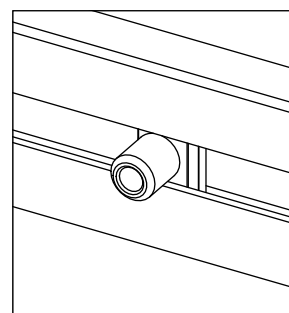
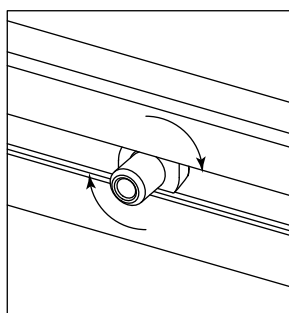
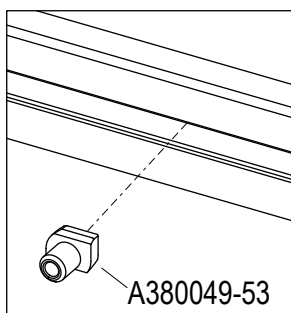
CP40010X-XX



- | | |
|----------------------------|----------------------------|
| B380132-0301 - CP400100-01 | B381186-0301 - CP400101-01 |
| B380132-0309 - CP400100-02 | B381186-0309 - CP400101-02 |
| B380132-0310 - CP400100-03 | B381186-0310 - CP400101-03 |
| B380132-0311 - CP400100-04 | B381186-0311 - CP400101-04 |
| B380132-0323 - CP400100-08 | B381186-0325 - CP400101-11 |
| B380132-0305 - CP400100-10 | B381186-0316 - CP400101-64 |
| B380132-0325 - CP400100-11 | |
| B380132-0308 - CP400100-14 | |
| B380132-0326 - CP400100-15 | |
| B380132-0317 - CP400100-18 | |
| B380132-0316 - CP400100-64 | |



I 2x





A



A10015-113

B



210100408025

C



201301008016

D



A380030-113


E



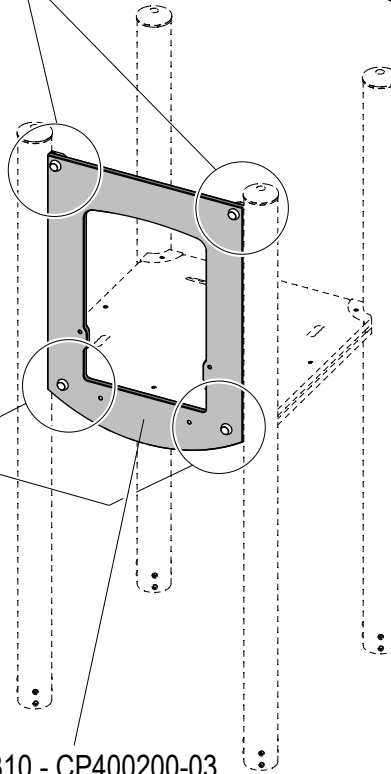
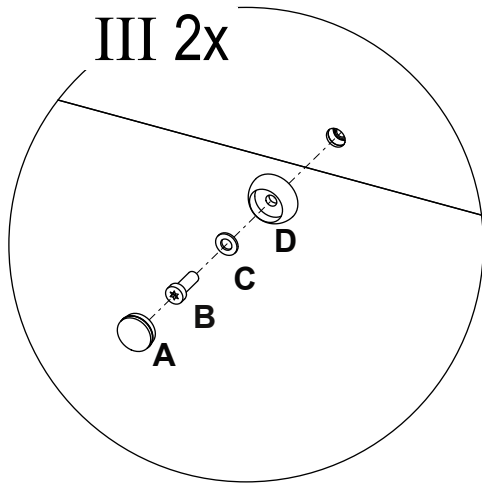
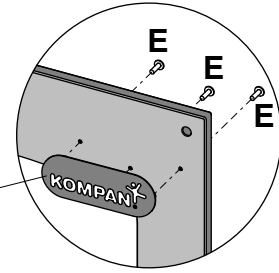
320600506020

CP400201-XX


CP40020X-XX

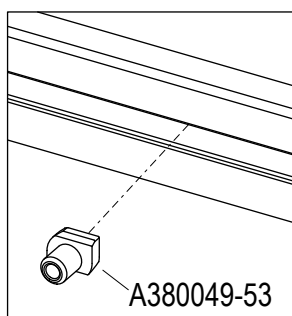
II
2x  A

A380271-06

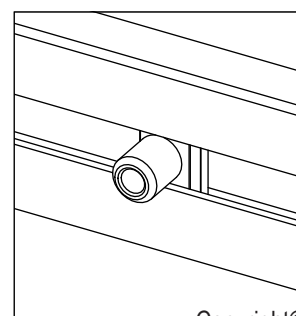
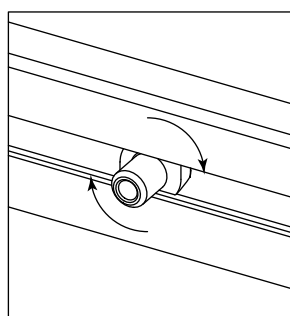


- B380133-0310 - CP400200-03
- B380133-0311 - CP400200-04
- B380133-0305 - CP400200-10
- B380133-0308 - CP400200-14
- B380133-0326 - CP400200-15
- B380133-0317 - CP400200-18
- B380133-0316 - CP400200-64
- B381187-0316 - CP400201-01
- B381187-0309 - CP400201-02
- B381187-0310 - CP400201-03
- B381187-0311 - CP400201-04
- B381187-0325 - CP400201-11
- B381187-0316 - CP400201-64

 I 2x
!!!



A380049-53



Copyright © KOMPAN A/S



A



A10015-113

B



210100408025

C



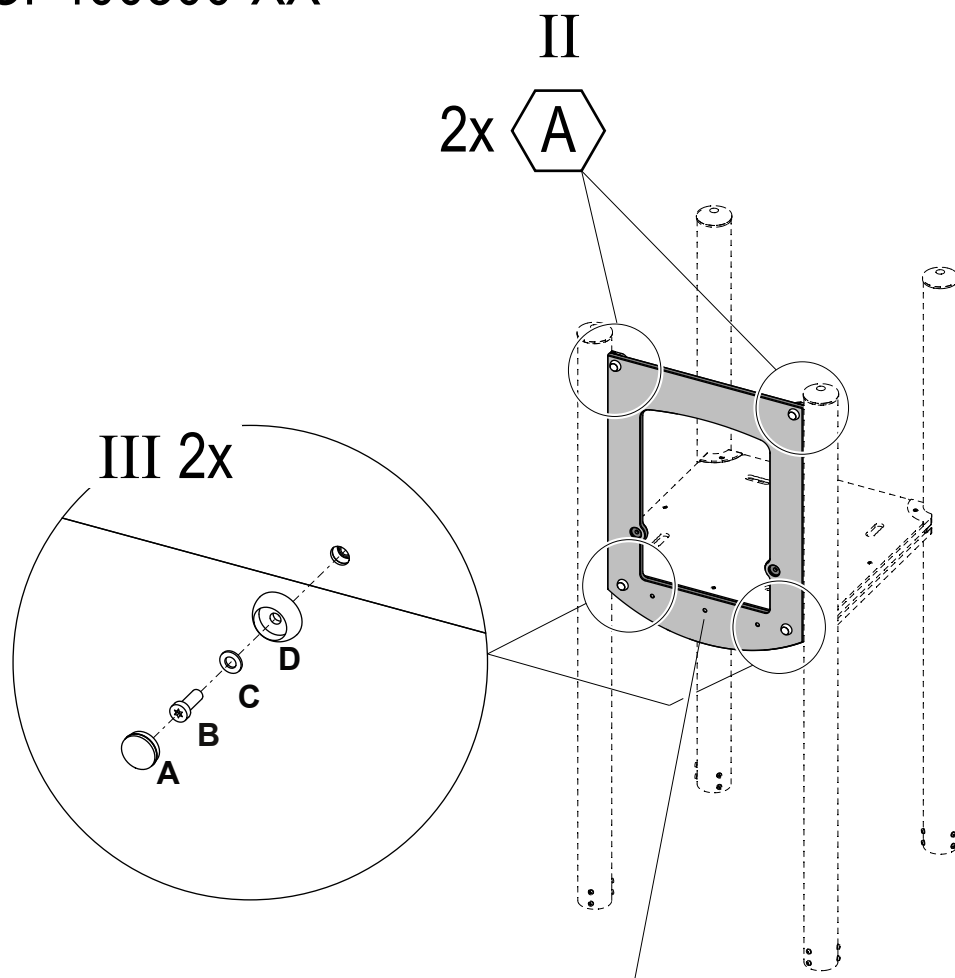
201301008016

D



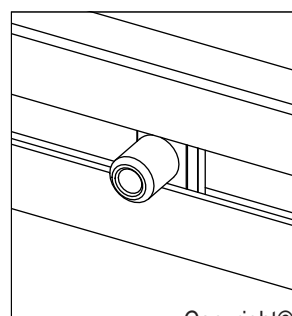
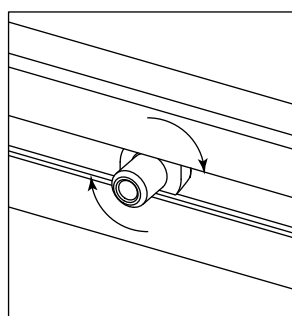
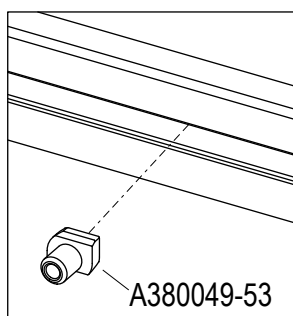
A380030-113

CP400300-XX



- B380134-0301 - CP400300-01
- B380134-0309 - CP400300-02
- B380134-0310 - CP400300-03
- B380134-0305 - CP400300-10
- B380134-0325 - CP400300-11
- B380134-0308 - CP400300-14
- B380134-0326 - CP400300-15
- B380134-0317 - CP400300-18

 I 2x
!!!





A



A10015-113

B



210100408025

C



201301008016

D



A380030-113

E



320600506020

F



250100408040

G



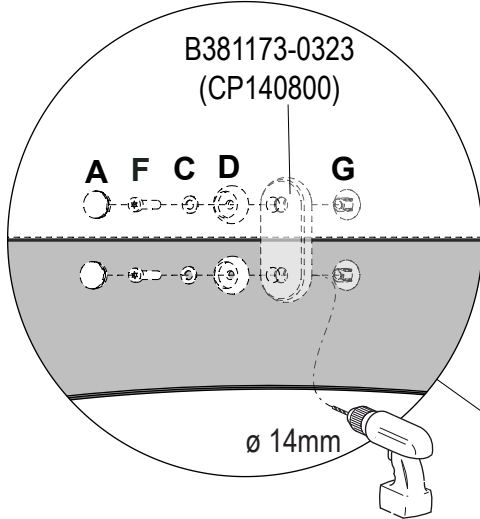
A380025-199

CP40040X-XX

CP400401-XX

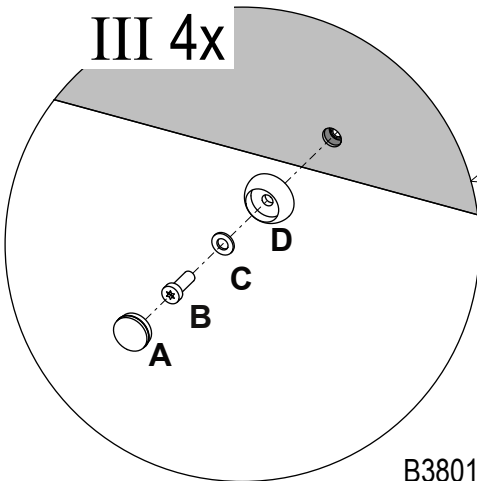
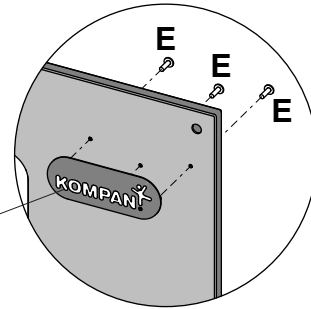
Optional

B381173-0323
(CP140800)



II
2x A

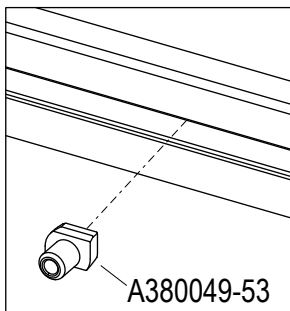
A380271-06



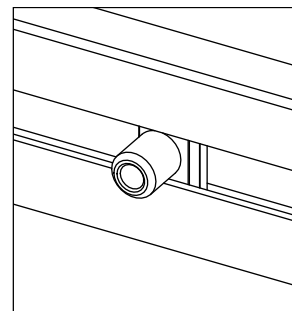
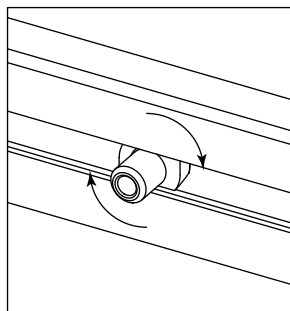
- B380135-0313 - CP400400-00
- B380135-0301 - CP400400-01
- B380135-0309 - CP400400-02
- B380135-0310 - CP400400-03
- B380135-0311 - CP400400-04
- B380135-0325 - CP400400-11
- B380135-0308 - CP400400-14
- B380135-0317 - CP400400-18
- B380135-0316 - CP400400-64

- B381188-0301 - CP400401-01
- B381188-0309 - CP400401-02
- B381188-0310 - CP400401-03
- B381188-0311 - CP400401-04
- B381188-0325 - CP400401-11
- B381188-0316 - CP400401-64

I 4x
!!!



A380049-53



Copyright©KOMPAN A/S



A



A10015-113

B



210100408025

C



201301008016

D



A380030-113

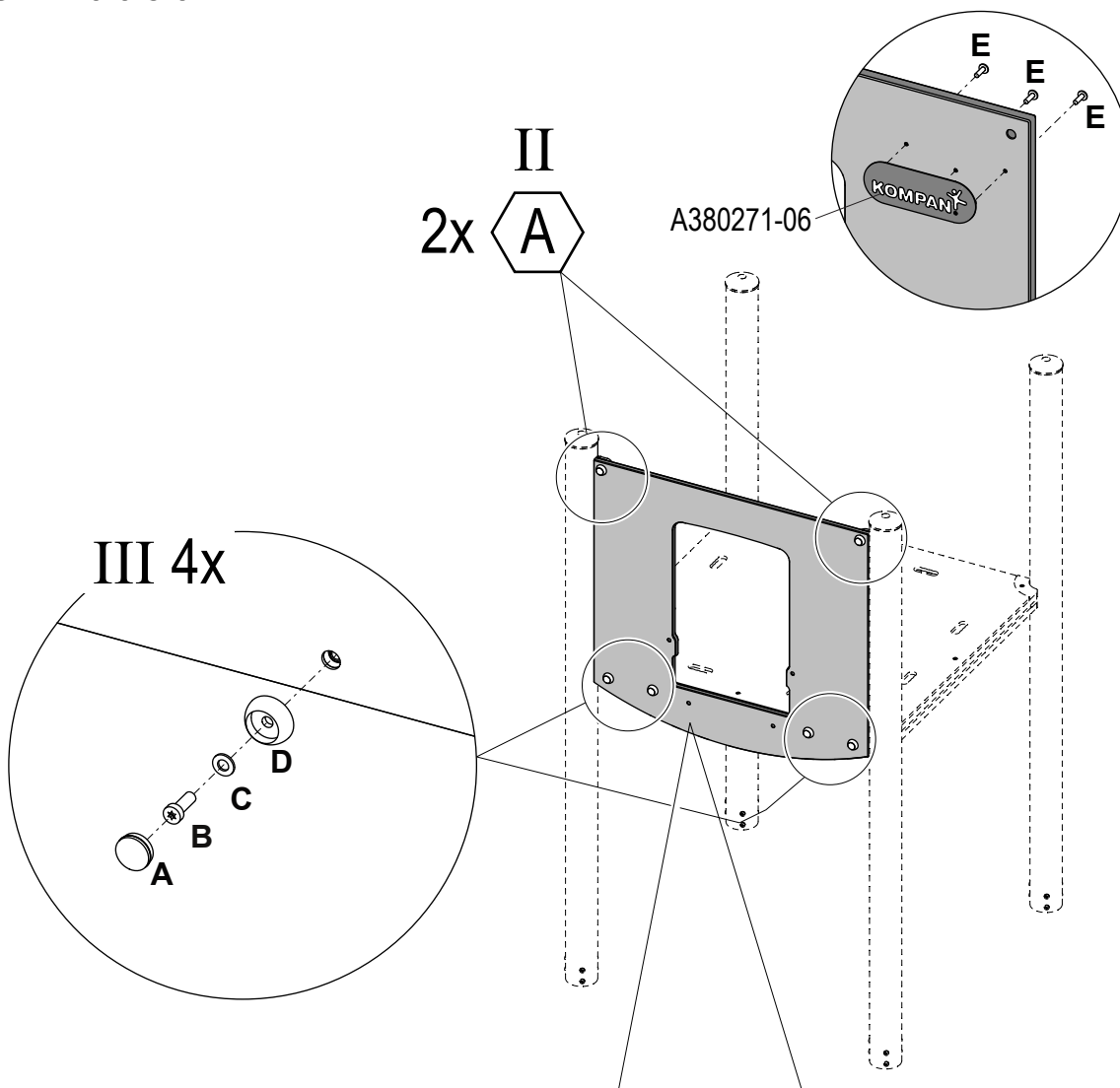
E



320600506020

CP40050X-XX

CP400501-XX



B380136-0313 - CP400500-00

B380136-0310 - CP400500-03

B380136-0311 - CP400500-04

B380136-0308 - CP400500-14

B380136-0317 - CP400500-18

B380136-0316 - CP400500-64

B381189-0301 - CP400501-01

B381189-0309 - CP400501-02

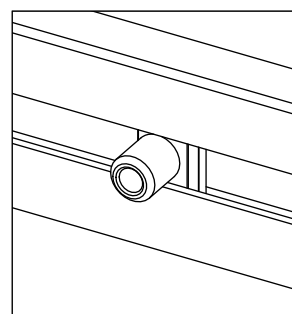
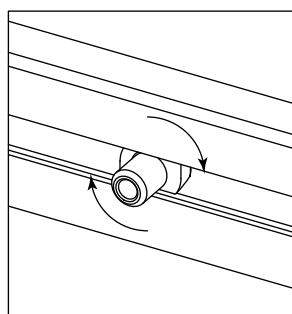
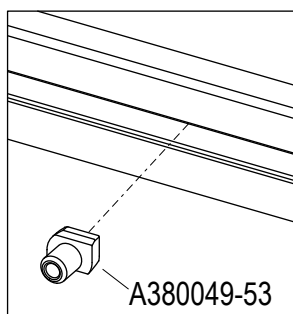
B381189-0310 - CP400501-03

B381189-0311 - CP400501-04

B381189-0325 - CP400501-11

B381189-0316 - CP400501-64

I 4x
!!!





A



A10015-113

B



210100408025

C



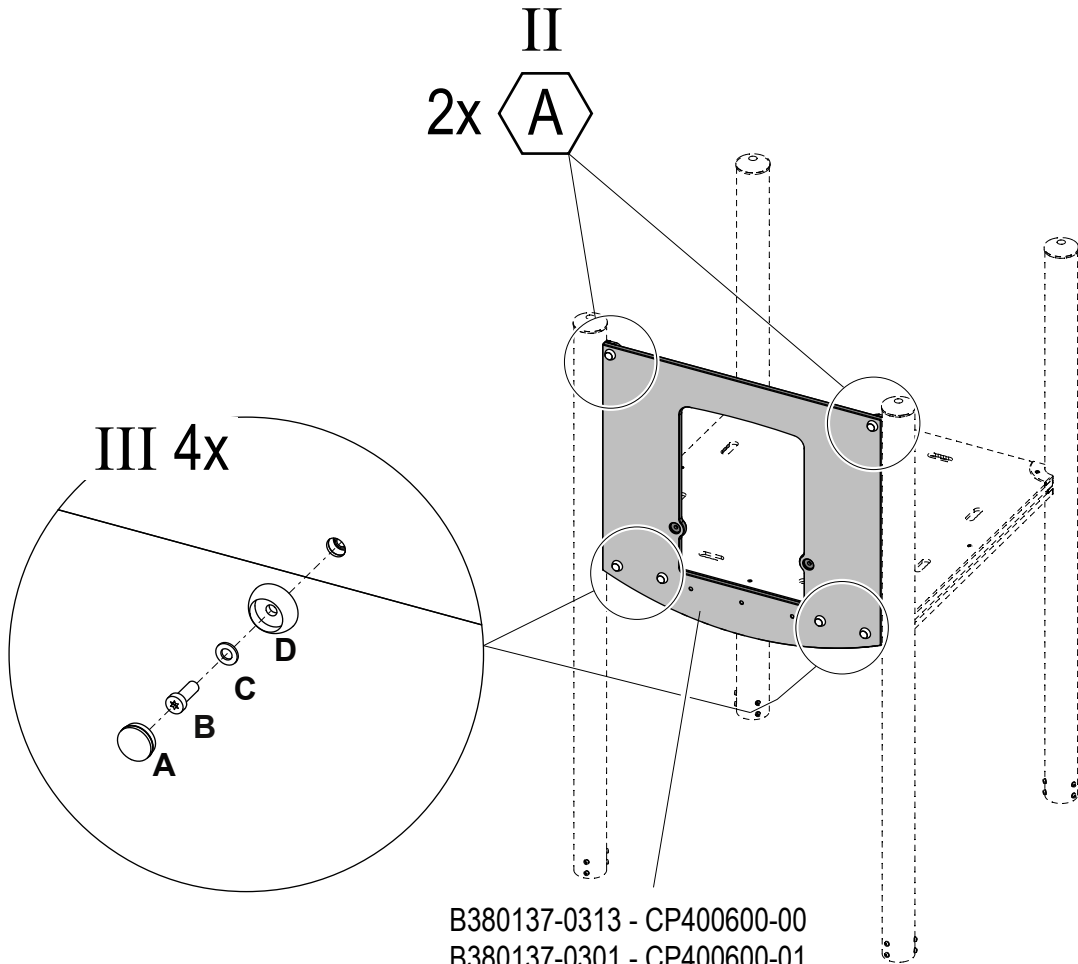
201301008016

D



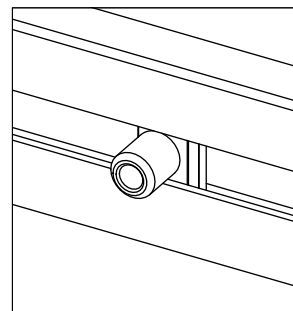
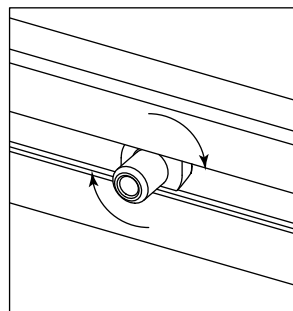
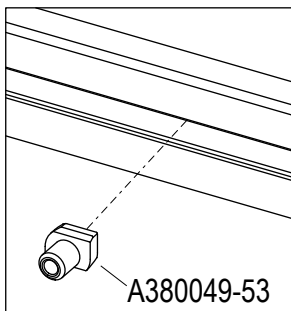
A380030-113

CP400600-XX





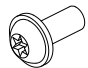
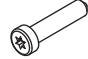



- B380137-0313 - CP400600-00
- B380137-0301 - CP400600-01
- B380137-0309 - CP400600-02
- B380137-0305 - CP400600-10
- B380137-0325 - CP400600-11
- B380137-0308 - CP400600-14
- B380137-0326 - CP400600-15
- B380137-0317 - CP400600-18

 I 4x
!!!

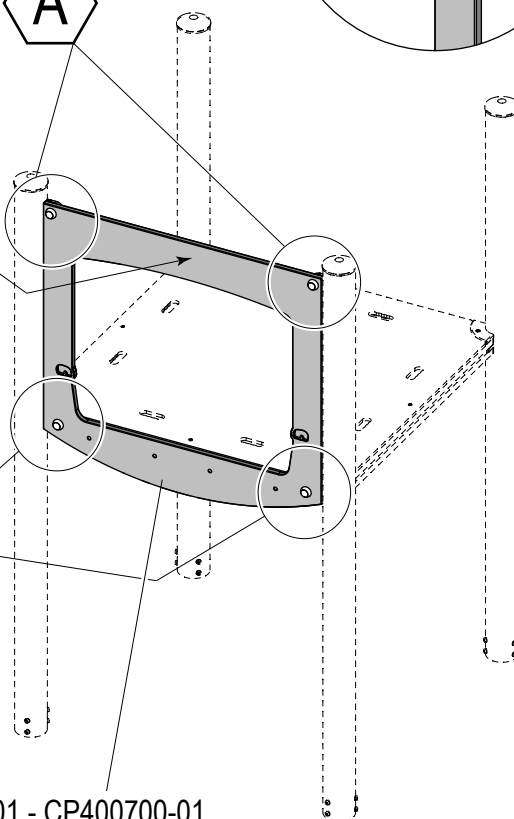
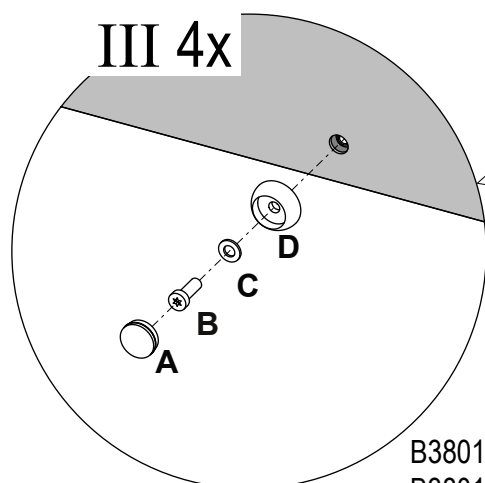
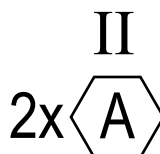
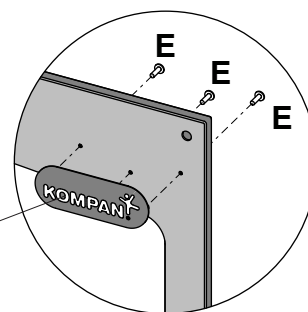
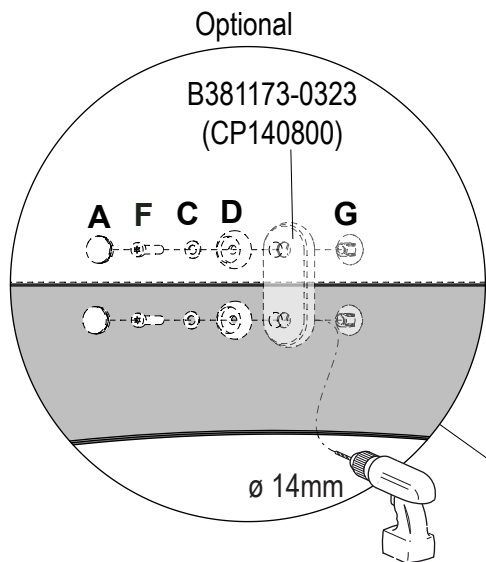




- A

A10015-113
- B

210100408025
- C

201301008016
- D

A380030-113
- E

320600506020
- F

250100408040
- G

A380025-199

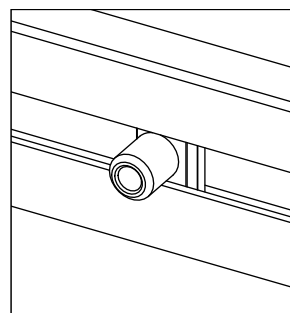
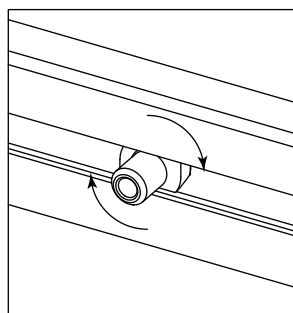
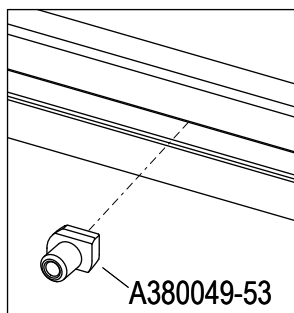
CP40070X-XX

CP400701-XX



- | | |
|----------------------------|----------------------------|
| B380138-0301 - CP400700-01 | B381190-0301 - CP400701-01 |
| B380138-0309 - CP400700-02 | B381190-0309 - CP400701-02 |
| B380138-0310 - CP400700-03 | B381190-0310 - CP400701-03 |
| B380138-0311 - CP400700-04 | B381190-0311 - CP400701-04 |
| B380138-0305 - CP400700-10 | B381190-0325 - CP400701-11 |
| B380138-0325 - CP400700-11 | B381190-0316 - CP400701-64 |
| B380138-0326 - CP400700-15 | |
| B380138-0317 - CP400700-18 | |
| B380138-0316 - CP400700-64 | |

 I 4x
!!!





A



A10015-113

B



210100408025

C



201301008016

D



A380030-113

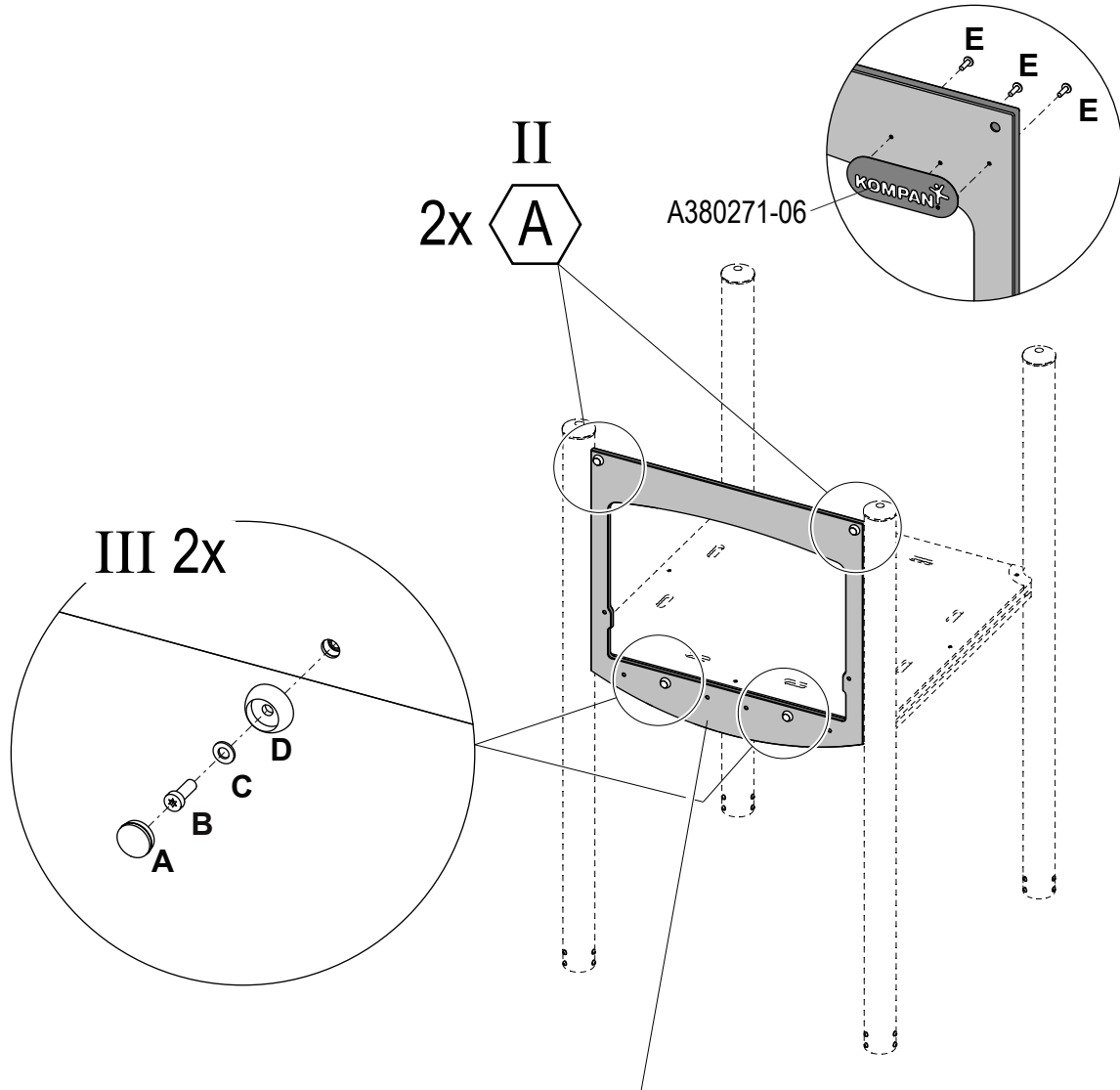
E



320600506020

CP40080X-XX

CP400801-XX

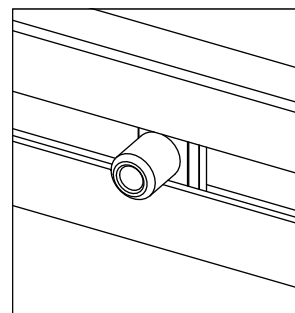
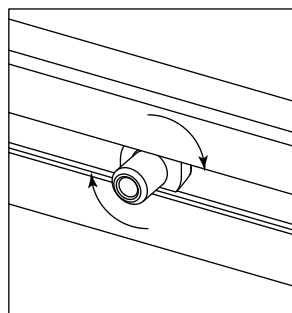
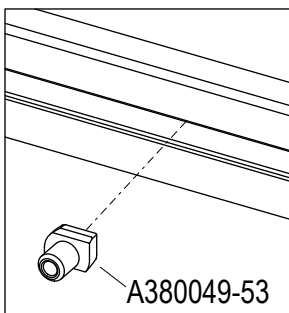


- | | |
|----------------------------|----------------------------|
| B380139-0310 - CP400800-03 | B381191-0301 - CP400801-01 |
| B380139-0311 - CP400800-04 | B381191-0309 - CP400801-02 |
| B380139-0305 - CP400800-10 | B381191-0310 - CP400801-03 |
| B380139-0308 - CP400800-14 | B381191-0311 - CP400801-04 |
| B380139-0326 - CP400800-15 | B381191-0325 - CP400801-11 |
| B380139-0317 - CP400800-18 | B381191-0316 - CP400801-64 |
| B380139-0316 - CP400800-64 | |



!!!

I 4x





A



A10015-113

B



210100408025

C



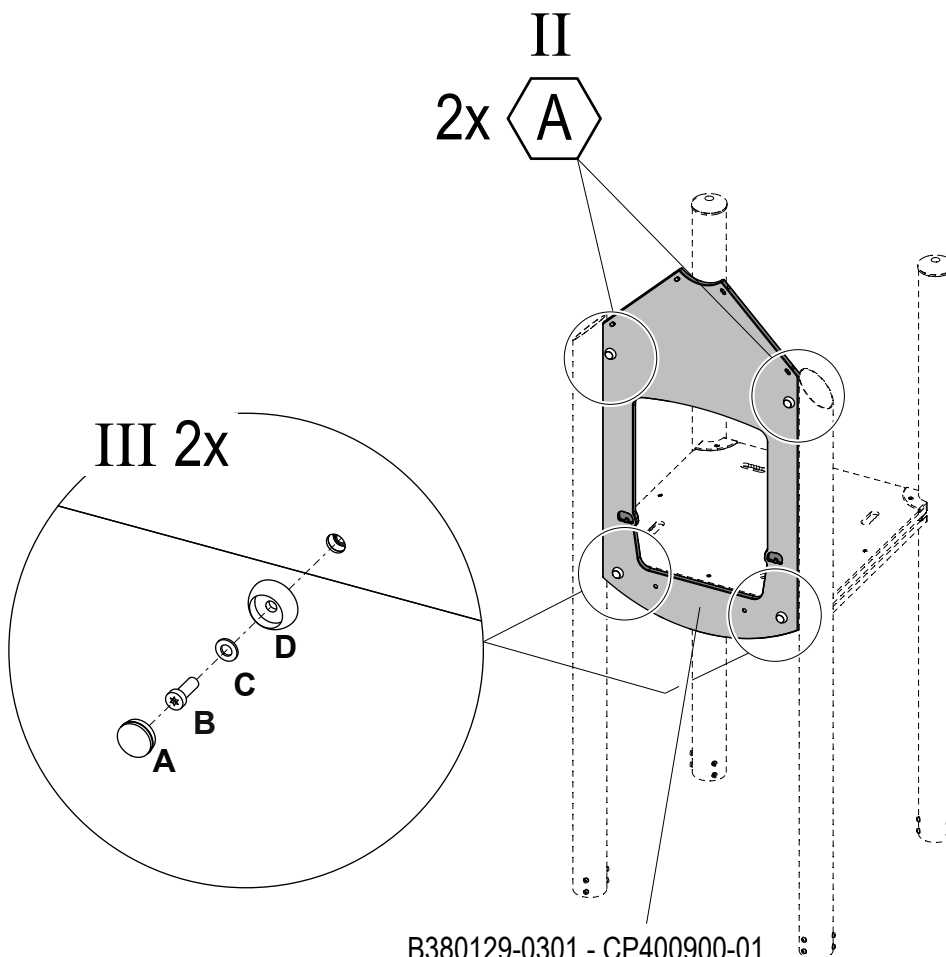
201301008016

D



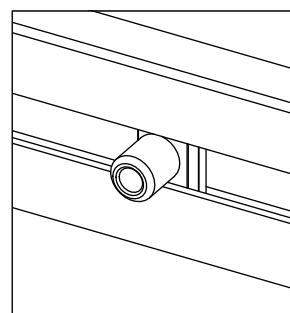
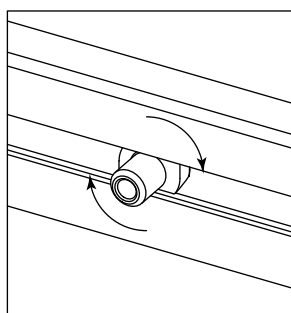
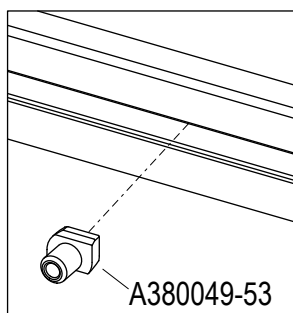
A380030-113

CP400900-XX CP401100-XX



- B380129-0301 - CP400900-01
- B380129-0309 - CP400900-02
- B380129-0325 - CP400900-11
- B380131-0301 - CP401100-01
- B380131-0309 - CP401100-02
- B380131-0325 - CP401100-11

I 2x
!!!





A



A10015-113

B



210100408025

C



201301008016

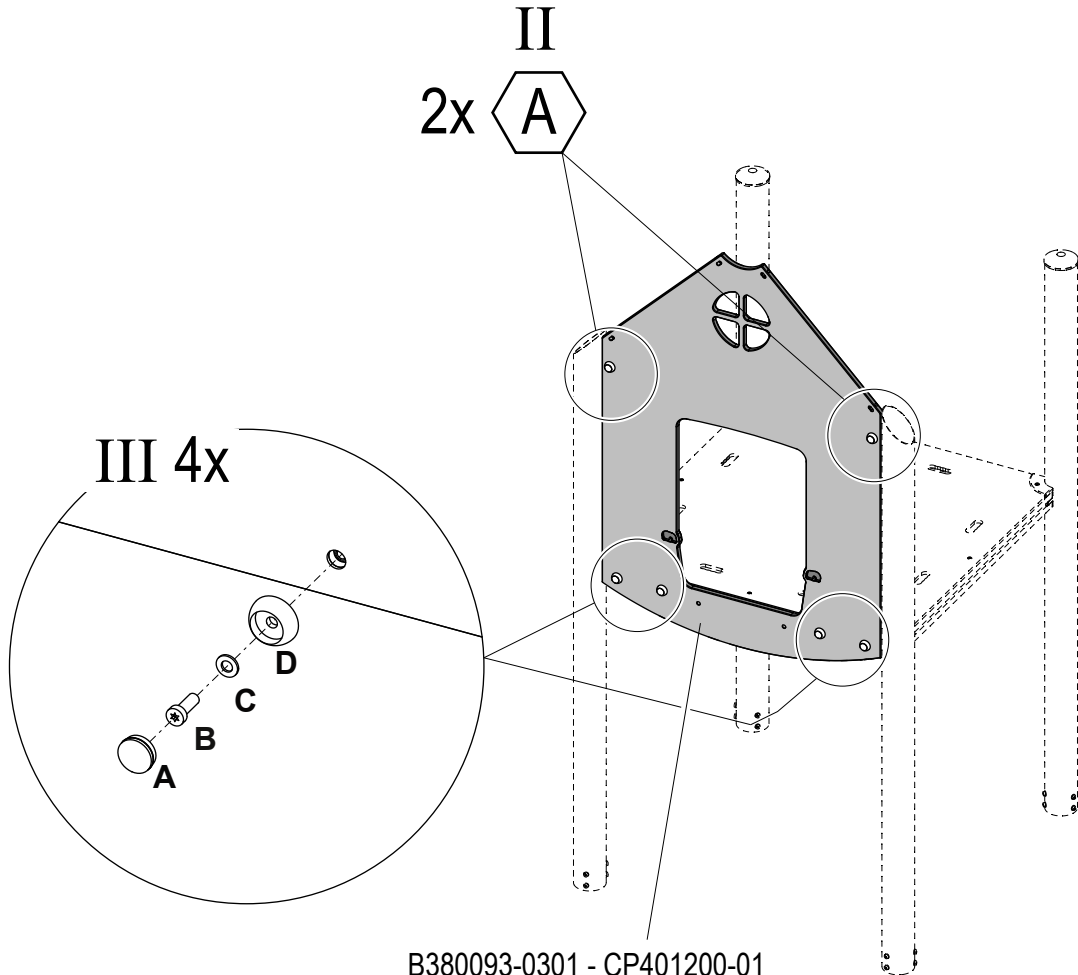
D




A380030-113

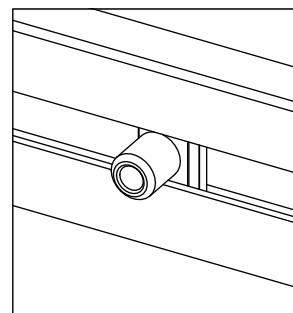
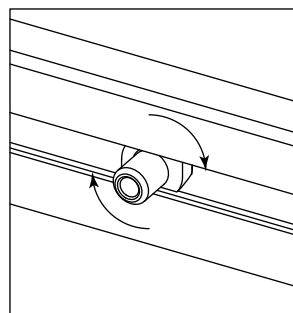
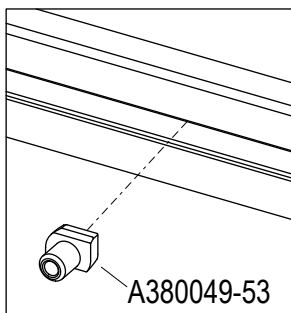
CP401200-XX

CP401400-XX



- B380093-0301 - CP401200-01
- B380093-0309 - CP401200-02
- B380093-0325 - CP401200-11
- B380126-0301 - CP401400-01
- B380126-0309 - CP401400-02
- B380126-0325 - CP401400-11

 **I 4x**
!!!





A



A10015-113

B



210100408025

C



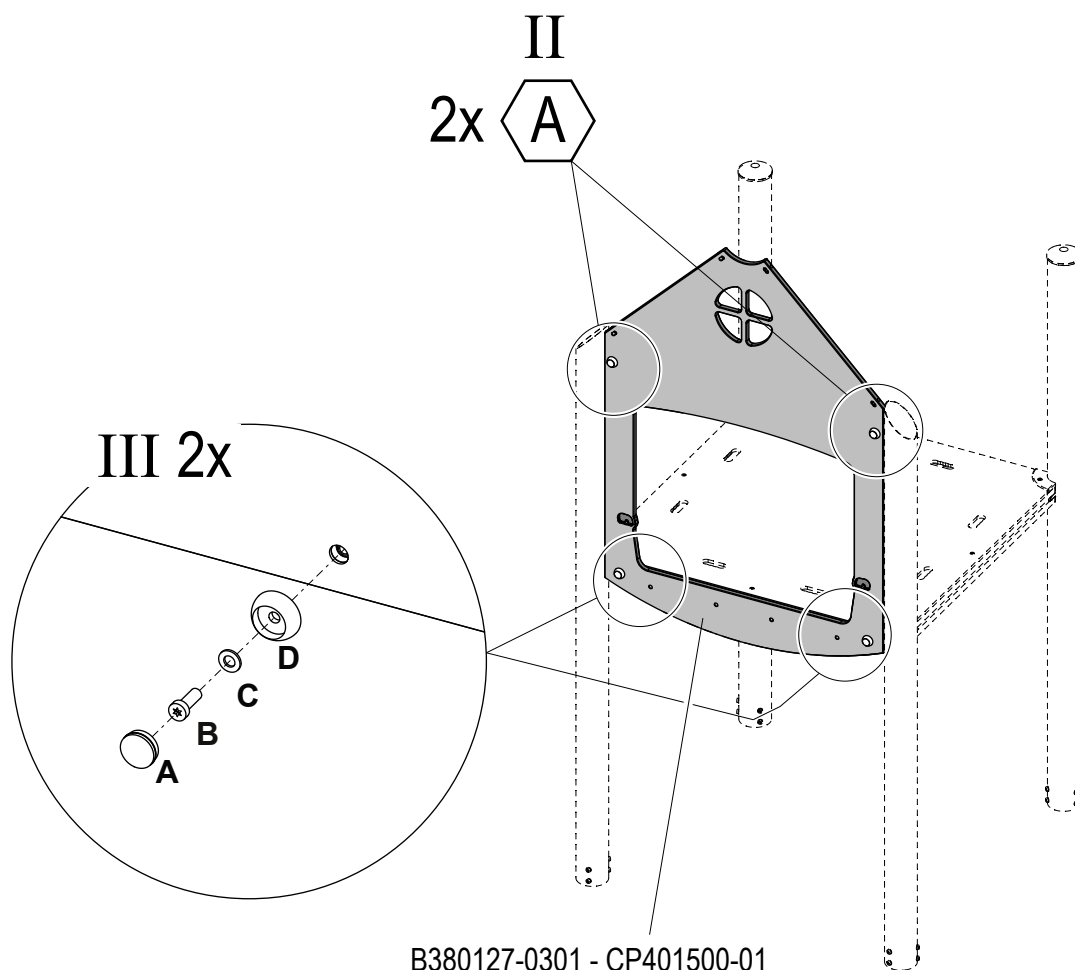
201301008016

D



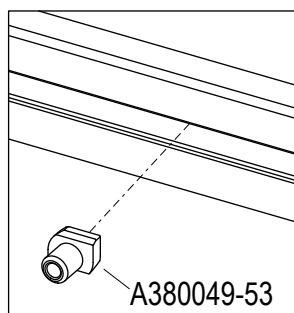
A380030-113

CP401500-XX

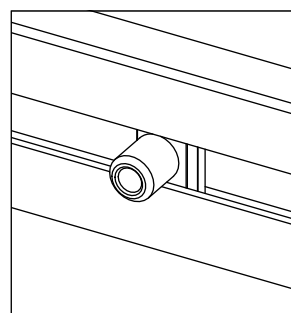
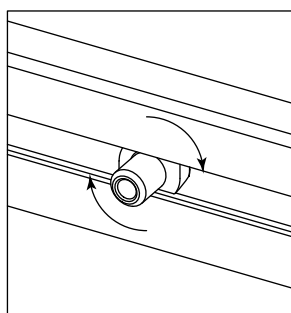


B380127-0301 - CP401500-01
B380127-0309 - CP401500-02
B380127-0325 - CP401500-11

 I 2x



A380049-53





A



A10015-113

B



210100408025

C



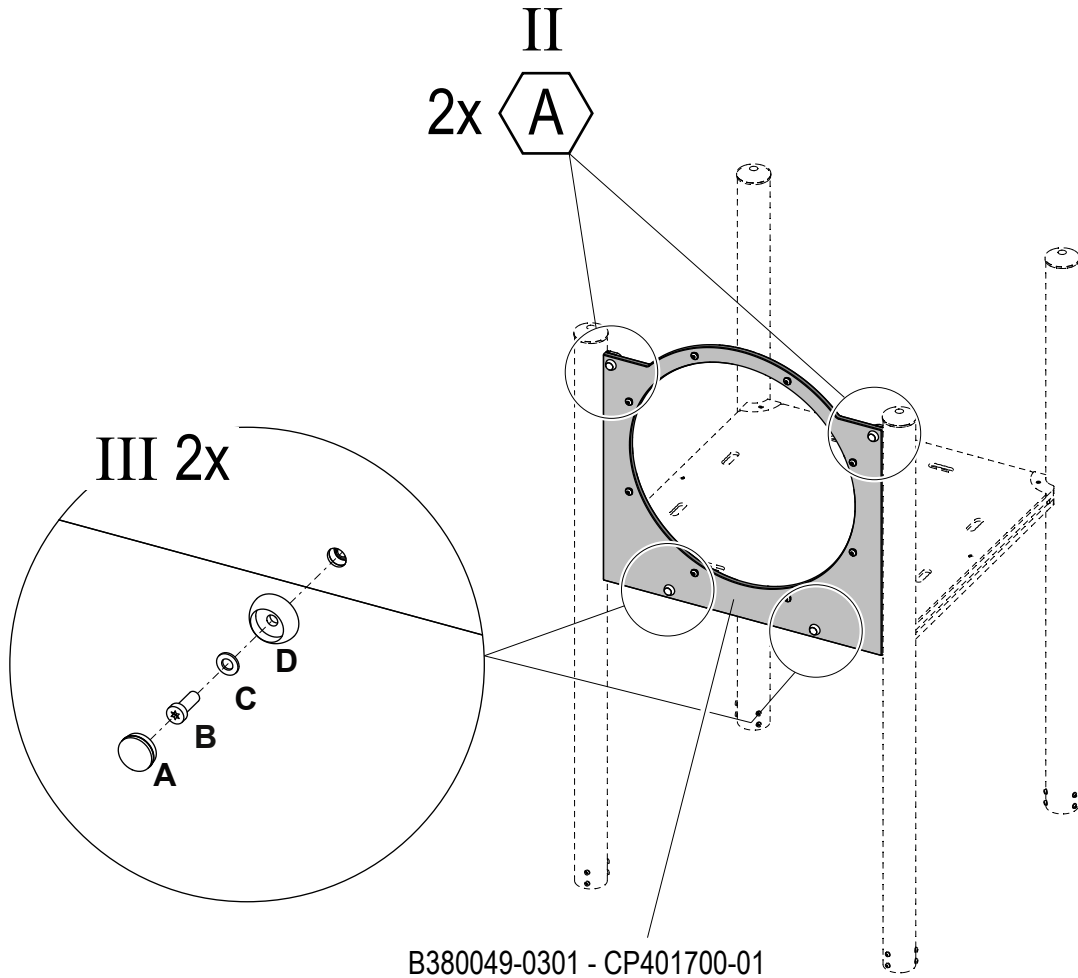
201301008016

D



A380030-113

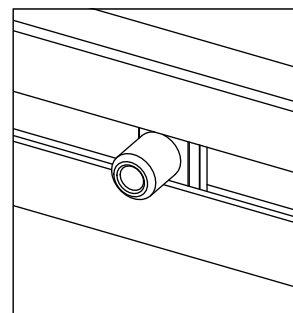
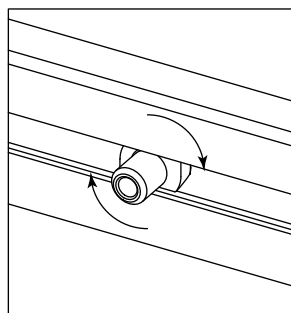
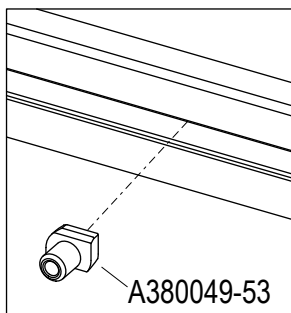
CP401700-XX



B380049-0301 - CP401700-01
 B380049-0309 - CP401700-02
 B380049-0325 - CP401700-11



I 2x



KOMPAN!

CP402100-00

CP402100-64

CP402100-01

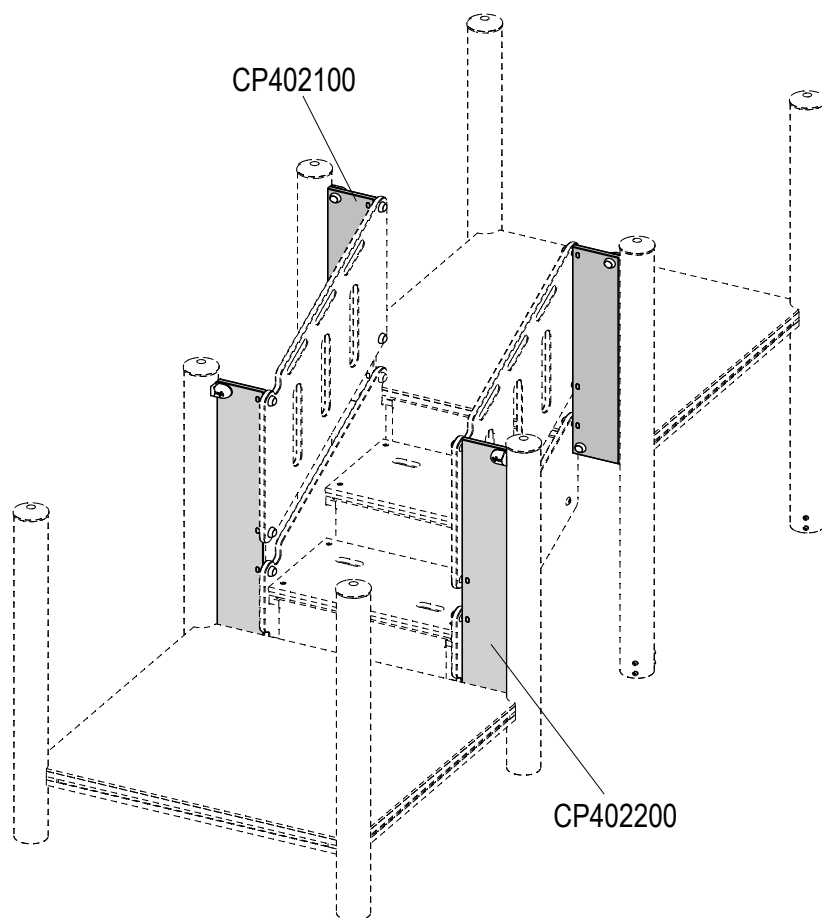
CP402200-01

CP402100-02

CP402200-02

CP402100-11

CP402200-11





A



A10015-113

B



210100408025

C



201301008016

D

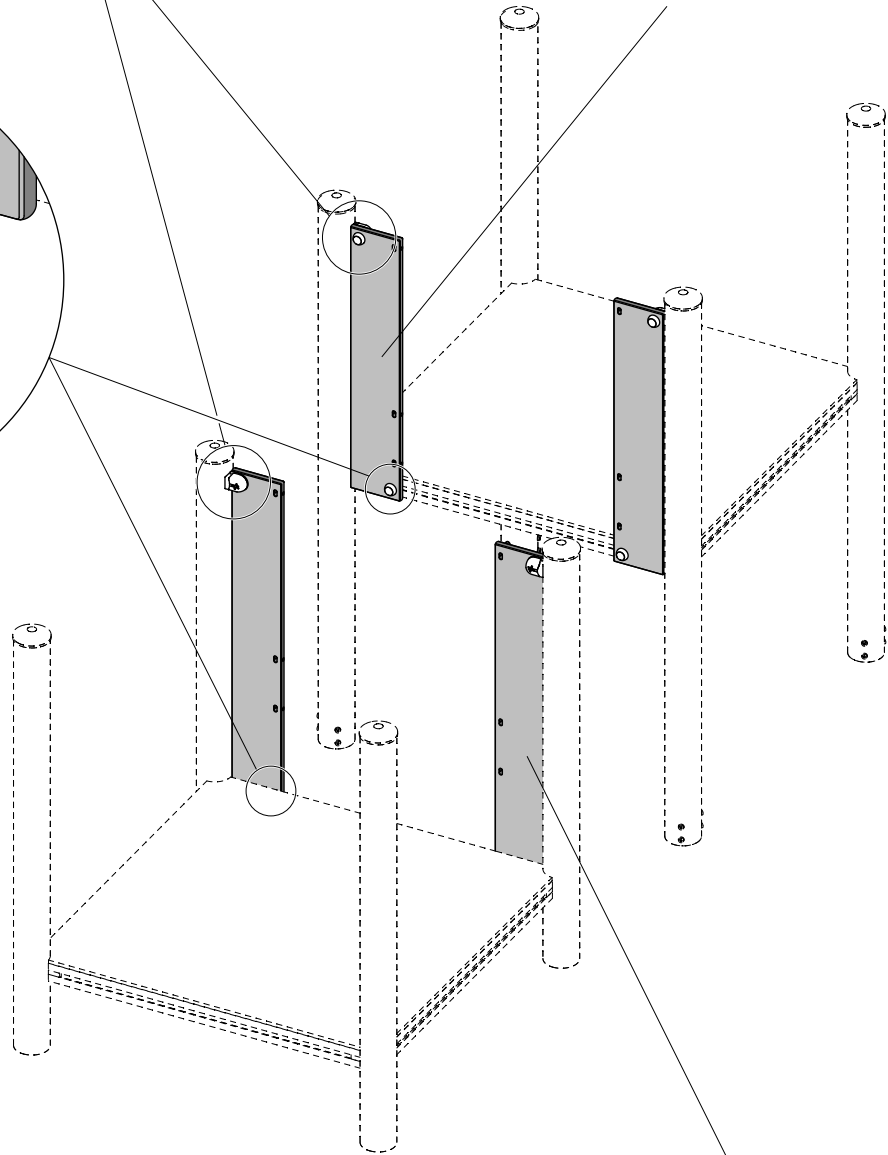
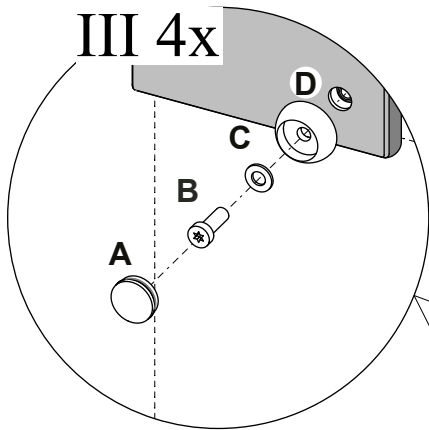


A380030-113

II 4x **A** A380030-113
A10015-113

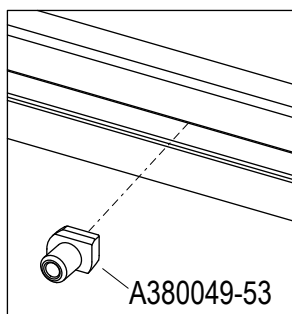
B380072-0313 - CP402100-00
B380072-0301 - CP402100-01
B380072-0309 - CP402100-02
B380072-0325 - CP402100-11
B380072-0316 - CP402100-64

III 4x

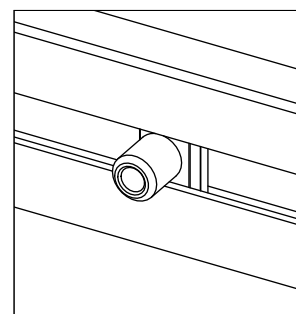
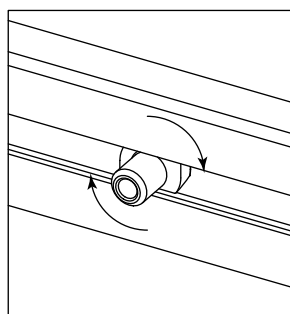


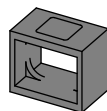
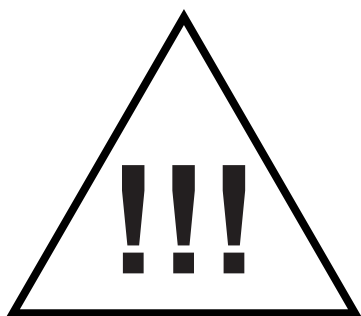
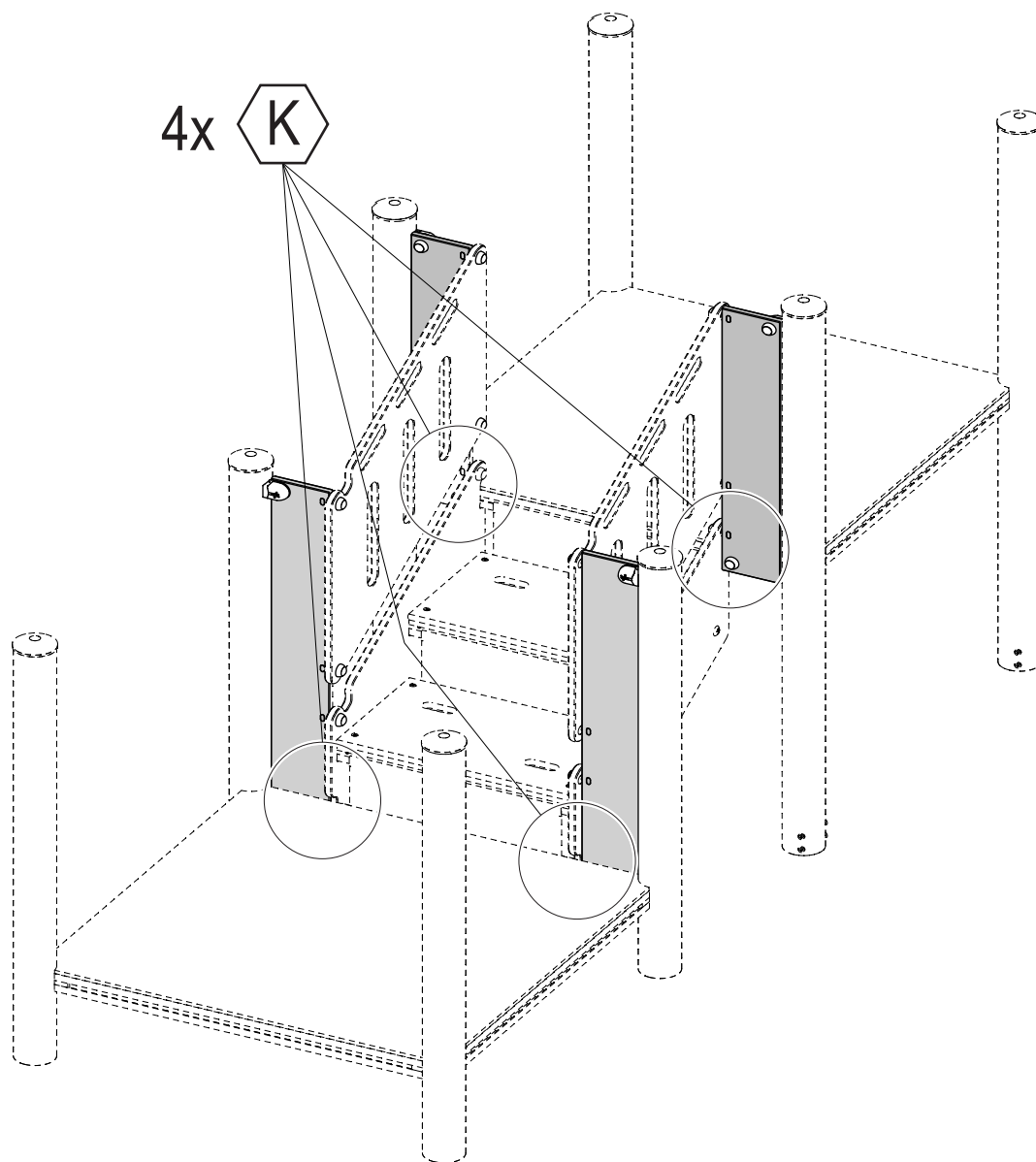
I 4x
!!!

B380073-0301 - CP402200-01
B380073-0309 - CP402200-02
B380073-0325 - CP402200-11



A380049-53





A380701-113

KOMPAN!

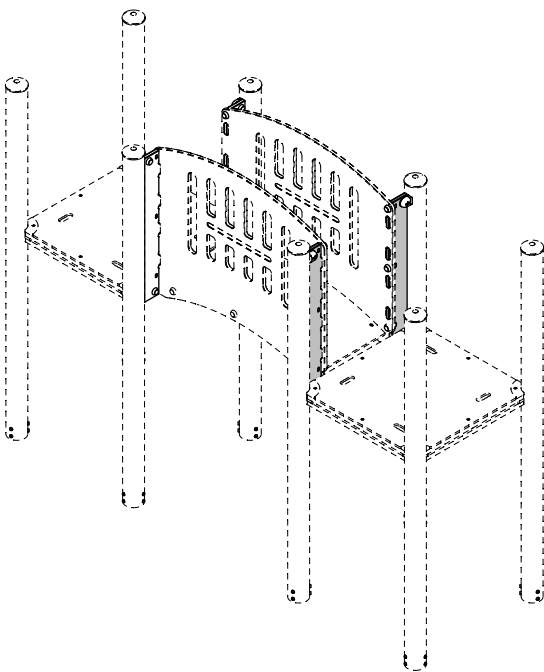
CP402500-01 CP402600-01

CP402500-02 CP402600-02

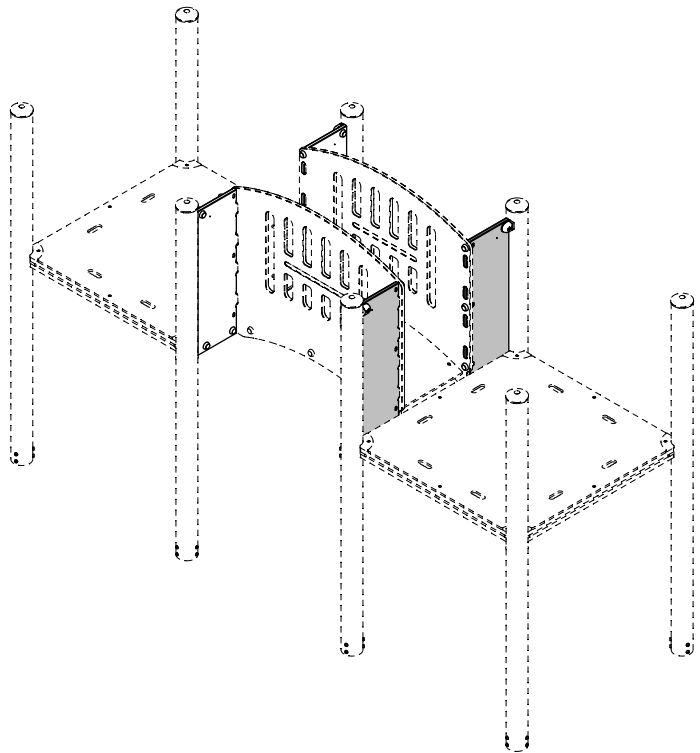
CP402500-11 CP402600-08

CP402600-11

CP402500



CP402600





A



A10015-113

B



210100408025

C



201301008016

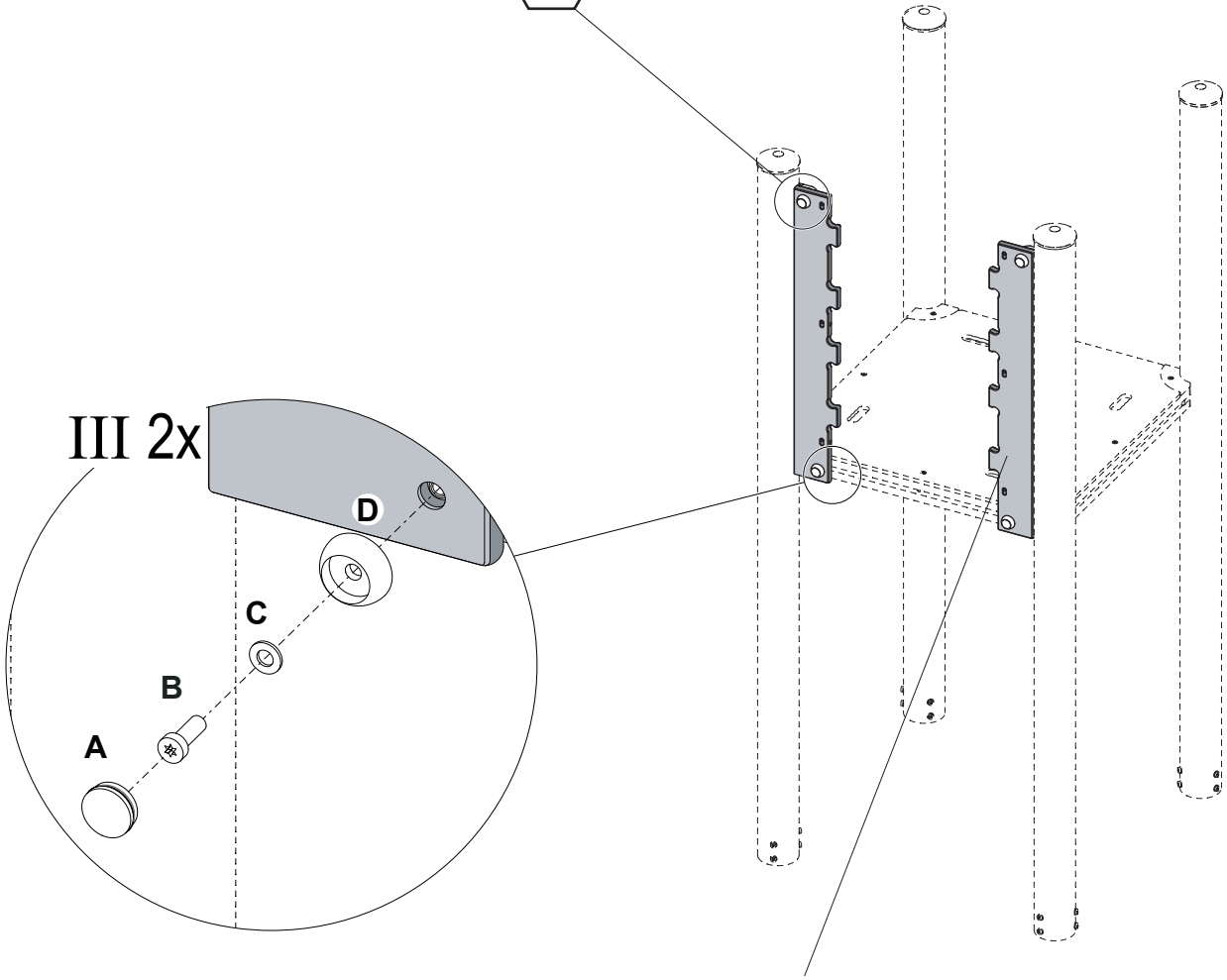
D



A380030-113

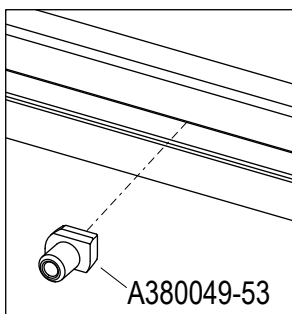
CP402500

II
2x

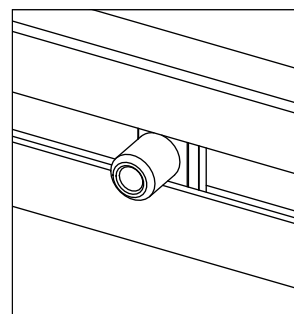
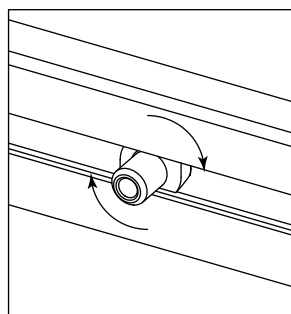


B380079-0301 - CP402500-01
B380079-0309 - CP402500-02
B380079-0325 - CP402500-11

I 2x
!!!



A380049-53





A



A10015-113

B



210100408025

C



201301008016

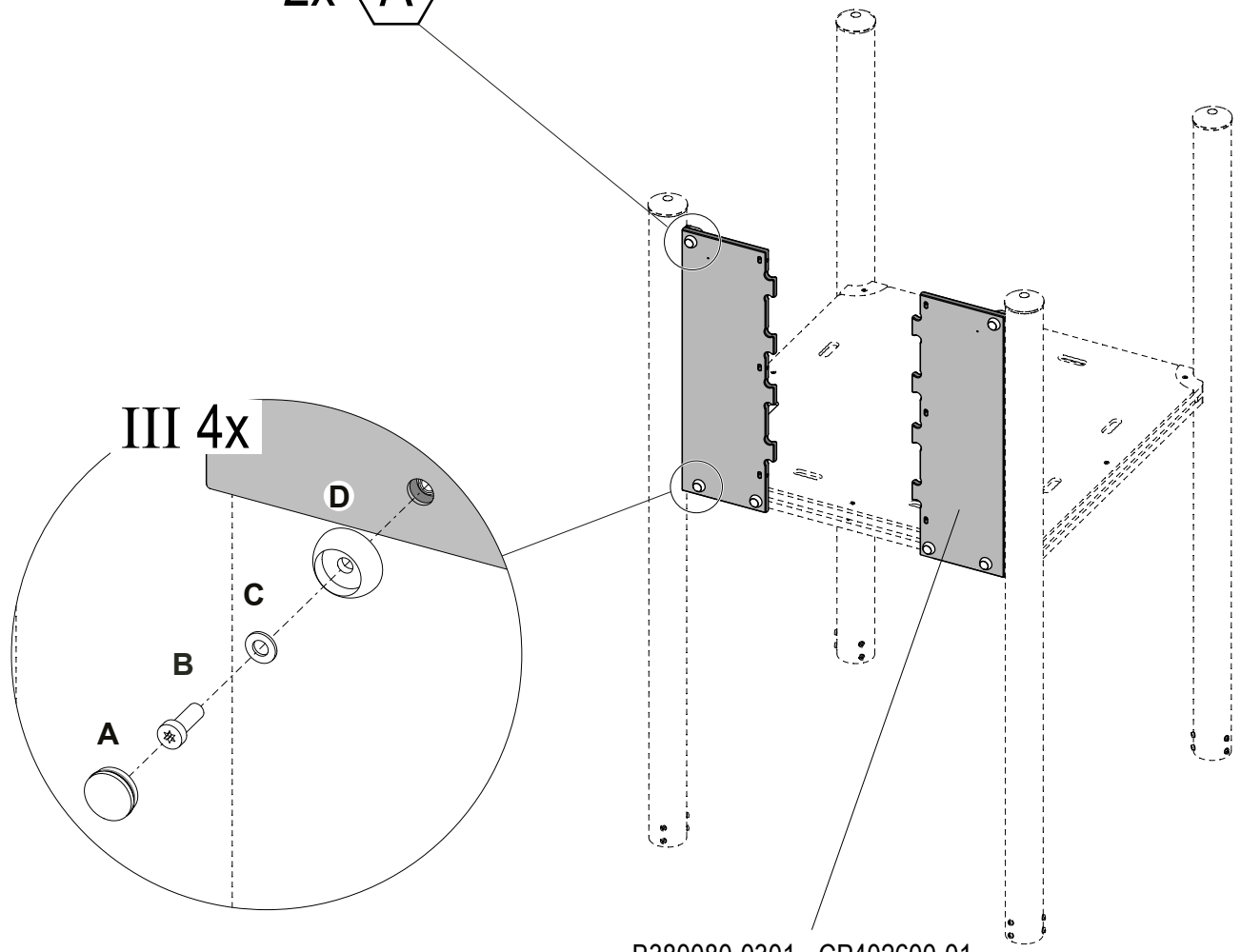
D



A380030-113

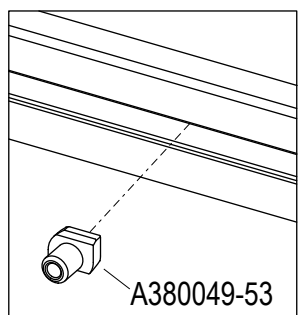
CP402600

II
2x

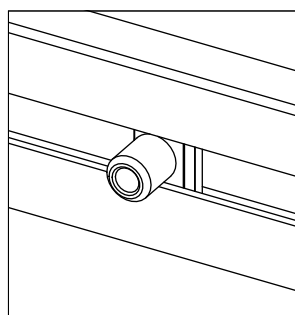
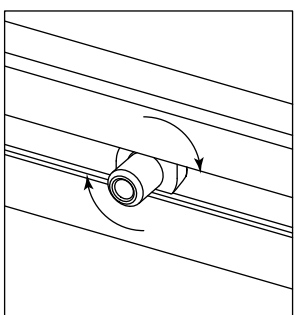


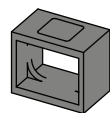
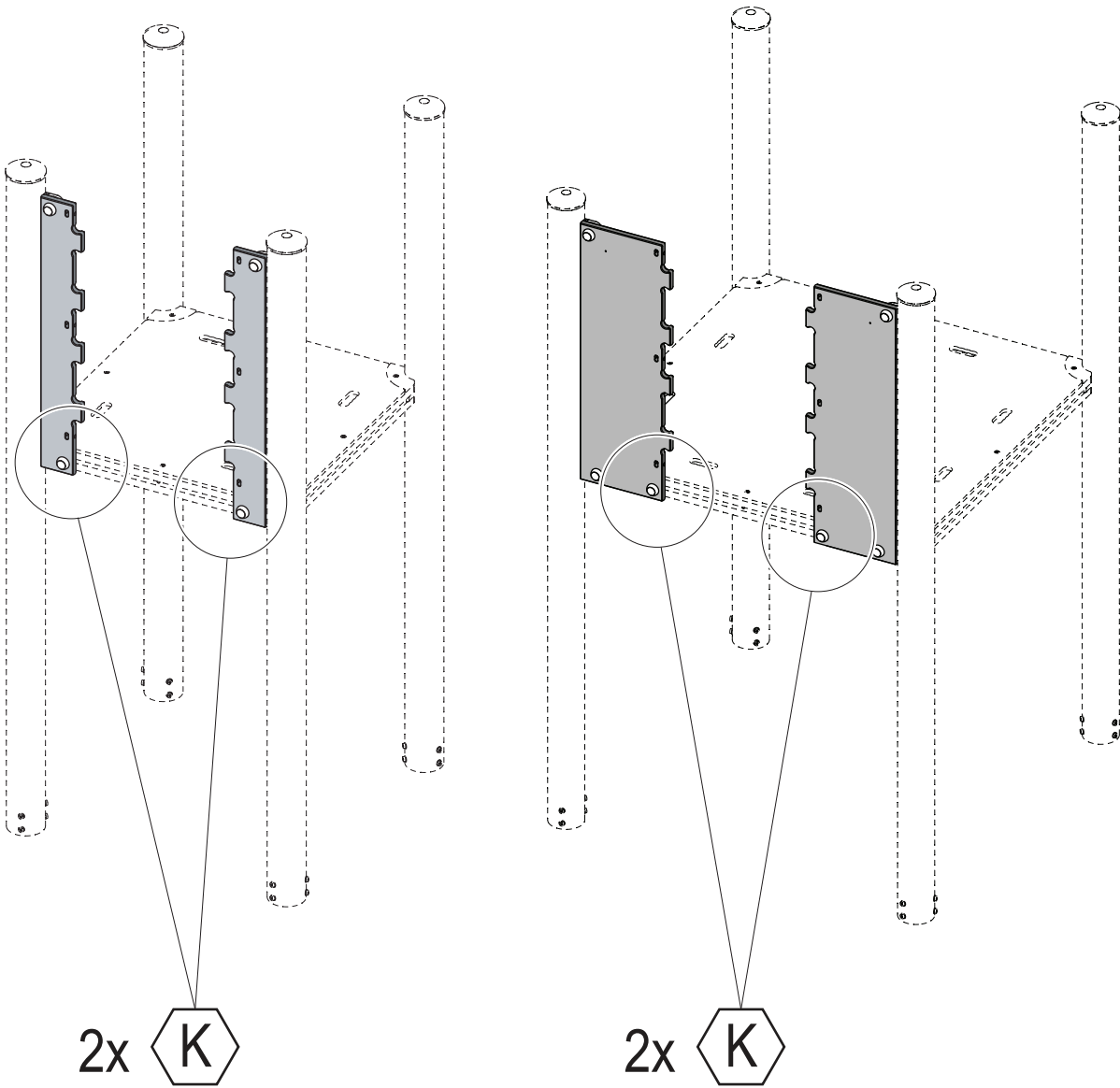
- B380080-0301 - CP402600-01
- B380080-0309 - CP402600-02
- B380080-0323 - CP402600-08
- B380080-0325 - CP402600-11

I 4x
!!!



A380049-53





A380701-113

KOMPAN 

CP402800-04

CP402800-05

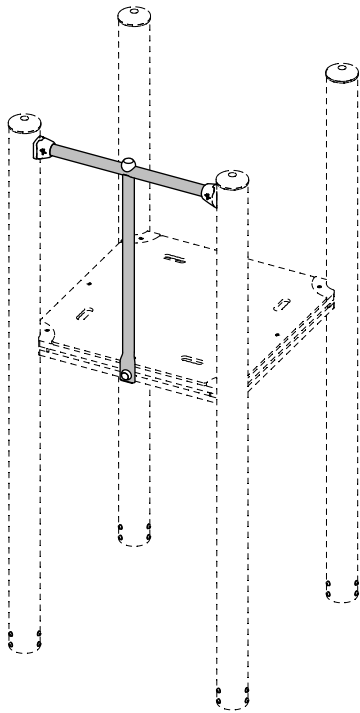
CP402700-05

CP402800-08

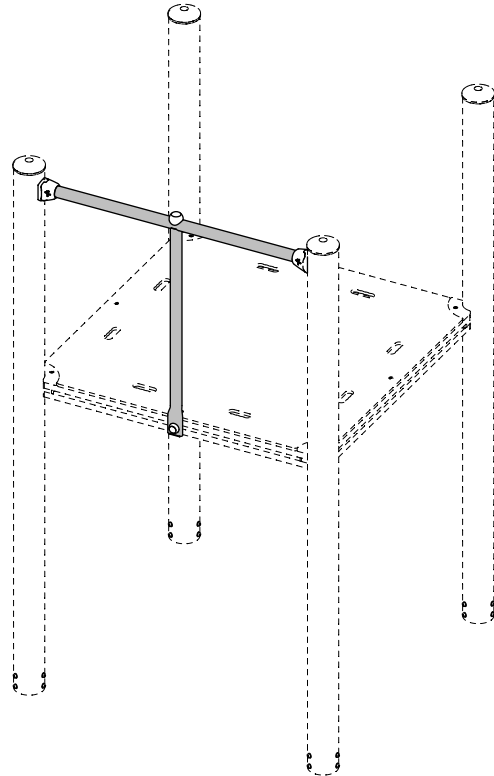
CP402700-08

CP402800-23

CP402700



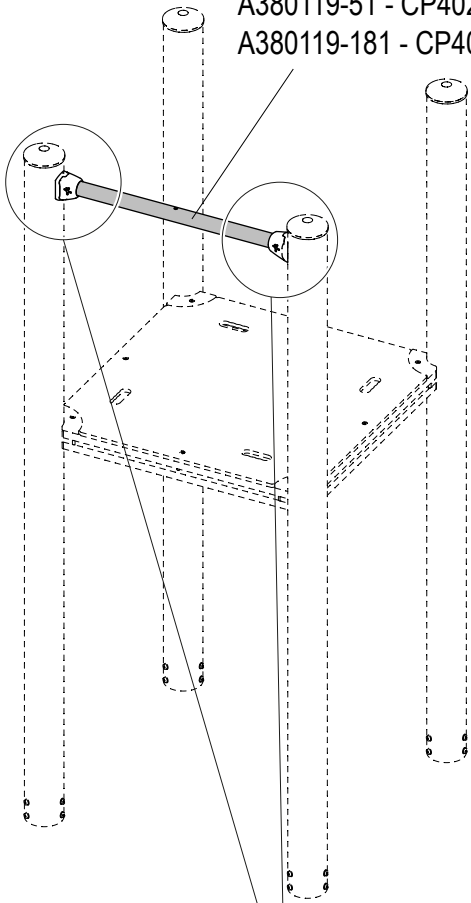
CP402800





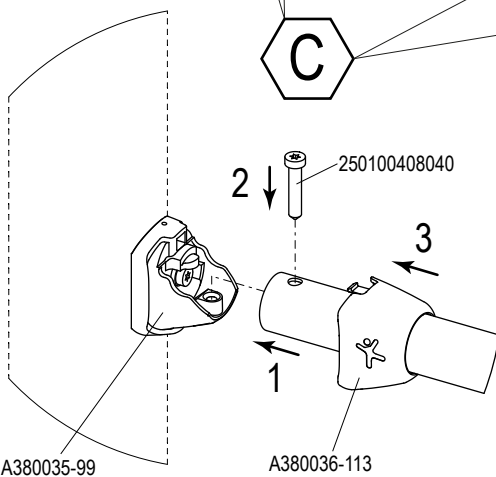
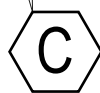
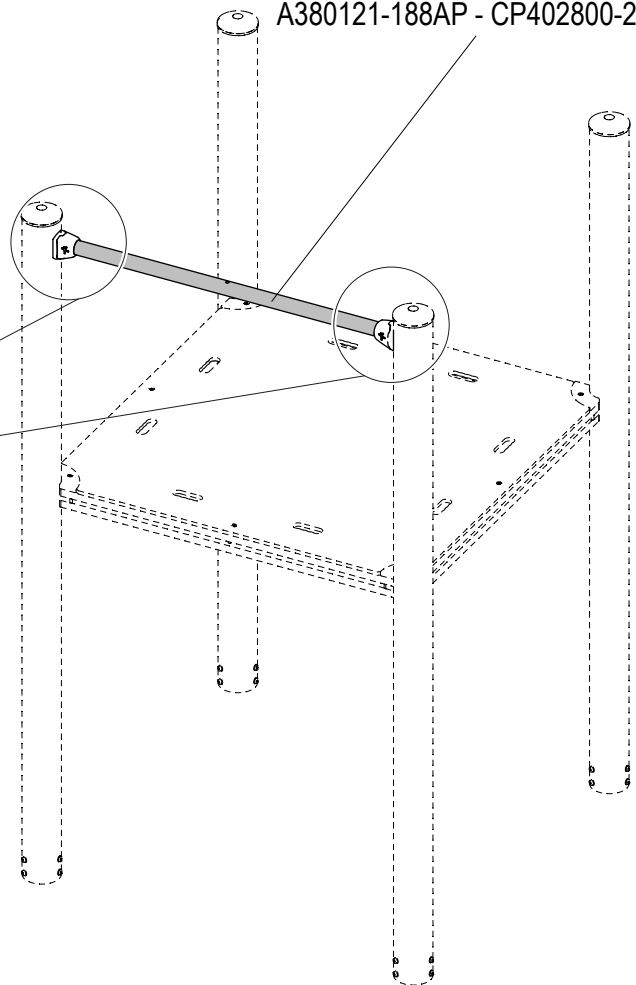
CP402700

A380119-51 - CP402700-05
A380119-181 - CP402700-08



CP402800

A380121-07AP - CP402800-04
A380121-51 - CP402800-05
A380121-181 - CP402800-08
A380121-188AP - CP402800-23



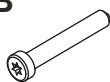


A



A10016-06

B



250100408070

C



201301008016

D



A8640003-06

E



A10015-113

F

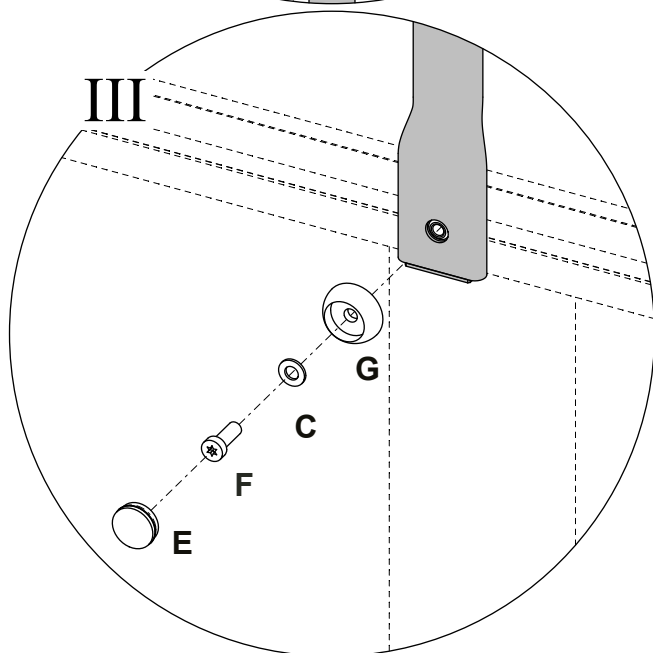
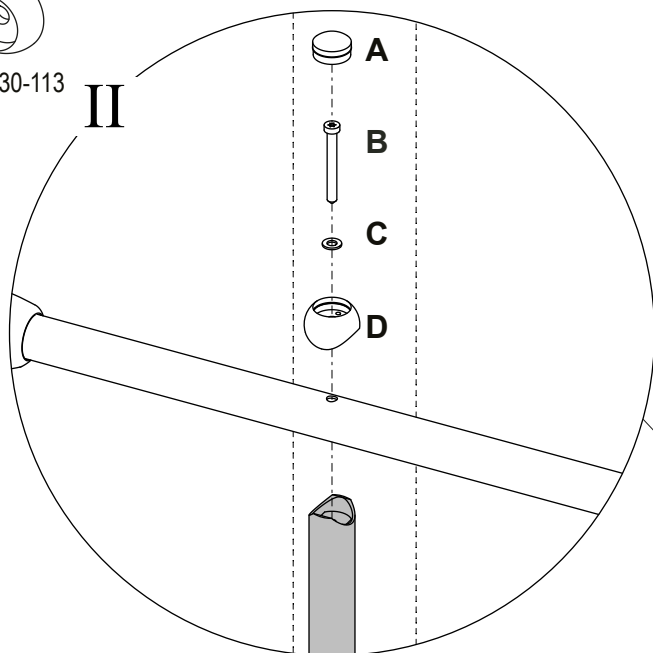


210100408025

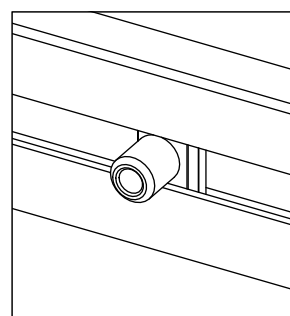
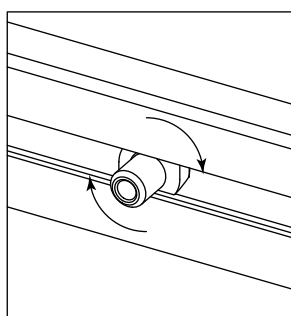
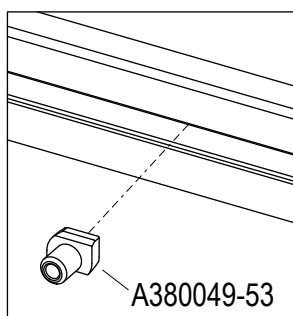
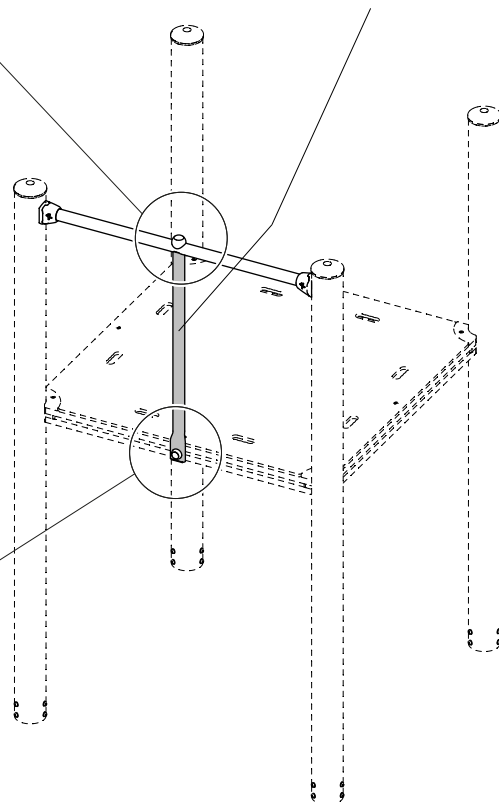
G



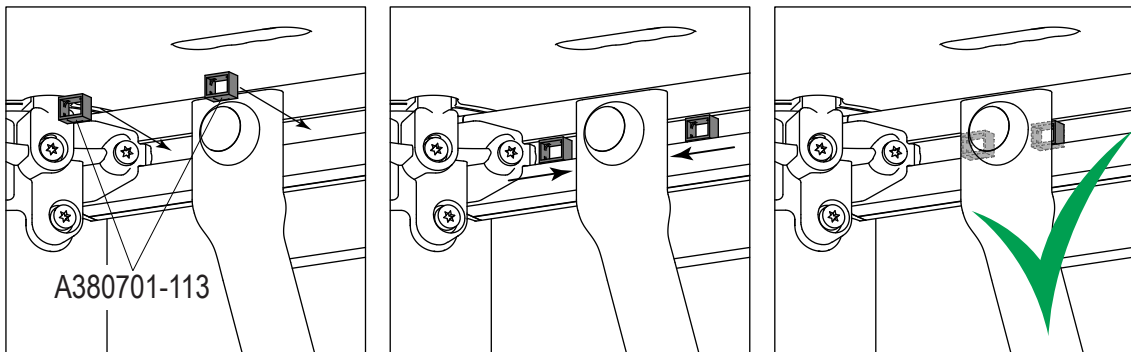
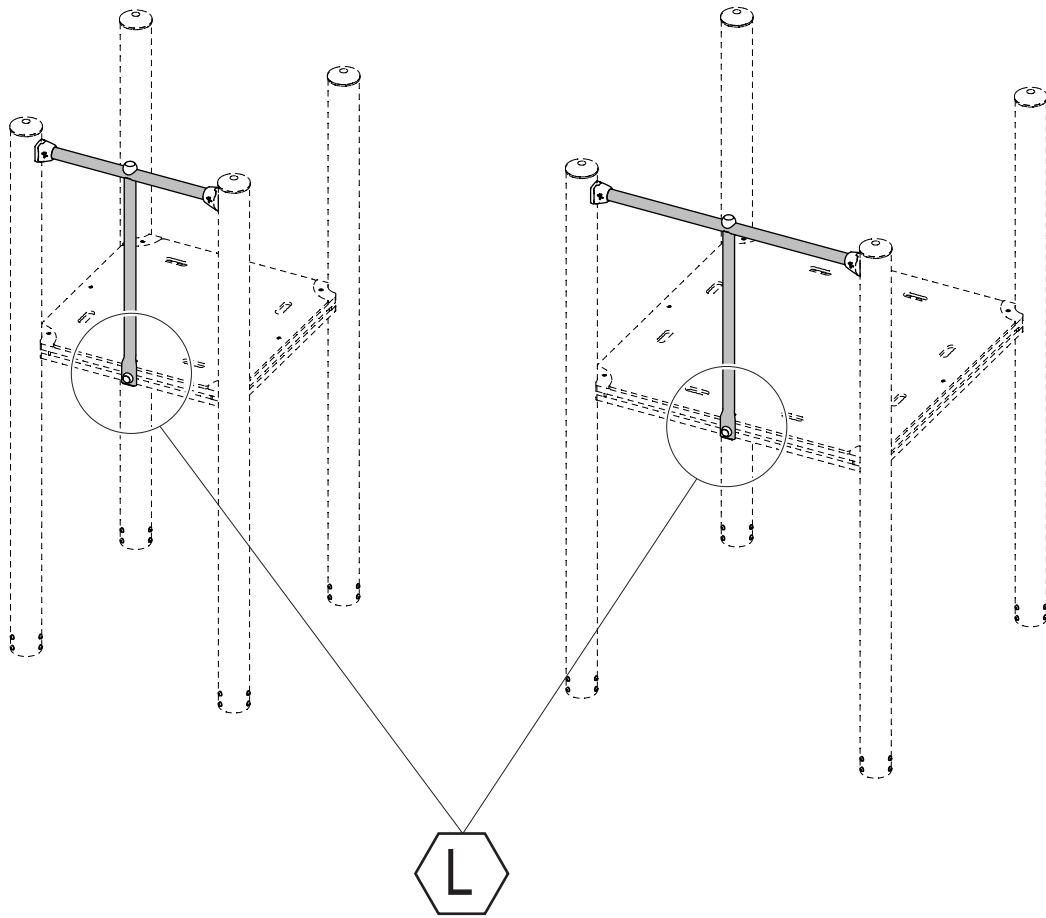
A380030-113



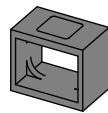
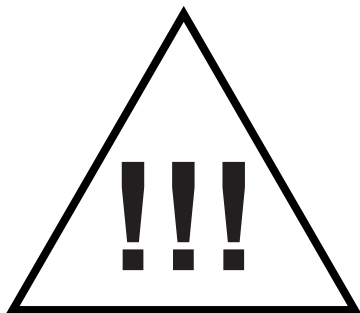
A380120-51 - CP402700-05
 A380120-181 - CP402700-08
 A380120-07AP - CP402800-04
 A380120-51 - CP402800-05
 A380120-181 - CP402800-08
 A380120-188AP - CP402800-23



A380049-53

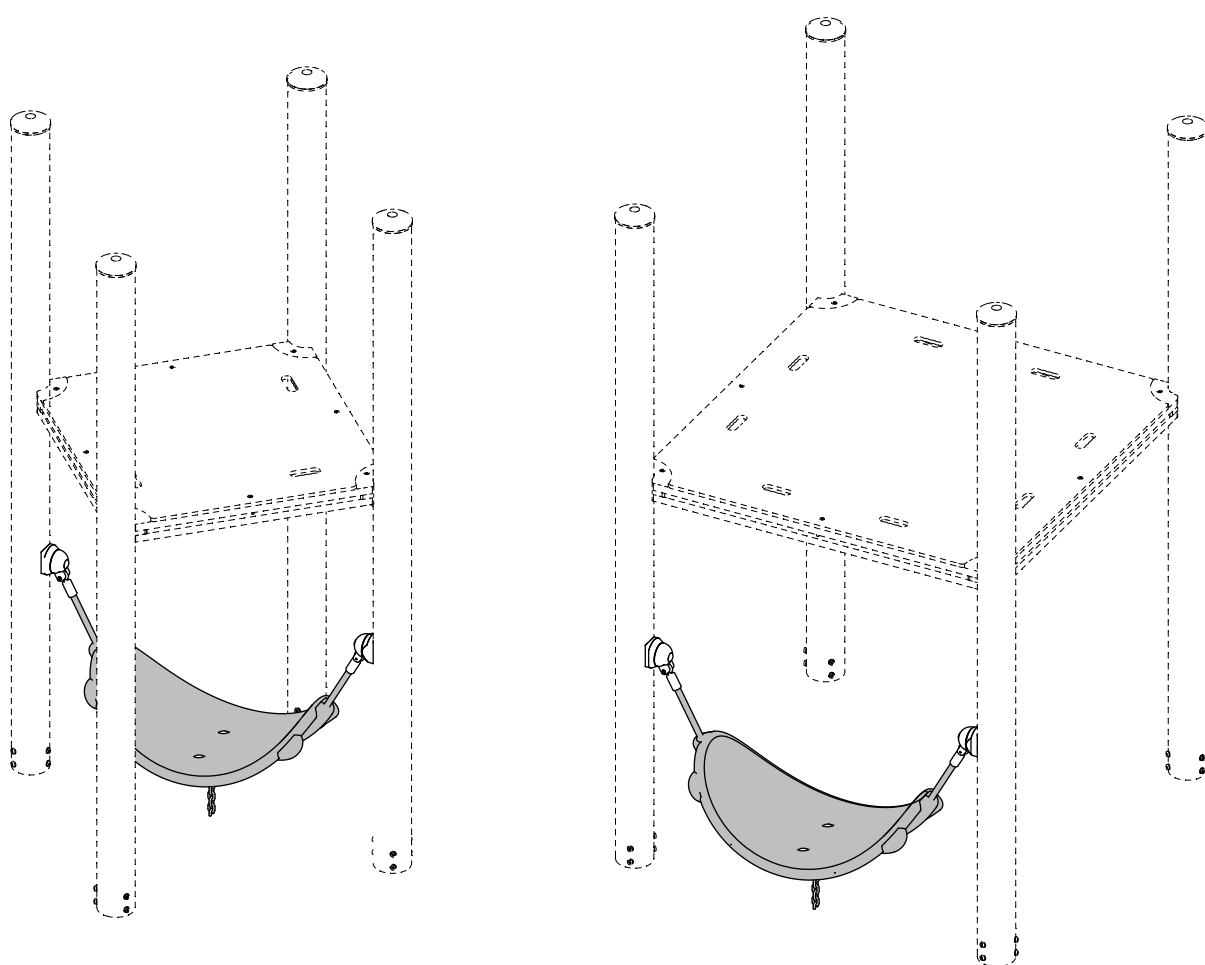


A380701-113



A380701-113

KOMPAN[®]
CP302300-03
CP302300-04





A



A100-31

B



250100408040

2x



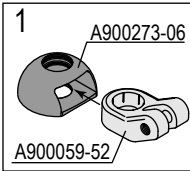
A900038-130

A380176-130

B

A

911210-A2



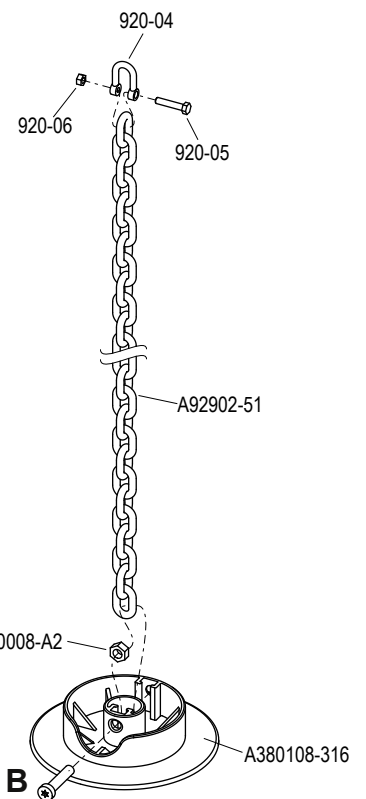
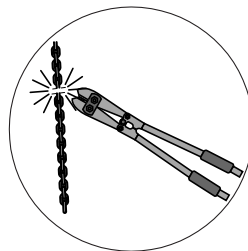
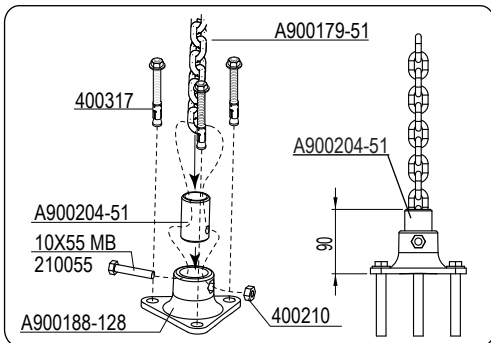
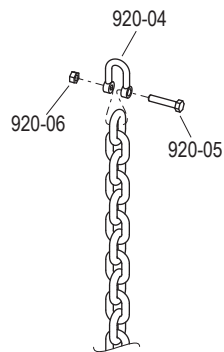
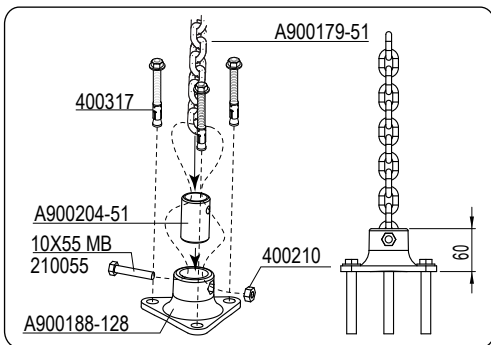
1

A900273-06

A900059-52

A380157-12 - CP302300-03

A380157-23 - CP302300-04



VCP3023XX 20140711 PetrJu

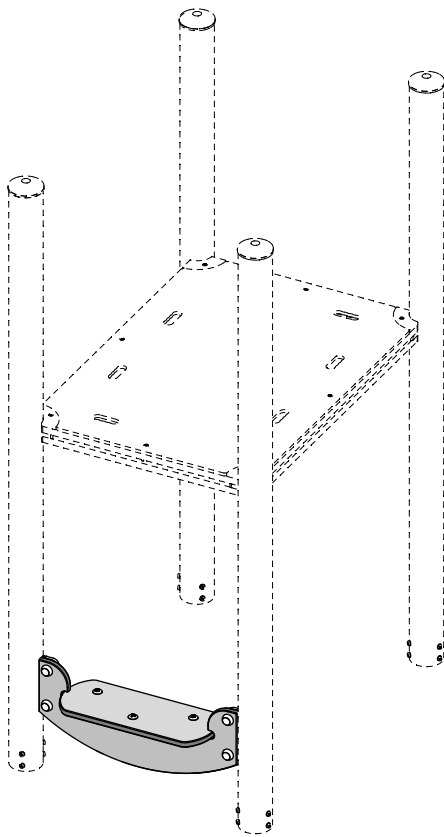
Copyright©KOMPAN A/S

KOMPAN®

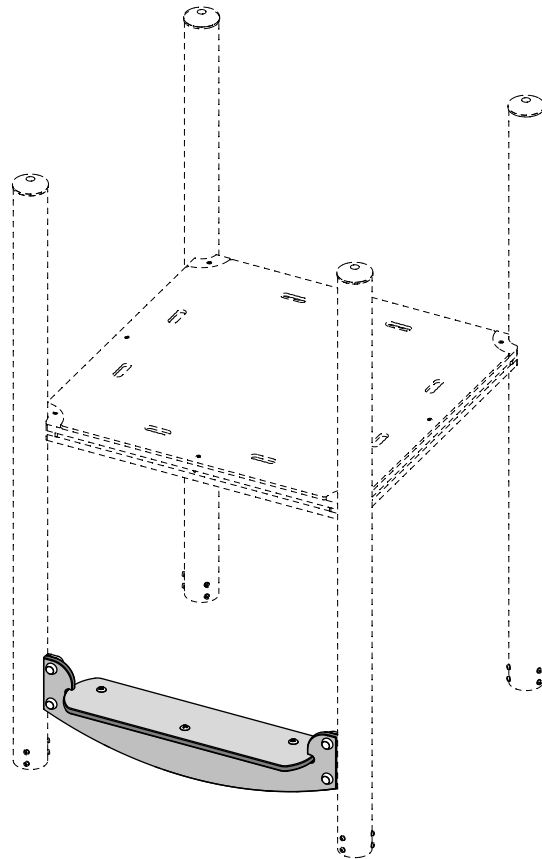
CP301900-XX

CP302000-XX

CP301900



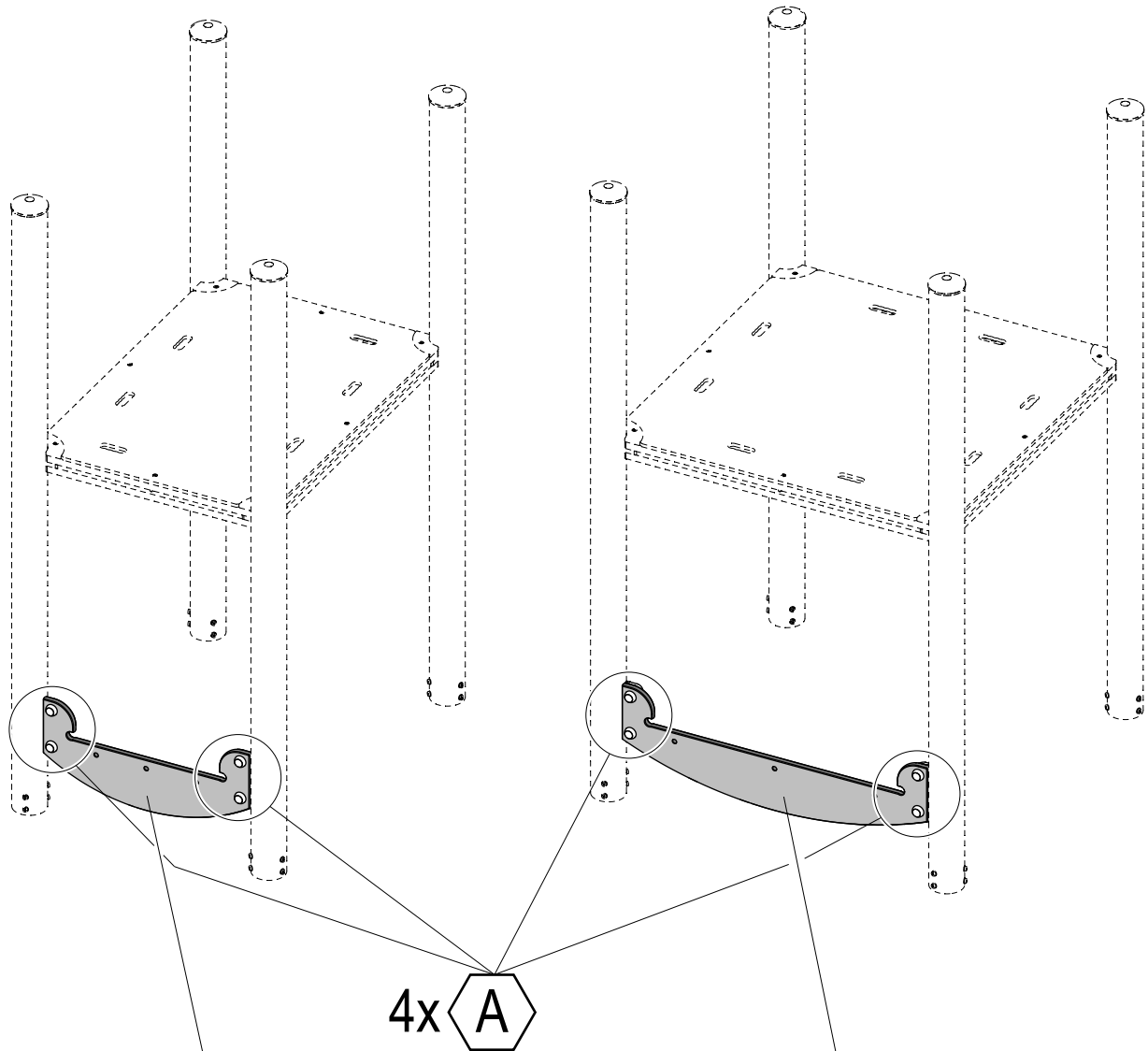
CP302000





CP301900-XX

CP302000-XX



B380065-0301 - CP301900-01
B380065-0309 - CP301900-02
B380065-0308 - CP301900-08
B380065-0325 - CP301900-11
B380065-0317 - CP301900-18

B380075-0301 - CP302000-01
B380075-0309 - CP302000-02
B380075-0310 - CP302000-03
B380075-0311 - CP302000-04
B380075-0323 - CP302000-08
B380075-0325 - CP302000-11/77
B380075-0316 - CP302000-64



A



A10015-113

B



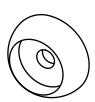
210100408025

C



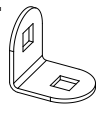
201301008016

D



A380030-113

E

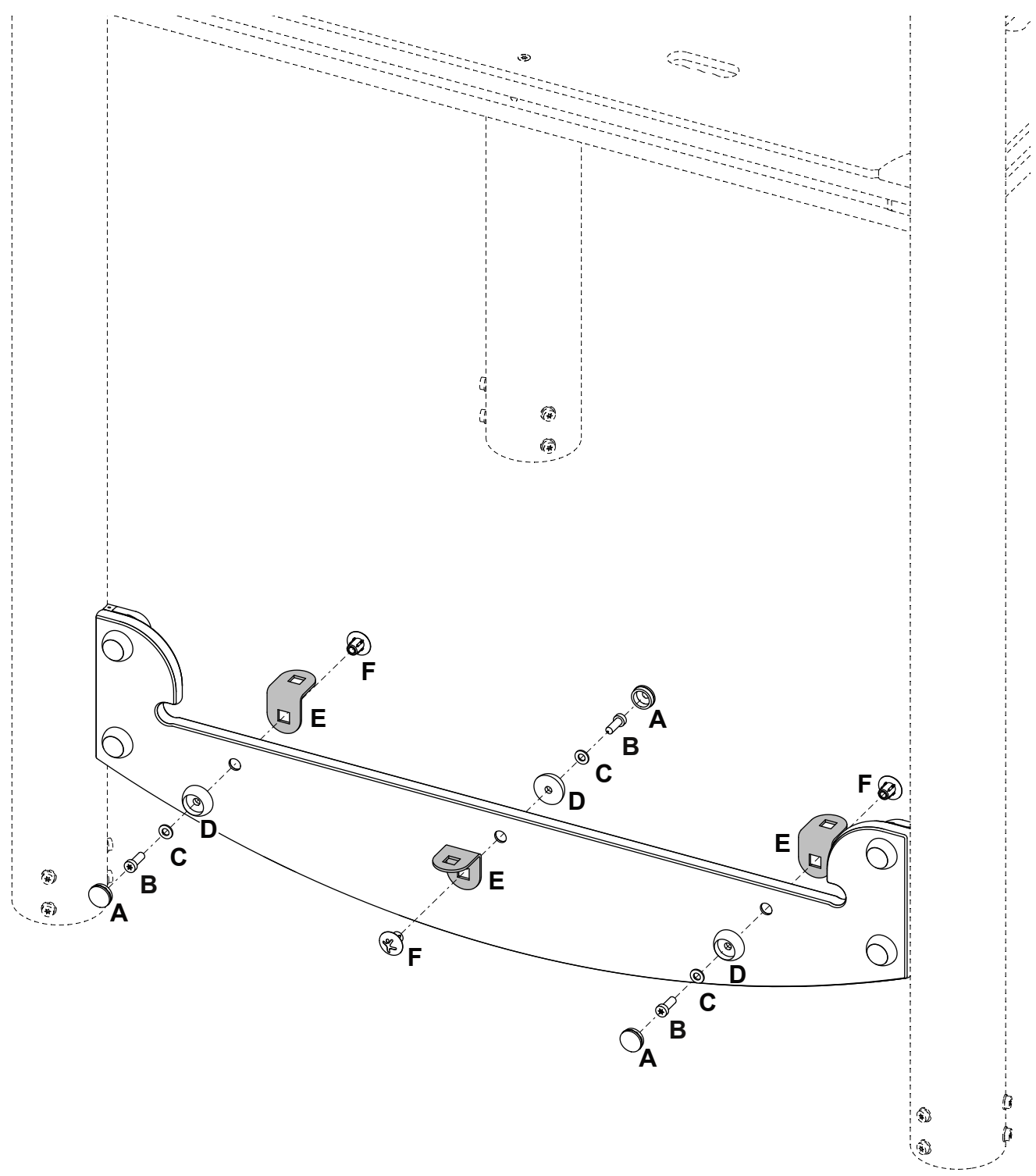


A380135-51

F



A380025-199





A



A380025-199

B



A380030-113

C



201301008016

D



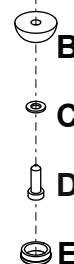
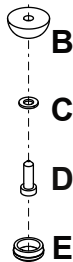
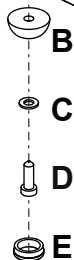
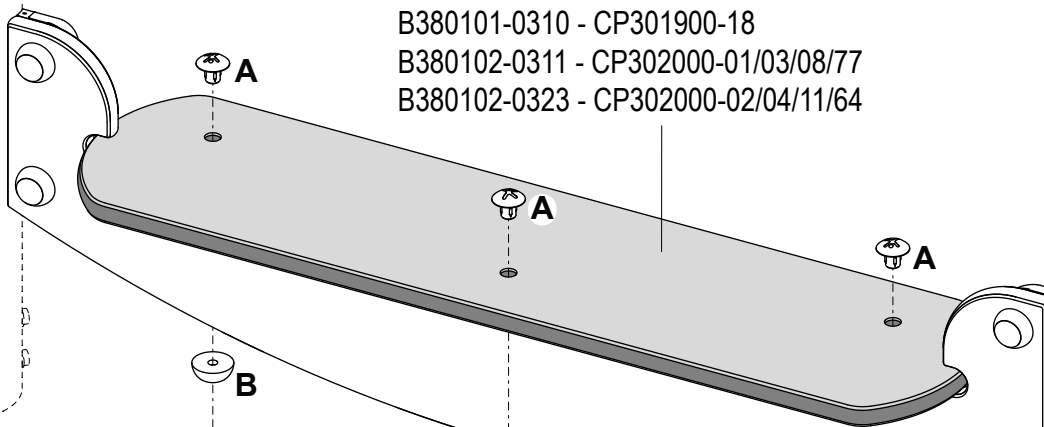
210100408025

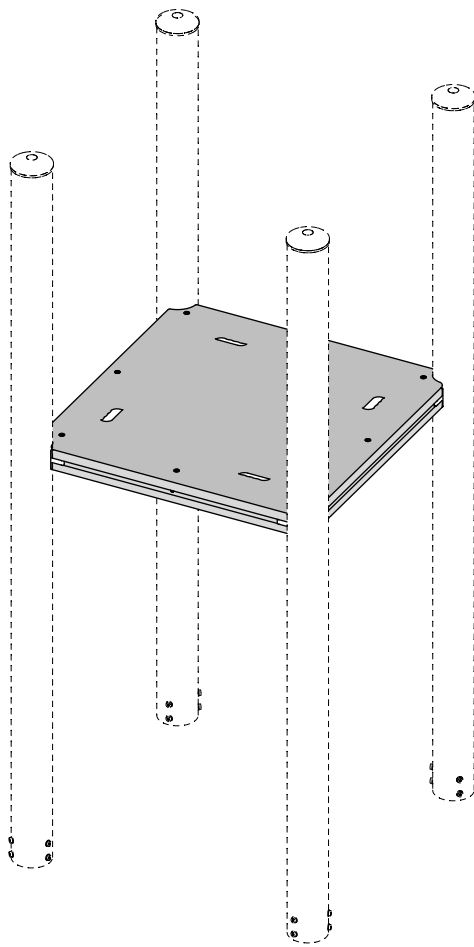
E



A10015-113

B380101-0311 - CP301900-01
B380101-0323 - CP301900-02/11
B380101-0301 - CP301900-08
B380101-0310 - CP301900-18
B380102-0311 - CP302000-01/03/08/77
B380102-0323 - CP302000-02/04/11/64



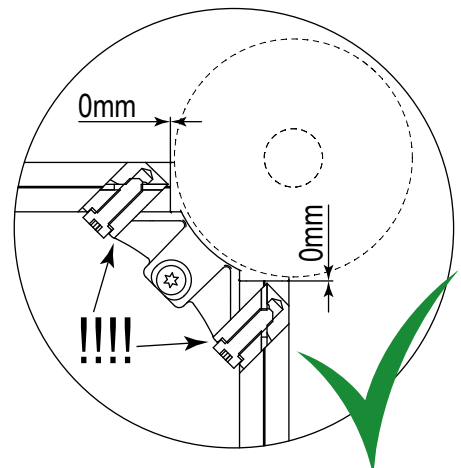
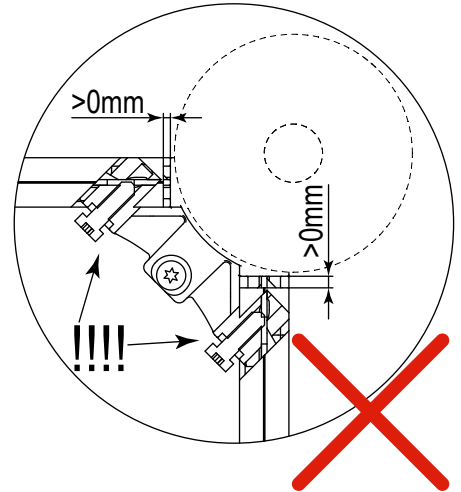
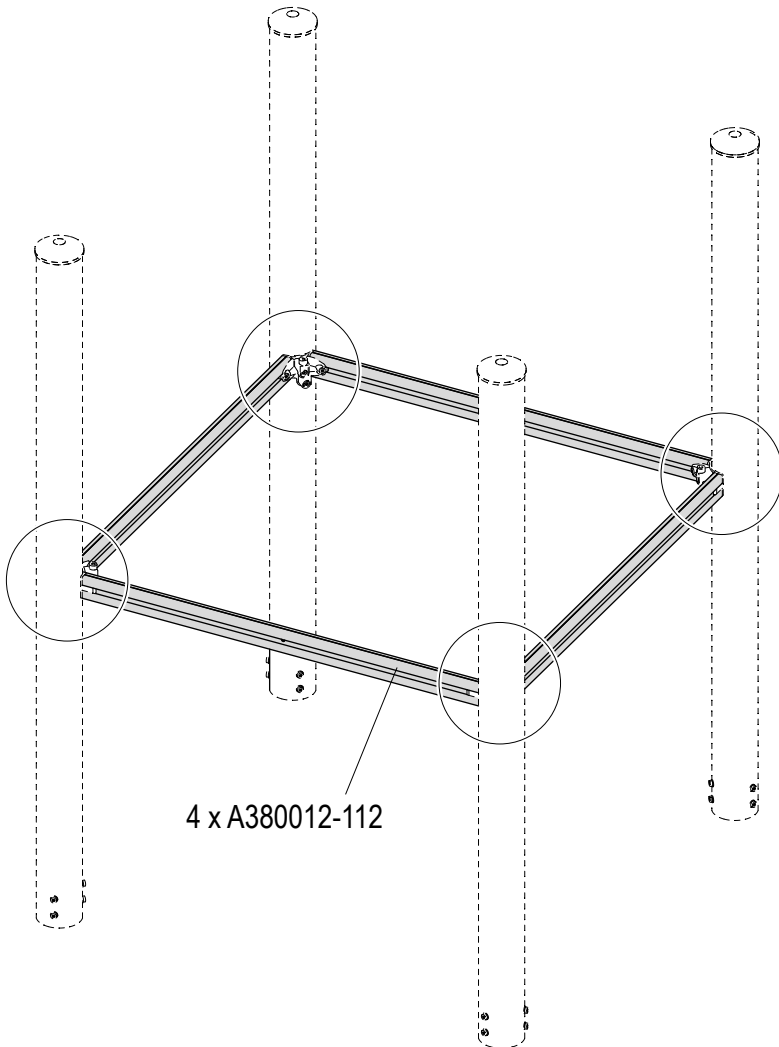
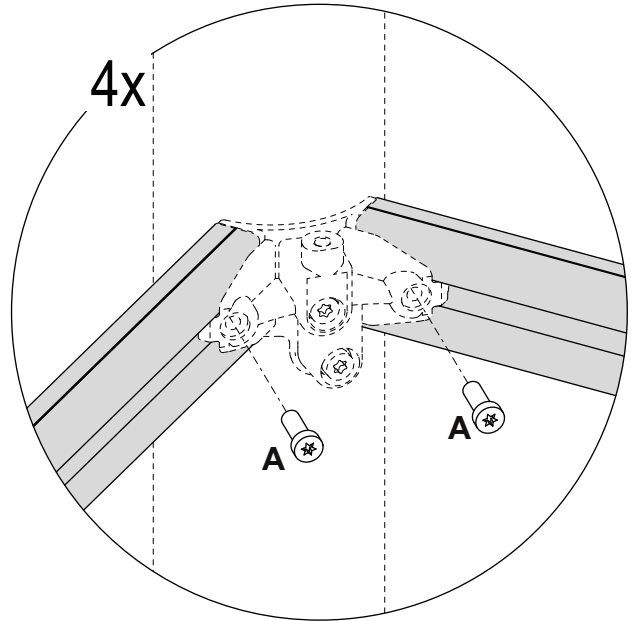
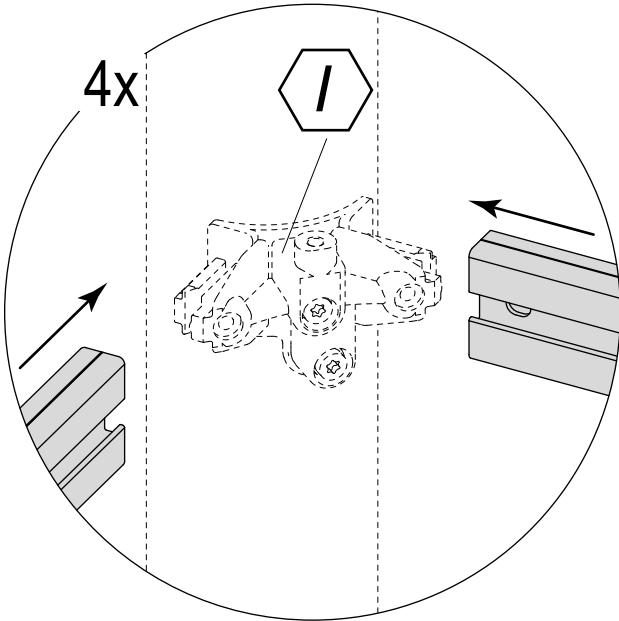


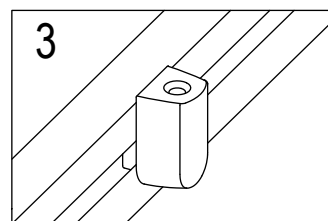
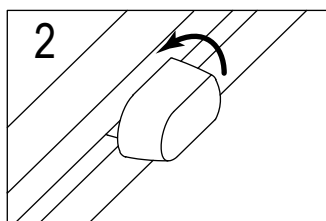
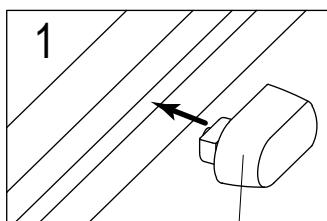


A

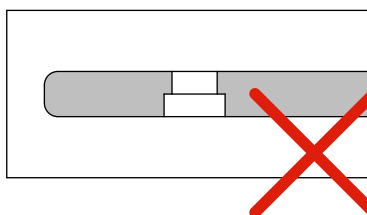
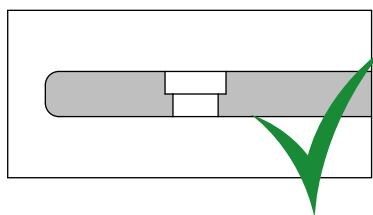
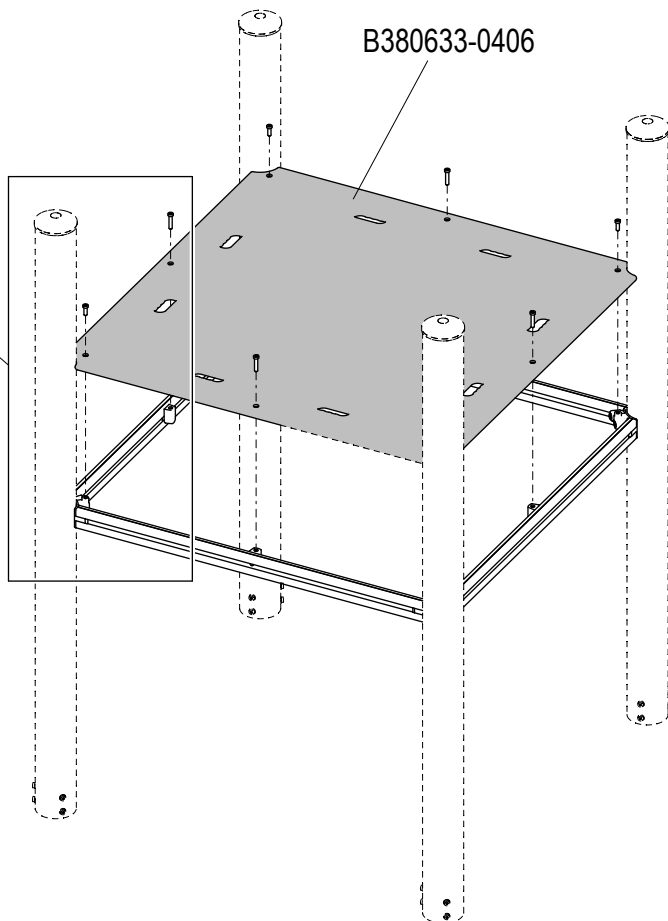
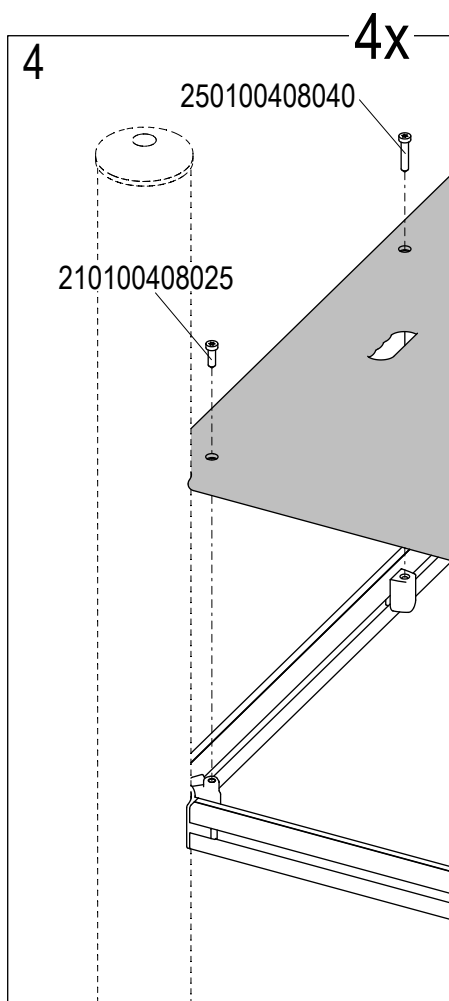


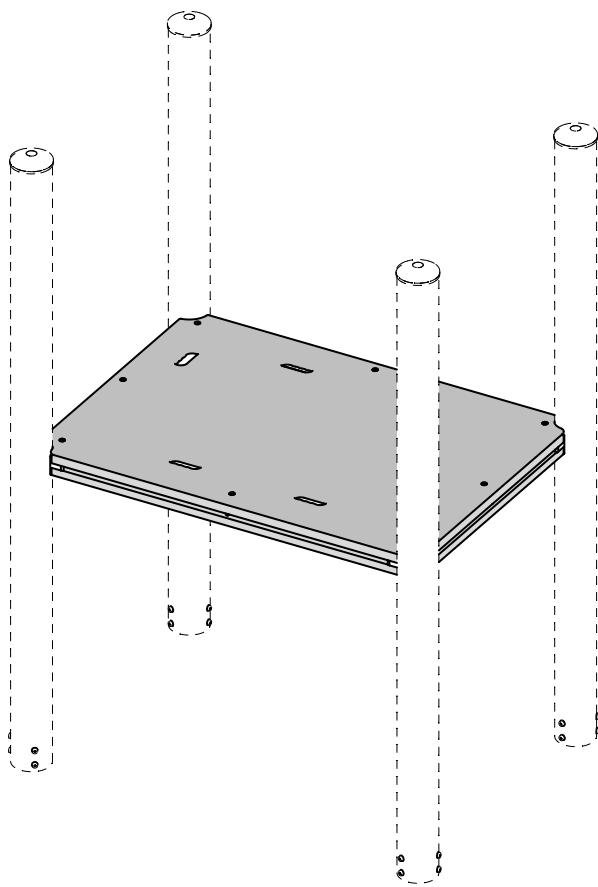
210100408025





4x A380046-128



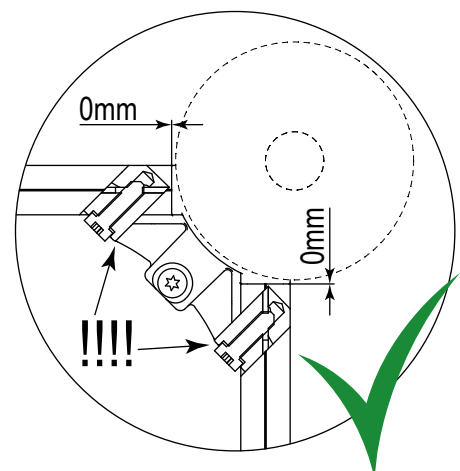
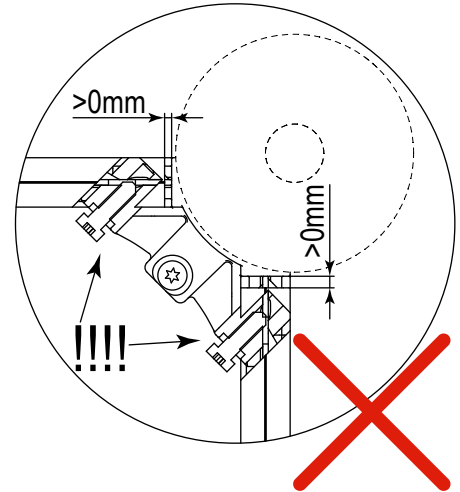
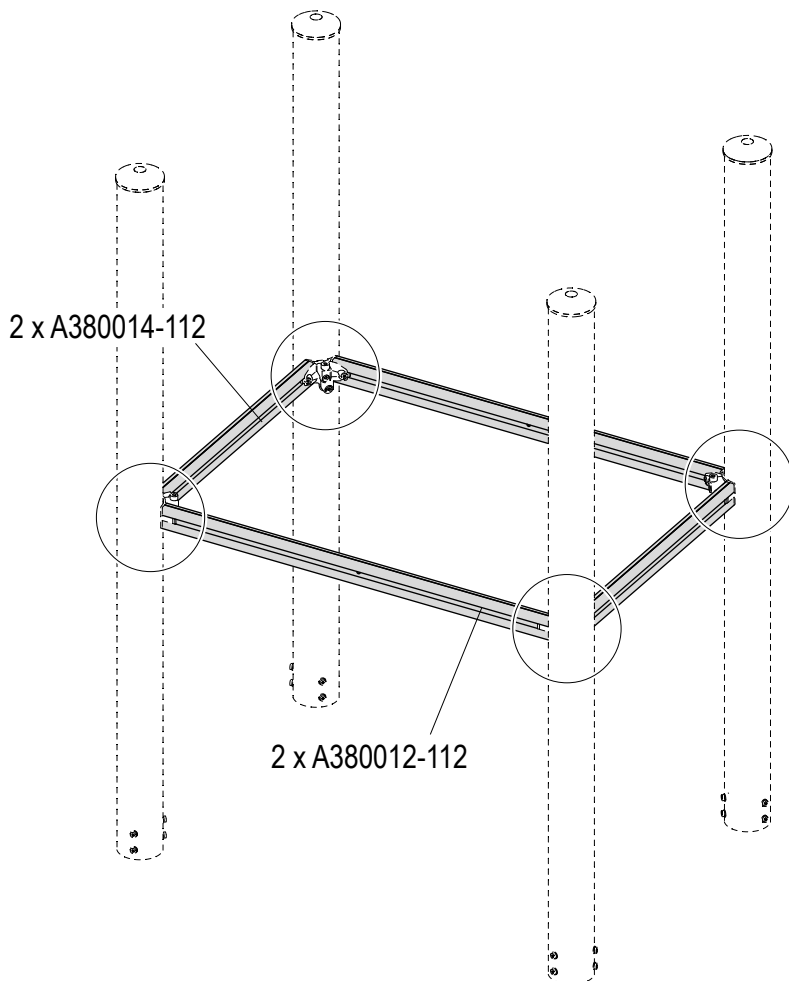
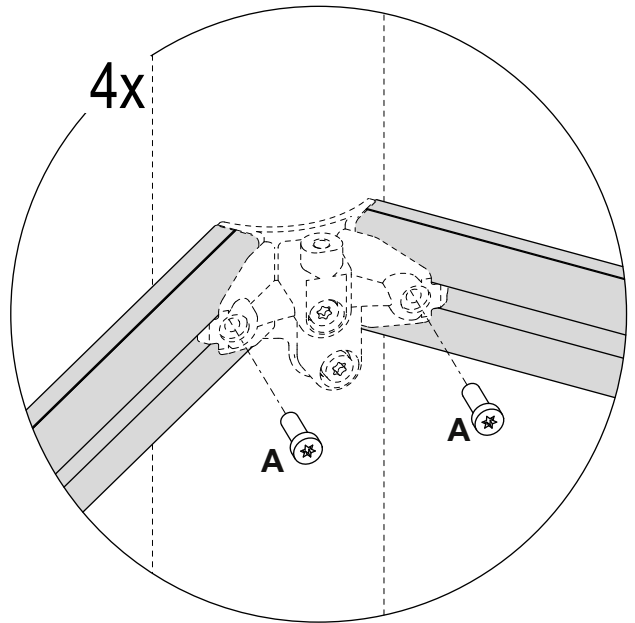
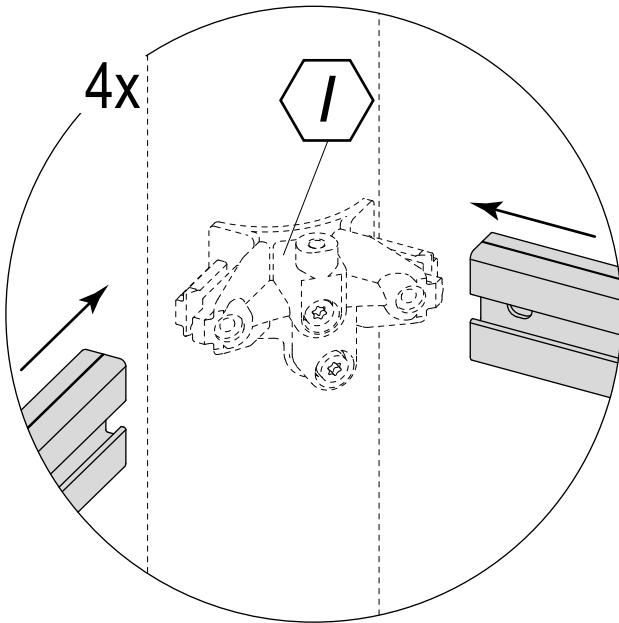


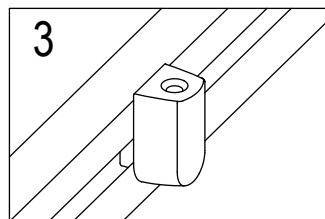
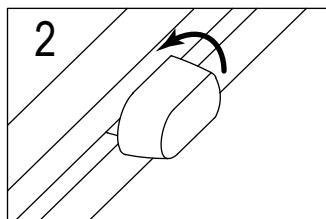
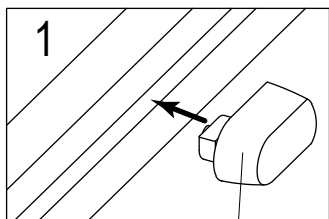


A

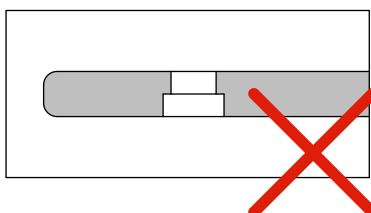
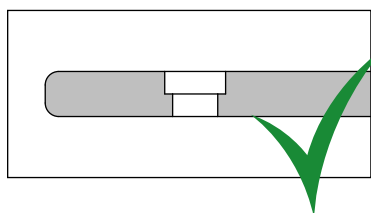
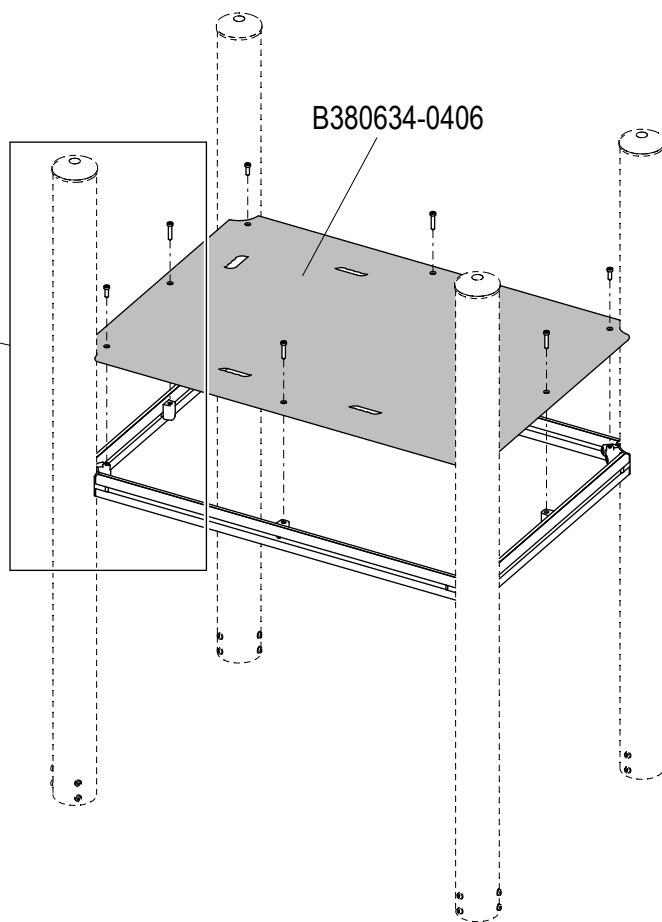
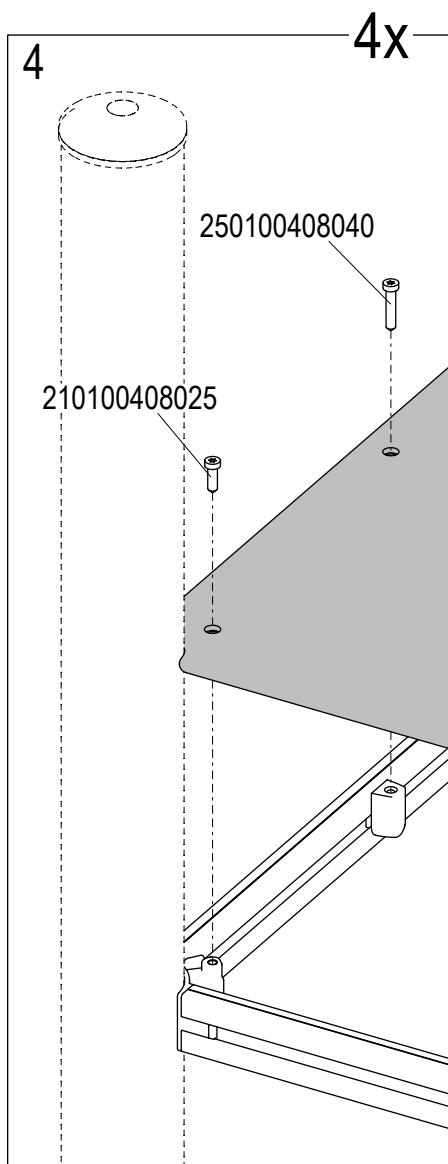


210100408025



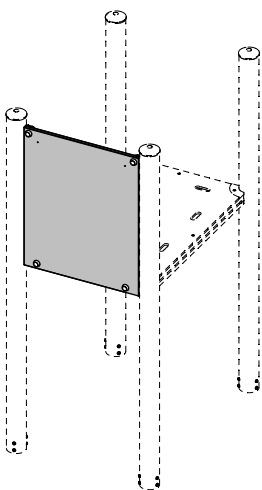


4x A380046-128

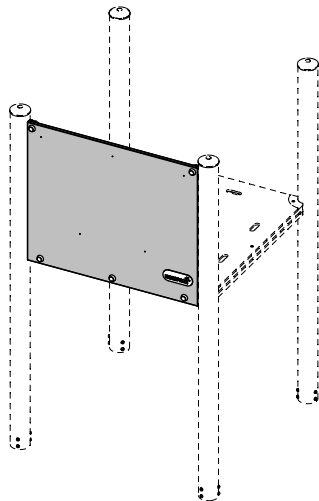


KOMPAN[®]
CP200100-XX
CP200200-XX
CP200300-XX
CP200400-XX

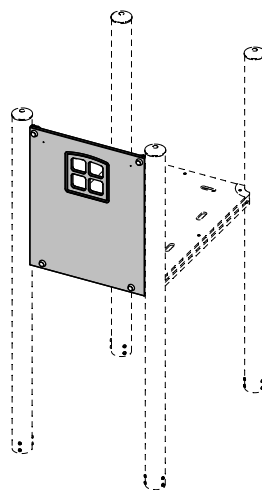
CP200100



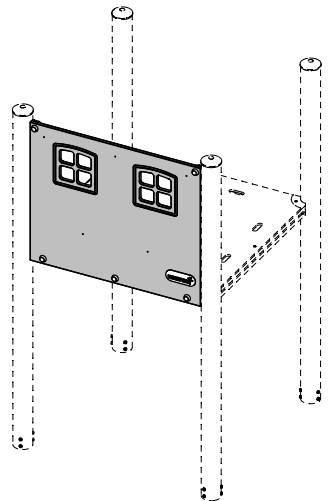
CP200200



CP200300



CP200400





A



A10015-113

B



210100408025

C



201301008016

D

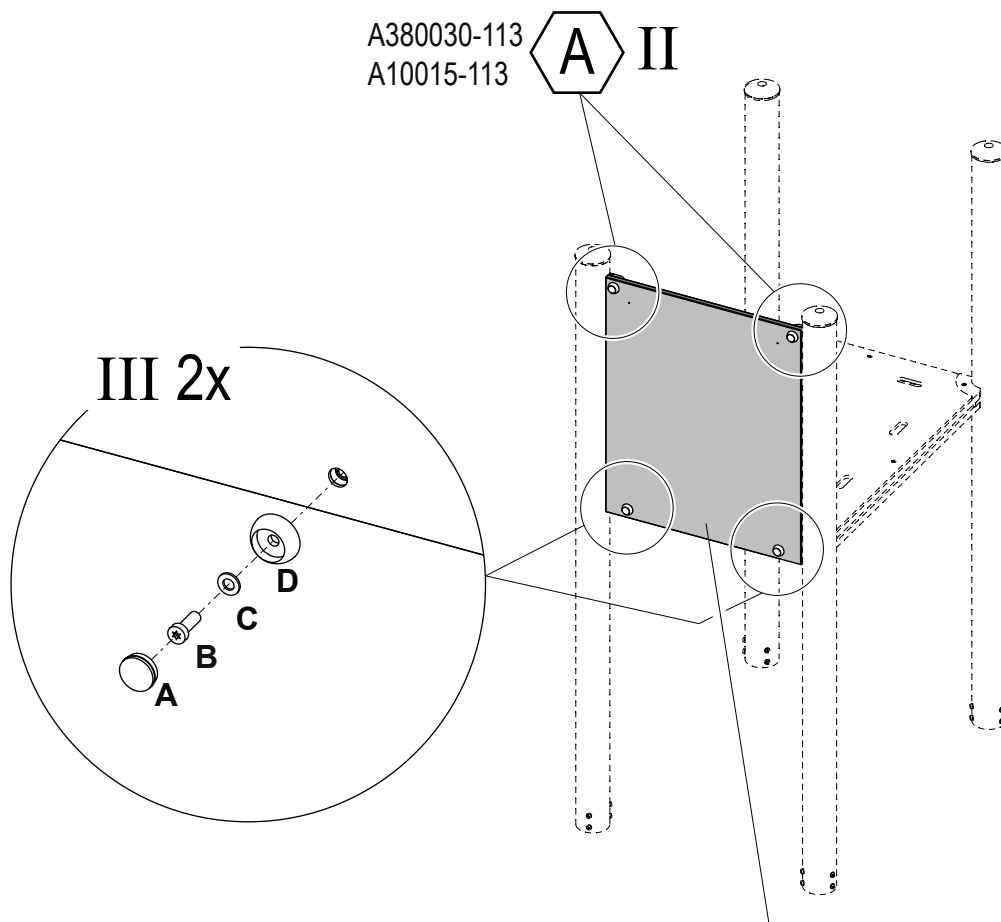
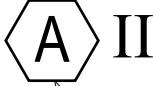


A380030-113


CP200100-XX

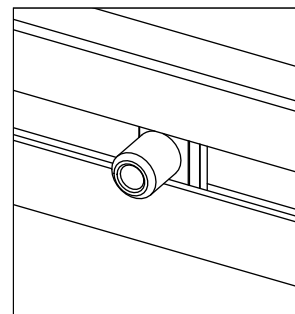
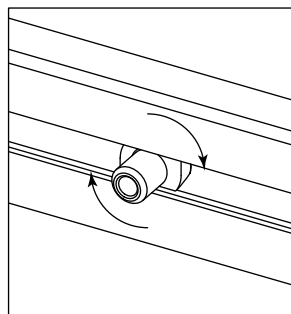
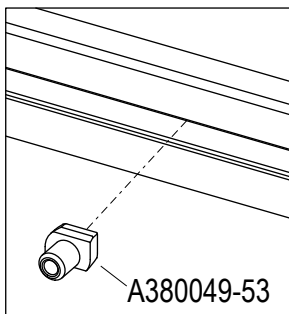
CP200300-XX

A380030-113
A10015-113



- B380009-0301 - CP200100-01
- B380009-0309 - CP200100-02
- B380009-0311 - CP200100-04
- B380009-0325 - CP200100-11
- B380009-0316 - CP200100-64
- B380011-0301 - CP200300-01
- B380011-0309 - CP200300-02
- B380011-0325 - CP200300-11

 I 2x
!!!





A



A10015-113

B



210100408025

C



201301008016

D



A380030-113

E



320600506020

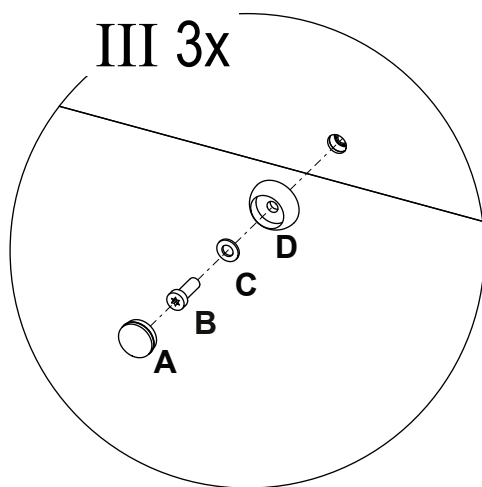
CP200200-XX

CP200400-XX

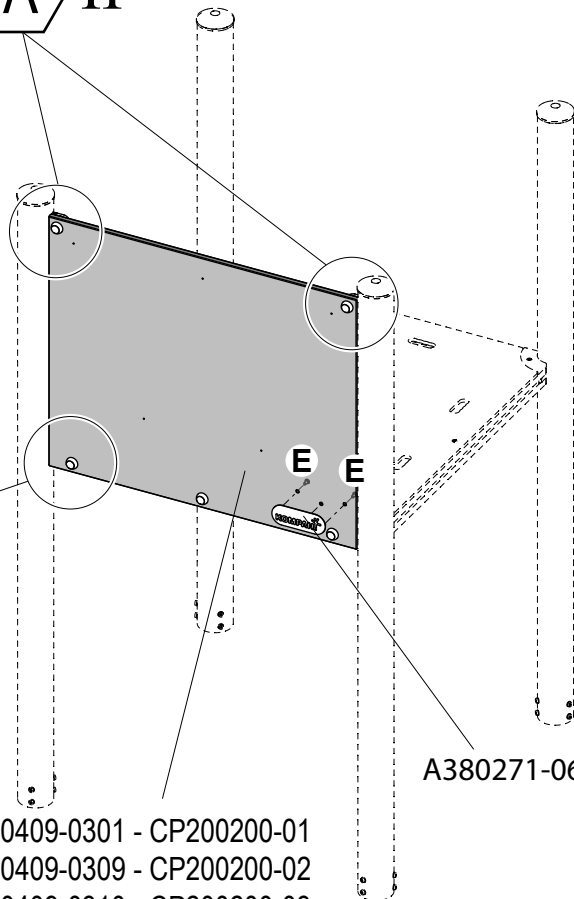
A380030-113
A10015-113



II



III 3x



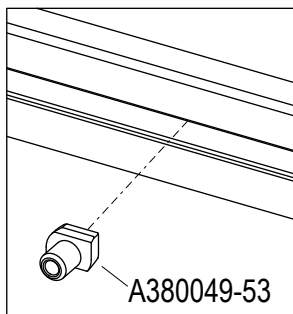
A380271-06

- B380409-0301 - CP200200-01
- B380409-0309 - CP200200-02
- B380409-0310 - CP200200-03
- B380409-0311 - CP200200-04
- B380409-0325 - CP200200-11
- B380409-0316 - CP200200-64
- B380410-0301 - CP200400-01
- B380410-0309 - CP200400-02
- B380410-0325 - CP200400-11

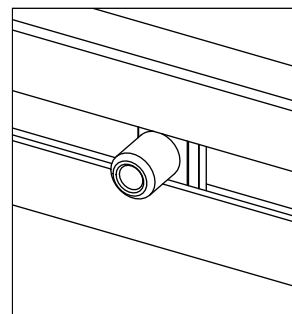
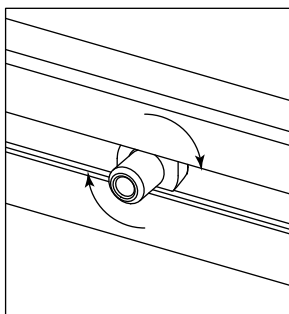


!!!

I 2x



A380049-53



CP300700-01

CP300800-02

CP300800-11

CP300700-02

CP300800-03

CP300800-51

CP300700-11

CP300800-04

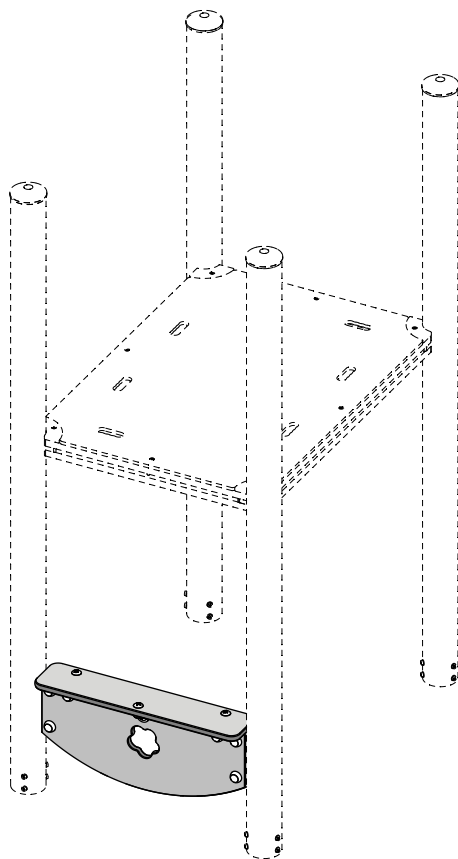
CP300800-64

CP300800-01

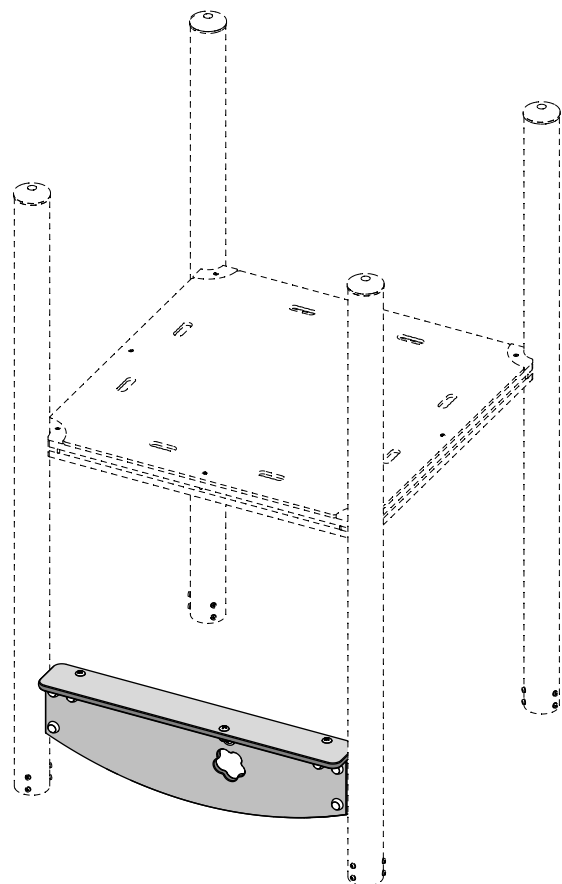
CP300800-08

CP300800-77

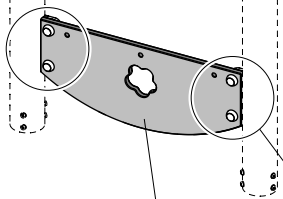
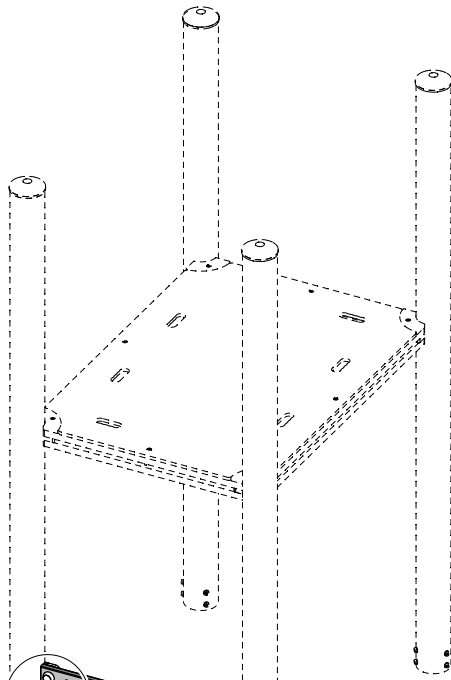
CP300700



CP300800



CP300700-XX

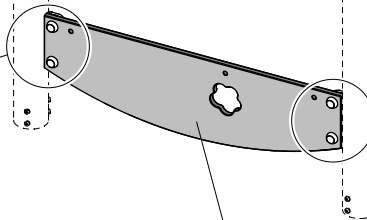
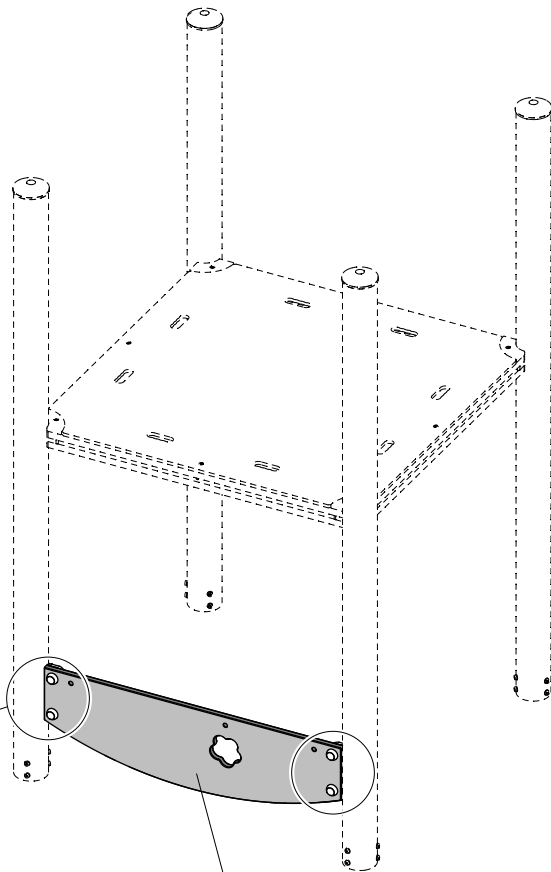


- B380025-0301 - CP300700-01
- B380025-0309 - CP300700-02
- B380025-0325 - CP300700-11

4x A380030-113
A10015-113



CP300800-XX

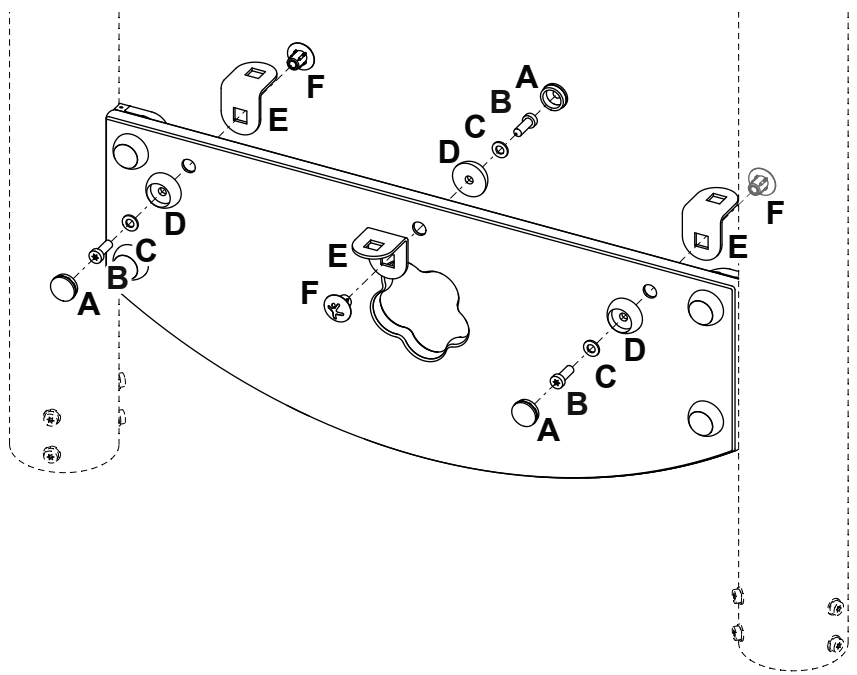


- B380124-0301 - CP300800-01/51
- B380124-0309 - CP300800-02
- B380124-0310 - CP300800-03
- B380124-0311 - CP300800-04
- B380124-0323 - CP300800-08
- B380124-0325 - CP300800-11/77
- B380124-0316 - CP300800-64

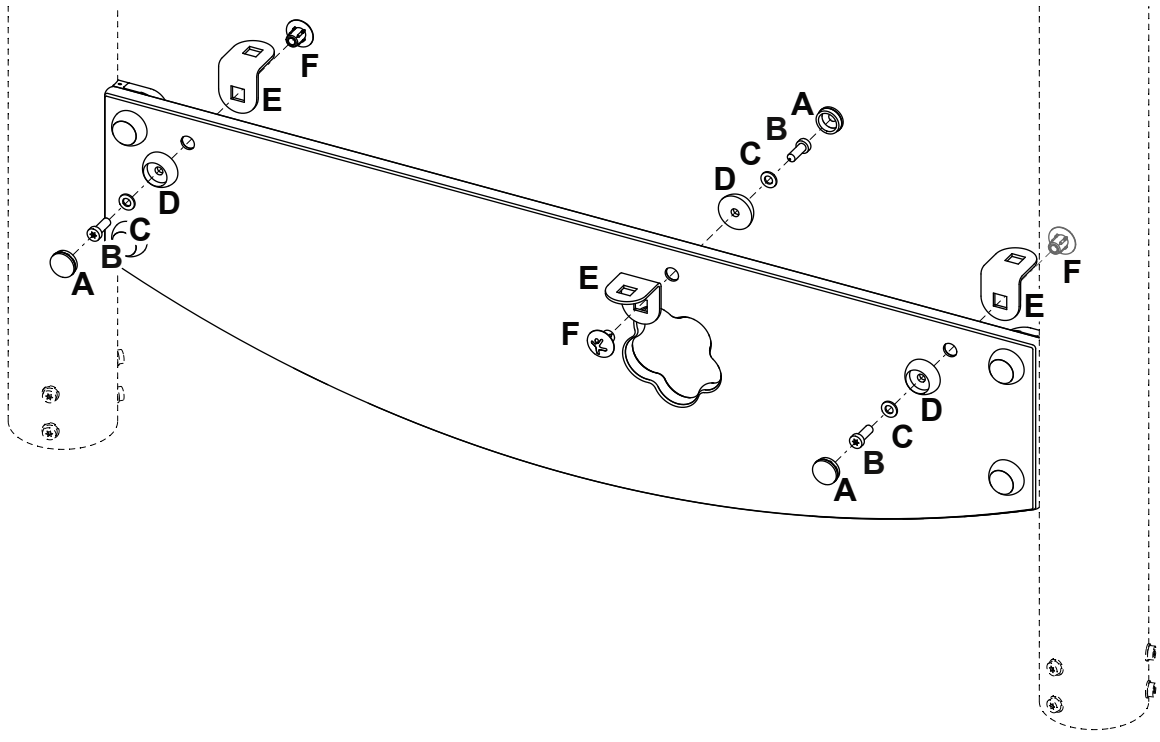


- A  A10015-113
- B  210100408025
- C  201301008016
- D  A380030-113
- E  A380135-51
- F  A380025-199

CP300700-XX



CP300800-XX



VCP3007XX 20140714 PetrJu



A



A380025-199

B



A380030-113

C



201301008016

D



210100408025

E

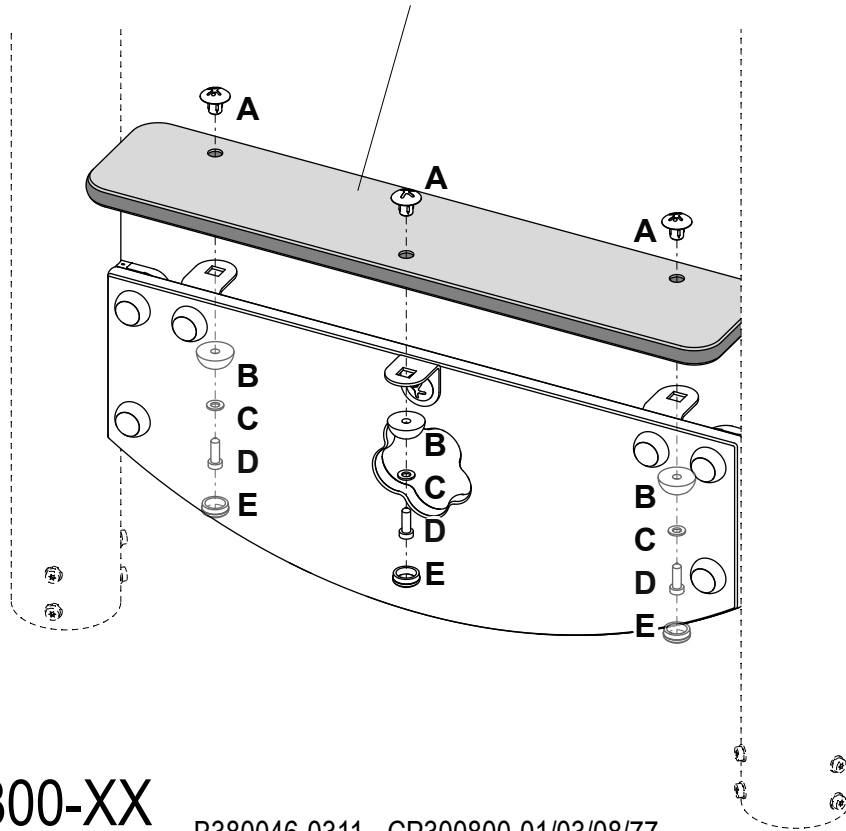


A10015-113

CP300700-XX

B380042-0311 - CP300700-01

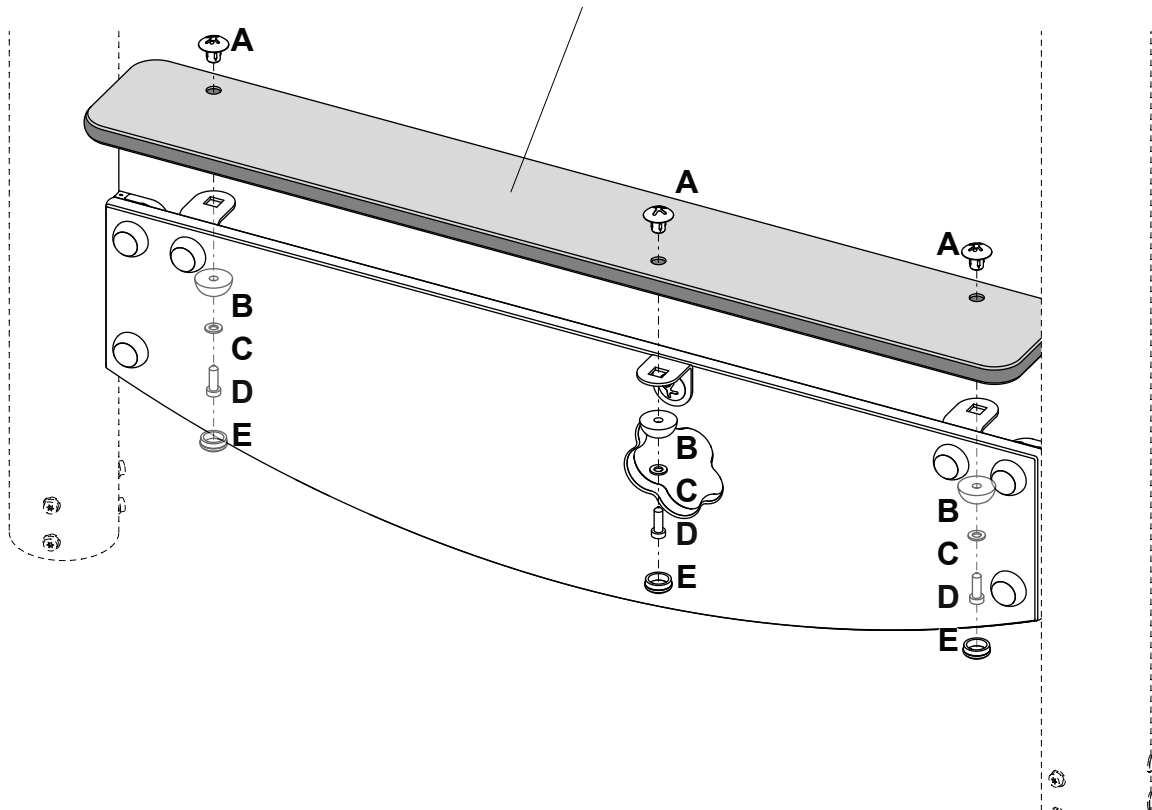
B380042-0323 - CP300700-02/11



CP300800-XX

B380046-0311 - CP300800-01/03/08/77

B380046-0323 - CP300800-02/04/11/51/64



CP201600-01

CP201800-01

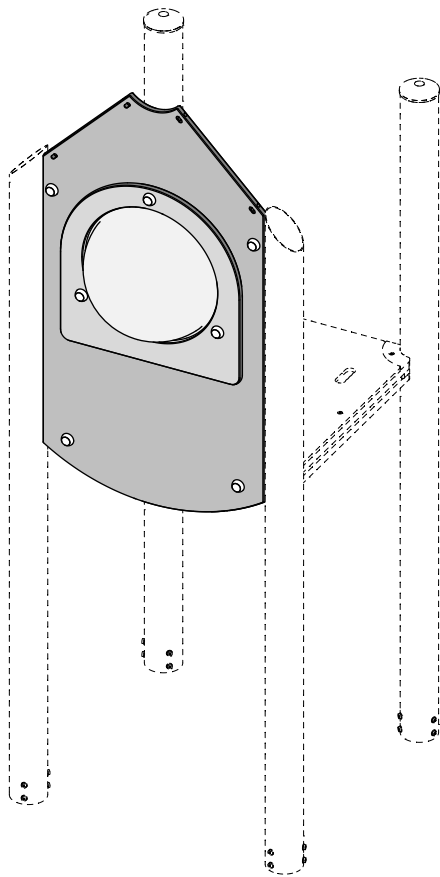
CP201600-02

CP201800-02

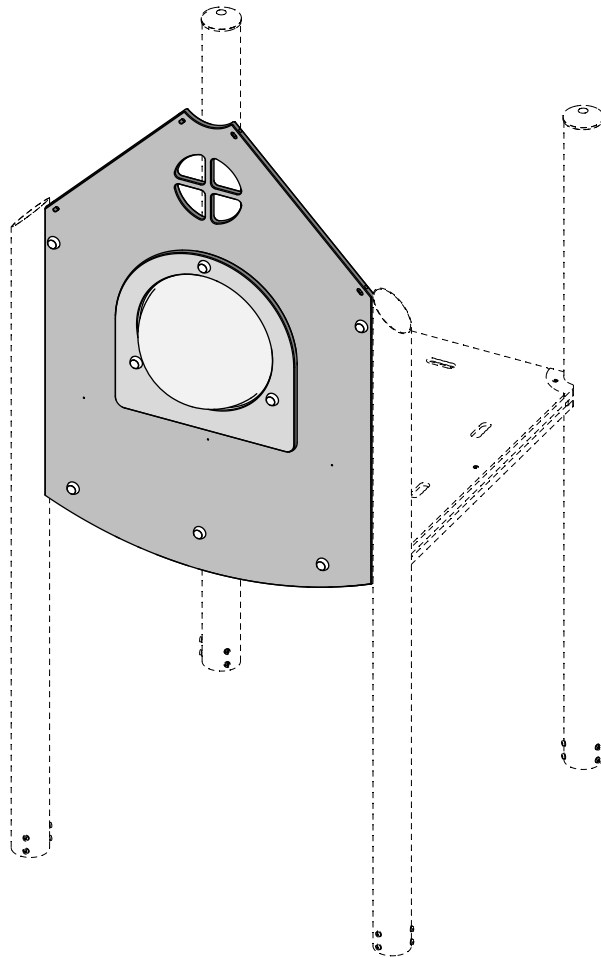
CP201600-11

CP201800-11

CP201600



CP201800





A



A10015-113

B



210100408040

C



201301008016

D



A380030-113

E

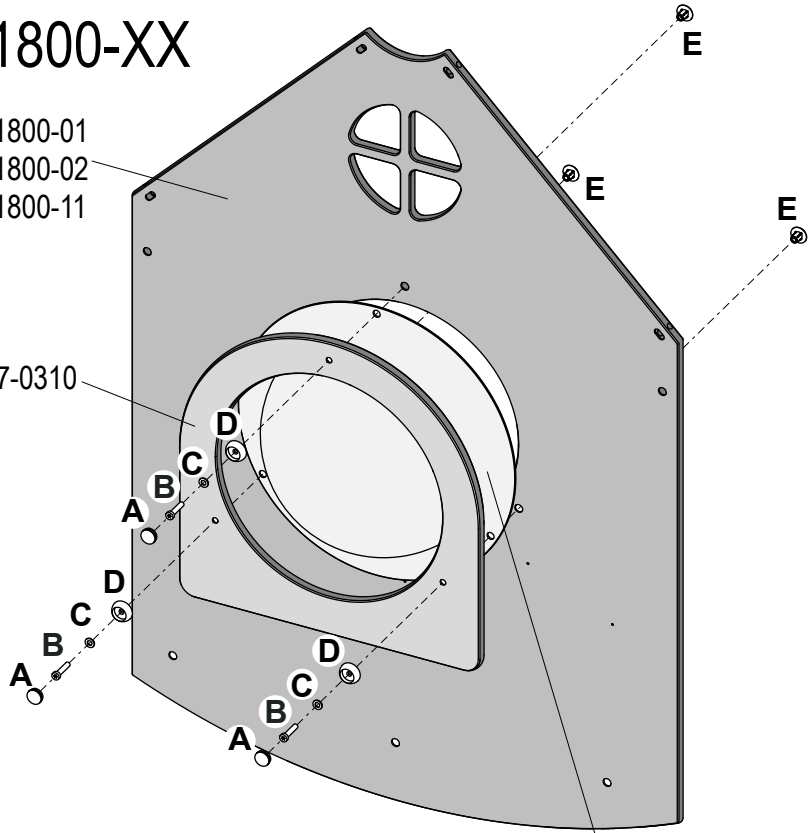


A380025-199

CP201800-XX

B380416-0301 - CP201800-01
B380416-0309 - CP201800-02
B380416-0325 - CP201800-11

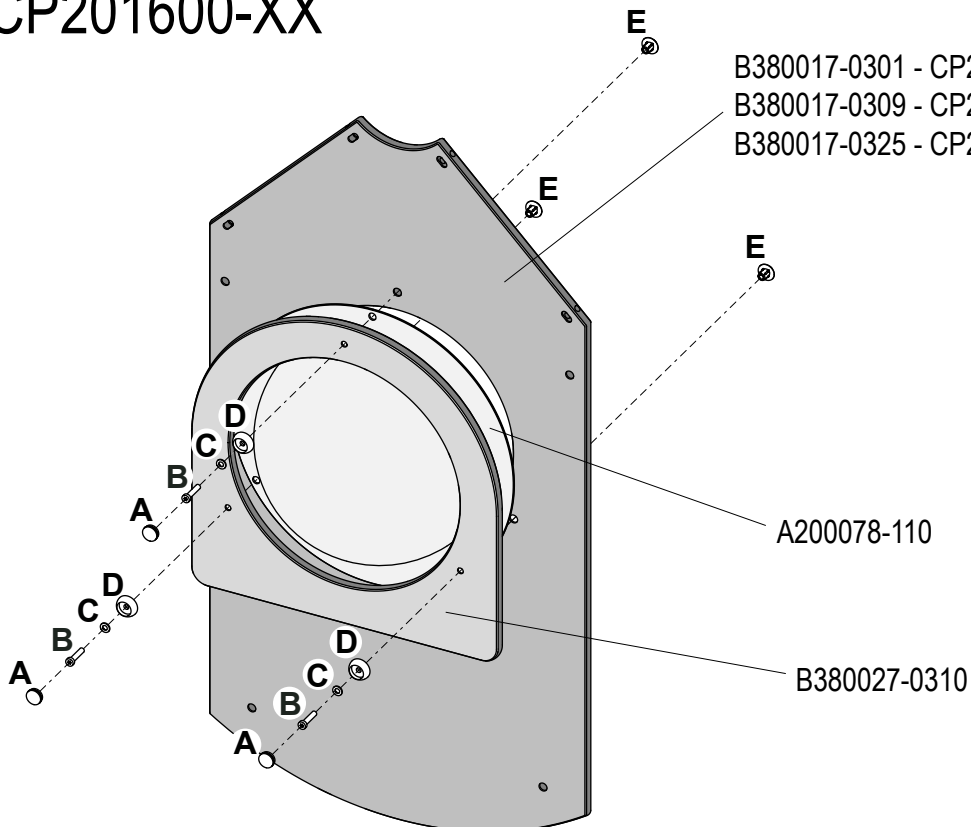
B380027-0310



A200078-110

CP201600-XX

B380017-0301 - CP201600-01
B380017-0309 - CP201600-02
B380017-0325 - CP201600-11



A200078-110

B380027-0310



A



A10015-113

B



210100408025

C



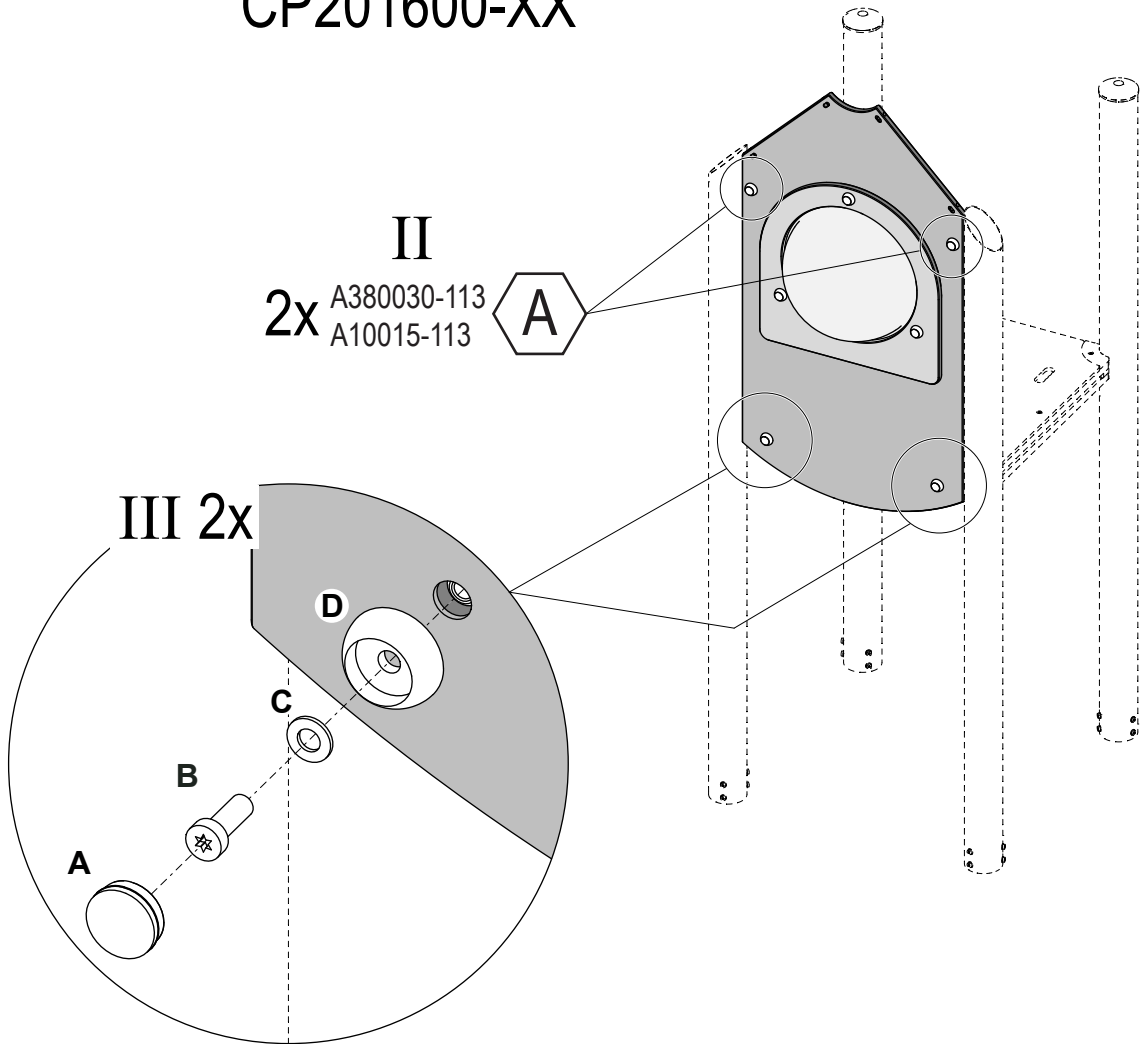
201301008016

D

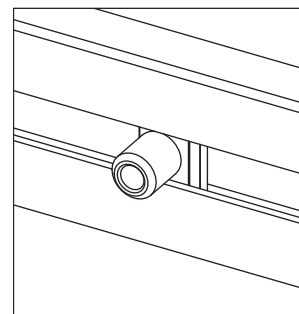
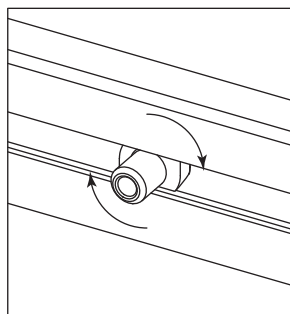
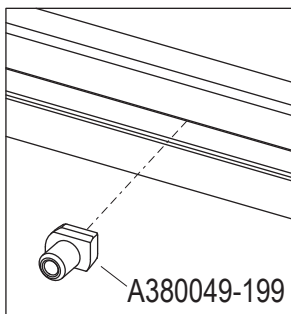


A380030-113

CP201600-XX



 **I 2x**
!!!



A380049-199



A



A10015-113

B



210100408025

C



201301008016

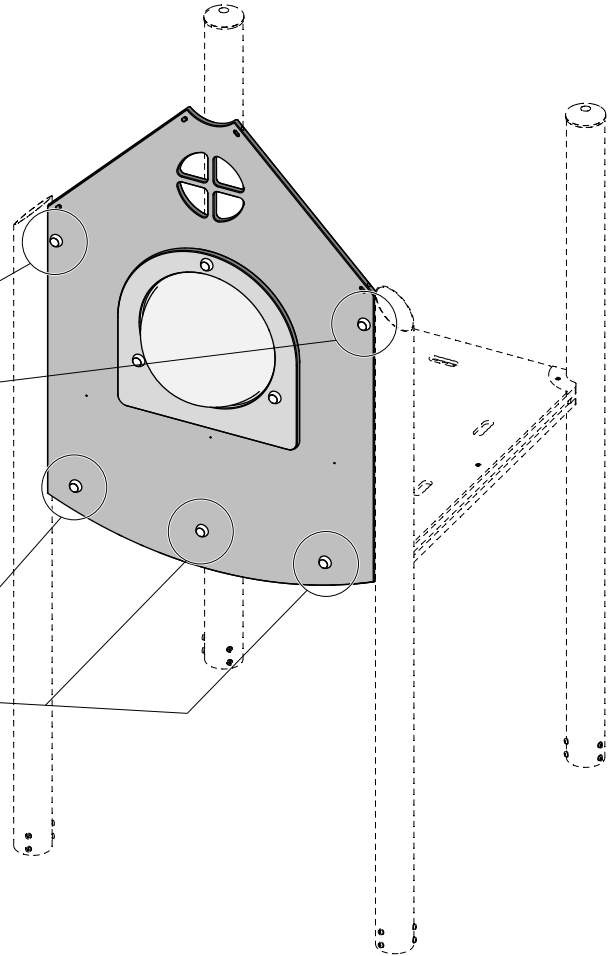
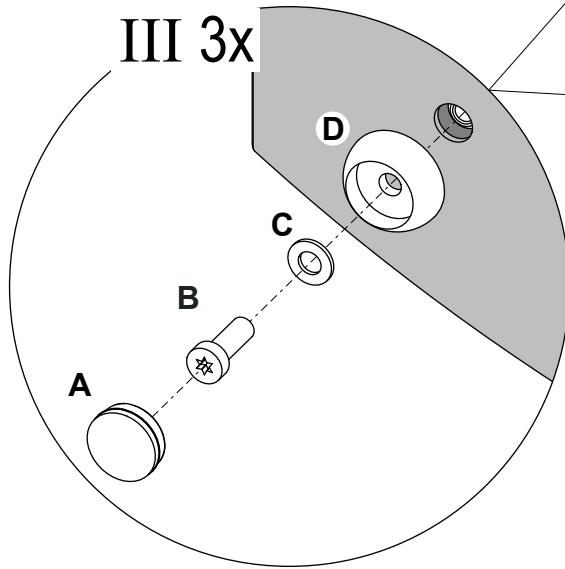
D



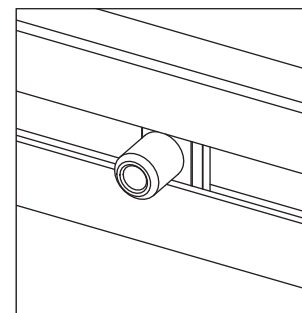
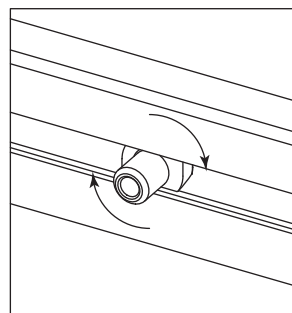
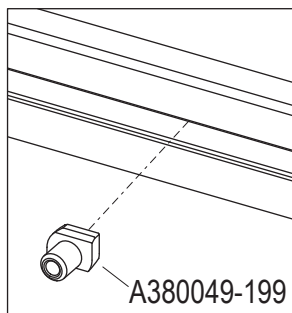
A380030-113

CP201800-XX

II
2x A380030-113
A10015-113



 I 2x



KOMPAN®

CP403100-12

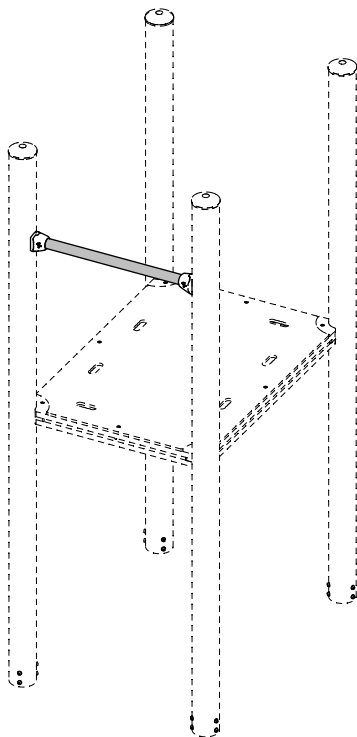
CP403200-05

CP403200-12

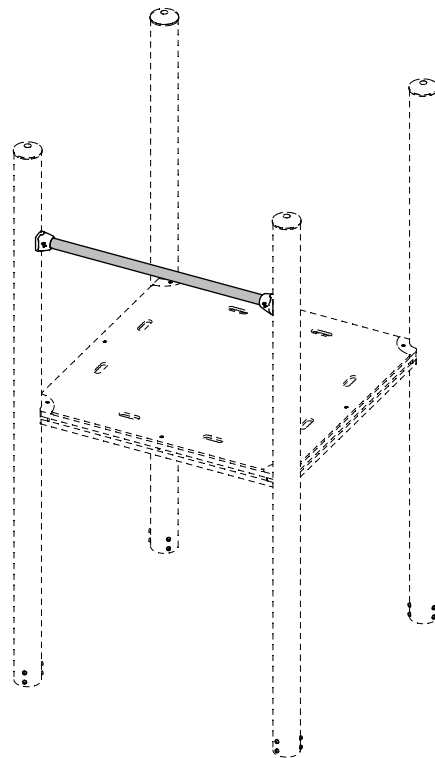
CP403100-05

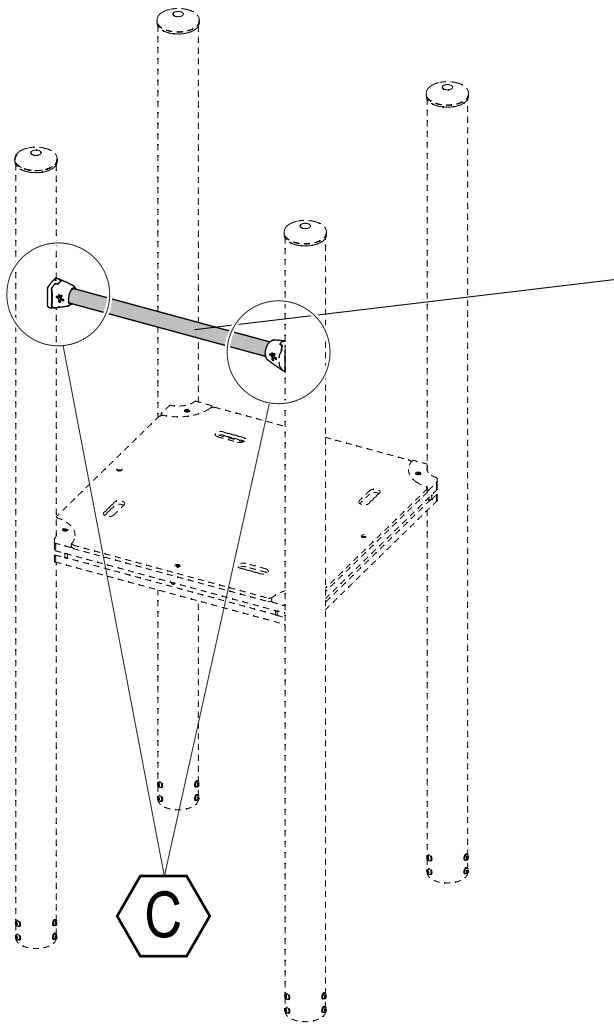
CP403200-23

CP403100



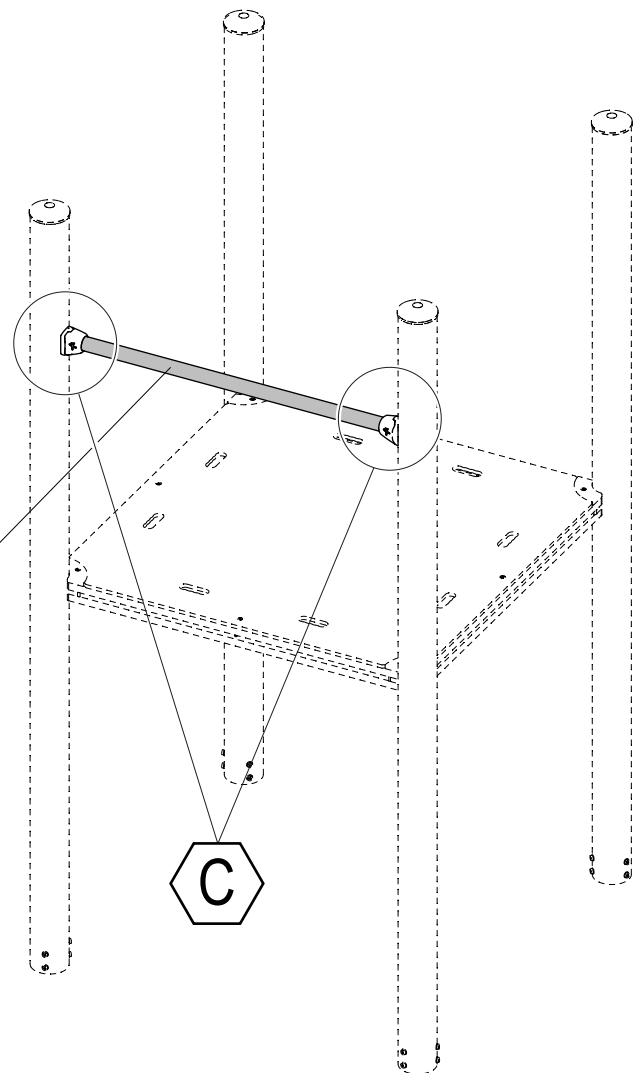
CP403200





A380089-51 - CP403100-05
A380687-112 - CP403100-12

A380071-51 - CP403200-05
A380688-112 - CP403200-12
A380071 - 188AP - CP403200-23



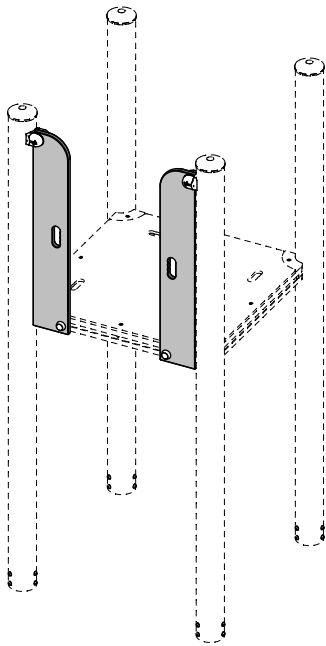
KOMPAN!

CP407500-XX

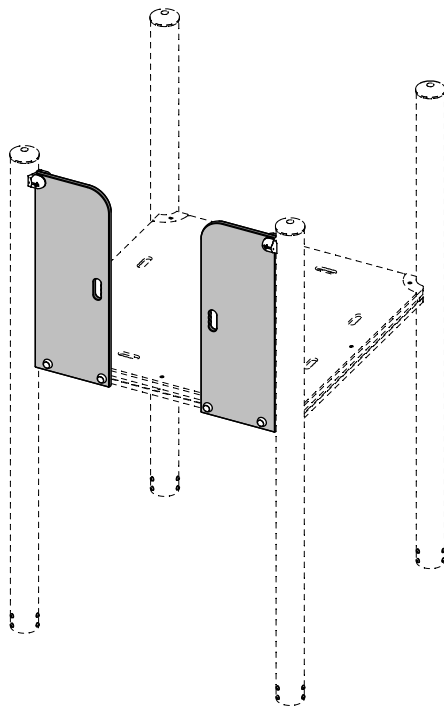
CP407600-XX

CP408700-XX

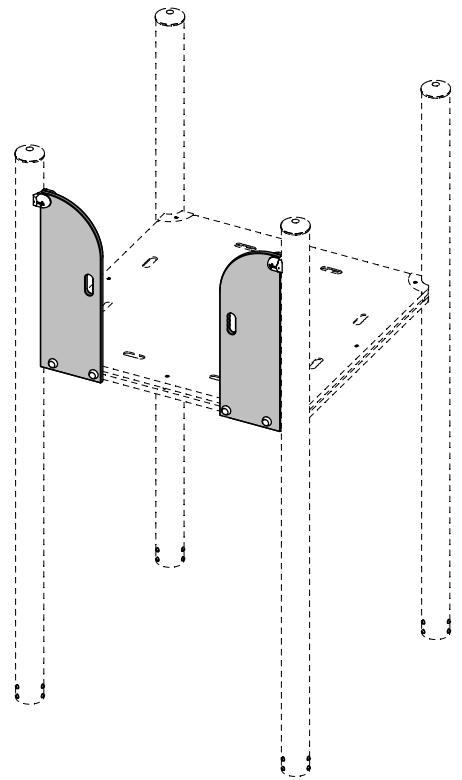
CP407500



CP407600



CP408700





A



A10015-113

B



210100408025

C



201301008016

D

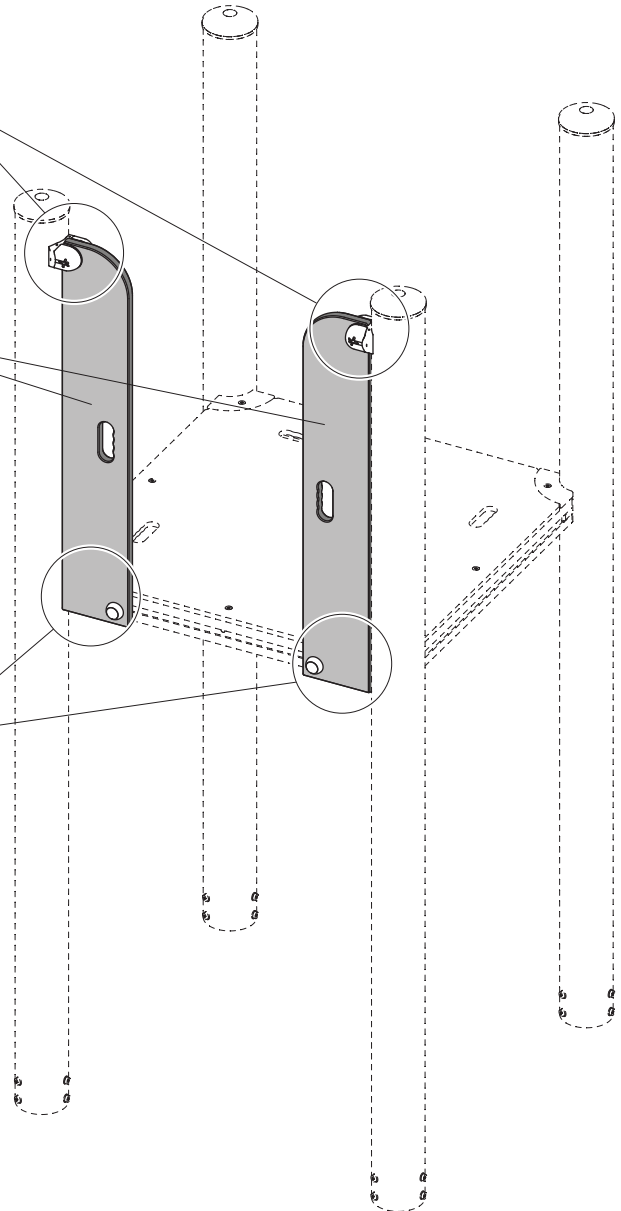


A380030-113

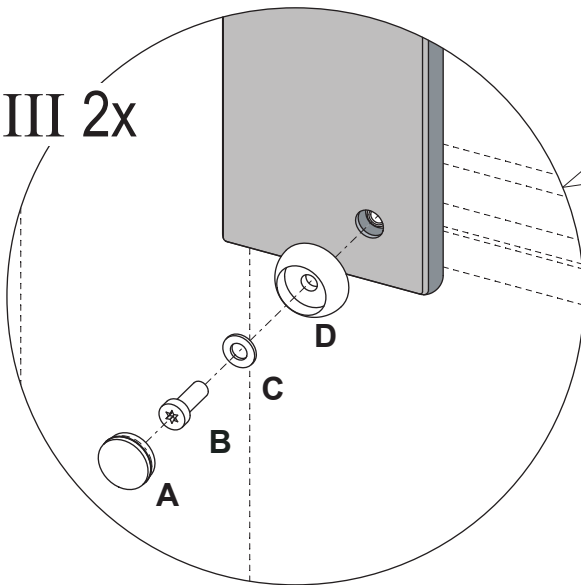
CP407500

- B380366-0301 - CP407500-01
- B380366-0309 - CP407500-02
- B380366-0323 - CP407500-08
- B380366-0325 - CP407500-11
- B380366-0317 - CP407500-18

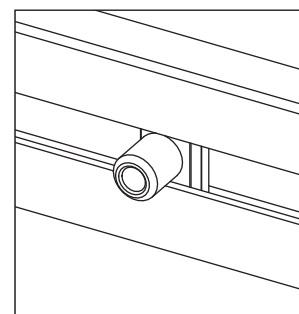
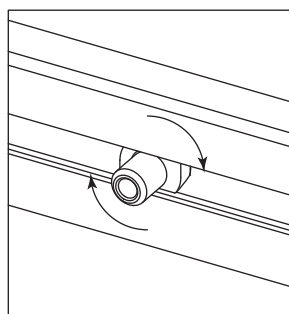
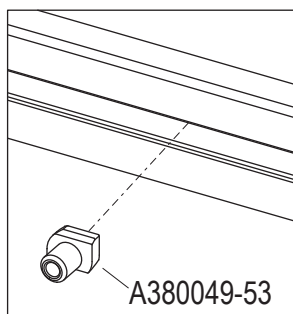
II



III 2x



I 2x
!!!





A



A10015-113

B



210100408025

C



201301008016

D

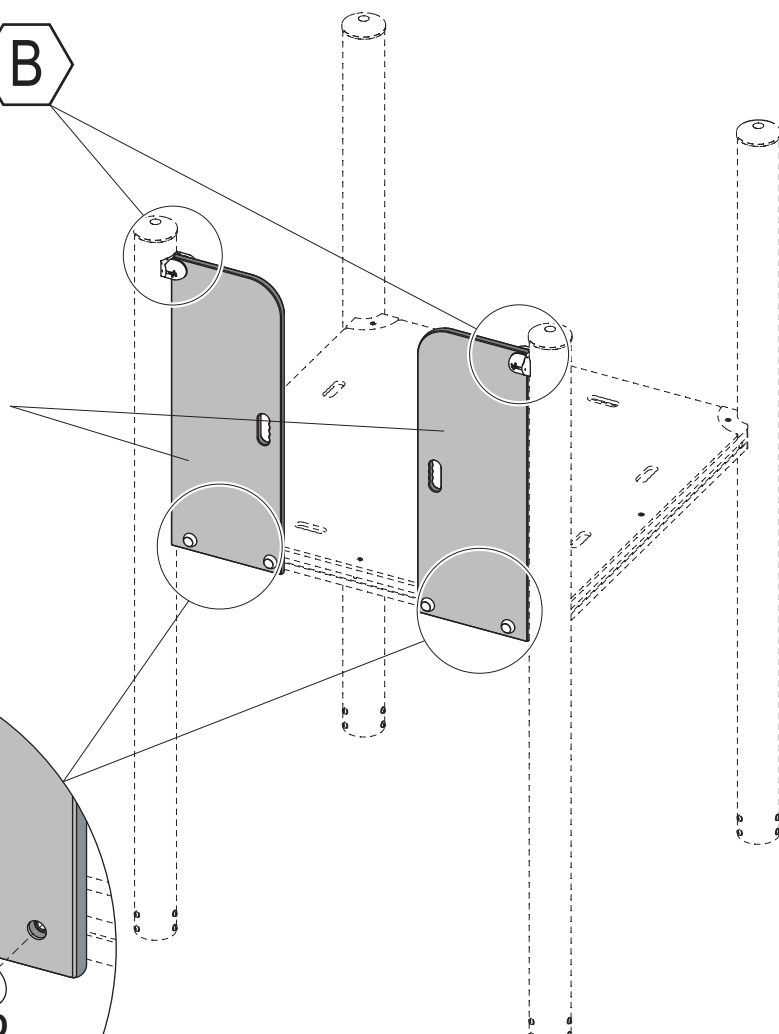


A380030-113

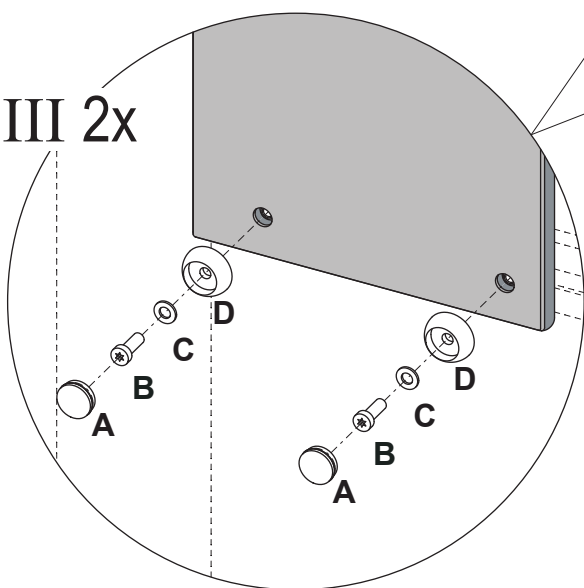
CP407600

II  **B**

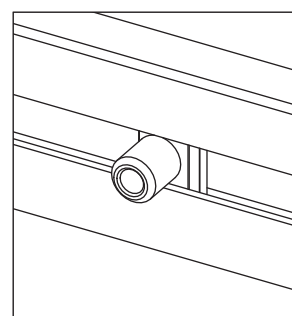
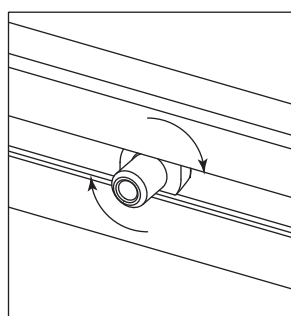
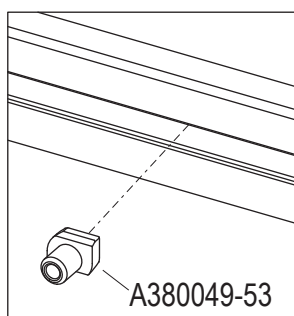
- B380367-0301 - CP407600-01
- B380367-0309 - CP407600-02
- B380367-0310 - CP407600-03
- B380367-0311 - CP407600-04
- B380367-0323 - CP407600-08
- B380367-0325 - CP407600-11
- B380367-0308 - CP407600-14
- B380367-0326 - CP407600-15
- B380367-0317 - CP407600-18
- B380367-0316 - CP407600-64



III 2x



 **I** 4x
!!!





A



A10015-113

B



210100408025

C



201301008016

D



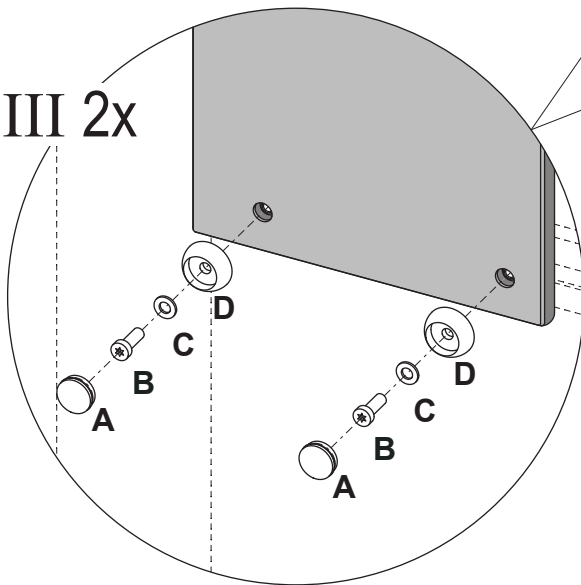
A380030-113

CP408700

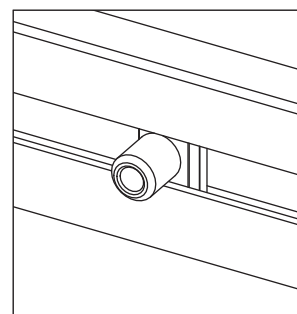
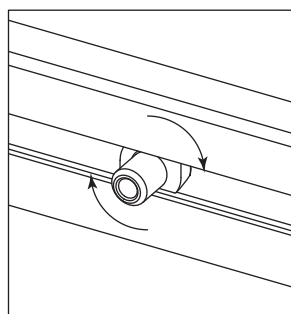
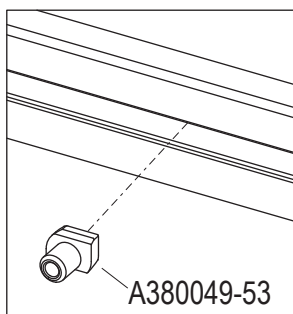
II  **B**

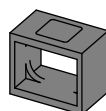
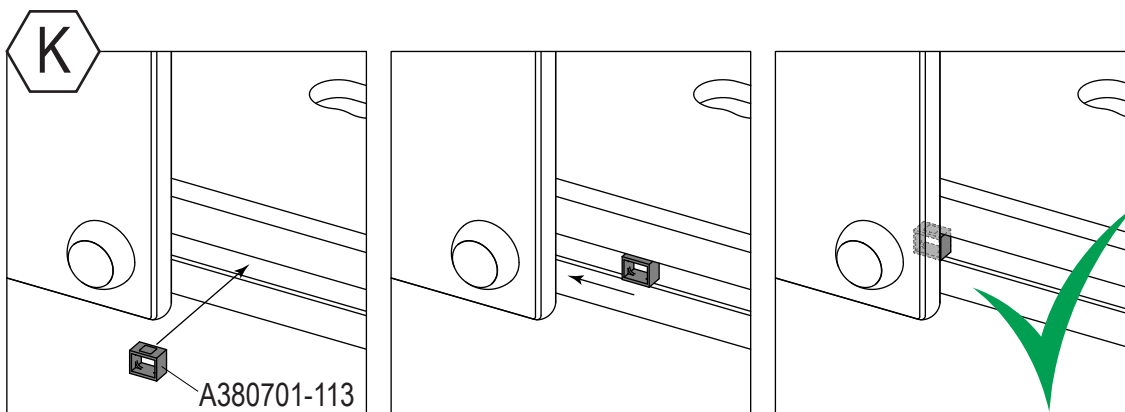
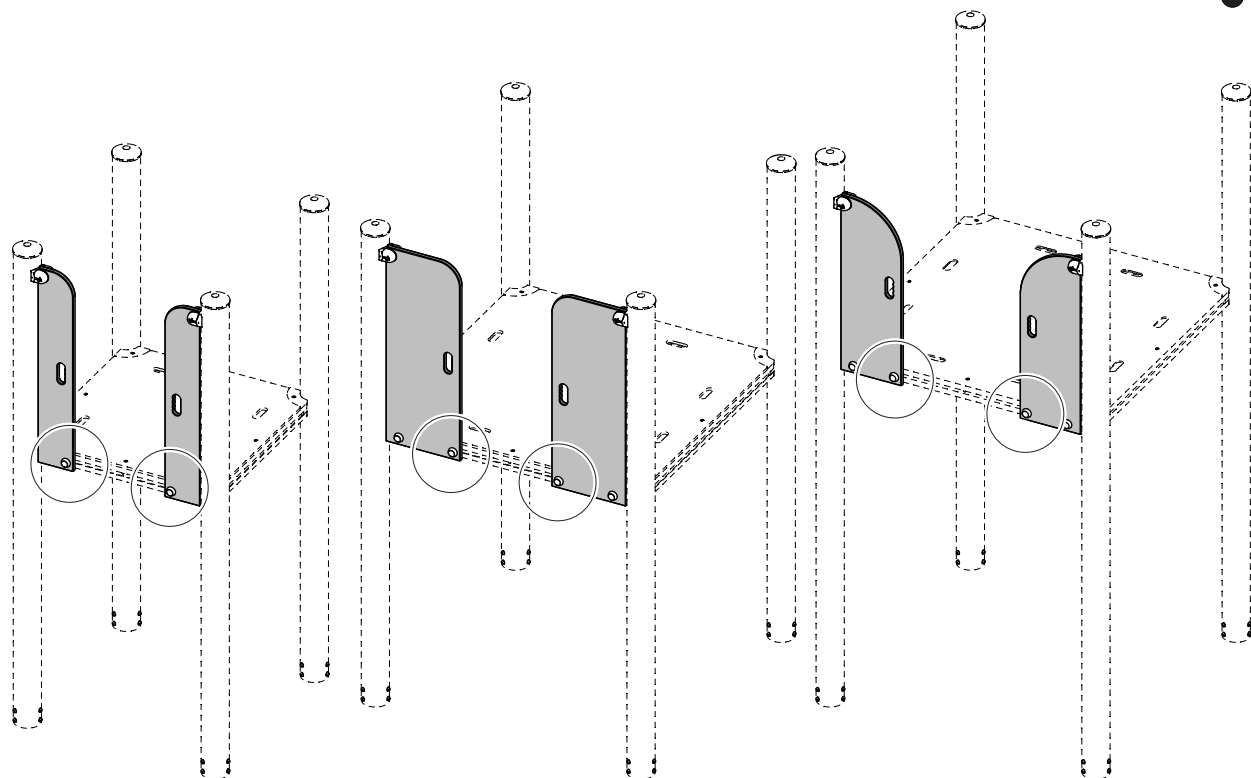
B380647-0301 - CP408700-01
B380647-0309 - CP408700-02
B380647-0323 - CP408700-08

III 2x



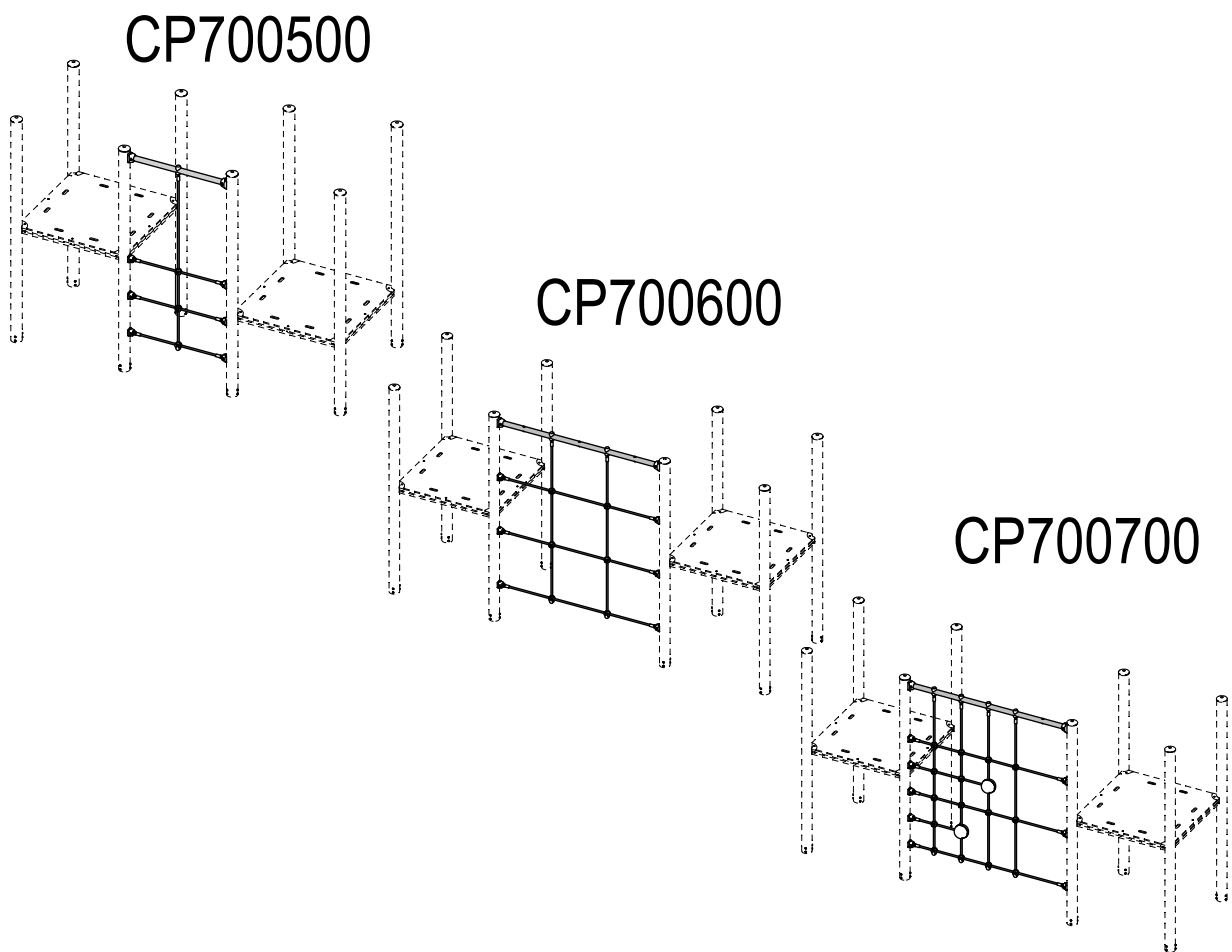
 **I** 4x
!!!





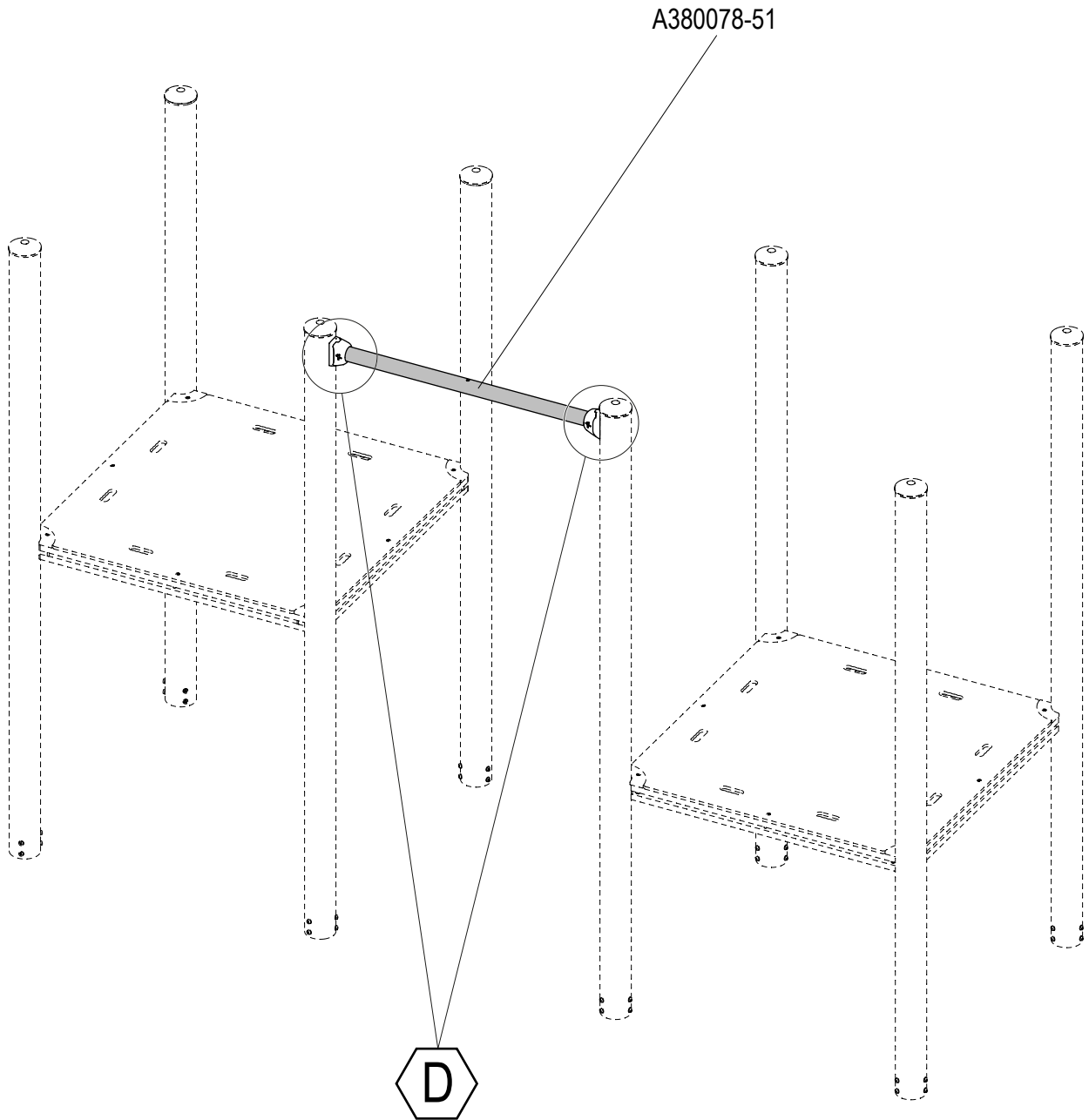
A380701-113

KOMPAN[®]
CP700500-04
CP700600-04
CP700700-04





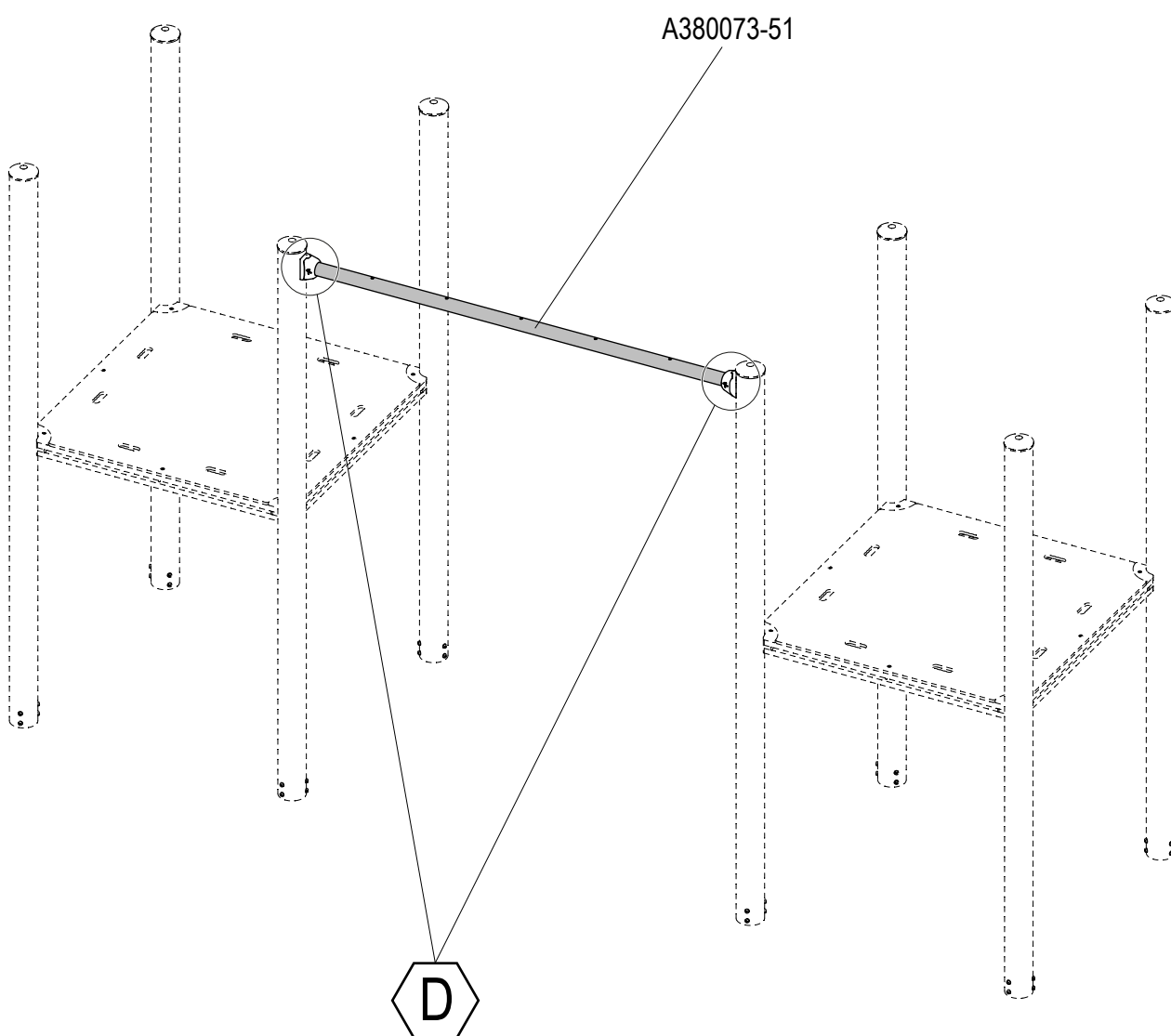
CP700500-04



VCP7005XX 20140723 JarHru



CP700600-04
CP700700-04





A



A10016-06

B



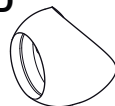
400108

C



708524

D



A864002-06

E



A866102-06

F



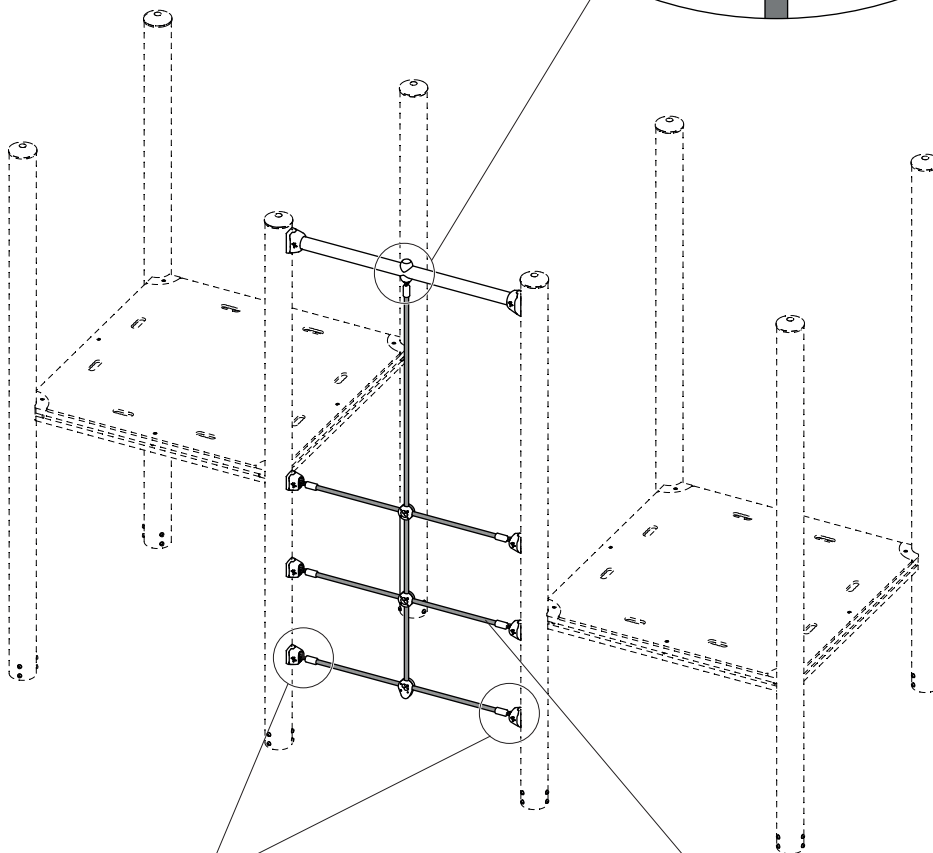
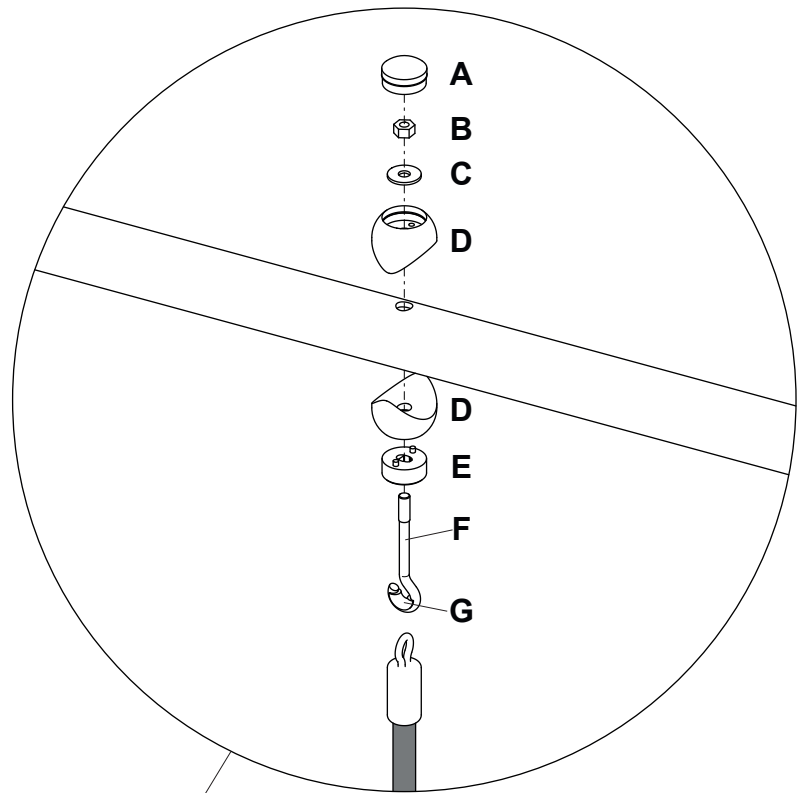
900895

G



A866101-06

CP700500-04



6x **G**

N380004-07



A



A10016-06

B



400108

C



708524

D



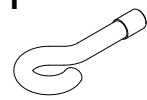
A864002-06

E



A866102-06

F



900895

G



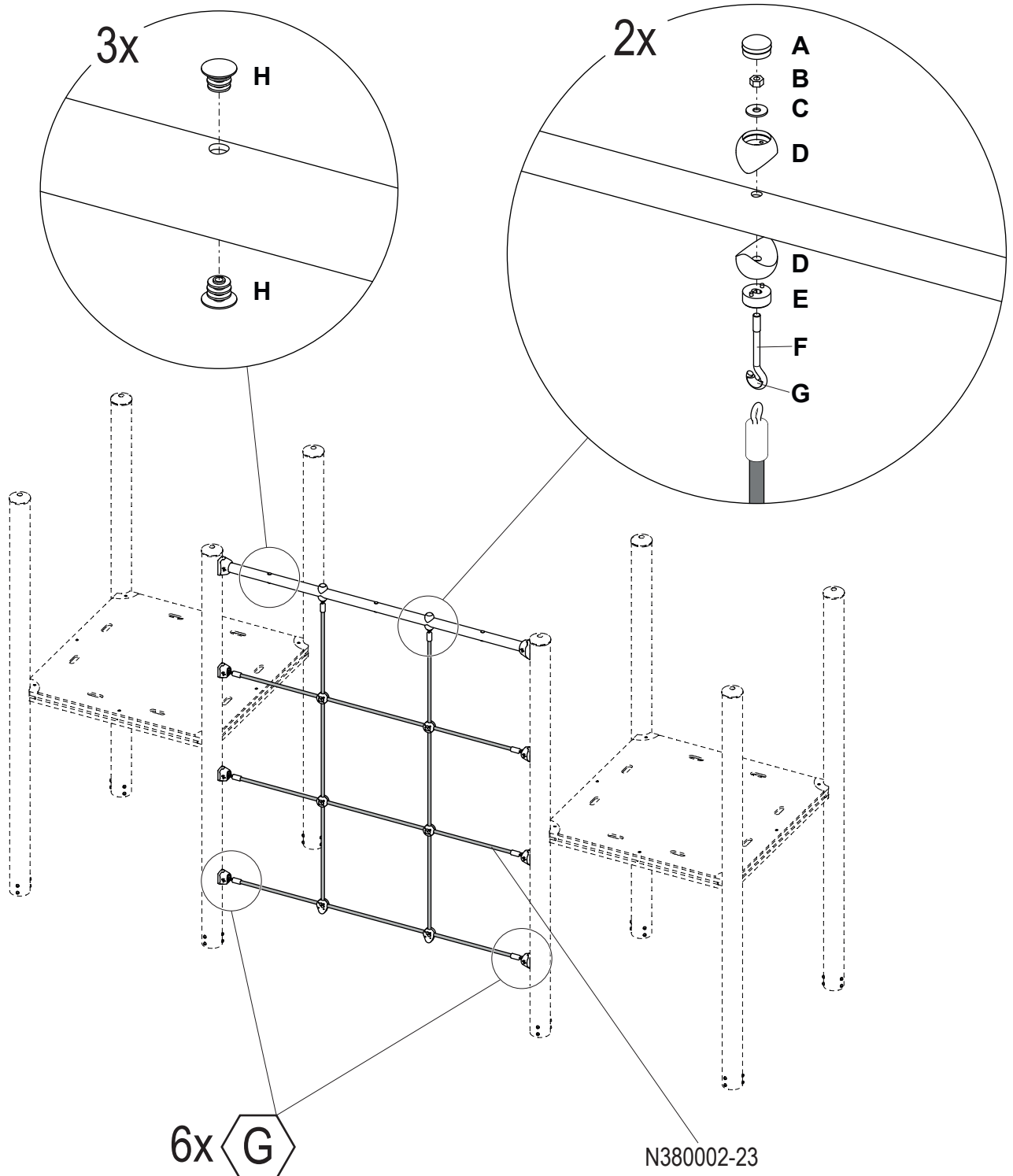
A866101-06

H



A640009-06

CP700600-04



VCP7005XX 20140723 JarHru



A



A10016-06

B



400108

C



708524

D



A864002-06

E



A866102-06

F



900895

G



A866101-06

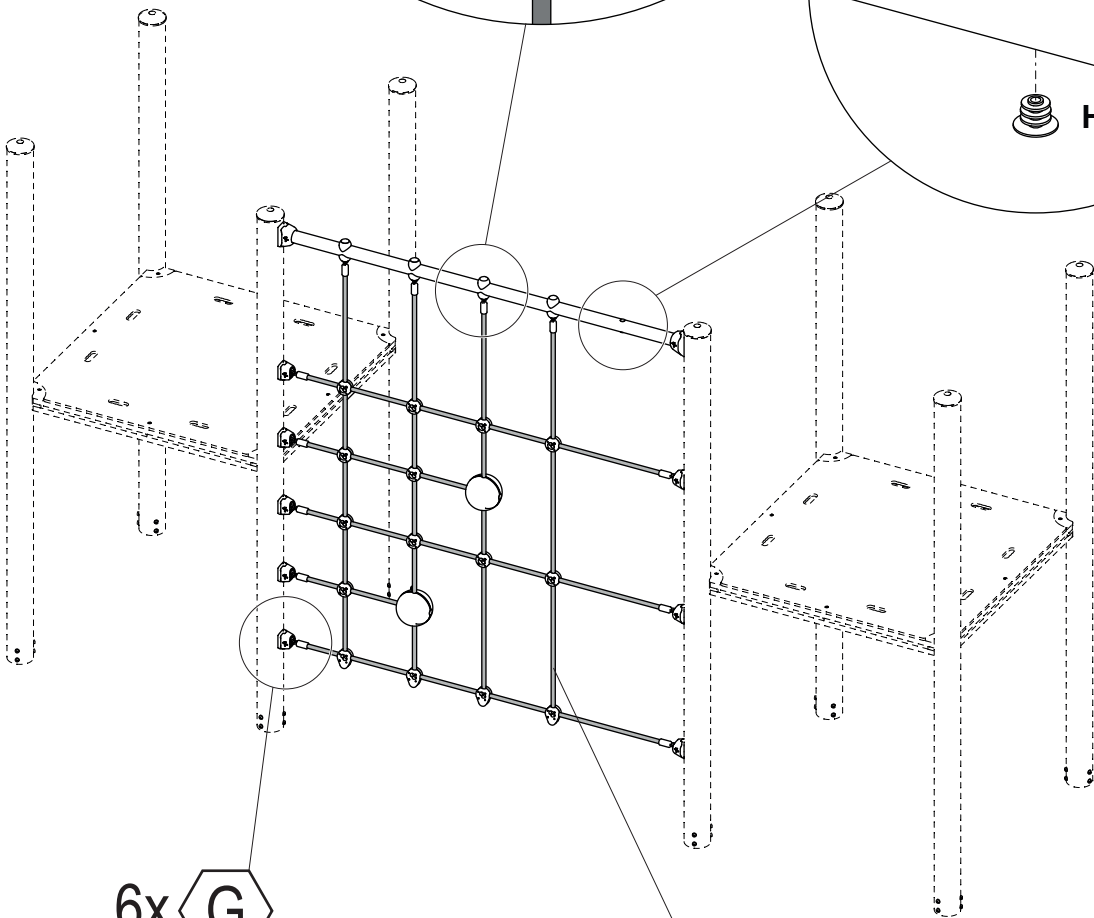
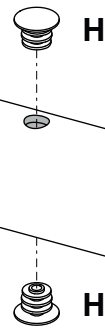
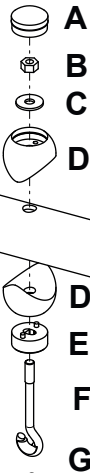
H



A640009-06

CP700700-04

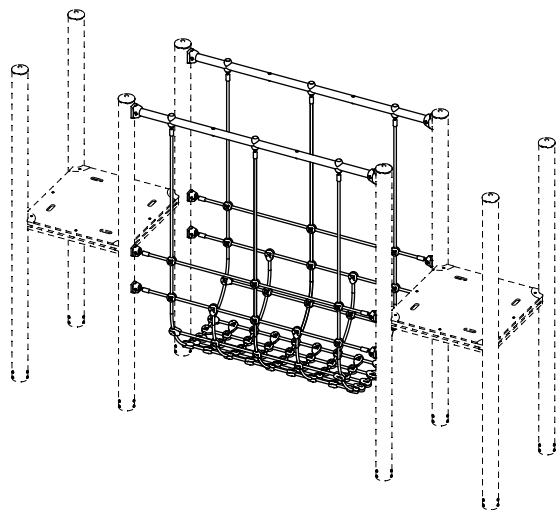
4x



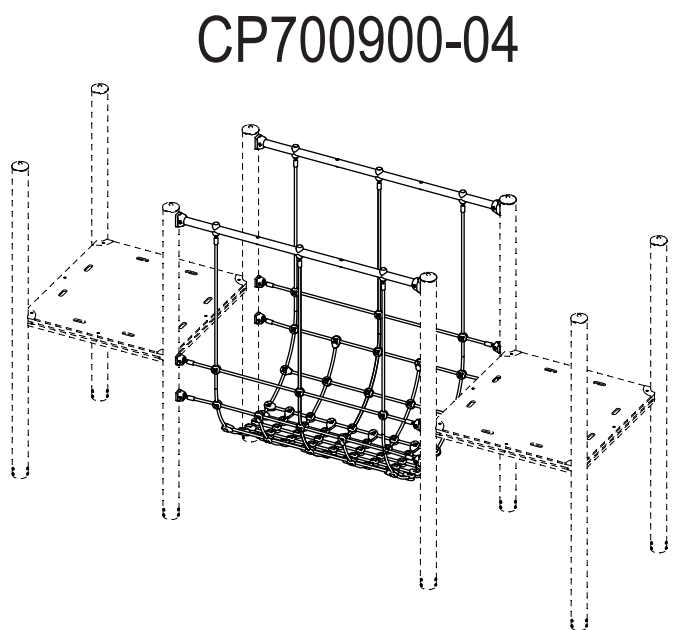
6x **G**

N380003-23

KOMPAN[®]
CP700800-04
CP700900-04



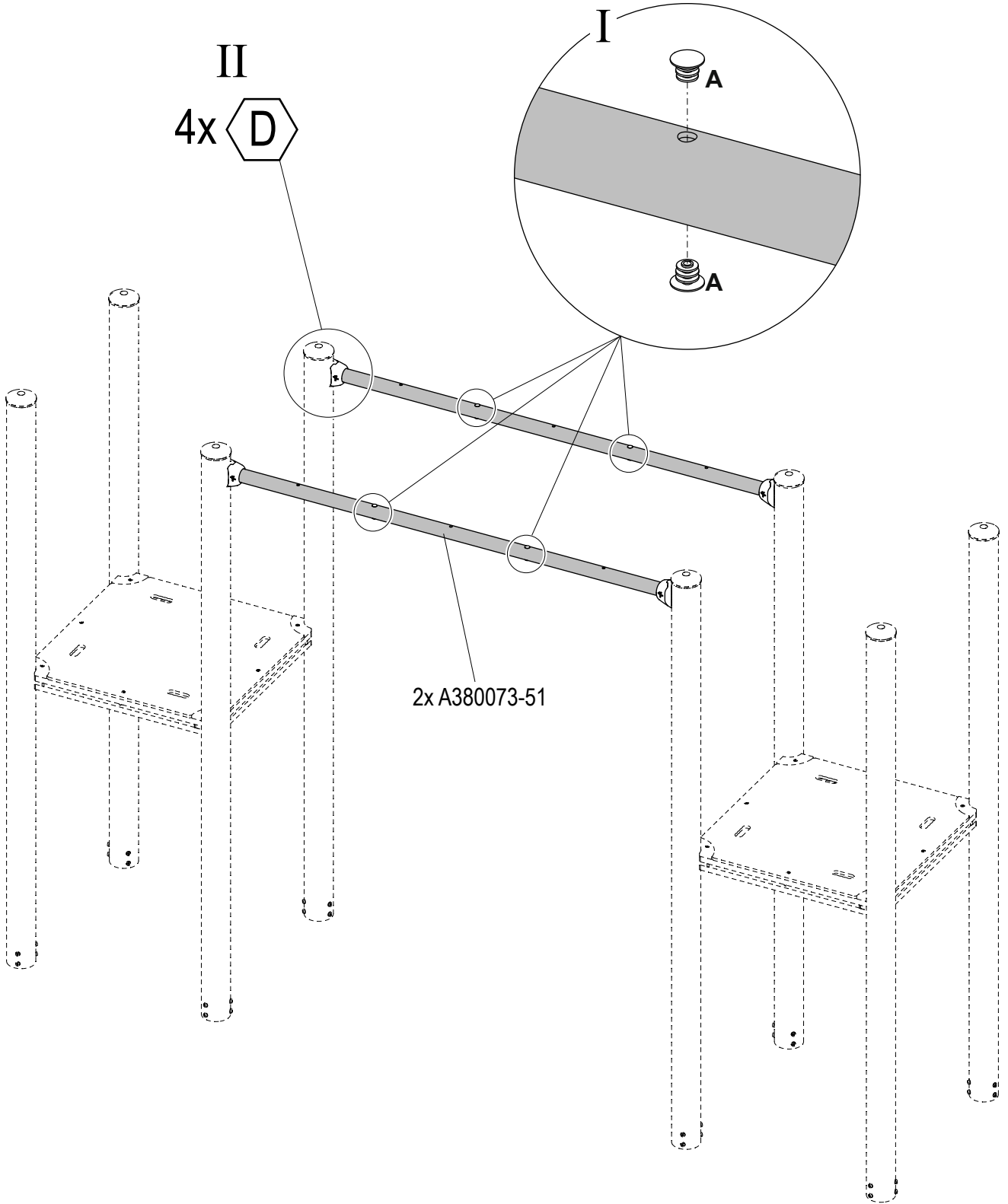
CP700800-04



A



A640009-06





A



A10016-06

B



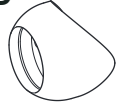
400108

C



708524

D



A864002-06

E



A866102-06

F



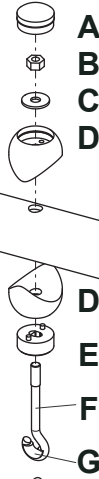
900895

G

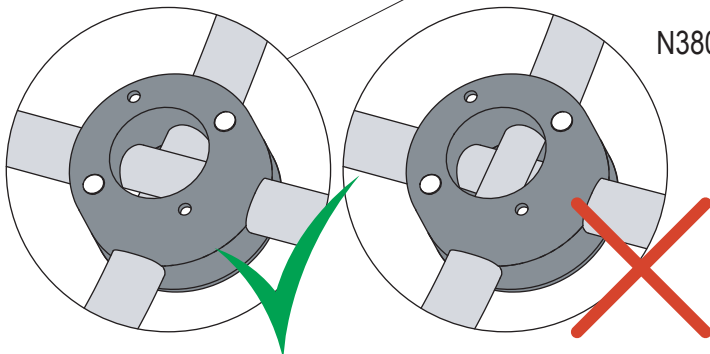
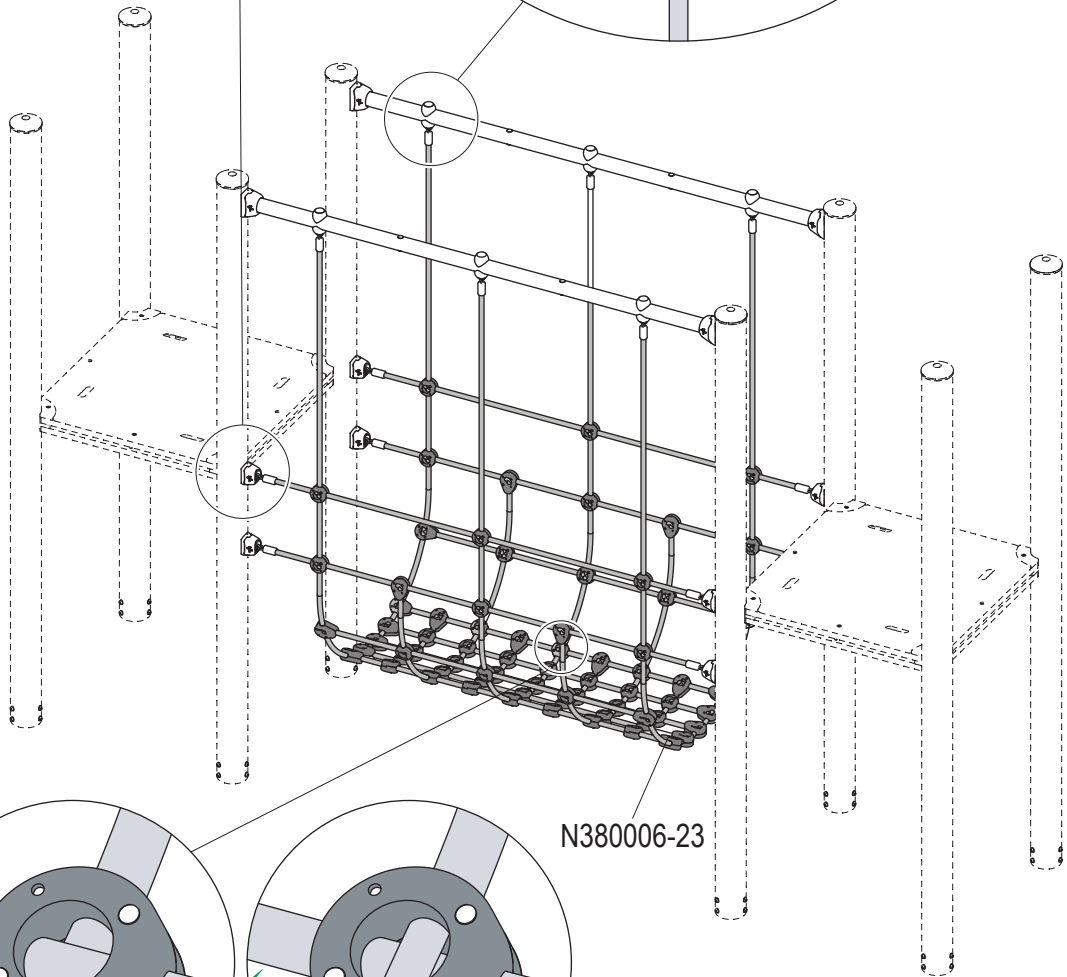


A866101-06

I 6x



II 8x **G**



N380006-23



CP800100-04

CP800100-08

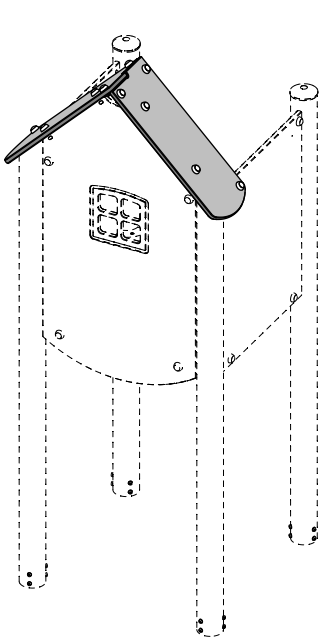
CP800200-04

CP800200-08

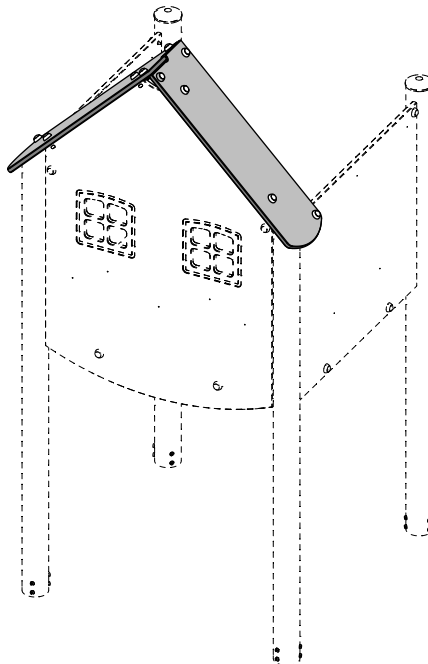
CP800300-04

CP800300-08

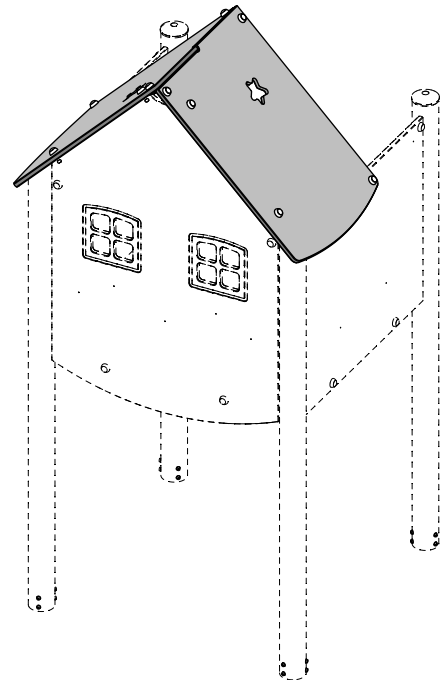
CP800100



CP800200



CP800300





A



A10015-113

B



210100408025

C



201301008016

D



A380030-113

E



A380135-51

F



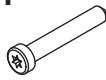
A380025-199

G



A400334-128

H



210100408055

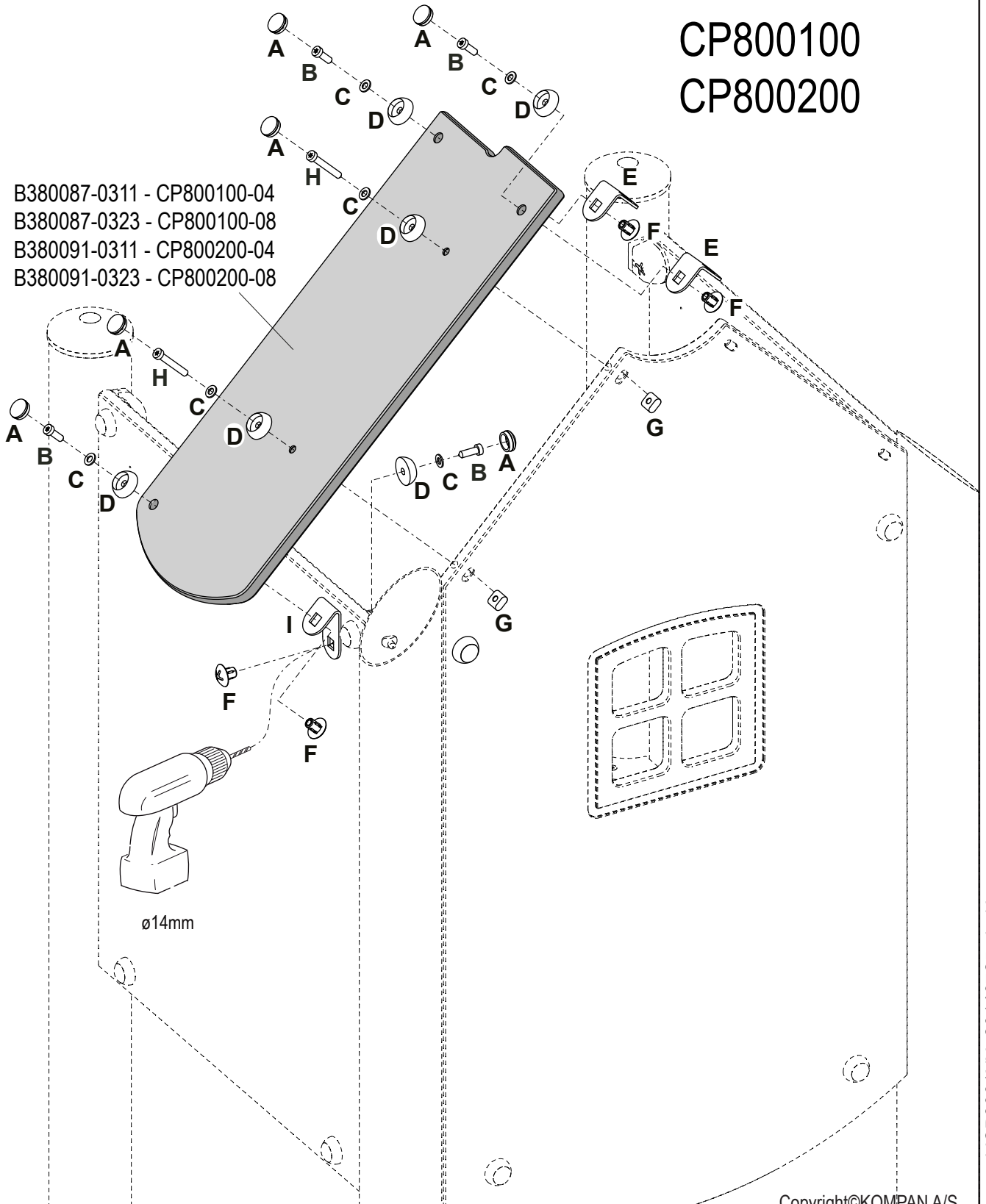
I



A380136-51





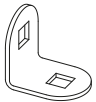


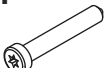

CP800100
CP800200

B380087-0311 - CP800100-04
B380087-0323 - CP800100-08
B380091-0311 - CP800200-04
B380091-0323 - CP800200-08



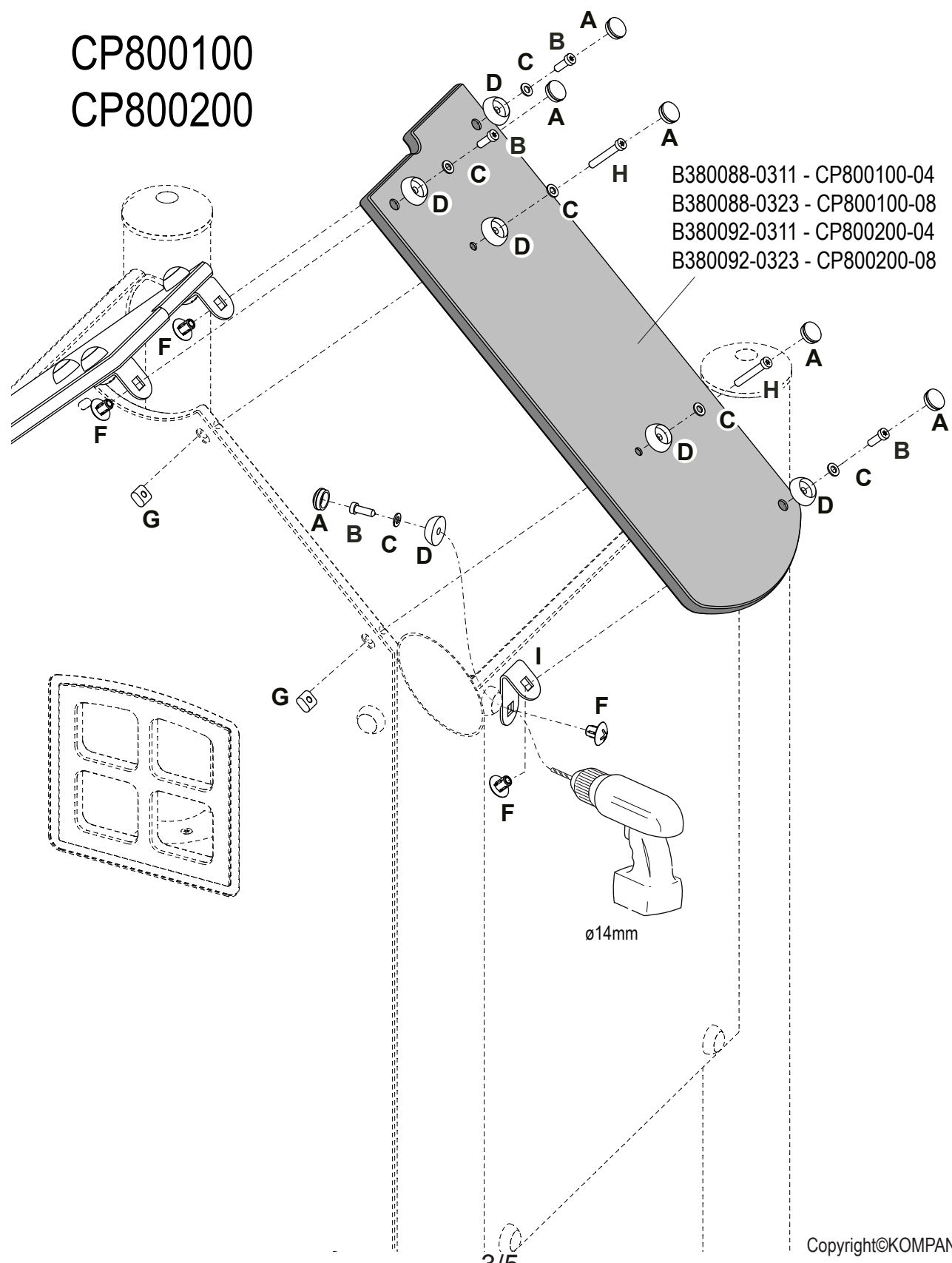
Ø14mm



- A**

 A10015-113
- B**

 210100408025
- C**

 201301008016
- D**

 A380030-113
- E**

 A380135-51
- F**

 A380025-199
- G**

 A400334-128
- H**

 210100408055
- I**

 A380136-51

CP800100 CP800200

- B380088-0311 - CP800100-04
- B380088-0323 - CP800100-08
- B380092-0311 - CP800200-04
- B380092-0323 - CP800200-08



ø14mm



A



A10015-113

B



210100408025

C



201301008016

D



A380030-113

E



A380135-51

F



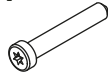
A380025-199

G



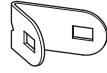
A400334-128

H



210100408055

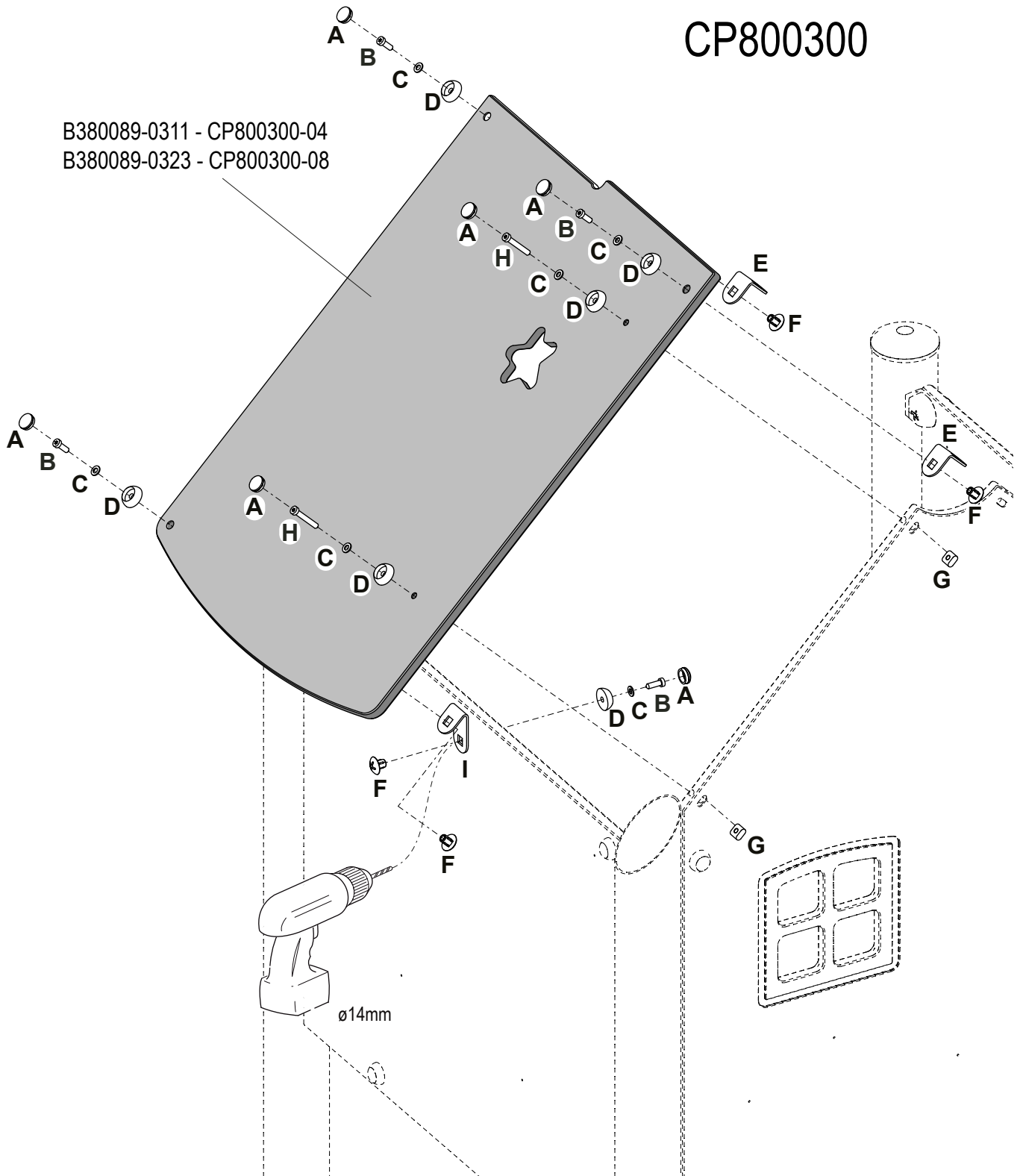
I



A380136-51

CP800300

B380089-0311 - CP800300-04
B380089-0323 - CP800300-08



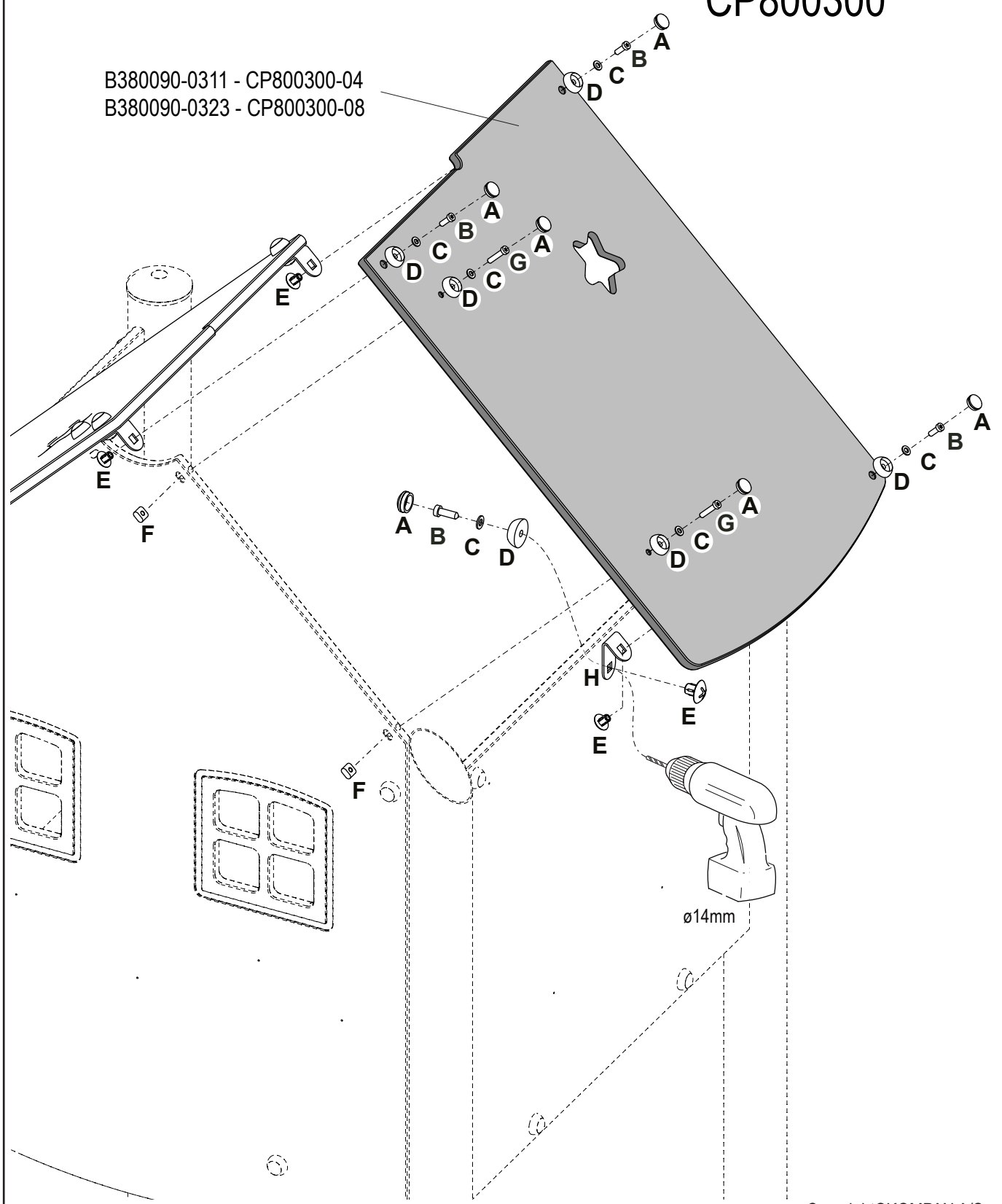


- A** A10015-113
- B** 210100408025
- C** 201301008016
- D** A380030-113
- E** A380025-199

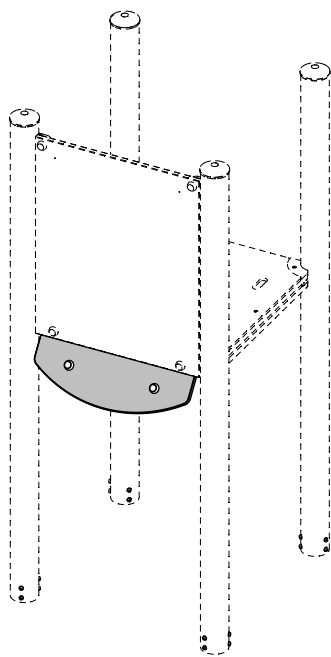
- F** A400334-128
- G** 210100408055
- H** A380136-51

CP800300

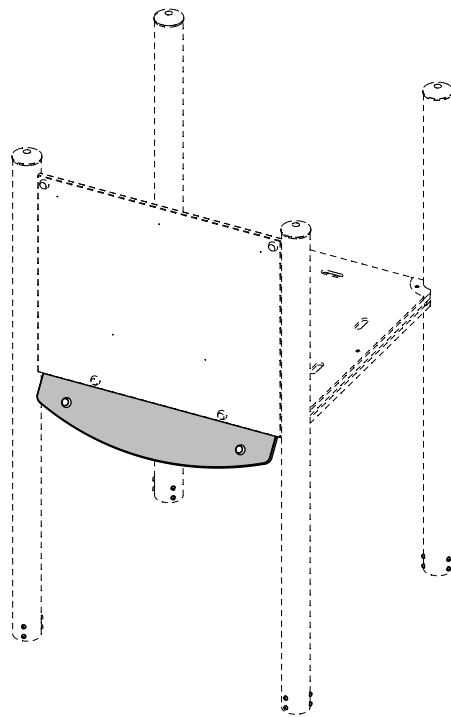
B380090-0311 - CP800300-04
B380090-0323 - CP800300-08



CP810700



CP810800





A



A10015-113

B



210100408025

C



201301008016

D



A380030-113

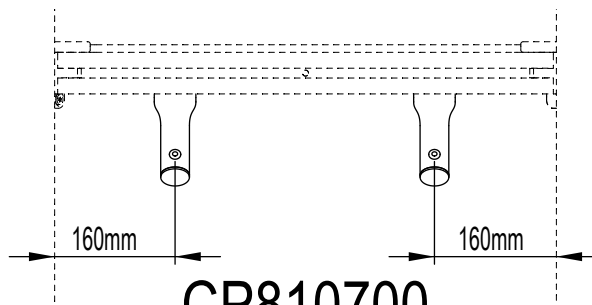
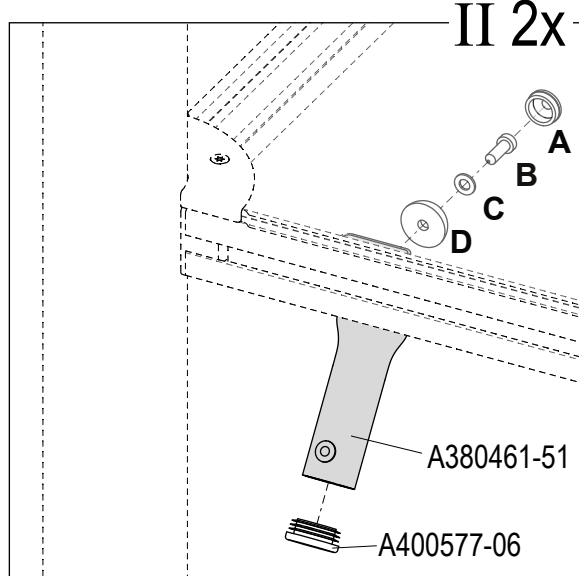
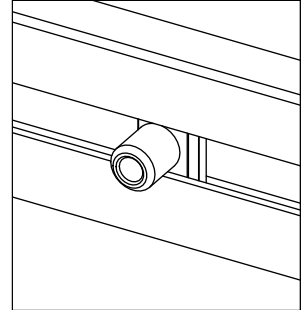
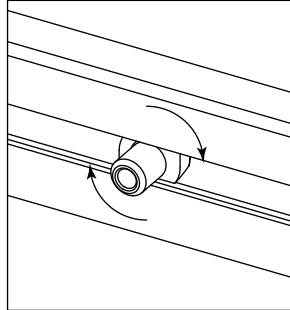
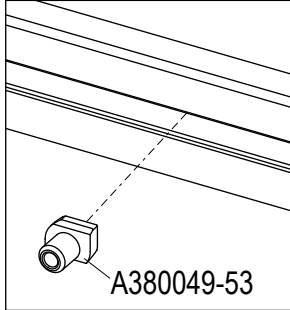
E



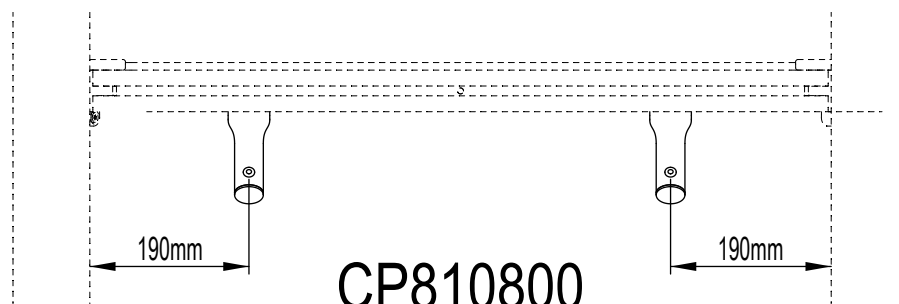
250100408040



I 2x



CP810700



CP810800



A



A10015-113

B



250100408040

C



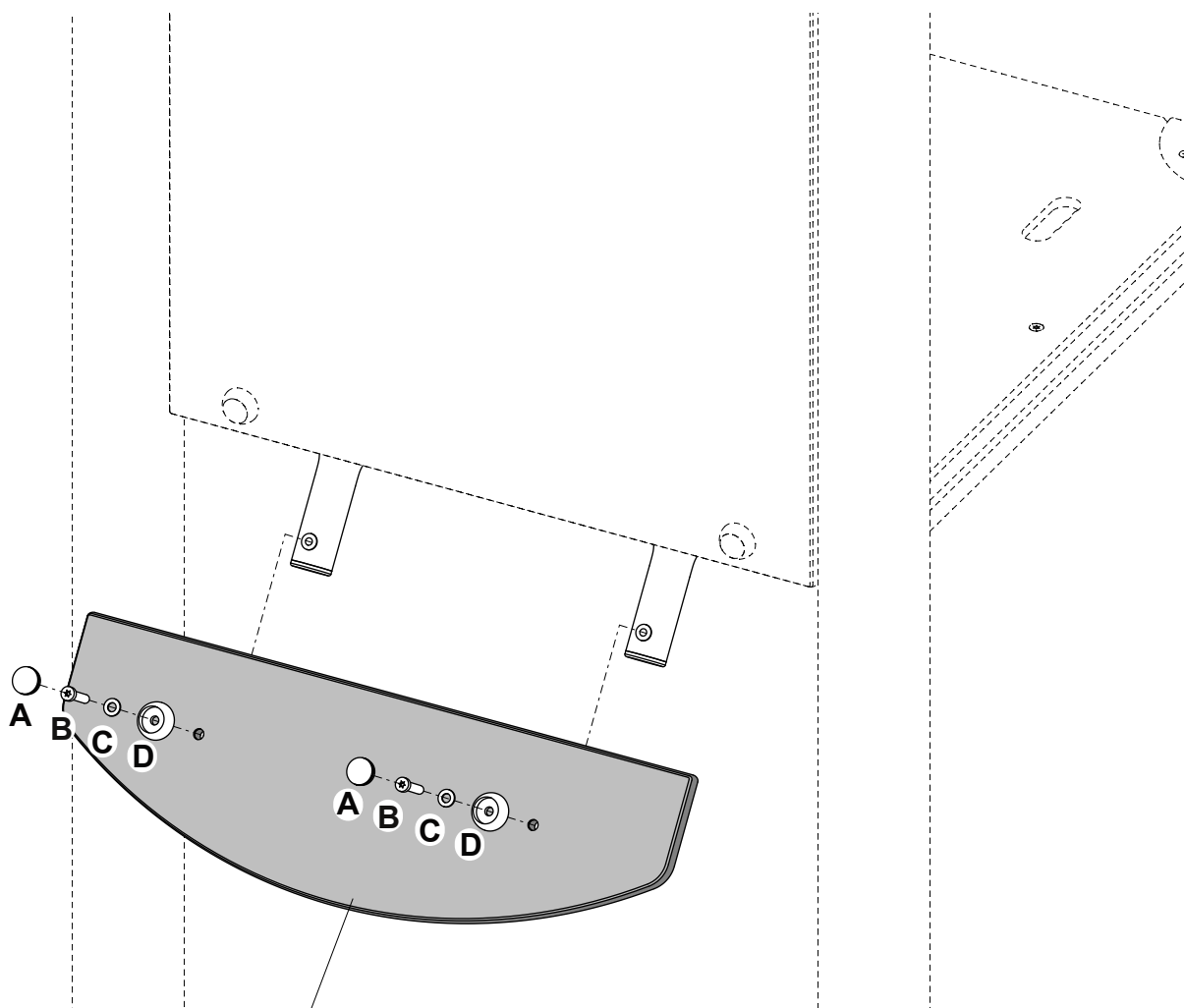
201301008016

D

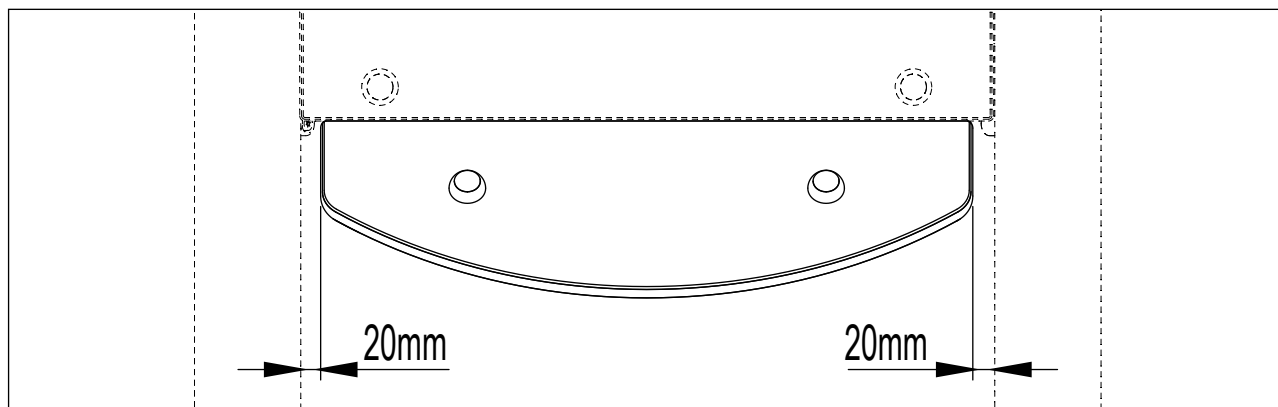


A380030-113

CP810700



B380108-0311 - CP810700-04
B380108-0323 - CP810700-08



VCP8107XX 20140724 PetrJu

Copyright©KOMPAN A/S



A



A10015-113

B



250100408040

C



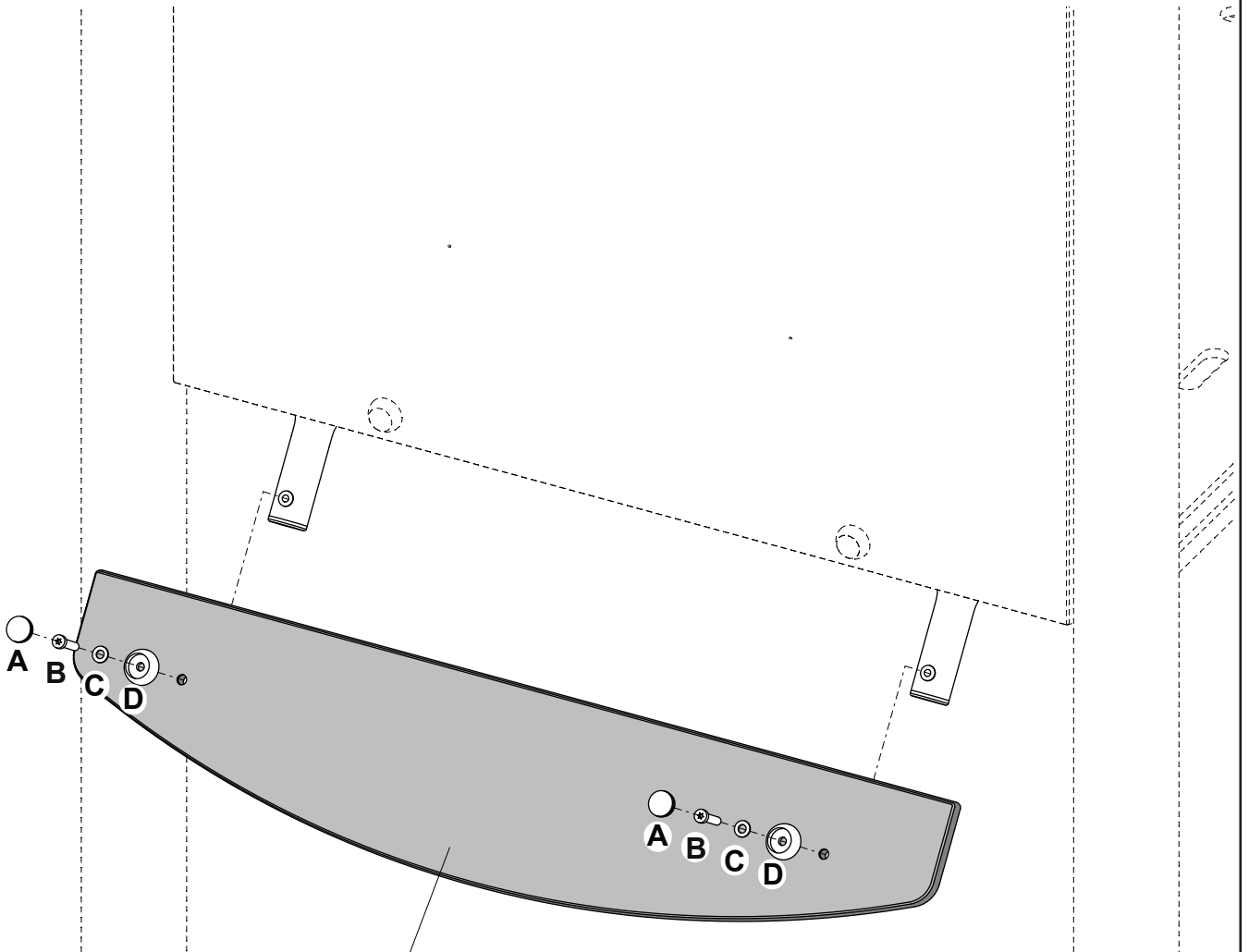
201301008016

D

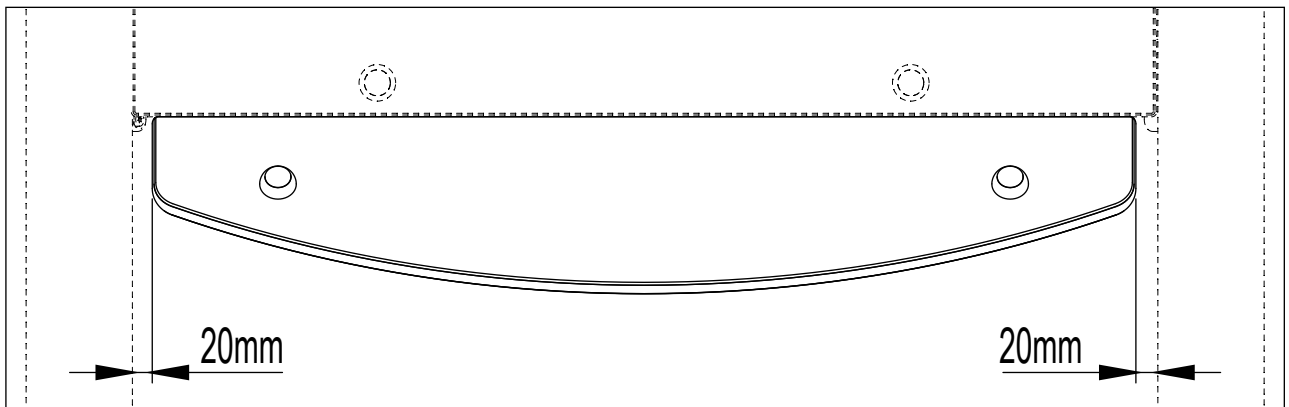


A380030-113

CP810800



B380096-0311 - CP810800-04
B380096-0323 - CP810800-08



VCP8107XX 20140724 PetrJu

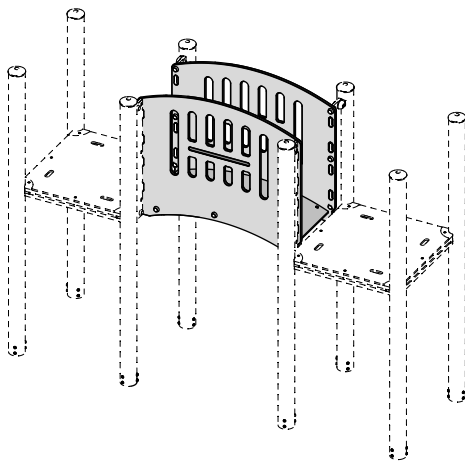


CP700100-04 CP700100-08

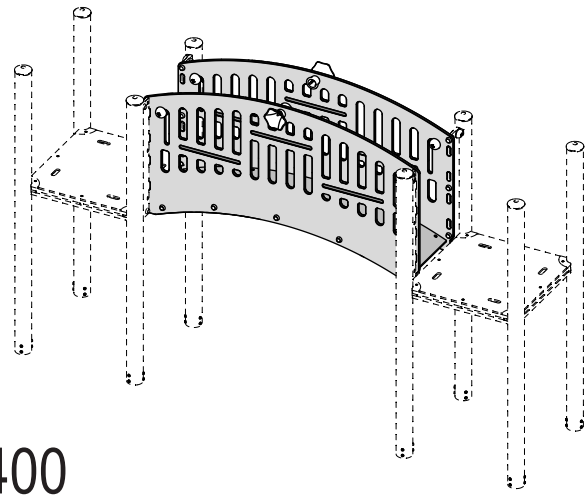
CP700300-04 CP700300-08

CP700400-04 CP700400-08

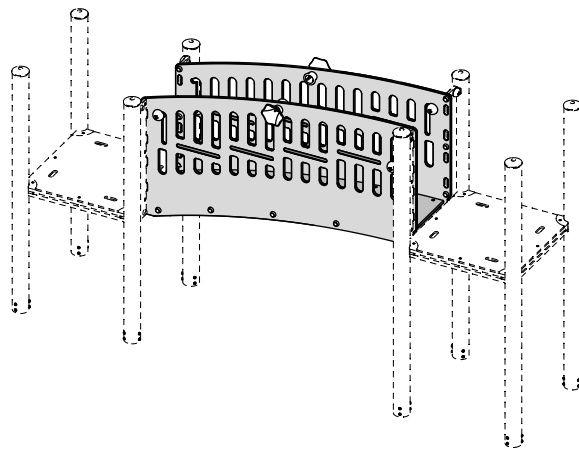
CP700100




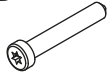



CP700300



CP700400

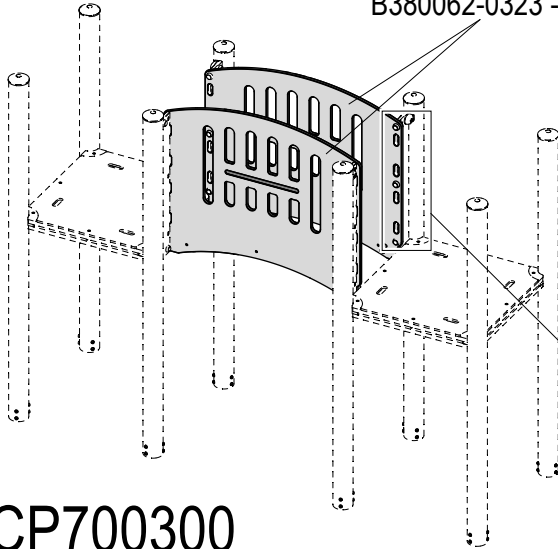




- A

A10015-113
- B

210100408055
- C

201301008016
- D

A380030-113
- E

A400334-128

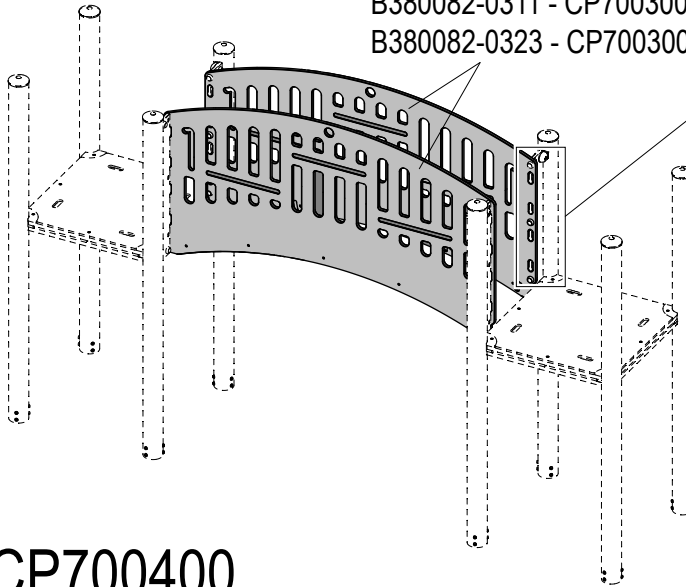
CP700100

B380062-0311 - CP700100-04
B380062-0323 - CP700100-08



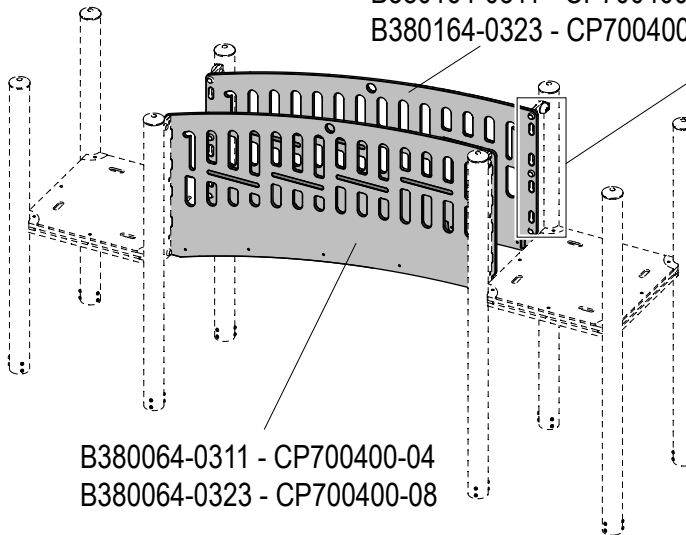
CP700300

B380082-0311 - CP700300-04
B380082-0323 - CP700300-08

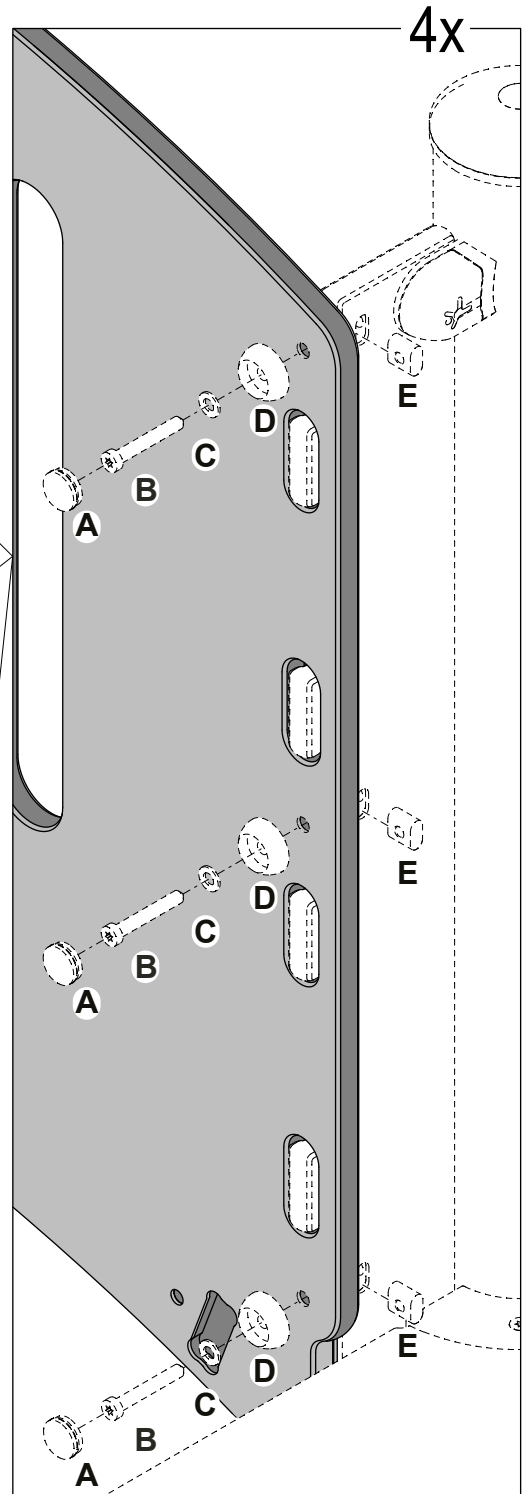


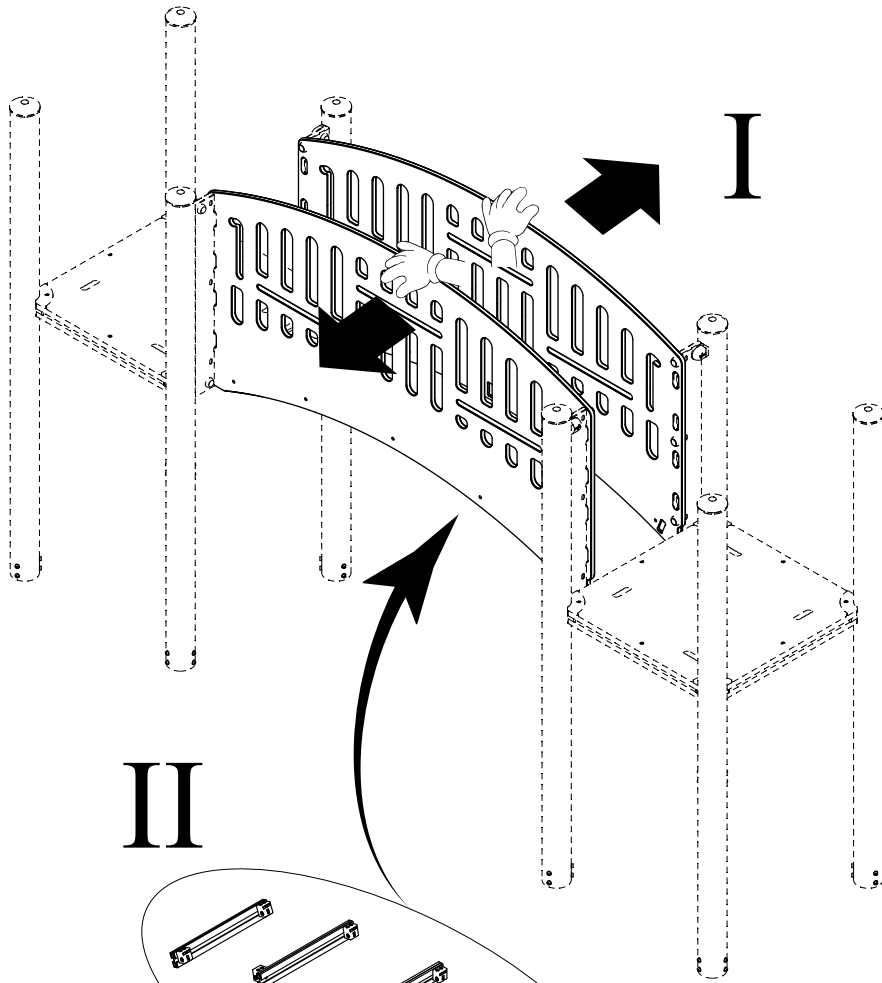
CP700400

B380164-0311 - CP700400-04
B380164-0323 - CP700400-08

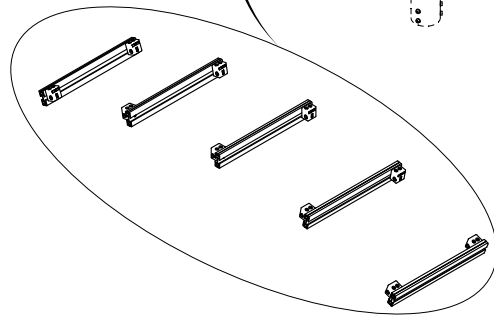


B380064-0311 - CP700400-04
B380064-0323 - CP700400-08

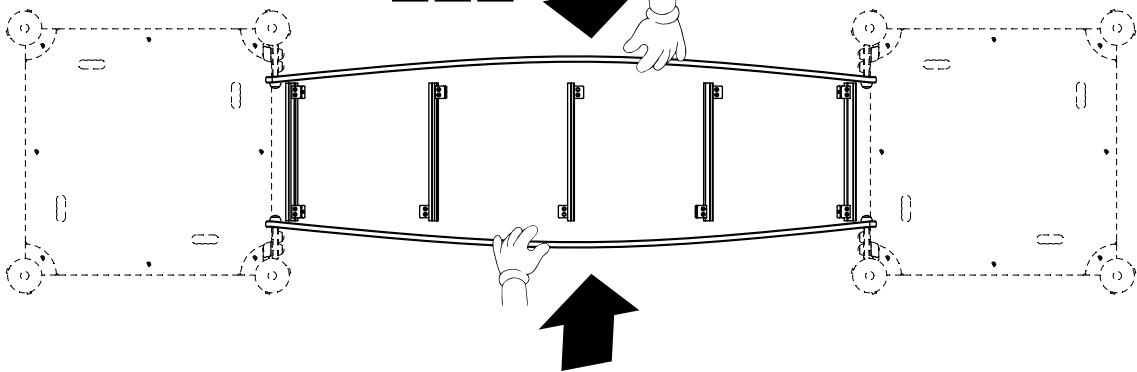




II



III



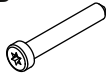


A



A10015-113

B



210100408055

C



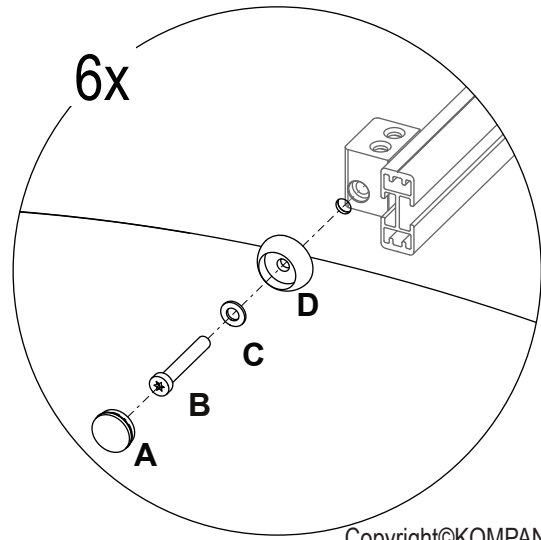
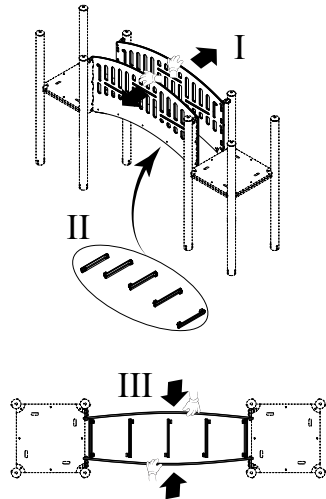
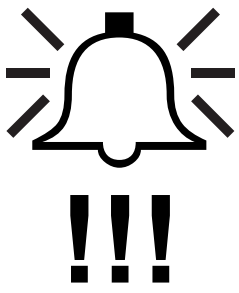
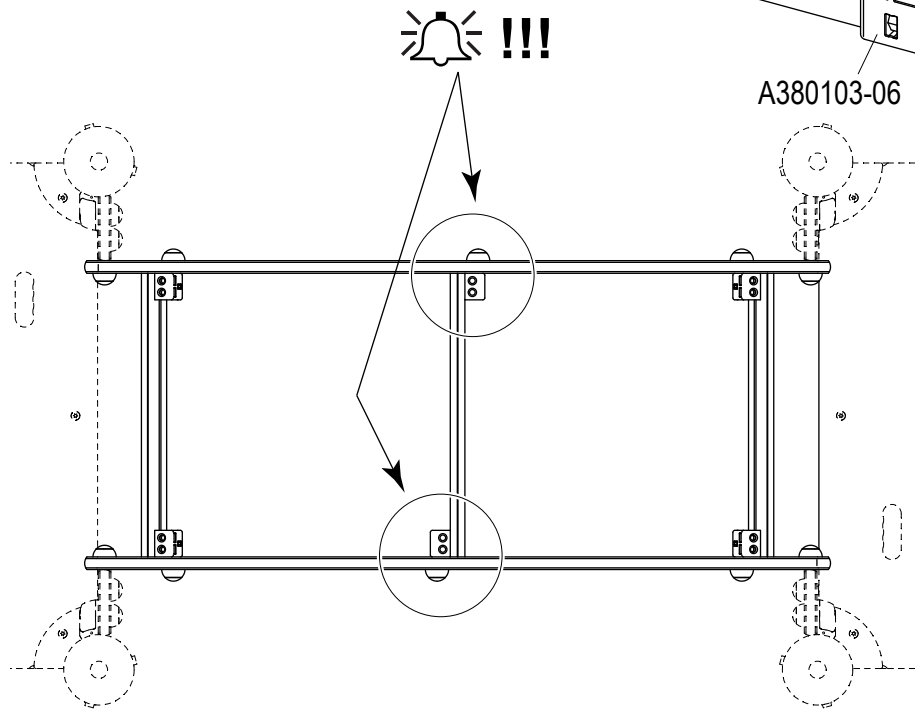
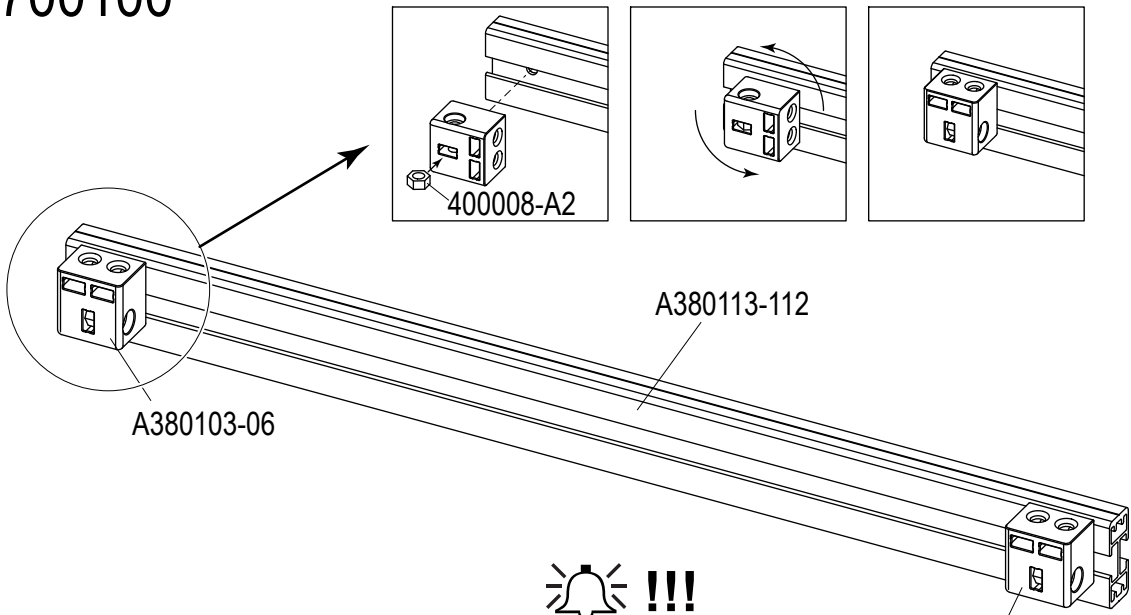
201301008016

D



A380030-113

CP700100



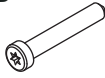


A



A10015-113

B



210100408055

C



201301008016

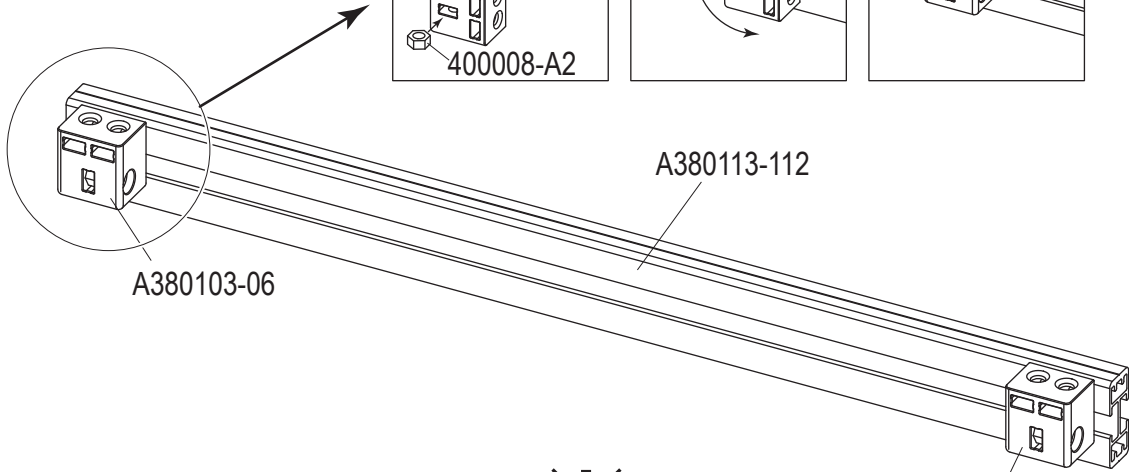
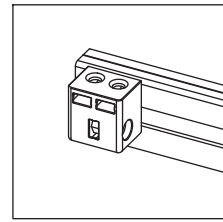
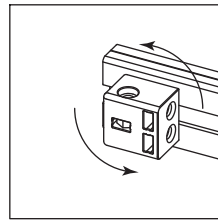
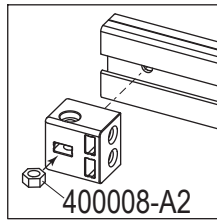
D



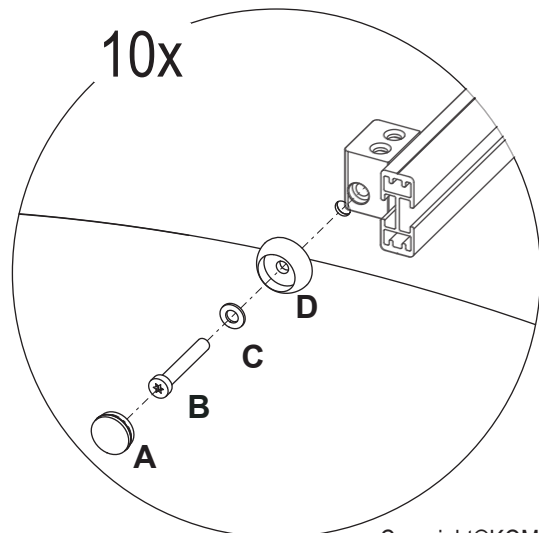
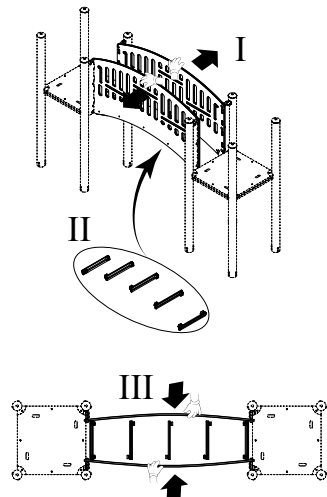
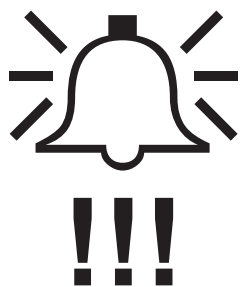
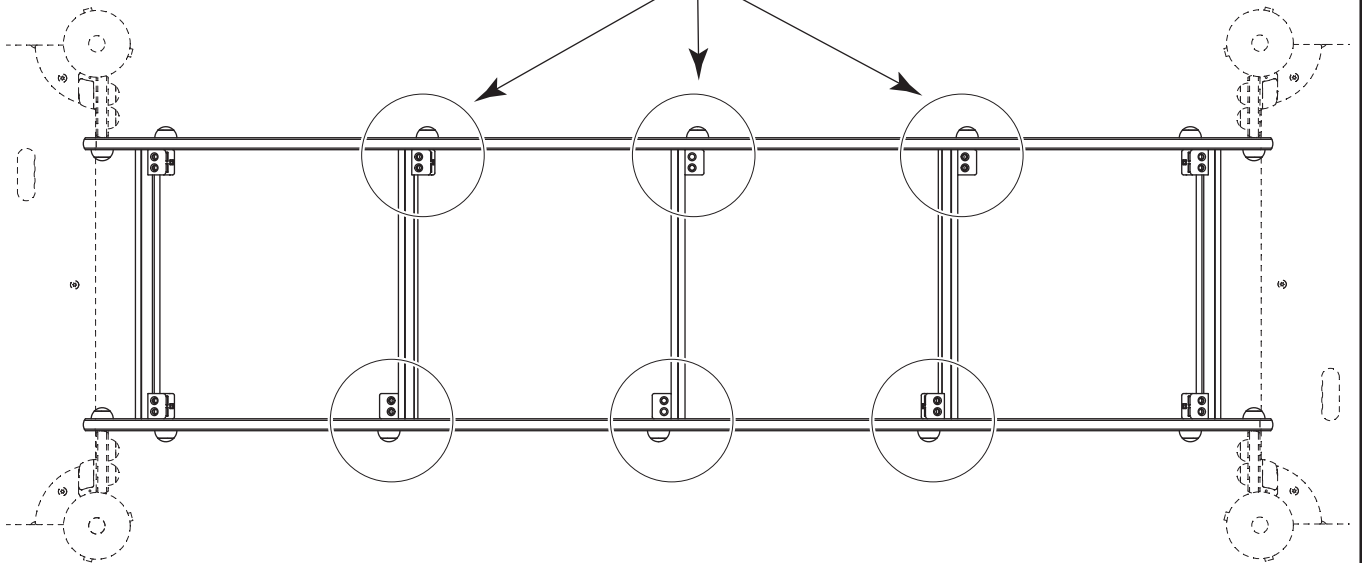
A380030-113

CP700300

CP700400



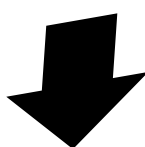
A380103-06



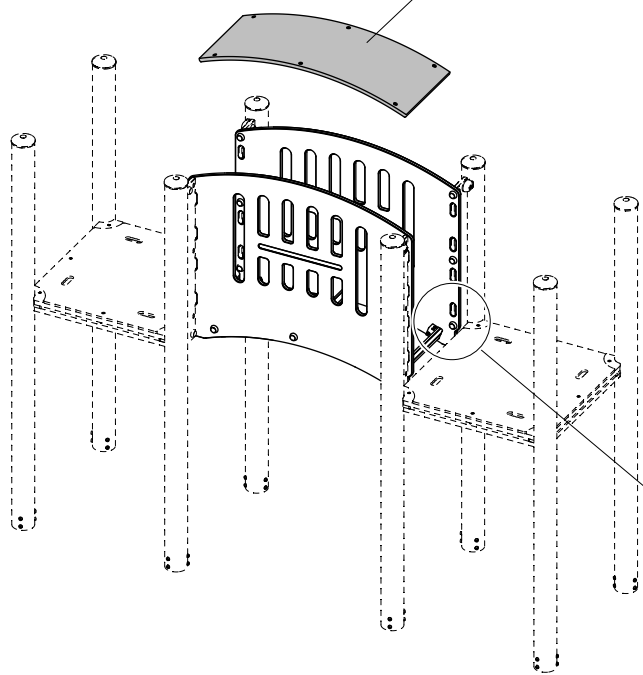
10x



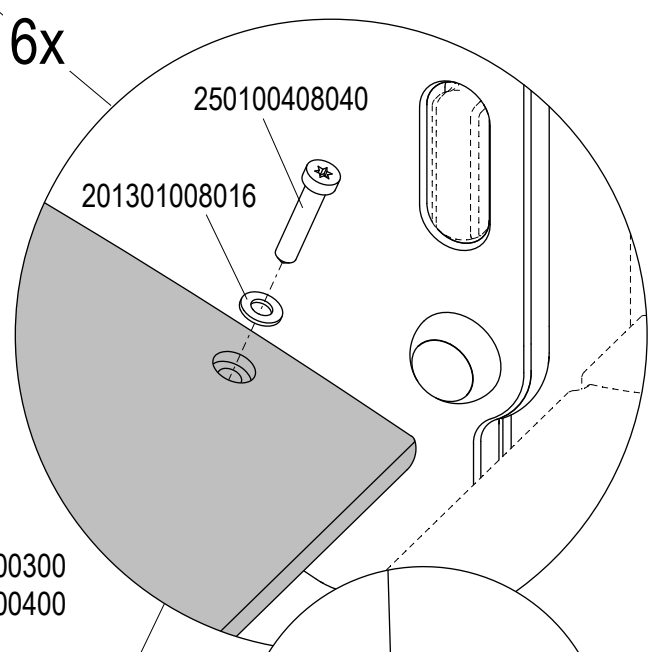
CP700100



B380061-07113



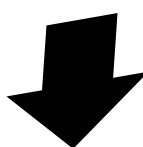
6x



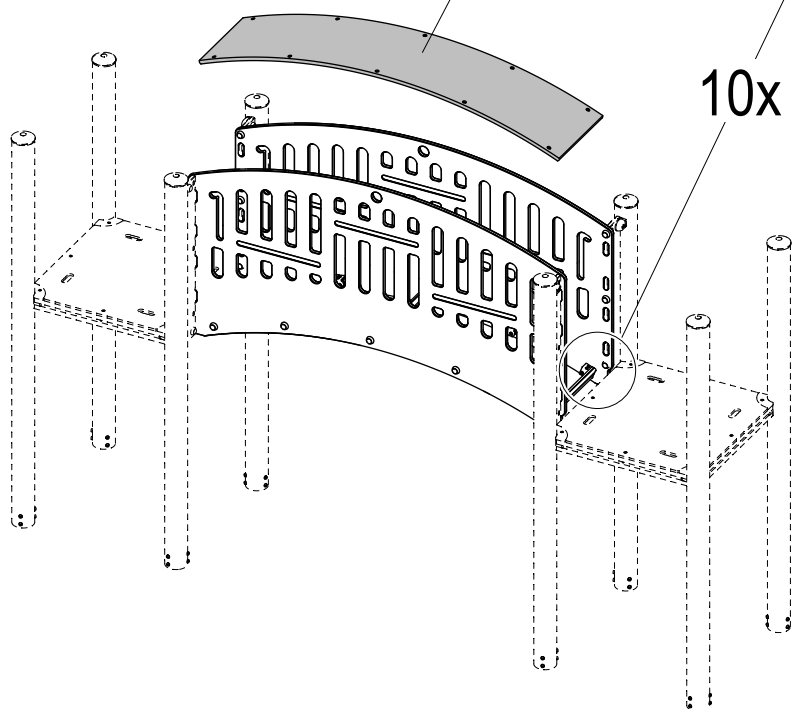
250100408040

201301008016

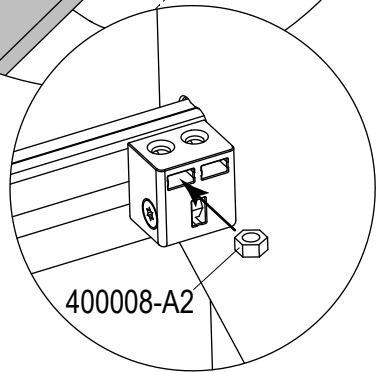
CP700300
CP700400



B380081-07113 - CP700300
B380063-07113 - CP700400

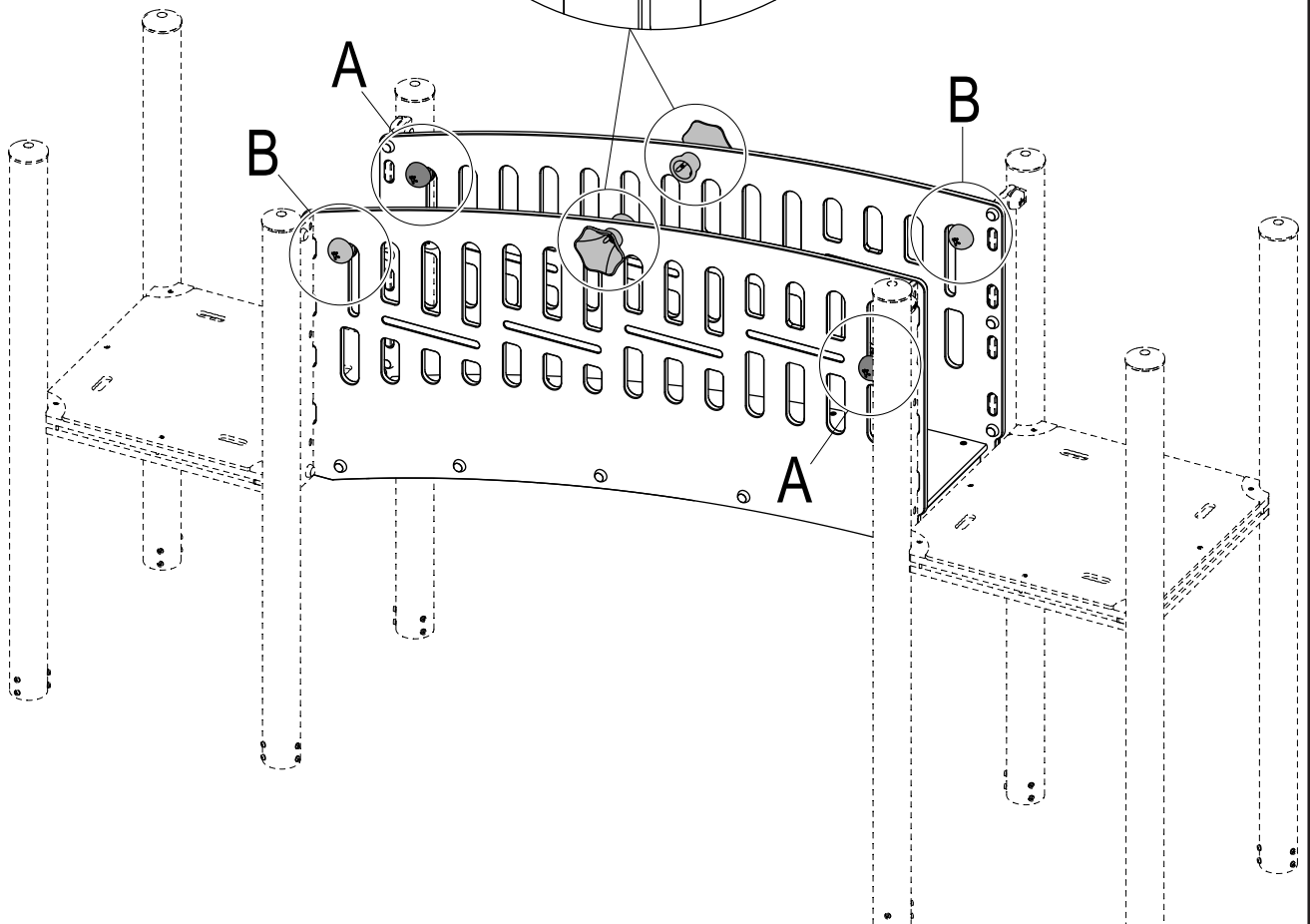
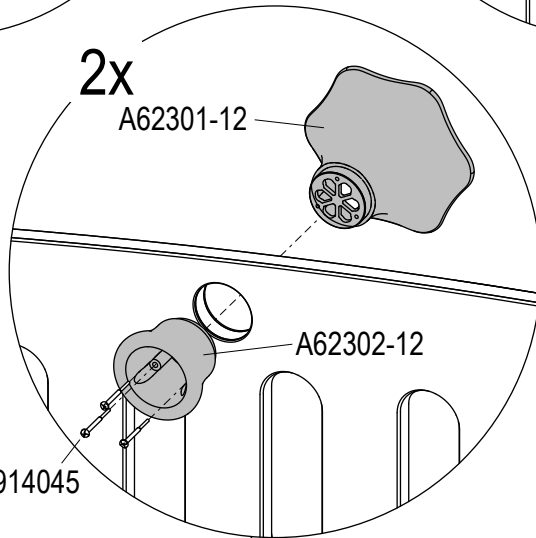
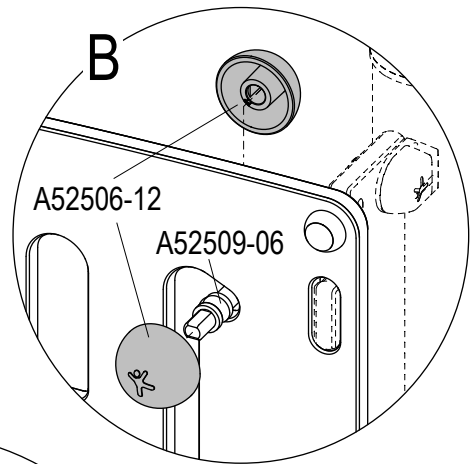
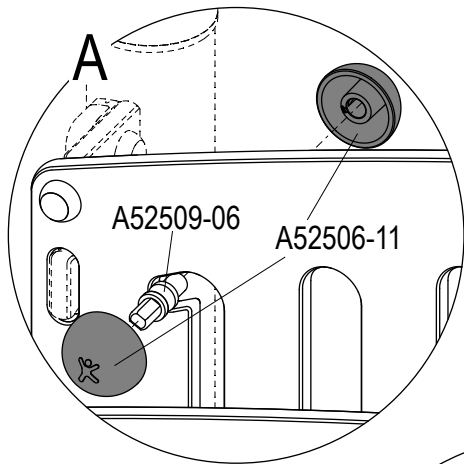


10x

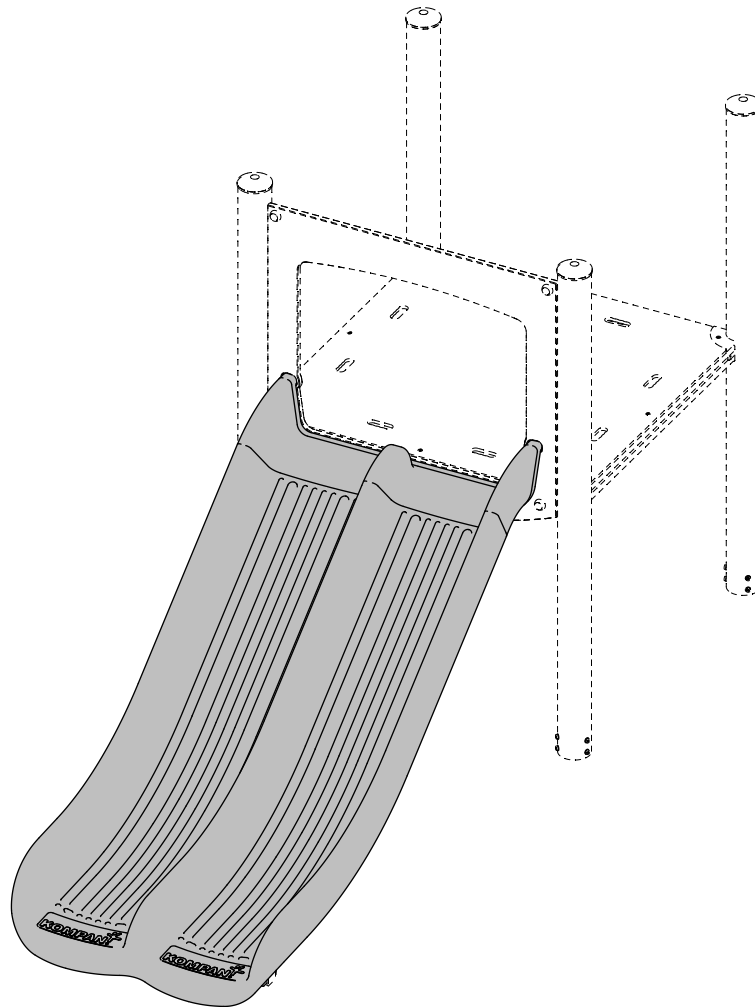


400008-A2

CP700300
CP700400

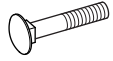


KOMPAN[®]
CP600809-03
CP600809-08
CP600810-03
CP600810-08





A



110050-A2

B



701023

C



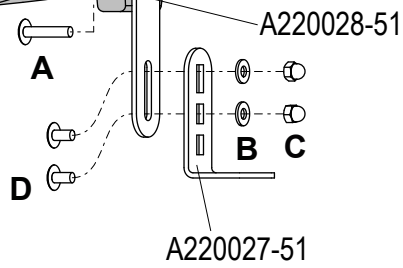
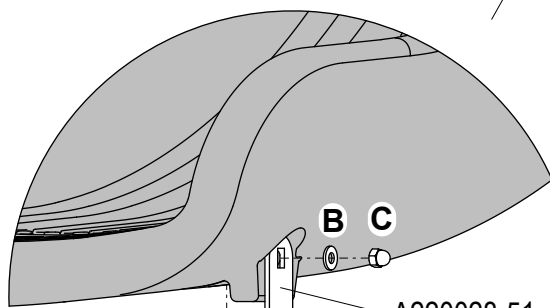
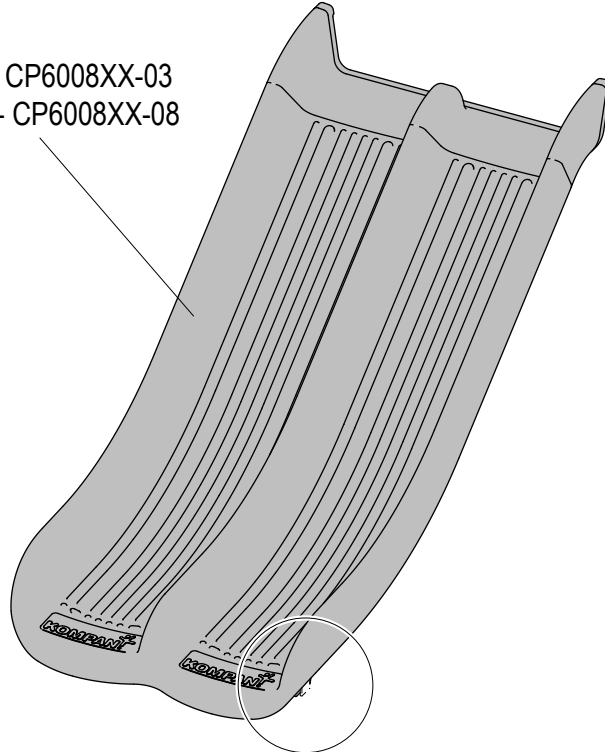
OBVR1910018

D

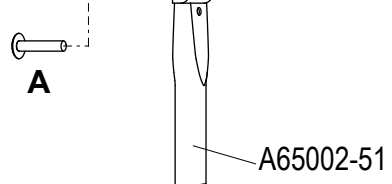
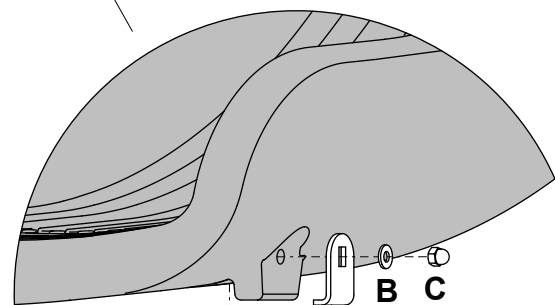


110030-A2

A220024-12 - CP6008XX-03
A220024-181 - CP6008XX-08



CP123100-05



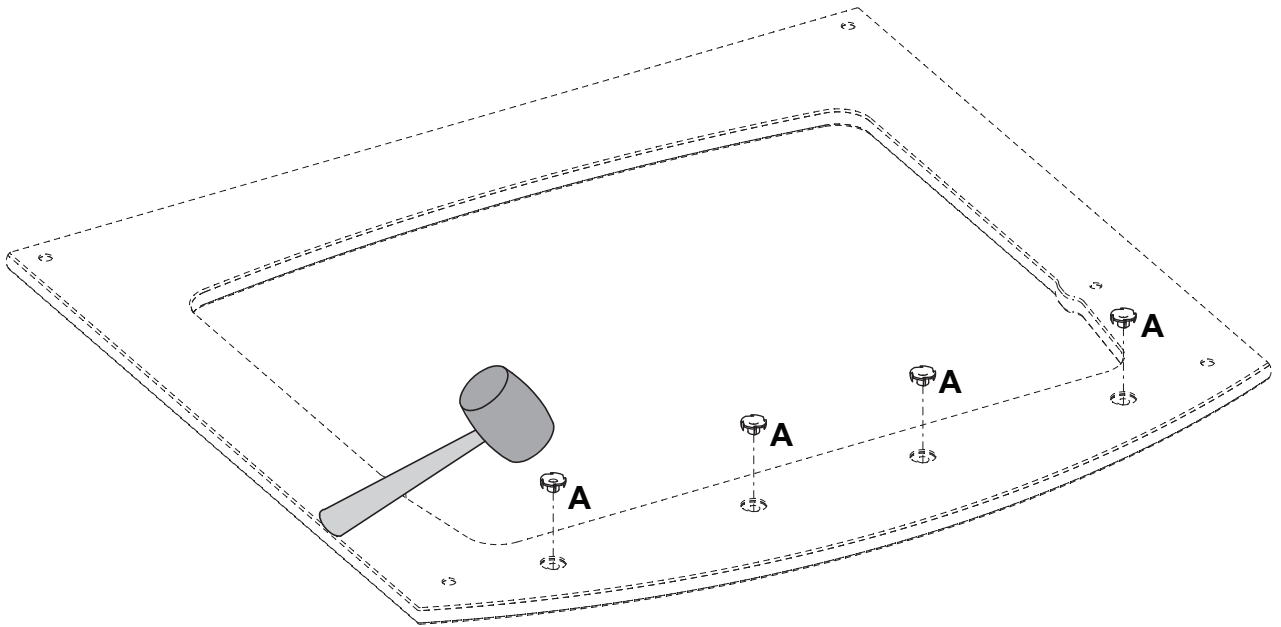
CP123200-05



A

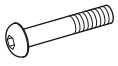


400212





A



601060

B

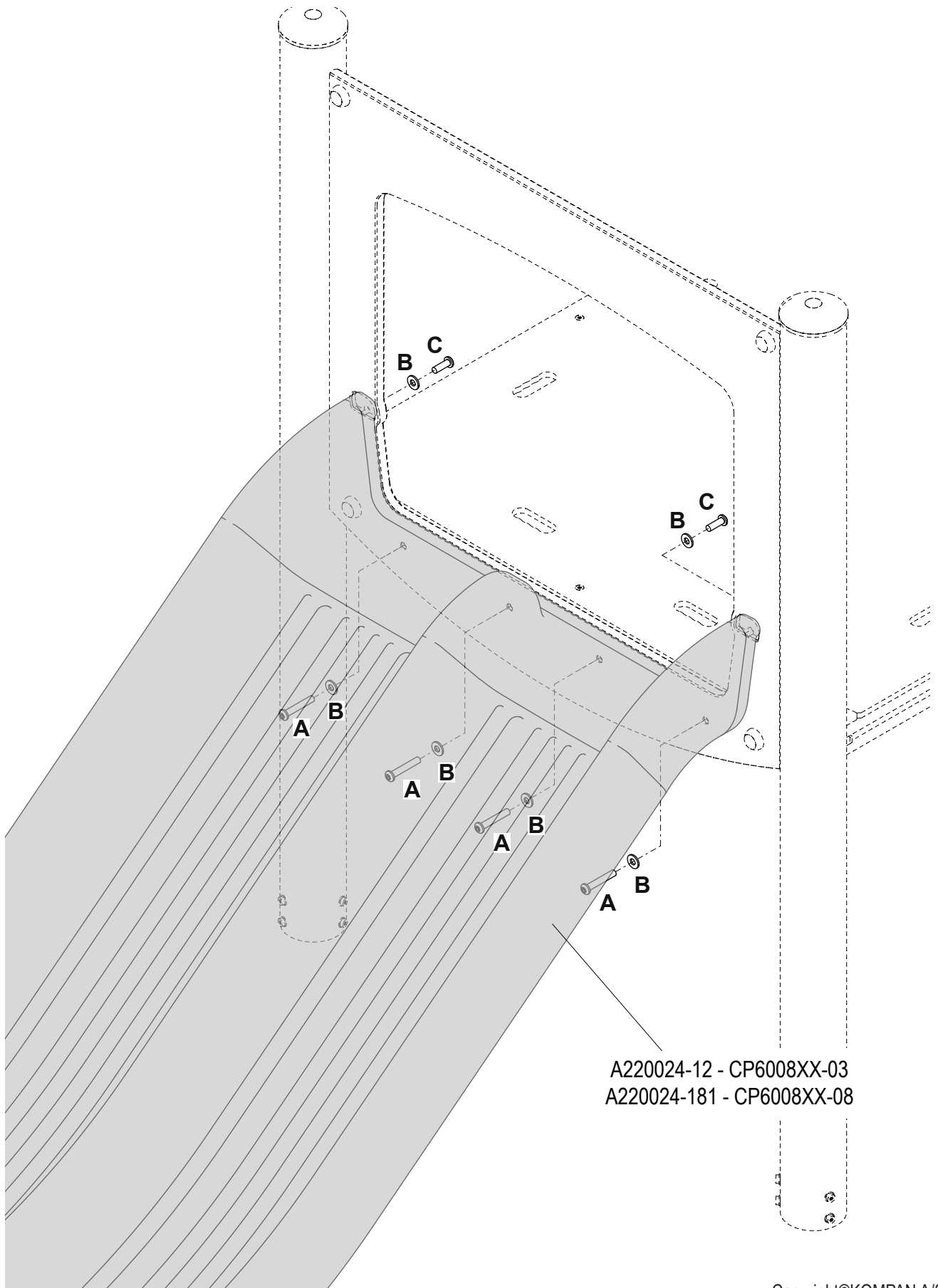


701023

C



601030-A2

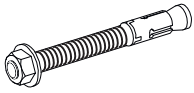


A220024-12 - CP6008XX-03
A220024-181 - CP6008XX-08

VCP6008XX 20140723 PetrJu

Copyright©KOMPAN A/S

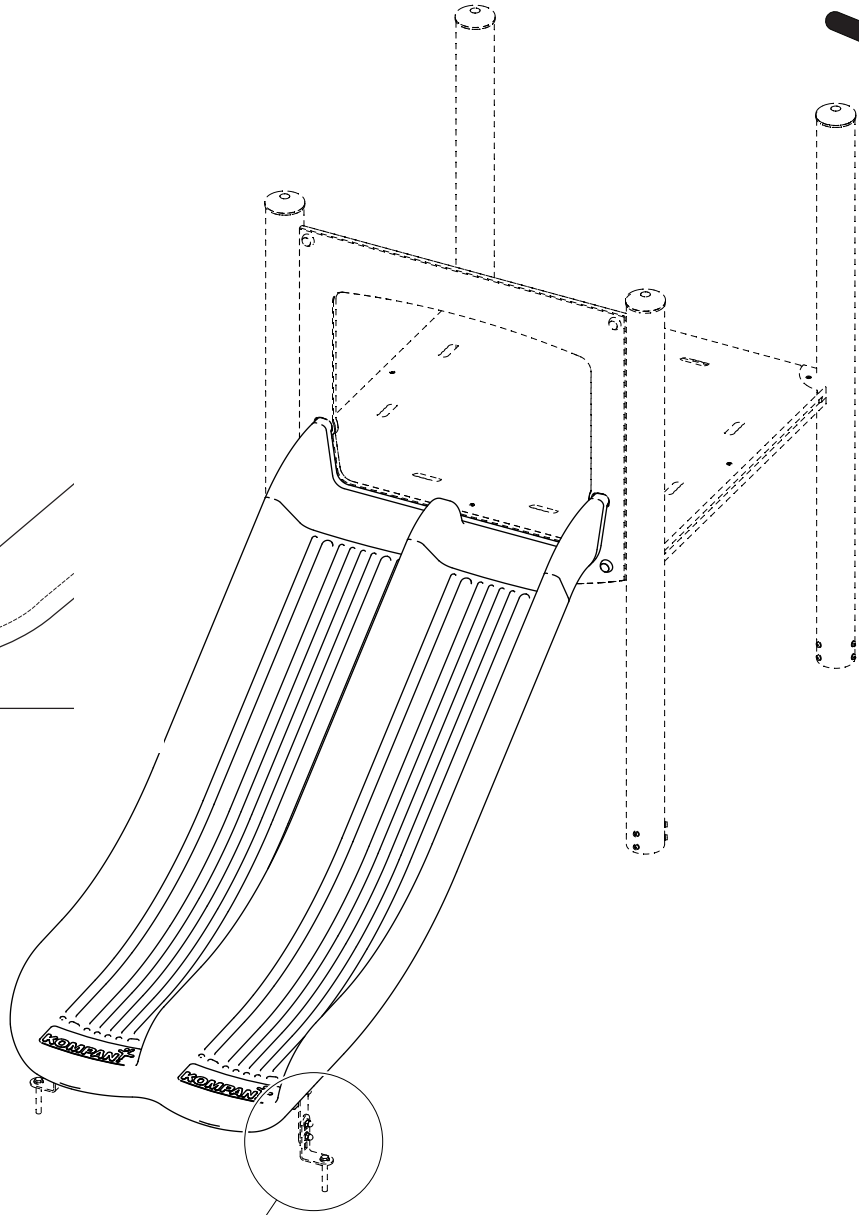
A



400317

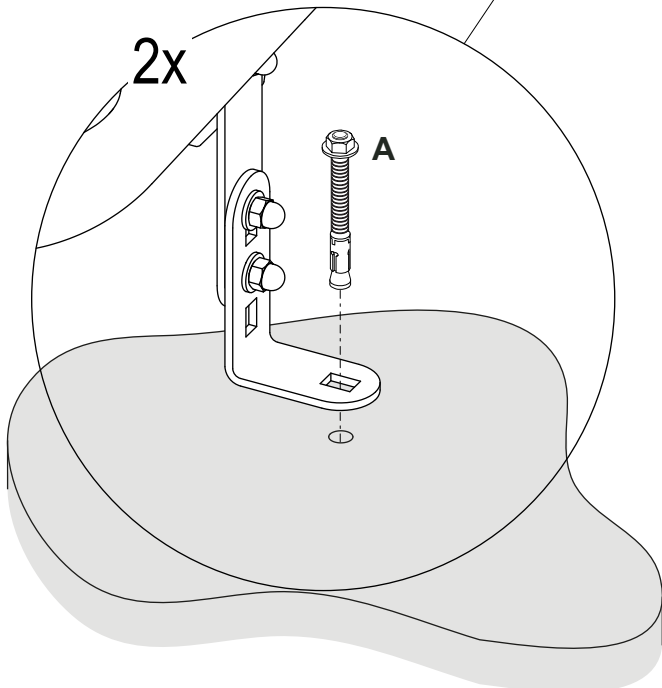


Max. 280 mm



2x

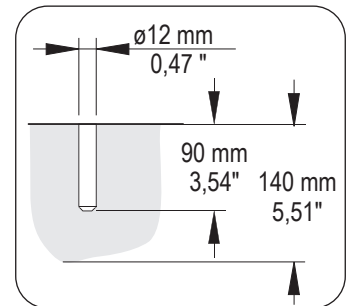
A

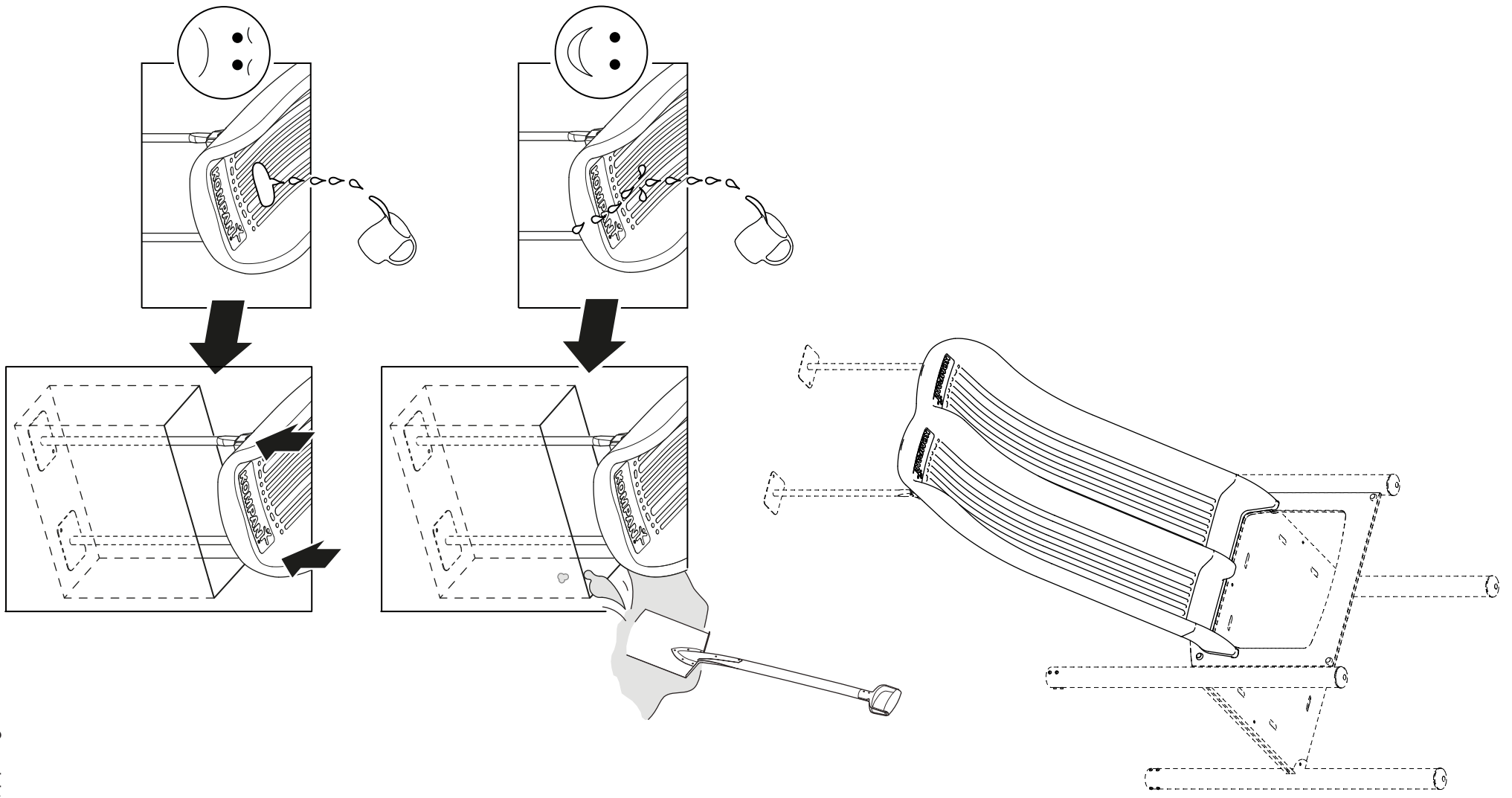


M12x100
400317



400317 - 12 mm:



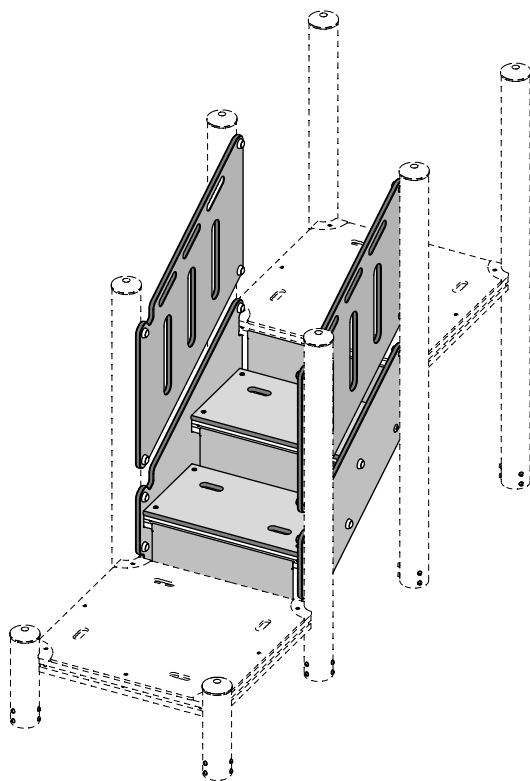


KOMPAN[®]

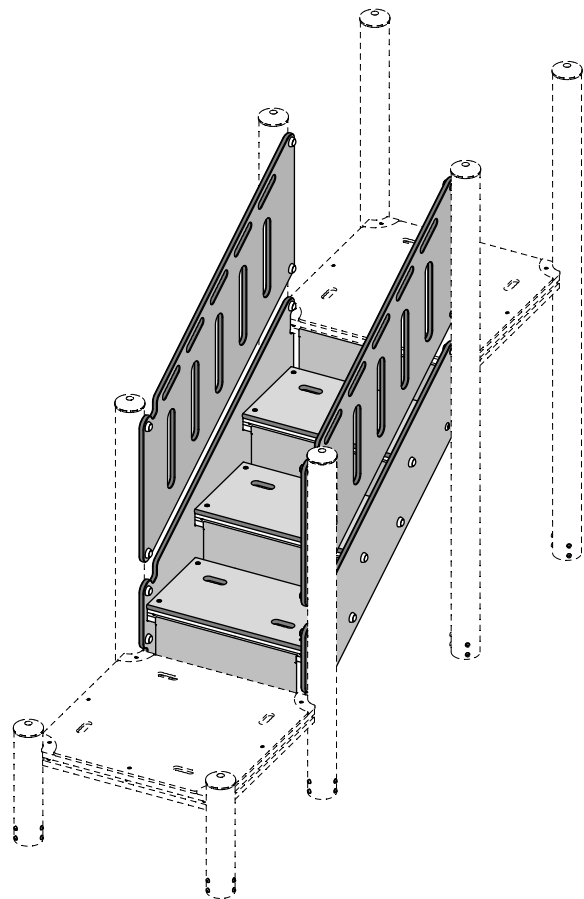
CP500300-XX

CP500400-XX

CP500300

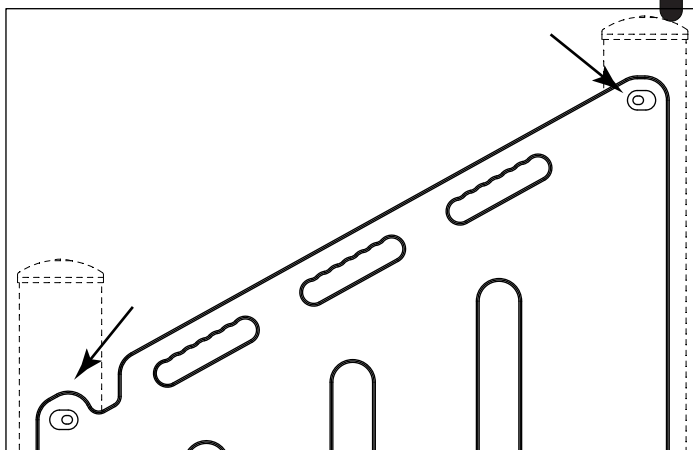
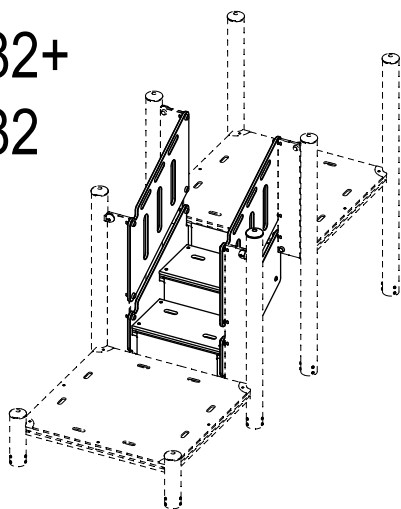


CP500400

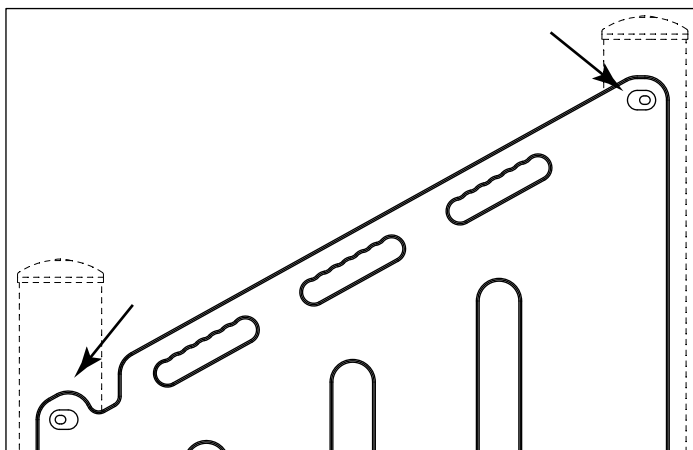
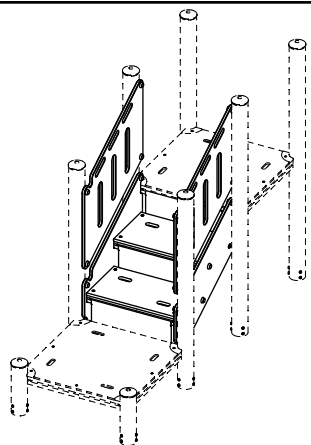




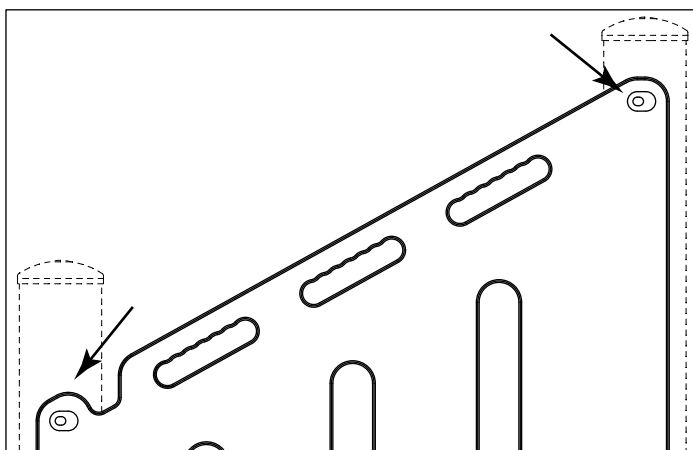
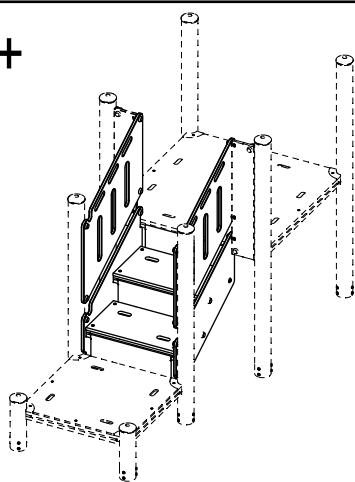
M1082+
M1082



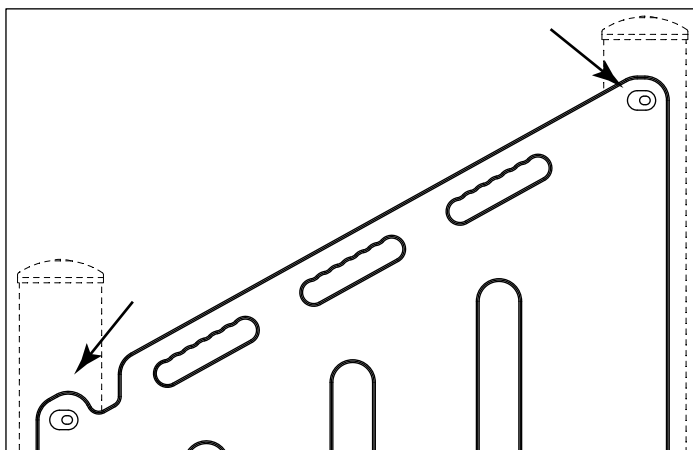
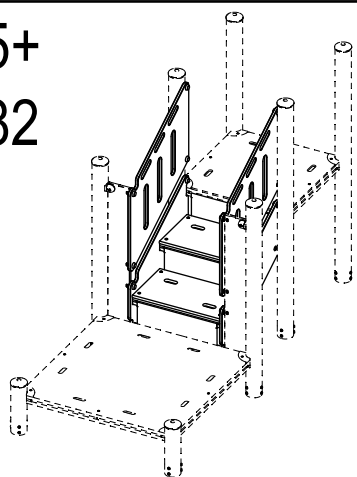
M765+
M765



M1082+
M765



M765+
M1082



**A**

250100408040

B

201301008016

C

A380030-113

D

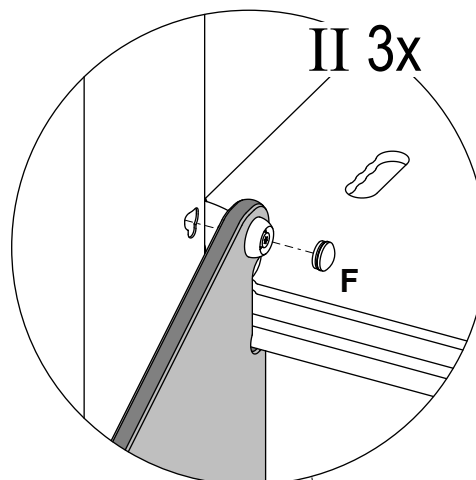
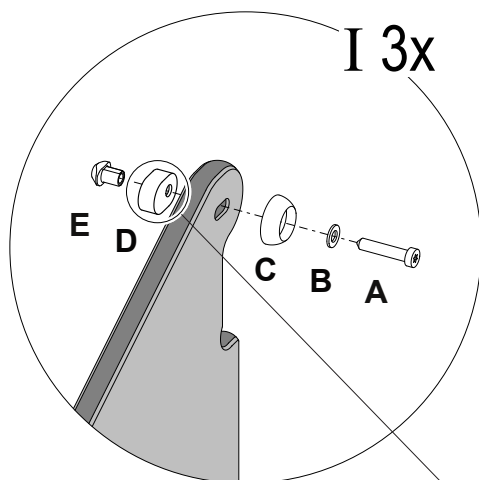
A380376-128

E

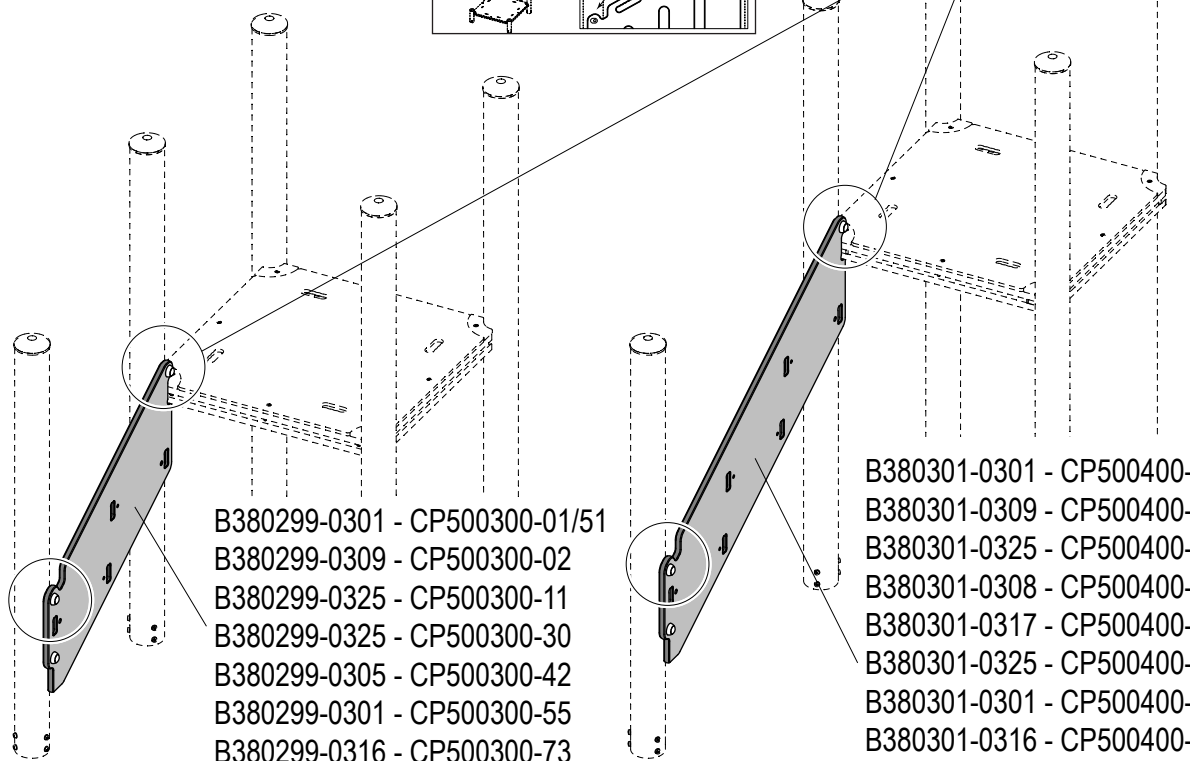
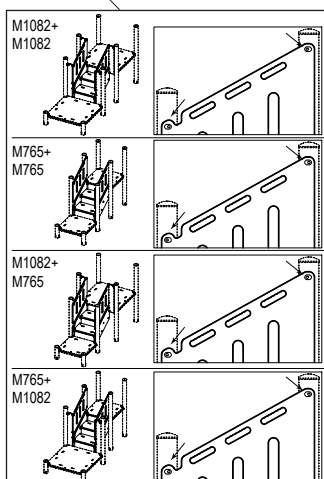
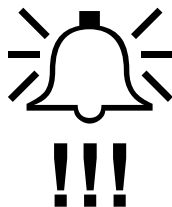
A380050-51

F

A10015-113



steel
stahl
acier
acero
acciaio
staal
stål
stål
сталь
terästä



B380299-0301 - CP500300-01/51
B380299-0309 - CP500300-02
B380299-0325 - CP500300-11
B380299-0325 - CP500300-30
B380299-0305 - CP500300-42
B380299-0301 - CP500300-55
B380299-0316 - CP500300-73

B380301-0301 - CP500400-01
B380301-0309 - CP500400-02
B380301-0325 - CP500400-11
B380301-0308 - CP500400-26
B380301-0317 - CP500400-28
B380301-0325 - CP500400-30
B380301-0301 - CP500400-55
B380301-0316 - CP500400-73
B380301-0310 - CP500400-80
B380301-0313 - CP500400-81

CP500300-XX (765+765)**CP500400-XX (765+765)**

**A**

A10015-113

B

A380166-52

C

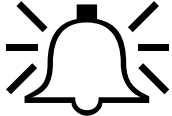
201301008016

D

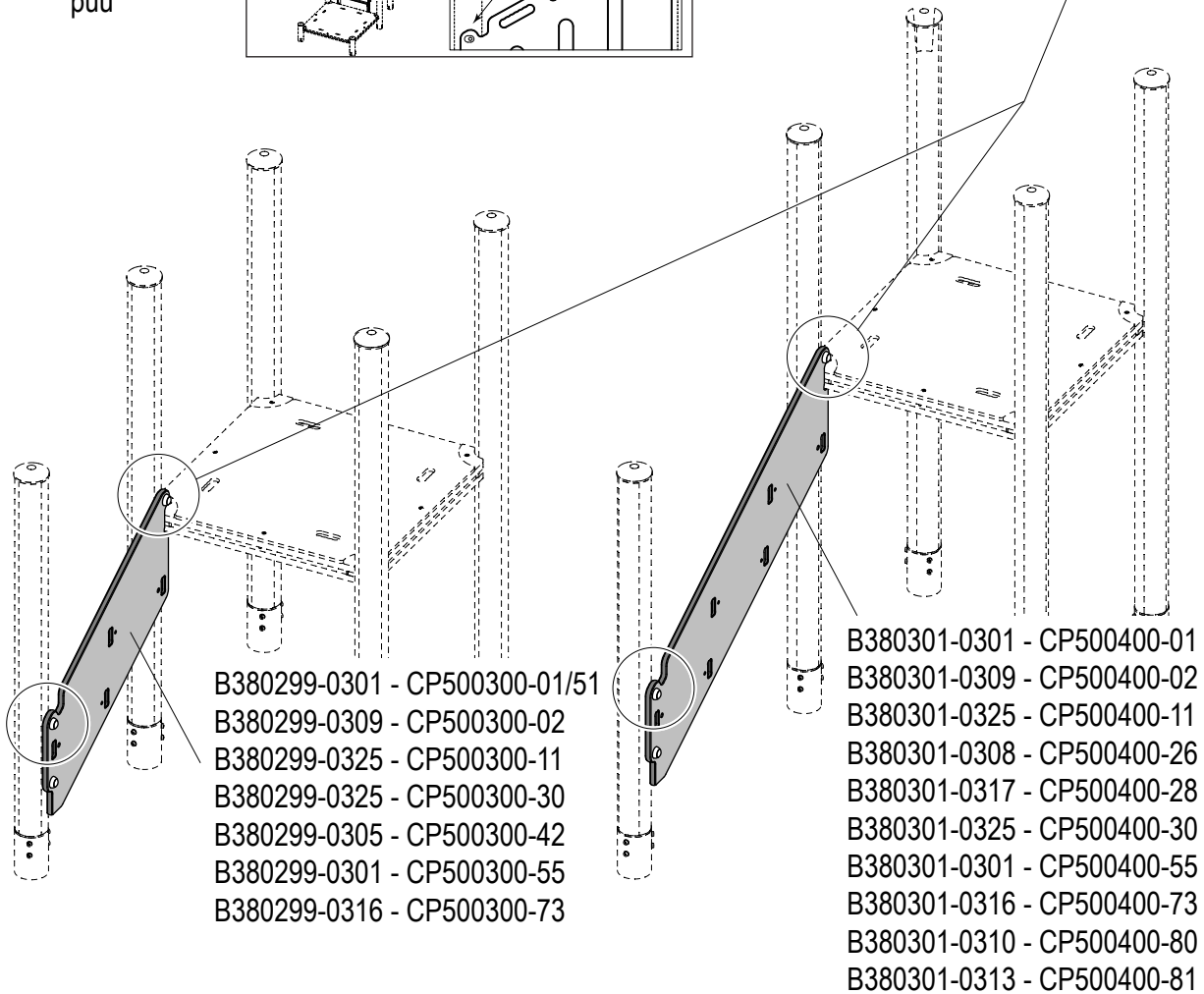
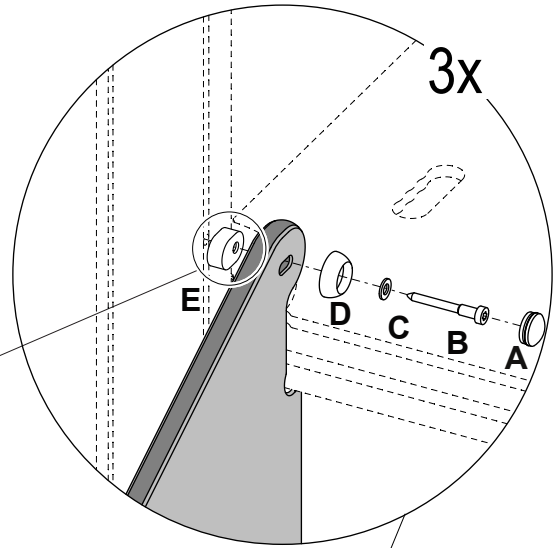
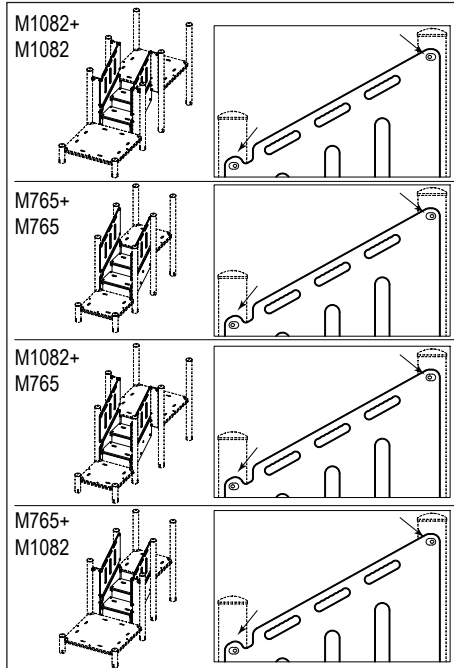
A380030-113

E

A380376-128



wood
holz
bois
madera
legno
hout
trä
træ
дерево
руи

**CP500300-XX (765+765)****CP500400-XX (765+765)**

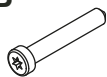


A



A10015-113

B



210100408055

C



201301008016

D



A380030-113

E

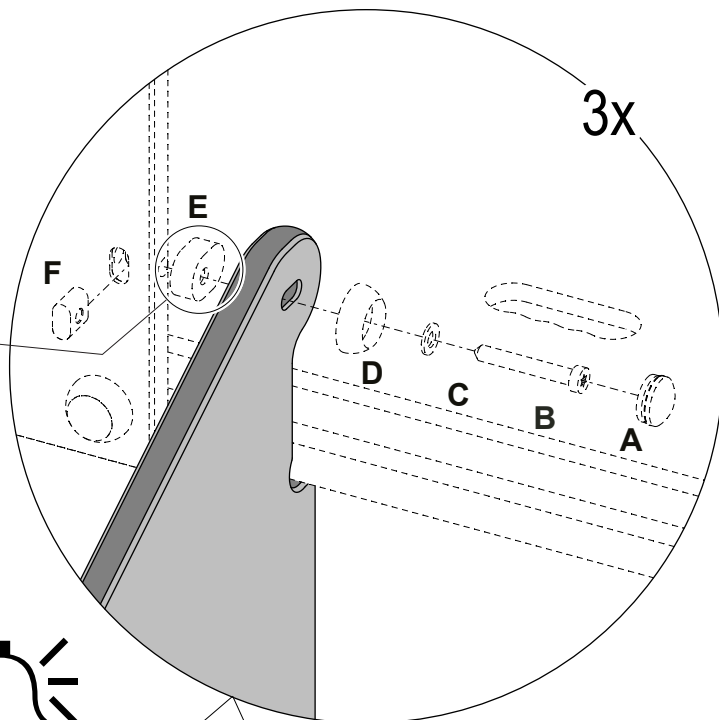
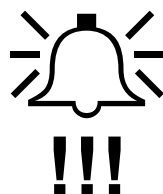
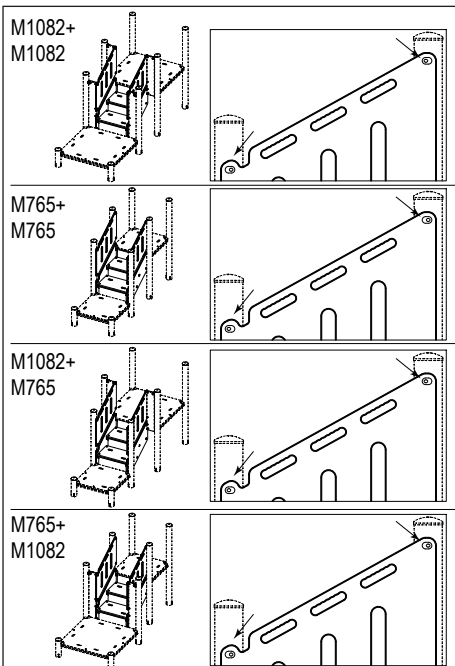


A380376-128

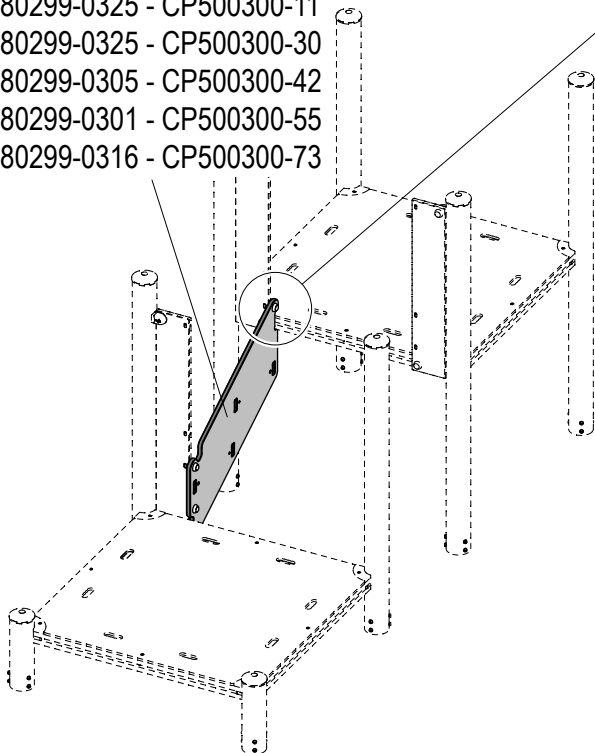
F



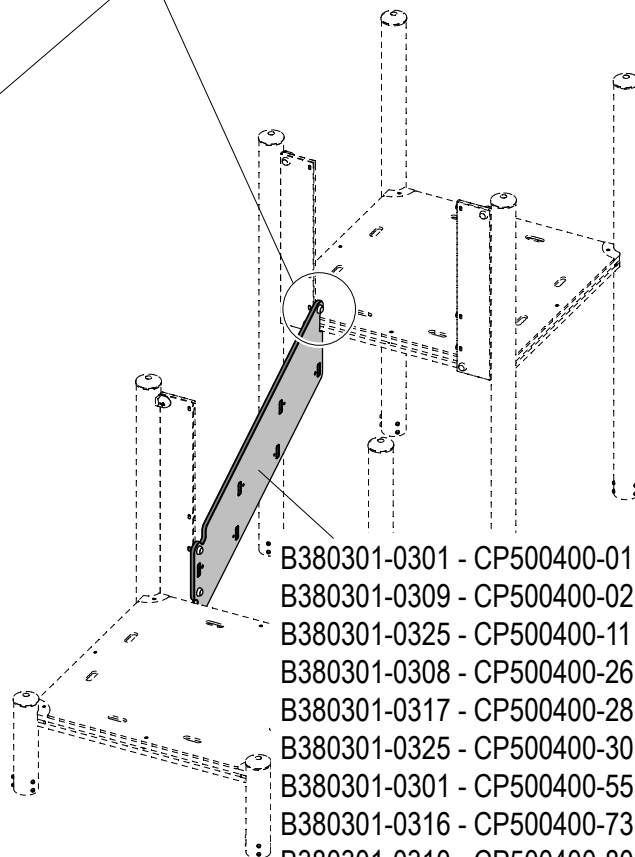
A400334-128



- B380299-0301 - CP500300-01/51
- B380299-0309 - CP500300-02
- B380299-0325 - CP500300-11
- B380299-0325 - CP500300-30
- B380299-0305 - CP500300-42
- B380299-0301 - CP500300-55
- B380299-0316 - CP500300-73



CP500300-XX
(1082X1082)

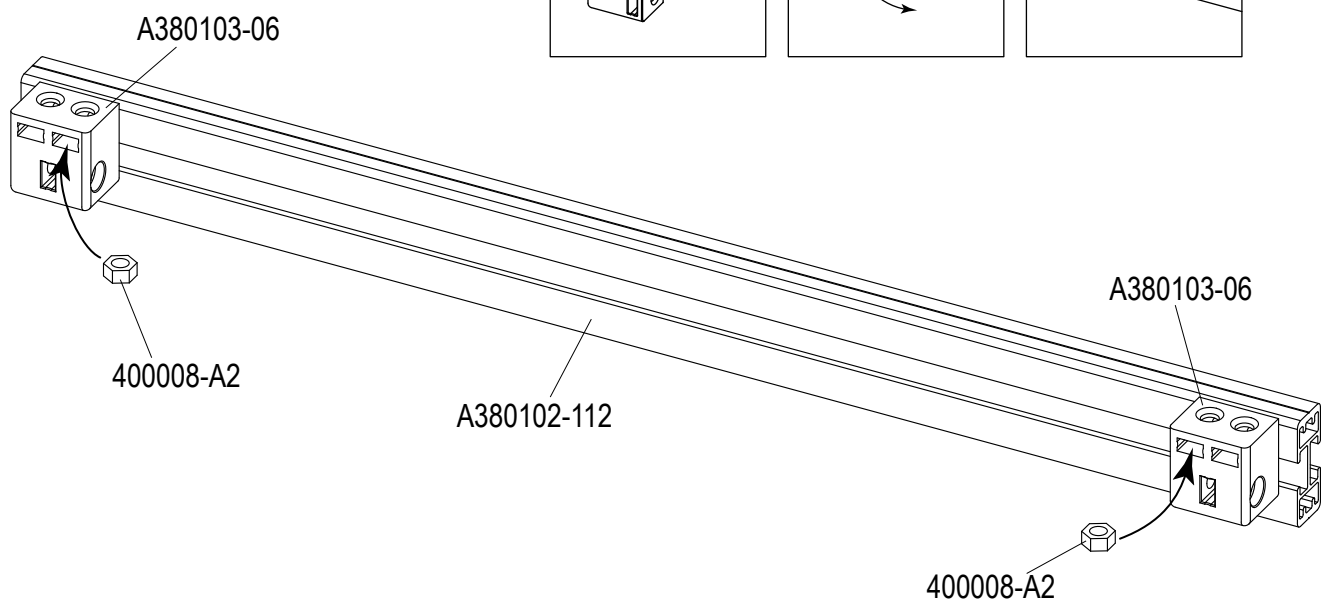
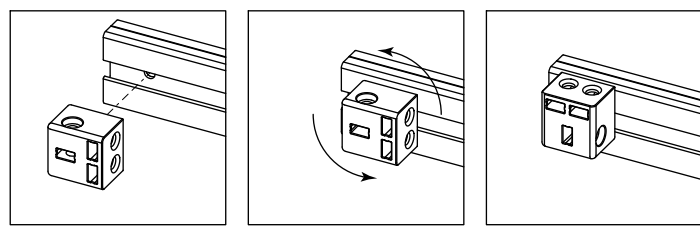


- B380301-0301 - CP500400-01
- B380301-0309 - CP500400-02
- B380301-0325 - CP500400-11
- B380301-0308 - CP500400-26
- B380301-0317 - CP500400-28
- B380301-0325 - CP500400-30
- B380301-0301 - CP500400-55
- B380301-0316 - CP500400-73
- B380301-0310 - CP500400-80
- B380301-0313 - CP500400-81

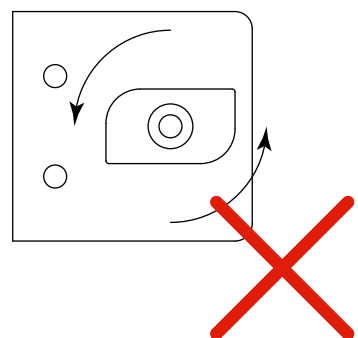
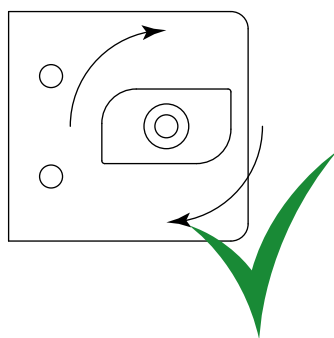
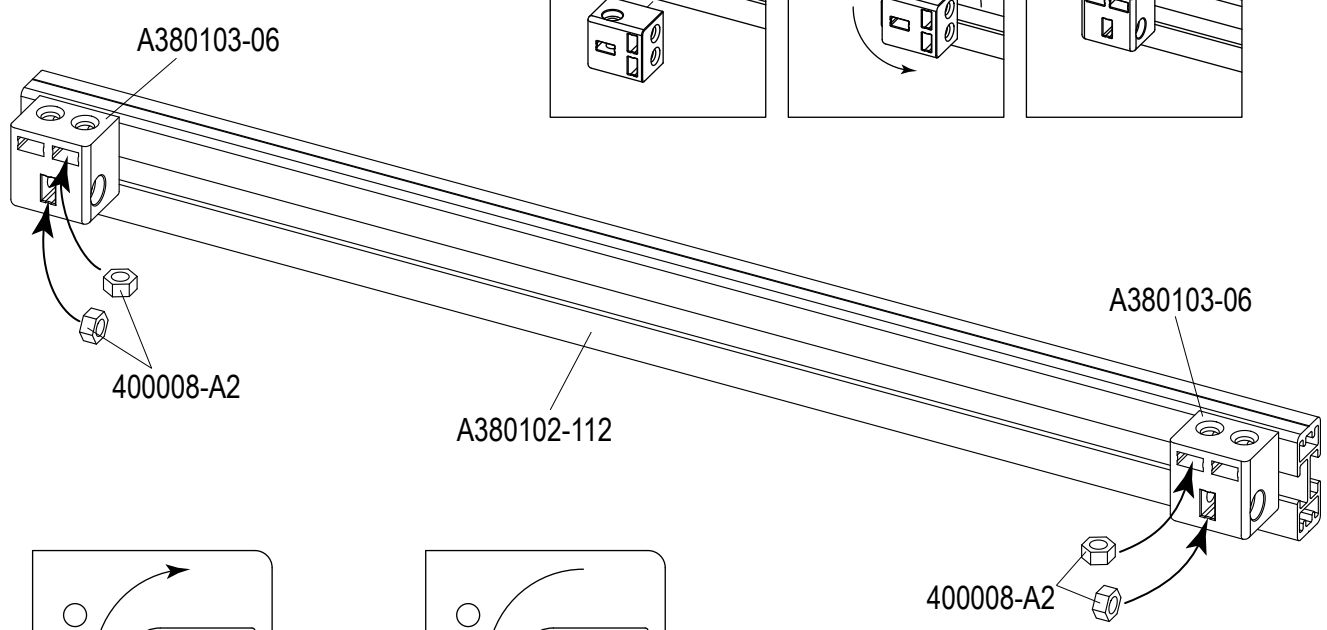
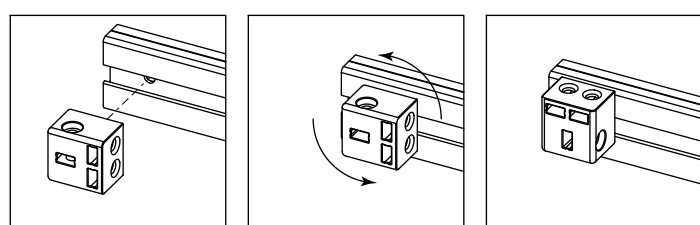
CP500400-XX
(1082X1082)



A



B



VCP5003XX 20160606 PetrJu

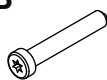


A



A10015-113

B



210100408055

C



201301008016

D



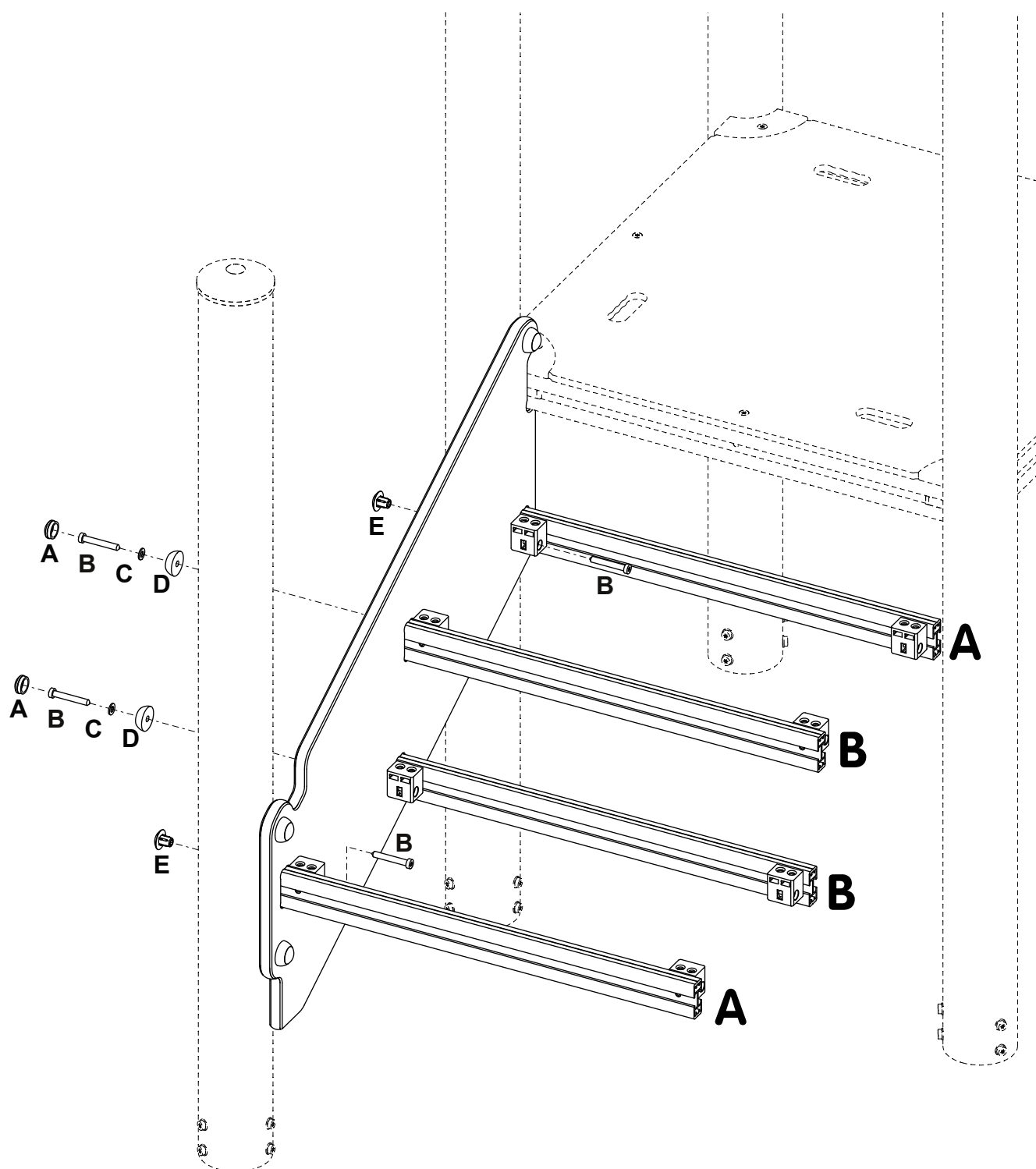
A380030-113

E



A380025-199

CP500300-XX



VCP5003XX 20160606 PetrJu

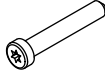


A



A10015-113

B



210100408055

C



201301008016

D



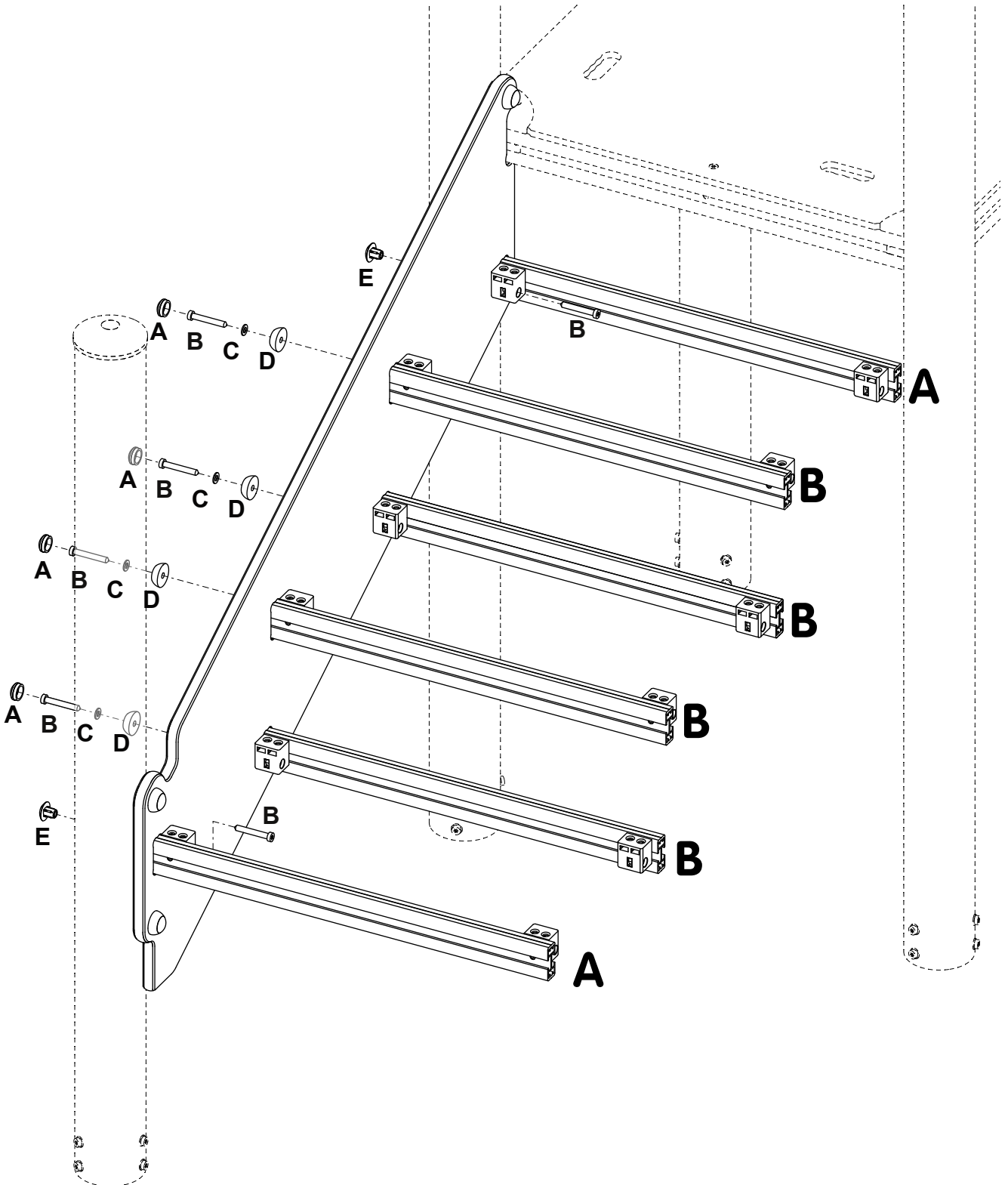
A380030-113

E



A380025-199

CP500400-XX





- A**

 250100408040
- B**

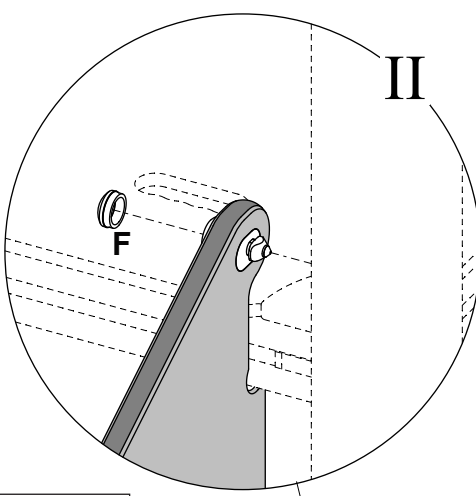
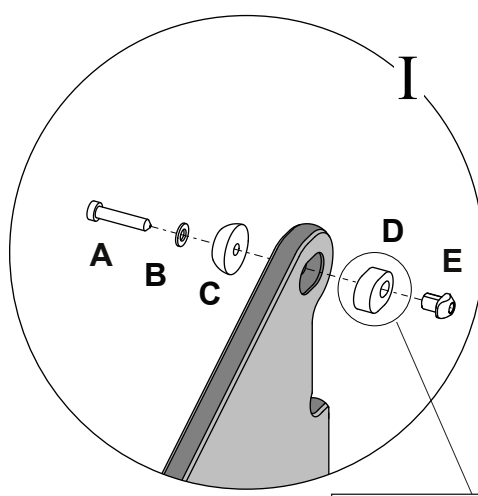
 201301008016
- C**

 A380030-113
- D**

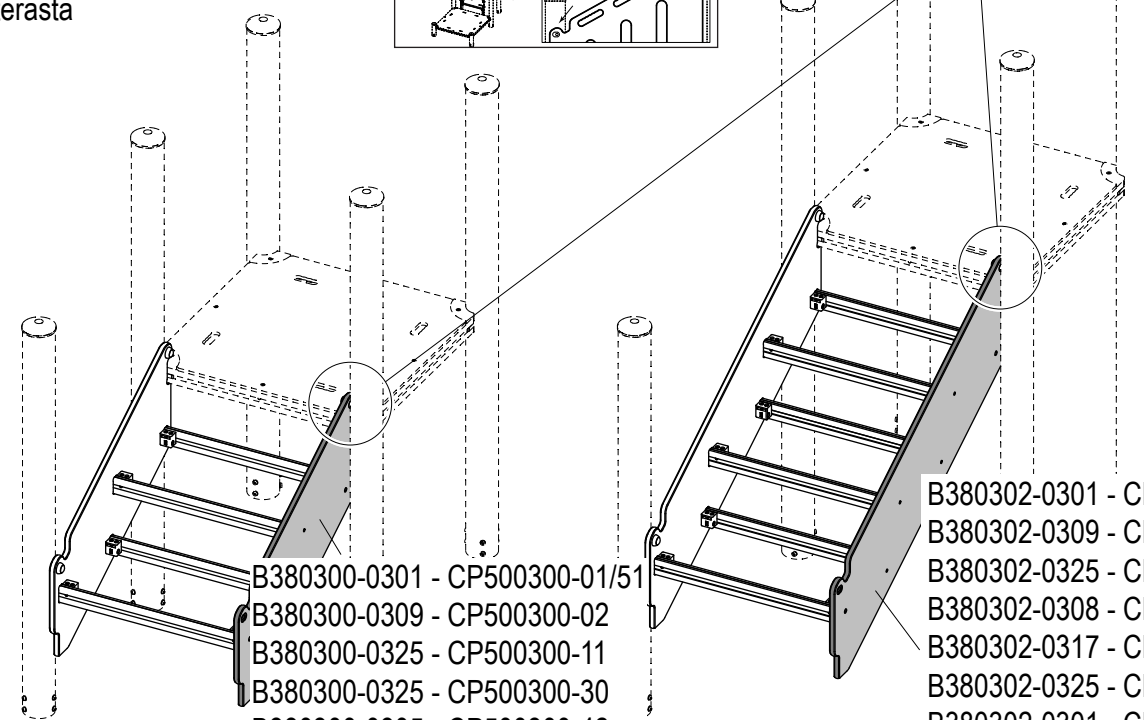
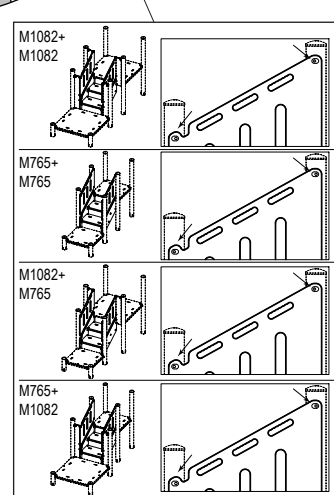
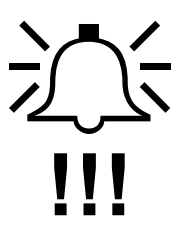
 A380376-128
- E**

 A380050-51
- F**

 A10015-113



steel
 stahl
 acier
 acero
 acciaio
 staal
 stål
 stål
 сталь
 terästä



- B380300-0301 - CP500300-01/51
- B380300-0309 - CP500300-02
- B380300-0325 - CP500300-11
- B380300-0325 - CP500300-30
- B380300-0305 - CP500300-42
- B380300-0301 - CP500300-55
- B380300-0316 - CP500300-73

- B380302-0301 - CP500400-01
- B380302-0309 - CP500400-02
- B380302-0325 - CP500400-11
- B380302-0308 - CP500400-26
- B380302-0317 - CP500400-28
- B380302-0325 - CP500400-30
- B380302-0301 - CP500400-55
- B380302-0316 - CP500400-73
- B380302-0310 - CP500400-80
- B380302-0313 - CP500400-81

CP500300-XX (765+765) CP500400-XX (765+765)



A



A10015-113

B



A380166-52

C



201301008016

D

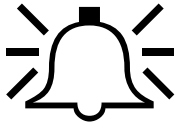


A380030-113

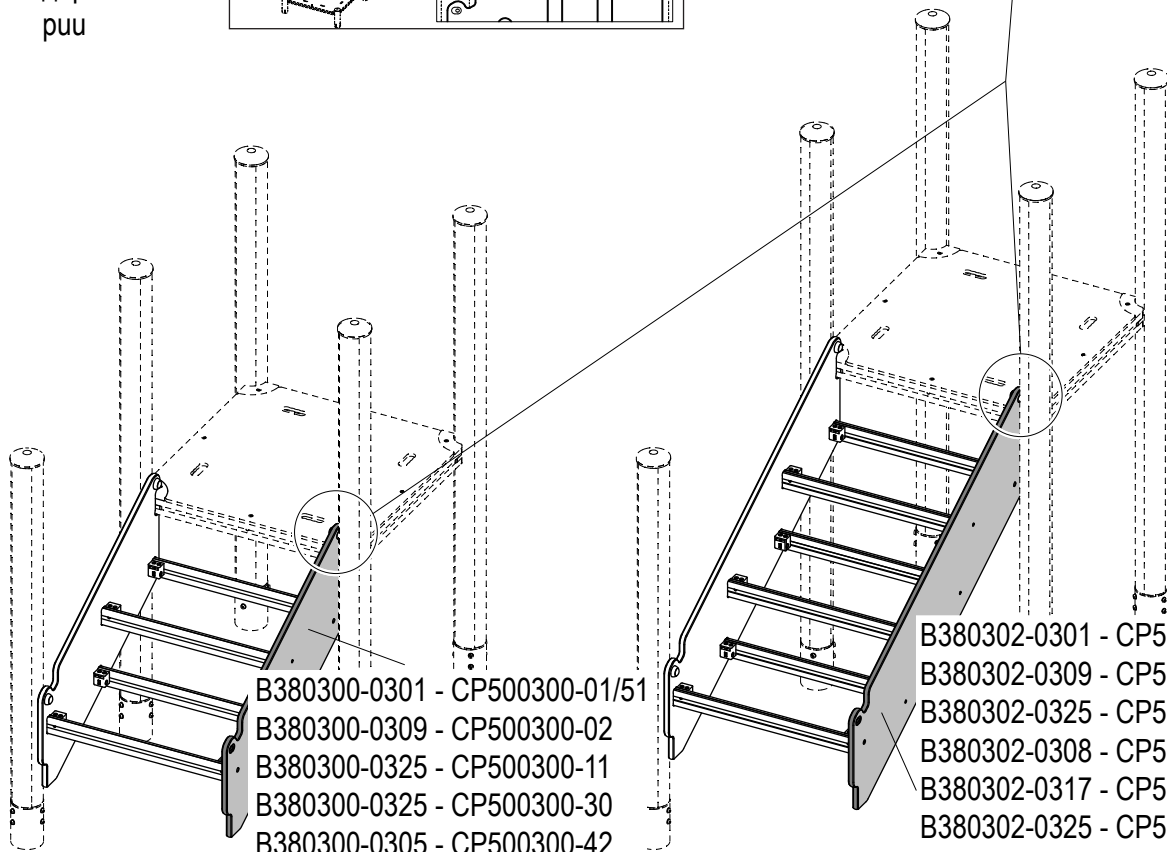
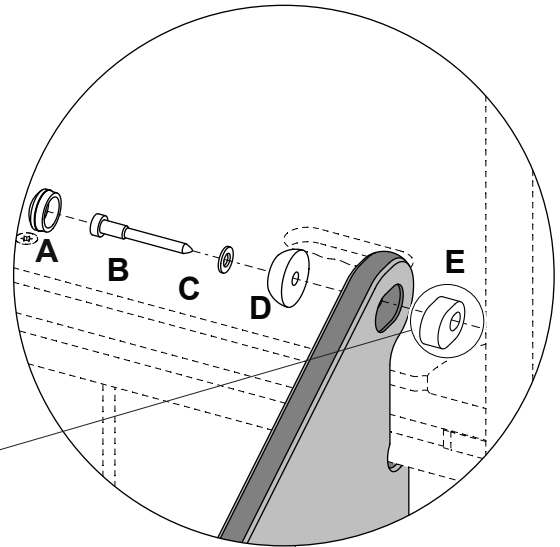
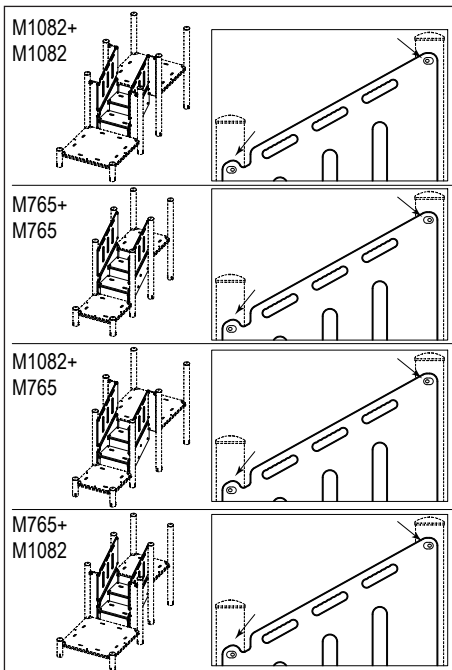
E



A380376-128



wood
holz
bois
madera
legno
hout
trä
træ
дерево
руу



B380300-0301 - CP500300-01/51
B380300-0309 - CP500300-02
B380300-0325 - CP500300-11
B380300-0325 - CP500300-30
B380300-0305 - CP500300-42
B380300-0301 - CP500300-55
B380300-0316 - CP500300-73

B380302-0301 - CP500400-01
B380302-0309 - CP500400-02
B380302-0325 - CP500400-11
B380302-0308 - CP500400-26
B380302-0317 - CP500400-28
B380302-0325 - CP500400-30
B380302-0301 - CP500400-55
B380302-0316 - CP500400-73
B380302-0310 - CP500400-80
B380302-0313 - CP500400-81

CP500300-XX (765+765)

CP500400-XX (765+765)

VCP5003XX 20160606 PetrJu



A



250100408040

B



201301008016

C



A380030-113

D



A380376-128

E



A380050-51

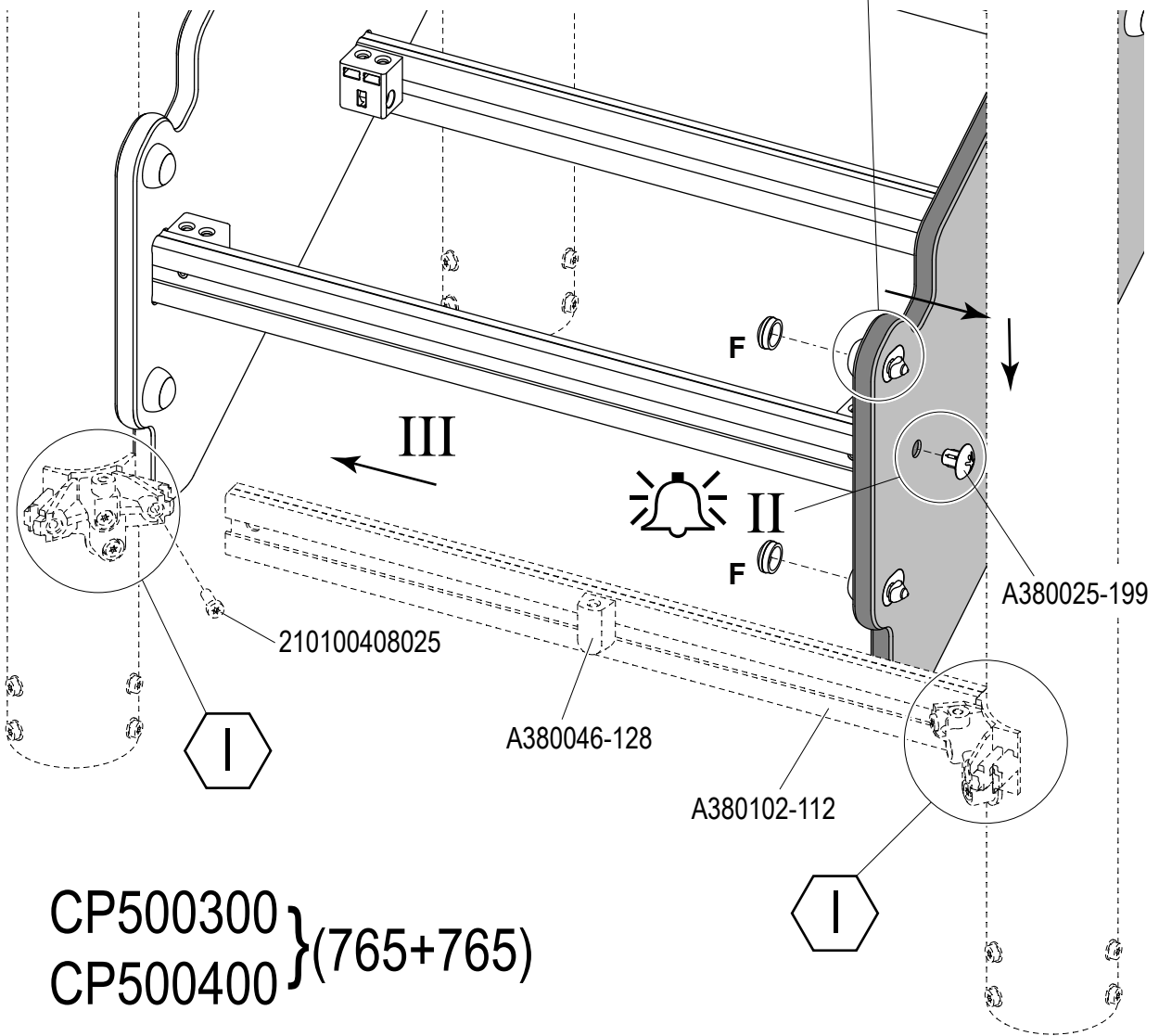
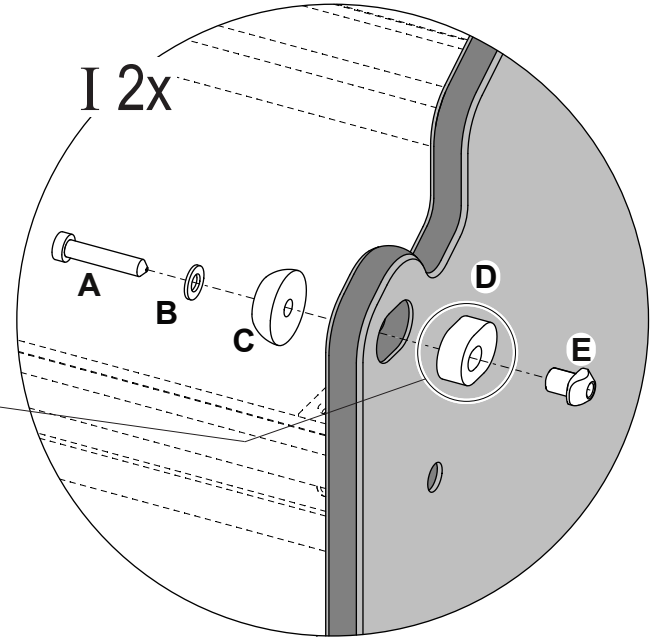
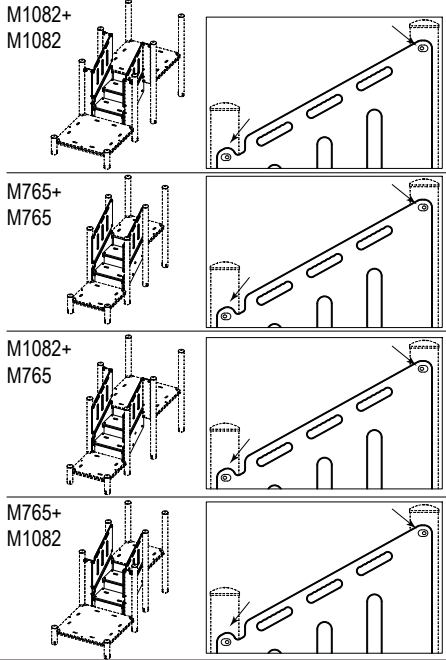
F



A10015-113



steel
stahl
acier
acero
acciaio
staal
stål
stål
сталь
terästä



CP500300 } (765+765)
 CP500400 }



A



A10015-113

B



A380166-52

C



201301008016

D



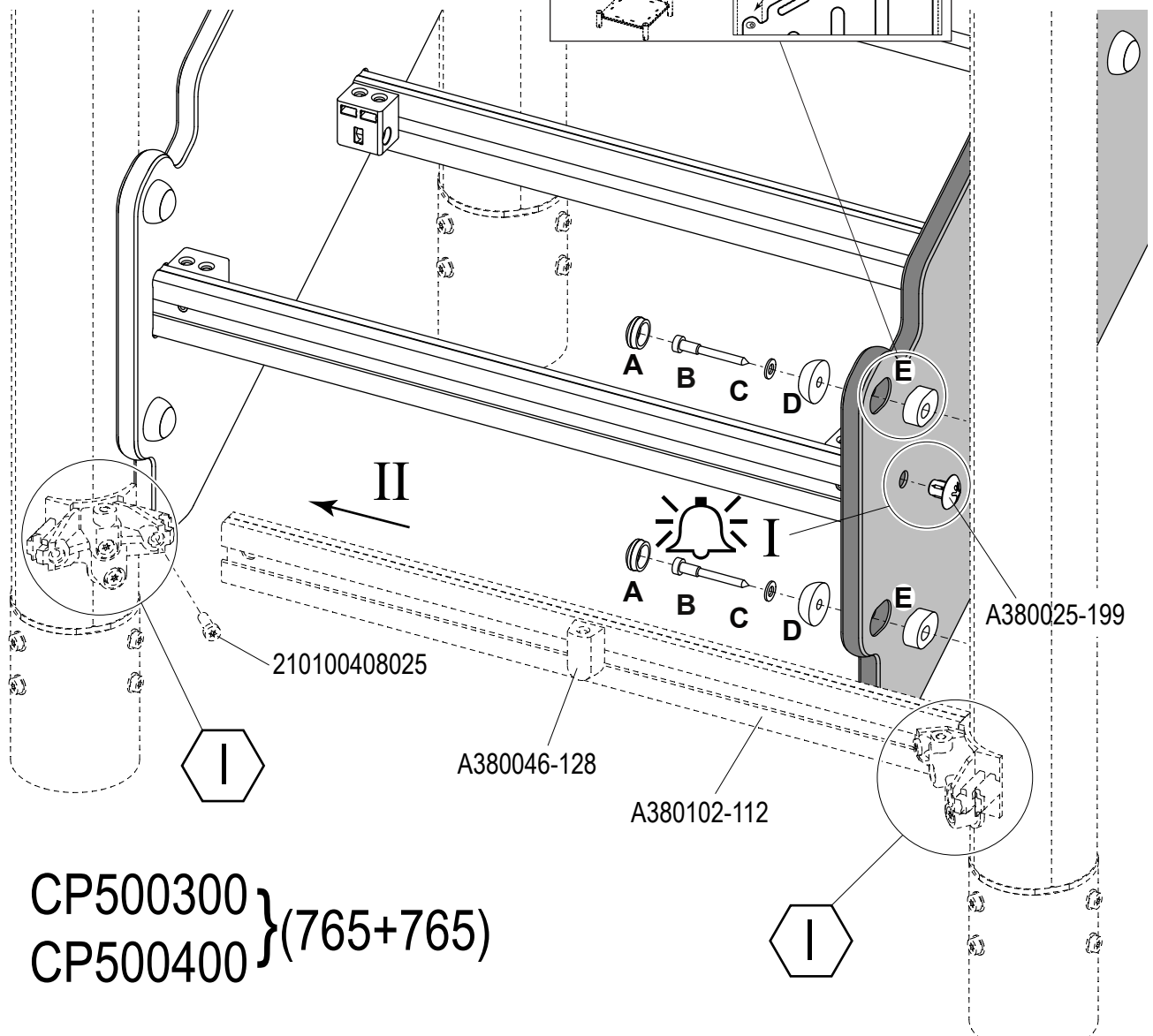
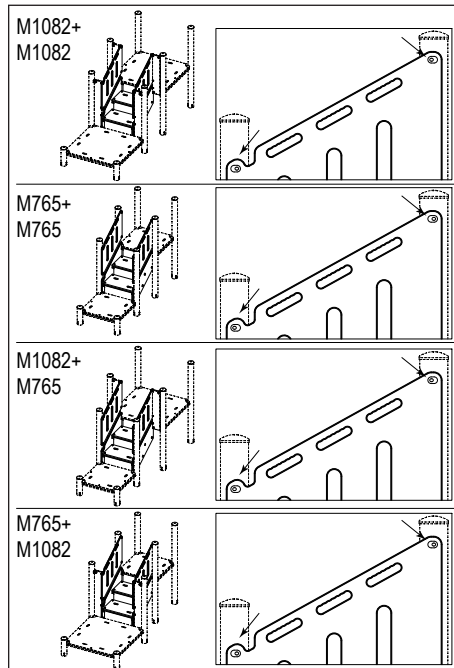
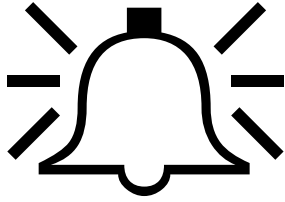
A380030-113

E

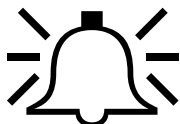
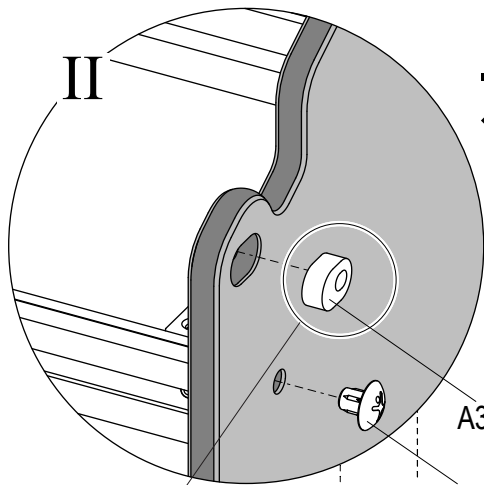


A380376-128

wood
holz
bois
madera
legno
hout
trä
træ
дерево
puu



CP500300 }
CP500400 } (765+765)



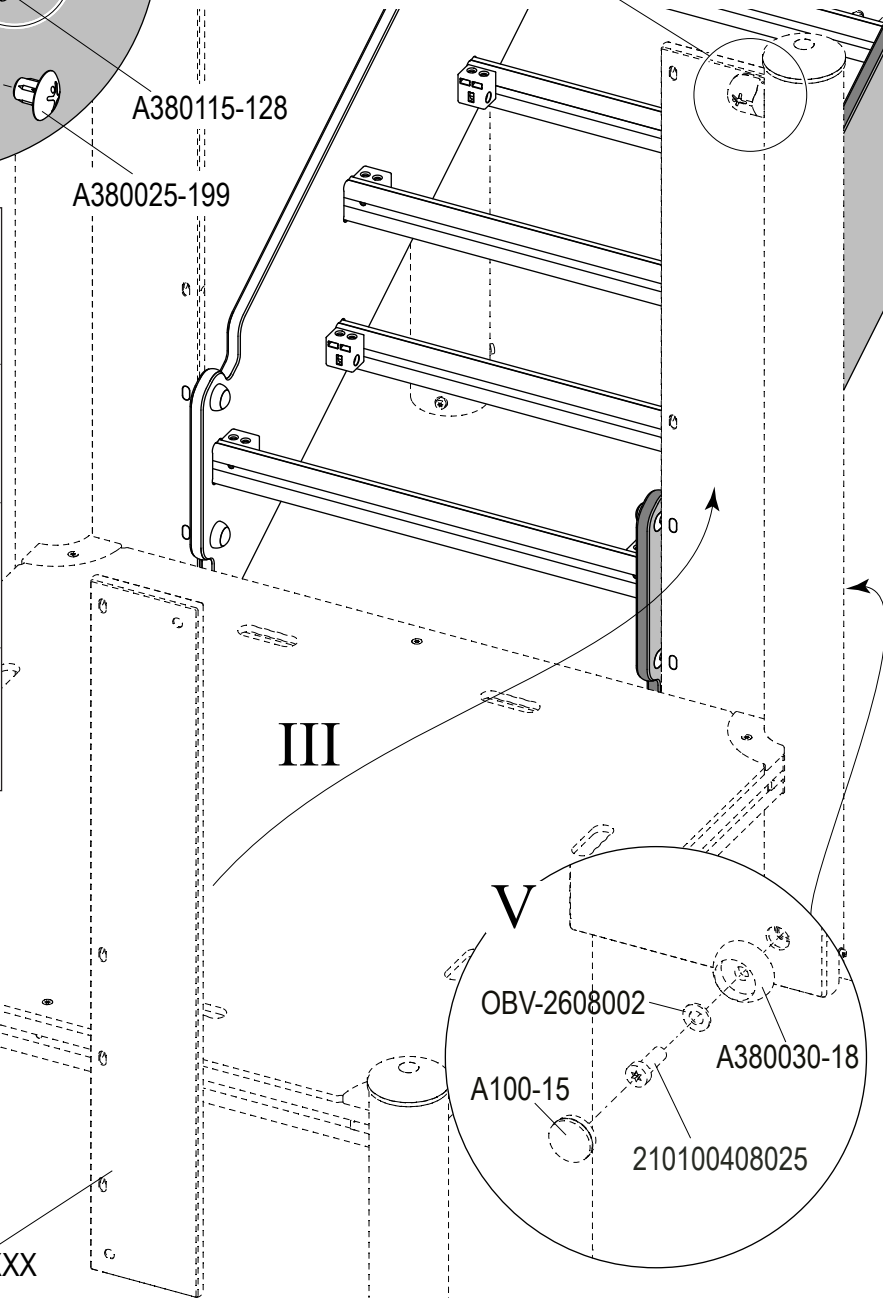
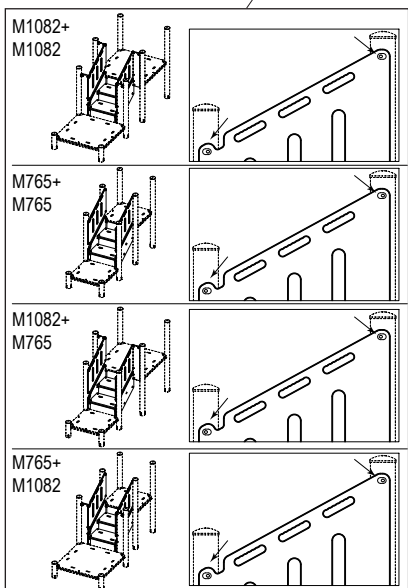
!!!

IV **A**

A380030-113
A10015-113

A380115-128

A380025-199



III

V

OBV-2608002

A380030-18

A100-15

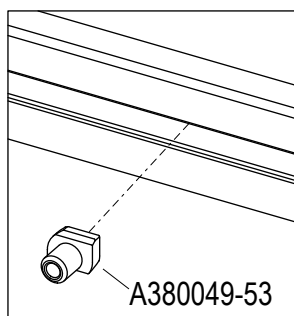
210100408025

B380073-XXXX

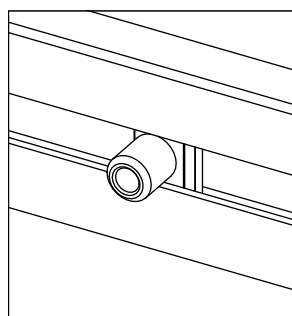
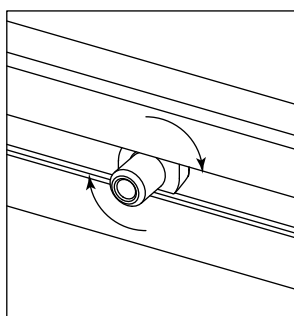


!!!

I 1x



A380049-53



CP500300
CP500400
(1082+1082)

Copyright©KOMPAN A/S

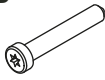


A



A10015-113

B



210100408055

C



201301008016

D

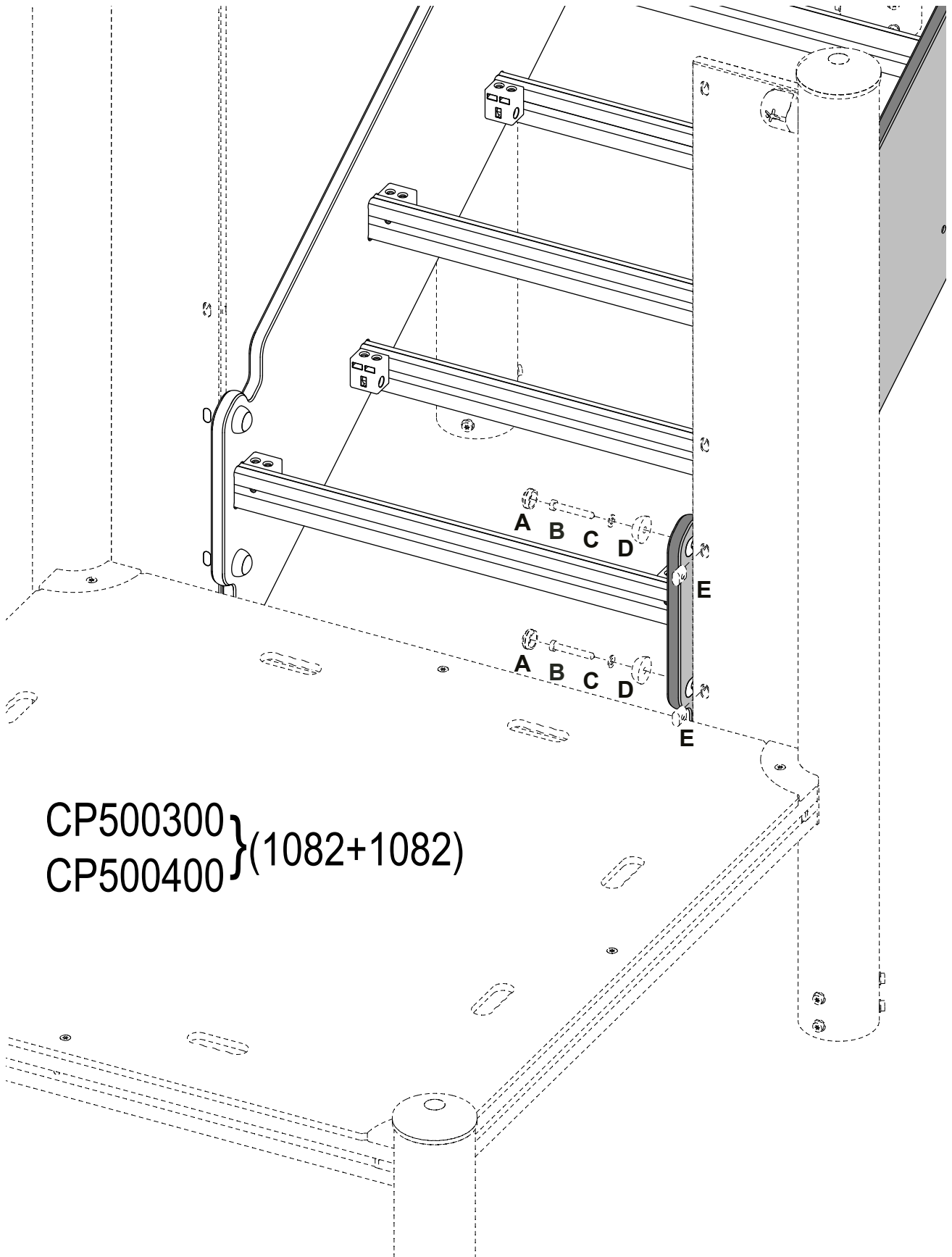


A380030-113

E



A400334-128



CP500300 }
CP500400 } (1082+1082)

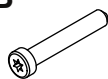


A



A10015-113

B



210100408055

C



201301008016

D

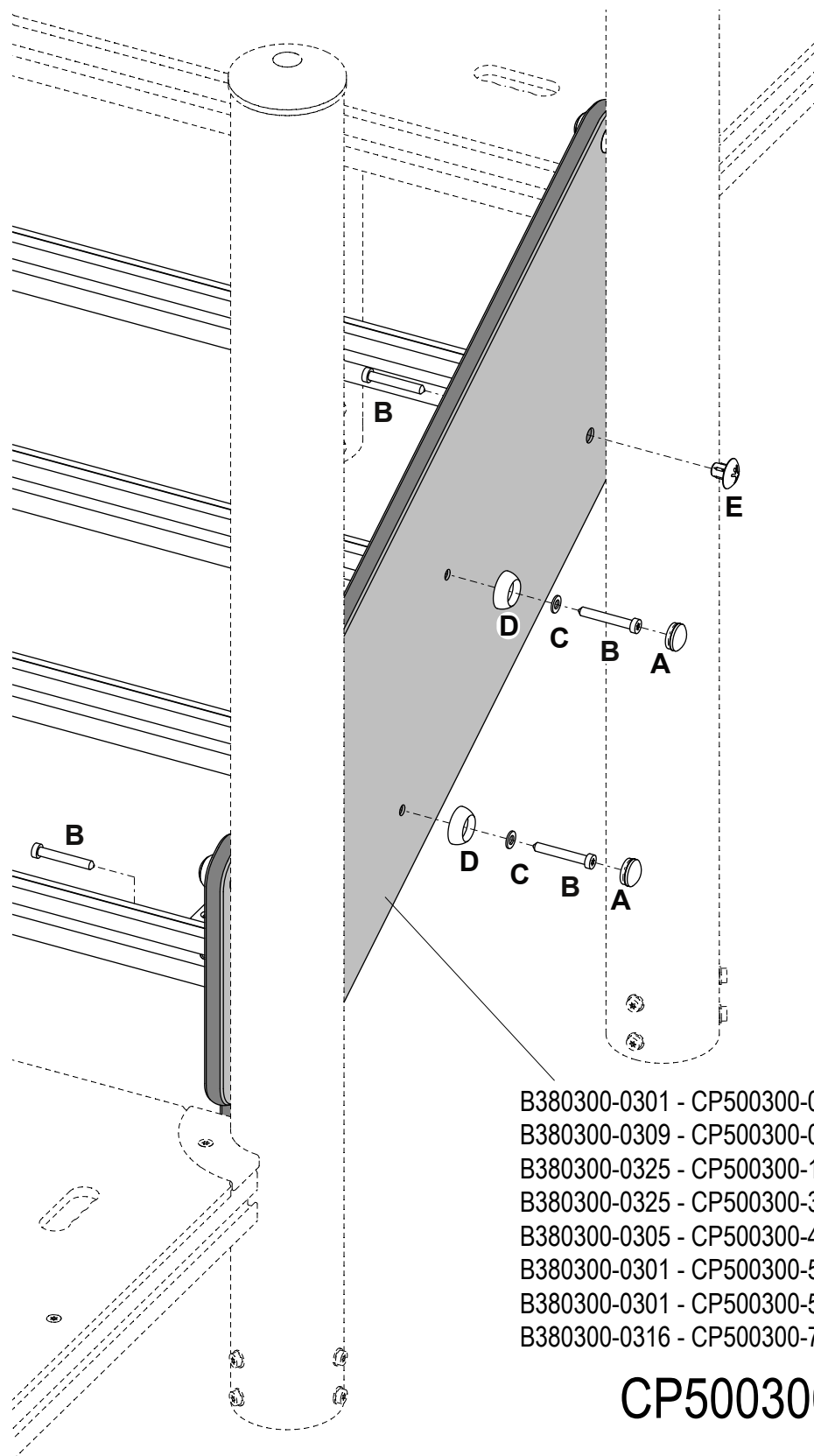


A380030-113

E



A380025-199



- B380300-0301 - CP500300-01
- B380300-0309 - CP500300-02
- B380300-0325 - CP500300-11
- B380300-0325 - CP500300-30
- B380300-0305 - CP500300-42
- B380300-0301 - CP500300-51
- B380300-0301 - CP500300-55
- B380300-0316 - CP500300-73

CP500300-XX

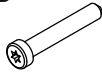


A



A10015-113

B



210100408055

C



201301008016

D

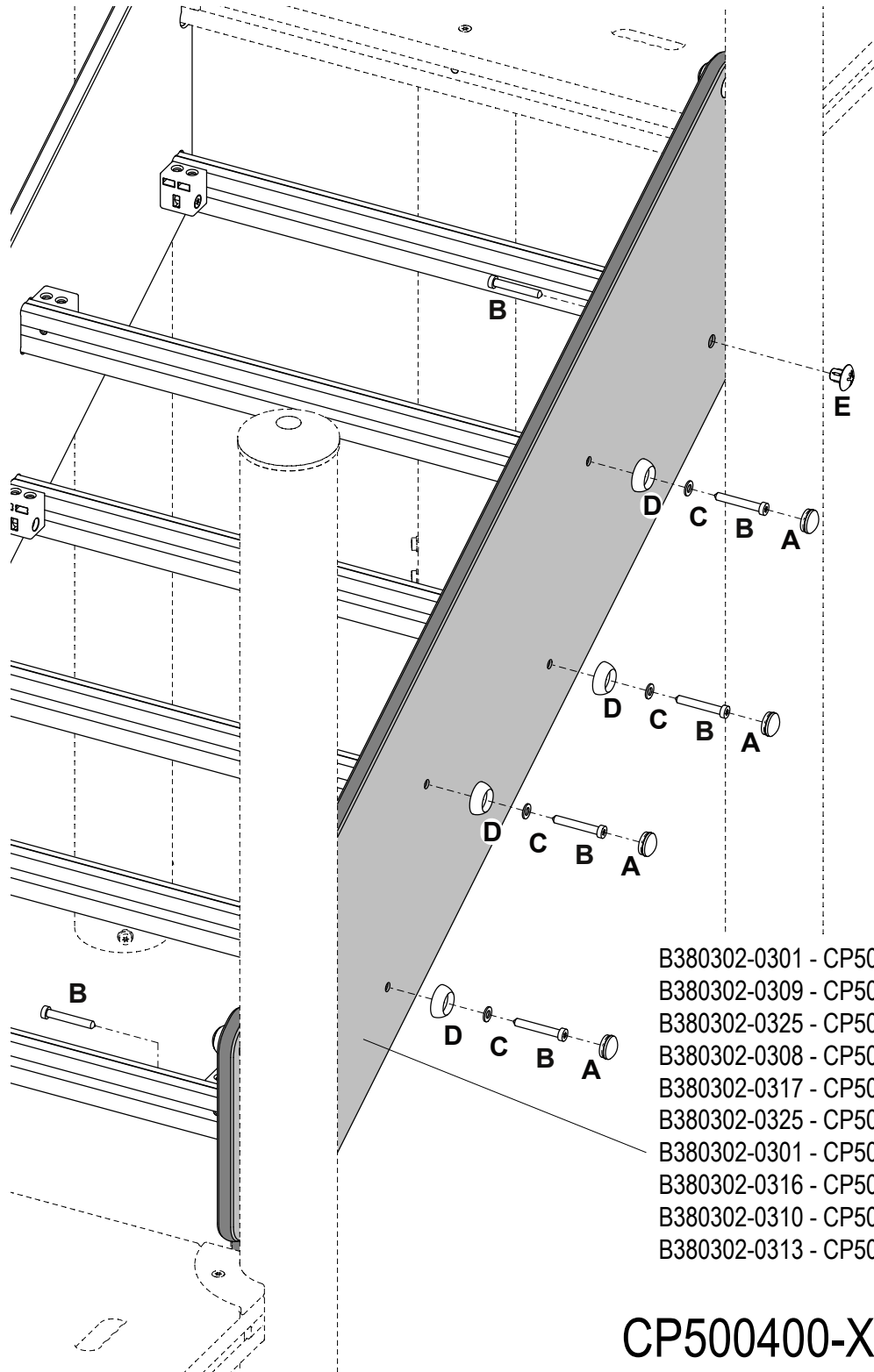


A380030-113

E







A380025-199



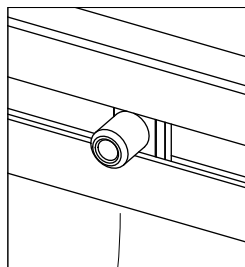
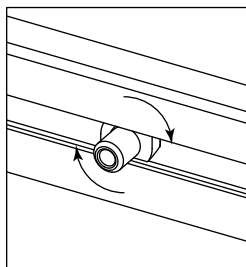
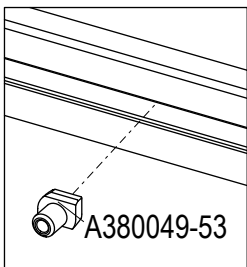
- B380302-0301 - CP500400-01
- B380302-0309 - CP500400-02
- B380302-0325 - CP500400-11
- B380302-0308 - CP500400-26
- B380302-0317 - CP500400-28
- B380302-0325 - CP500400-30
- B380302-0301 - CP500400-55
- B380302-0316 - CP500400-73
- B380302-0310 - CP500400-80
- B380302-0313 - CP500400-81

CP500400-XX

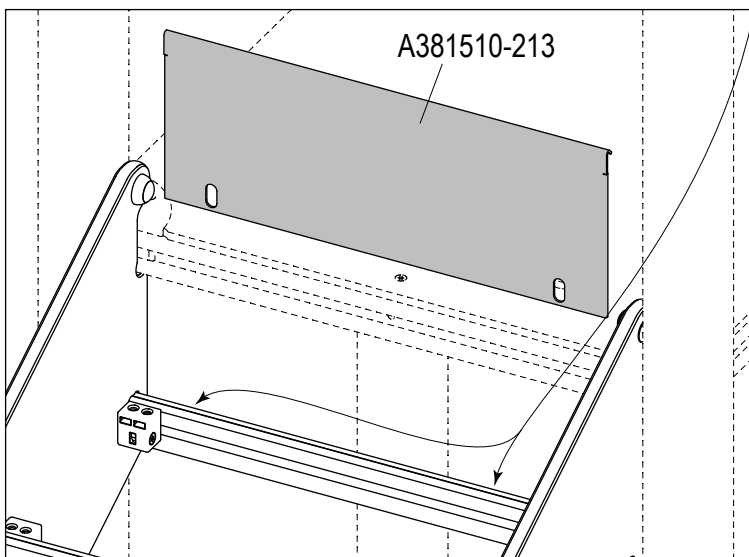


- A**

A10015-113
- B**

210100408025
- C**

201301008016
- D**

A380030-113

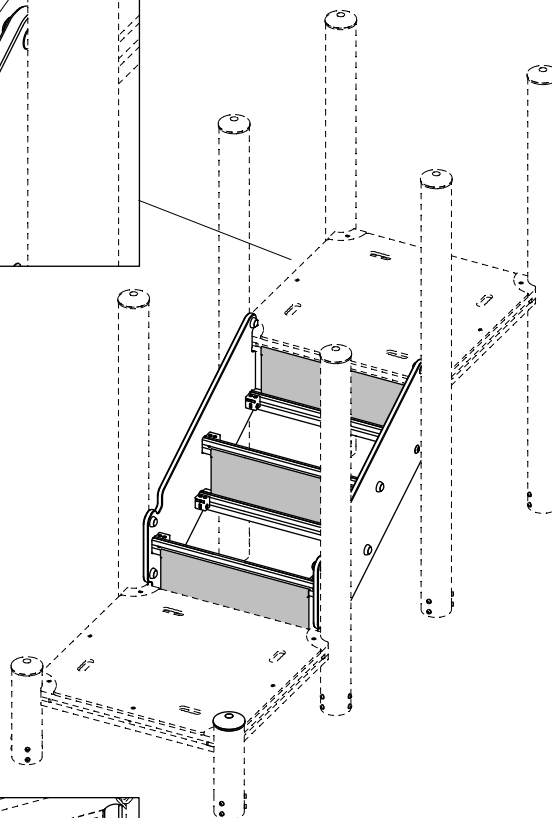
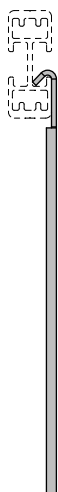
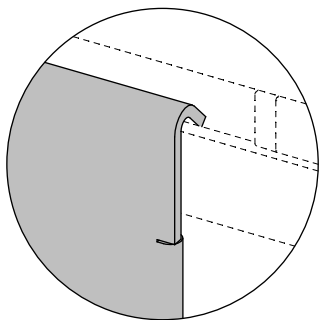
I 6x

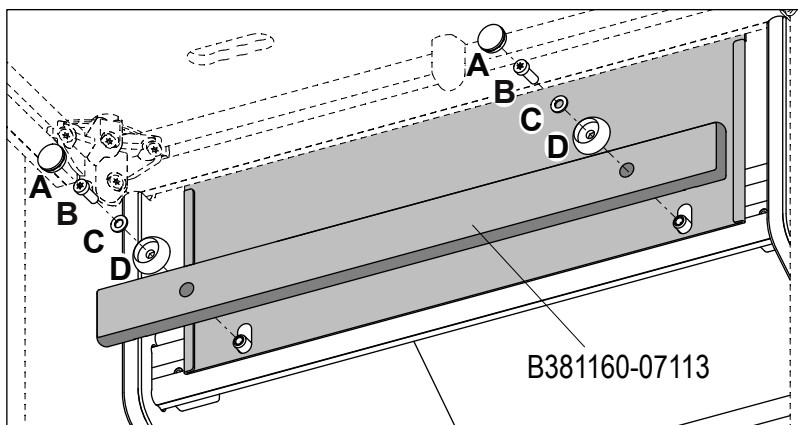
II 3x



CP500300-XX






III 3x



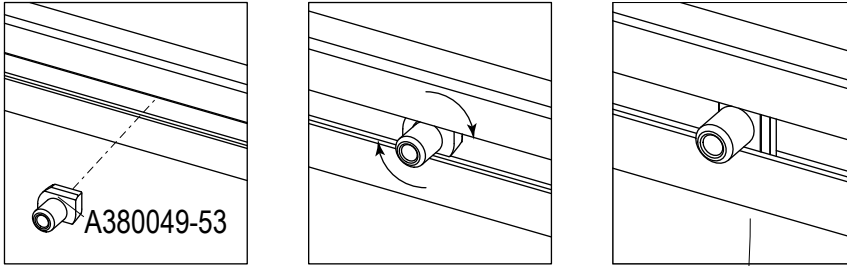
B381160-07113



- A**

 A10015-113
- B**

 210100408025
- C**

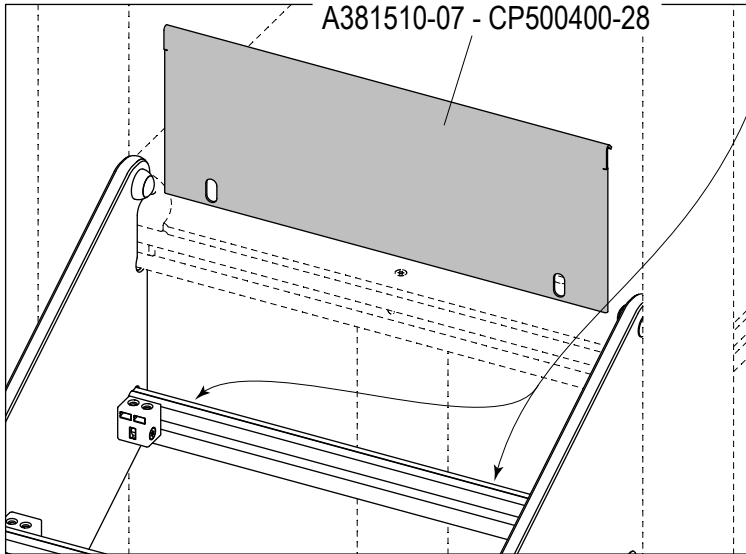
 201301008016
- D**

 A380030-113

I 8x

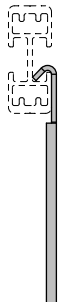
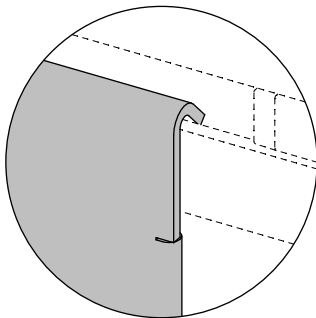
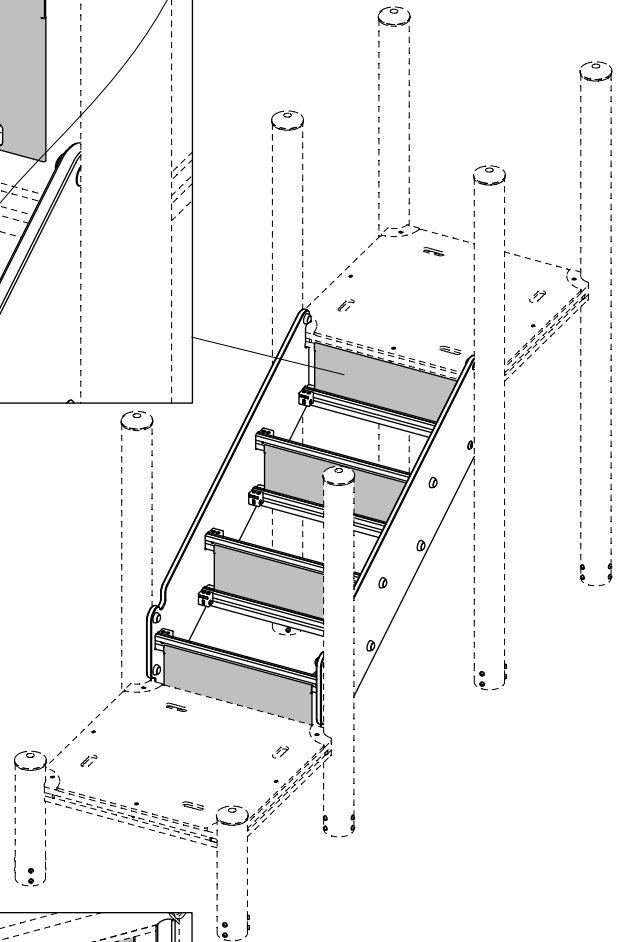



II 4x

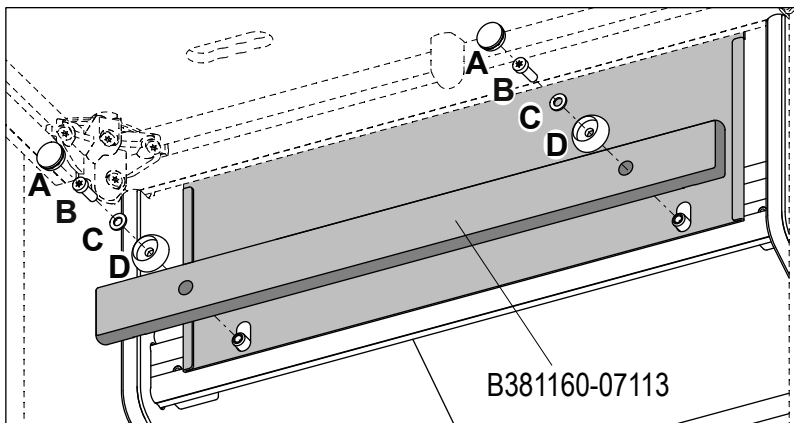
- A381510-213 - CP500400-01/02/11/30//55/73/80/81
- A381510-12 - CP500400-26
- A381510-07 - CP500400-28



CP500400-XX



III 4x



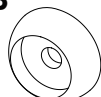


A



A380025-199

B



A380030-113

C



201301008016

D

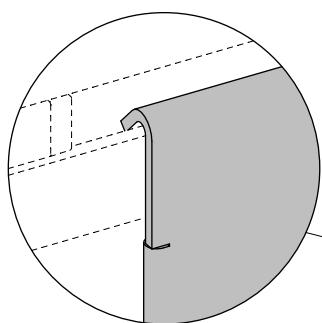


210100408025

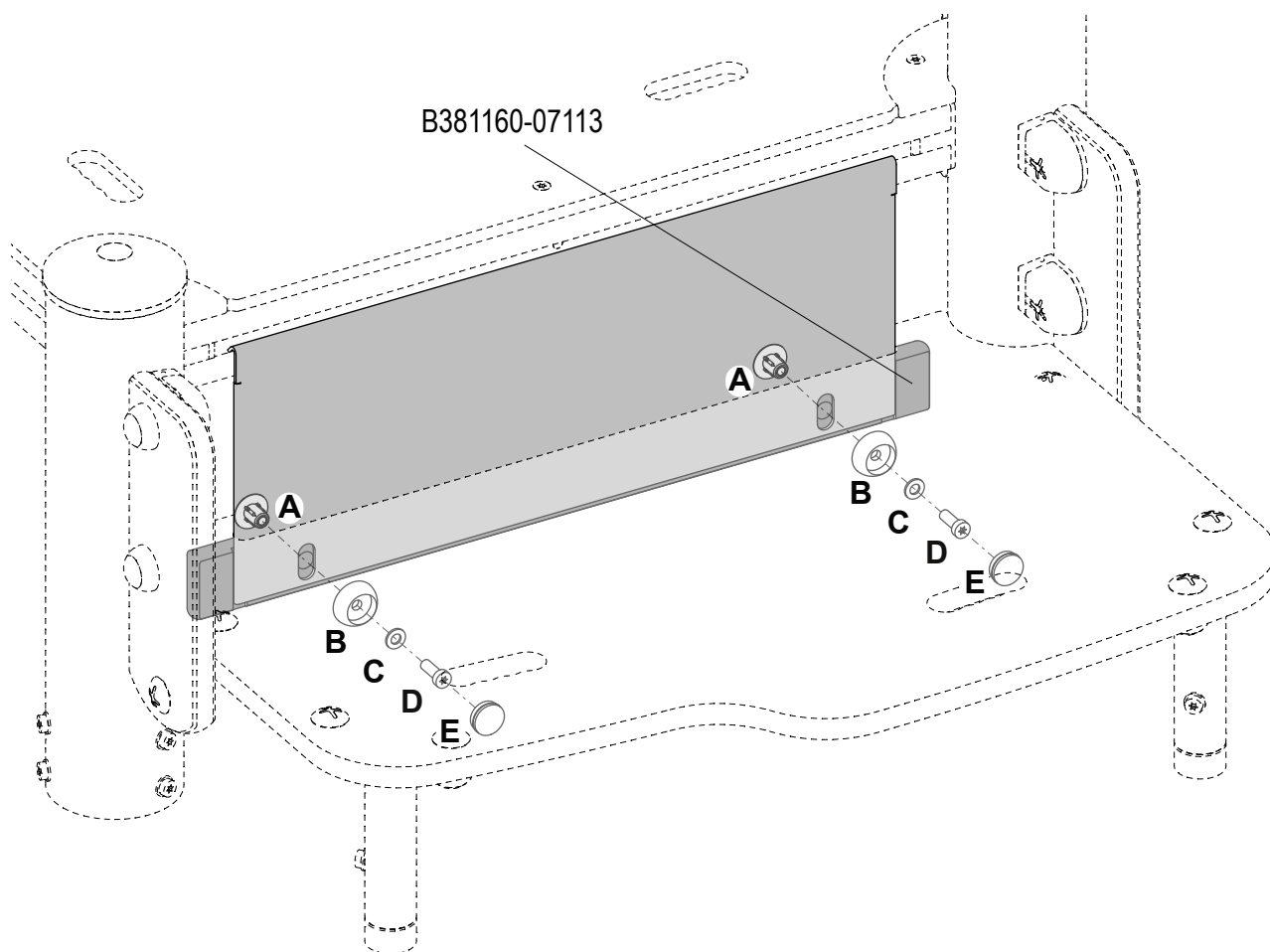
E



A10015-113



B381160-07113





A



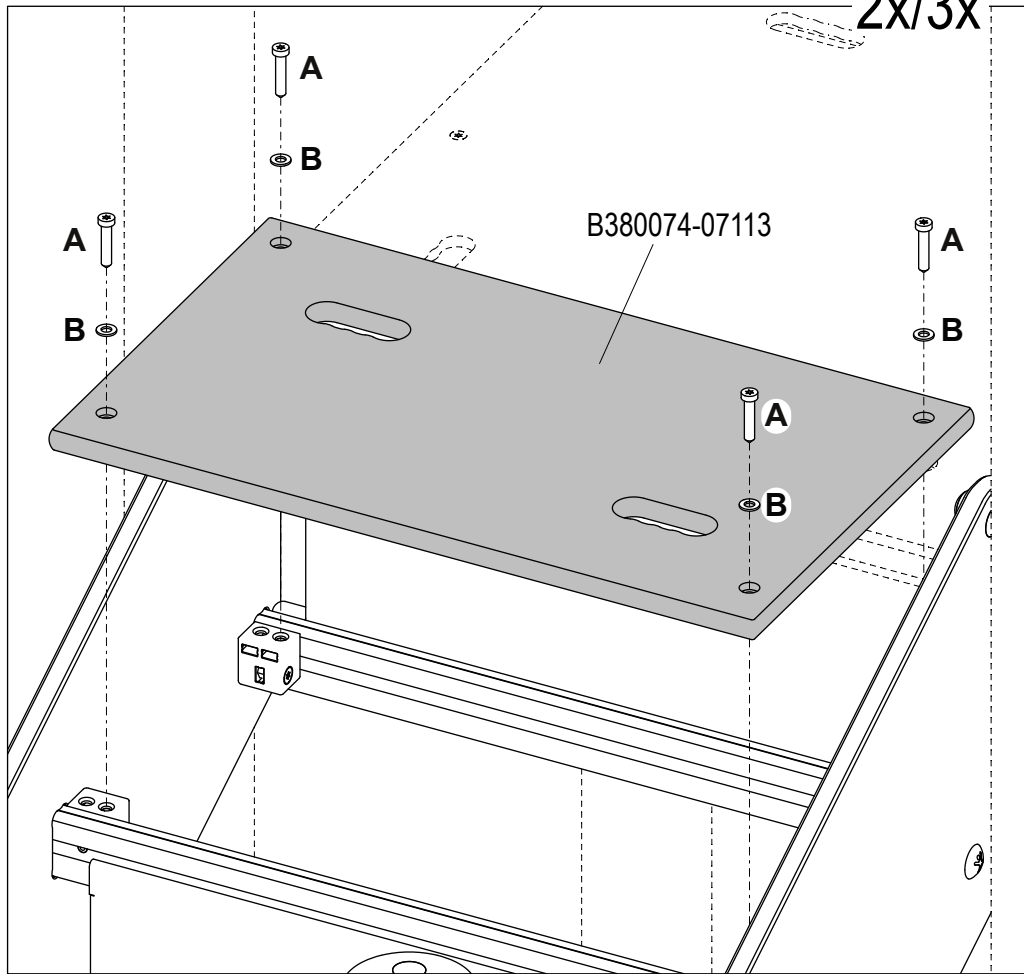
250100408040

B

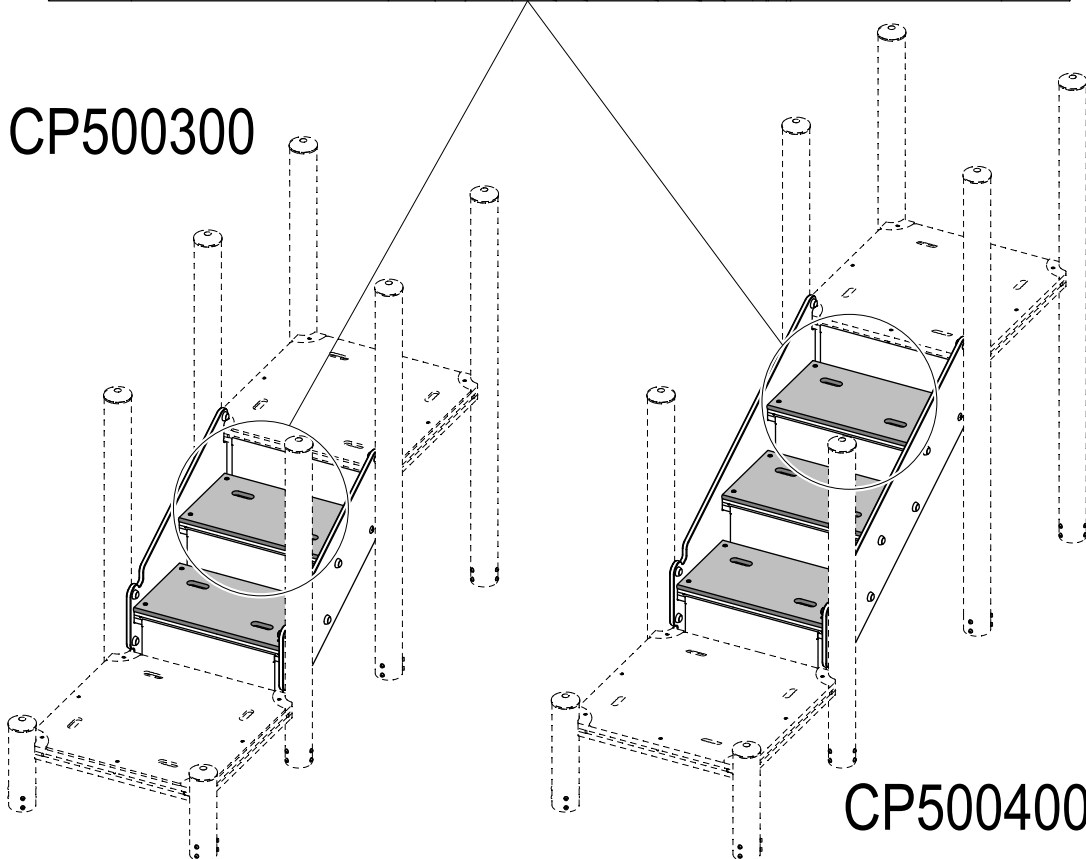


201301008016

2x/3x



CP500300



CP500400

VCP5003XX 20160606 PetrJu



A



250100408040

B



201301008016

C



A380030-113

D



A380376-128

E



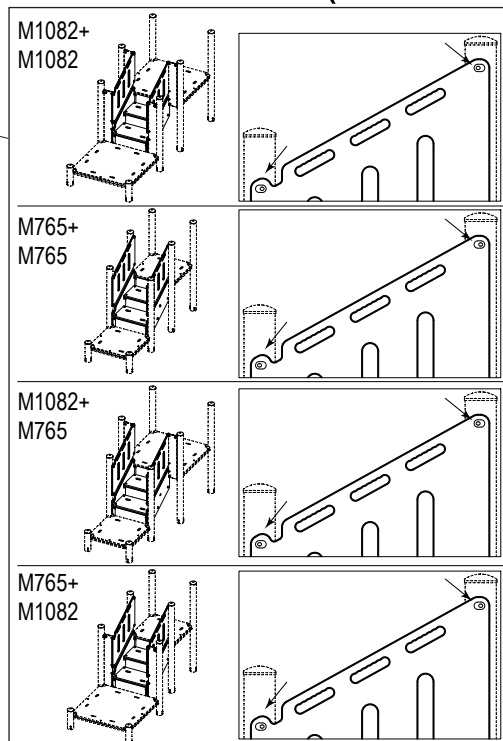
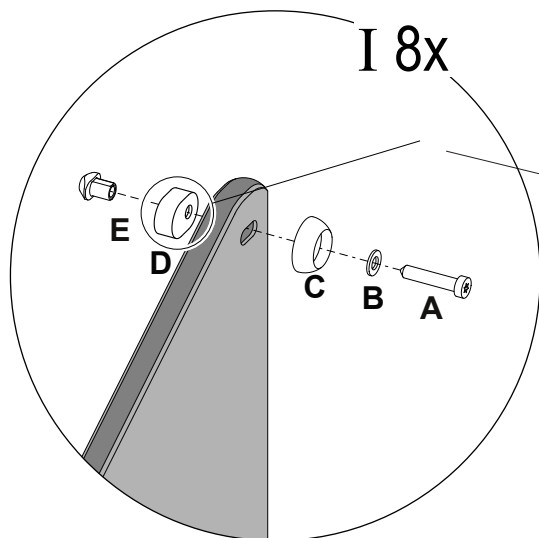
A380050-51

F

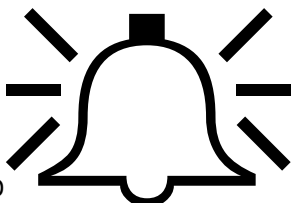


A10015-113

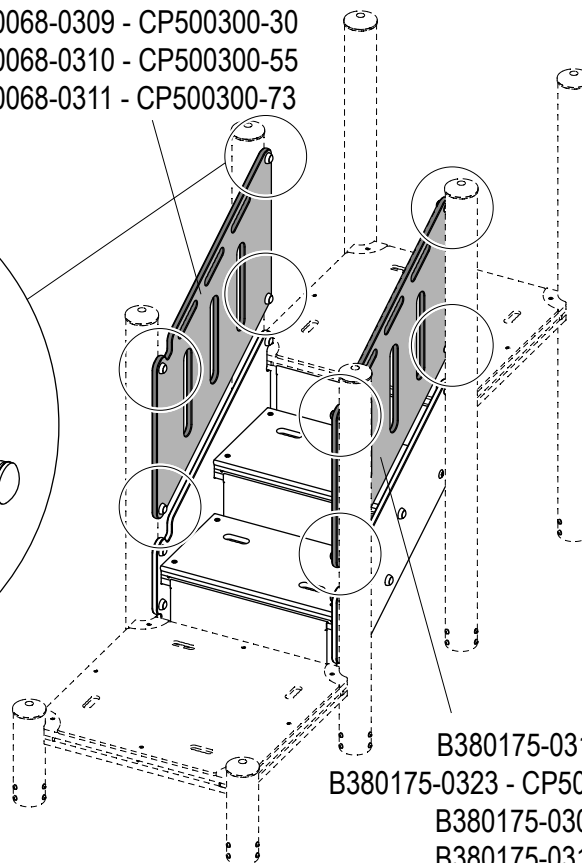
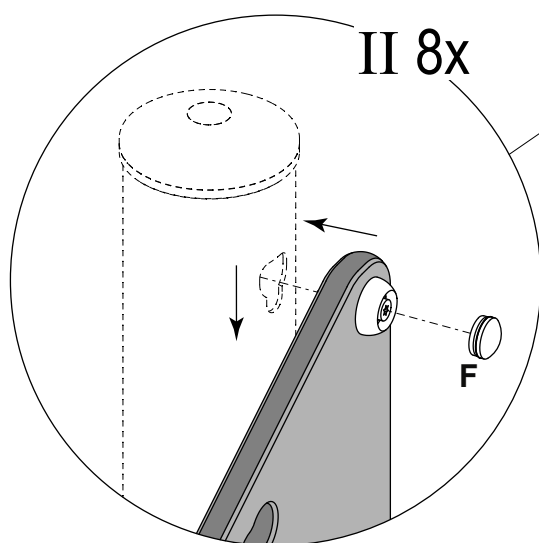
CP500300-XX (765X765)



steel
stahl
acier
acero
acciaio
staal
stål
stål
сталь
terästä

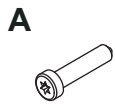


B380068-0311 - CP500300-01
 B380068-0323 - CP500300-02/11/42/51
 B380068-0309 - CP500300-30
 B380068-0310 - CP500300-55
 B380068-0311 - CP500300-73

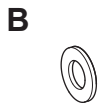


B380175-0311 - CP500300-01
 B380175-0323 - CP500300-02/11/42/51
 B380175-0309 - CP500300-30
 B380175-0310 - CP500300-55
 B380175-0311 - CP500300-73
 Copyright©KOMPAN A/S

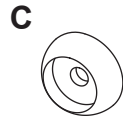
VCP5003XX 20160606 PetrJu



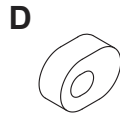
250100408040



201301008016



A380030-113



A380376-128

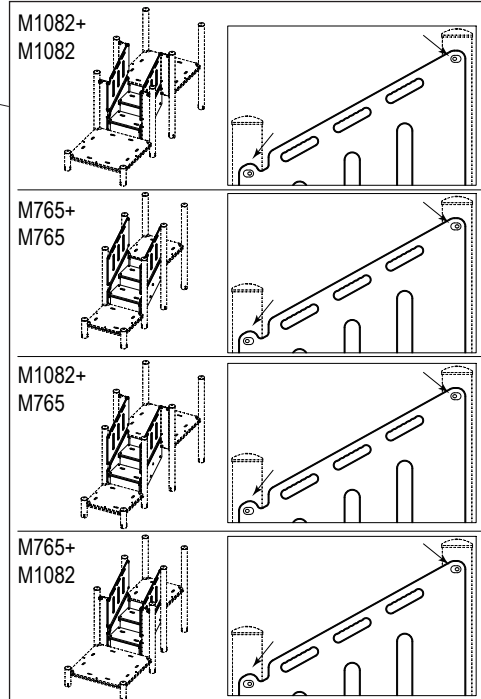
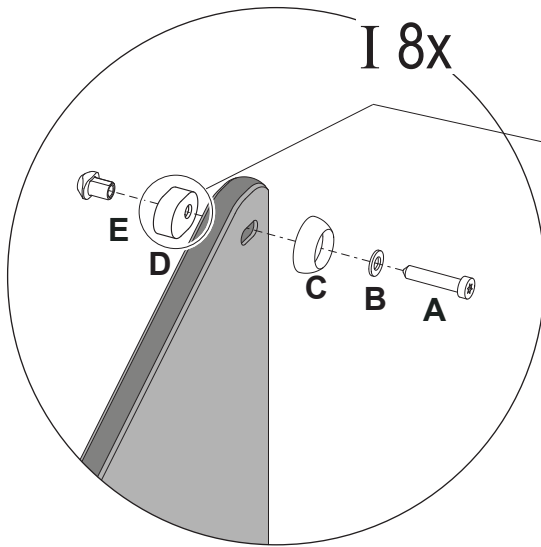


A380050-51

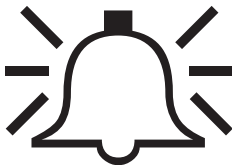


A10015-113

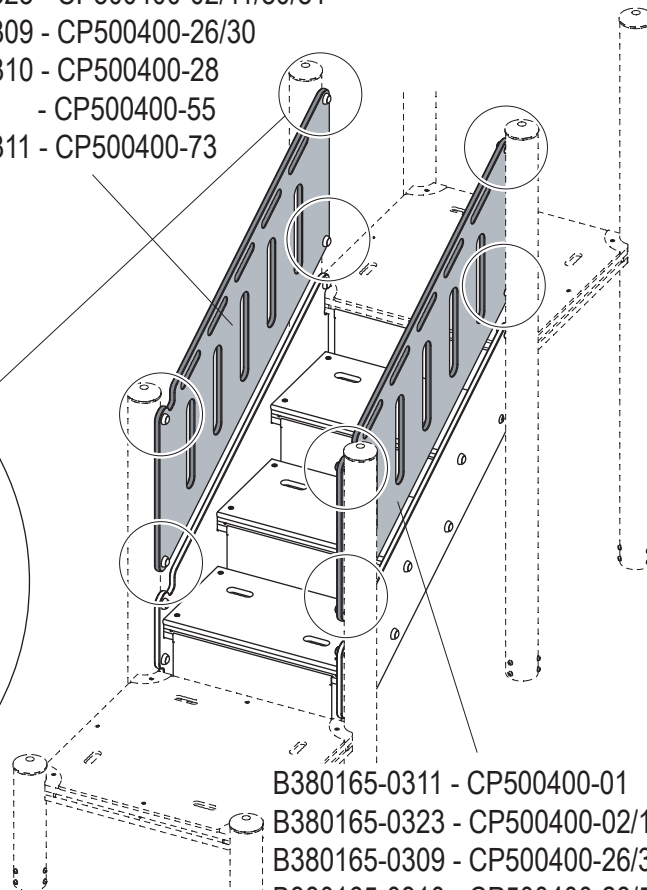
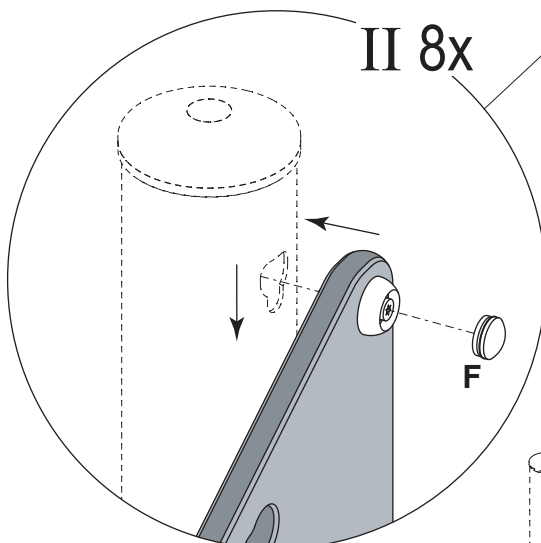
CP500400-XX (765X765)



steel
stahl
acier
acero
acciaio
staal
stål
stål
сталь
terästä



- B380071-0311 - CP500400-01
- B380071-0323 - CP500400-02/11/80/81
- B380071-0309 - CP500400-26/30
- B380071-0310 - CP500400-28
- CP500400-55
- B380071-0311 - CP500400-73



- B380165-0311 - CP500400-01
- B380165-0323 - CP500400-02/11/80/81
- B380165-0309 - CP500400-26/30
- B380165-0310 - CP500400-28/55
- B380165-0311 - CP500400-73

Copyright©KOMPAN A/S



A



A10015-113

B



A380166-52

C



201301008016

D



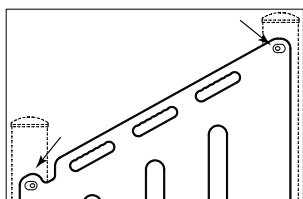
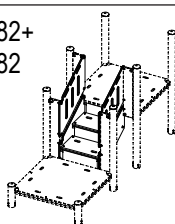
A380030-113

E

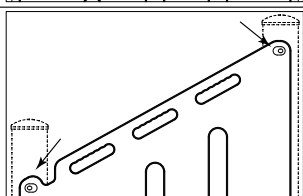
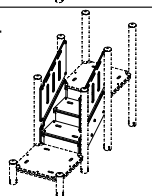


A380376-128

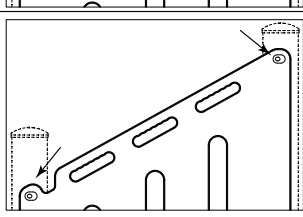
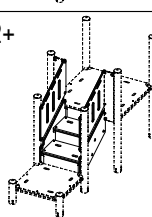
M1082+
M1082



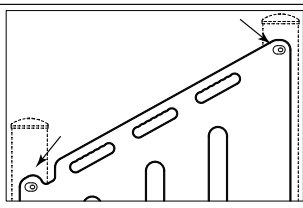
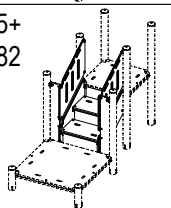
M765+
M765



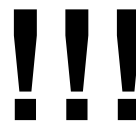
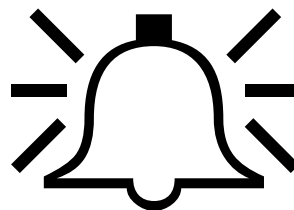
M1082+
M765



M765+
M1082

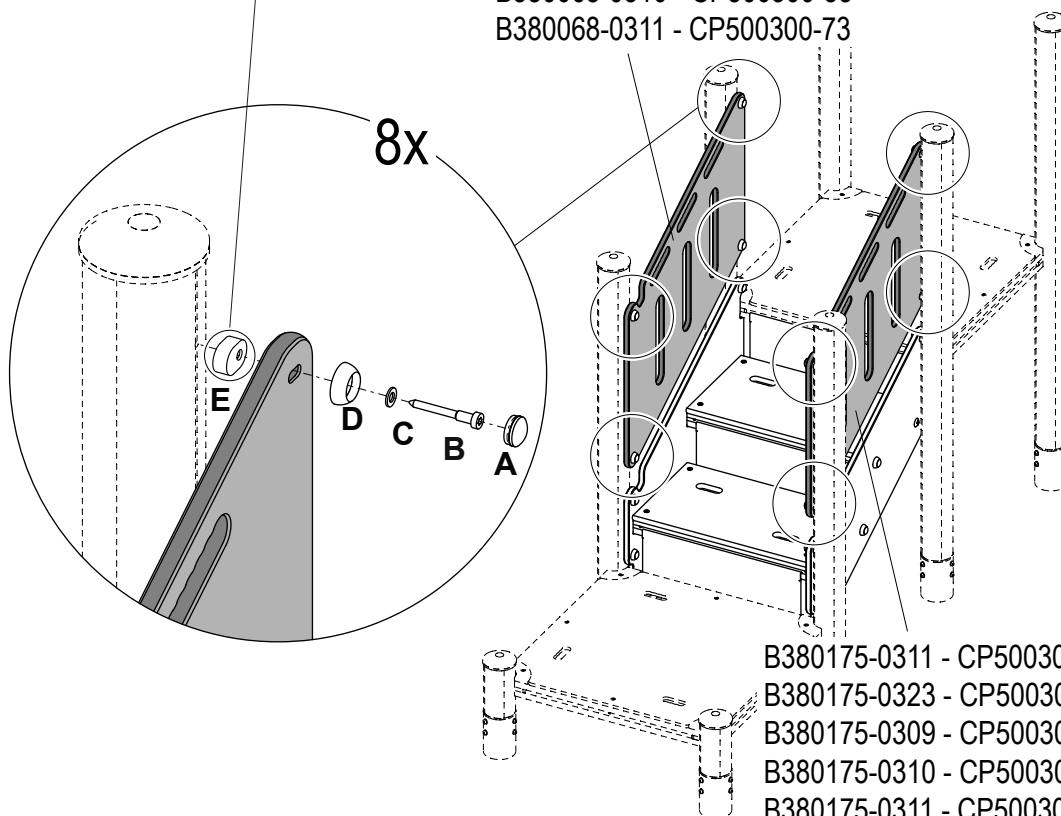


CP500300-XX (765X765)



wood
holz
bois
madera
legno
hout
trä
træ
дерево
puu

B380068-0311 - CP500300-01
B380068-0323 - CP500300-02/11/42/51
B380068-0309 - CP500300-30
B380068-0310 - CP500300-55
B380068-0311 - CP500300-73



B380175-0311 - CP500300-01
B380175-0323 - CP500300-02/11/42/51
B380175-0309 - CP500300-30
B380175-0310 - CP500300-55
B380175-0311 - CP500300-73

Copyright©KOMPAN A/S



A



A10015-113

B



A380166-52

C



201301008016

D



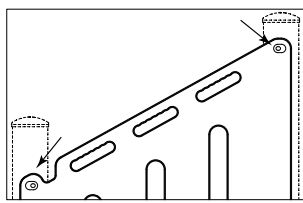
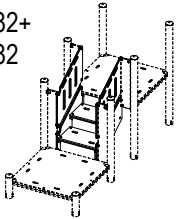
A380030-113

E

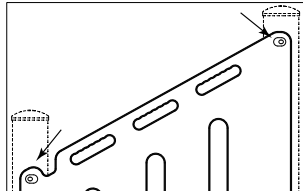
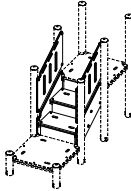


A380376-128

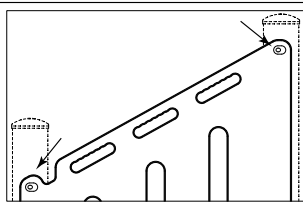
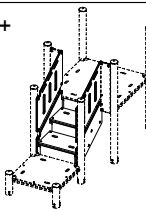
M1082+
M1082



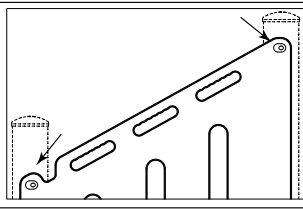
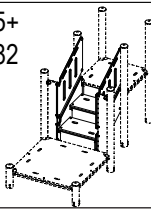
M765+
M765



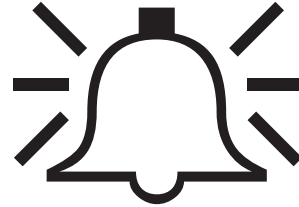
M1082+
M765



M765+
M1082



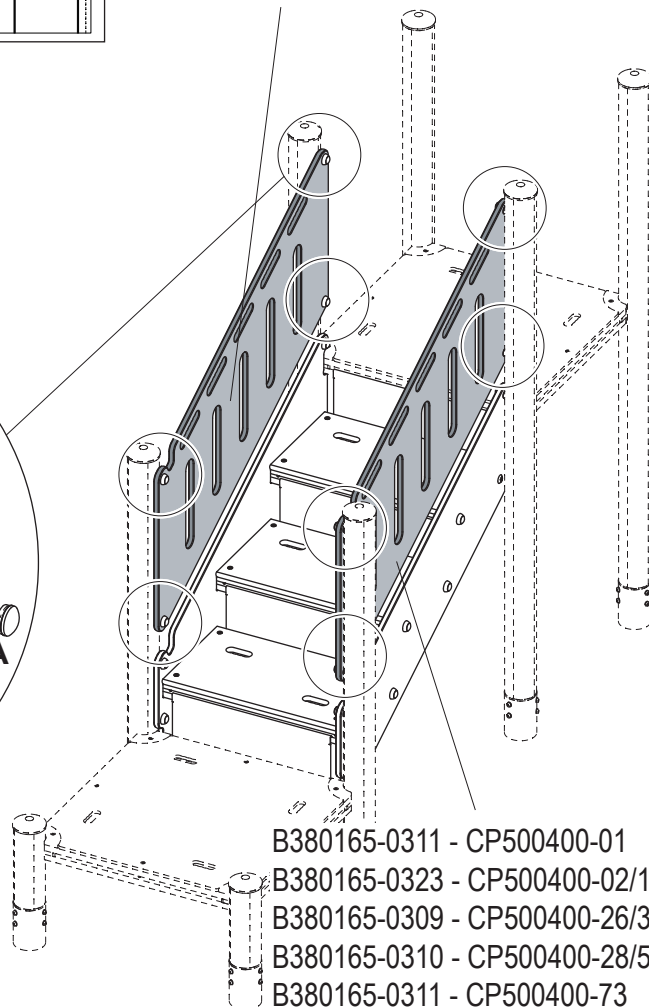
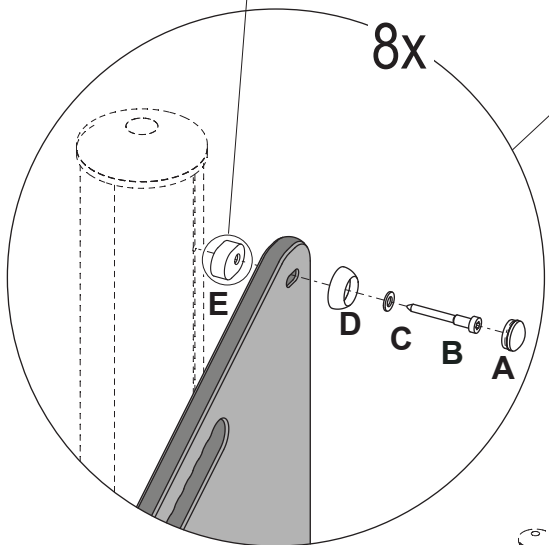
CP500400-XX (765X765)



wood
holz
bois
madera
legno
hout
trä
træ
дерево
рун



- B380071-0311 - CP500400-01
- B380071-0323 - CP500400-02/11/80/81
- B380071-0309 - CP500400-26/30
- B380071-0310 - CP500400-28/55
- B380071-0311 - CP500400-73



- B380165-0311 - CP500400-01
- B380165-0323 - CP500400-02/11/80/81
- B380165-0309 - CP500400-26/30
- B380165-0310 - CP500400-28/55
- B380165-0311 - CP500400-73

VCP5003XX 20160606 PetrJu

Copyright©KOMPAN A/S

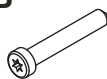


A



A10015-113

B



210100408055

C



201301008016

D



A380030-113

E



A380376-128

F



A400334-128

CP500300-XX (1082X1082)

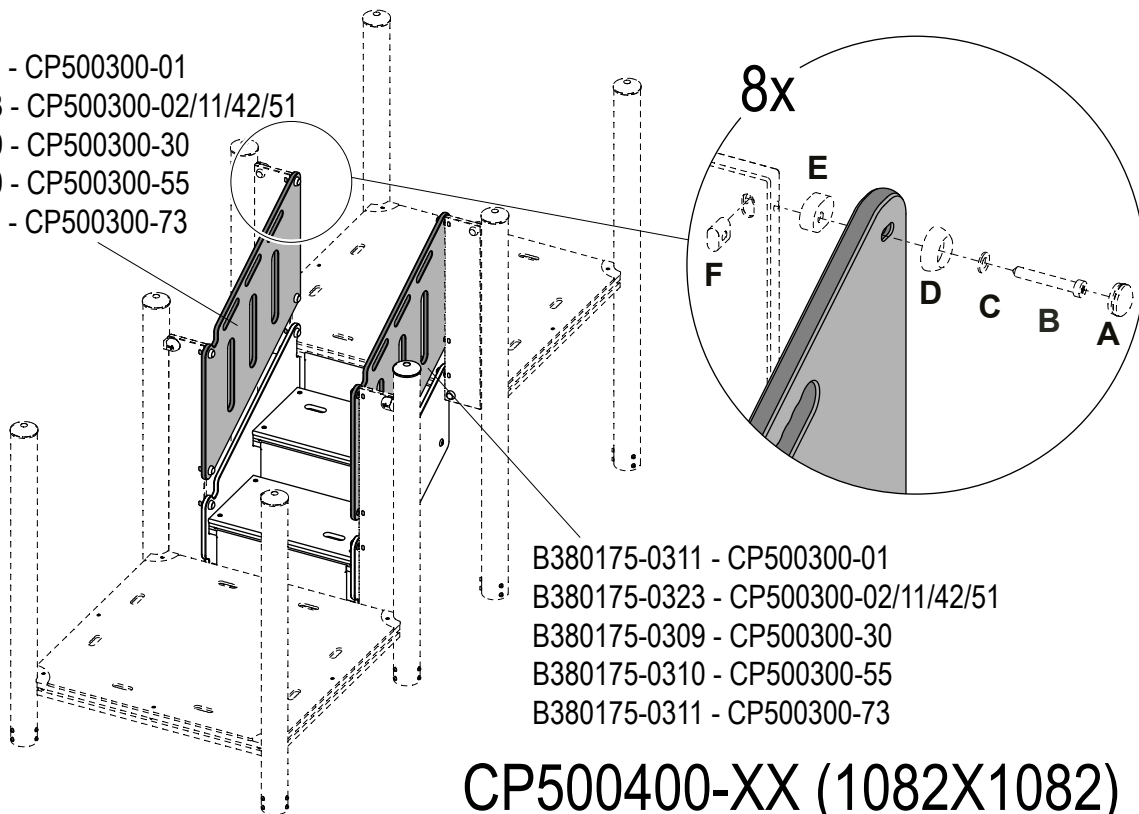
B380068-0311 - CP500300-01

B380068-0323 - CP500300-02/11/42/51

B380068-0309 - CP500300-30

B380068-0310 - CP500300-55

B380068-0311 - CP500300-73



B380175-0311 - CP500300-01

B380175-0323 - CP500300-02/11/42/51

B380175-0309 - CP500300-30

B380175-0310 - CP500300-55

B380175-0311 - CP500300-73

CP500400-XX (1082X1082)

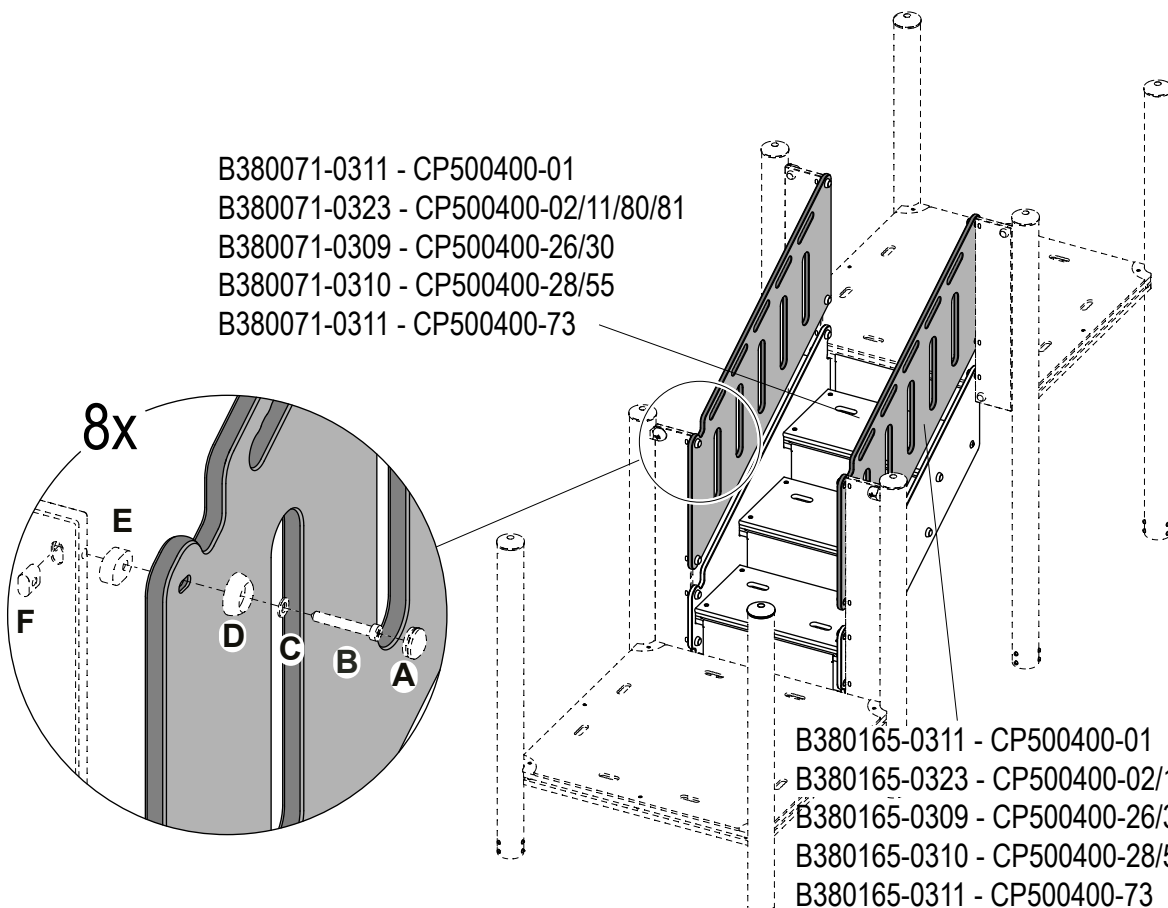
B380071-0311 - CP500400-01

B380071-0323 - CP500400-02/11/80/81

B380071-0309 - CP500400-26/30

B380071-0310 - CP500400-28/55

B380071-0311 - CP500400-73



B380165-0311 - CP500400-01

B380165-0323 - CP500400-02/11/80/81

B380165-0309 - CP500400-26/30

B380165-0310 - CP500400-28/55

B380165-0311 - CP500400-73

Copyright©KOMPAN A/S

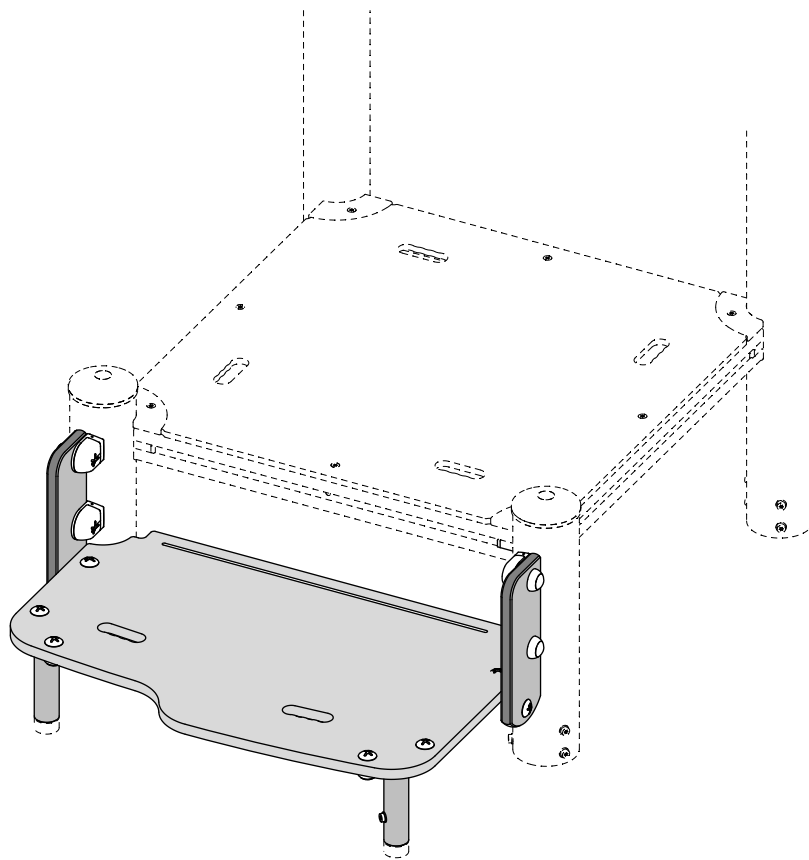
KOMPAN!

CP500503-XX

CP500504-XX

CP500505-XX

CP500506-XX





A



A10015-113

B



210100408025

C



201301008016

D



A380030-113

E

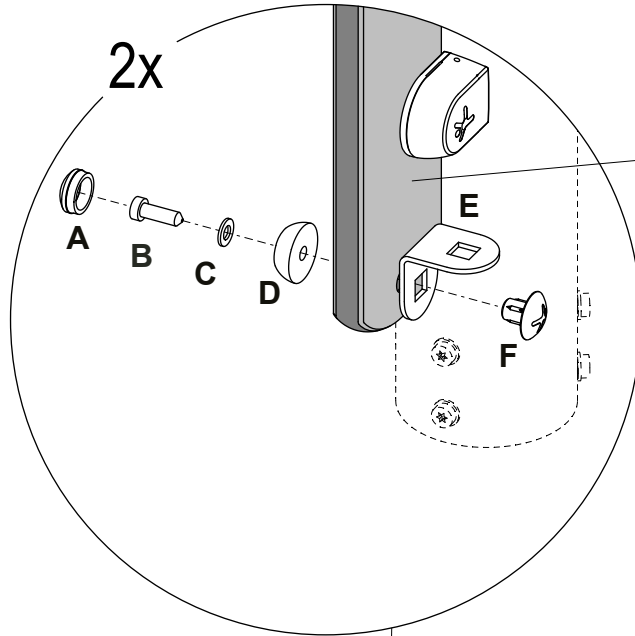


A380135-51

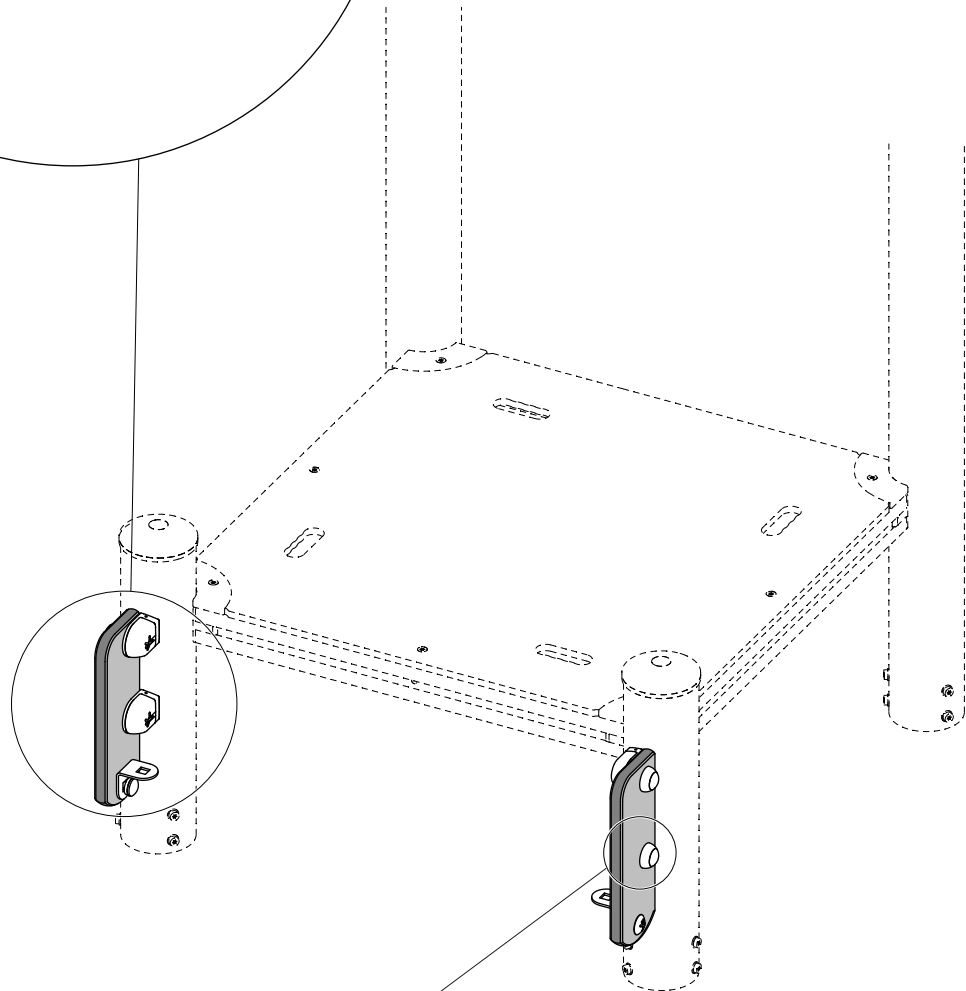
F



A380025-199



- B380094-0301 - CP500503-01
- CP500504-01
- CP500505-01
- B380094-0309 - CP500505-02
- B380094-0310 - CP500503-03
- CP500504-06
- CP500505-06
- B380094-0313 - CP500505-00
- B380094-0316 - CP500504-64
- B380094-0323 - CP500504-08
- CP500506-08
- B380094-0325 - CP500504-11



4x



A



A10015-113

B



210100408025

C



201301008016

D



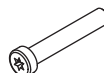
A380030-113

E



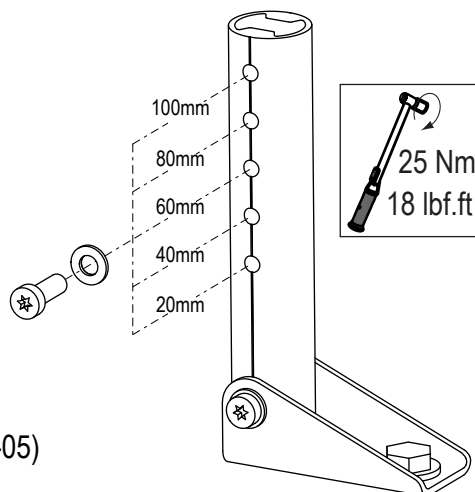
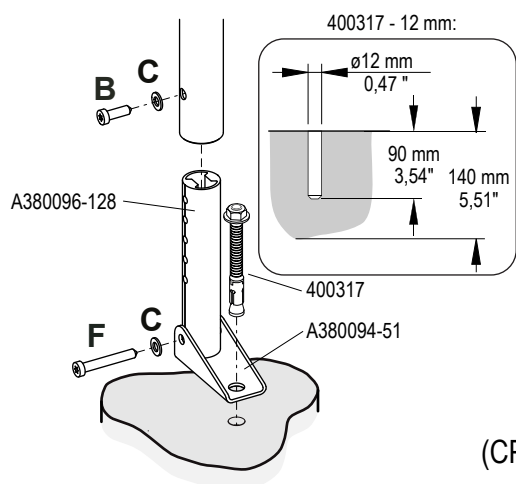
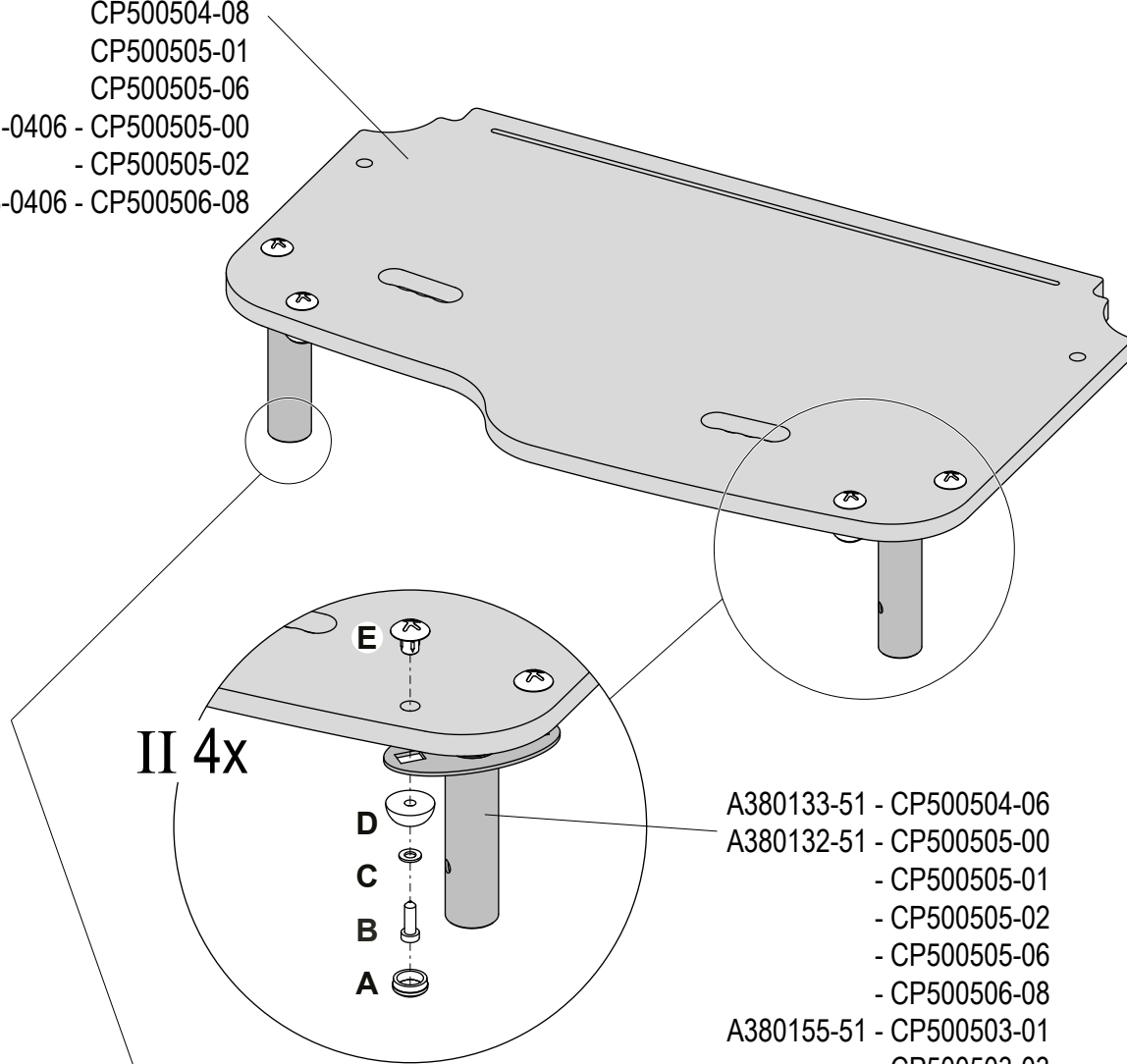
A380025-199

F



210100408055

- B380095-0406 - CP500503-01
- CP500503-03
- CP500504-01
- CP500504-06
- CP500504-08
- CP500505-01
- CP500505-06
- B381161-0406 - CP500505-00
- CP500505-02
- B380543-0406 - CP500506-08





A



A10015-113

B



210100408025

C



201301008016

D



A380030-113

E



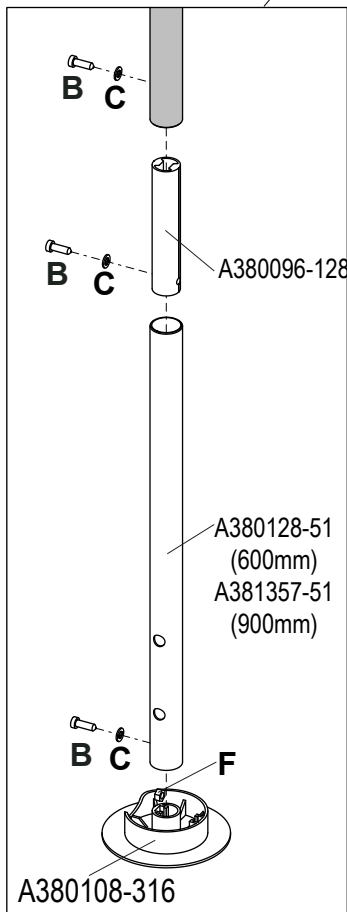
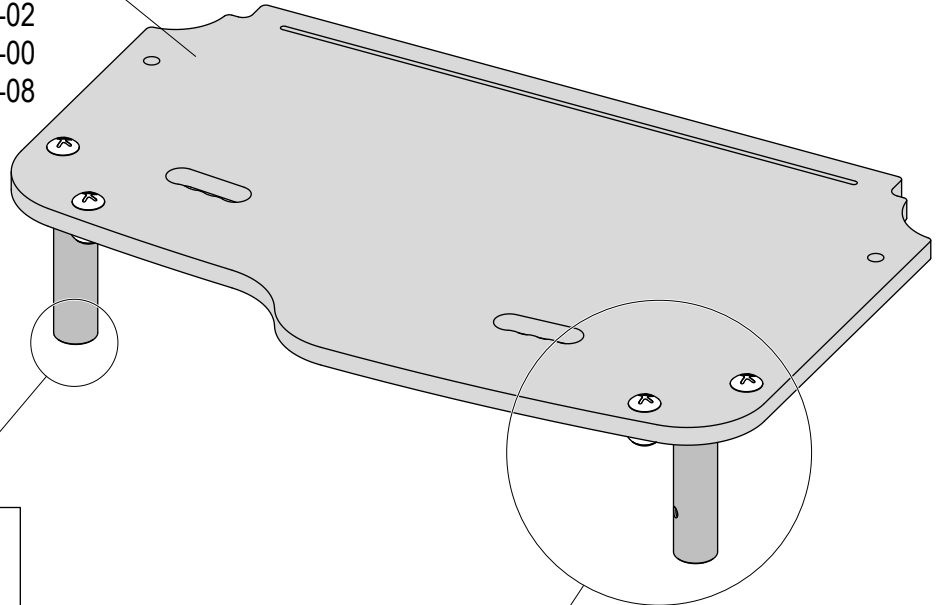
A380025-199

F



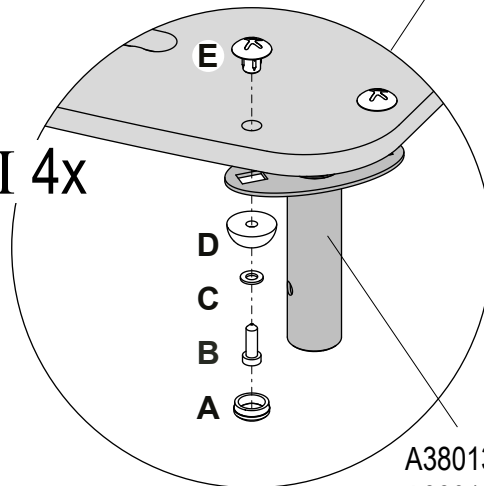
400008-A2

- B380095-0406 - CP500503-01
- CP500503-03
- CP500504-01
- CP500504-06
- CP500504-08
- CP500505-01
- CP500505-06
- B381161-0406 - CP500505-02
- CP500505-00
- B380543-0406 - CP500506-08



(CP122200-05 600mm)
 (CP122201-05 900mm)

II 4x



- A380133-51 - CP500504-06
- A380132-51 - CP500505-00
- CP500505-01
- CP500505-02
- CP500505-06
- CP500506-08
- A380155-51 - CP500503-01
- CP500503-03



A



A10015-113

B



210100408025

C



201301008016

D

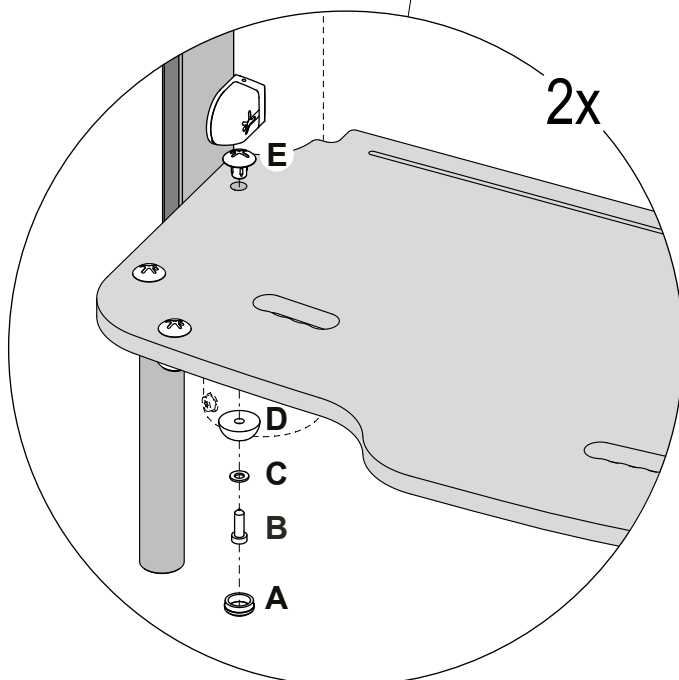
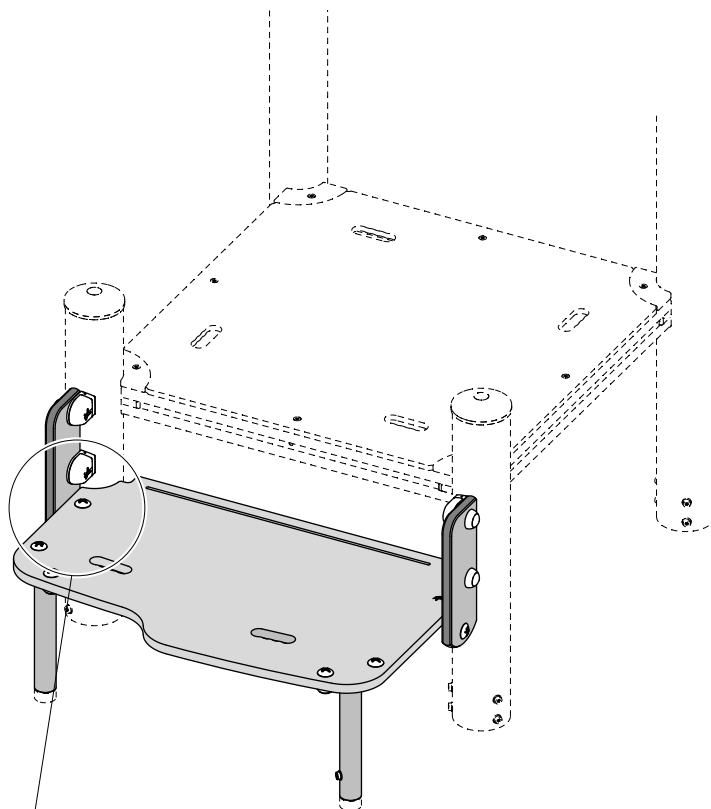


A380030-113

E



A380025-199



2x

E

D

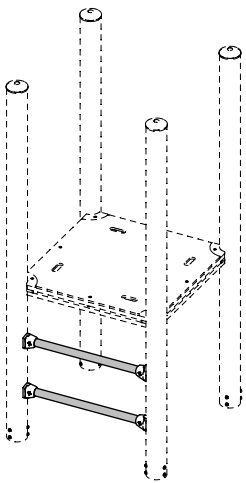
C

B

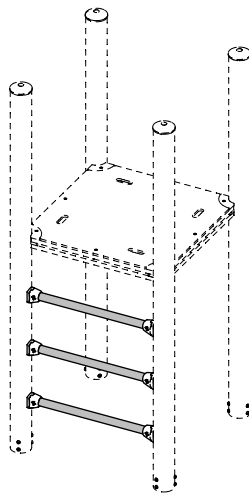
A

	CP500812-05	CP500909-12
	CP500812-08	CP500909-23
CP500809-05	CP500812-12	CP500912-05
CP500809-12	CP500909-05	CP500912-12

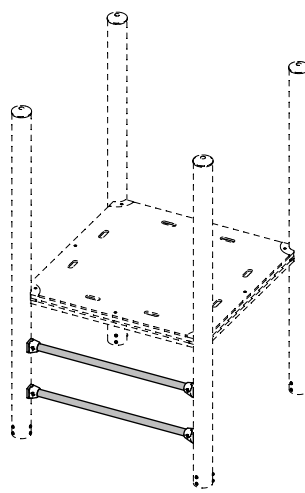
CP500809



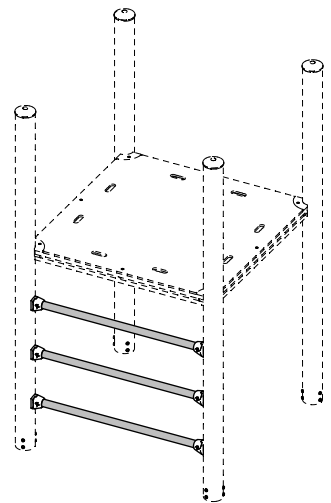
CP500812



CP500909

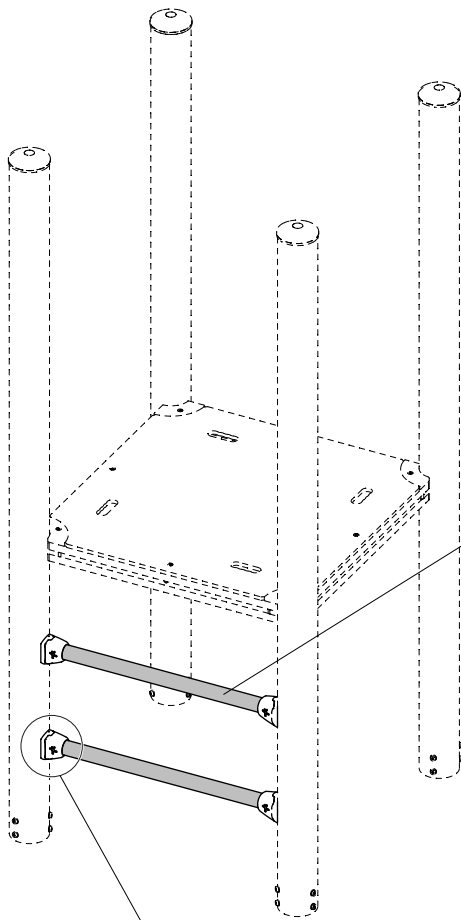


CP500912



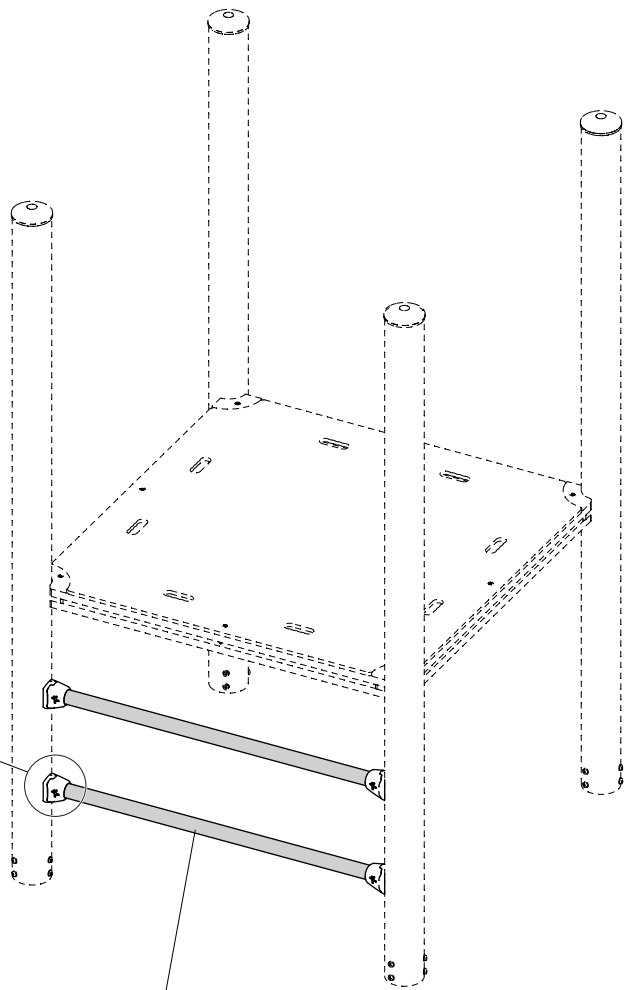



CP500809




2x A380089-51 - CP500809-05
2x A380687-112 - CP500809-12

CP500909



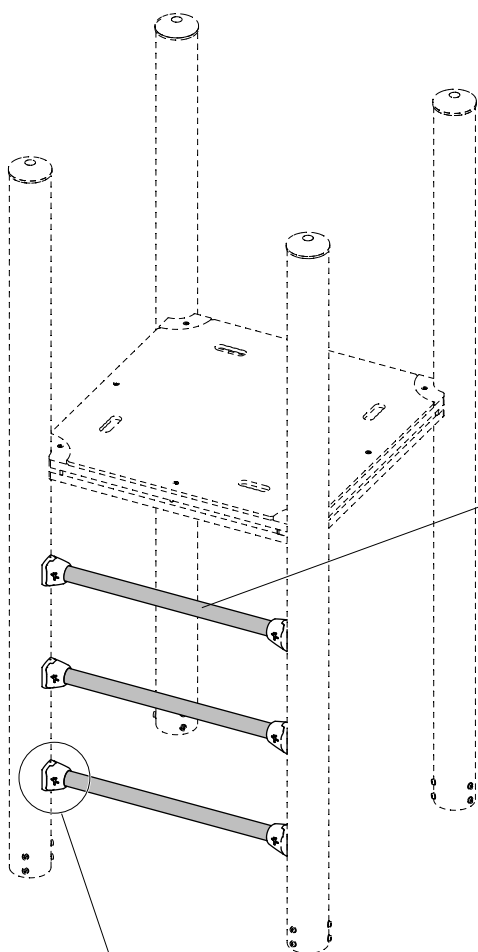
4x 

4x 

2x A380071-51 - CP500909-05
2x A380688-112 - CP500909-12
2x A380071-188AP - CP500909-23



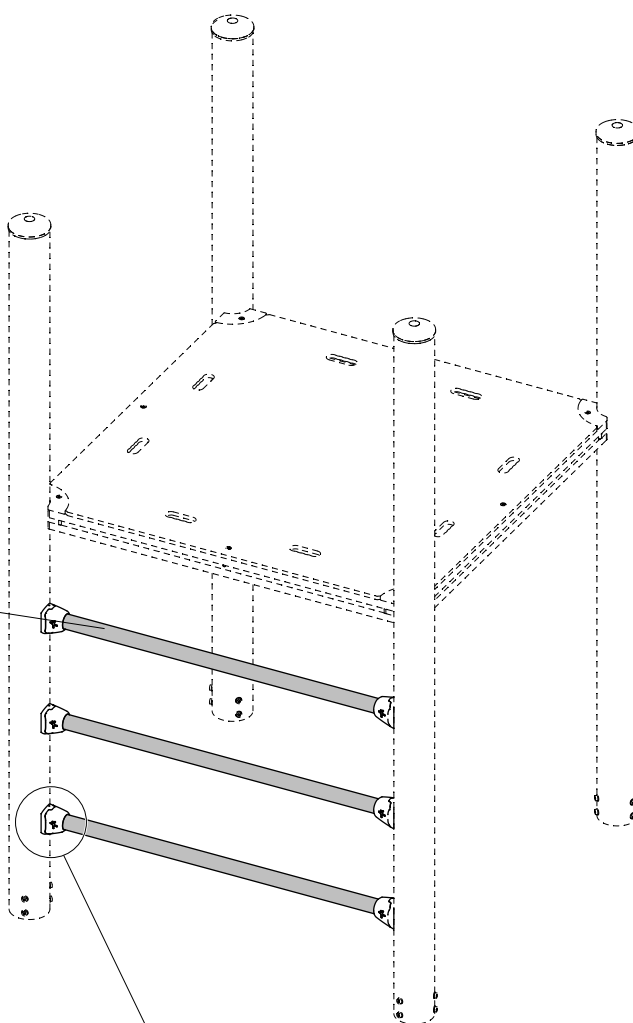
CP500812



- 3x A380089-51 - CP500812-05
- 3x A380089-181 - CP500812-08
- 3x A380687-112 - CP500812-12

6x

CP500912



- 3x A380071-51 - CP500912-05
- 3x A380688-112 - CP500912-12

6x

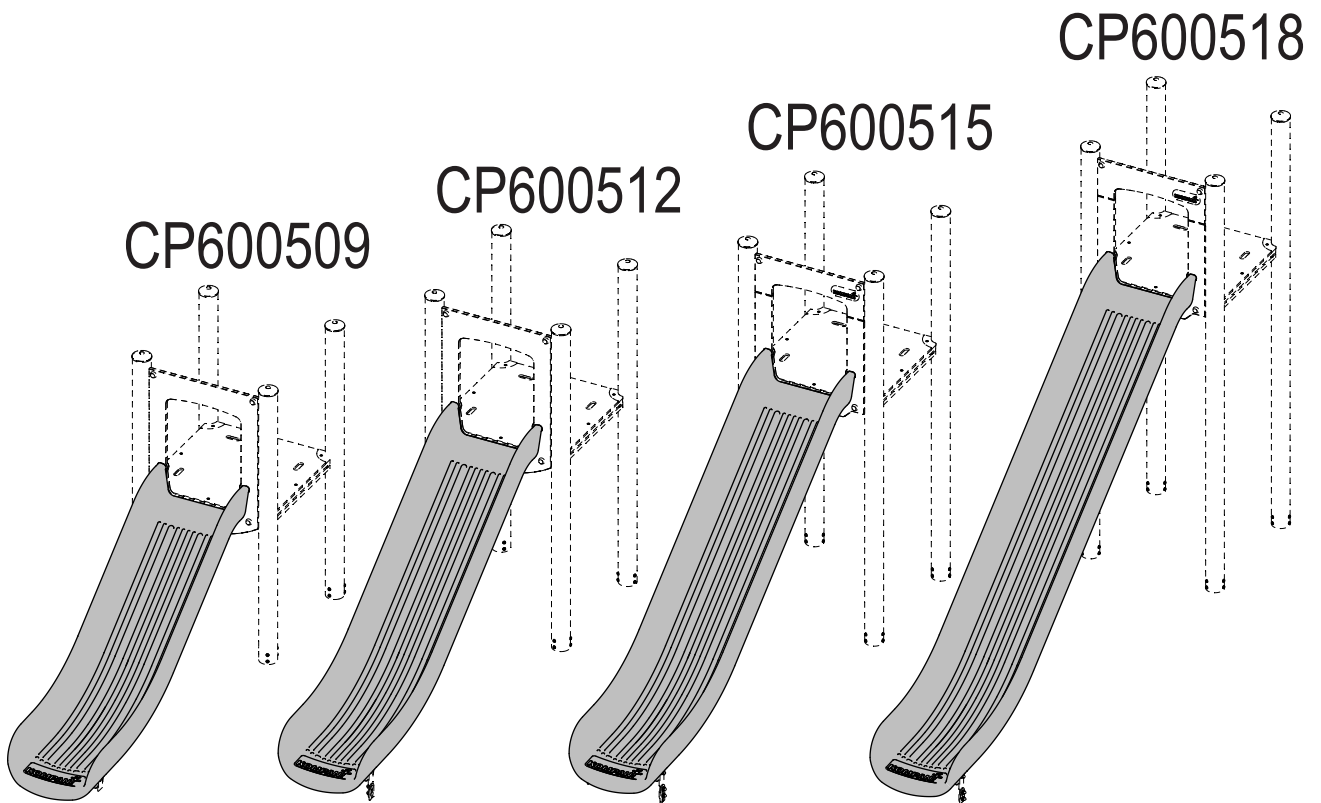
KOMPAN[®]

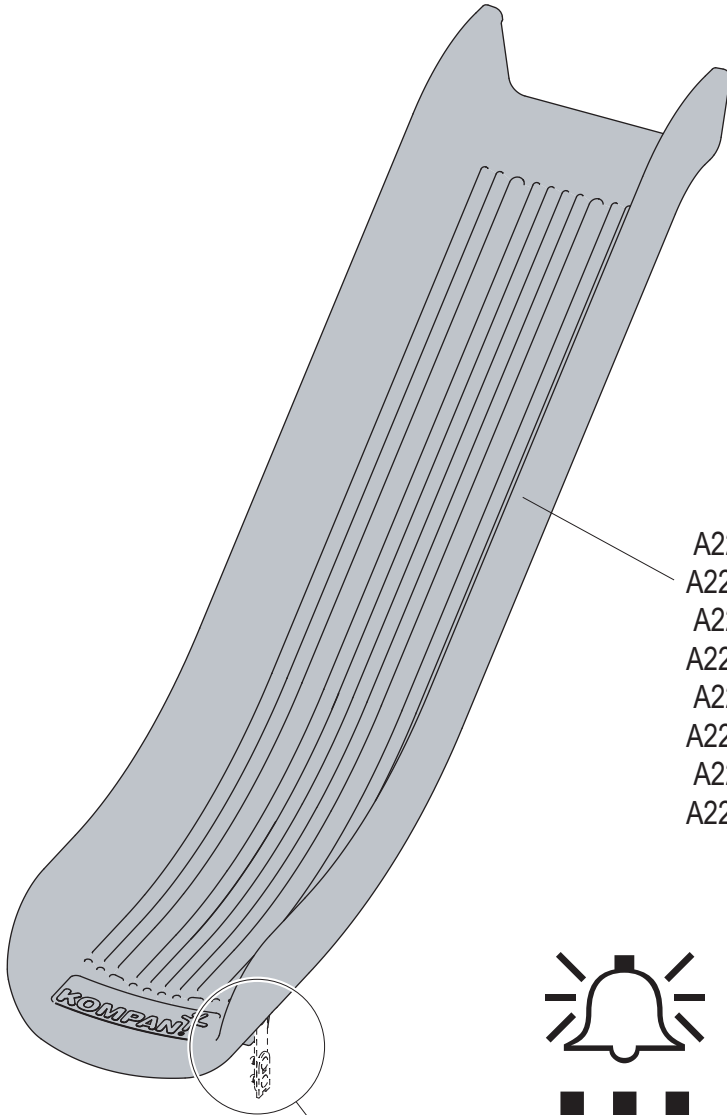
CP600509-03 CP600515-03

CP600509-08 CP600515-08

CP600512-03 CP600518-03

CP600512-08 CP600518-08





- A220020-12 - CP600509-03
- A220020-181 - CP600509-08
- A220021-12 - CP600512-03
- A220021-181 - CP600512-08
- A220022-12 - CP600515-03
- A220022-181 - CP600515-08
- A220023-12 - CP600518-03
- A220023-181 - CP600518-08

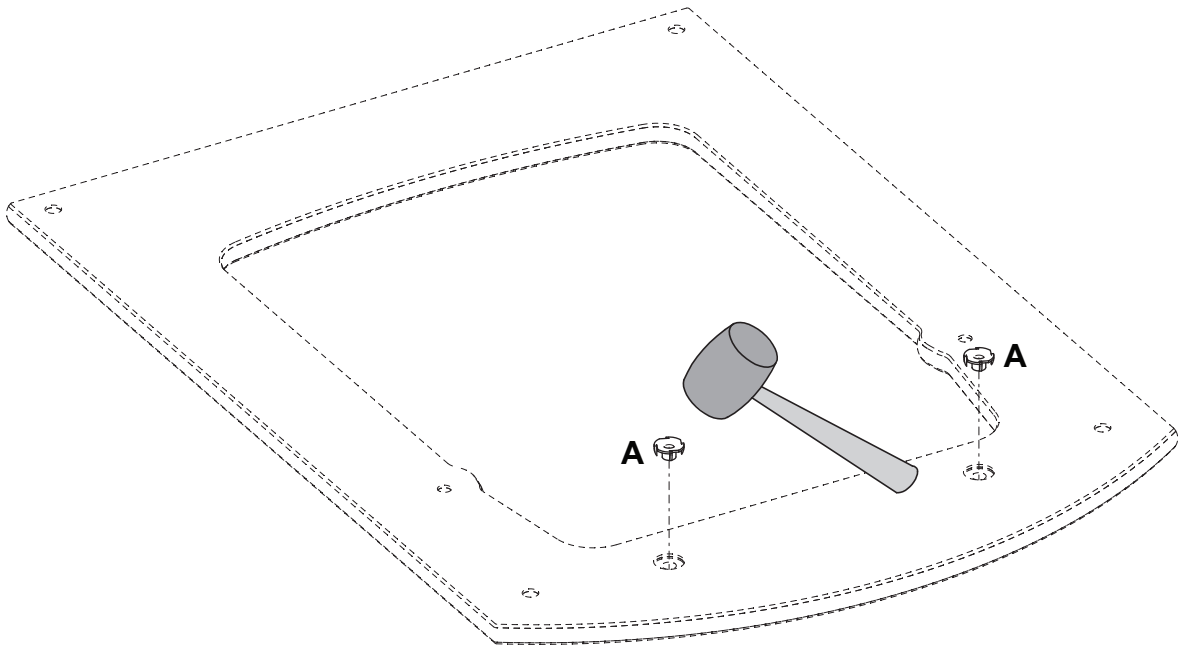


2x CP123100-05/CP123200-05

A

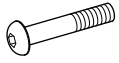


400212





A



601060

B

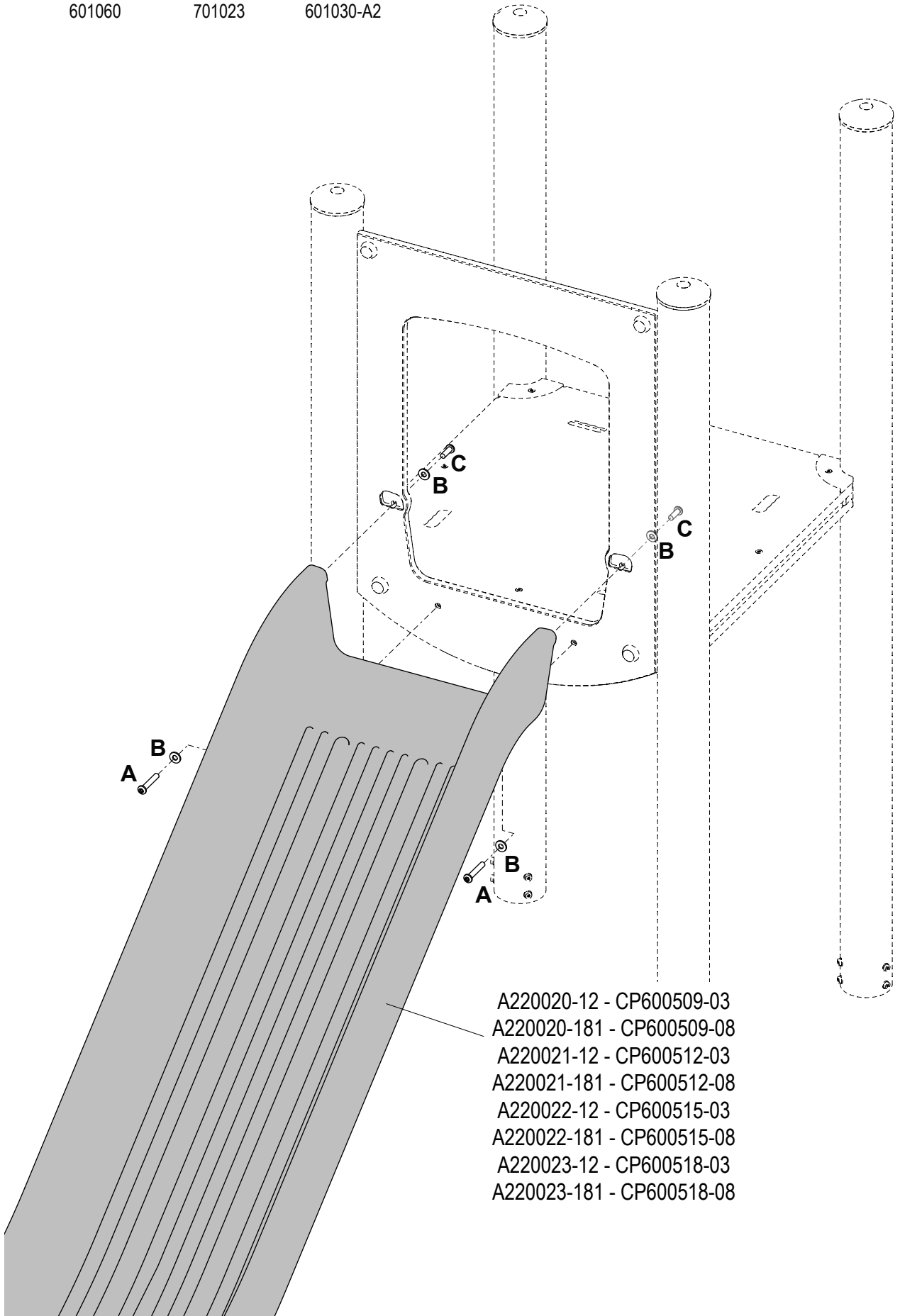


701023

C



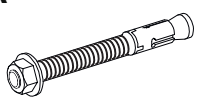
601030-A2



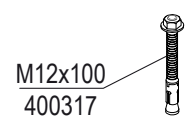
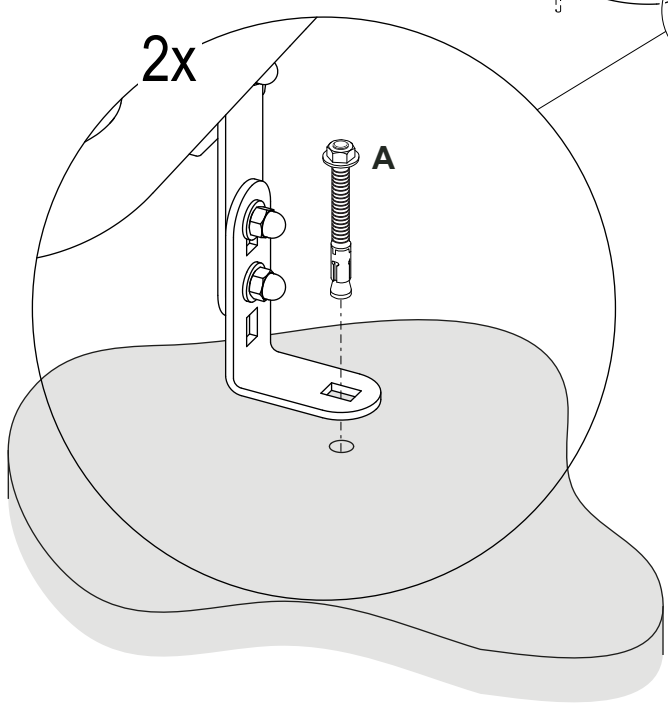
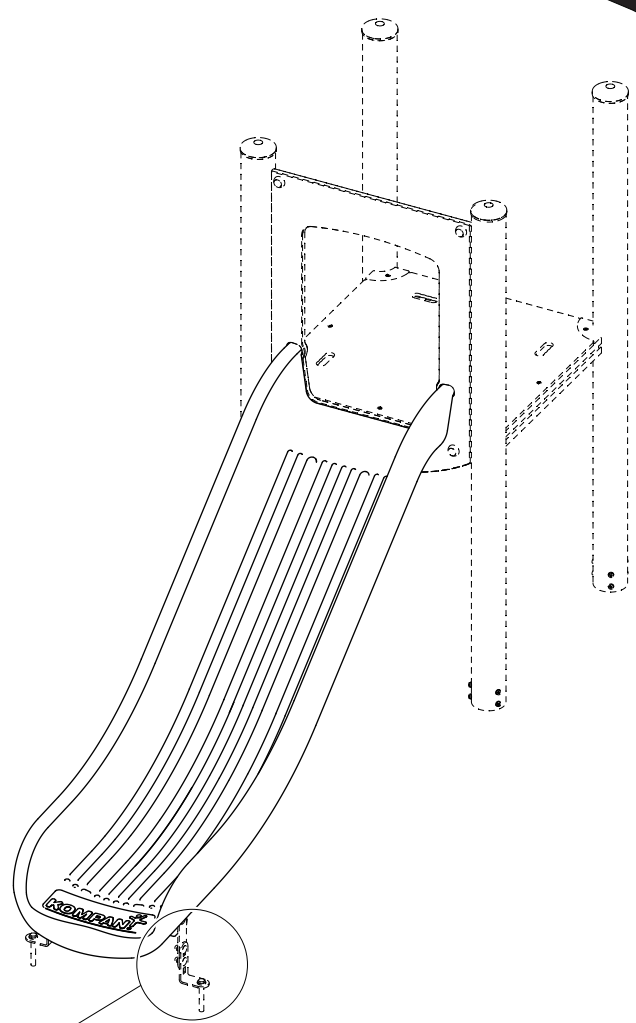
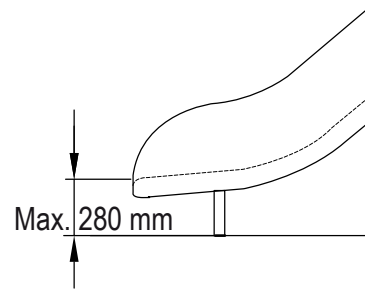
- A220020-12 - CP600509-03
- A220020-181 - CP600509-08
- A220021-12 - CP600512-03
- A220021-181 - CP600512-08
- A220022-12 - CP600515-03
- A220022-181 - CP600515-08
- A220023-12 - CP600518-03
- A220023-181 - CP600518-08



A

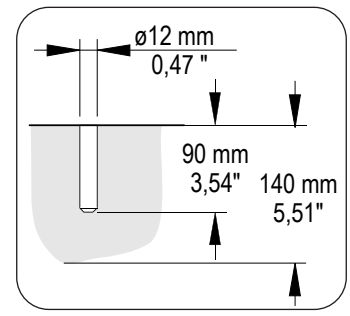


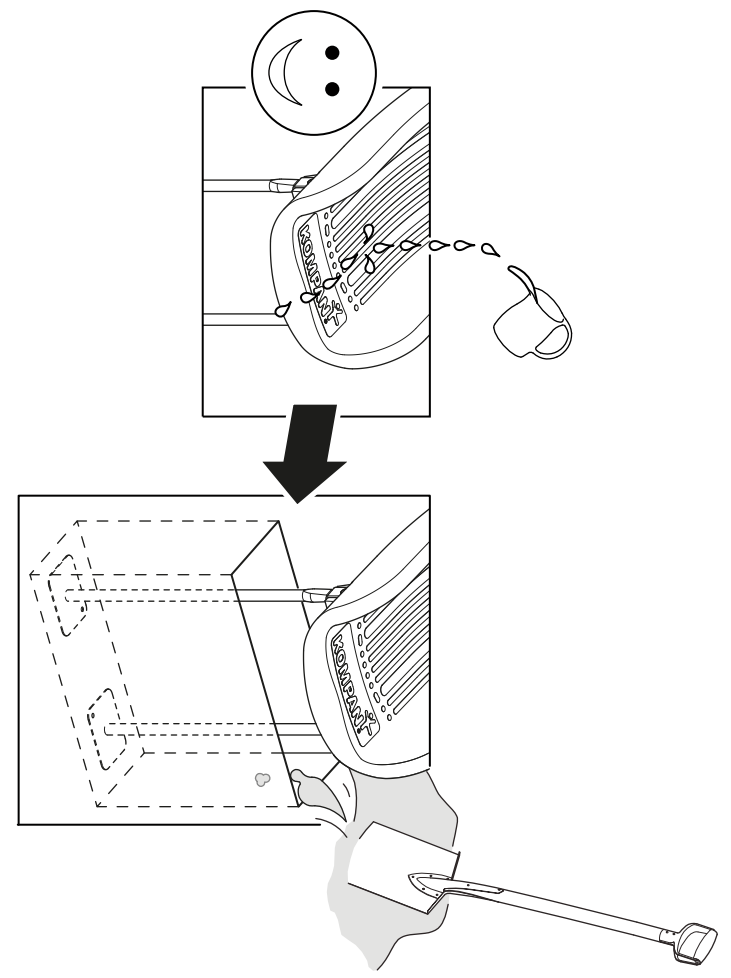
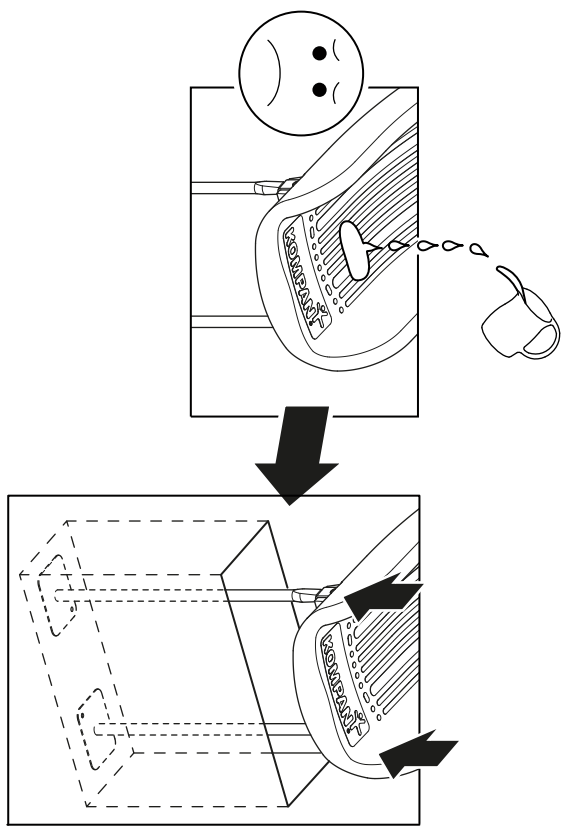
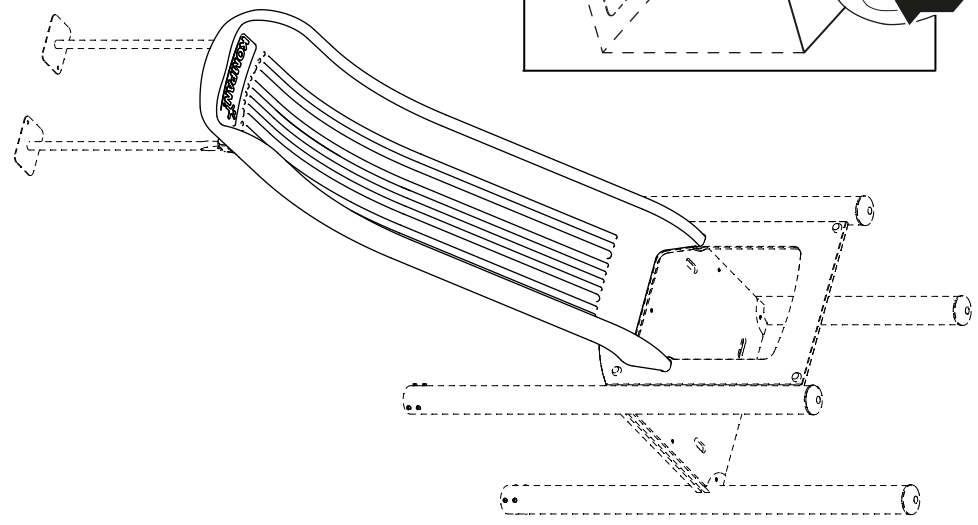
400317



M12x100
400317

400317 - 12 mm:





KOMPAN[®]
CP600315-09

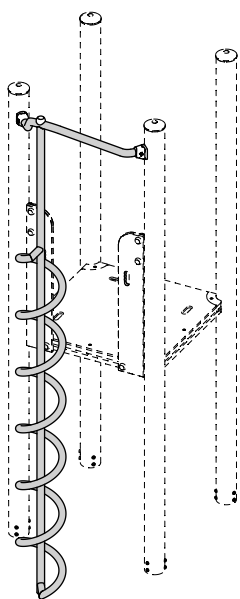
CP600412-09

CP600412-23

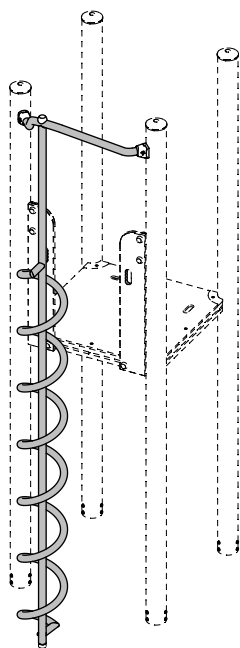
CP600415-09

CP600312-09

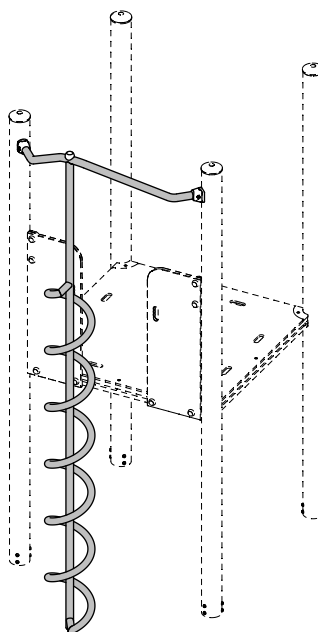
CP600312



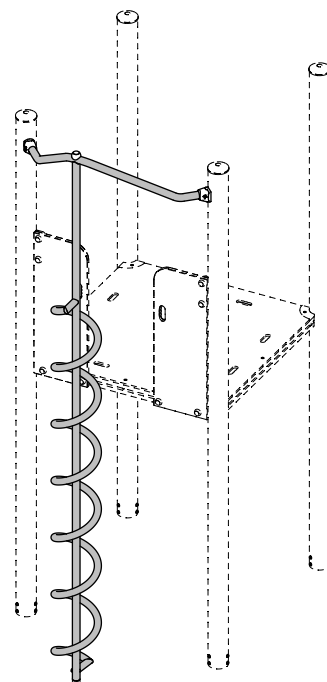
CP600315

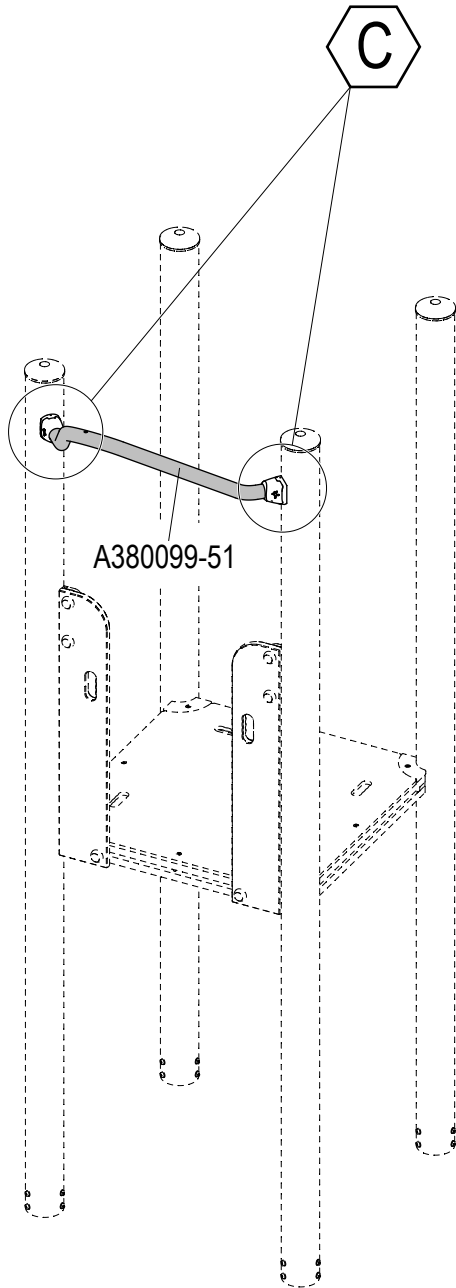


CP600412

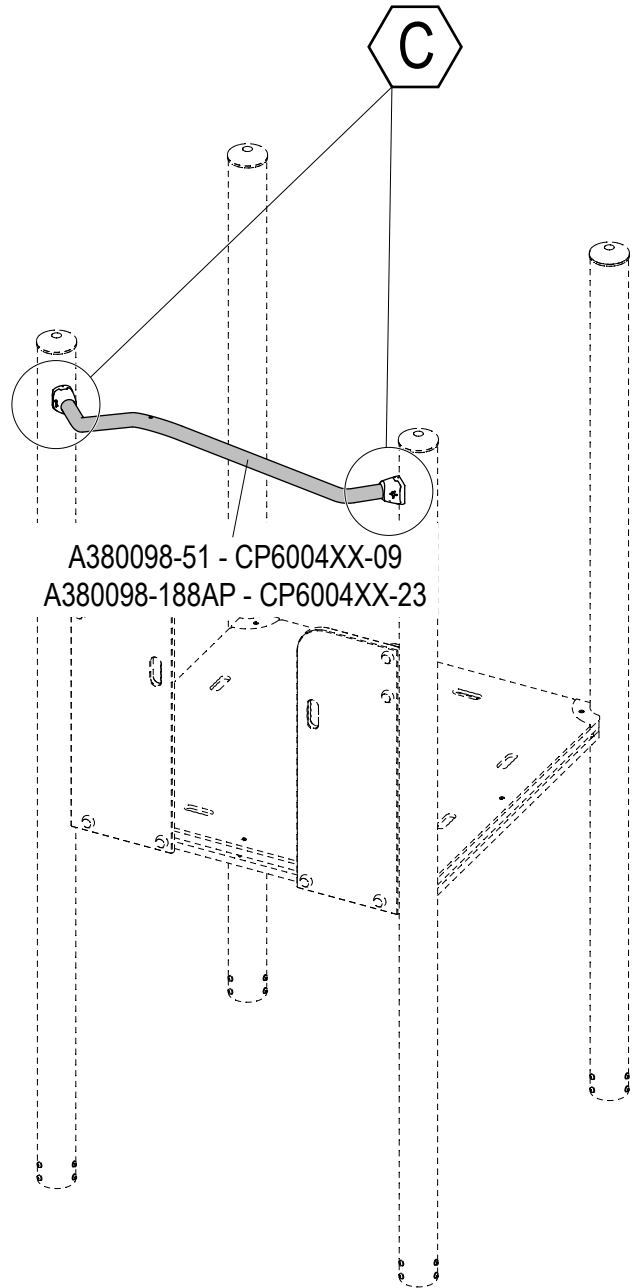


CP600415





CP6003XX-09



CP6004XX

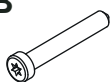


A



A10016-06

B



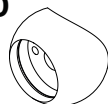
250100408070

C



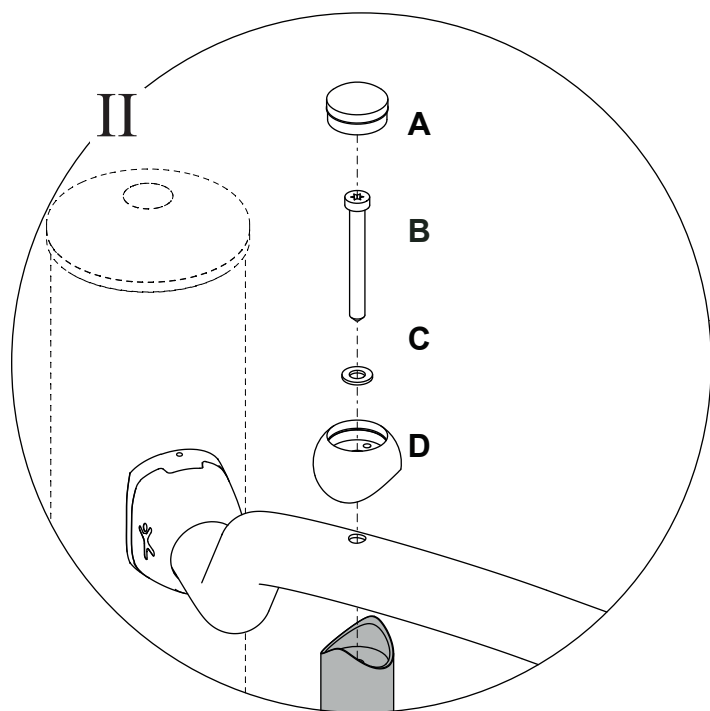
201301008016

D



A864003-06

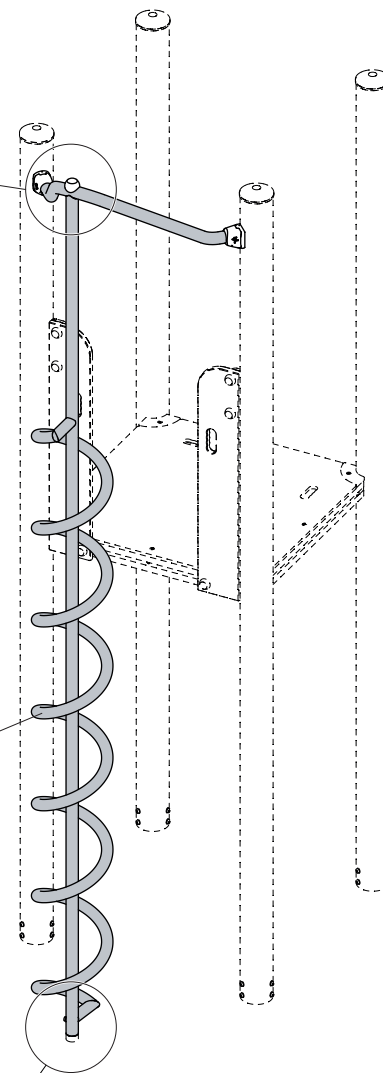
CP6003XX



A380156-52 - CP600312-09
A380290-52 - CP600315-09

I

CP122100-05/CP122200-05



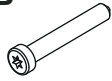


A



A10016-06

B



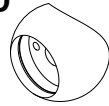
250100408070

C



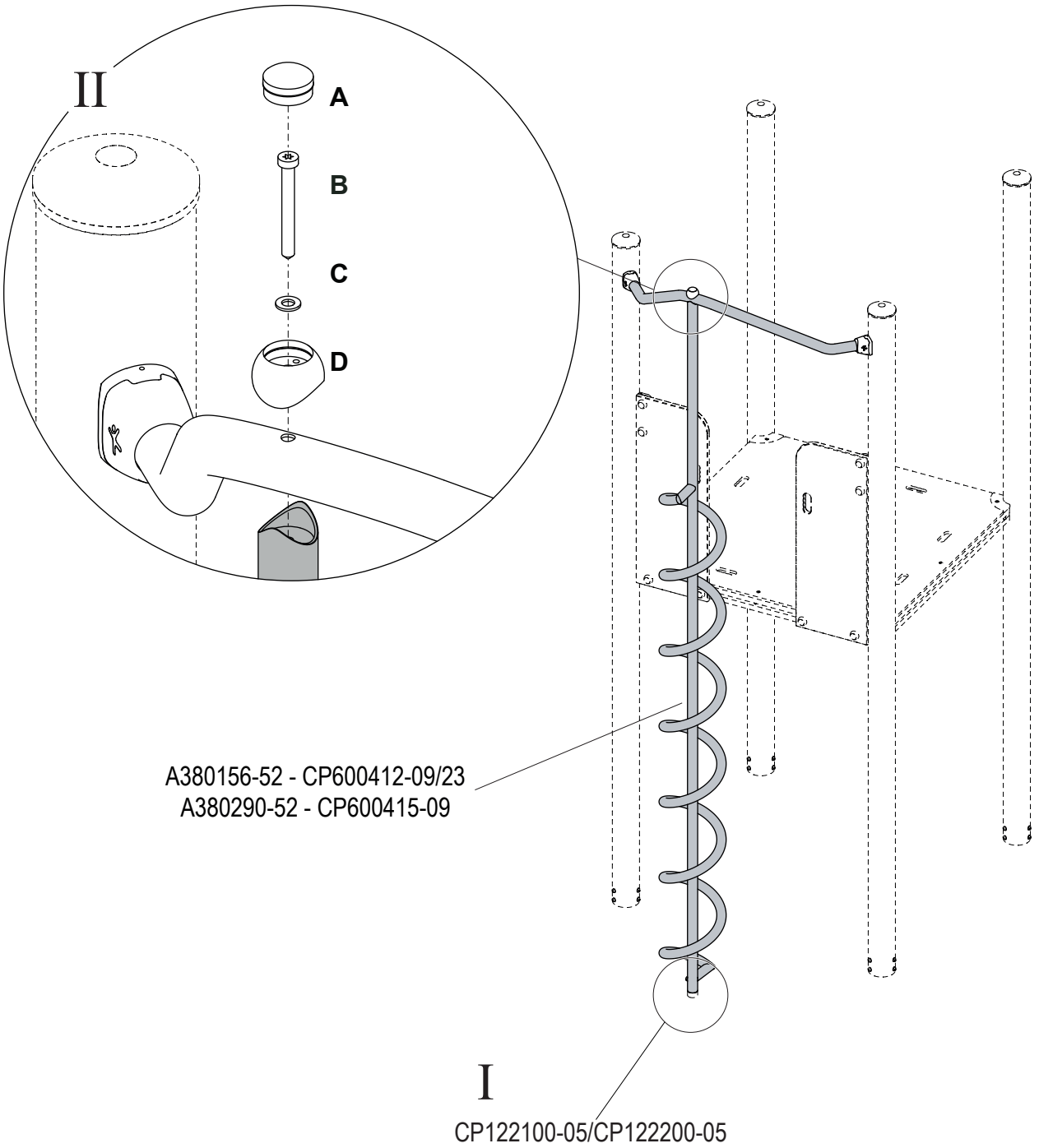
201301008016

D



A864003-06

CP6004XX



A380156-52 - CP600412-09/23
A380290-52 - CP600415-09

I
CP122100-05/CP122200-05

For USA / Canada only:

Installation Instruction for Warning Labels

NOTE: IF YOUR PLAYGROUND REQUIRES COMPLIANCE TO THE U.S. STANDARD ASTM 1487, INSTALLATION OF THE WARNING LABEL IS MANDATORY.

Install the Label on your play structure such that it is visible from a distance of 8 feet and apparent to anyone approaching the structure. Select a smooth surface. The surface must be clean and dry to insure reliable adhesion.

If a label becomes unreadable for any reason, contact us to receive a new one free of charge.

KOMPAN, Inc.
930 Broadway
Tacoma, WA 98501
Tel: (800)426-9788 Fax: (360)943-6254

Uniquement destiné aux Etats-Unis et au Canada:

Instructions de pose des étiquettes d'avertissement

NOTE: SI VOTRE AIRE DE JEUX DOIT ETRE EN CONFORMITE AVEC LA NORME AMERICAINE ASTM1487, L'INSTALLATION DE L'ETIQUETTE D'AVERTISSEMENT EST OBLIGATOIRE.

Placez l' étiquette sur l' équipement de jeux de manière à ce qu'elle soit visible à partir d'une distance de 8 pieds et apparente à quiconque s'approche de l'équipement. La surface doit être propre et sèche afin d'assurer une bonne adhésion.

Si pour une raison quelconque une étiquette devient illisible, prière de nous contacter afin de recevoir une nouvelle étiquette gratuitement.

KOMPAN, Inc.
930 Broadway
Tacoma, WA 98501
Tél: (800)426-9788 Fax: (360)943-6254

V00027 20060918 RikBon

Sólo para EE.UU. / Canadá:

Instrucciones de colocación de las etiquetas de advertencia

NOTA: SI SU ZONA DE RECREO TIENE QUE CUMPLIR LA NORMA ASTM1487 ESTADOUNIDENSE, ENTONCES ES OBLIGATORIO COLOCAR LA ETIQUETA DE ADVERTENCIA.

Coloque la etiqueta en la estructura de juego de modo que sea visible a 8 pies (unos 2,5 m) de distancia y que sea apreciable para cualquiera que se acerque a la estructura. Elija una superficie lisa. La superficie debe estar limpia y seca para garantizar que se pegue bien.

Si por cualquier motivo una etiqueta ya no fuera legible, contacte con nosotros y le enviaremos una nueva gratis.

KOMPAN, Inc.
930 Broadway
Tacoma, WA 98501
Tel.: (800)426-9788 Fax: (360)943-6254

For USA / Canada only:

Age appropriateness Label

To comply with the canadian standard for Playspaces and Equipment CAN/CSA Z614-03 it is required to install a label indicating the age group for which the product has been designed.

The label must be installed on your structure in a visible and readable space. The surface must be clean and dry to insure reliable adhesion.

In USA the use of label is voluntary.

Uniquement destiné aux Etats-Unis et au Canada:

Etiquette mentionnant l'âge approprié

Afin de respecter la norme canadienne en matière d'espaces et d'équipements de jeux CAN/CSA Z614-03, il est nécessaire d'installer une étiquette indiquant la catégorie d'âge pour laquelle le produit a été conçu.

L'étiquette doit être installée sur votre équipement à un endroit visible et lisible. La surface doit être propre et sèche afin d'assurer une bonne adhésion.

Aux Etats-Unis, l'utilisation de cette étiquette est facultative.

Sólo para EE.UU. / Canadá:

Etiqueta con las edades idóneas

Para cumplir con la norma canadiense sobre Equipos y Espacios de juego CAN/CSA Z614-03, hay que colocar una etiqueta que indique el grupo de edad para el que está diseñado el producto.

La etiqueta debe colocarse en la estructura en un sitio visible y legible. La superficie debe estar limpia y seca para garantizar que se pique bien.

En EE.UU el uso de esta etiqueta es voluntario.

Installation of the KOMPAN CORE PLATFORM system

These instructions describe installation of KOMPAN CORE PLATFORM system.

NB! Read these instructions before commencing installation and do not unpack all packages straight away.

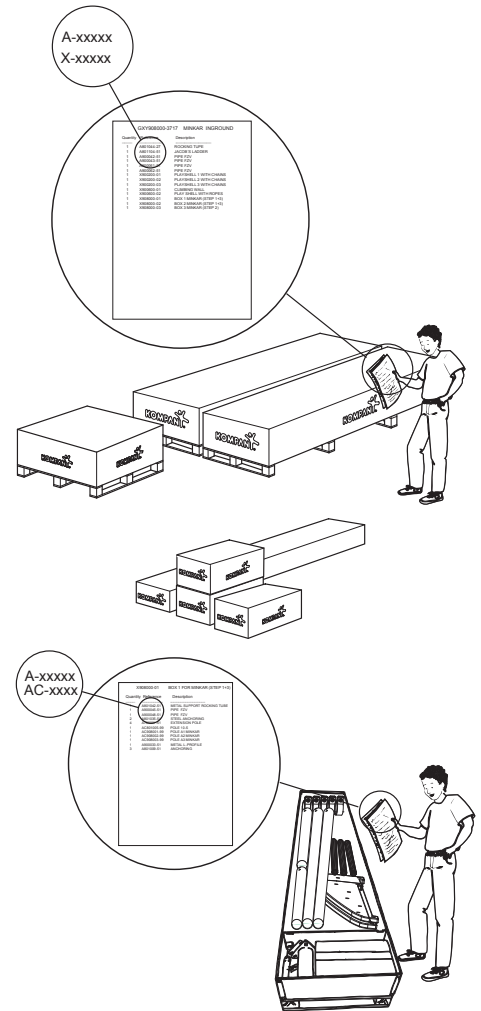
In addition to these general instructions you will find following documentation:

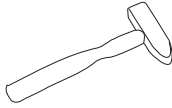
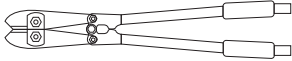


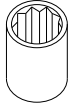

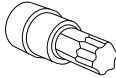
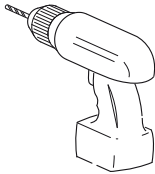
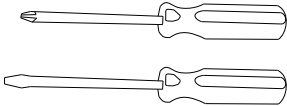

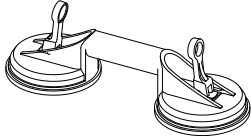

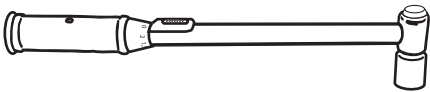
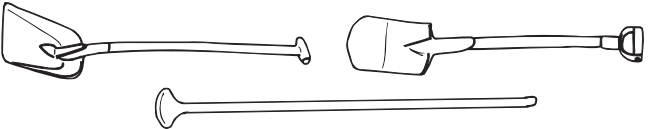
- List of packages, which is a complete list of all the packages to be used in the installation.
- Product guide, containing drawings of assembled product
- Installation instructions

All the packages are furnished with labels carrying reference numbers.

Use the list of packages to check that all the packages are present before starting installation.

Then check the contents of each box using the list of contents, which you will find inside the top of the box.



Tool	Size	
<i>Hammer</i>		
<i>Bolt cutter</i>		
<i>Spirit level</i>		
<i>Ratchet spanner</i>		
<i>Socket wrench set</i>	13 mm 16 mm 17 mm 19 mm	
<i>Hexagon key set</i>	6 mm	
<i>Torx bit</i>	Tx40	
<i>Drill set + drilling machine</i>	Ø10mm Ø14mm	
<i>Screwdriver</i>		
<i>Measuring tape</i>		
<i>Suction cup</i>		
<i>String</i>		
<i>Torque wrench</i>	8 Nm	
<i>Shovel + Spade + Tamper</i>		

1 - How to get started.

Start by locating the footings and check that the necessary space, including the safety zone, is available.

Safety zone plan is present in the Product Guide. (1)

2 - Measurement

Place two tape measures in a cross in the area where the system is to be installed. (2)

Use the plan drawing in the Product Guide (3) to locate the point where the two tape measures have to cross. In the drawing the point is indicated where line X and line Y cross. Make sure that the two tape measures are perpendicular.

Measure out the center points indicated for the foundations for the entire system. Mark these points with pegs, screwdrivers or similar. (4) Then check that the safety zone around the entire system has been complied with.

The safety zone is indicated by a dotted line around the system on the plan drawing.

The plan drawing shows a hatched area with a number (1, 2, 3, 4, 5, 6, etc.) at each of the marked center points. The hatched area indicates the size of the foundation plate.

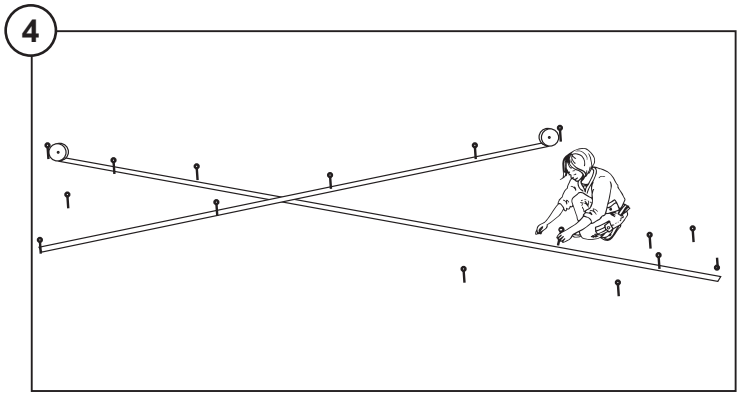
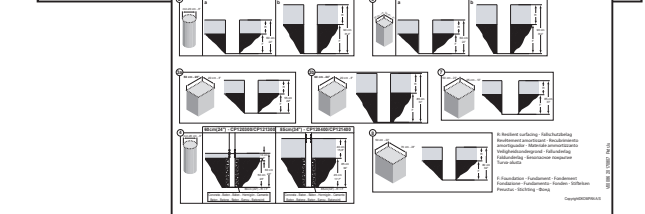
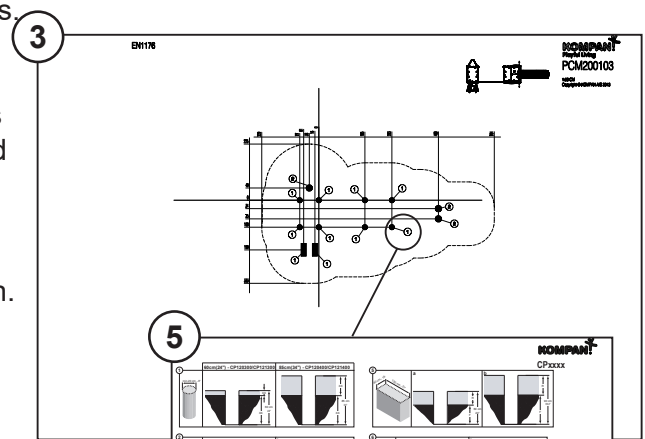
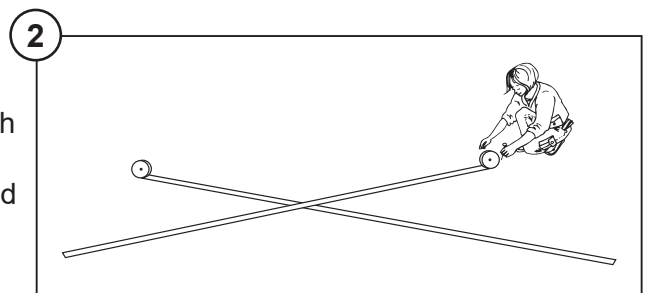
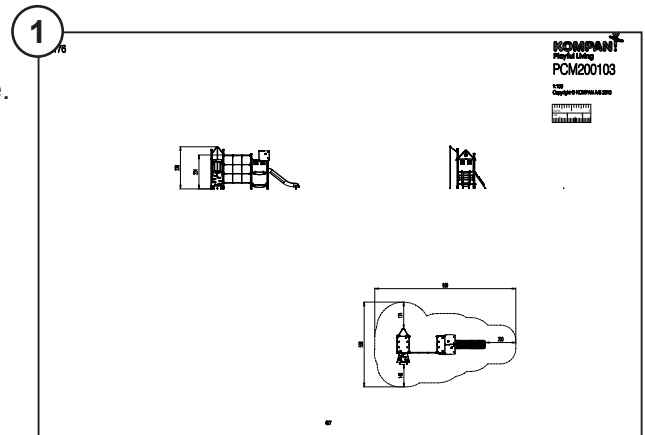
Each hatched area is numbered, and the number refers to a drawing showing the size and depth of the hole and the amount of concrete to be used.

The drawings are on the last page in the Product Guide. If mechanical digging is used, it is a good idea to combine several foundation holes in a single excavation. Make sure that the ends of line X and line Y have been marked before removing the tape measures to allow digging. It is important to be able to check and make sure that the system is positioned correctly throughout installation.

3 - Footing holes for in-ground installation

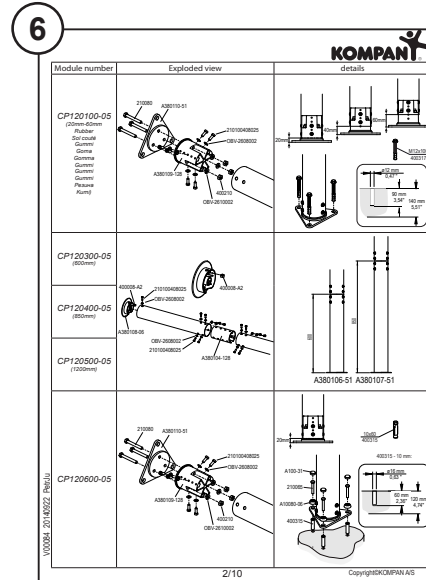
Dig holes for posts, see digging plan (5), indicating which activities require concrete.

Please note. Do not fill the holes until assembly is complete and the entire structure is plumb and level.



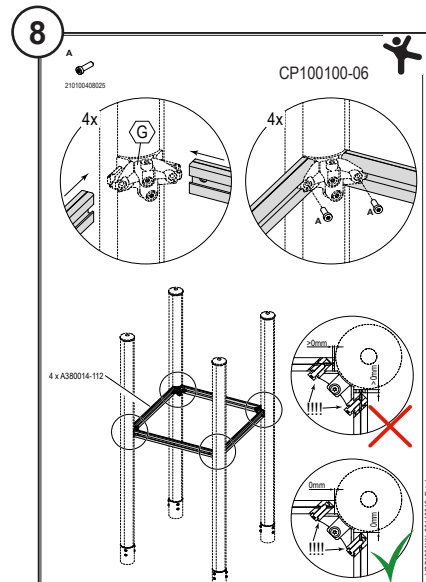
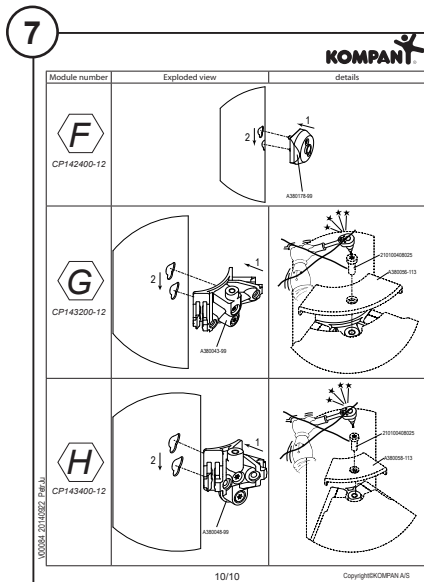
4 - Posts

Install footings on posts according installation instructions (6) and place post in correct hole.



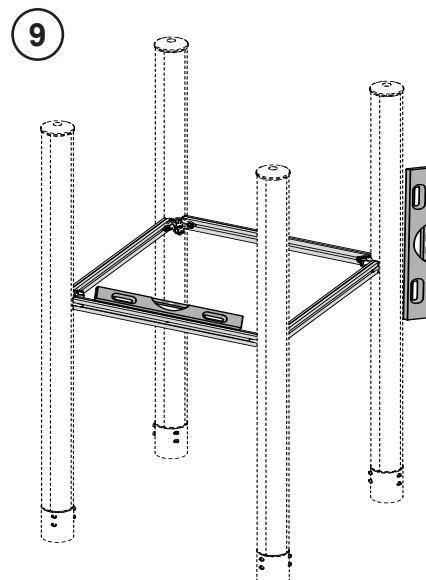
5 - Floor connectors

Install floor connectors to post (7) and assemble floor frame according installation instructions (8)



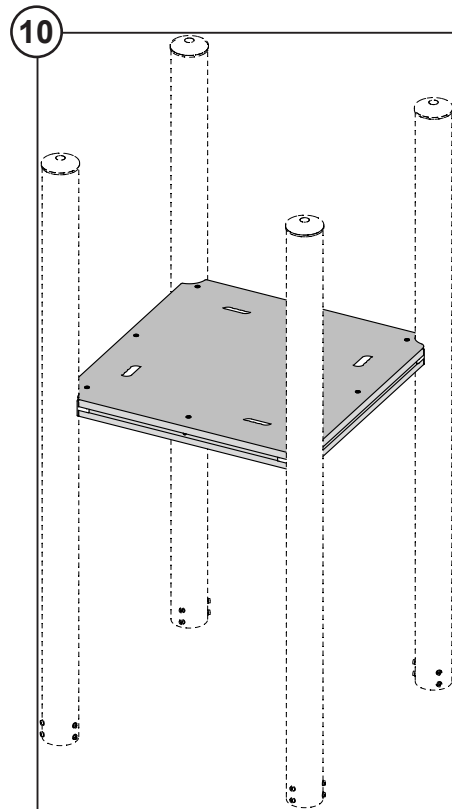
6 - Level structure

Level out structure both vertical and horizontal (9)

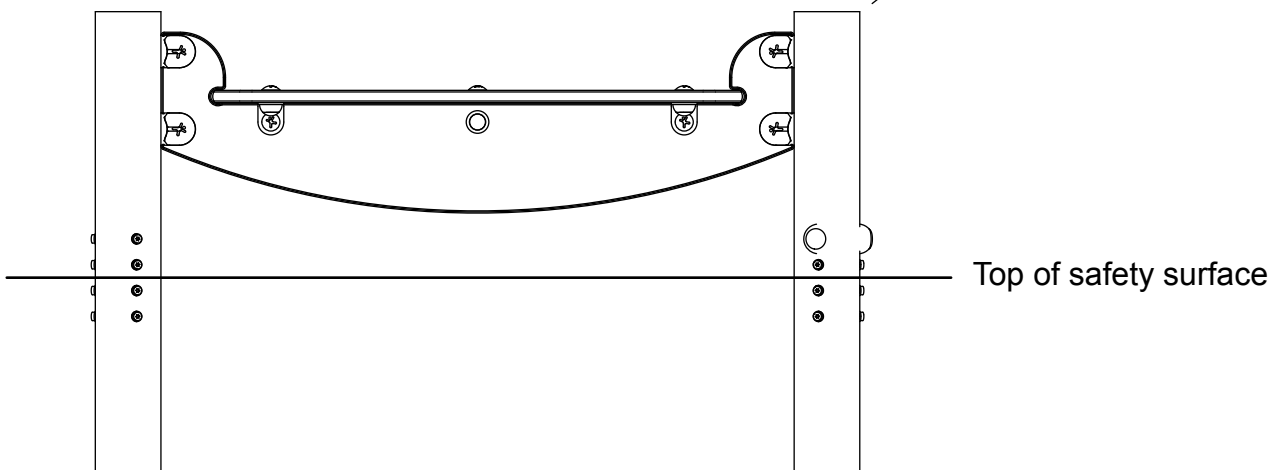
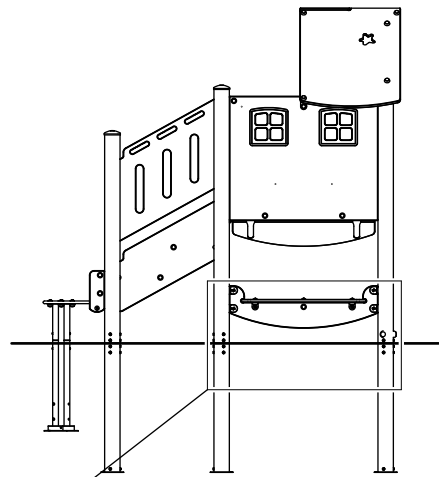


7 - Complete installation of the floor

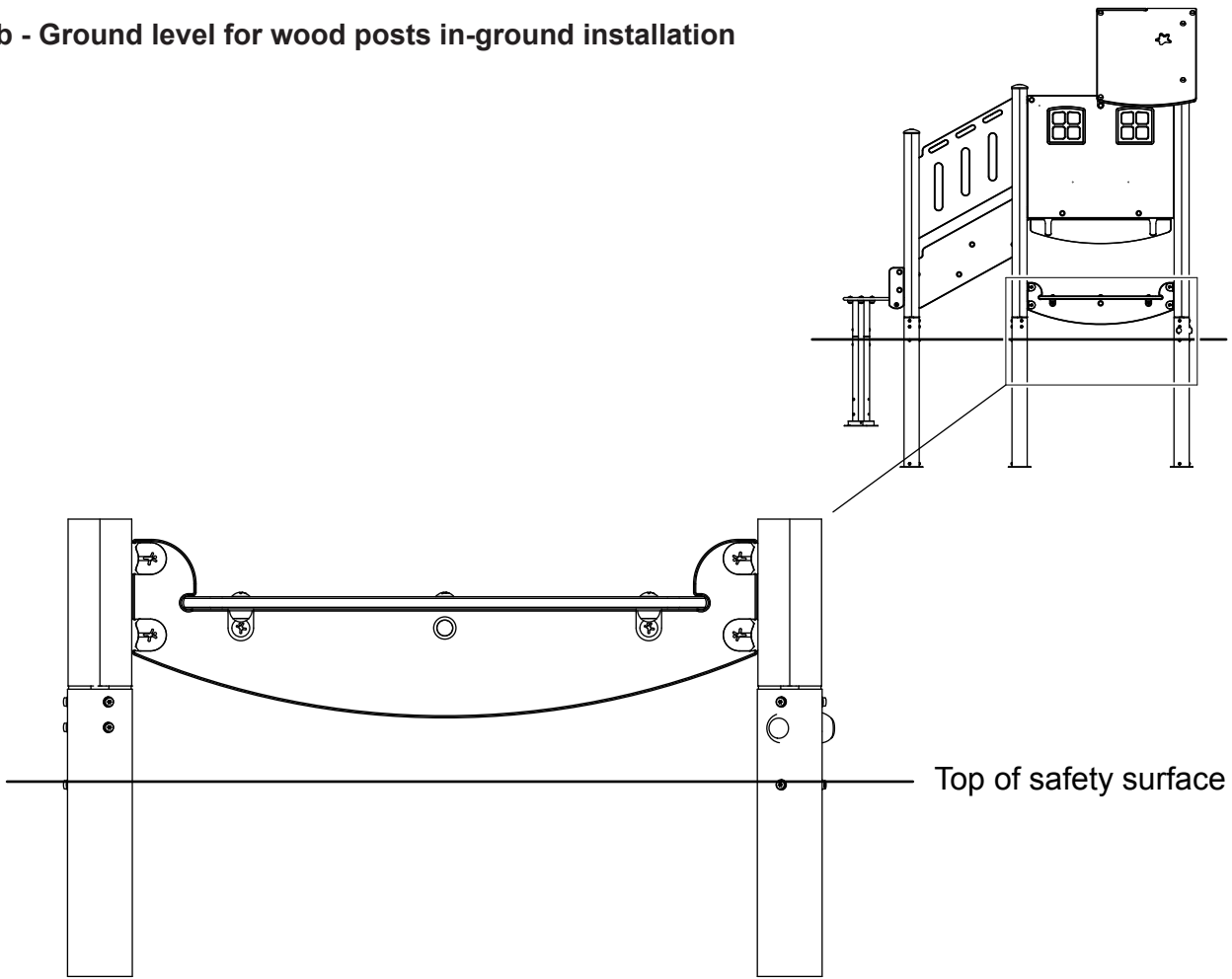
Continue in assembly of the floor according installation instructions.(10)



7a - Ground level for steel posts in-ground installation

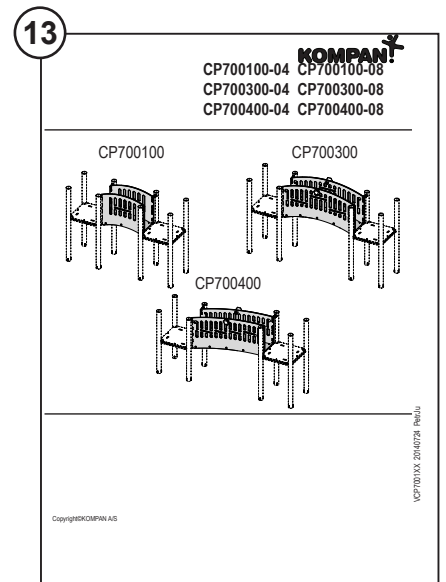
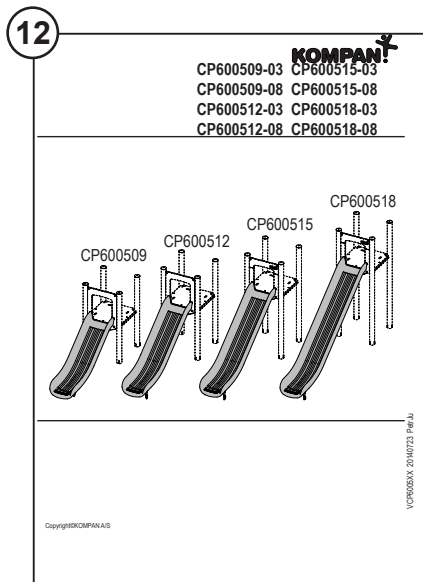
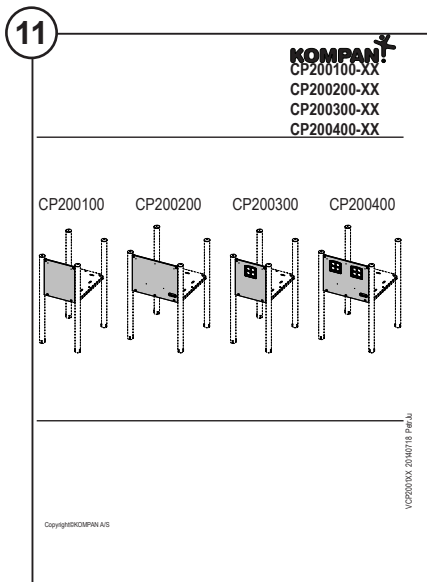


7b - Ground level for wood posts in-ground installation



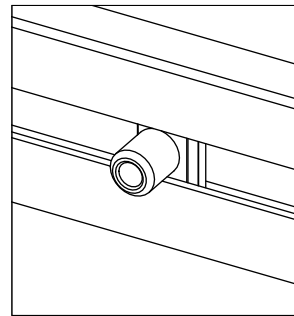
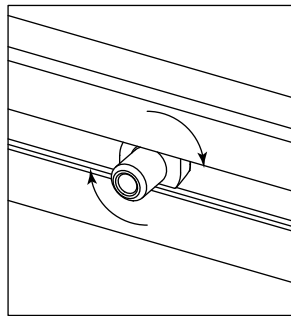
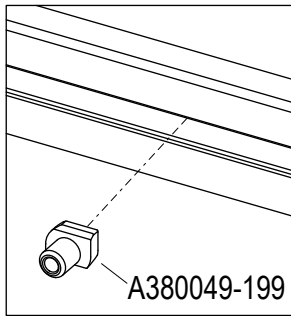
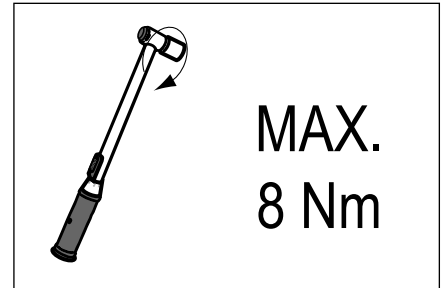
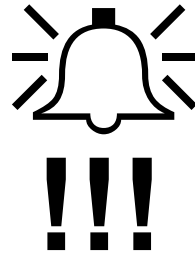
8 - Module assembly

Install each module according module installation instruction. Follow installation instructions page by page. (11,12,13,...)

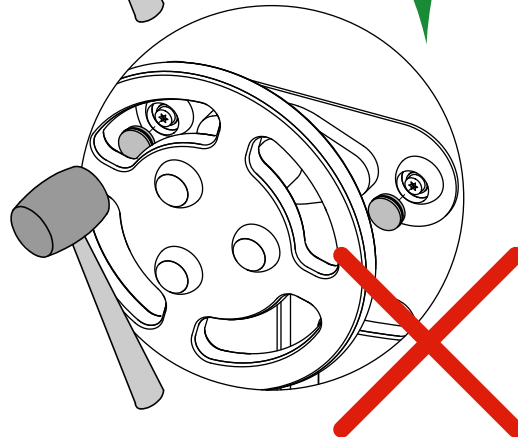
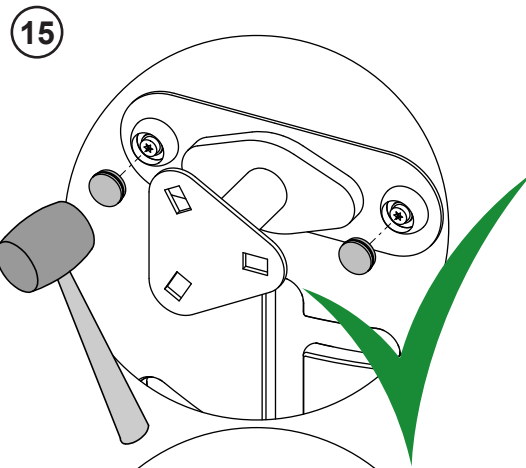
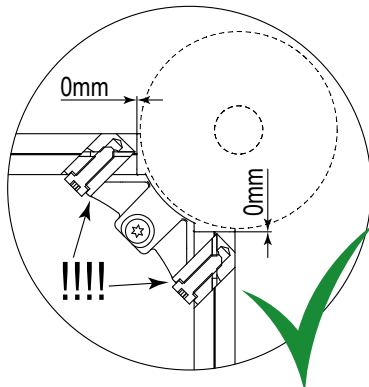
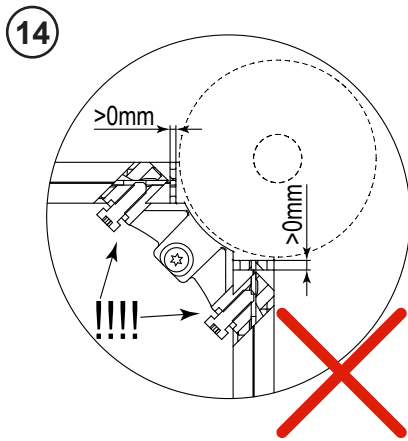


8a - Important details

For connection with T-Nut A380049-199 use max torque **8Nm!!!**



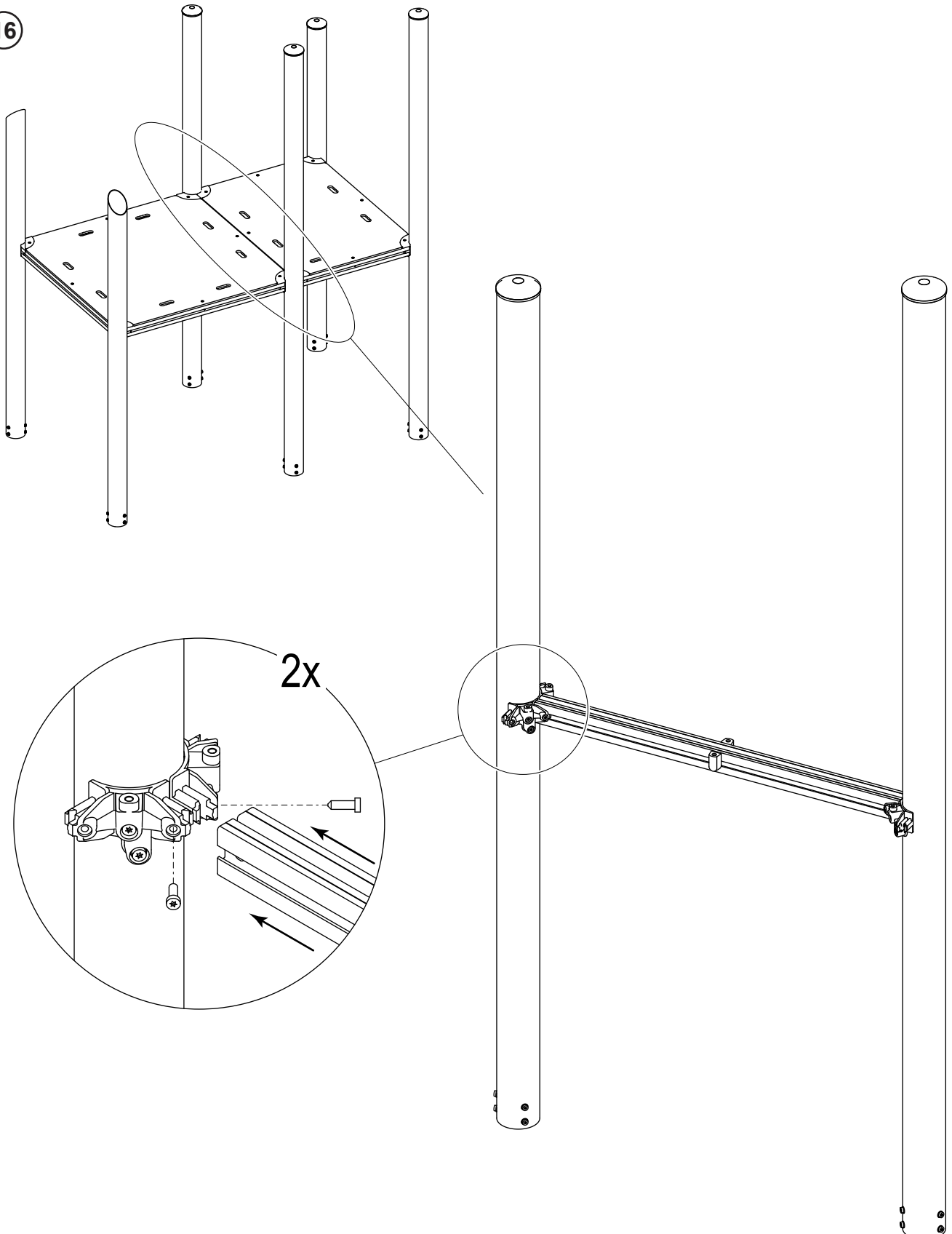
Pay special attention to details showing right and wrong installation. (14, 15,...)



8b - Floor to floor installation

When two towers are connected, make sure to assemble middle posts with two profiles first. Then continue with rest of installation according installation instructions. (16)

16

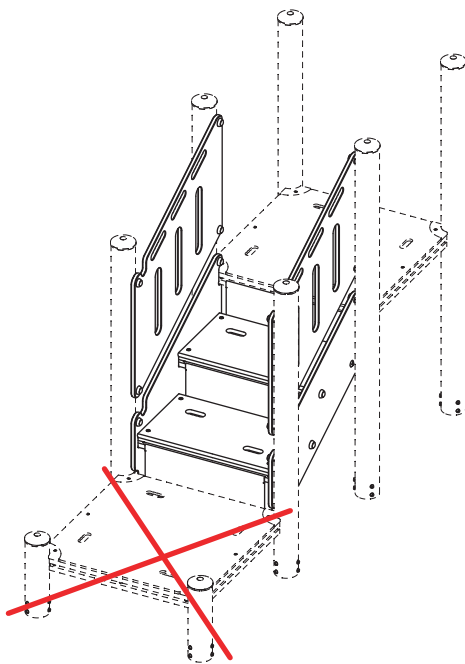


8c - Installation of stairs (CP500300&CP500400)

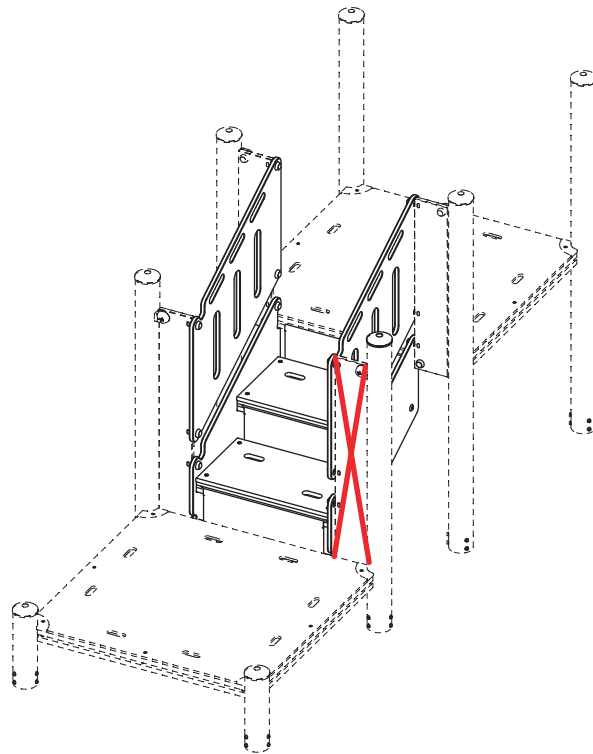
For successful and easy installation of stairs (CP500300 and CP500400) is crucial to follow installation instruction page by page. Lower platform can't be assembled before installation of stairs on small tower.(17)

For easy installation of stairs on big tower, it is necessary to install only one panel of CP402200. The other panel will be mounted during installation of stair module. (18)

17



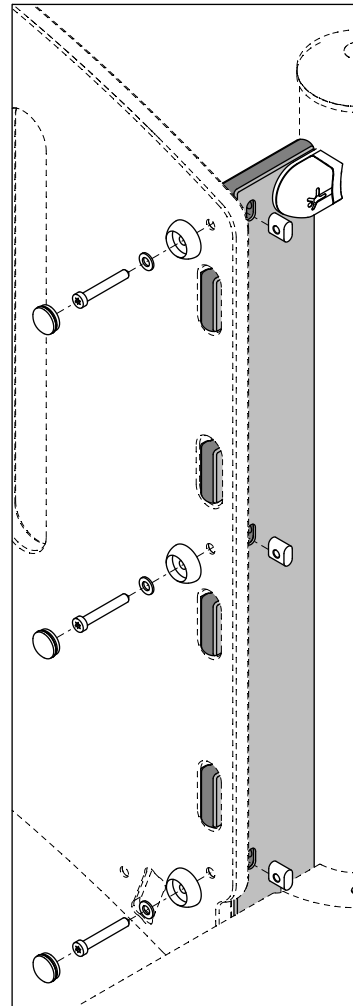
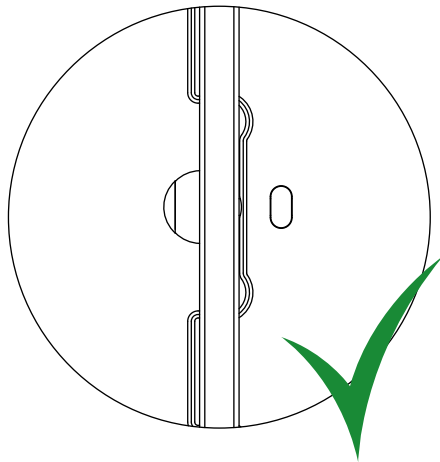
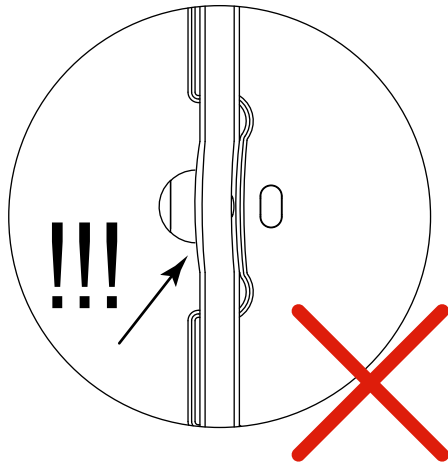
18



8d - Important details

Make sure that there is no panel deformation when tightening connection with A400334!!! (19)

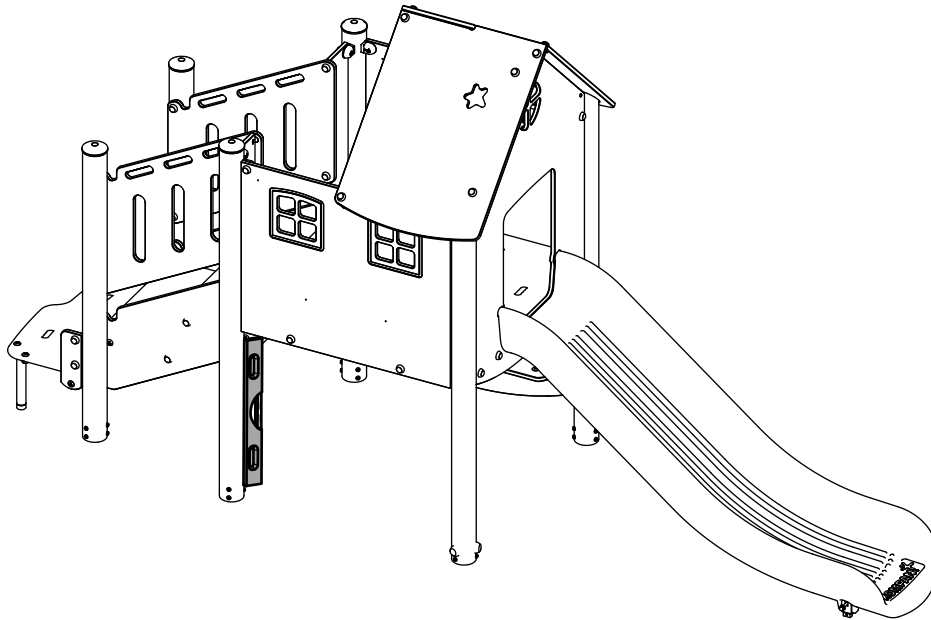
19



9 - Check level structure again

When all modules are installed, check that floor and posts are still in level. (20)

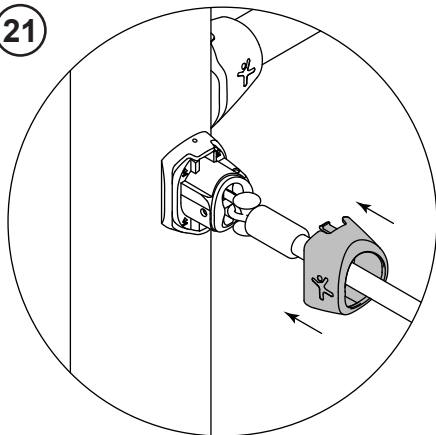
20



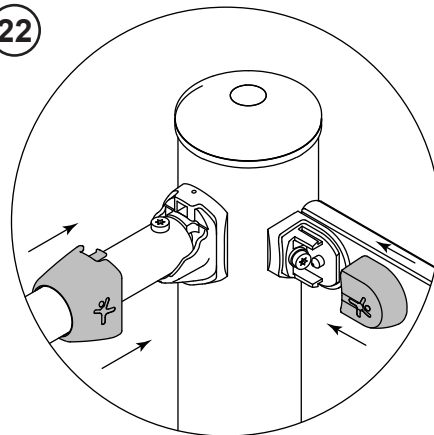
10 - Install all covers and Do-nut tops.

Install all covers and Do-nut tops. (21,22,23) Do not forget to remove all labels from panels, steel parts, posts.... (24)

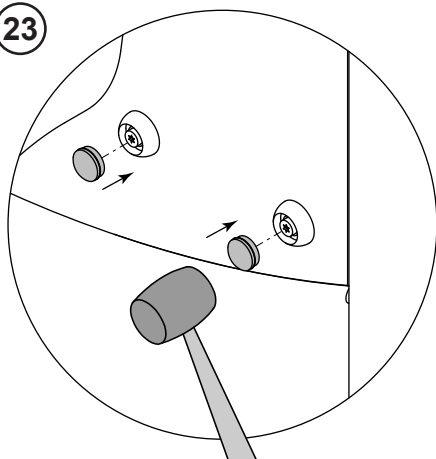
21



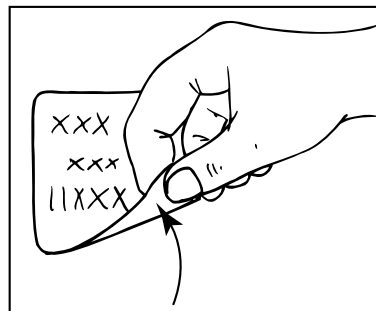
22

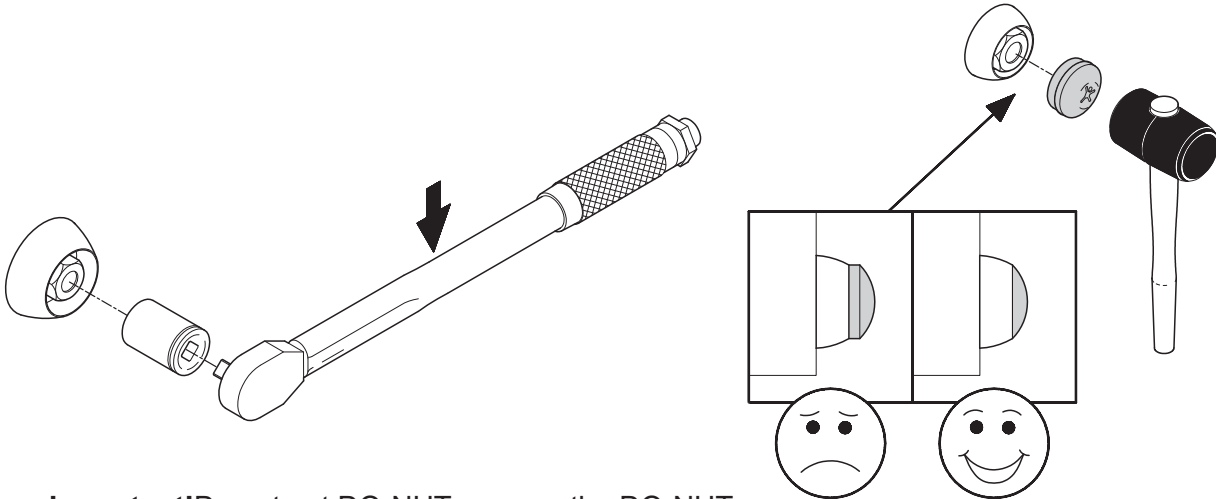


23

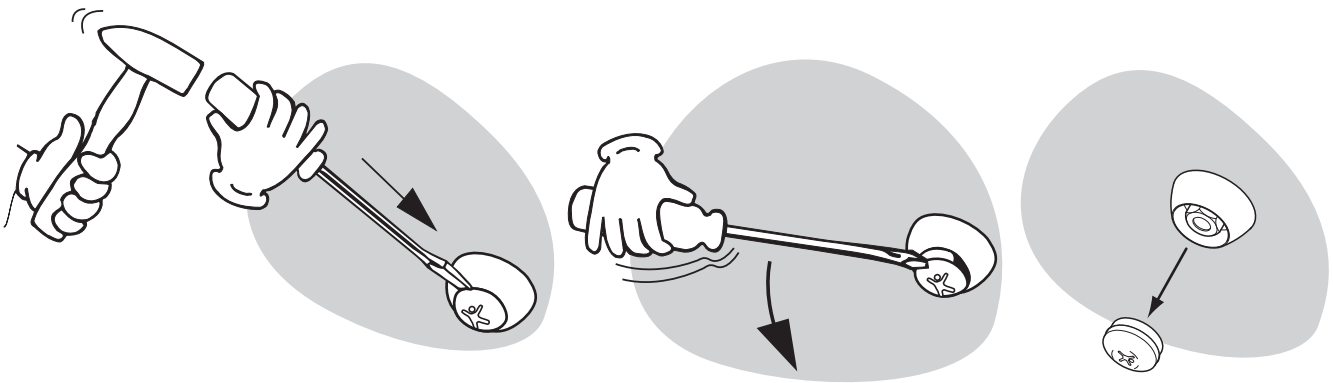


24





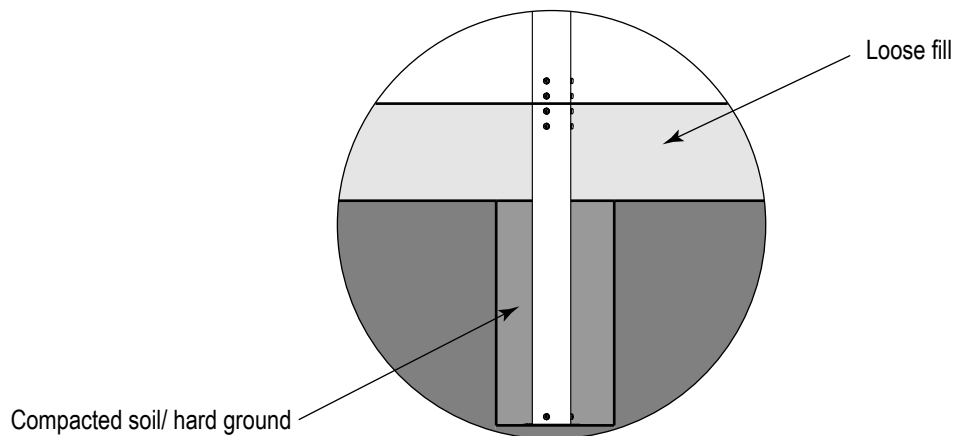
Important! Do not put DO-NUT caps on the DO-NUTs until the KOMPAN Product is completely assembled and all bolts are tightened.



11 - Safety surface

Fill up safety zone area with surfacing material up until surface level marking on footing. (25)

25



Montage der KOMPAN Kombinationsanlagen (PCM)

In dieser Anleitung wird die Montage der KOMPAN KOMBINATIONSANLAGEN (PCM) beschrieben.

Hinweis: Lesen Sie die Anleitung vor Beginn der Montage und packen sie nicht sofort sämtliche Pakete aus.

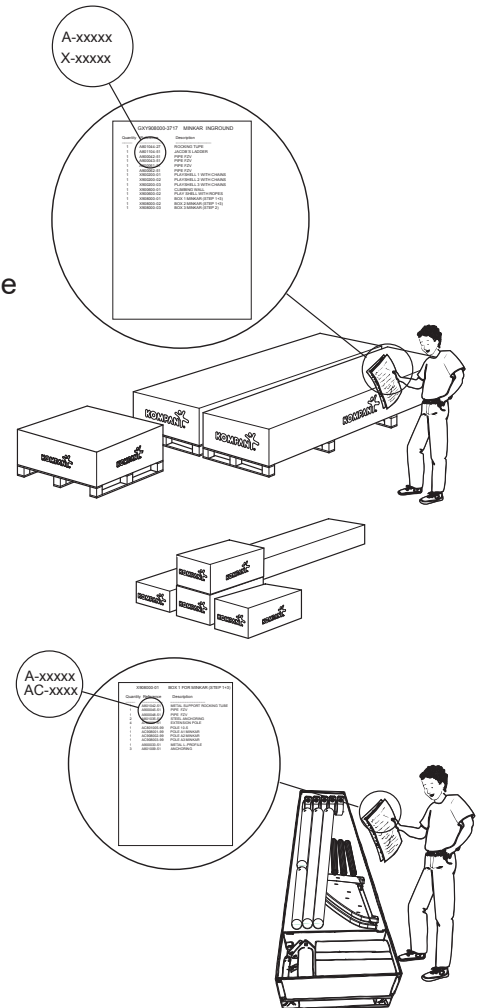
Neben dieser allgemeinen Anleitung stehen folgende Unterlagen zur Verfügung:

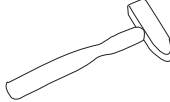
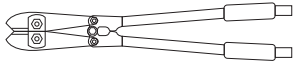


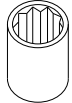
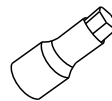
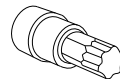
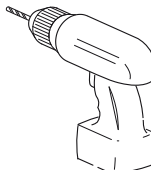
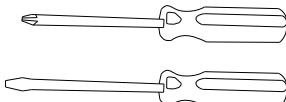

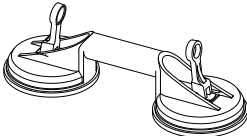

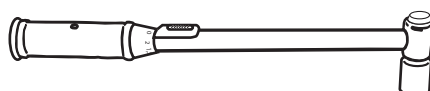
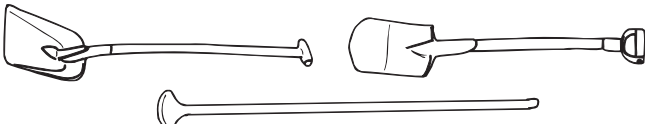
- Packliste mit vollständiger Auflistung sämtlicher Pakete, die für diese Montage erforderlich sind.
- Produktanleitung mit Zeichnungen des aufgebauten Produkts
- Montageanleitungen

Sämtliche Pakete sind mit Aufklebern versehen, die Referenznummern enthalten.

Prüfen Sie vor Beginn der Montage anhand der Packliste, ob sämtliche Pakete vorhanden sind.

Prüfen Sie anschließend den Inhalt der Pakete mithilfe der Inhaltsliste, die als erstes im Paket liegt.

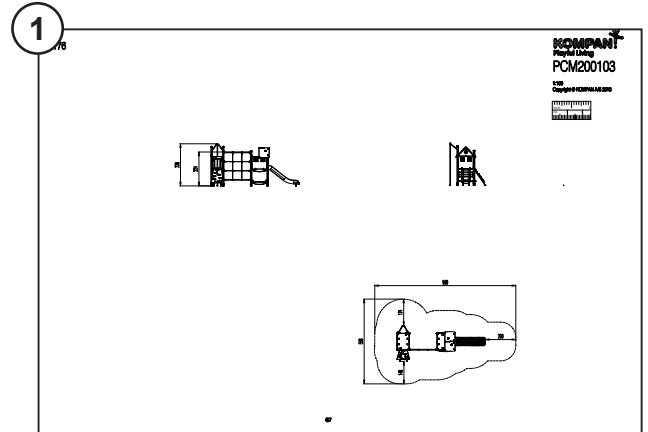


Werkzeug	Größe	
Hammer		
Bolzenschneider		
Wasserwaage		
Ratschenschlüssel		
Steckschlüsselsatz	13 mm 16 mm 17 mm 19 mm	
Satz Sechskantschlüssel	6 mm	
Torx-Bit	Tx40	
Satz Bohrer + Bohrmaschine	Ø10mm Ø14mm	
Schraubendreher		
Maßband		
Saugheber für Scheiben		
Schnur		
Drehmomentschlüssel	8 Nm	
Schaufel + Spaten + Stampfstange		

1 - Wie fängt man an?

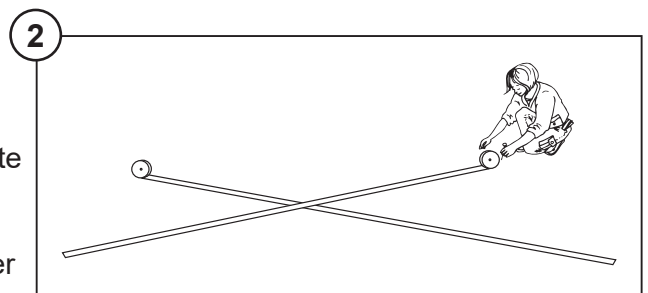
Platzieren Sie zuerst die FüÙe und prüfen Sie, ob der erforderliche Platz einschließlich Sicherheitsbereich verfügbar ist.

Der Plan für den Sicherheitsbereich ist in der Produkthanleitung enthalten. (1)



2 - Ausmessungen

Platzieren Sie zwei Maßbänder über Kreuz in dem Bereich, in dem die Anlage montiert werden soll. (2)
Verwenden Sie den Plan in der Produkthanleitung (3), um den Punkt zu bestimmen, an dem sich die beiden Maßbänder kreuzen sollen. In der Zeichnung ist der Punkt dort zu erkennen, wo sich die Linien X und Y treffen. Stellen Sie sicher, dass die beiden Maßbänder rechtwinklig zueinander platziert werden.



Messen Sie die Mittelpunkte aus, die für die Fundamente der gesamten Anlage angegeben sind. Markieren Sie diese Punkte mit Stiften, Schraubendrehern oder Ähnlichem. (4) Stellen Sie anschließend sicher, dass der Sicherheitsabstand um die gesamte Anlage eingehalten wurde.

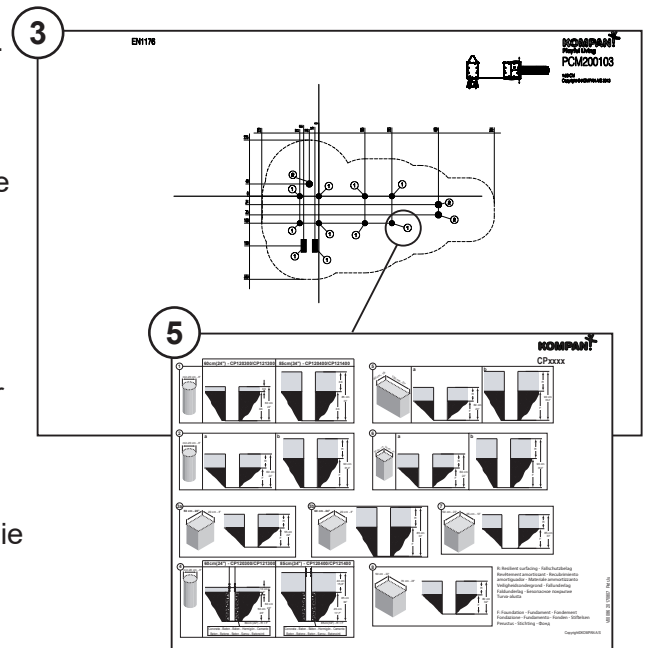
Der Sicherheitsbereich ist auf dem Plan durch eine gepunktete Linie um die Anlage herum gekennzeichnet.

Die Zeichnung zeigt eine schraffierte Fläche, in dem jeder gekennzeichnete Mittelpunkt mit jeweils einer Nummer (1, 2, 3, 4, 5, 6, etc.) versehen ist. Die schraffierte Fläche zeigt die Größe der Fundamentplatte an.

Jeder schraffierte Bereich ist nummeriert, wobei die Nummern auf eine Zeichnung verweisen, in der die Größe und Tiefe des jeweiligen Lochs sowie die dafür erforderliche Menge Beton angegeben sind.

Die Zeichnungen befinden sich auf der letzten Seite der Produkthanleitung.

Falls mechanisch ausgehoben wird, ist es ratsam, mehrere Fundamentlöcher bei einem einzigen Aushub anzufertigen. Stellen Sie sicher, dass die Enden der Linie X und Y gekennzeichnet werden, bevor die Maßbänder zum Ausheben entfernt werden. Es muss unbedingt möglich sein, die korrekte Positionierung der Anlage während des gesamten Montagevorgangs überprüfen zu können.

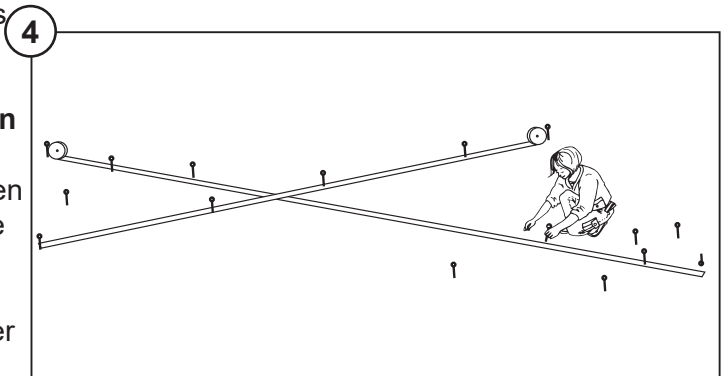


3 - Fundamentlöcher für die Montage im Boden

Heben Sie Löcher für Pfosten aus. Siehe dafür den Aushubplan (5), in dem angegeben ist, für welche Spielvorrichtung Beton erforderlich ist.

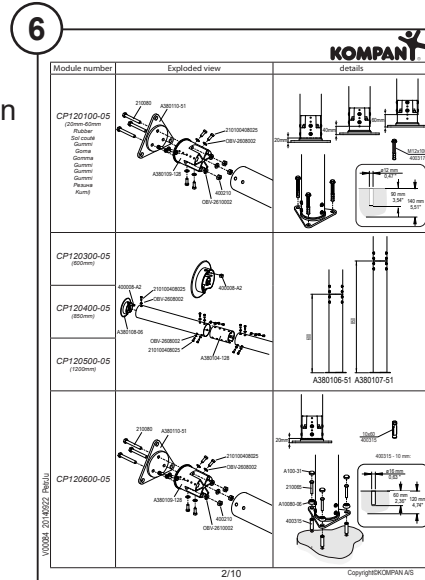
Achtung! Füllen Sie die Löcher erst auf, wenn der Aufbau abgeschlossen ist und die gesamte Konstruktion ordnungsgemäß ausgerichtet steht

Copyright©KOMPAN A/S



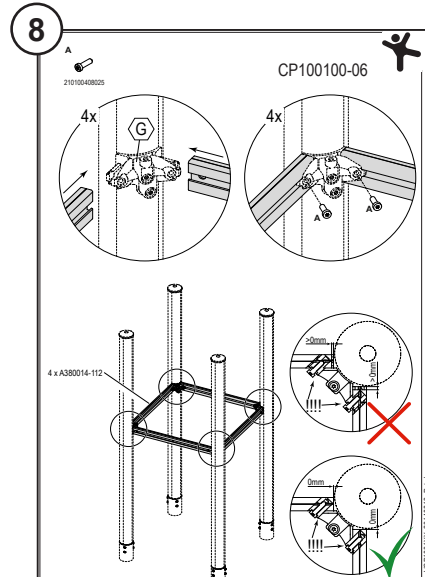
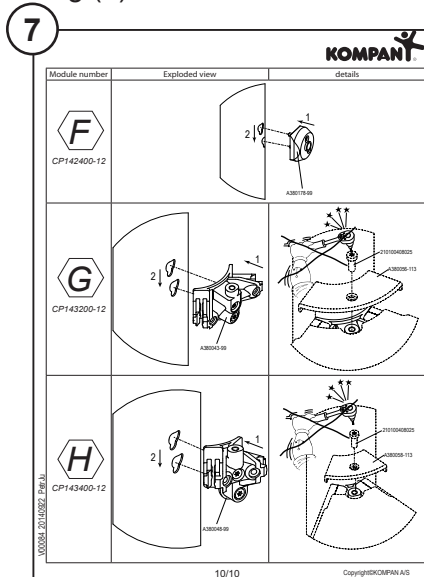
4 - Pfosten

Montieren Sie die FüÙe an den Pfosten, entsprechend der Montageanleitung (6), und platzieren Sie den Pfosten im richtigen Loch.



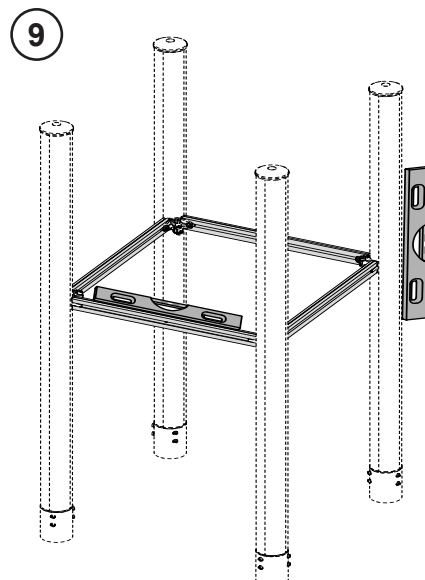
5 - Bodenverbinder

Montieren Sie die Bodenverbinder an den Pfosten (7) und bauen Sie den Bodenrahmen entsprechend der Montageanleitung (8) zusammen.



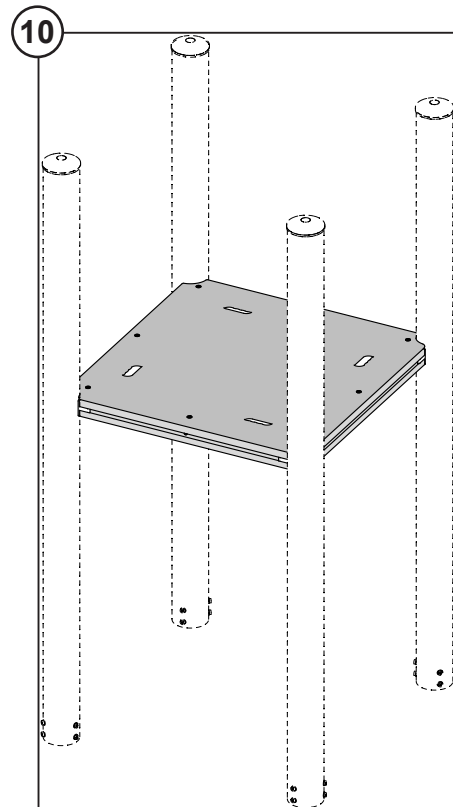
6 - Ebener Aufbau

Nivellieren Sie den Aufbau sowohl vertikal als auch horizontal. (9)

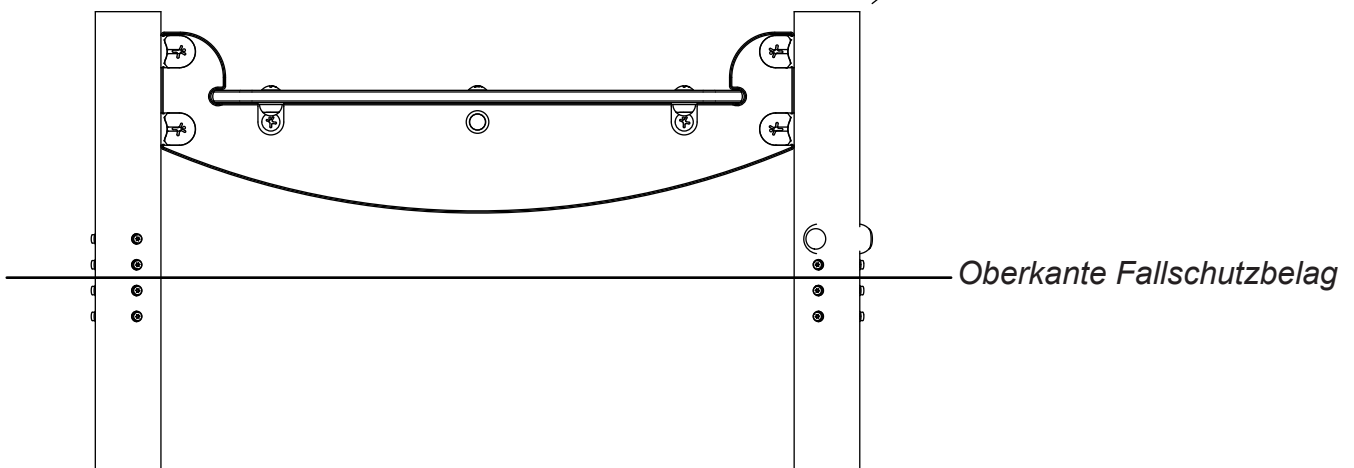
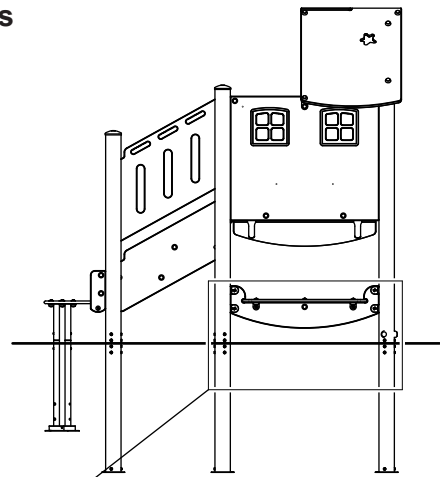


7 - Vollständige Montage des Bodens

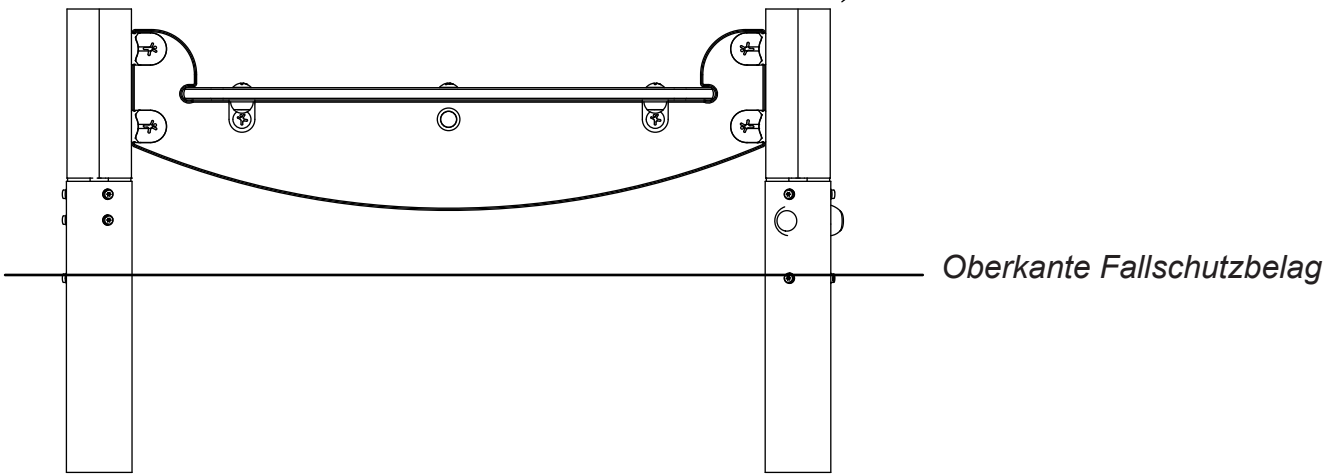
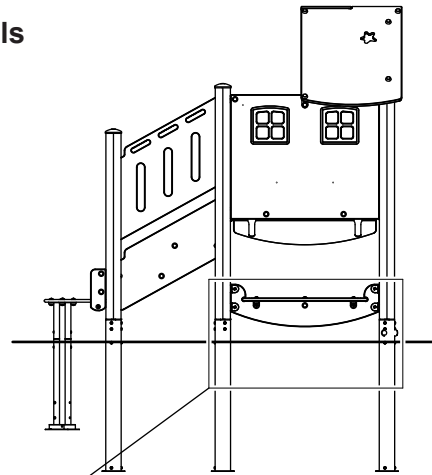
Fahren Sie mit der Montage des Bodens gemäß der Montageanleitung fort.(10)



7a - Oberkante Fallschutzbelag – Einbau von Stahlpfosten als Tiefenverankerung



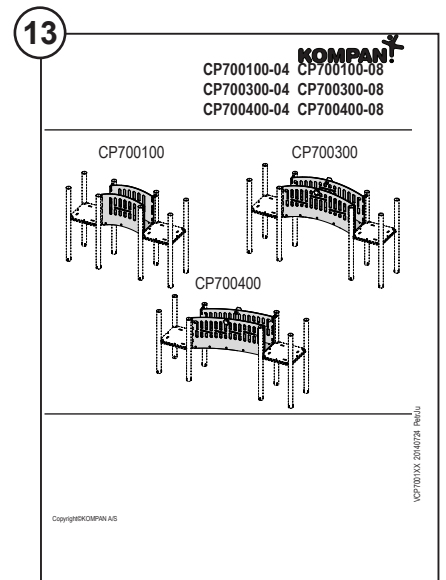
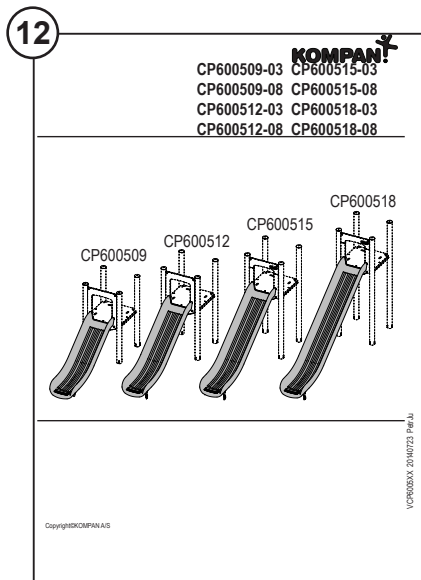
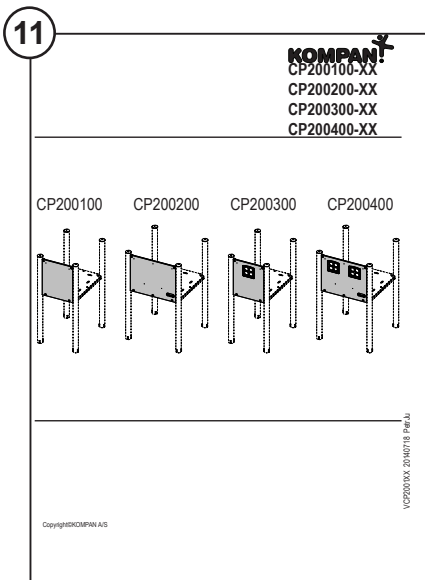
7b – Oberkante Fallschutzbelag – Einbau von Holzpfosten als Tiefenverankerung



8 - Modulmontage

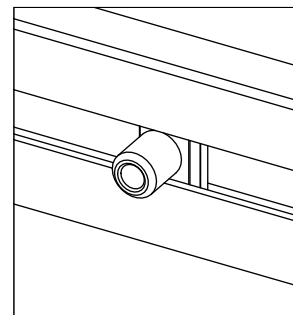
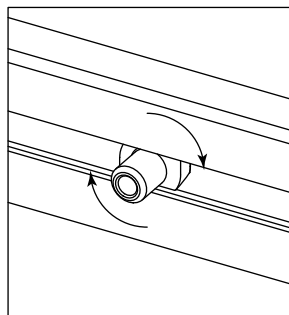
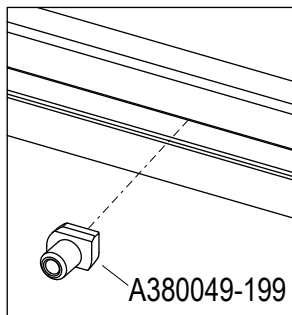
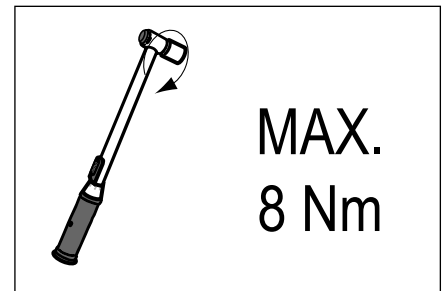
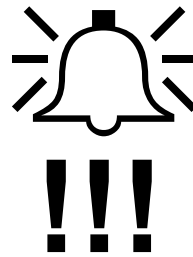
Montieren Sie jedes Modul gemäß der Modul-Montageanleitung. Folgen Sie der Montageanleitung Seite für Seite.

(11,12,13,...)

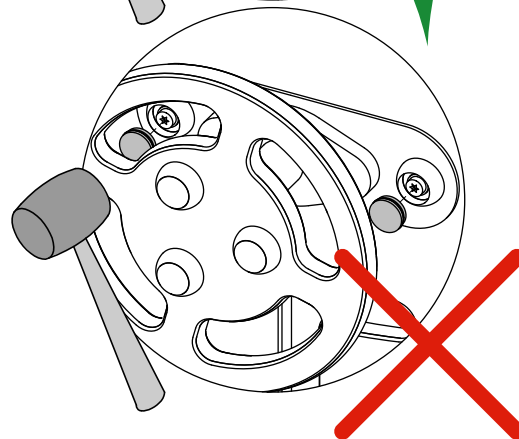
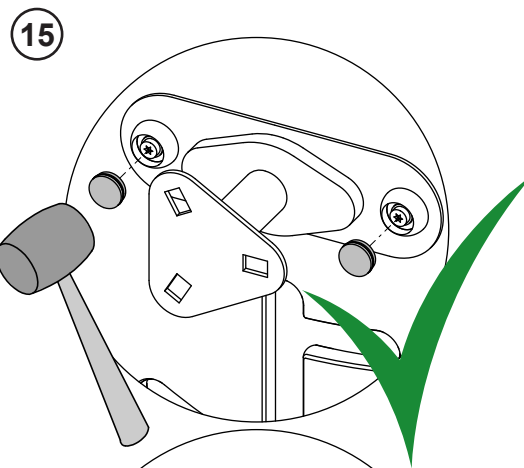
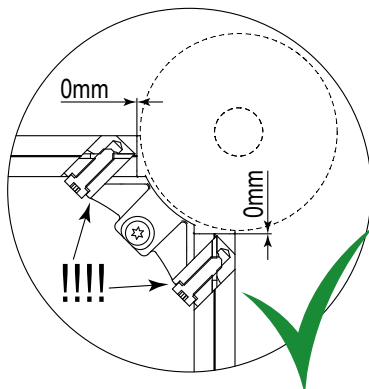
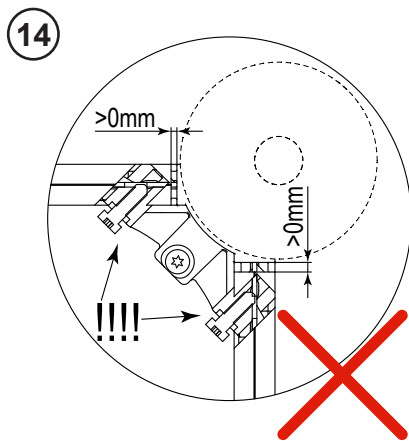


8a - Wichtige Hinweise

Verwenden Sie zur Verbindung mit T-Mutter A380049-199 max. Drehmoment **8Nm!**



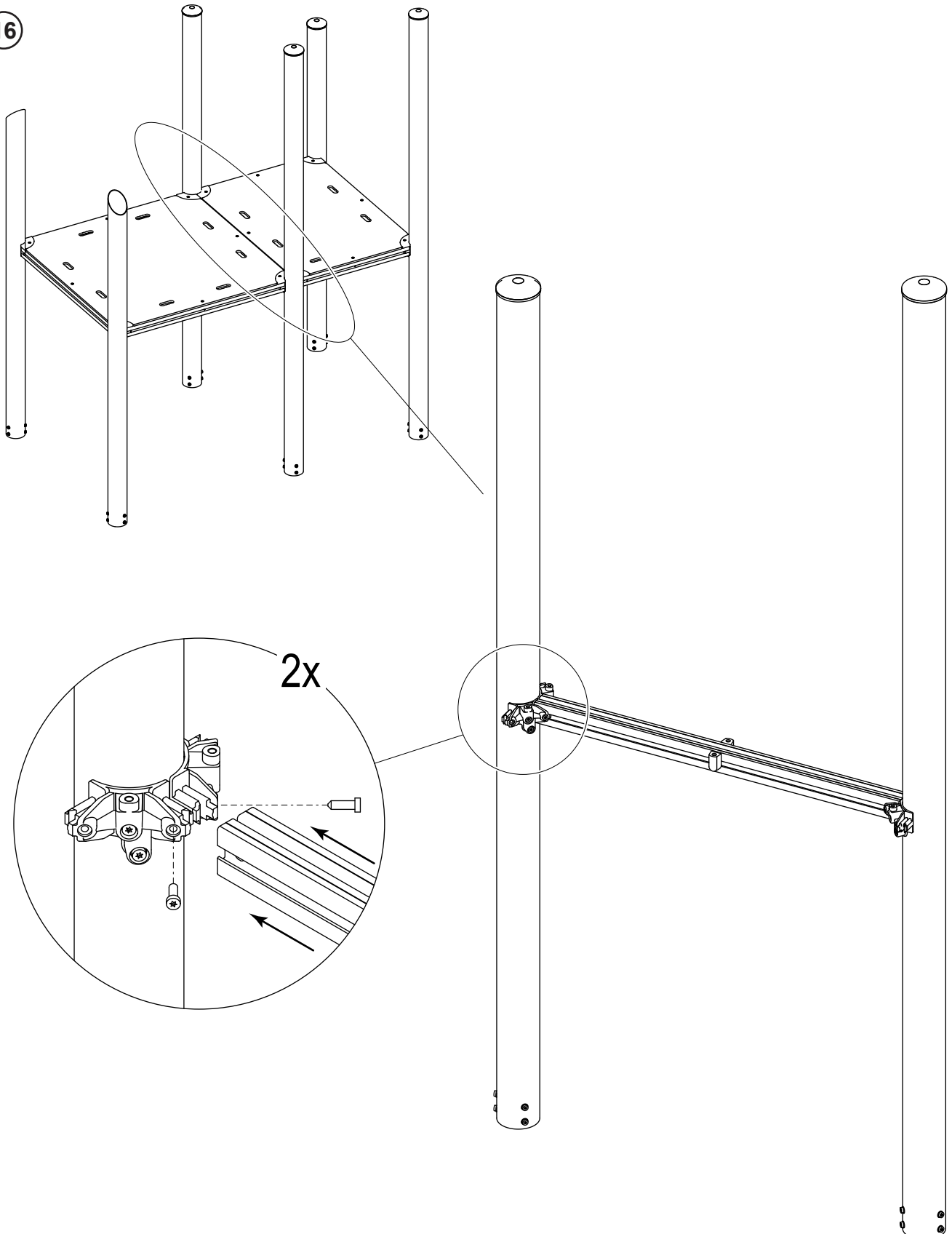
Achten Sie besonders auf Details in der richtigen und falschen Montage. (14,15,...)



8b - Verbindung der Böden

Wenn zwei Türme verbunden werden, stellen Sie sicher, dass Sie zuerst mittlere Pfosten mit zwei Profilen montieren. Befolgen Sie dann den Rest des Aufbaus gemäß der Montageanleitung. (16)

16

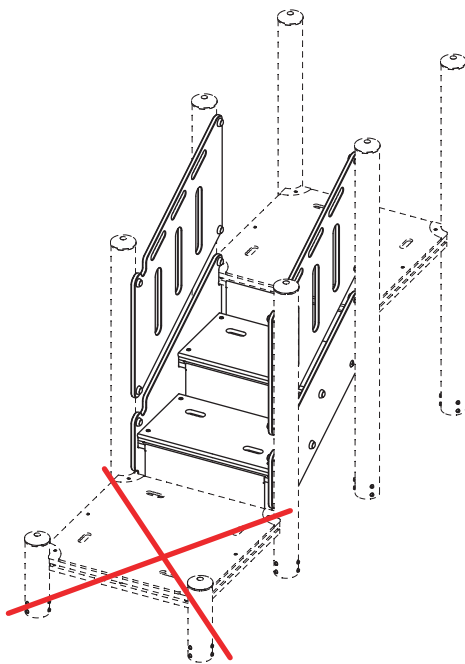


8c - Montage der Treppen (CP500300&CP500400)

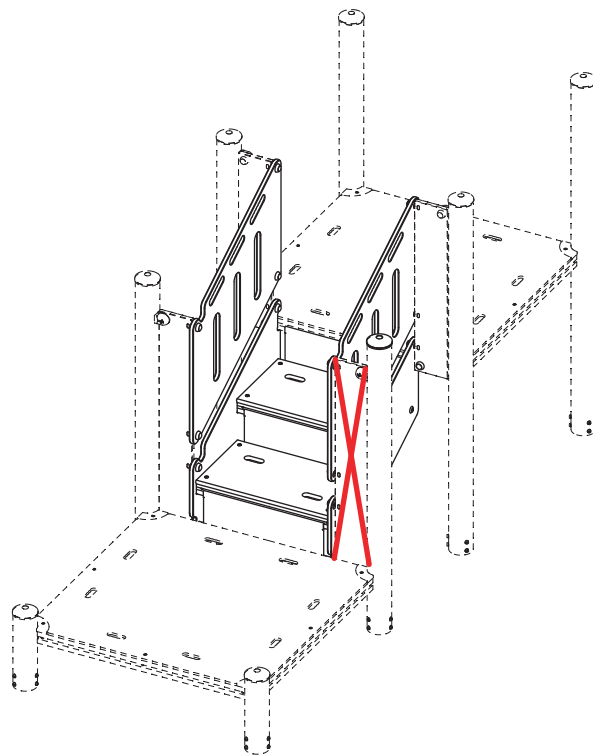
Für die erfolgreiche und einfache Montage der Treppen (CP500300 und CP500400) ist es wichtig, die Montageanleitung Seite für Seite zu befolgen. Die untere Plattform kann nicht montiert werden, bevor die Treppen am kleinen Turm montiert wurden. (17)

Für die einfache Montage der Treppen am großen Turm muss nur ein Paneel von CP402200 montiert werden. Das andere Paneel wird während der Montage des Treppenmoduls montiert. (18)

17



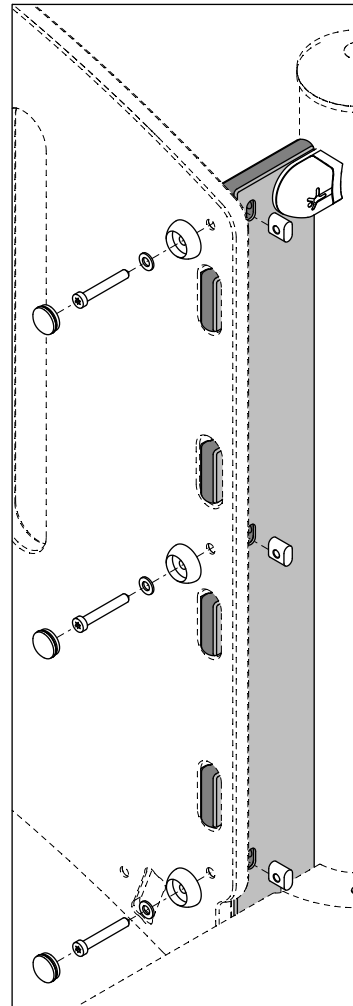
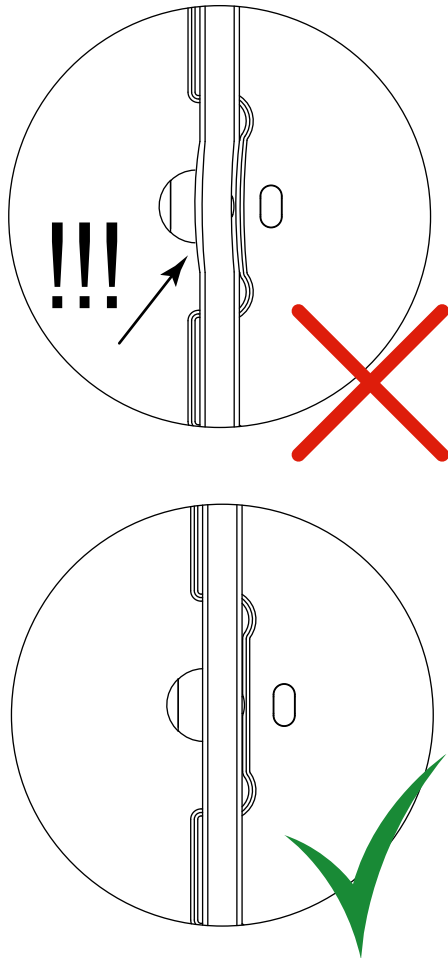
18



8d - Wichtige Hinweise

Stellen Sie sicher, dass keine Verformung der Paneele auftritt, wenn Sie die Verbindung mit A400334 anziehen! (19)

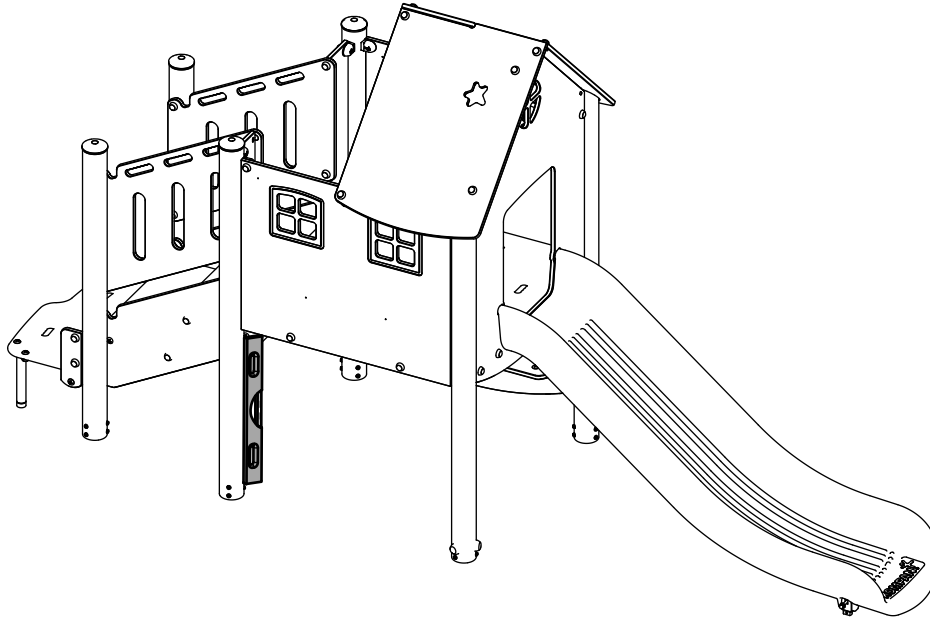
19



9 - Überprüfen Sie den ebenen Aufbau

Wenn alle Module montiert sind, überprüfen Sie Boden und Pfosten mithilfe der Wasserwaage. (20)

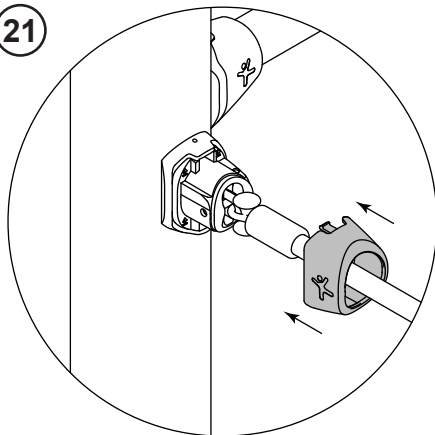
20



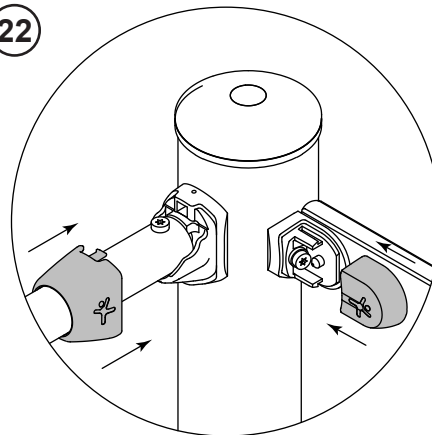
10 - Montieren Sie alle Abdeckungen und Mutterkappen.

Montieren Sie alle Abdeckungen und Mutterkappen. (21,22,23) Vergessen Sie nicht, alle Etiketten von den Paneelen, Stahlteilen, Pfosten, etc. zu entfernen. (24)

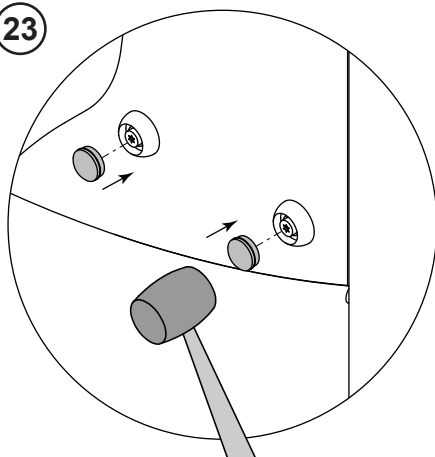
21



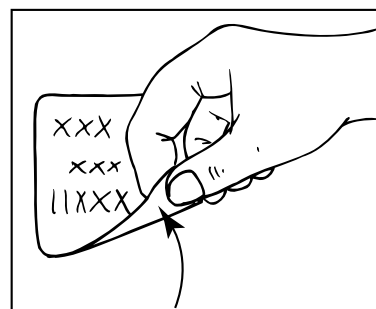
22

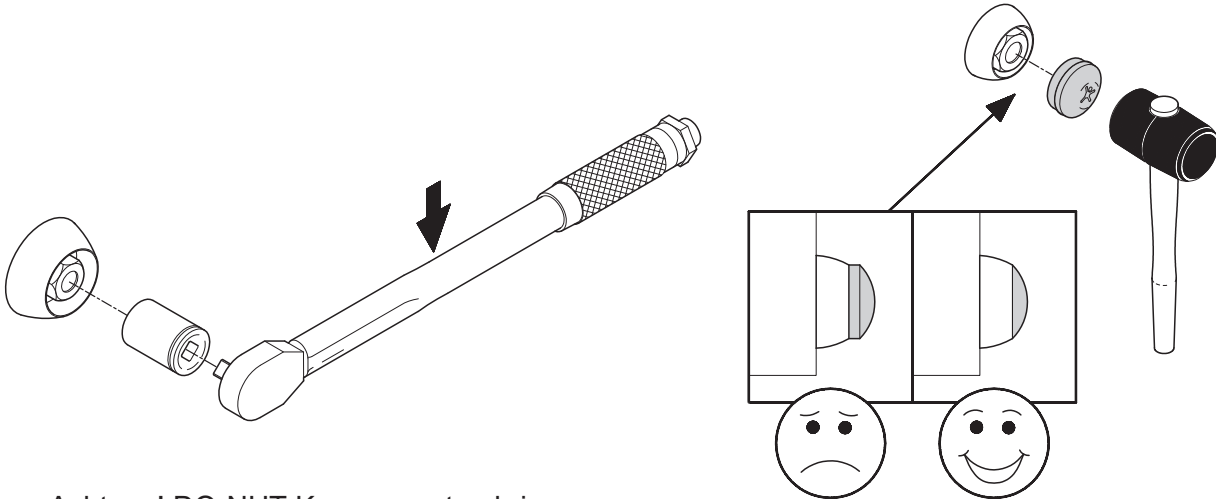


23

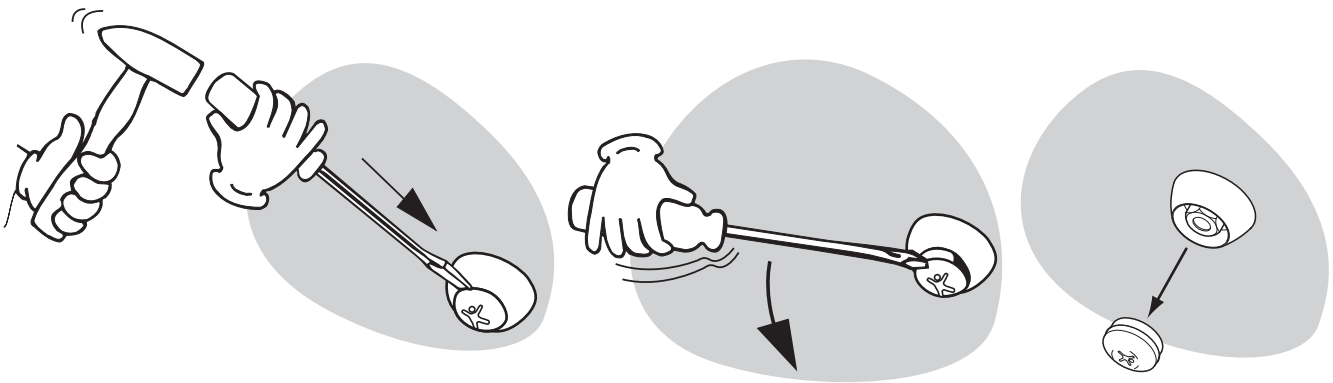


24





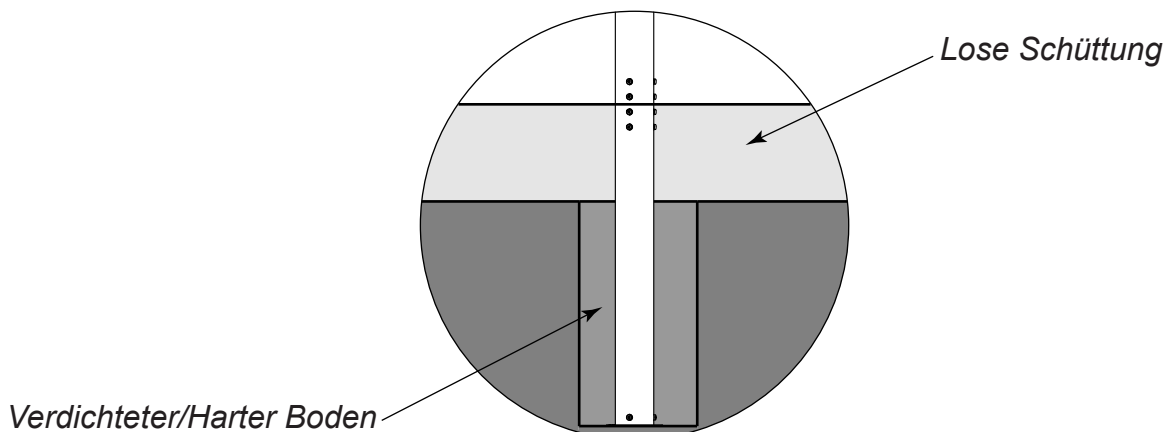
Achtung! DO-NUT-Kappen erst anbringen, wenn die ganze Anlage aufgestellt und sämtliche Bolzen angezogen sind.



11 - Sicherheitsfläche

Füllen Sie den Sicherheitsbereich mit Oberflächenmaterial bis zur Markierung des Oberflächenniveaus am Fuß auf. (25)

25



Installation du système KOMPAN CORE PLATFORM

Cette notice a pour but l'installation du système KOMPAN CORE PLATFORM.

NB! Merci de lire ces instructions avant de commencer l'installation et de ne pas déballer tous les colis sans en prendre connaissance.

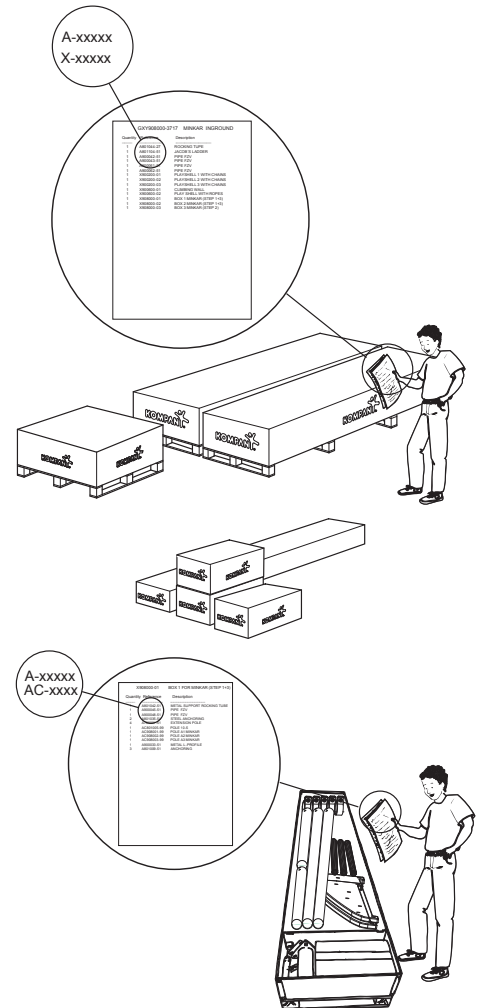
En plus de cette notice, vous trouverez également la documentation suivante:

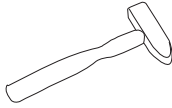
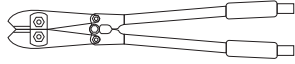


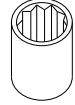
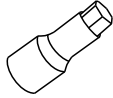
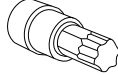
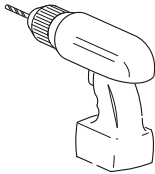
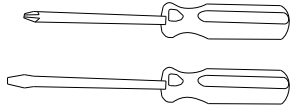

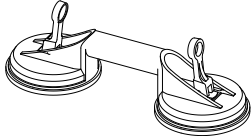

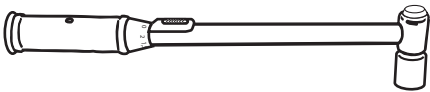
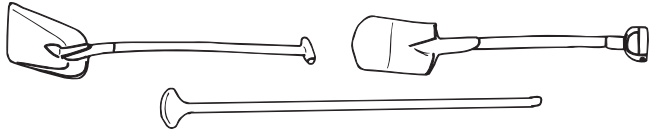
- Liste des colis devant être utilisés au cours de l'installation.
- Guide produit, avec croquis des produits à assembler
- Notice d'installation

Tous les colis sont livrés avec leurs étiquettes de référencement.

Utilisez la liste des colis pour vérifier que tous les paquets sont bien présents avant de commencer l'installation.

Ensuite, vérifiez le contenu de chaque colis à l'aide de la liste de contenu, que vous trouverez à l'intérieur de la boîte sur sa partie supérieure.



Outil	Taille/diamètre	
Marteau		
Coupe Boulon		
Niveau à bulle		
Clé à cliquet		
Ensemble de clés à douille	13 mm 16 mm 17 mm 19 mm	
Ensemble de clés hexagonal	6 mm	
Torx	Tx40	
Forets/mèches + Perceuse	Ø10mm Ø14mm	
Tournevis		
Mètre à ruban		
Ventouse		
Corde		
Clé dynamométrique	8 Nm	
Pelle + Bêche + Tampon		

1 - Pour bien démarrer.

Commencez par identifier l'emplacement des pieds
Et s'assurer que l'espace nécessaire, notamment la zone
de sécurité, est suffisant.

*Le plan de la zone de sécurité se trouve dans le Guide
de produit. (1)*

2 - Prise de Mesures

Positionner deux traits perpendiculaires dans l'espace
où le jeu sera installé. (2)

Suivre les informations du dessin du Guide de Produit (3)
afin de déterminer où les deux bandes adhesives
doivent se croiser. Sur le dessin, le point est indiqué où
la ligne X et la ligne Y se croisent. Assurez vous que les
bandes adhesives sont perpendiculaires.

Mesurer les points centraux indiqués pour toutes
les fondations du jeu. Marquer ces points à l'aide de
chevilles, tournevis ou autre. (4) Vérifier ensuite que la
zone de sécurité autour du jeu est bien respectée.

Sur le dessin, la zone de sécurité est matérialisée par
une ligne pointillée.

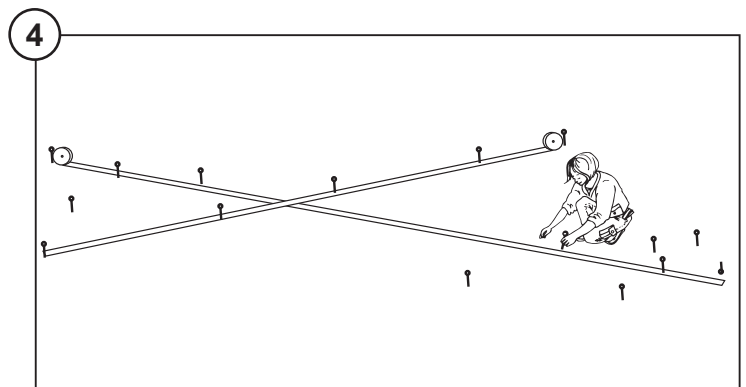
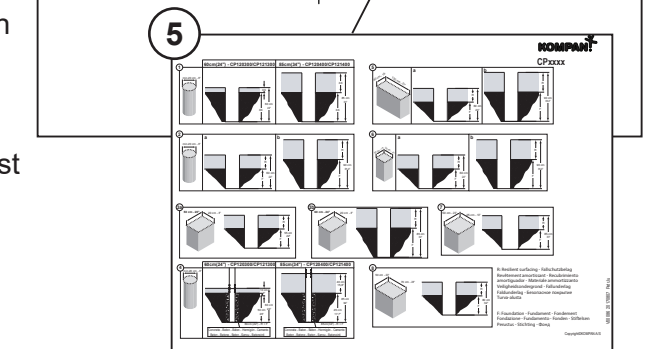
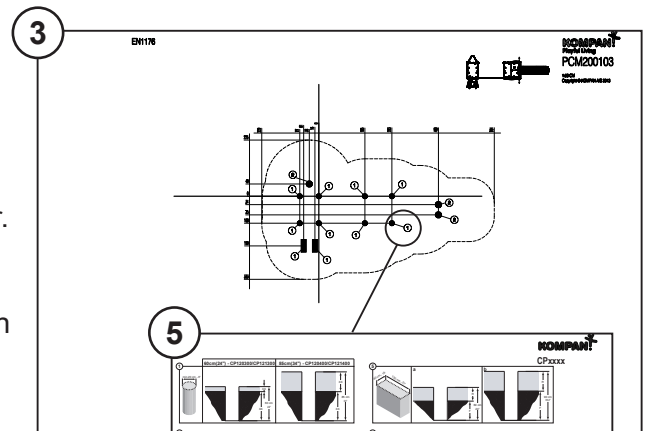
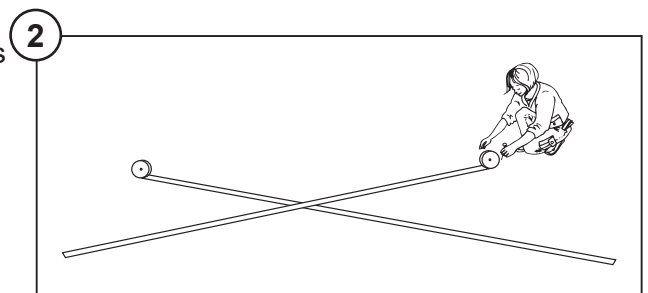
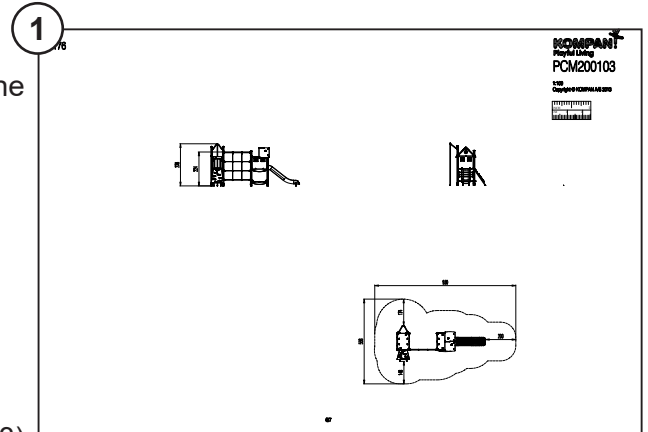
Le dessin comporte une zone hachurée numérotée
(1, 2, 3, 4, 5, 6, etc.) sur chaque point central indiqué.
La zone hachurée indique la taille de la coupe de
fondation.

Chaque zone grisée est numérotée, et le chiffre
correspond au dessin montrant la taille et la profondeur
du trou à creuser ainsi que le volume de béton à utiliser.
Les plans et dessins se trouvent sur la dernière page
du Guide Produit. Si une pelle mécanique est utilisée, il
est intéressant de combiner plusieurs trous de fondation
par excavation. Assurez-vous que les extrémités des
lignes X et Y ont été bien marquées avant de retirer les
bandes et commencer à creuser. Il est important d'être
en mesure de vérifier et de s'assurer que l'aire de jeu est
correctement positionnée tout au long de l'installation.

3 - Trous de fondation pour installation en sol

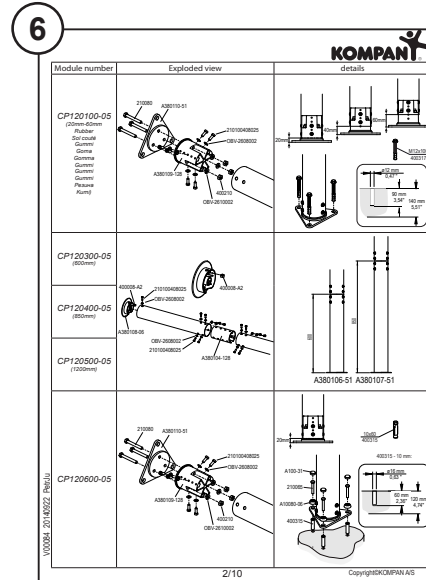
Creuser des trous pour les poteaux, voir plan de
fondation (5), qui montre quelle situation
nécessite du béton.

Important. Ne remplir les trous que lorsque
l'installation est terminée et la structure est
d'aplomb et de niveau.



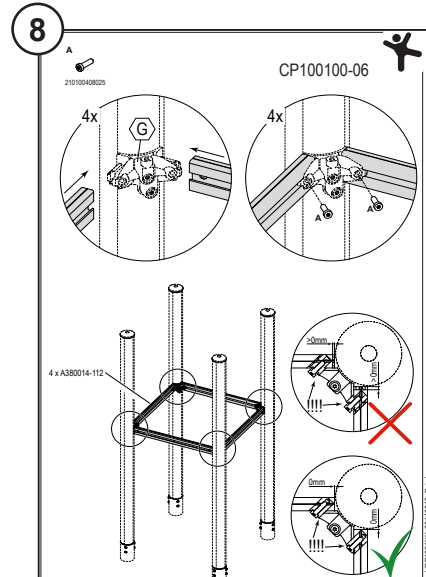
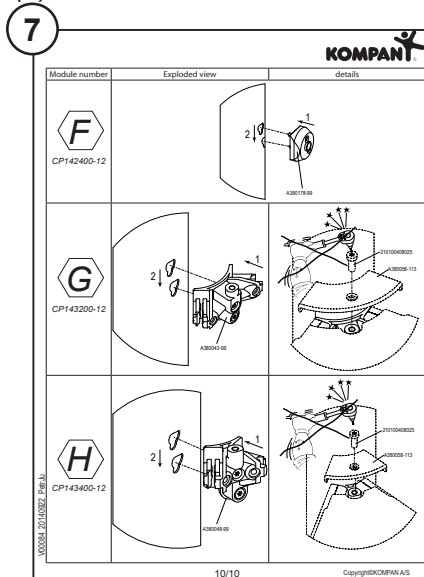
4 - Poteaux

Installer les pieds en suivant les instructions du dessin (6) et placer les poteaux dans les trous correspondants.



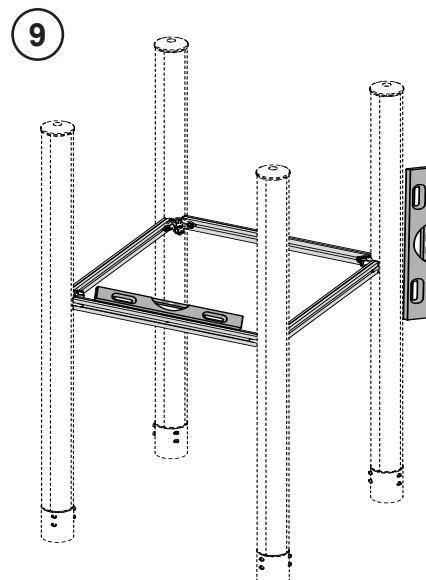
5 - Connecteurs de sol

Installer les connecteurs de sol au poteau (7) et assembler le cadre de sol selon les instructions de montage (8)



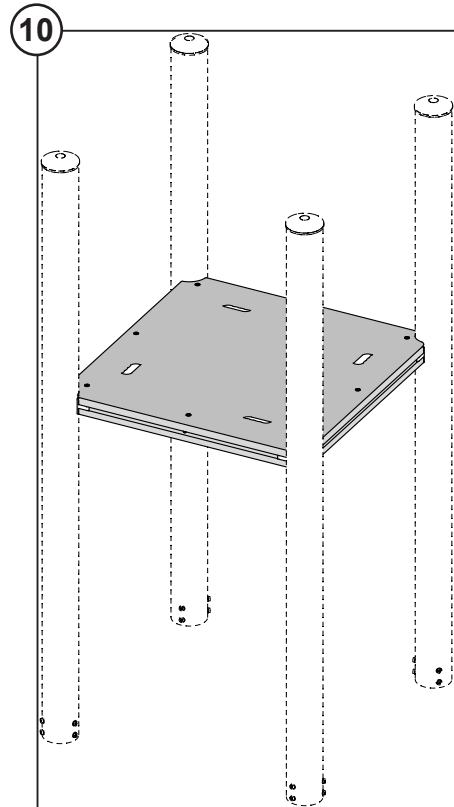
6 - Mise à niveau de la structure

Mettre la structure de niveau verticalement et horizontalement (9)

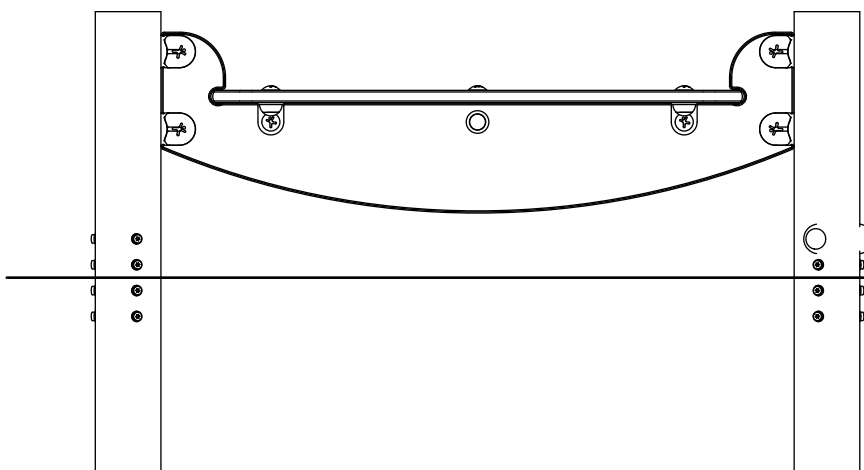
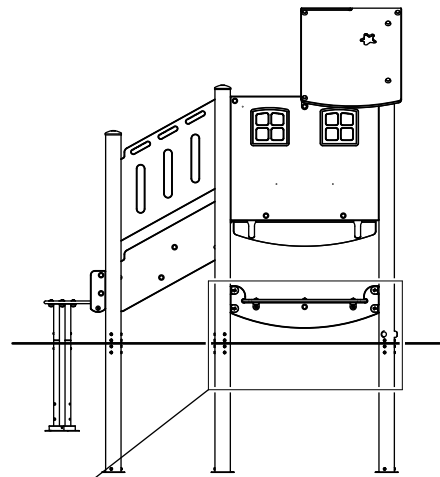


7 - Terminer l'installation du plancher

Continuer l'assemblage selon les instructions de montage. (10)

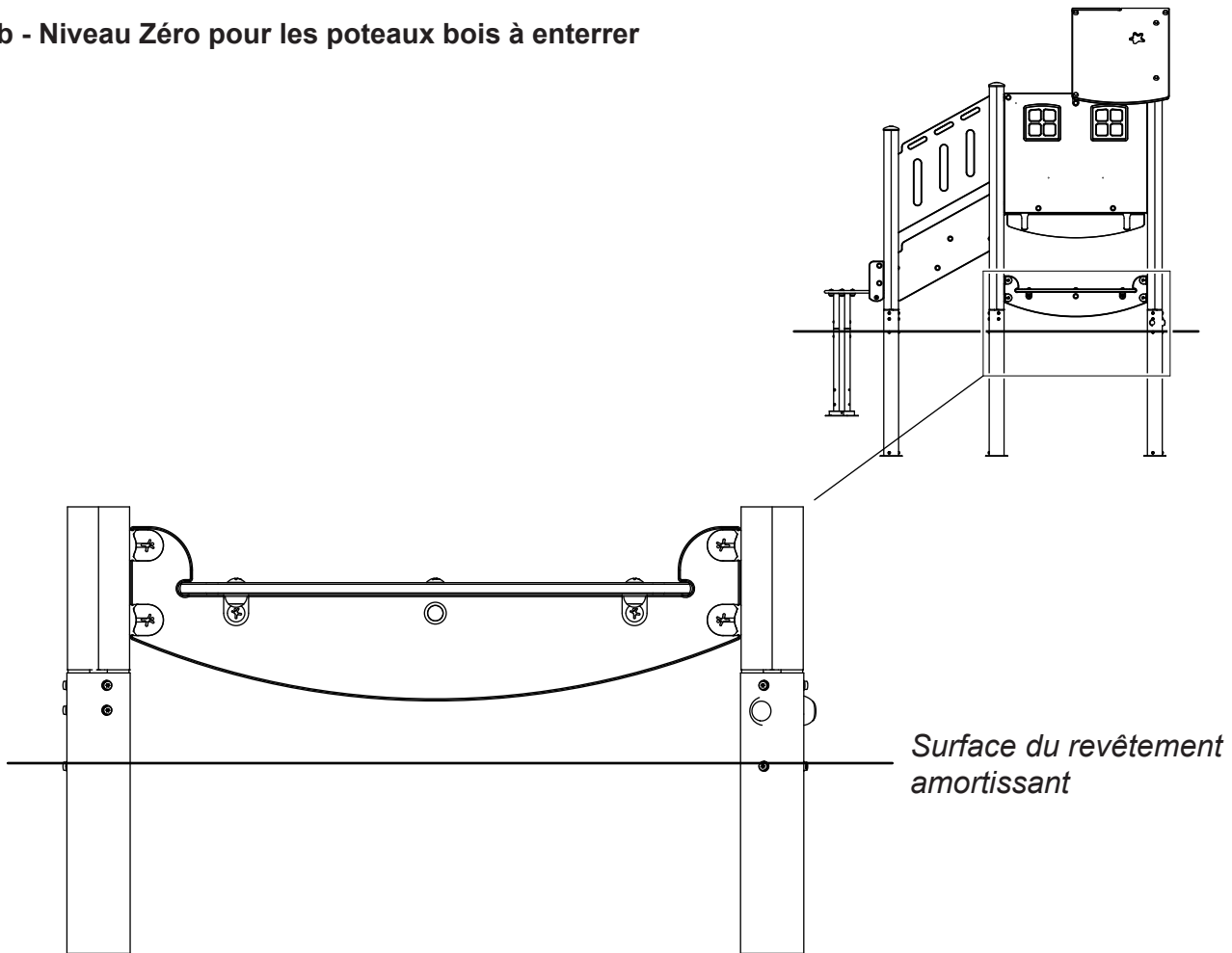


7a - Niveau Zéro pour les poteaux acier à enterrer



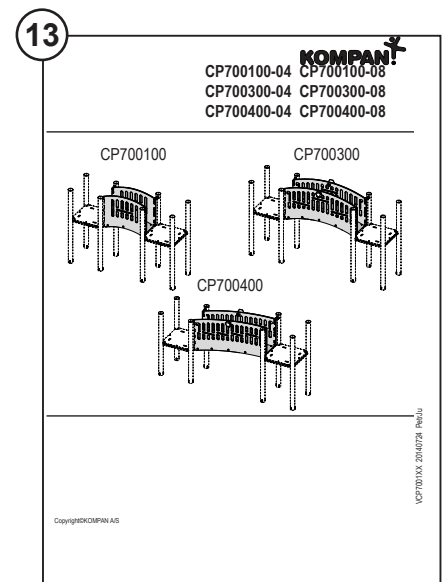
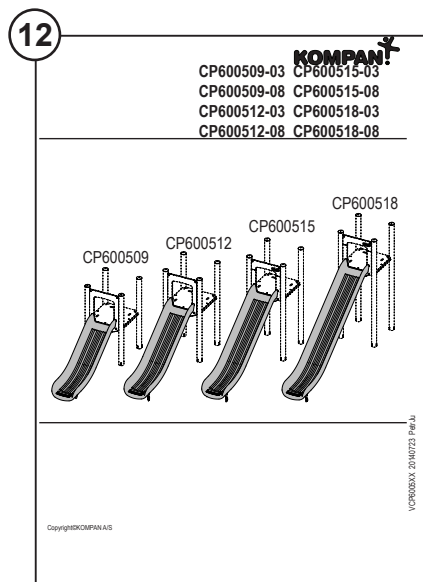
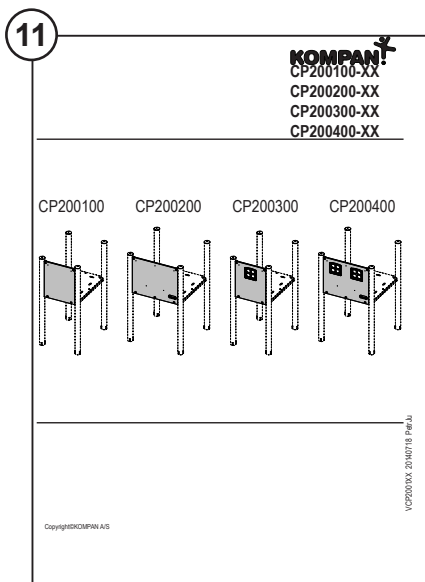
Surface du revêtement amortissant

7b - Niveau Zéro pour les poteaux bois à enterrer



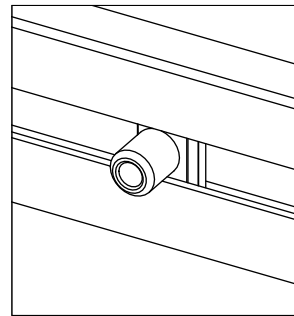
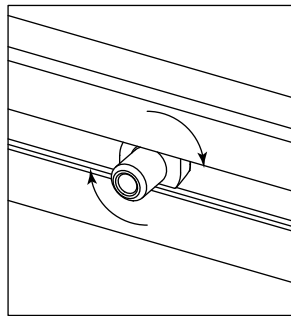
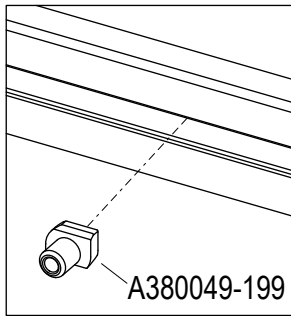
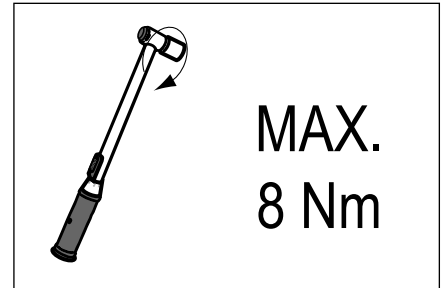
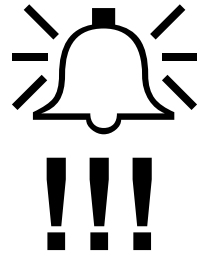
8 - Assemblage du module

Monter chaque module selon la notice d'installation.
 Suivre la notice page par page.
 (11, 12, 13,...)

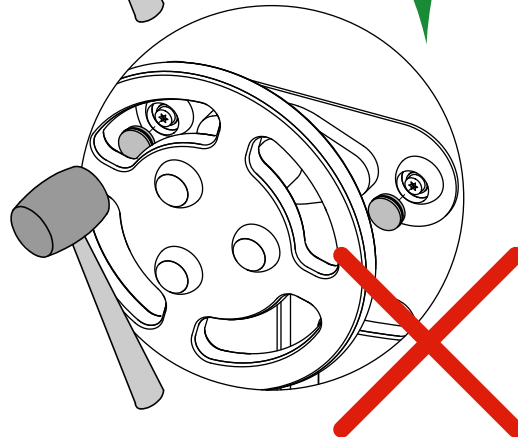
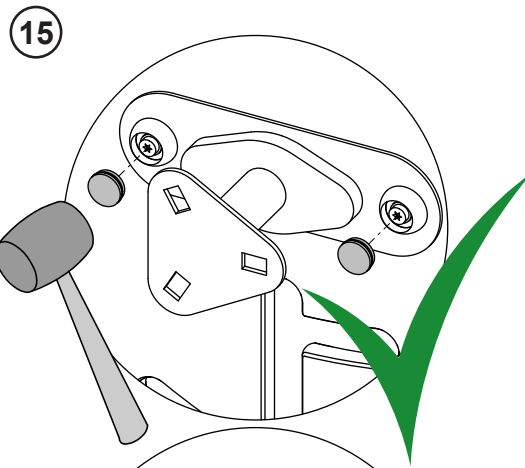
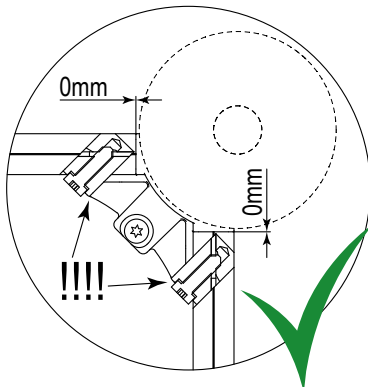
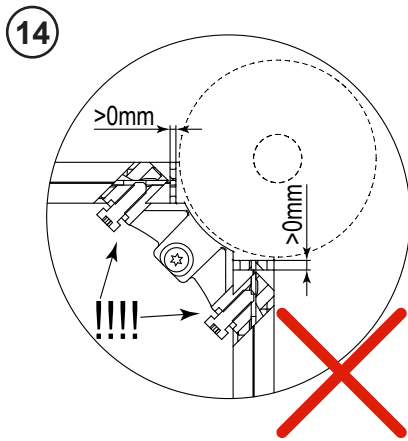


8a - IMPORTANT

Pour une adaptation au T-Nut A380049-199, utiliser la clé dynamométrique **8Nm!!!**



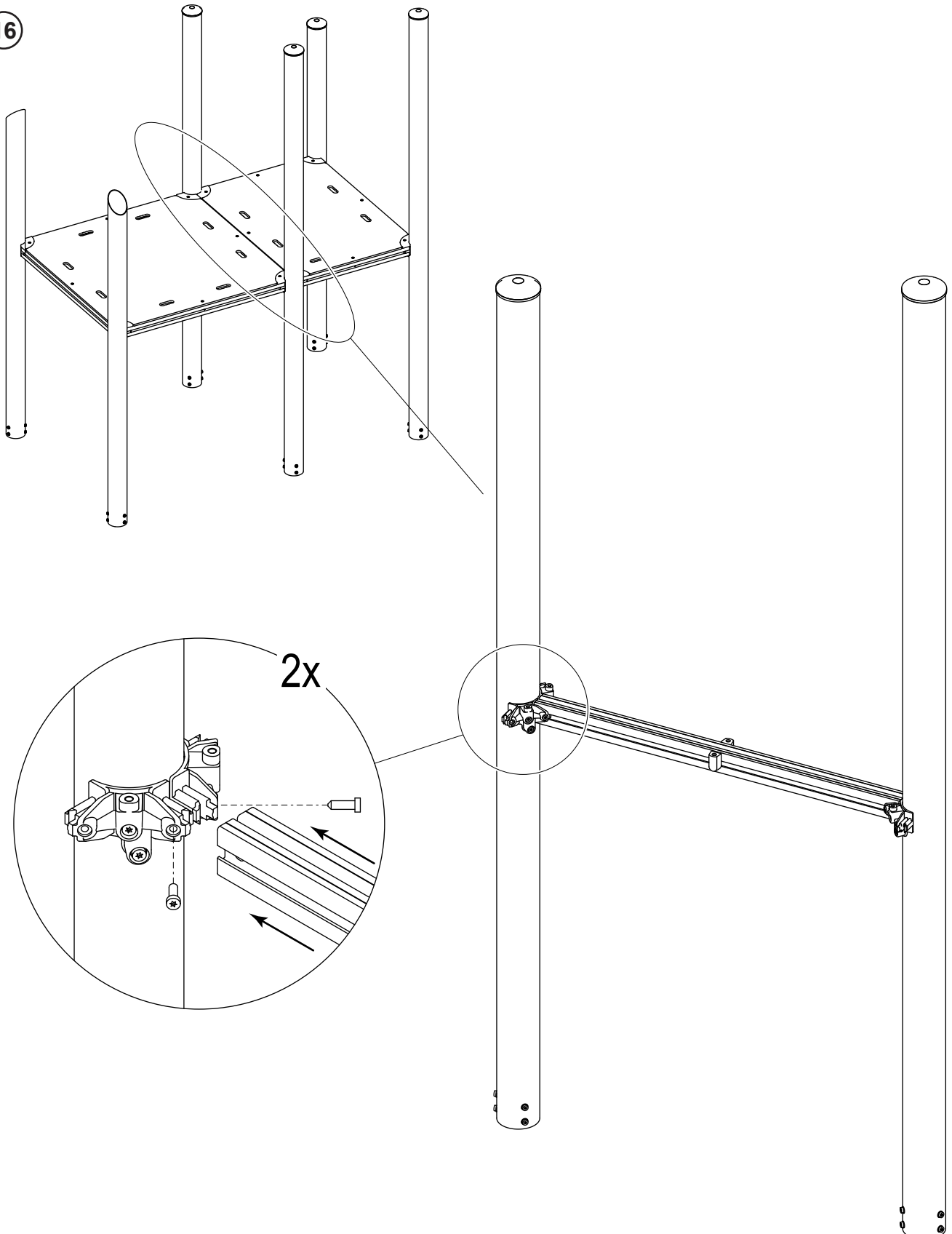
Merci de bien prêter une attention particulière au bon et mauvais montage.(14,15,...)



8b - Relier deux planchers

Lorsque deux tours sont à assembler, assurez-vous de bien fixer les poteaux centraux en premier. Ensuite continuer avec le reste de l'installation en suivant les instructions. (16)

16

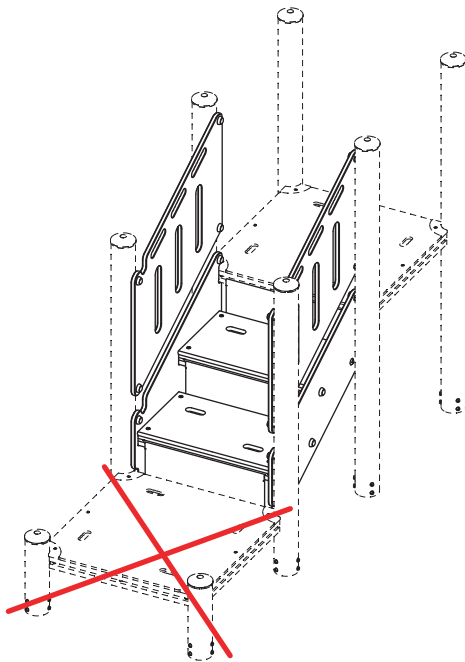


8c - Installation des escaliers (CP500300&CP500400)

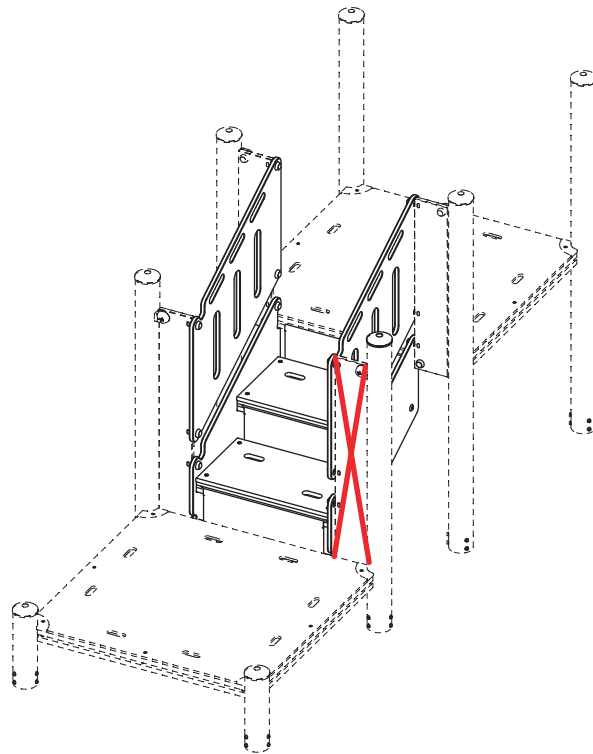
Pour installer les escaliers facilement (CP500300 et CP500400) il est essentiel de suivre précisément la notice de montage. Le plancher inférieur ne peut être monté avant l'installation des escaliers sur la petite tour (17)

Pour une installation plus facile sur la grande tour, il est nécessaire d'installer un seul panneau de référence CP402200. L'autre panneau sera assemblé pendant le montage du module escalier. (18)

17

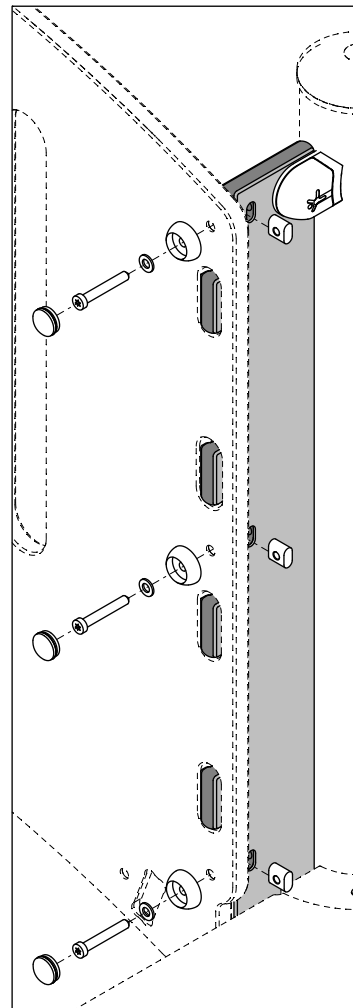
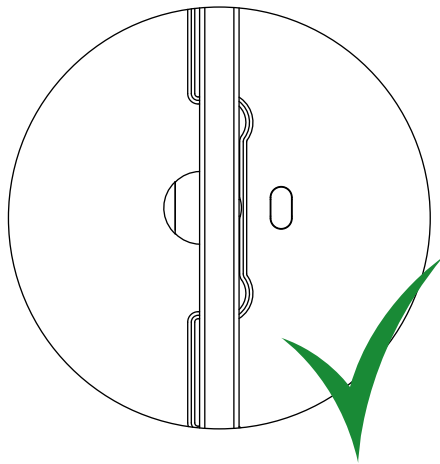
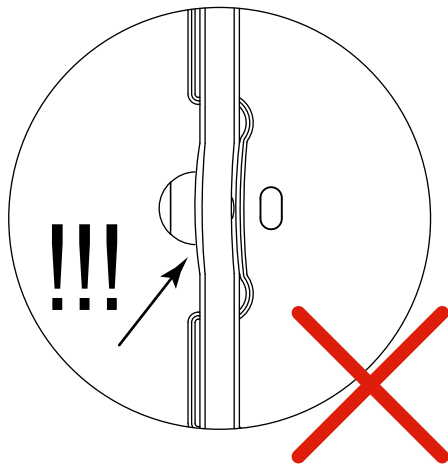


18



8d - Détails importants

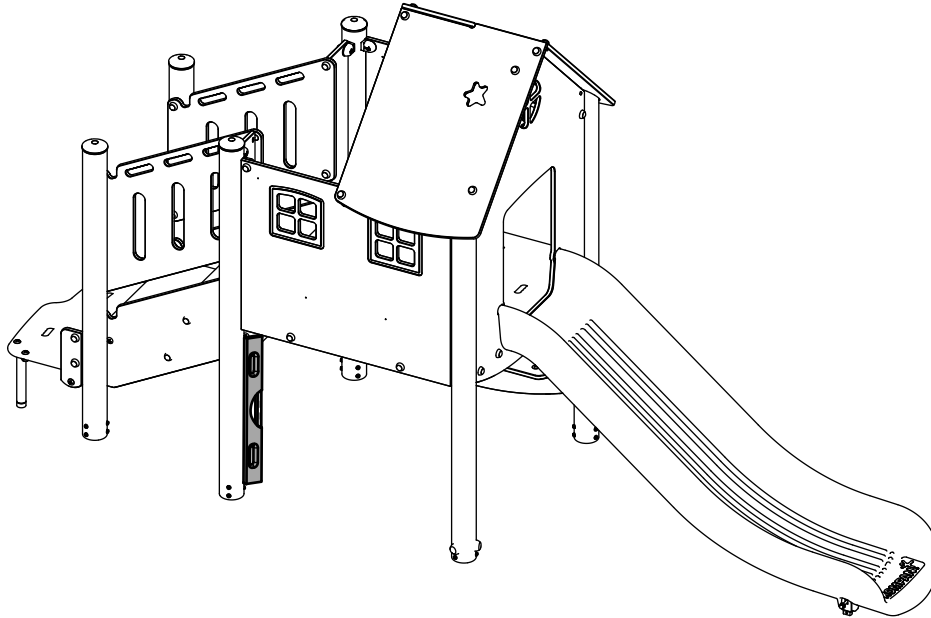
Assurez vous que le panneau ne présente pas de déformation (voir ci-dessous) après assemblage avec A400334!!! (19)

19

9 - Vérifier la structure de nouveau

Lorsque tous les modules sont installés,
Vérifier que planchers et poteaux sont toujours de niveau. (20)

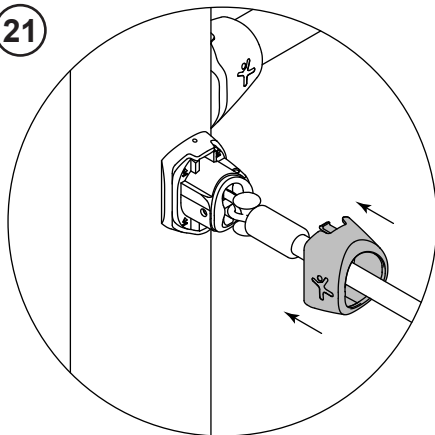
20



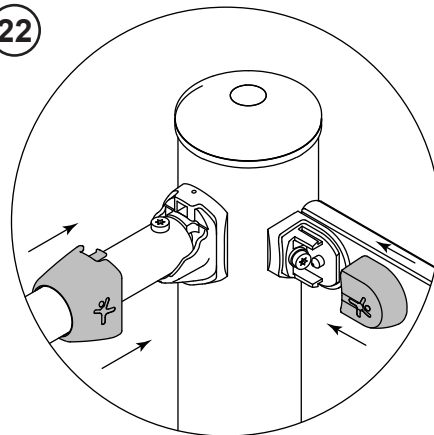
10 - Placer les bouchons de protection.

Installer les bouchons de protection. (21,22,23)
Enlever tous les autocollants et étiquettes des panneaux,
parties métalliques, poteaux.... (24)

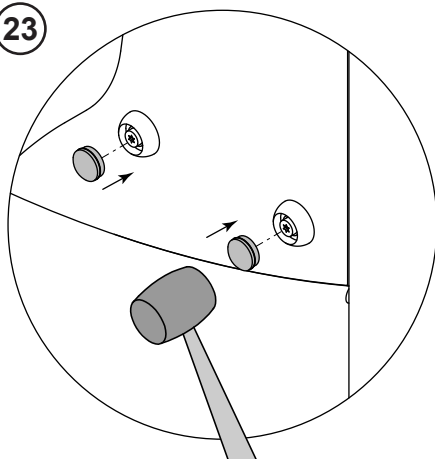
21



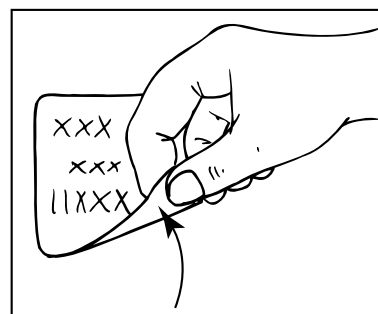
22

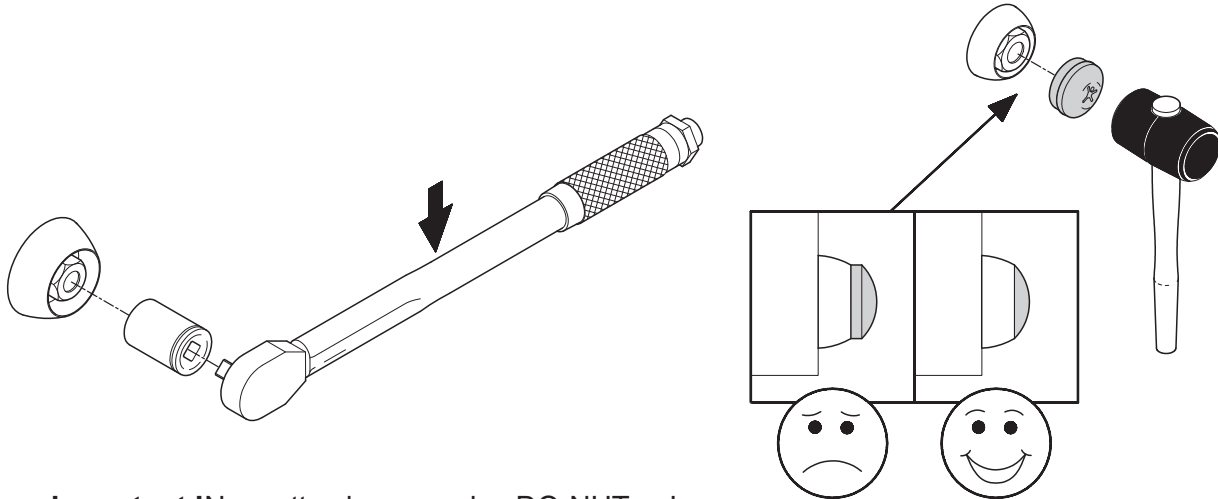


23

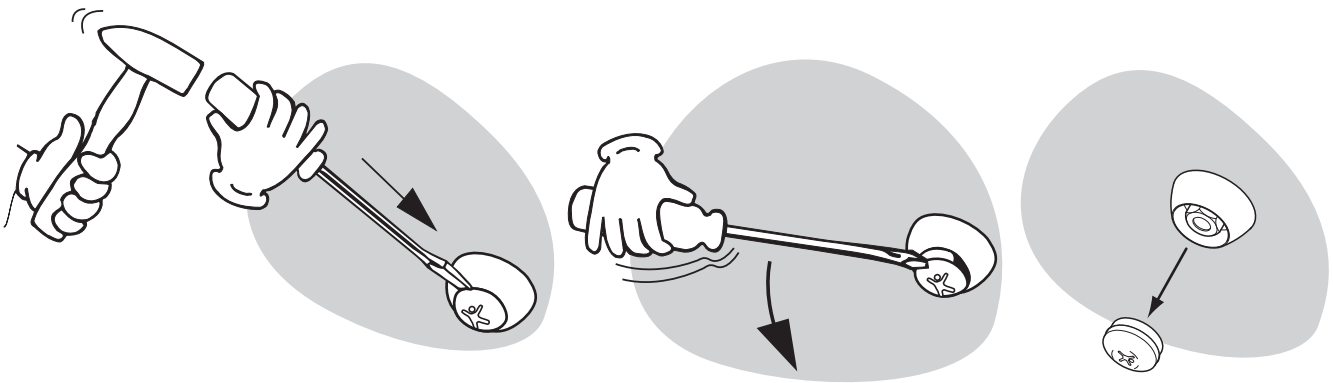


24





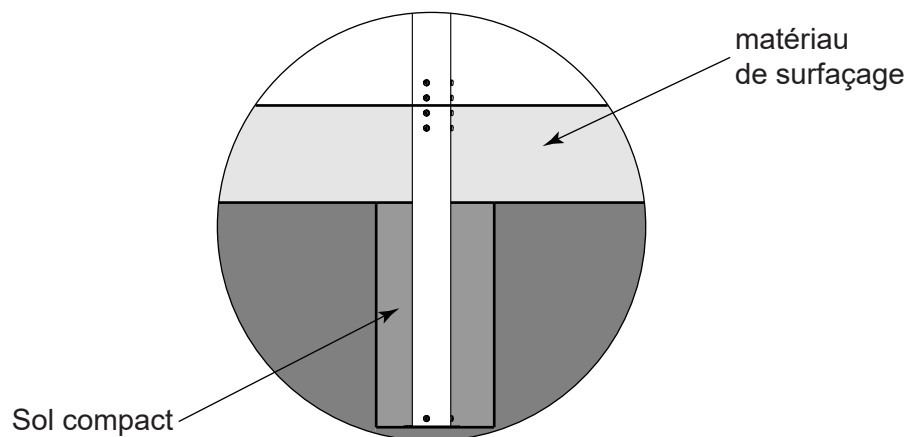
Important ! Ne mettez les capsules DO-NUT qu'une fois la combinaison entièrement montée et lorsque tous les boulons auront été solidement vissés.



11 - Surface de sécurité

Remplir la surface de sécurité avec le matériau de surfacage jusqu'à ce que la surface soit parfaitement au niveau du marquage. (25)

25



Installazione del Sistema KOMPAN CORE PLATFORM

Queste istruzioni descrivono l'installazione del sistema KOMPAN CORE PLATFORM.

NB! Legga queste istruzioni prima di iniziare l'installazione e non tolga subito dagli imballaggi tutto il materiale.

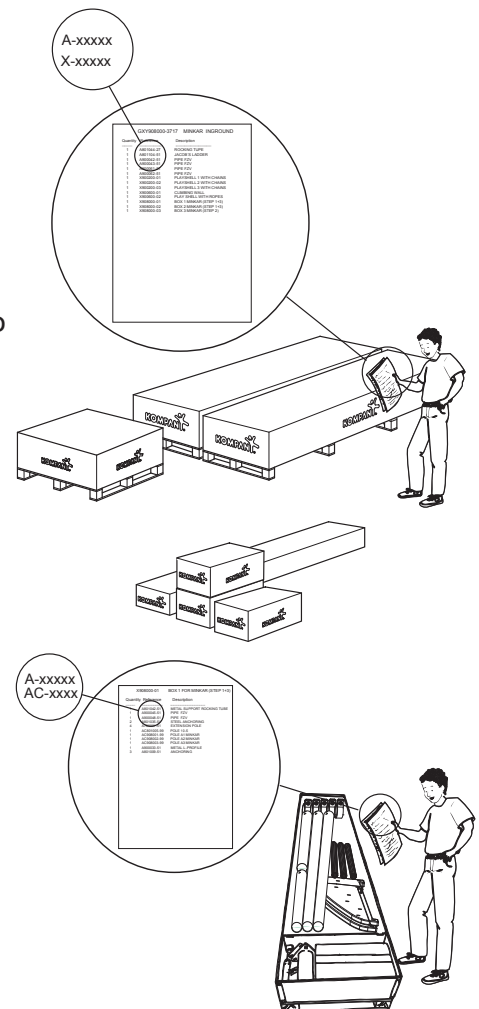
In aggiunta a queste istruzioni generali potrà trovare la seguente documentazione:

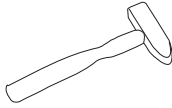
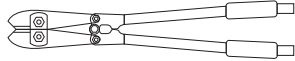


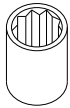

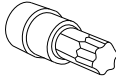
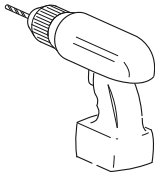
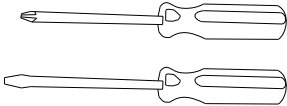

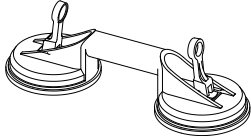

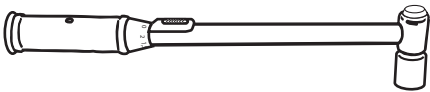
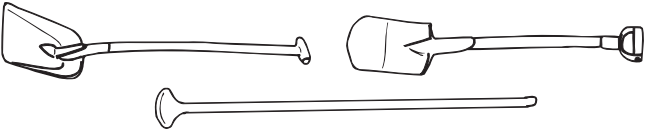
- Elenco dei pacchetti, che è una lista completa di tutti i pacchetti che devono essere usati nell'installazione.
- Guida del prodotto, che contiene i disegni di montaggio del prodotto
- Istruzioni d'installazione

Tutti i pacchetti sono forniti con delle etichette in cui compaiono i numeri di riferimento.

Usi l'elenco della merce per controllare che tutti i pacchi siano presenti, prima di iniziare l'installazione.

Dopo controlli il contenuto di tutte le scatole utilizzando l'elenco della merce, che troverà dentro, sopra a tutte le scatole.



<i>Tool</i>	<i>Dimensione</i>	
<i>Martello</i>		
<i>Tronchesino</i>		
<i>Livella</i>		
<i>Chiave a corsa libera</i>		
<i>Set di chiavi a tubo</i>	13 mm 16 mm 17 mm 19 mm	
<i>Set di chiavi esagonali</i>	6 mm	
<i>Adattatore torx</i>	Tx40	
<i>Trapano completo</i>	Ø10mm Ø14mm	
<i>Cacciaviti</i>		
<i>Metro</i>		
<i>Ventosa</i>		
<i>Corda</i>		
<i>Chiave torsionometrica</i>	8 Nm	
<i>Pala + Vanga + Tamper</i>		

1 - Come iniziare.

Inizi localizzando i plinti e controlli di poter disporre dello spazio necessario, includendo l'area di sicurezza.

Può trovare la planimetria dell'area di sicurezza nella guida del prodotto. (1)

2 - Tracciamenti

Inserisca due nastri, delle misure indicate, a formare una croce nell'area in cui sarà installato il sistema. (2) Usi la guida del prodotto (3) per localizzare il punto in cui i due pezzi di nastro devono incrociarsi. Nel disegno il punto viene indicato dove la linea X e la Y si incontrano. Si assicuri che i due nastri siano perpendicolari.

Misuri i punti centrali indicati per le fondazioni per l'intero sistema. Marchi questi punti con pioli, cacciaviti o similari. (4) In seguito controlli che la zona di sicurezza intorno all'intero sistema venga rispettata.

La zona di sicurezza è indicata da una linea tratteggiata intorno alla struttura nella planimetria.

La planimetria mostra un'area tratteggiata con un numero (1, 2, 3, 4, 5, 6, ecc.) in ciascuno dei punti segnalati.

Ogni area tratteggiata è numerata e il numero si riferisce a un disegno che mostra la dimensione e la profondità del plinto e la quantità di cemento da usare.

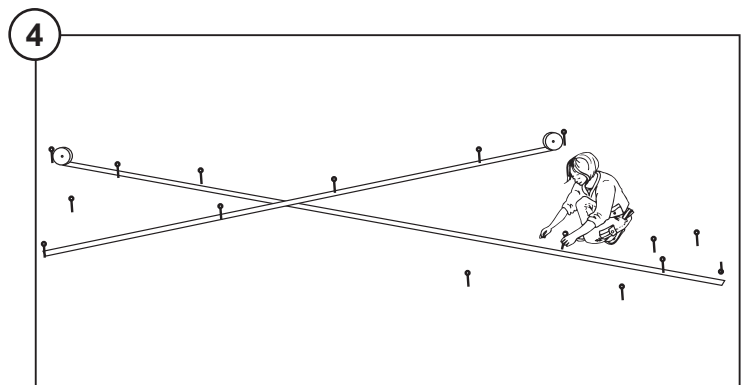
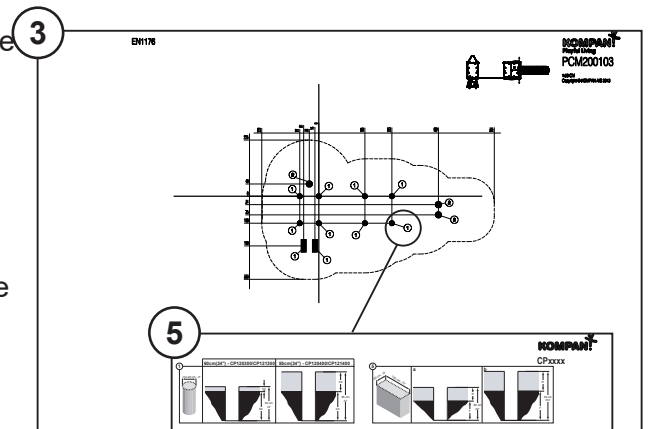
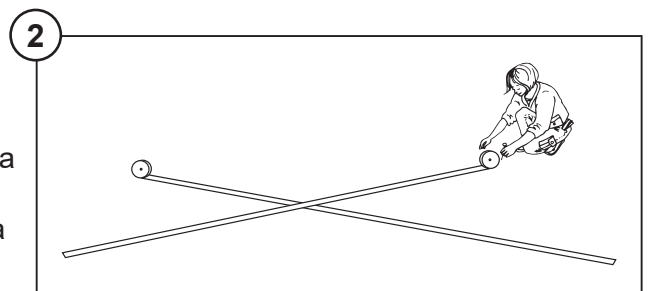
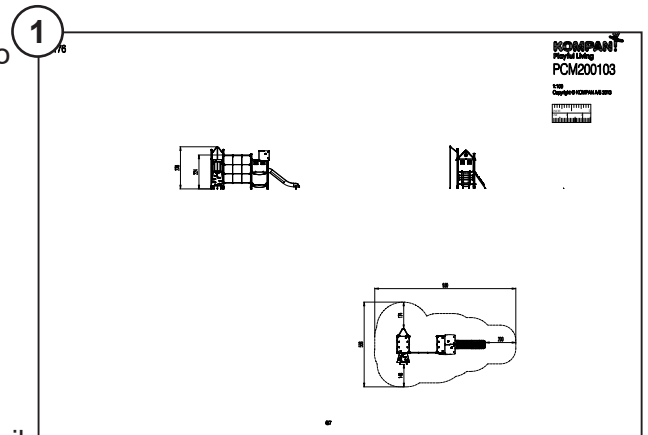
I disegni si trovano nell'ultima pagina della 'Guida del prodotto'. Se si utilizza una ruspa, è una buona idea combinare diversi scavi di fondazione in un unico sbancamento.

Assicurarsi che le estremità delle linee X e Y siano state marcate prima di rimuovere il nastro per consentire lo scavo. È importante essere in grado di controllare e assicurarsi che il sistema sia posizionato correttamente durante l'installazione.

3 - Fori per installazione in-ground

Scavare i fori per i pali, vedere la planimetria degli scavi (5), che indica quali richiedono cemento.

Per favore consideri. Non riempire i buchi sino a che non sia completato il montaggio e l'intera struttura non sia a piombo e a livello.

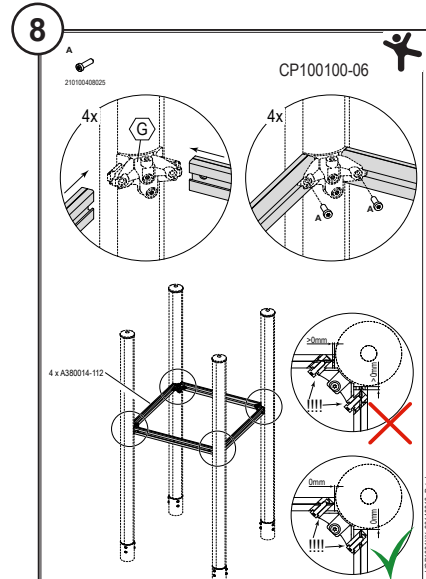
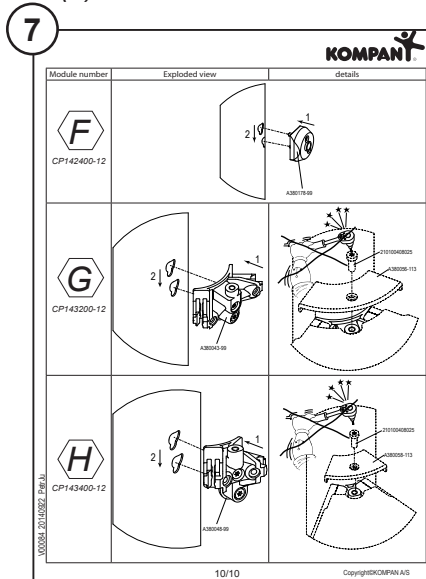
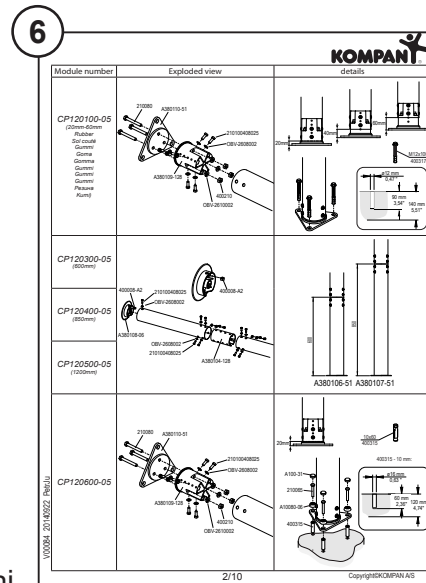


4 - Pali

Installare i piedi di fondazione sui pali, secondo le istruzioni di installazione (6) e disporre i pali nei fori corretti.

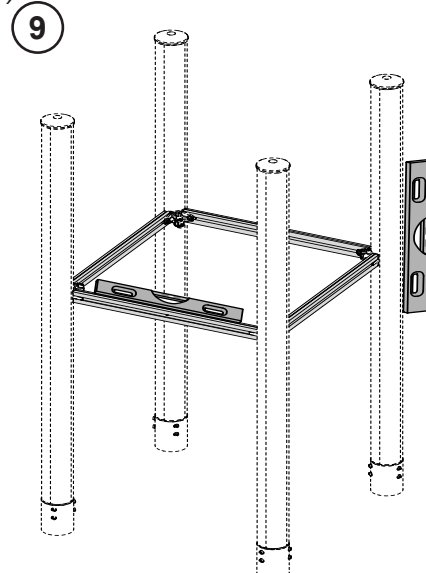
5 - Connettori per i pavimenti

Installare i connettori per i pavimenti per inserire (7) e assemblare le cornici del pavimento secondo le istruzioni di installazione. (8)



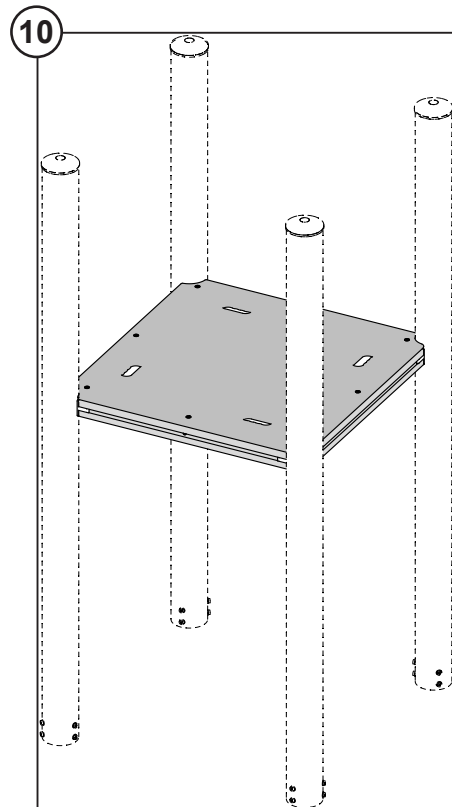
6 - Livellamento della struttura

Livellare la struttura verticalmente che orizzontalmente(9)

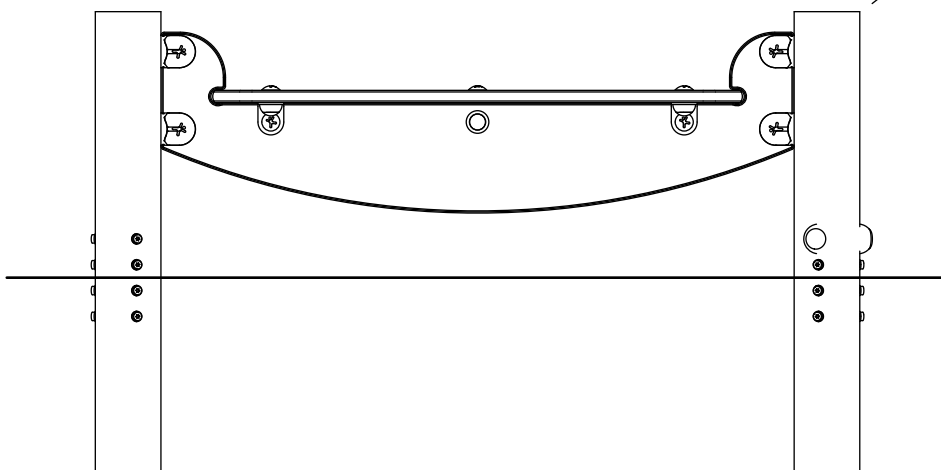
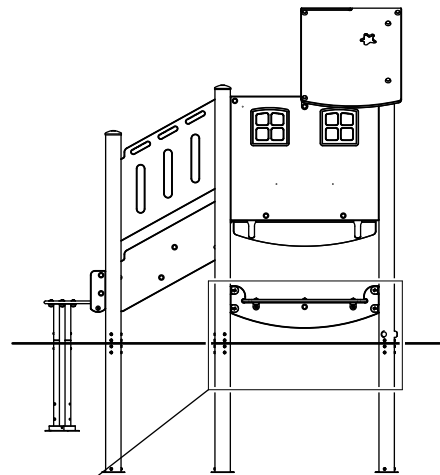


7 - Installazione completa del pavimento.

Proseguire nel montaggio della pavimentazione secondo le istruzioni d'installazione.(10)

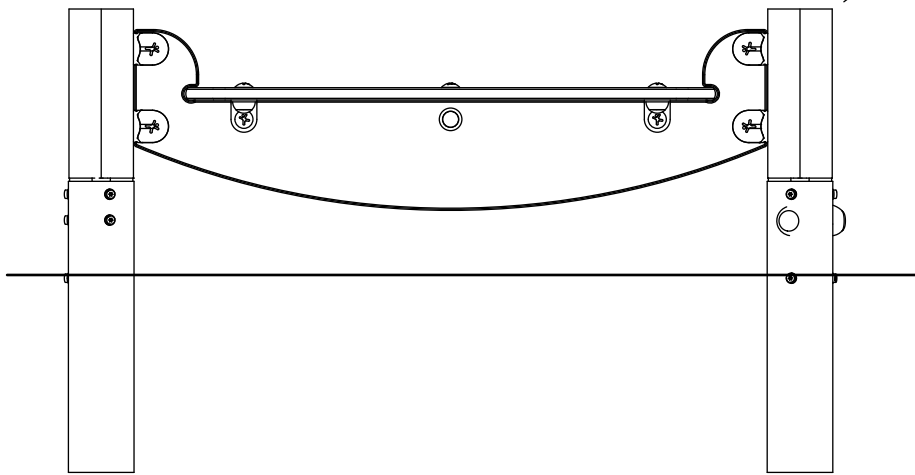
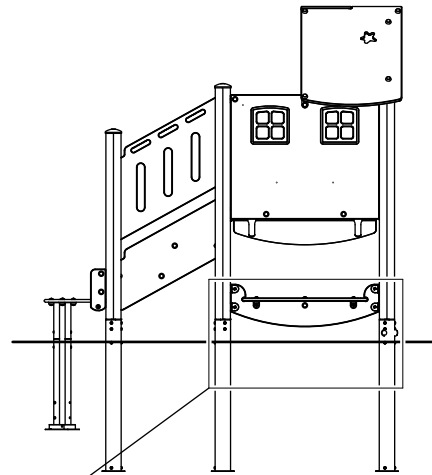


7a - Livello terra per montanti in metallo, installazione inground



Cima di superficie di sicurezza

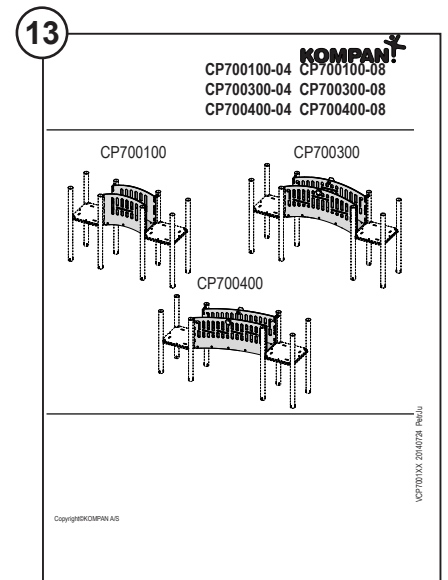
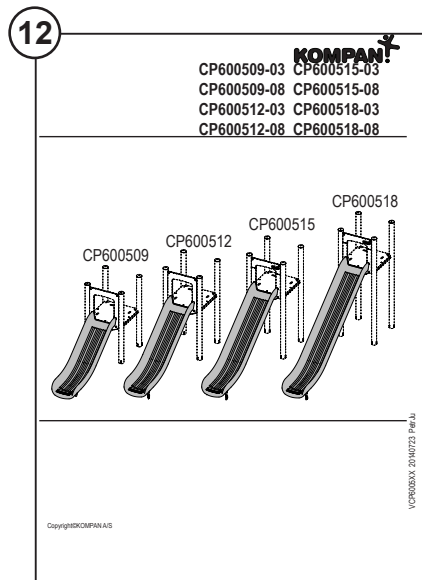
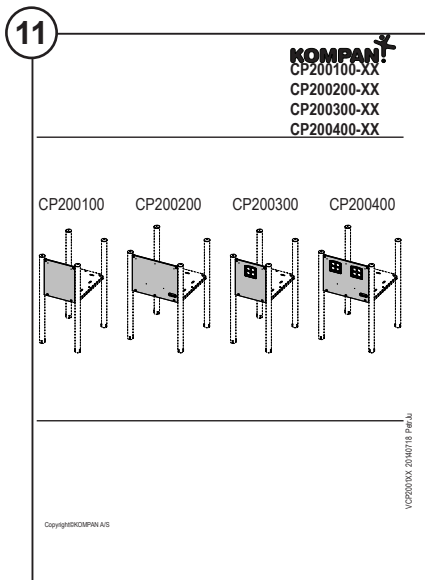
7b - Livello terra per montanti in legno, installazione inground



Cima di superficie di sicurezza

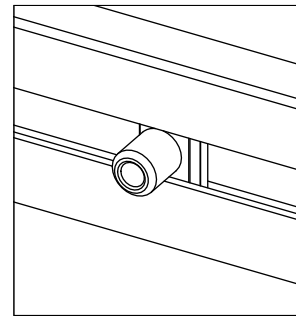
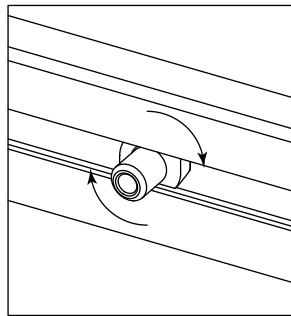
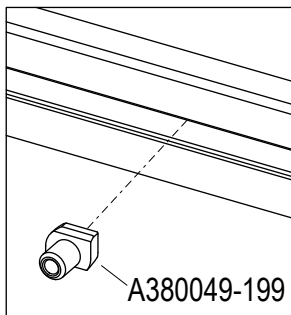
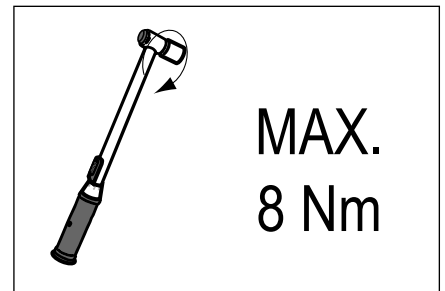
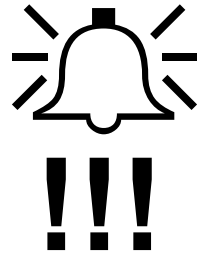
8 - Assemblaggio dei moduli.

Installare ogni modulo secondo le istruzioni d'installazione. Seguire le istruzioni d'installazione pagina per pagina. (11,12,13,...)

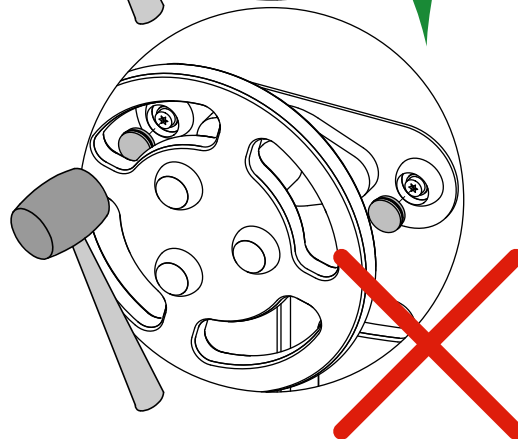
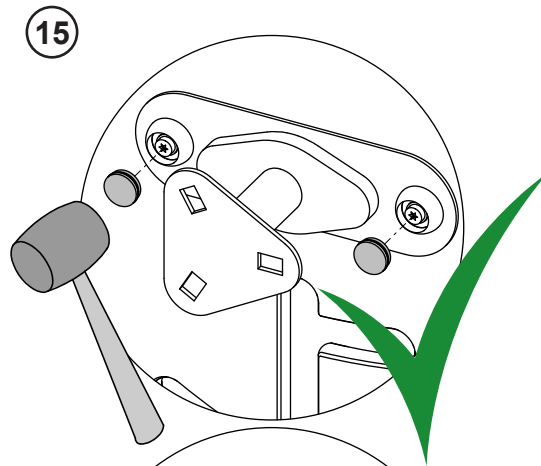
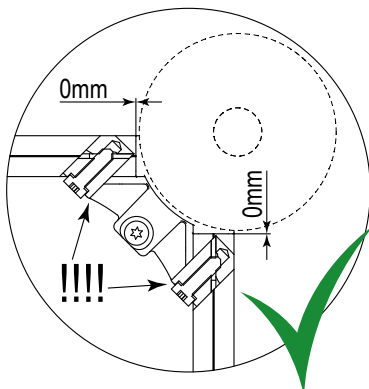
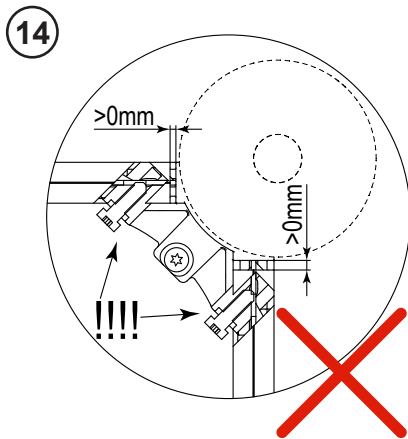


8a - Dettagli importanti

Per le connessioni con T-Nut A380049-199 usi un momento massimo di 8Nm!!!



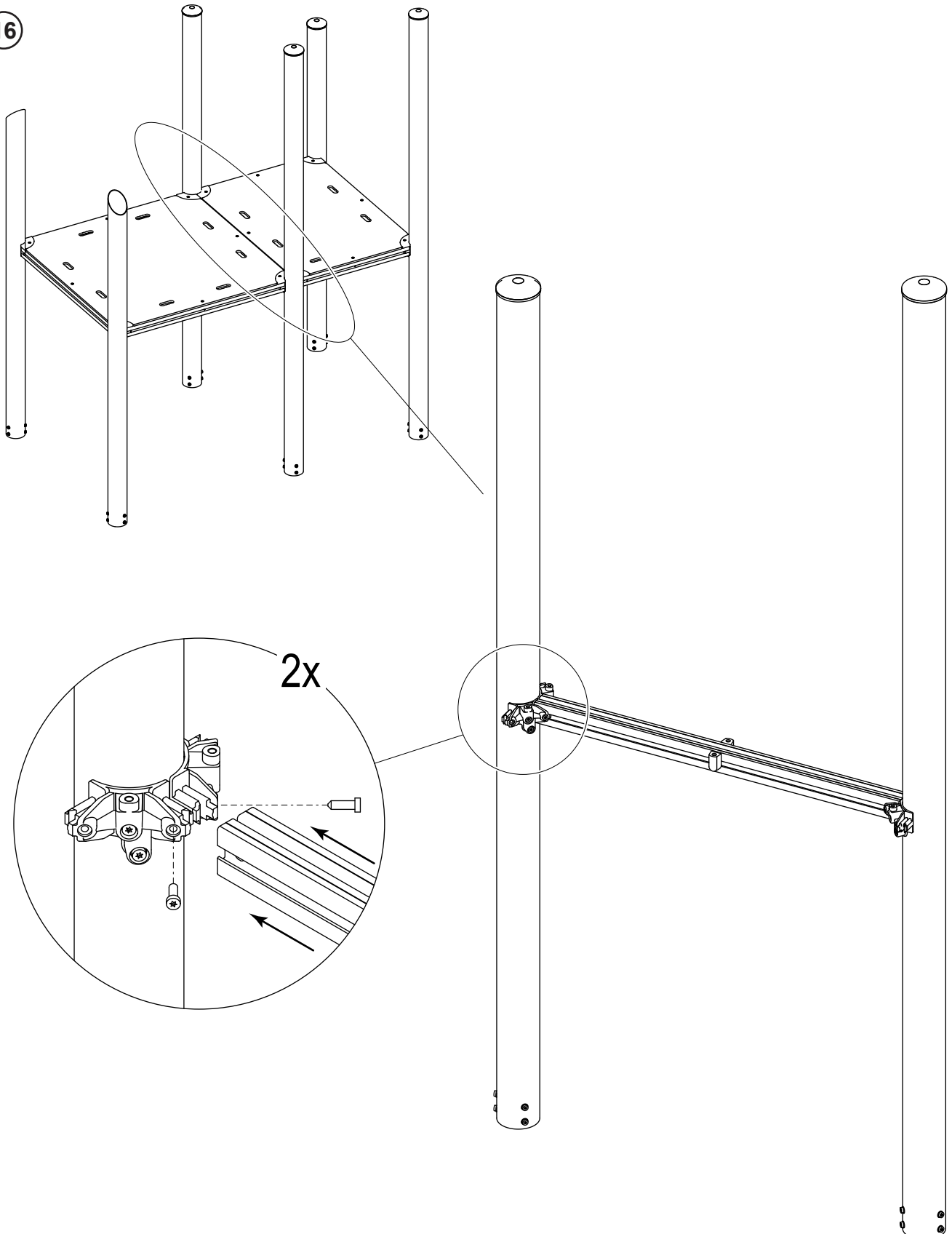
Presti particolare attenzione ai dettagli che mostrano l'installazione corretta e scorretta. (14, 15,...)



8b - Piano per l'installazione del pavimento

Quando due torri sono collegate, assicurarsi di unire prima i pali centrali con due profili. Continuare poi con il resto dell'installazione secondo le istruzioni. (16)

16

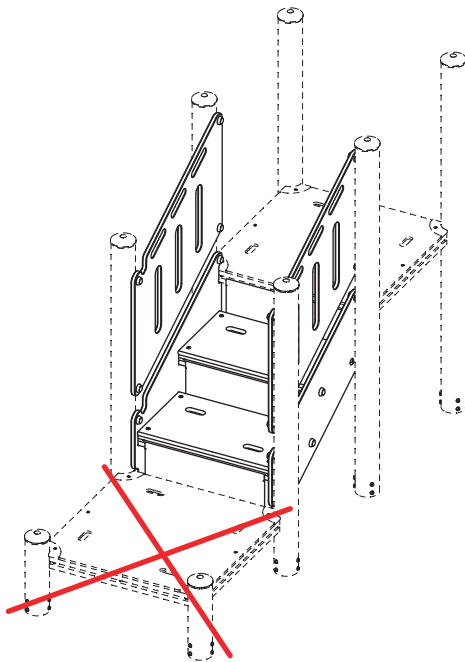


8c - Installazione delle scale (CP500300&CP500400)

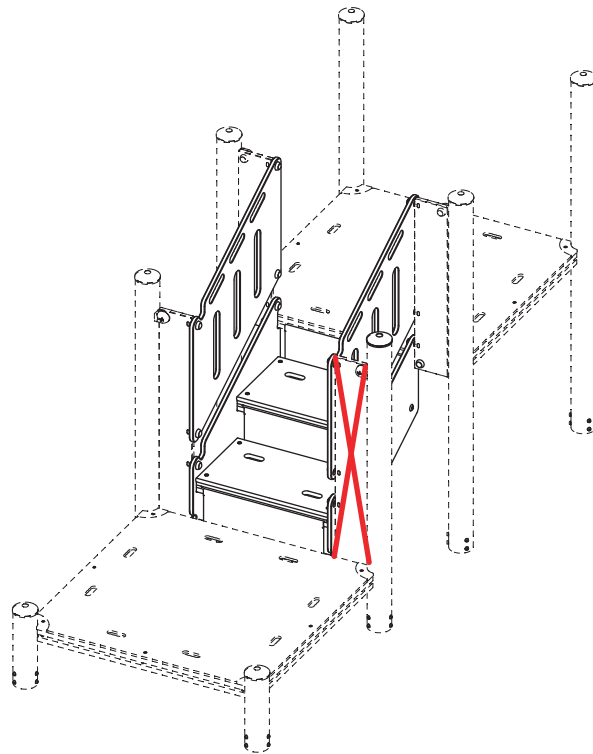
Per un'installazione facile e soddisfacente delle scale (CP500300 and CP500400) è essenziale seguire le istruzioni passo a passo. Le piattaforme inferiori non possono essere montate prima dell'installazione delle scale sulla torre. (17)

Per una facile installazione delle scale sulla torre grande, è necessario installare un solo pannello CP402200. L'altro pannello sarà montato durante l'installazione del modulo delle scale. (18)

17



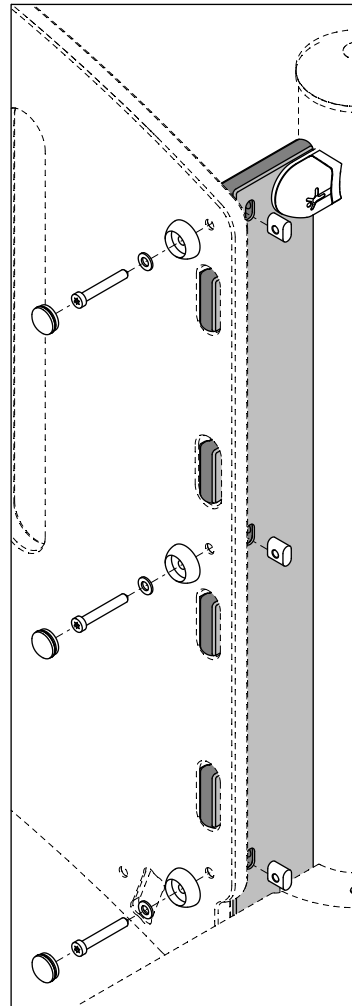
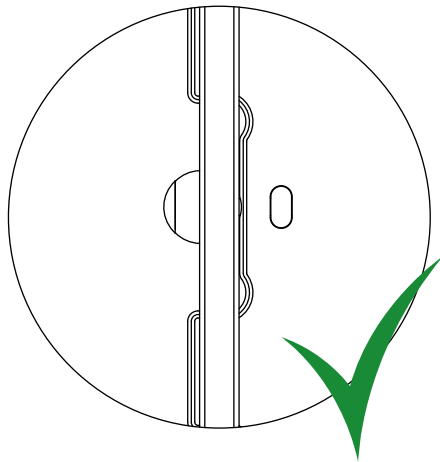
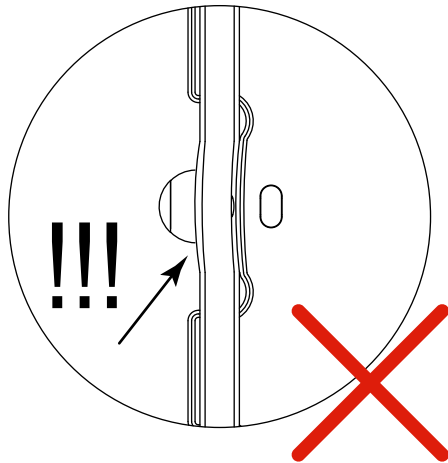
18



8d - Dettagli importanti

Verificare che non vi sia nessuna deformazione nei pannelli quando si stringono le giunture con A400334!!! (19)

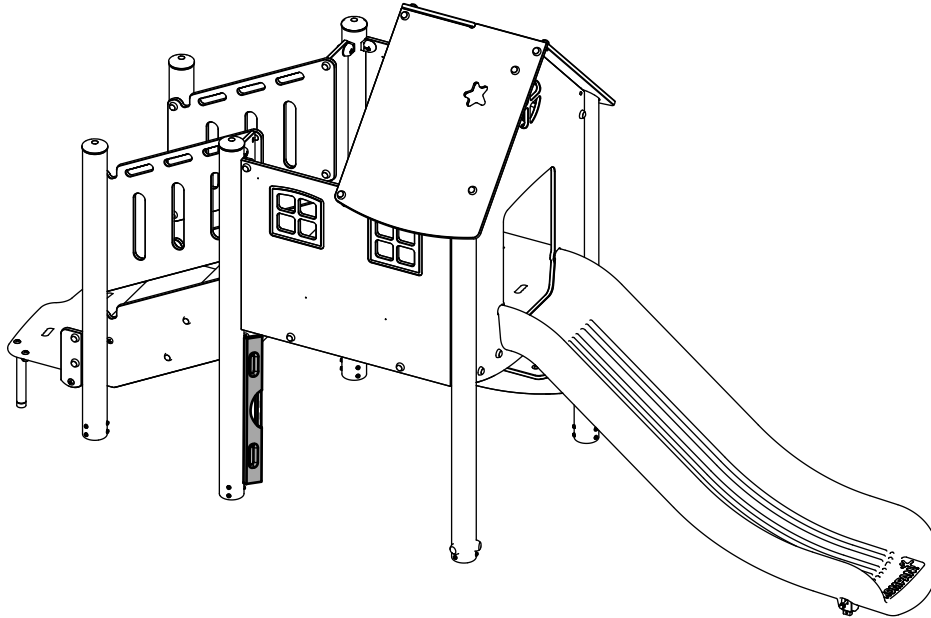
19



9 - Controllare di nuovo il livellamento della struttura.

Una volta installati tutti i moduli, verificare che il piano e i pali siano ancora a livello. (20)

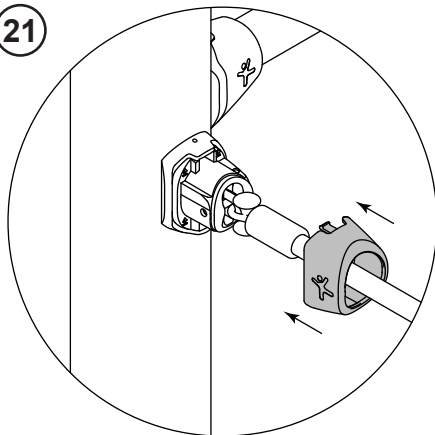
20



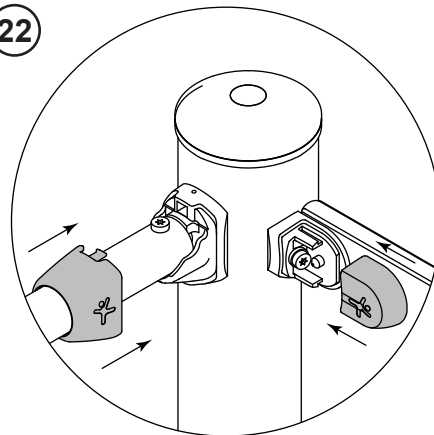
10 - Installare tutti i coperchi e i Do-nut.

Installare tutti i coperchi e i Do-nut. (21,22,23) Non dimenticare di rimuovere tutte le etichette dai pannelli, parti in acciaio, pali.... (24)

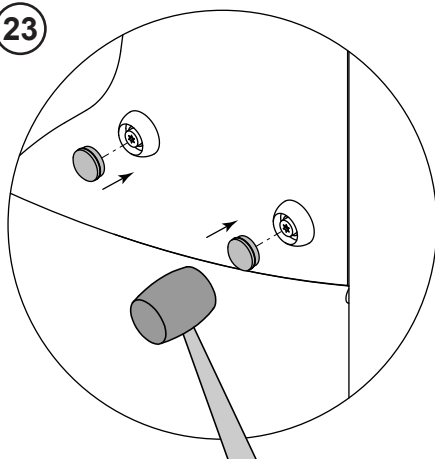
21



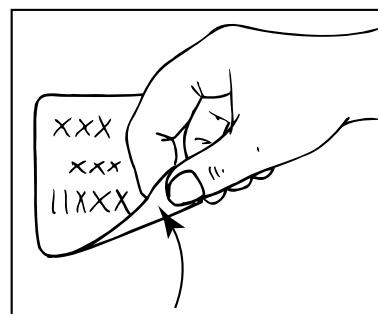
22

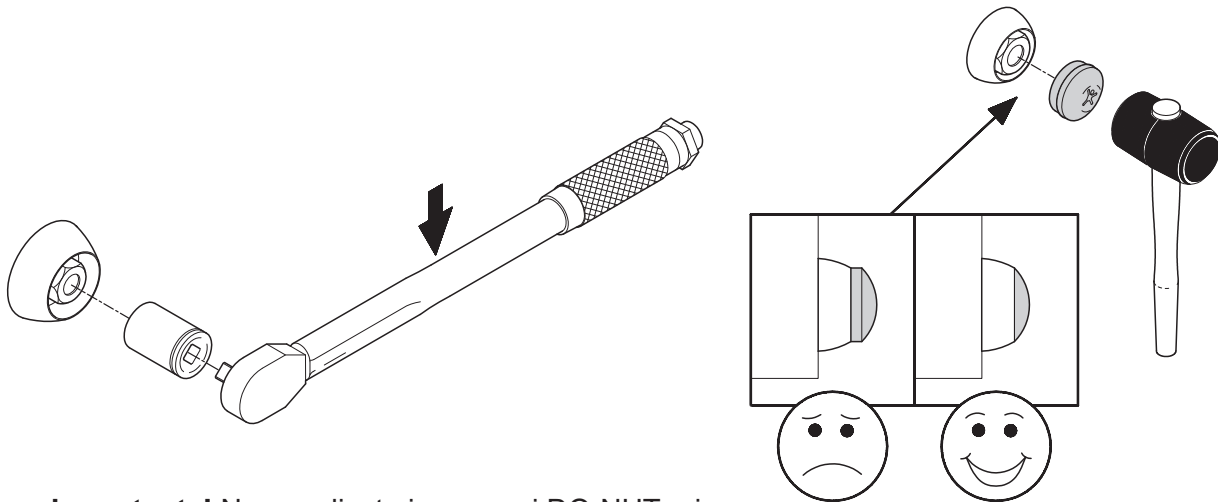


23

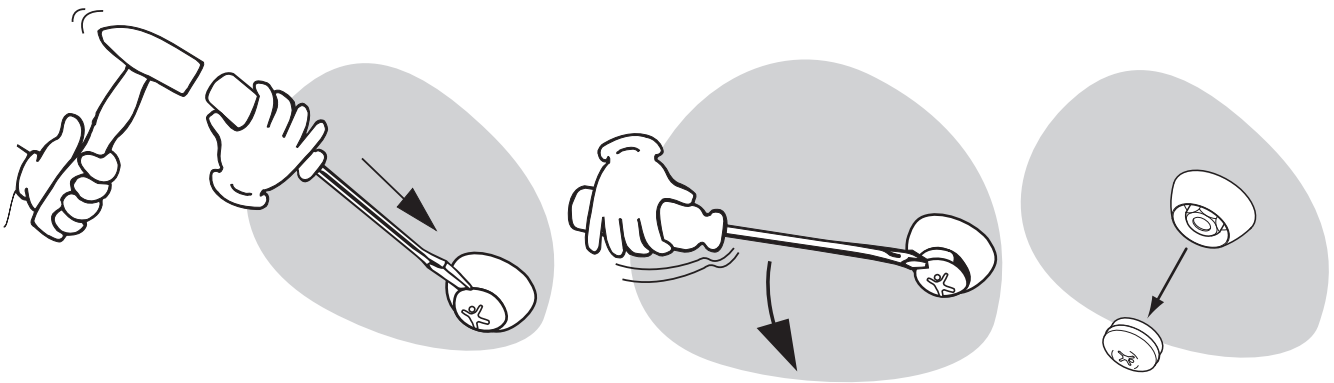


24





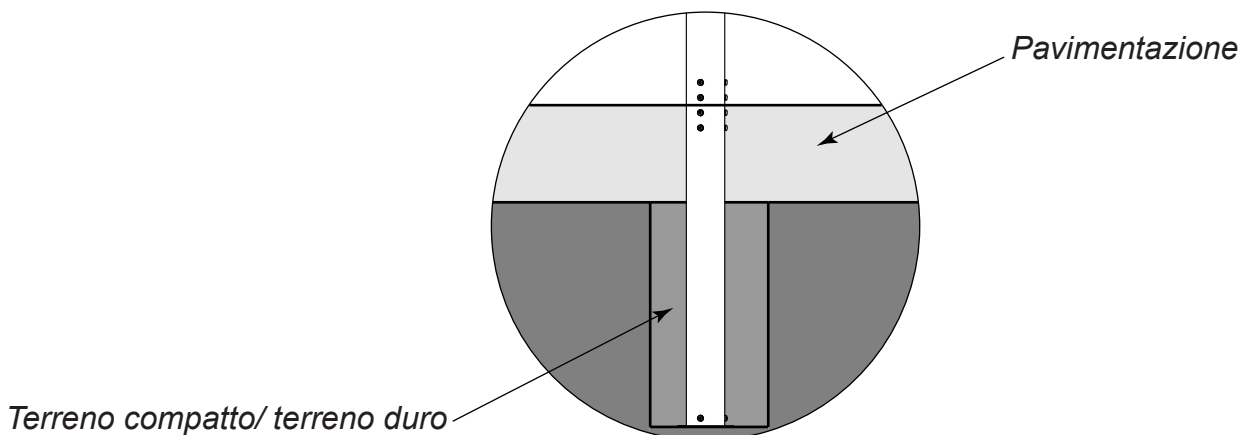
Importante! Non applicate i cappucci DO-NUT prima di aver montato tutto il Peschiereccio ed aver stretto bene tutti i bulloni.

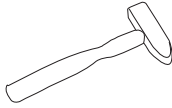
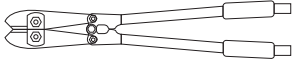


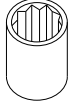
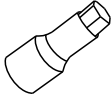
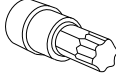
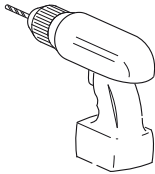
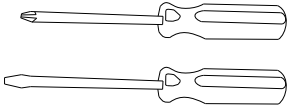

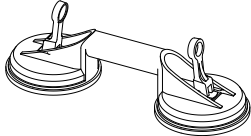

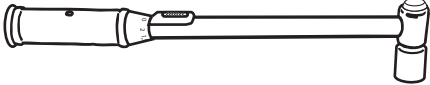
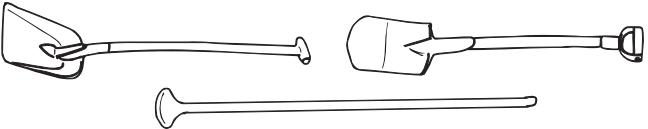


11 - Superficie di sicurezza

Riempire la zona di sicurezza con materiale di pavimentazione sino al livello marcato sull'elemento di fondazione. (25)

25



Herramienta	Tamaño	
Martillo		
Cizalla		
Nivel		
Llave de trinquete		
Juego llaves de tubo	13 mm 16 mm 17 mm 19 mm	
Llave hexagonal	6 mm	
Punta Torx	Tx40	
Juego brocas + Taladro	Ø10mm Ø14mm	
Destornillador		
Cinta métrica		
Ventosas		
Cuerda		
Llave dinanométrica	8 Nm	
Pala para mover tierra+ Pala para cavar+ Compactador		

1 - Cómo empezar.

Comience situando las zapatas y compruebe que el espacio necesario, incluida la zona de seguridad, está disponible.

El plano de la zona de seguridad lo encontrará en el Manual del Producto . (1)

2 - Medición

Coloque dos cintas métricas en forma de cruz en la zona donde se va instalar la plataforma (2). Utilice el dibujo en planta del Manual del Producto para localizar el punto donde las cintas métricas (X e Y) deben cruzarse. Asegúrese de que las dos cintas están colocadas perpendicularmente.

Mida los puntos centrales indicados para los cimientos de toda la plataforma. Marque estos puntos con clavijas, destornilladores o similar (4). A continuación, compruebe que la zona de seguridad alrededor de la plataforma es la correcta.

En el dibujo del plano, la zona de seguridad se indica con una línea de puntos alrededor de la plataforma. El dibujo muestra una zona sombreada con un número (1, 2, 3, 4, 5, 6, etc.) en cada uno de los puntos marcados. La zona sombreada indica el tamaño de los cimientos.

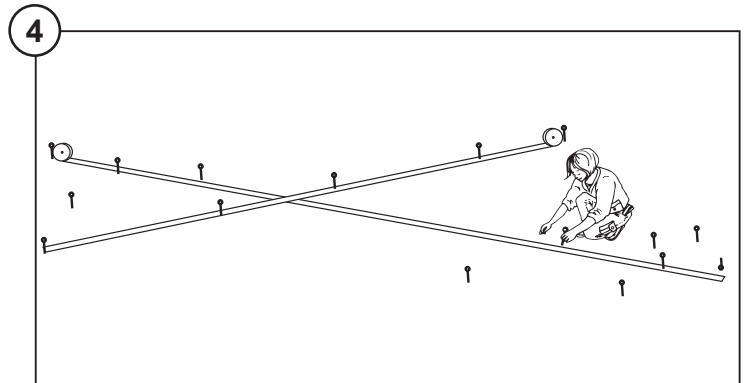
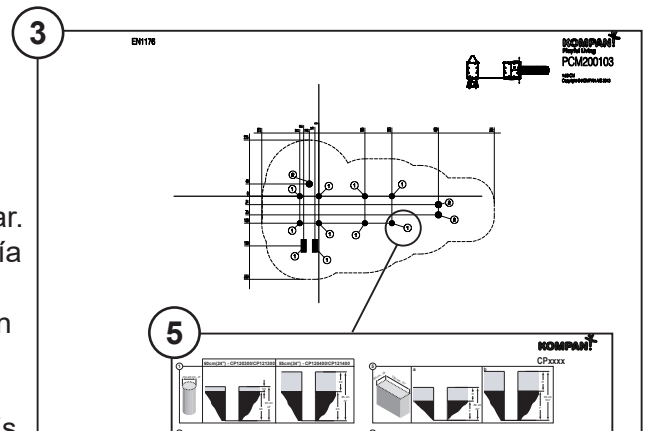
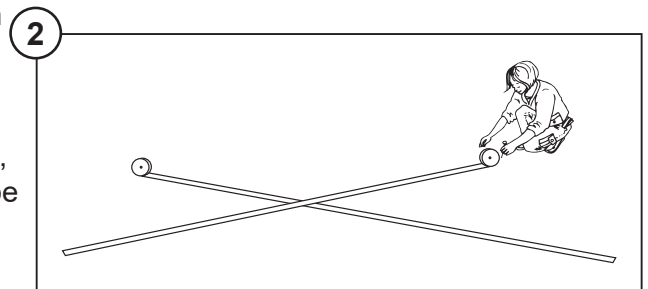
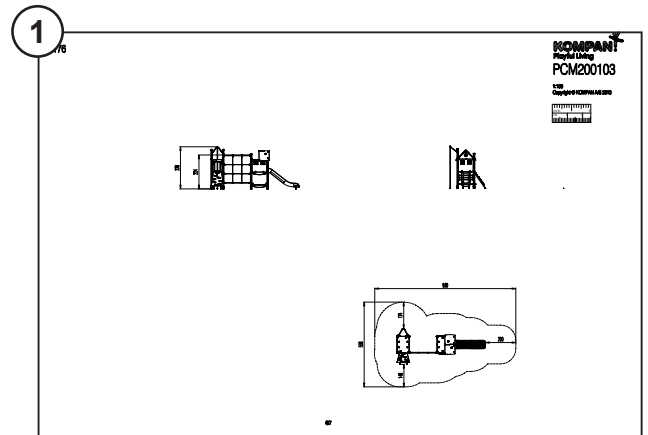
Cada zona sombreada está numerada, y cada número corresponde a un dibujo que muestra el tamaño y la profundidad del hoyo y la cantidad de hormigón a utilizar. Los dibujos se encuentran en la última página de la Guía del Producto. Si se utiliza la excavación mecánica, es mejor combinar los diferentes hoyos de los cimientos en una sola excavación. Asegúrese de que los extremos de la línea X y la línea Y han sido marcados antes de retirar las cintas métricas para permitir la excavación. Es importante verificar y asegurarse de que la plataforma está en la posición correcta en toda la instalación.

3 - Hoyos para la instalación en suelo blando

Cave los hoyos para los postes, consulte la excavación del plano (5), donde se indican las actividades que requieren hormigón.

Muy importante.

No rellene los hoyos hasta que se haya completado el montaje y toda la estructura esté a plomo y a nivel.

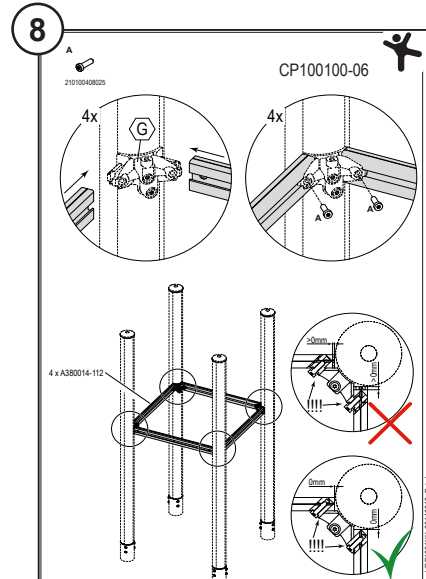
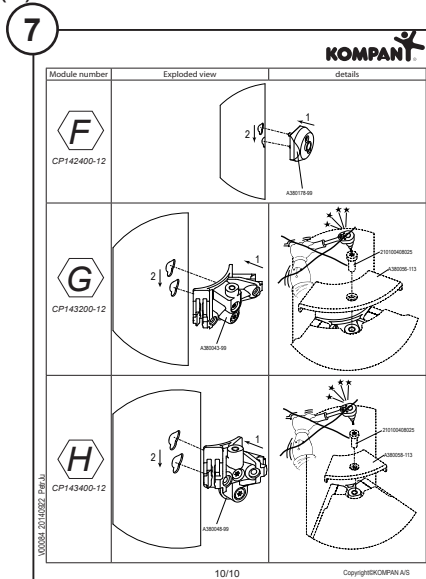
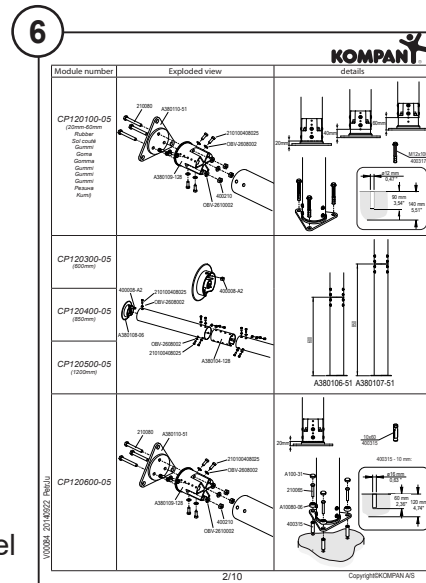


4 - Postes

Replantee las zapatas en los postes siguiendo las instrucciones de instalación (6) y coloque el poste en el hoyo correcto.

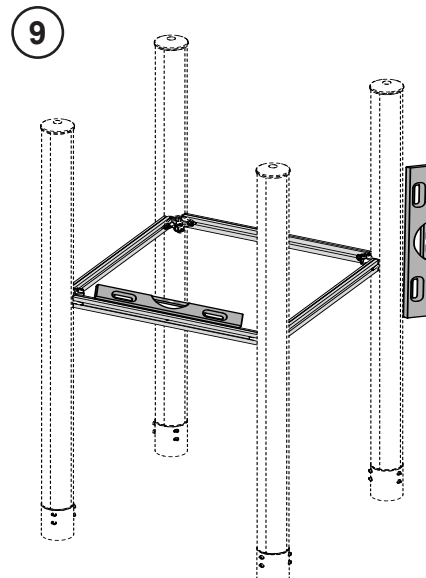
5 - Conectores de suelo

Instale los conectores de suelo en el poste (7) y monte el marco del suelo según las instrucciones de instalación (8).



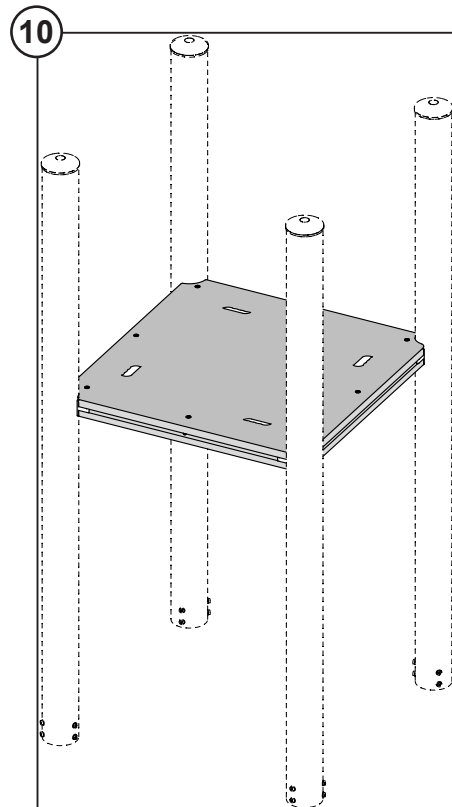
6 - Nivelar la estructura

Nivele la estructura en vertical y en horizontal (9).

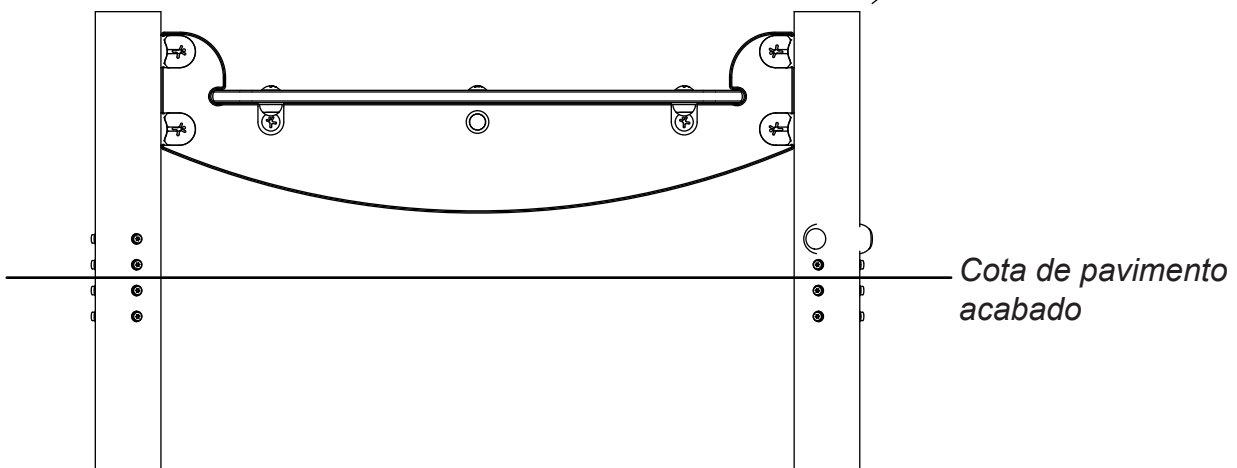
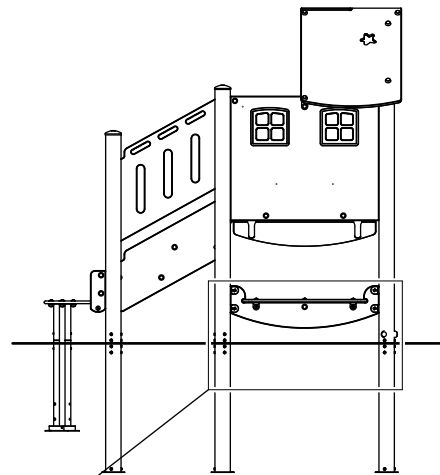


7 - Completar la instalación del suelo

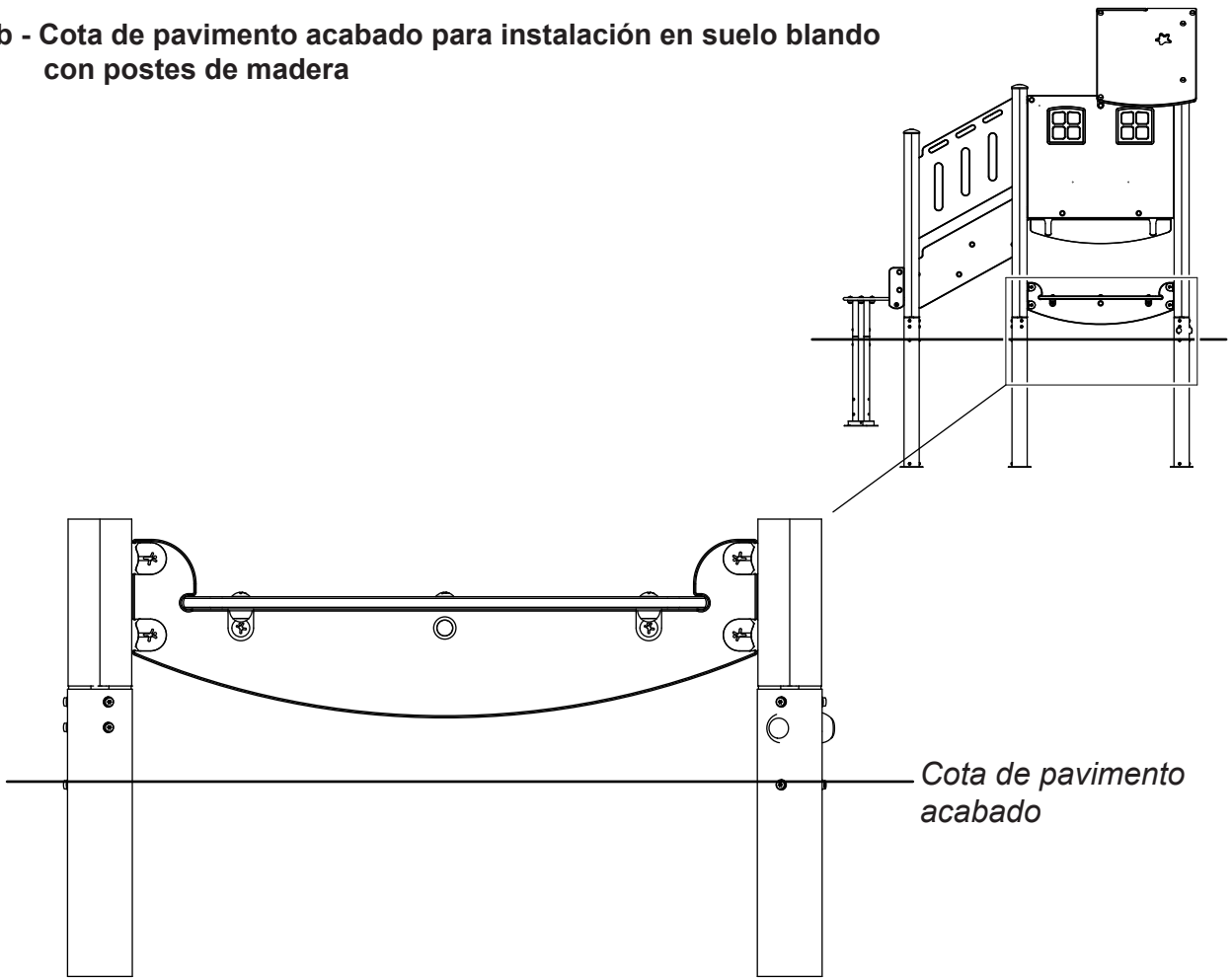
Continúe el ensamblaje del suelo siguiendo las instrucciones de instalación (10).



7a - Cota de pavimento acabado para instalación en suelo blando con postes de acero

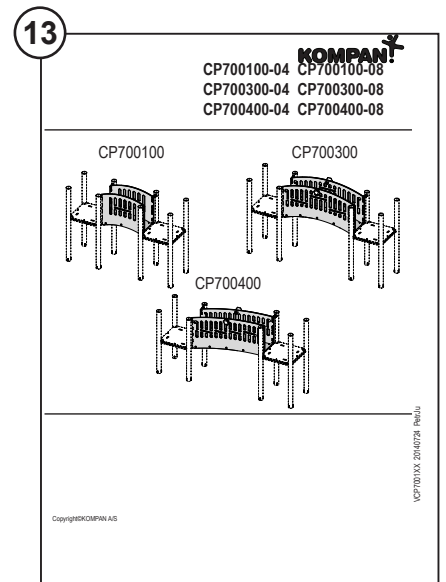
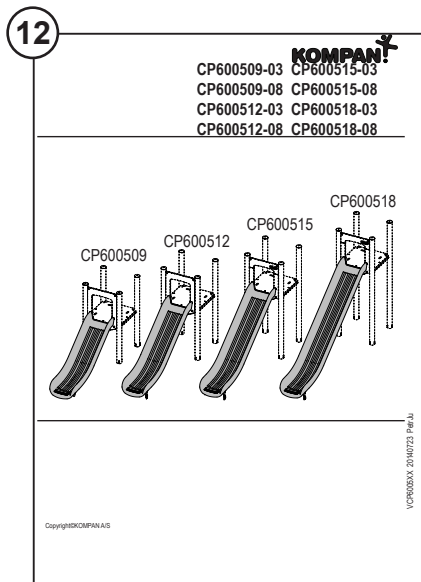
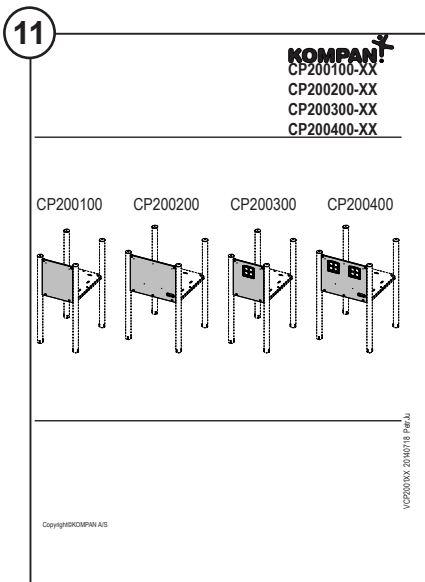


7b - Cota de pavimento acabado para instalación en suelo blando con postes de madera



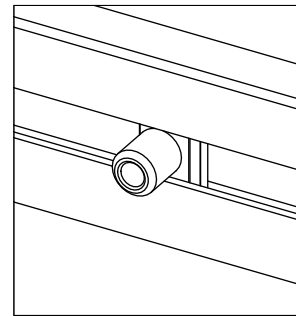
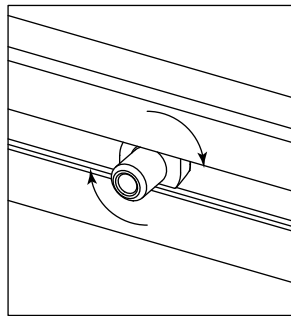
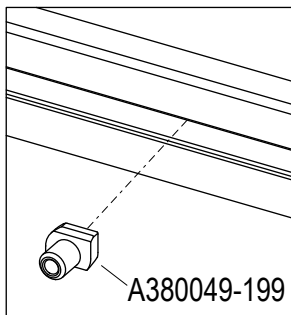
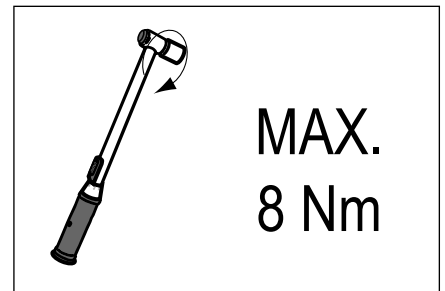
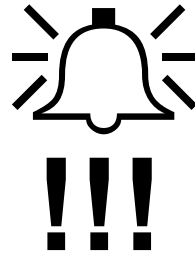
8 - Module assembly

Install each module according module installation instruction. Follow installation instructions page by page. (11,12,13,...)

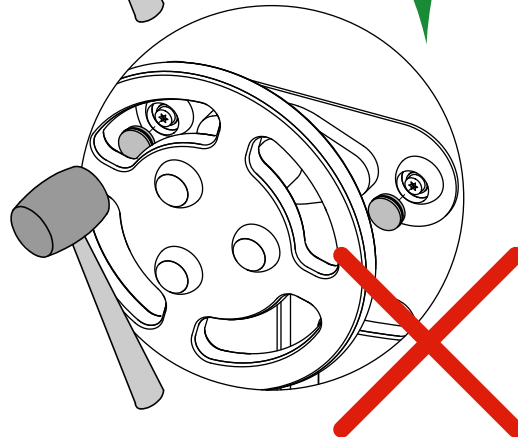
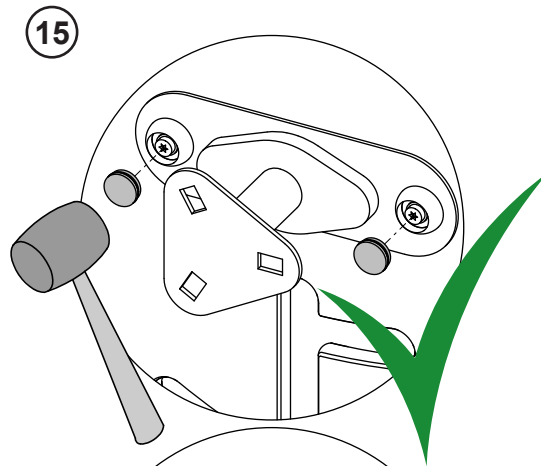
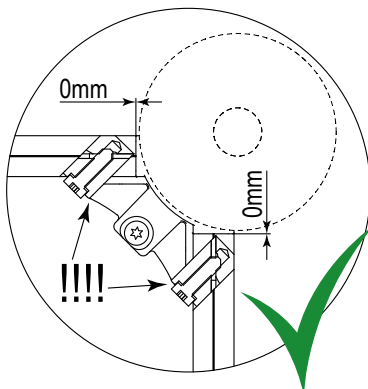
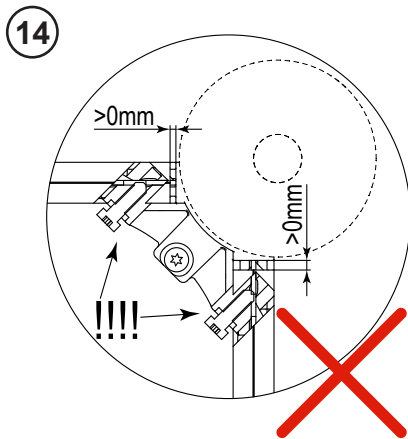


8a - Especificaciones importantes

Para la conexión con T-Nut A380049-199 utilice un par de apriete de **8Nm** máximo !!!



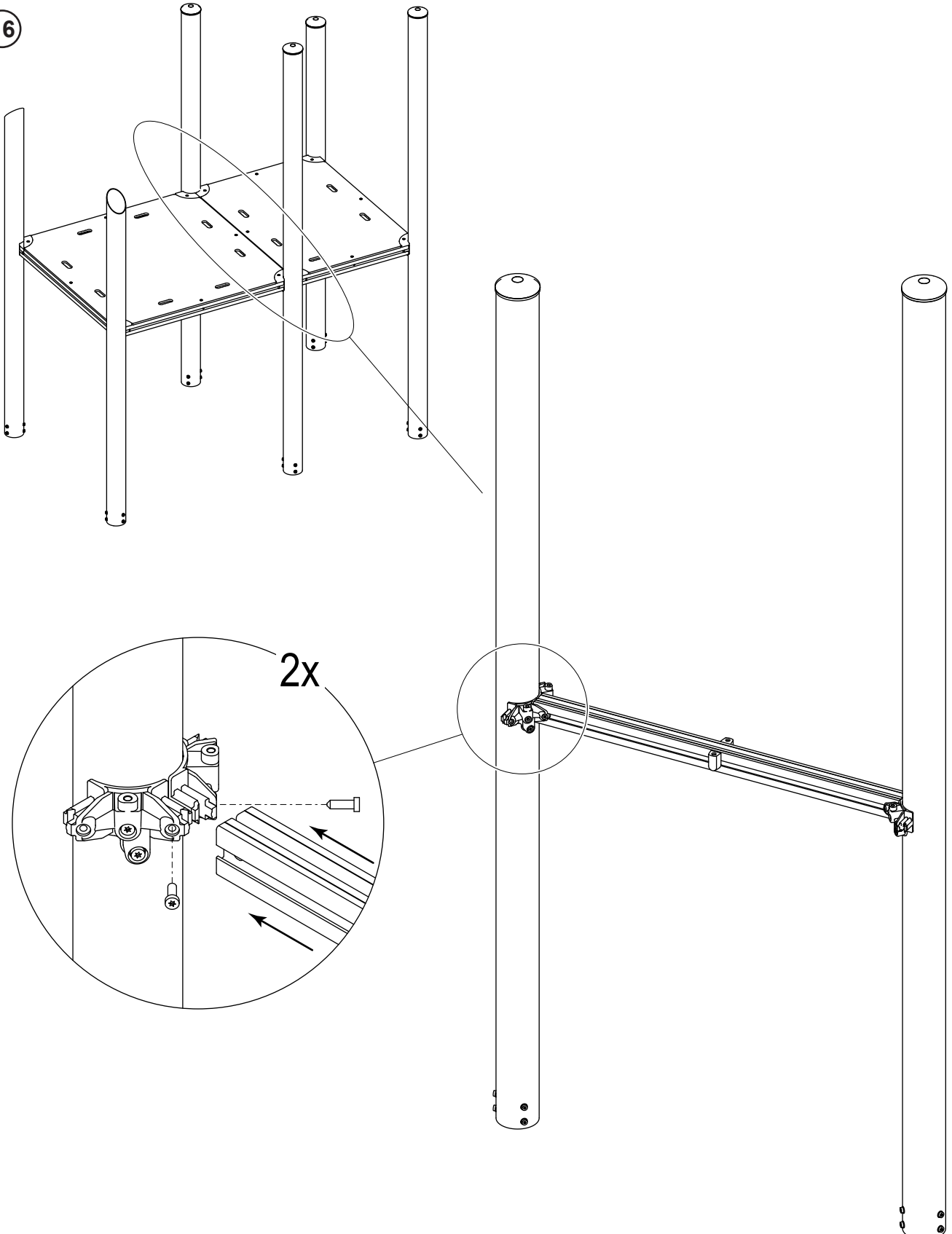
Preste especial atención a los dibujos que muestran una instalación correcta y otra incorrecta. (14, 15,...)



8b - Instalación de suelos con un lateral en común

Cuando las dos torres estén conectadas, asegúrese de ensamblar en primer lugar los postes centrales con dos perfiles. Después continúe con el resto de la instalación siguiendo las instrucciones de instalación. (16)

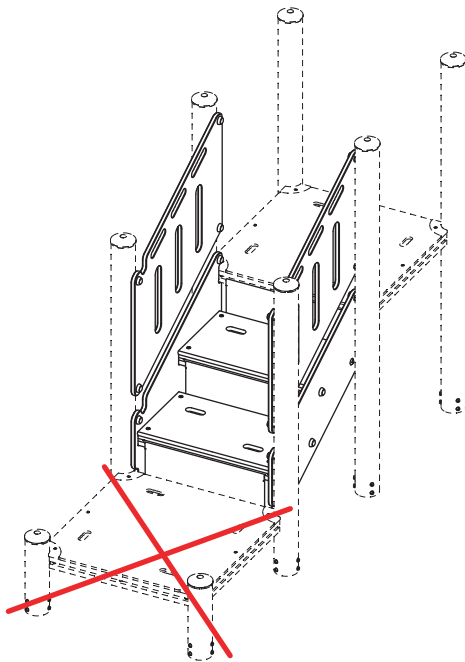
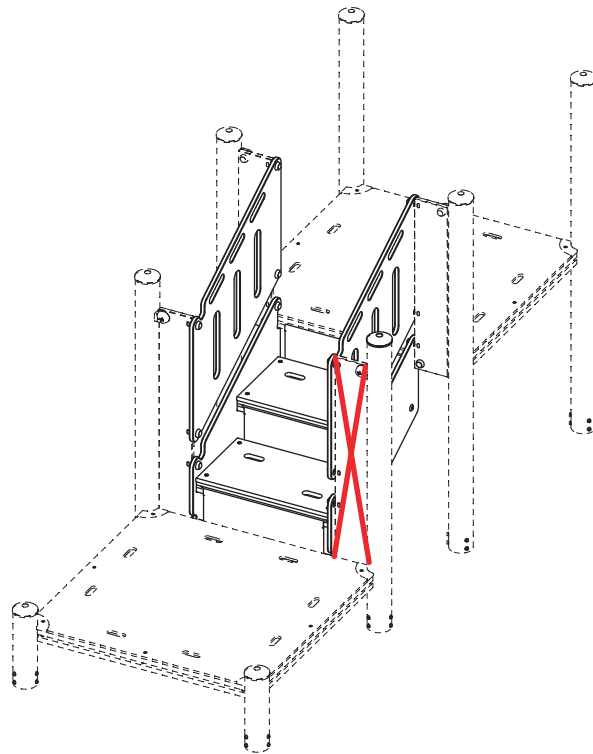
16



8c - Instalación de las escaleras (CP500300&CP500400)

Para la correcta instalación de las escaleras (CP500300 y CP500400) es esencial seguir paso a paso las instrucciones de instalación. La plataforma inferior no puede estar instalada antes que las escaleras en la torre pequeña.(17)

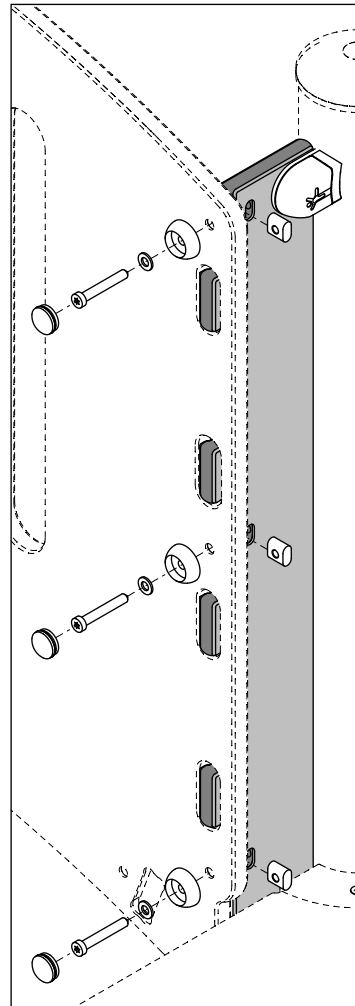
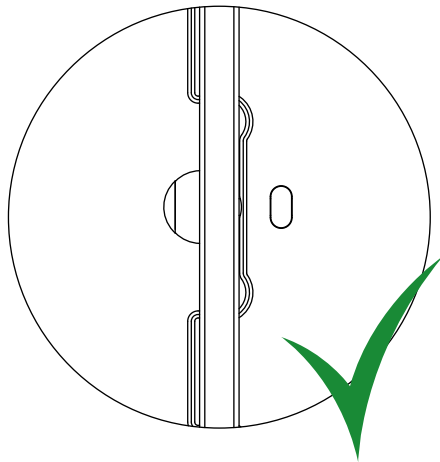
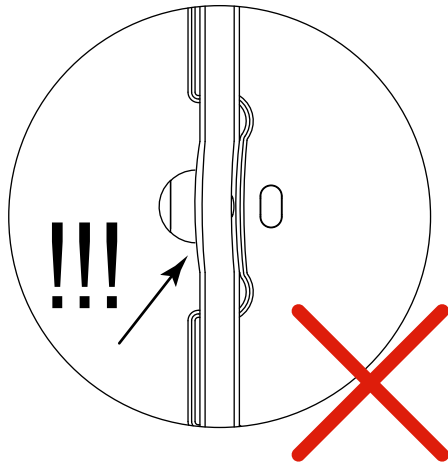
Para facilitar la instalación de las escaleras en la torre grande, es necesario instalar sólo un panel de CP402200. El otro panel se montará durante la instalación del módulo de la escalera. (18)

17**18**

8d - Especificaciones importantes

Asegúrese de que no hay deformación en el panel al apretar la conexión con A400334!!! (19)

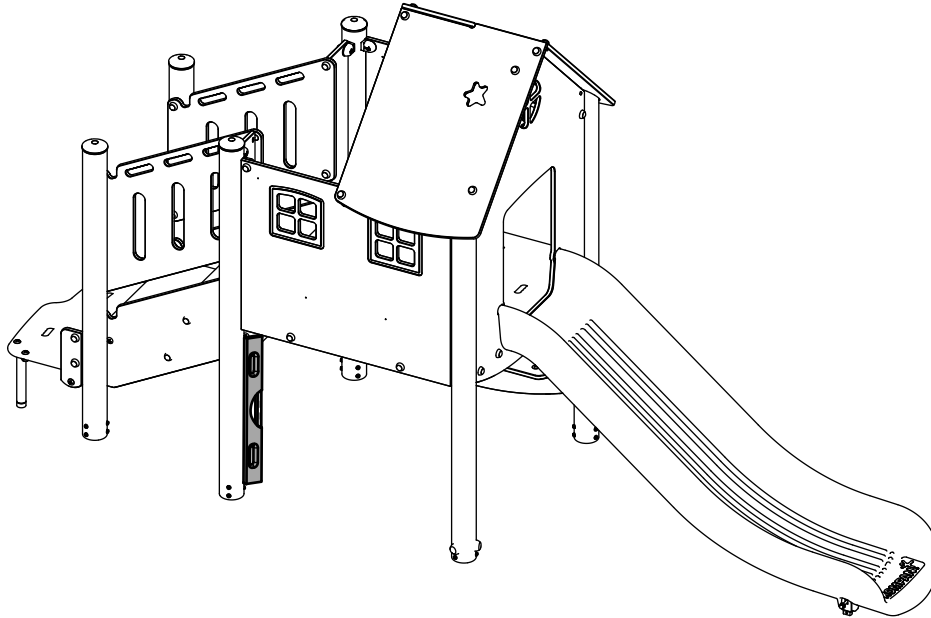
19



9 - Comprobar de nuevo el nivel de la estructura

Cuando todos los módulos estén instalados, compruebe que el suelo y los postes están a nivel. (20)

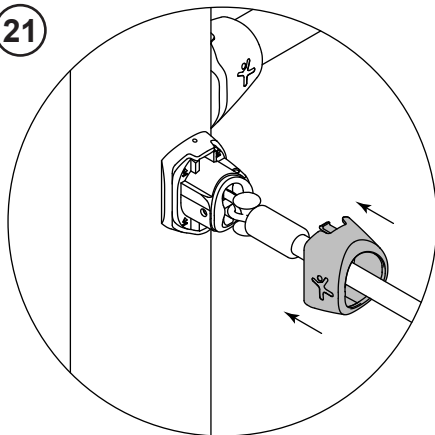
20



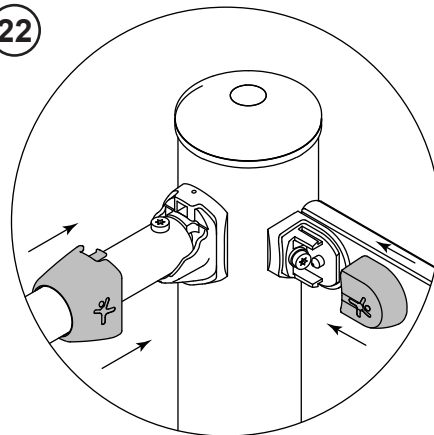
10 - Instalar todos los protectores y tapones Do-nut.

Instale todos los protectores y tapones Do-nut (21,22,23). No olvide retirar todas las etiquetas de los paneles, piezas de acero, postes.... (24)

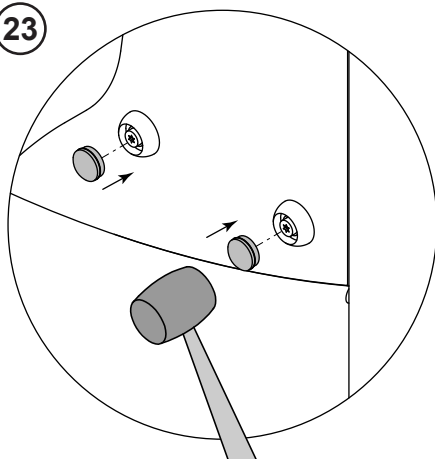
21



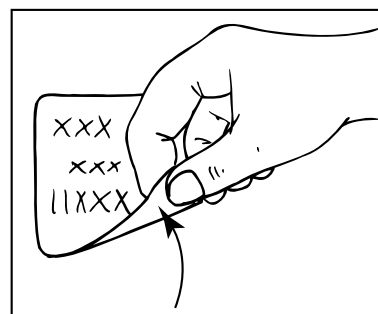
22

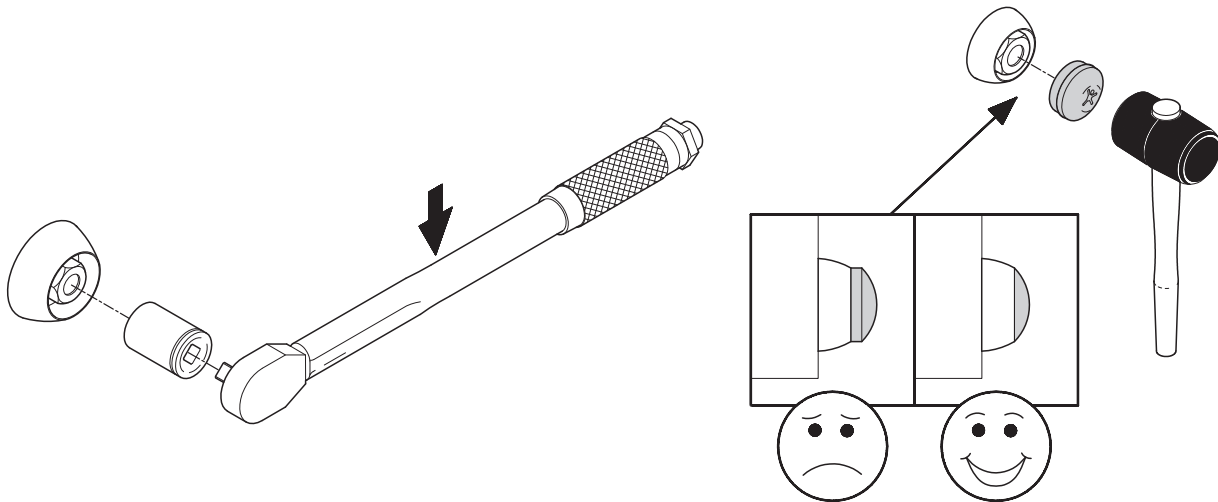


23

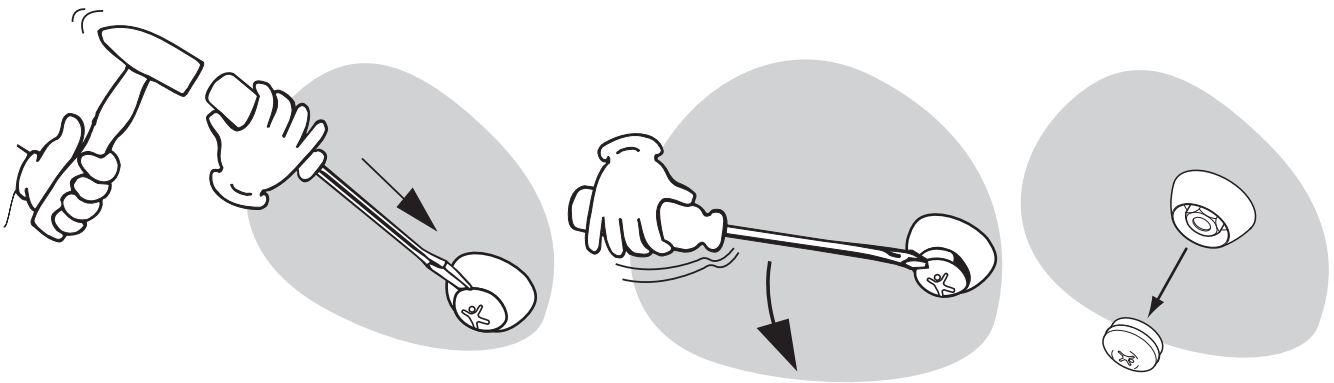


24





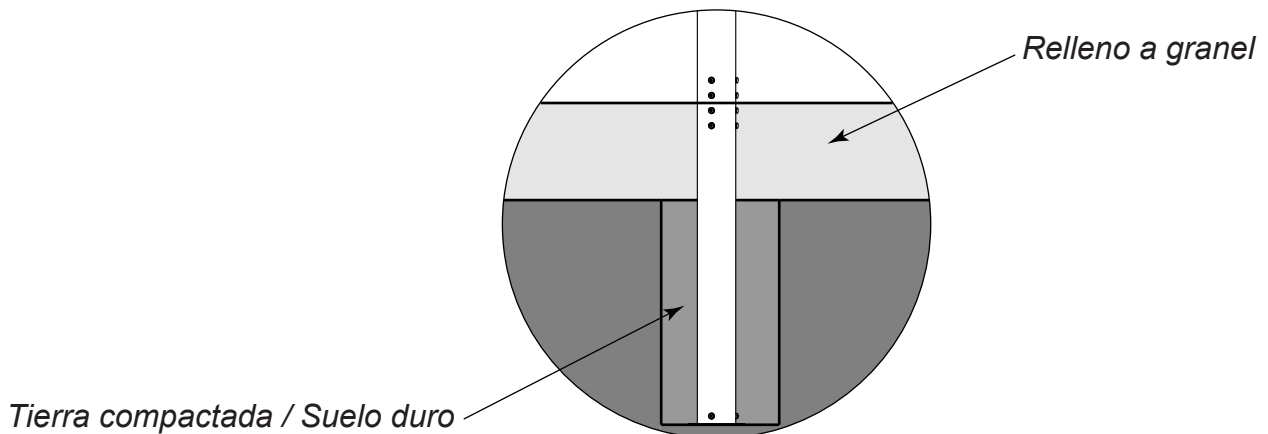
¡Importante! No coloque las tapaderas DO-NUT hasta juntar toda la combinación y fijar todos los pernos.



11 - Área de seguridad

Cubra la zona de seguridad con el material seleccionado hasta el nivel marcado en el anclaje. (25)

25



Installation af KOMPAN CORE PLATFORM system

Denne vejledning beskriver installationen af KOMPAN CORE PLATFORM-anlæg.

VIGTIGT! Læs denne vejledning, før der startes på installationen og undlad straks at åbne alle pakker.

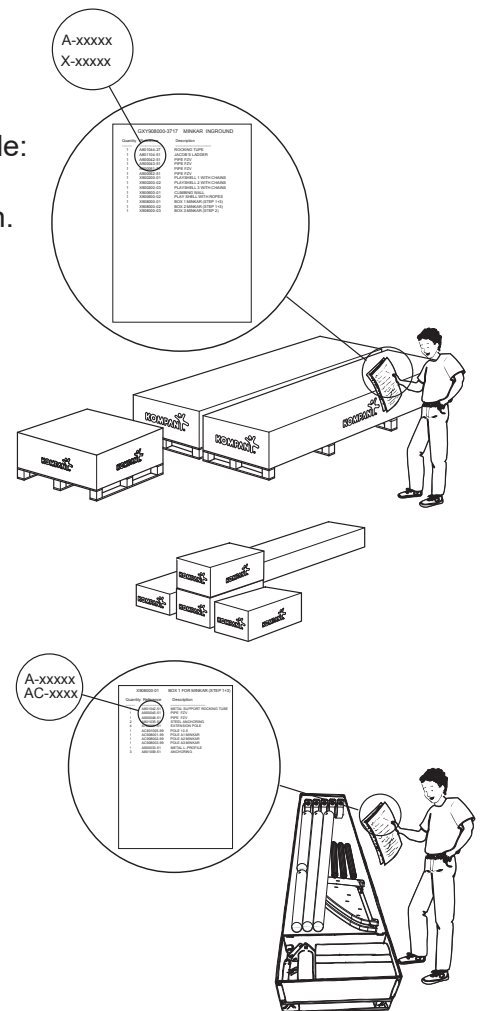
Foruden denne generelle vejledning indeholder denne mappe følgende:

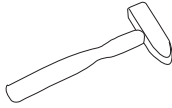
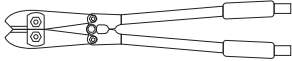


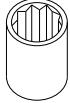
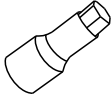
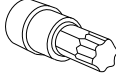
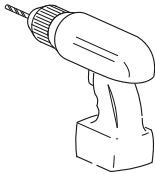
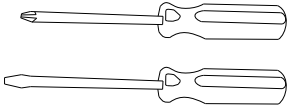

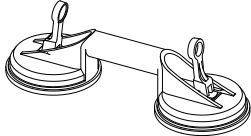

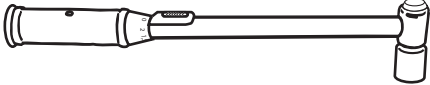
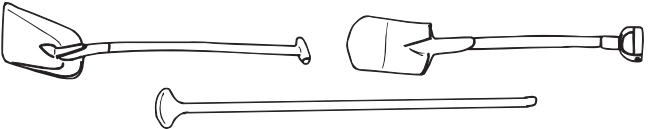
- Følgeseddel med komplet liste over alle pakker til denne installation.
- Produkt vejledning, med tegninger af det samlede produkt
- Modulvejledninger

Alle pakker har påsat labels med referencenumre.

Kontroller ved hjælp af følgeseddel, at alle pakker er til stede, inden installationen påbegyndes.

Kontroller herefter den enkeltes kasses indhold ved hjælp af indholdslisten, som er indlagt øverst i kassen.



Værktøj	Størrelse	
Hammer		
Bolt saks		
Vatterpas		
Skralde nøgle		
Toppe	13 mm 16 mm 17 mm 19 mm	
Umbraco nøgle	6 mm	
Torx bit	Tx40	
Bor + bormaskine	Ø10mm Ø14mm	
Skrutrækker		
Målebånd		
Sugekop		
Snor		
Moment nøgle	8 Nm	
Skovl + Spade + Stamper		

1 - Hvordan starter mand.

Start med at måle ud til fundamenter og kontroller, at det nødvendige areal inkl. sikkerhedsafstand er til rådighed.

Plantegningen findes i Produkt vejledningen. (1)

2 - Udmåling

Anbring to målebånd i et kryds på det område, hvor anlægget ønskes installeret. (2) Brug plantegning i produktvejledningen (3) til at finde det punkt, hvor de to målebånd skal krydse hinanden. På tegningen er punktet angivet, der hvor linie X og linie Y krydser hinanden.

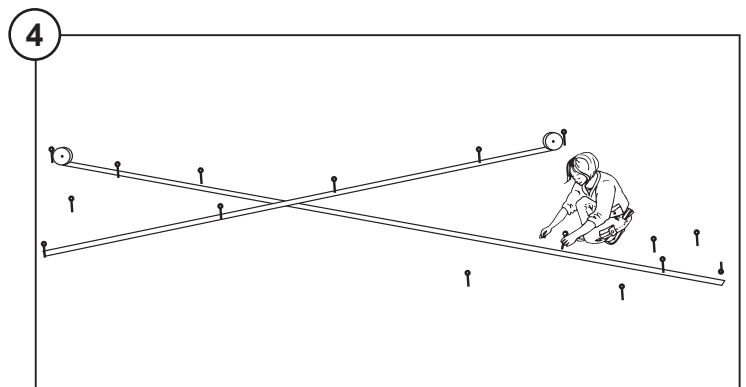
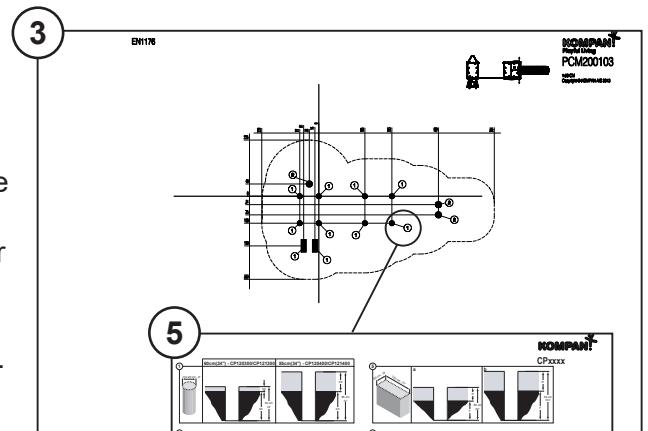
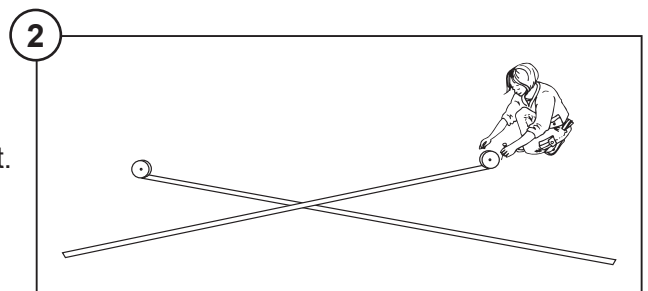
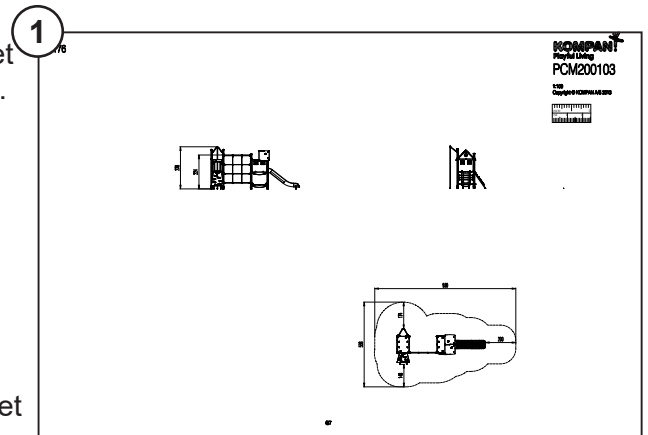
Sørg for, at de to målebånd er placeret i en ret vinkel. Mål ud til de angivne centerpunkter for fundamenter til hele anlægget. Marker disse punkter med pløkker, skruetrækkere el.lign. (4) Kontroller herefter, at sikkerhedsafstande omkring hele anlægget er overholdt. Sikkerhedsafstand er angivet med en stiplede linie rundt om anlægget på plantegningen. På plantegningen er der ved hvert af de markerede centerpunkter angivet et skraveret område, som er nummereret (1, 2, 3, 4, 5, 6 osv.). Det skraverede område angiver fundamentpladens størrelse. Hvert skraverede område er nummereret, og nummeret henviser til en tegning, der viser hullets størrelse og dybde samt krav til, hvor meget beton der skal anvendes.

Tegninger findes på den sidste side i produktvejledningen. Ved maskinel udgravning kan flere huller til fundamenter med fordel slås sammen til én udgravning. Sørg for at have anbragt nogle markeringer yderst i linie X og linie Y, inden målebånd fjernes for udgravning. Det er vigtigt at kunne kontrollere og sikre anlægget for korrekt placering under hele installationen.

3 - Fundaments huller

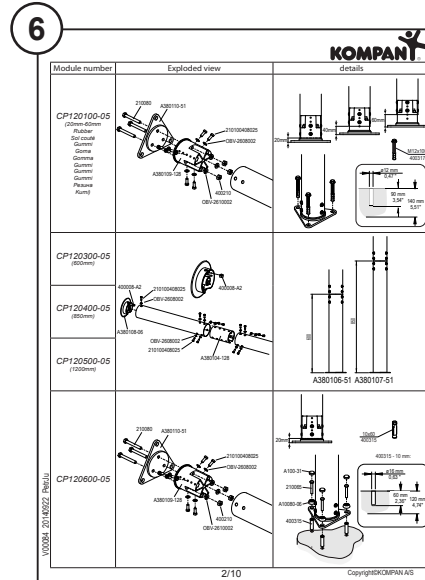
Udgrav fundamentshullerne til søjlerne, se graveplan (5), hvor det er angivet, hvilke aktiviteter der kræver beton.

Bemærk. Det anbefales at fundamentshullerne ikke fyldes, før hele anlægget er samlet og er i lod og vater.



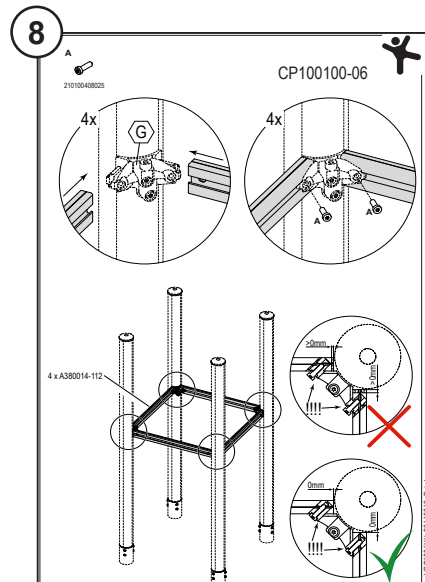
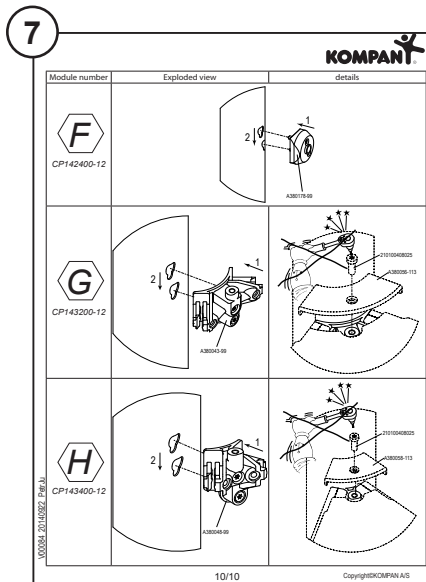
4 - Søjler

Monter fundament I henhold til montagevejledningen (6) og placer derefter søjlerne I de korrekte huller.



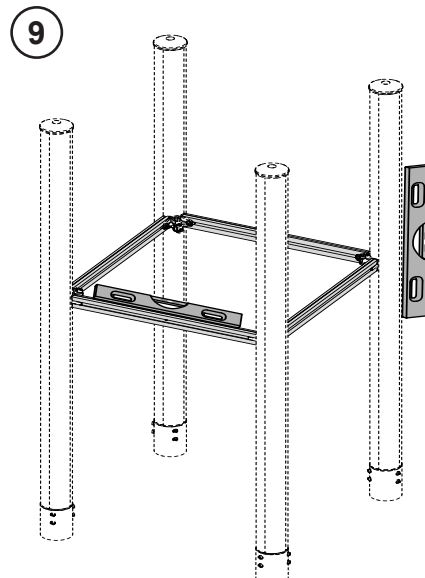
5 - Gulv beslag

Monter gulvbeslag på søjlerne (7) og monter derefter gulvrammen I henhold til montage vejledning (8)



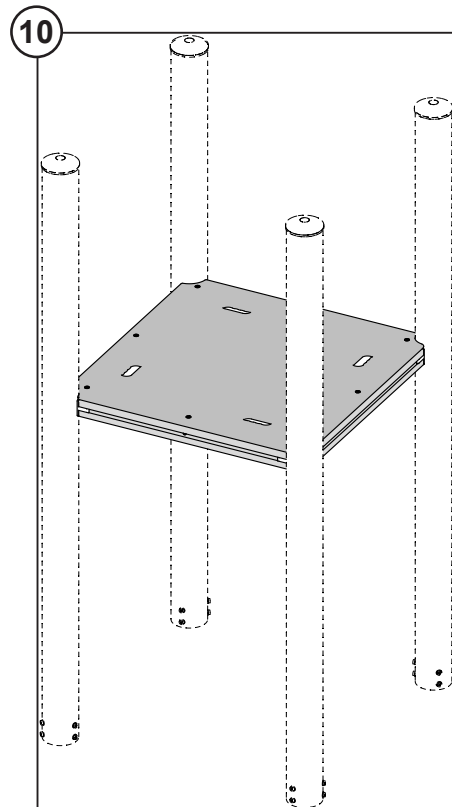
6 - Udmåling af gulvrammen

Nu sikres det at gulvrammen er placeret I den korrekte højde og at gulvrammen er I vater (9)

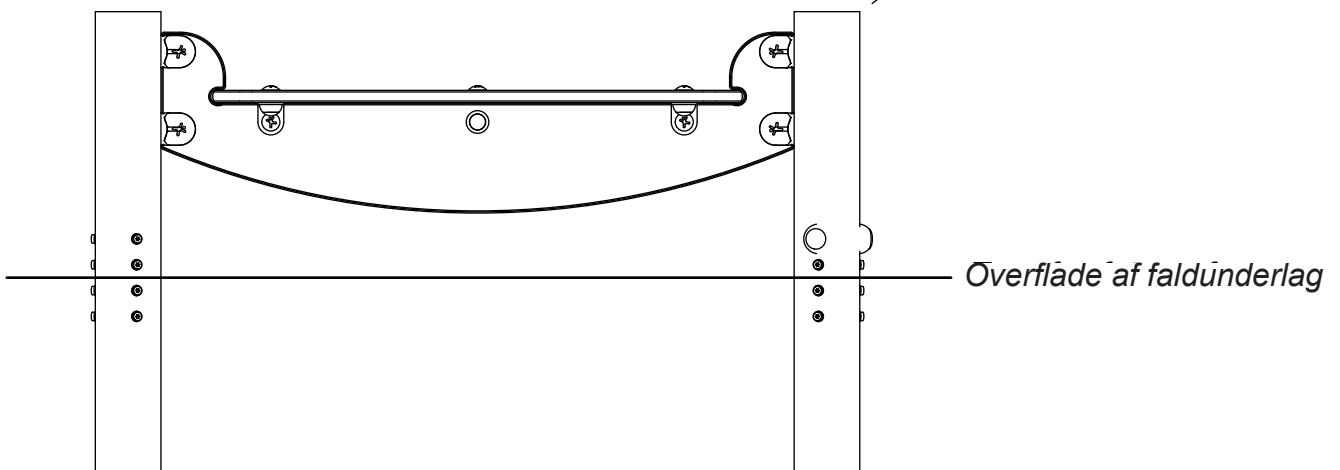
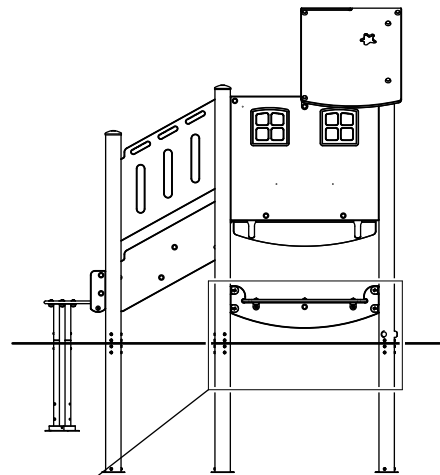


7 - Afslut montage af gulv

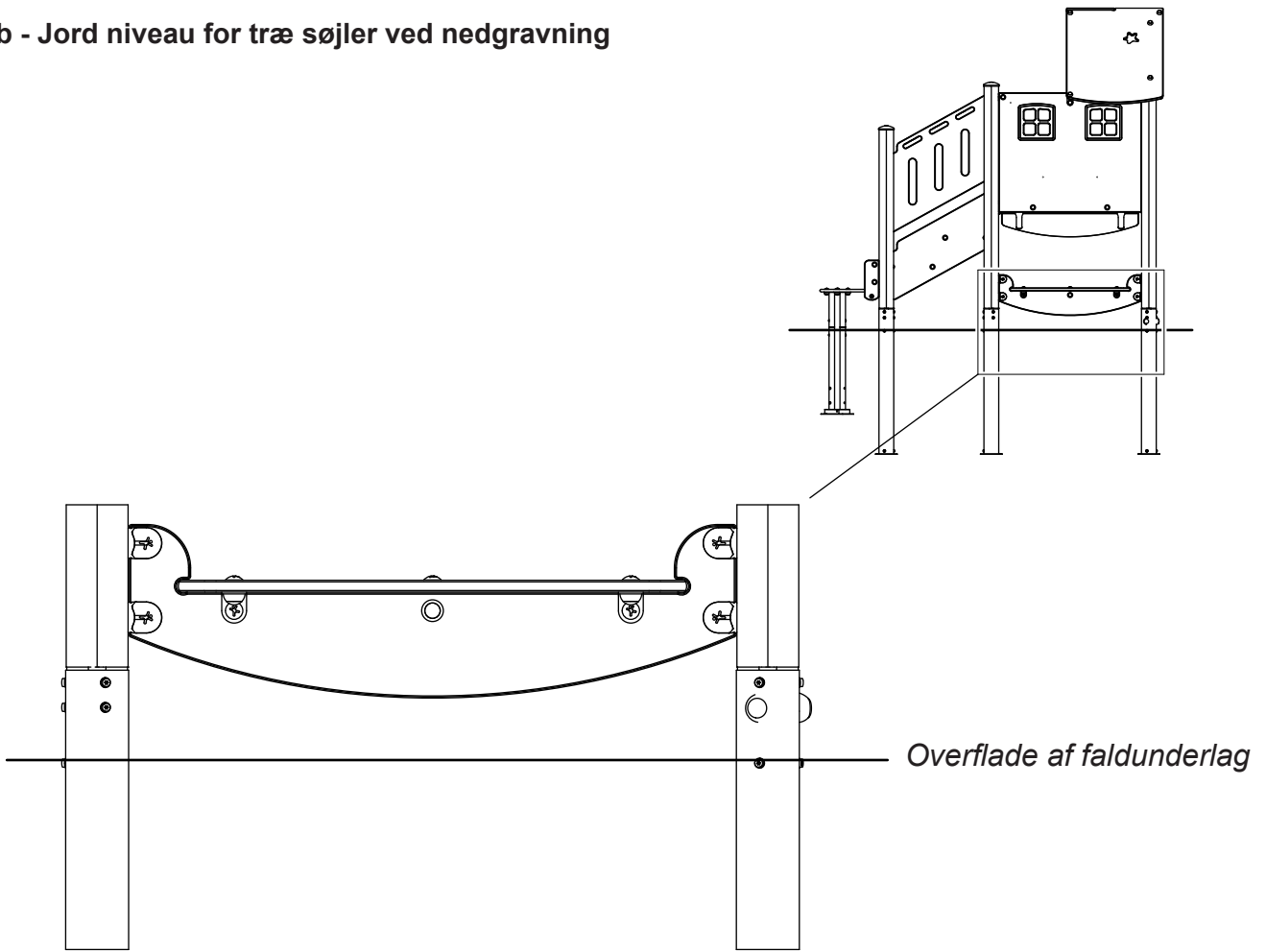
Afslut montage af gulve i henhold til montagevejledning.
(10)



7a - Jord niveau for stål søjler ved nedgravning

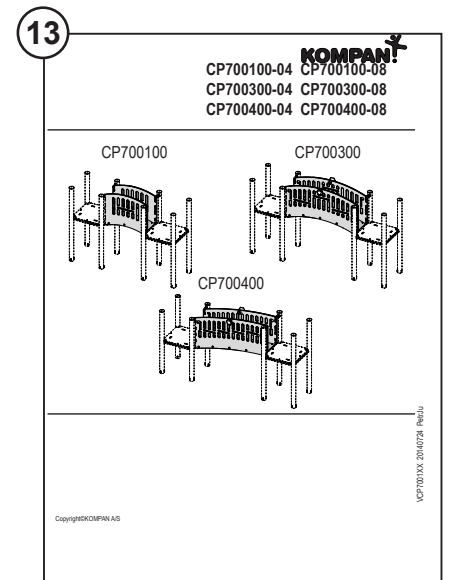
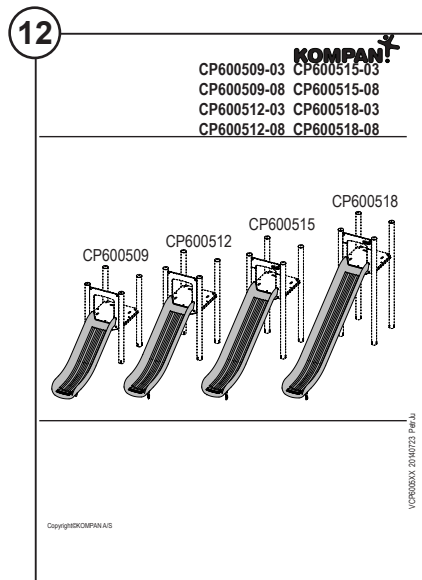
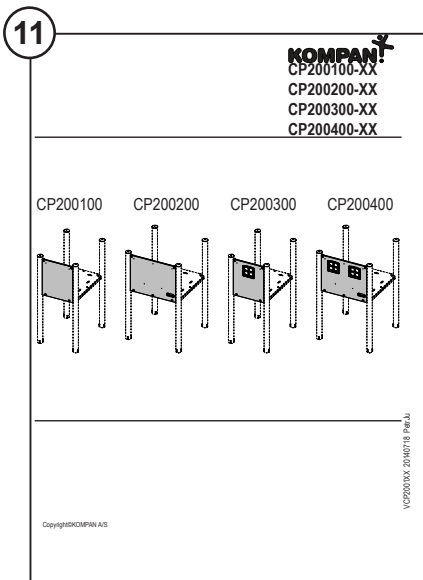


7b - Jord niveau for træ søjler ved nedgravning



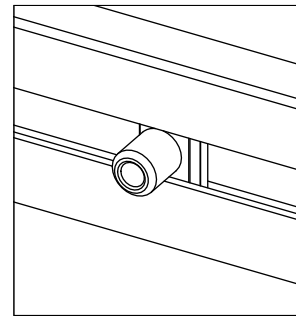
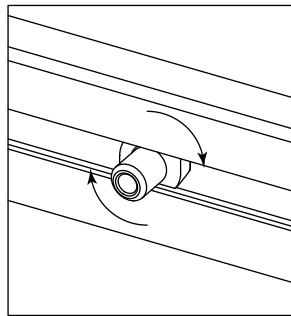
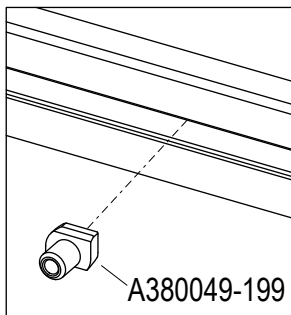
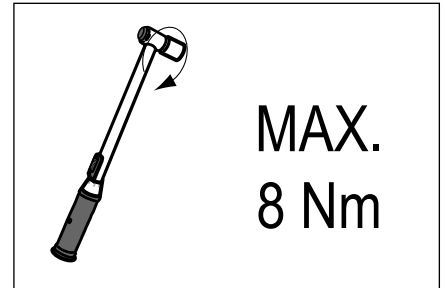
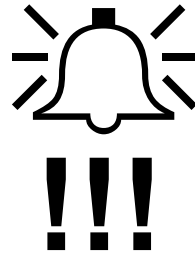
8 - Modul montage

Installer nu de øvrige moduler i henhold til de enkelte modulvejledninger. Følg modul vejledningerne side for side. (11, 12, 13, ...)

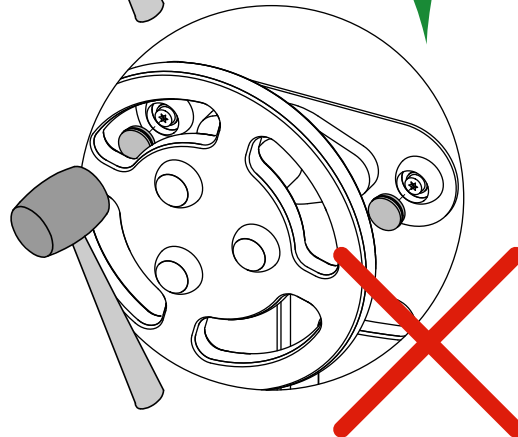
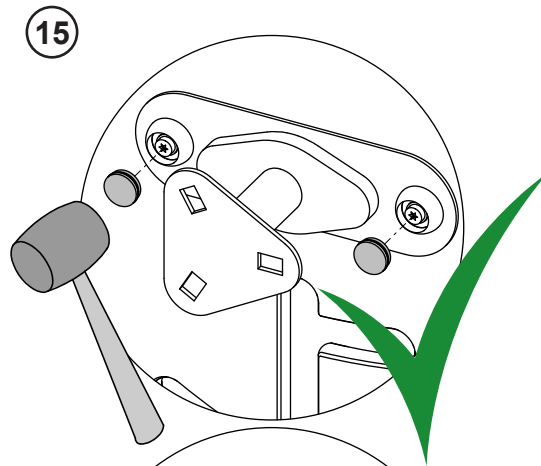
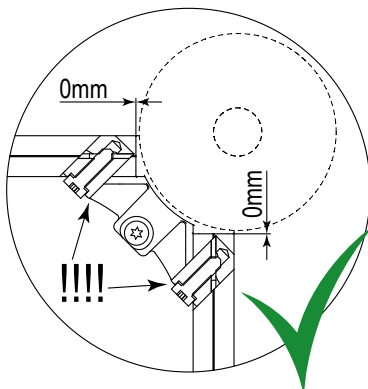
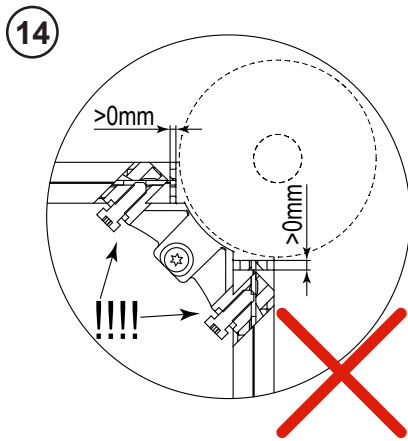


8a - Vigtige detaljer

For samlinger med T-møtrik A380049-199 bør max anvendes et moment på **8Nm!!!**

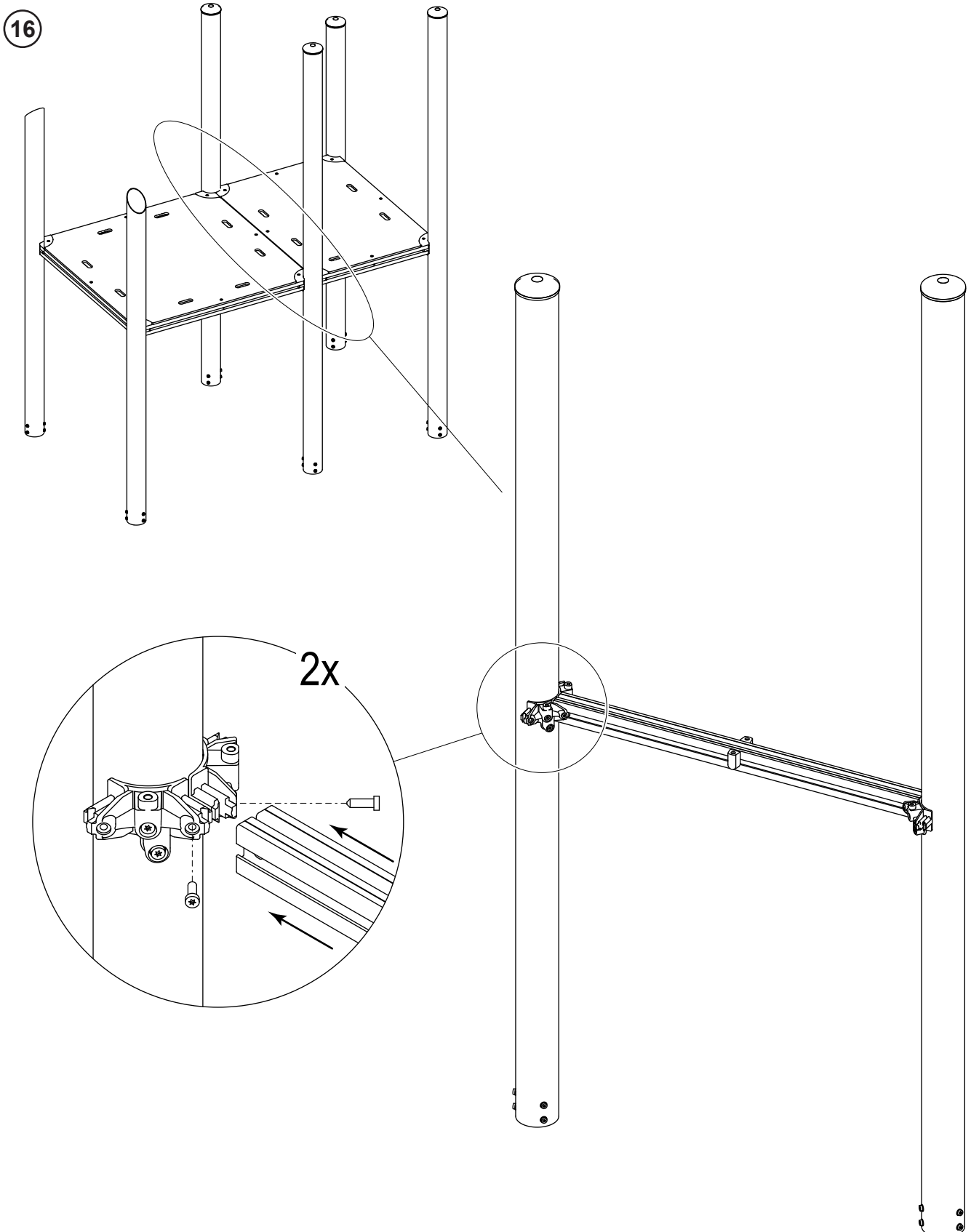


Bemærk detaljer med korrekt og forkert montage.
(14,15,...)



8b - Gulv mod gulv montage

Når to tårne er forbundet med gulv I samme højde, skal de to gulvprofiler monteres samtidig. Derefter kan de øvrige komponenter til gulvrammen monteres I henhold til montage vejledningerne. (16)

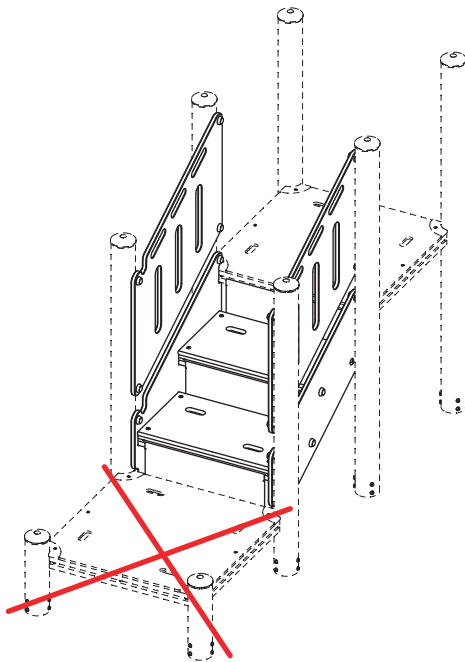


8c - Installation af trapper (CP500300&CP500400)

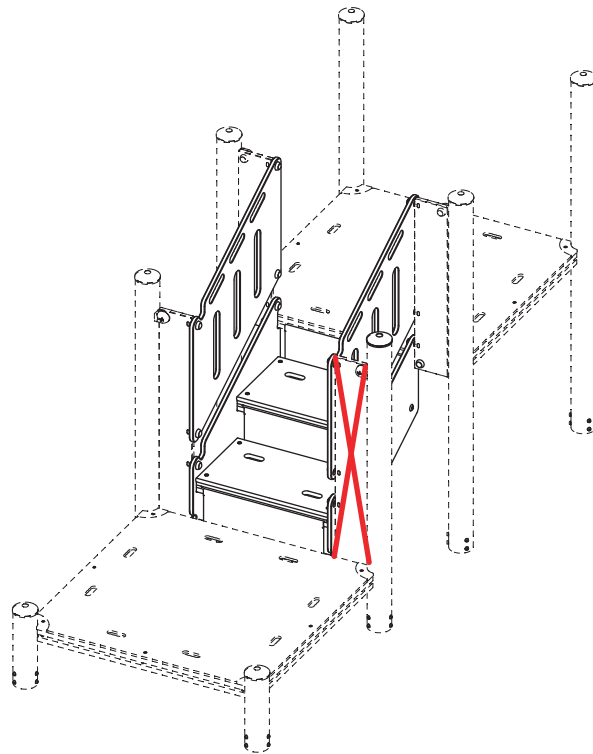
For succesfuld og simpel montage af trapper (CP500300 og CP500400) er det vigtigt at vejledning løses nøje og følges side for side. Det nederste gulv skal ikke samles forud for montage af trappen.(17)

For simple montage af trapper på stort tårn er det nødvendigt kun at montere et panel fra CP402200. Det sidste panel monteres i forbindelse med montagen af trappe. (18)

17



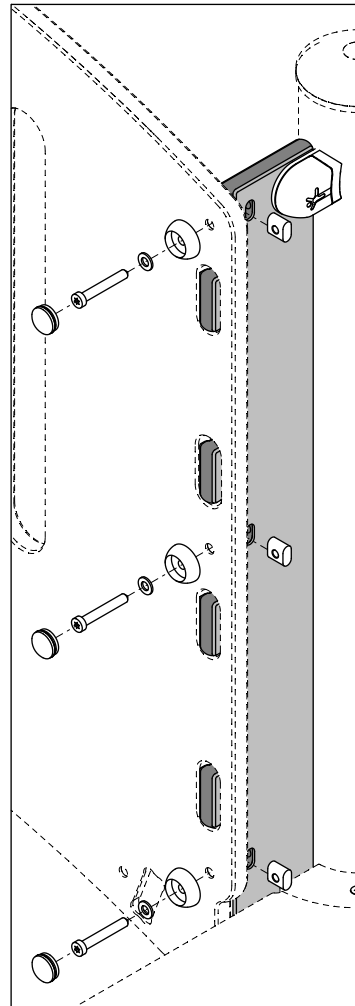
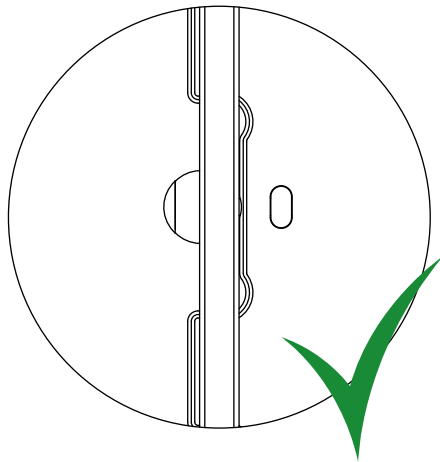
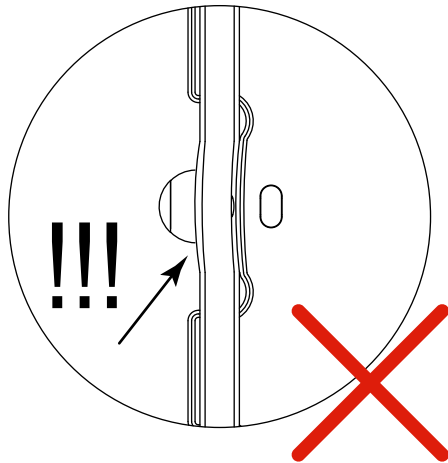
18



8d - Vigtig detaljer

Når paneler samles med A400334(19) bør der ikke overspændes så panelet deformeres.

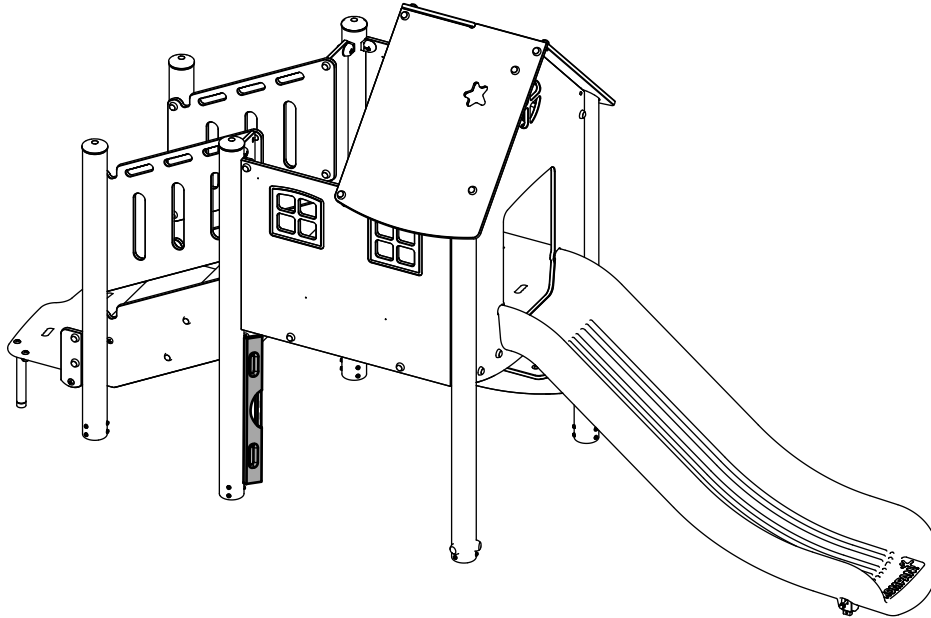
19



9 - Tjek at struktur er i vatter

Når alle moduler er monteret tjekkes det igen at alle gulve er i vatter. (20)

20

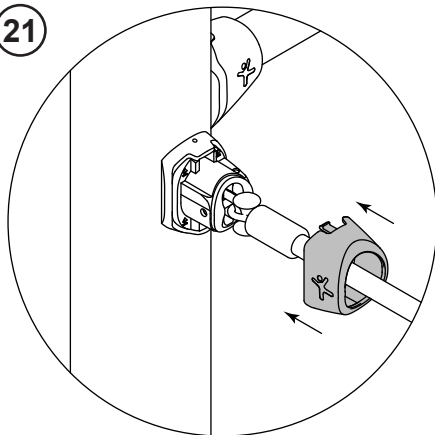


10 - Monter alle plastic dæksler og alle Do-nut tops.

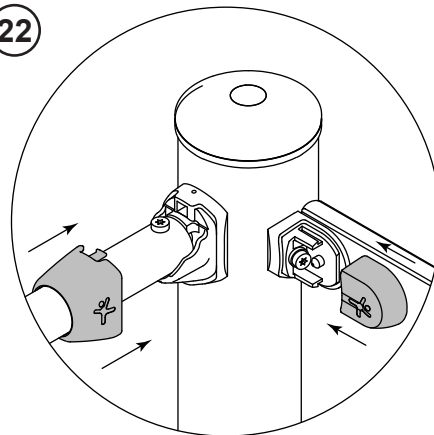
Monter alle plastic dæksler og alle Do-nut tops.

(21,22,23) Husk at fjerne alle labels fra paneler, stål dele, søjler.... (24)

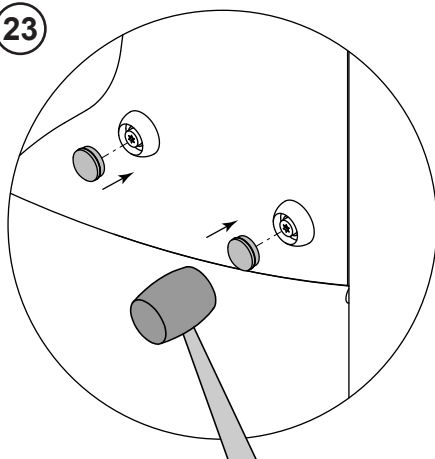
21



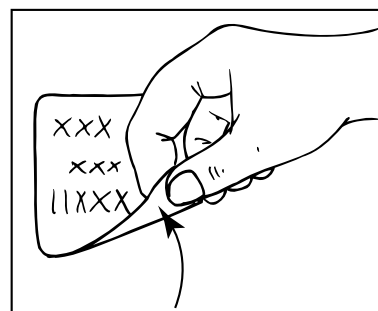
22

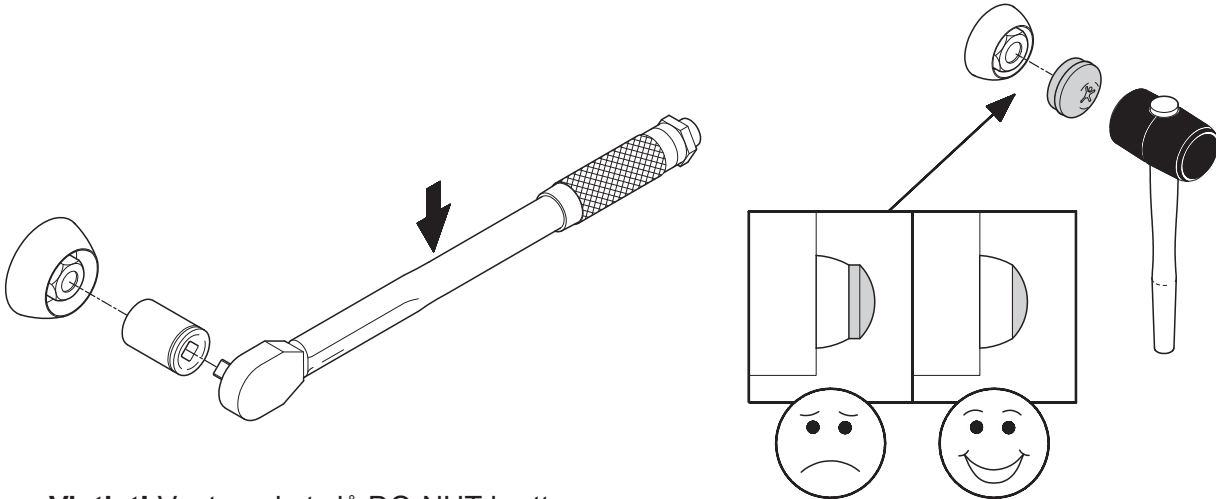


23

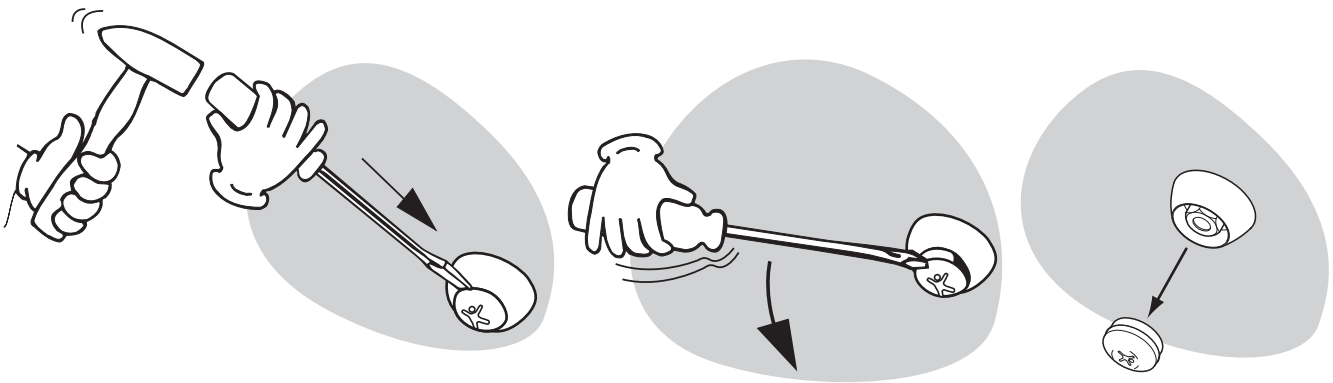


24





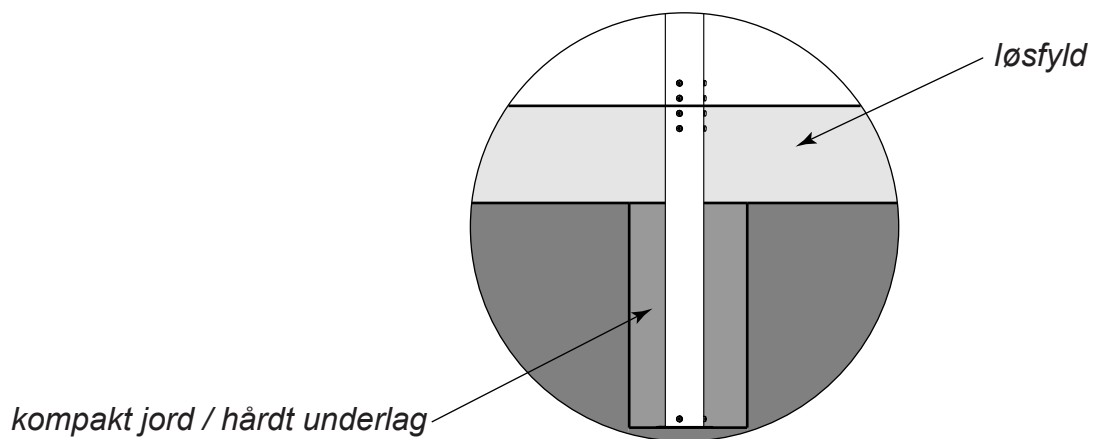
Vigtigt! Vent med at slå DO-NUT-hæfterne på, til hele anlægget er samlet og alle bolte er fastspændt.



11 - Fald underlag

Fyld nu op med materiale i fald zone til markeringen på søljer. (25)

25



Montering av KOMPAN CORE PLATFORM-systemet

De här anvisningarna beskriver hur du monterar KOMPAN CORE PLATFORM systemet.

Obs! Läs anvisningarna innan du börjar montera systemet och packa inte upp förpackningarna direkt.

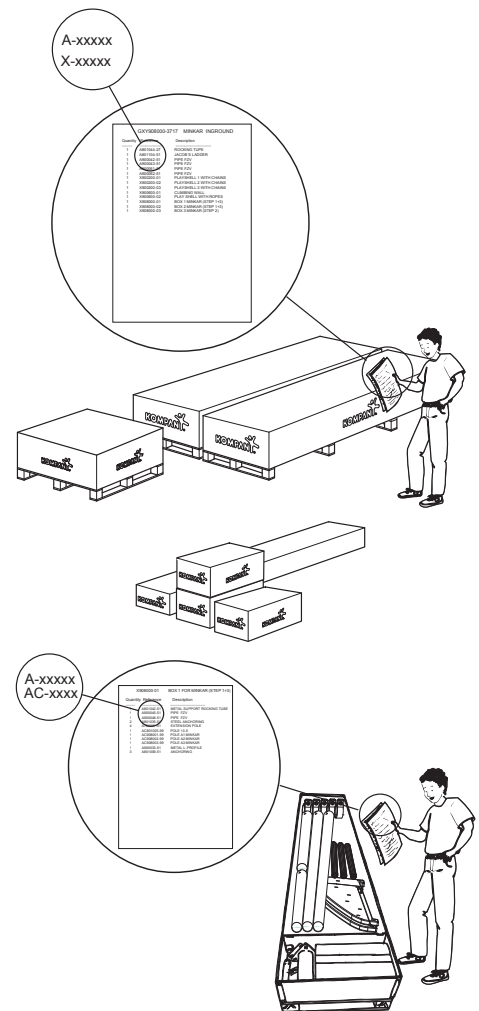
Förutom dessa allmänna anvisningar ingår följande dokumentation:

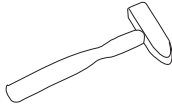
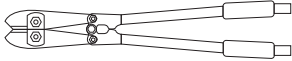


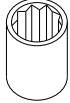
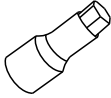
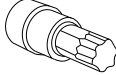
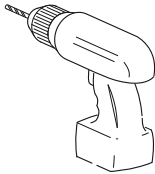
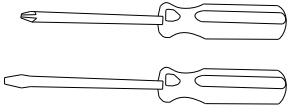

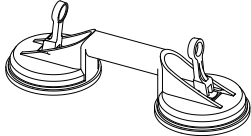

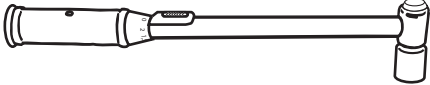
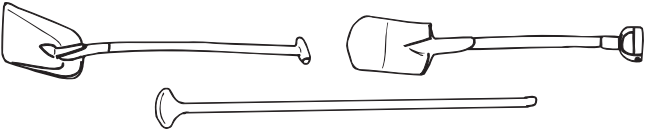
- Förpackningslista, dvs. en komplett lista över alla förpackningar som ska användas under monteringen.
- Produktguide, som innehåller ritningar för den monterade produkten – Monteringsanvisningar

Alla förpackningar är försedda med etiketter med referensnummer.

Kontrollera att alla förpackningar på förpackningslistan finns med innan du påbörjar monteringen.

Stäm sedan av innehållet i varje kartong med innehållslistan som ligger överst i kartongen.



Verktyg	Storlek	
Hammare		
Bultsax		
Vattenpass		
Spärnnyckel		
Hylsnyckelsats	13 mm 16 mm 17 mm 19 mm	
Hylsnyckelsats	6 mm	
Torx-bit	Tx40	
Borrset + bormaskin	Ø10mm Ø14mm	
Skruvmejsel		
Måttband		
Sugkopp		
Snöre		
Momentnyckel	8 Nm	
Skyffel + Spade + Betongstöt		

1 - Komma igång.

Börja med att lokalisera systemets fötter och se till att det finns tillräckligt med utrymme, även för säkerhetszonen.

Produktguiden inne håller en ritning över säkerhetszonen. (1)

2 - Mätning

Placera två måttband i kors på det område där systemet ska monteras. (2)

Lokalisera med hjälp av planritningen i produktguiden den punkt där de två måttbanden ska korsa varandra. På ritningen är punkten angiven där X och Y möts. Kontrollera att de två måttbanden är i rät vinkel.

Mät ut de angivna mittpunkterna för bottenplattorna för hela systemet. Markera dessa punkter med pluggar, skruvmejslar eller liknande. (4) Kontrollera därefter att säkerhetszonen runt hela systemet är korrekt utformad. Säkerhetszonen är markerad med en prickad linje runt systemet på planritningen.

På planritningen ser du ett skuggat område med en siffra (1, 2, 3, 4, 5, 6, osv.) på var och en av de utmärkta mittpunkterna. Det skuggade området anger storleken på bottenplattan.

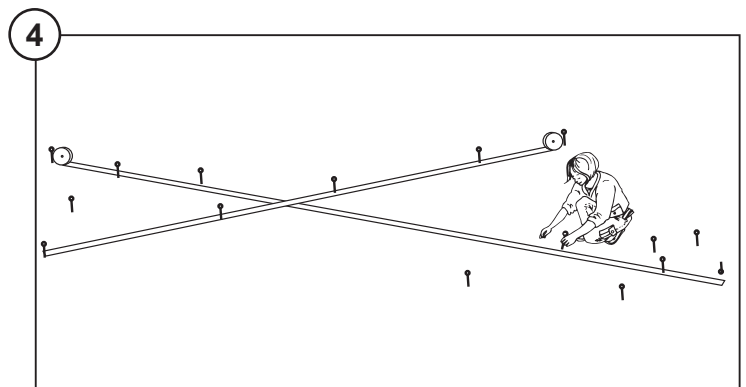
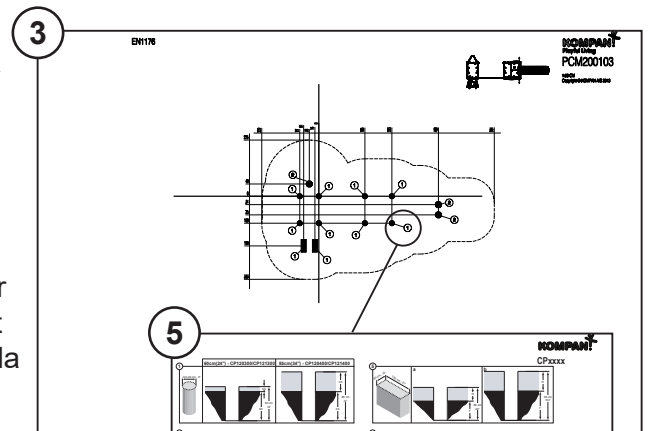
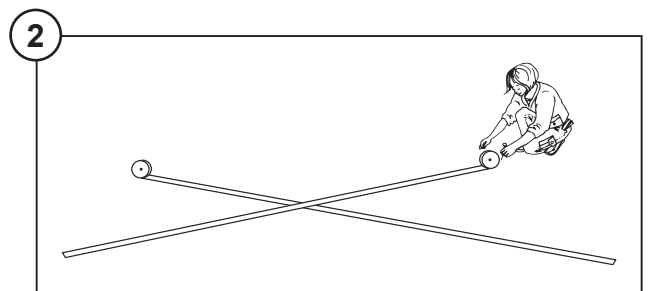
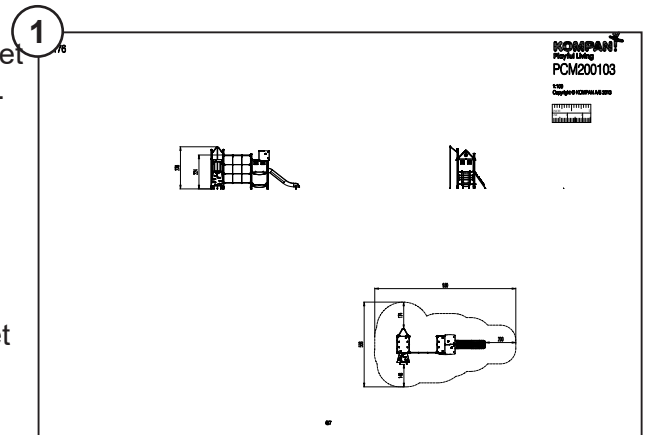
Varje skuggat område är numrerat och numret hänvisar till en ritning som visar storleken och djupet på hålet samt hur mycket betong som behövs.

Ritningarna finns på sista sidan i produktguiden Om du använder ett mekaniskt grävredskap kan du göra flera olika hål för botten på samma gång. Kontrollera att ändarna på linje X och linje Y är markerade innan du tar bort måttbanden för att börja gräva. Det är viktigt att det går att kontrollera att systemet är rätt placerat under hela monteringen.

3 - Hål för att montera stolarnas fötter i marken

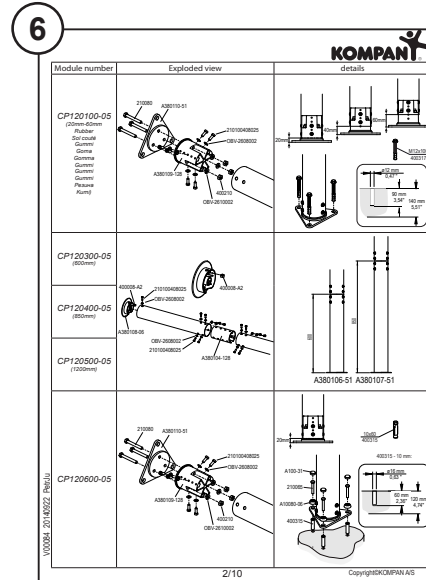
Gräv hål för stolarna, se grävplanen (5) för information om vilka aktiviteter som kräver betong.

Obs! Fyll inte igen hålen förrän monteringen 4 är färdig och hela konstruktionen är i rätt läge.



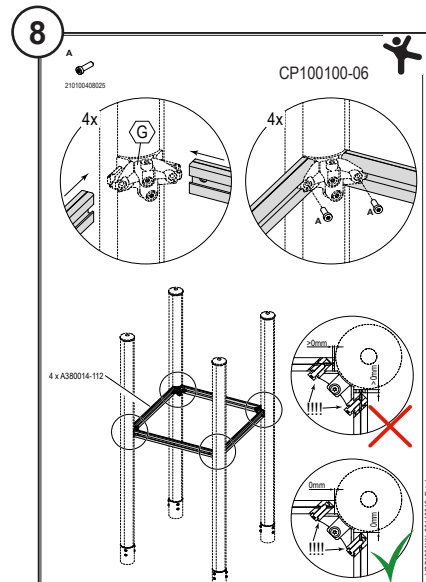
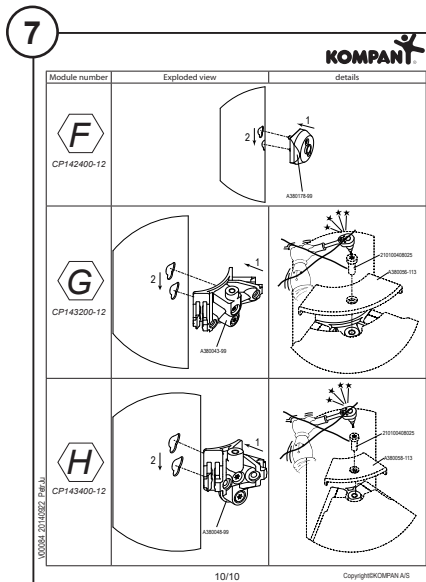
4 - Stolpar

Montera fötterna på stolparna enligt anvisningarna (6) och placera stolparna i rätt håll.



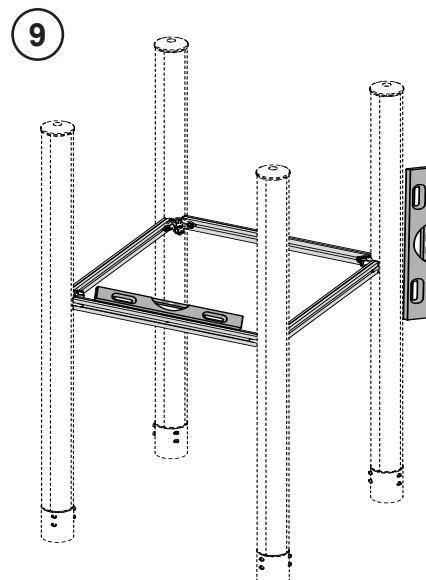
5 - Golvanslutningar

Montera golvanslutningarna i stolpen (7) och montera golvramen i enlighet med anvisningarna (8)



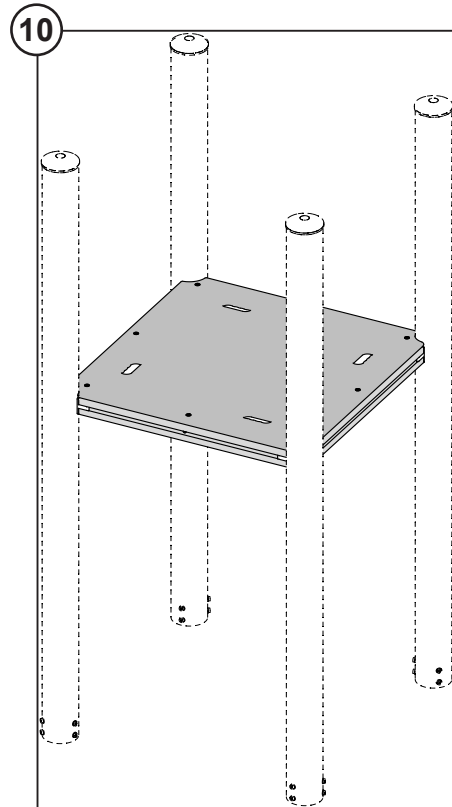
6 - Se till att strukturen är plan

Se till att strukturen är plan både vertikalt och horisontellt. (9)

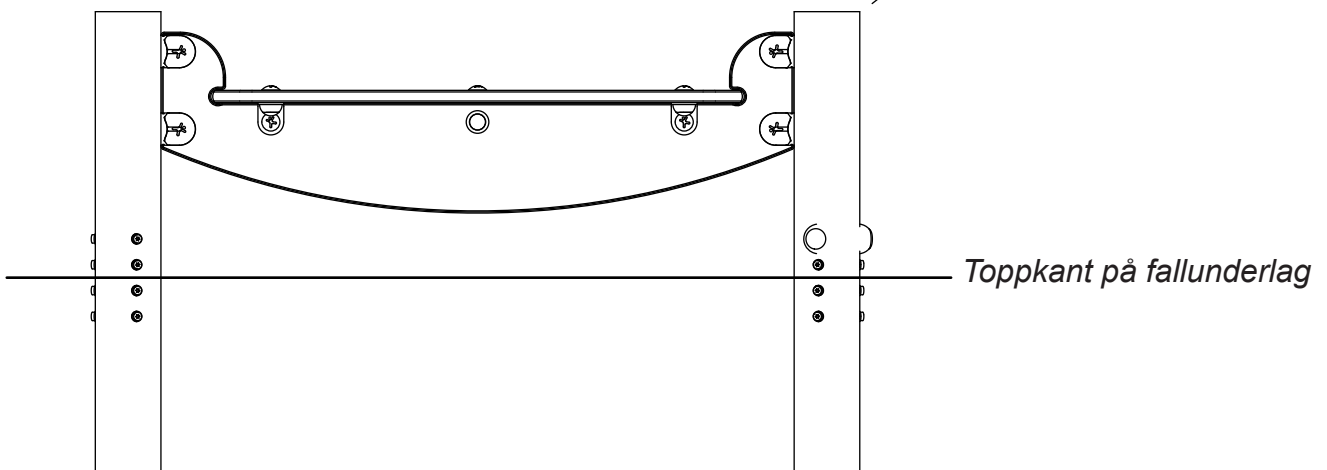
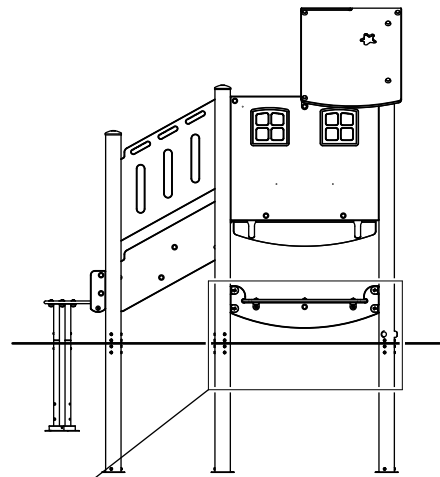


7 - Slutförmonteringen av golvet

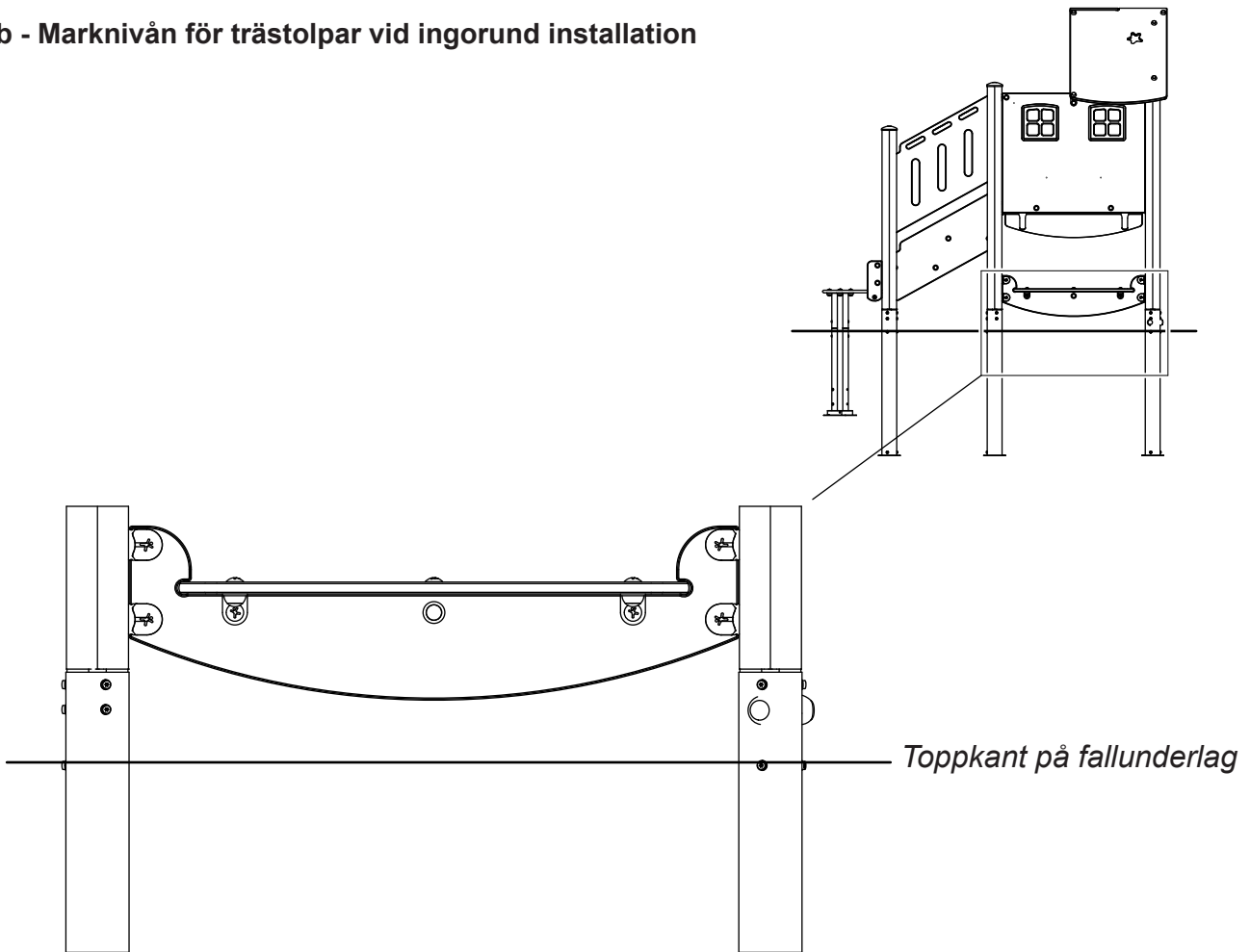
Fortsätt montera golvet enligt anvisningarna.(10)



7a - Marknivån för stålstolpar vid inground installation

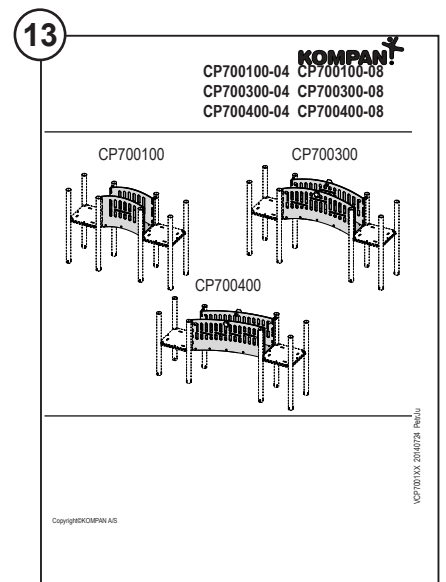
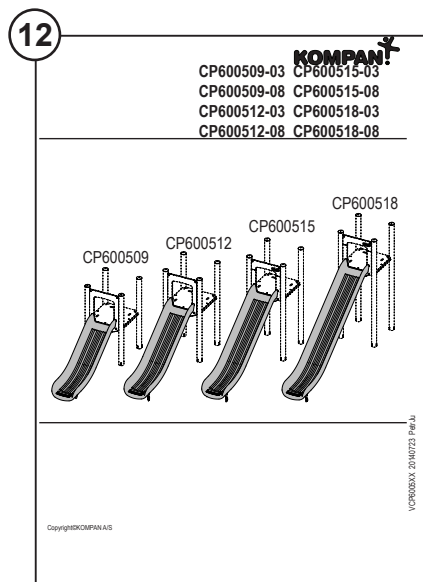
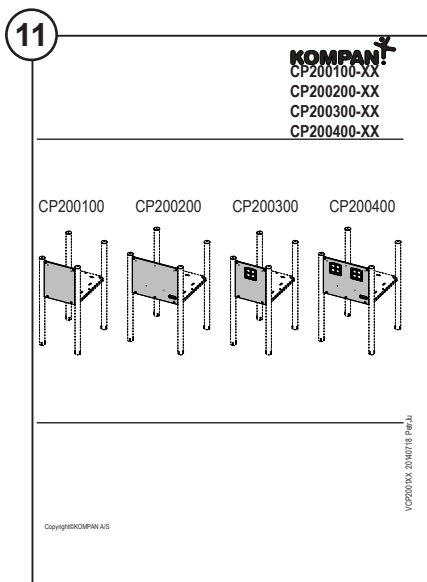


7b - Marknivån för trästolpar vid ingrund installation



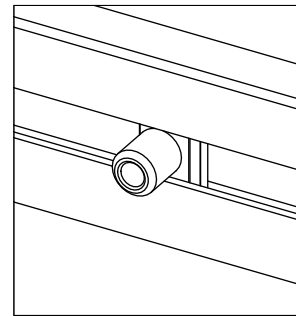
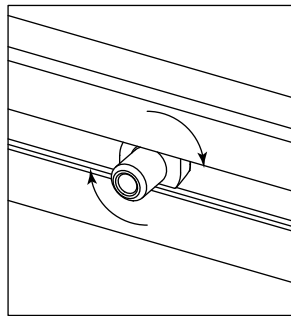
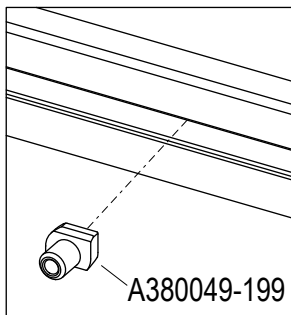
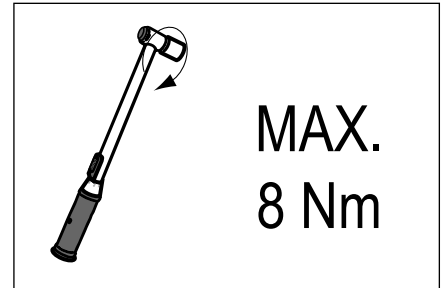
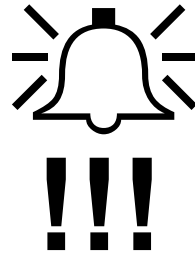
8 - Modulmontering

Montera varje modul enligt anvisningarna. Följ monteringsanvisningarna sida för sida. (11, 12, 13,...)

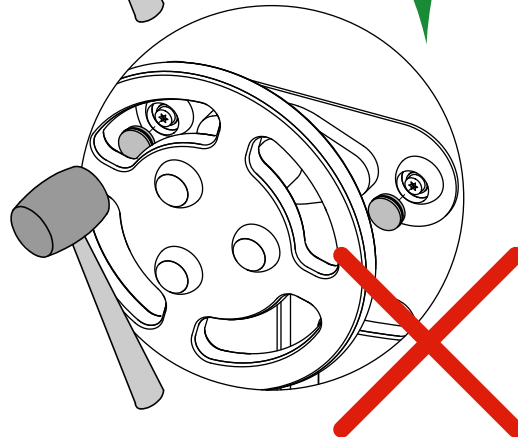
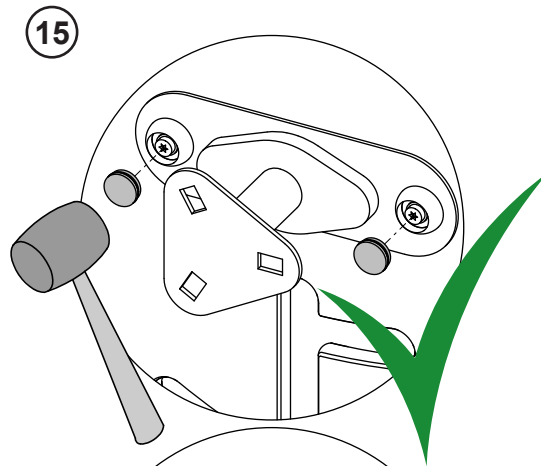
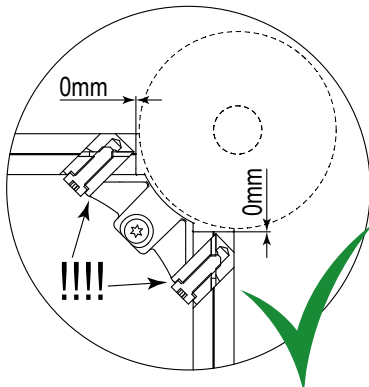
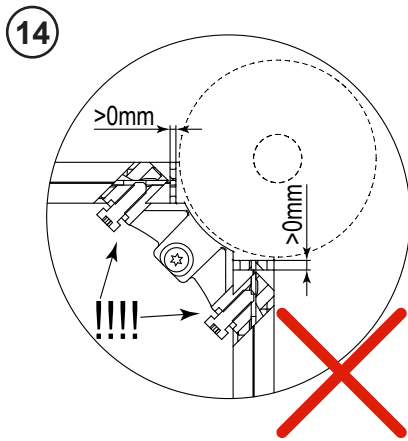


8a - Viktigt!

För anslutning med T-mutter A380049-199 används det maximala vridmomentet **8Nm!!!**



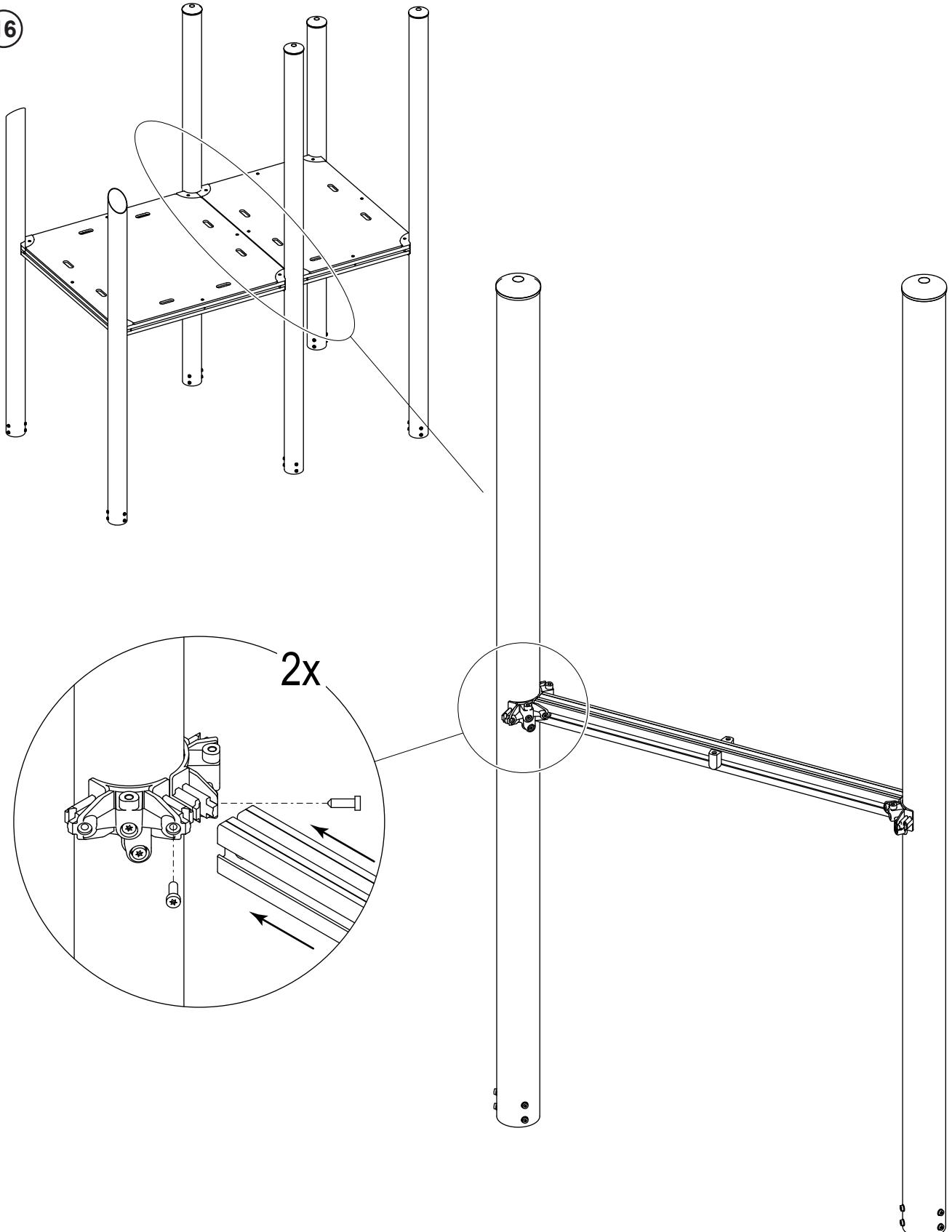
Var särskilt uppmärksam på informationen om rätt och felaktig montering.(14,15,...)



8b - Golv till golv-montering

När de båda tornen är anslutna monteras mittstolparna med två profiler först. Fortsätt sedan med resten av monteringen i enlighet med anvisningarna. (16)

16

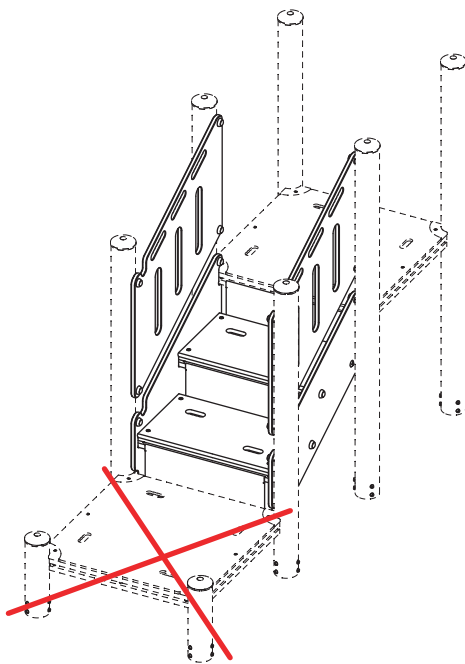


8c - Montera trapporna (CP500300&CP500400)

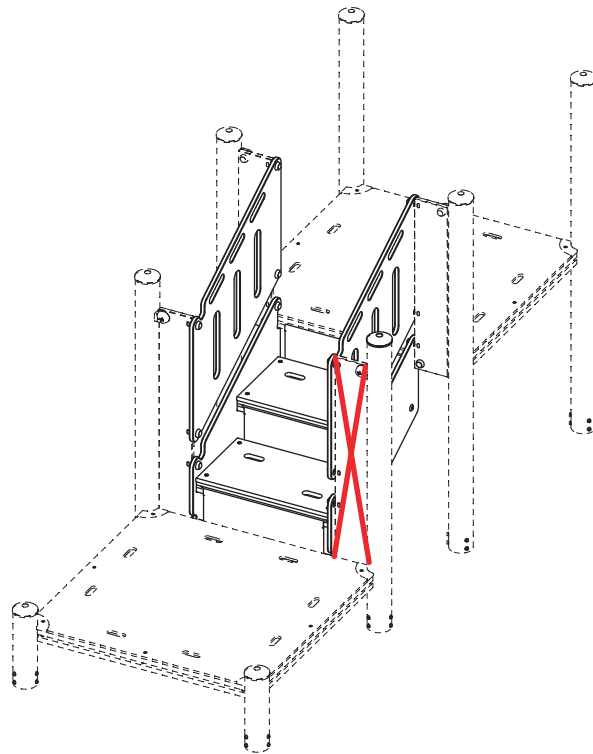
För att montera trapporna (CP500300 och CP500400) på enkelt sätt är det viktigt att följa anvisningarna sida för sida. Den nedre plattformen går inte att montera innan trapporna har monterats på det lilla tornet. (17)

Vid montering av trapporna på det stora tornet är det nödvändigt att montera endast en panel för CP402200. Den andra panelen kommer att monteras under installationen av trappmodulen. (18)

17



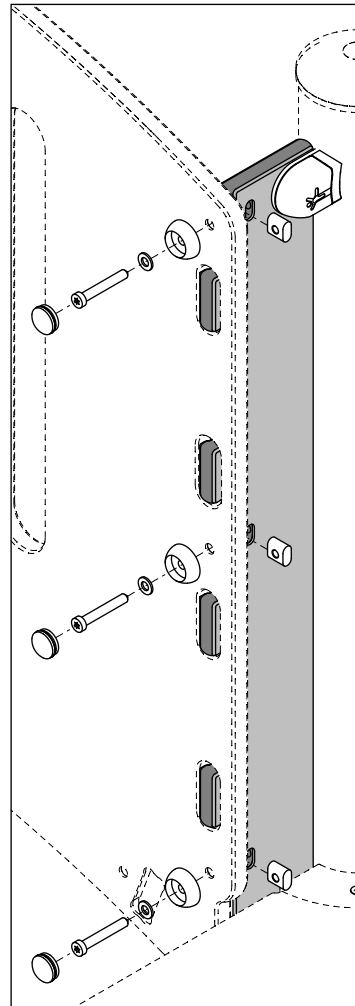
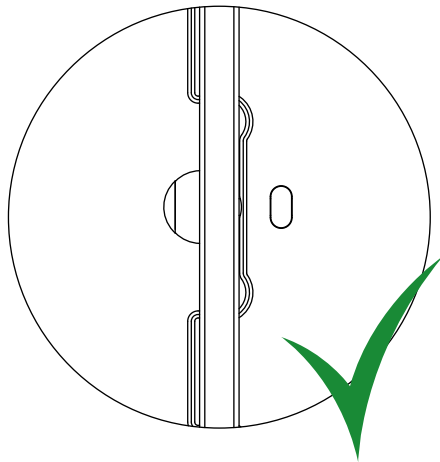
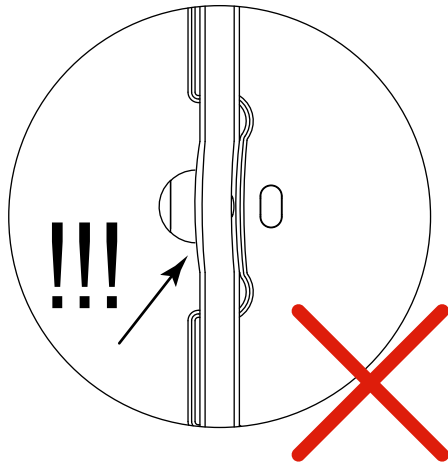
18



8d - Viktigt!

Kontrollera att inte panelen blir deformerad vid åtdragning av anslutningen till A400334!!! (19)

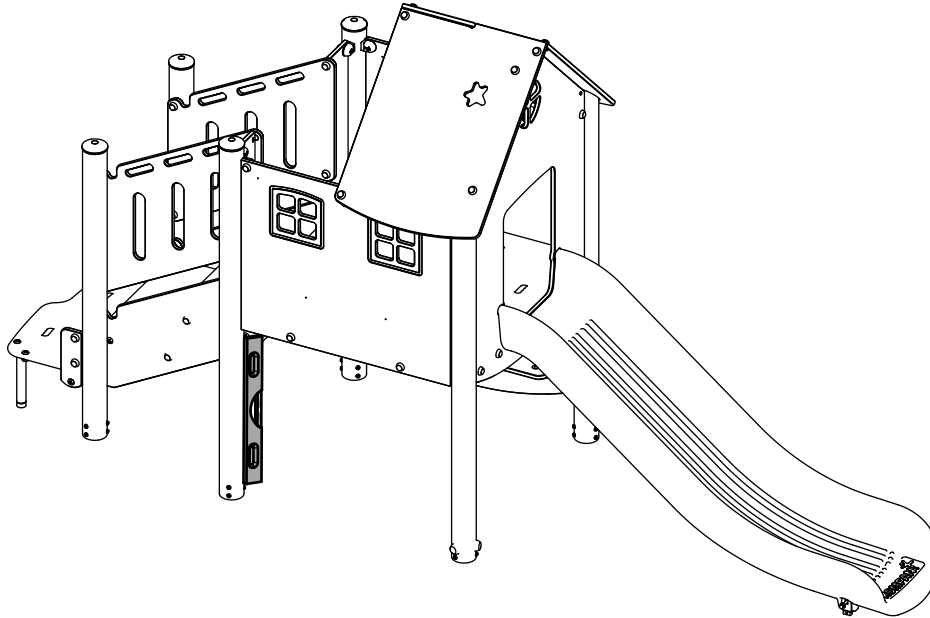
19



9 - Kontrollera att strukturen är plan på nytt

När alla moduler har monterats kontrollerar du att golvet och stolparna är plana på nytt. (20)

20

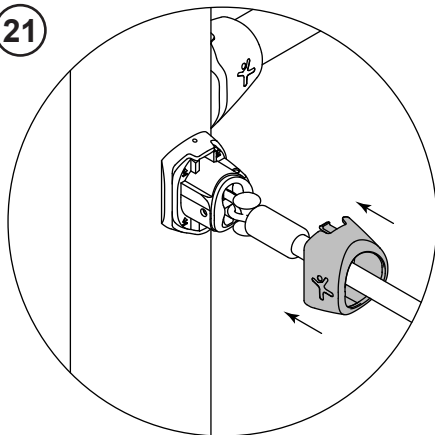


10 - Montera alla luckor och Do-nut-överdelar.

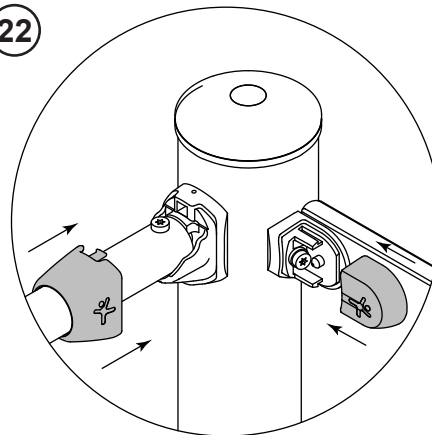
Montera alla luckor och Do-nut-överdelar. (21, 22, 23)

Glöm inte att ta bort alla etiketter från paneler, ståldelar och stolpar... (24)

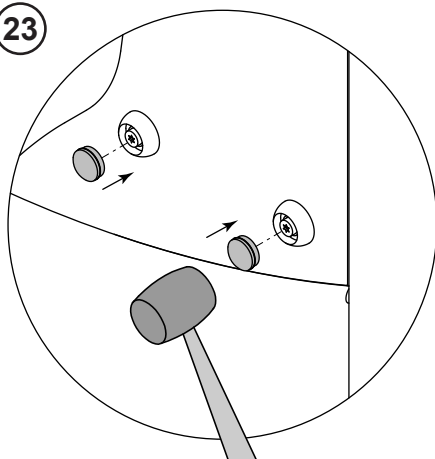
21



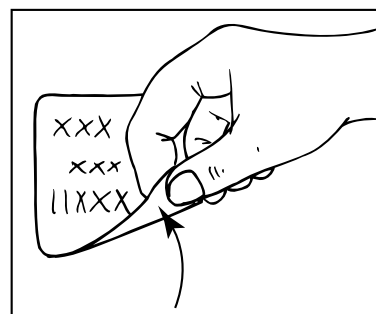
22

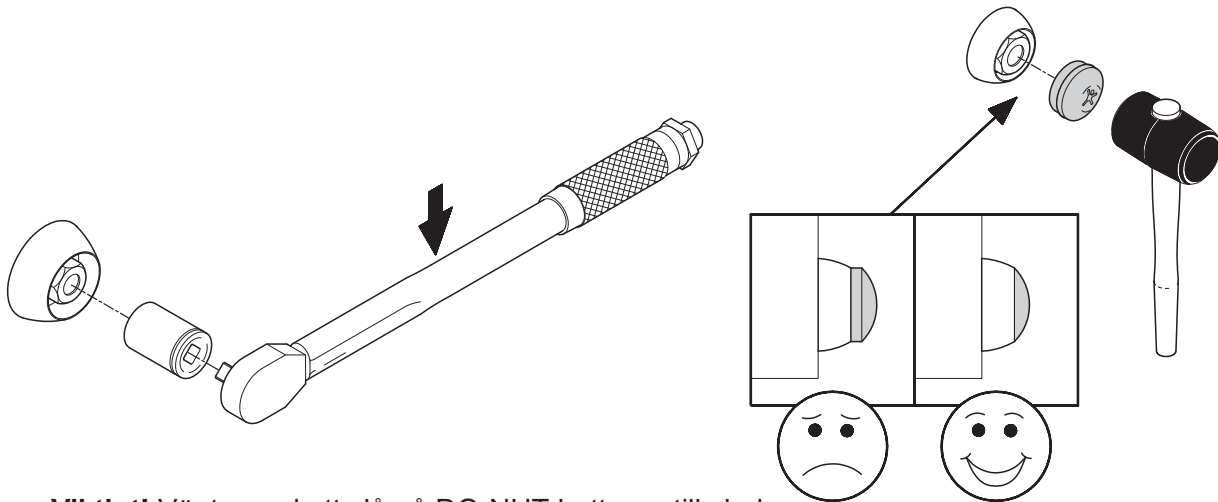


23

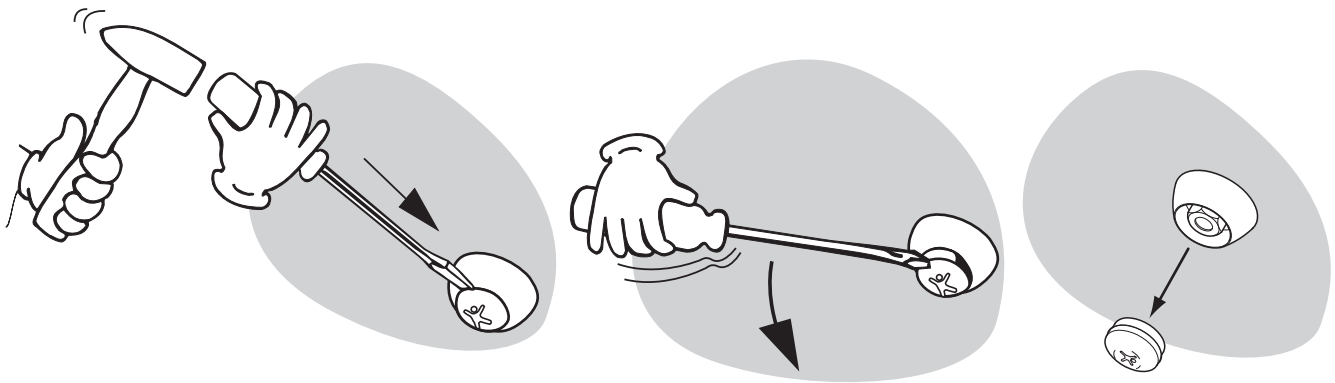


24





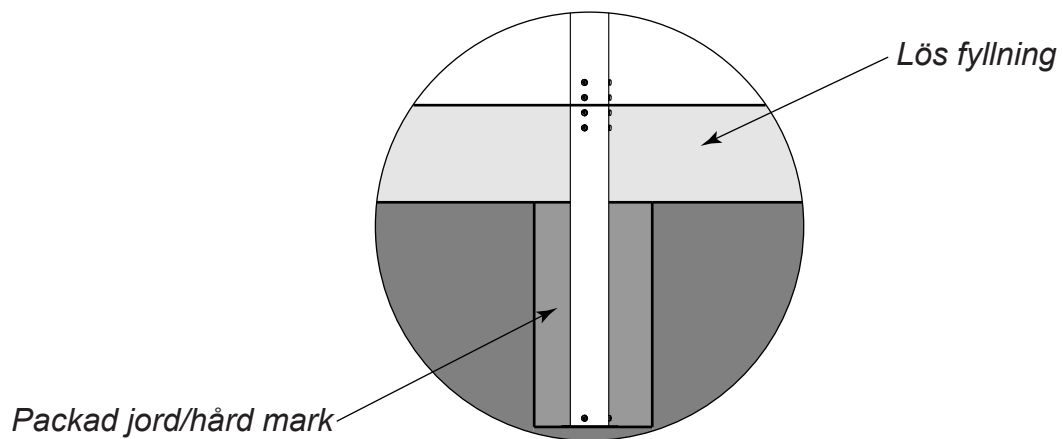
Viktigt! Vänta med att slå på DO-NUT-hattarna tills hela anläggningen är monterad och alla skruvar åtdragna.



11 - Säkerhetsyta

Fyll säkerhetszonen med ytmaterial nivåmarkeringen på fötterna. (25)

25



KOMPAN CORE PLATFORM –järjestelmän asentaminen

Näissä ohjeissa neuvotaan, miten KOMPAN CORE PLATFORM -järjestelmä asennetaan.

HUOM. Lue nämä ohjeet ennen asennusta. Älä pura kaikkia pakkauksia saman tien.

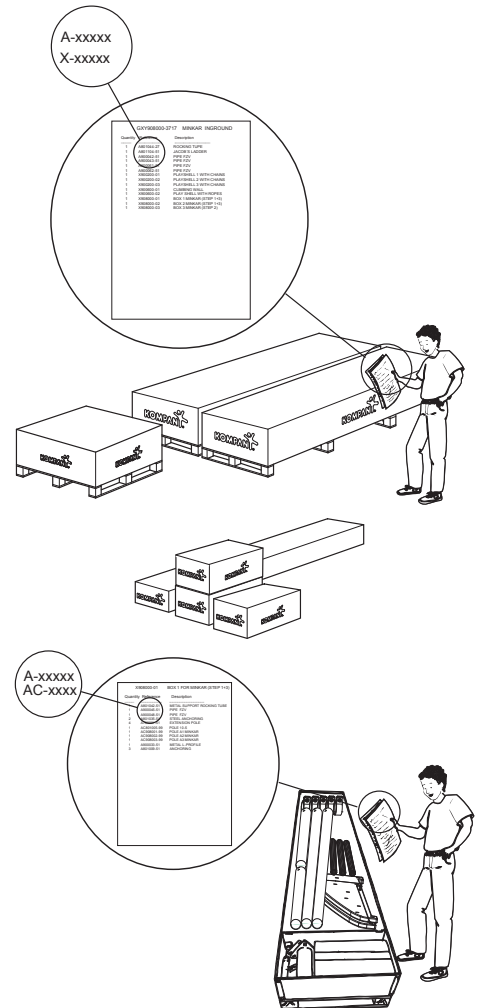
Näiden yleisohjeiden lisäksi mukana ovat seuraavat asiakirjat:

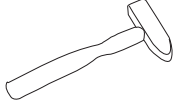
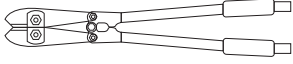


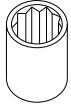

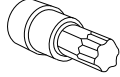
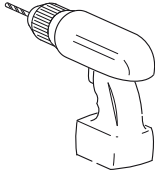
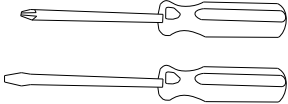

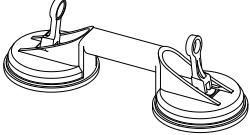

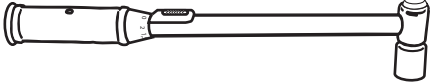
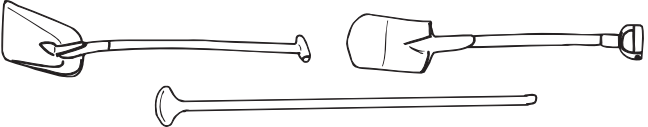
- Lähetysluettelo, jossa luetellaan kaikki asennuksessa tarvittavat pakkaukset.
- Tuoteopas, jossa on piirustuksia kootusta tuotteesta
- Asennusohjeet

Kaikissa pakkauksissa on tarrat, joissa on viitenumerot.

Tarkista lähetysluettelon avulla, että kaikki tarvittavat pakkaukset ovat käytettävissä. Älä aloita asennusta ennen tarkistusta.

Tarkista sitten kunkin pakkauksen sisältö pakkauksen kannen sisäpuolella olevan sisältöluettelon avulla.



Työkalu	Koko	
Vasara		
Sivuleikkuri		
Vesivaaka		
Räikkäväännin		
Hylsyavainsarja	13 mm 16 mm 17 mm 19 mm	
Kuusiokoloavainsarja	6 mm	
Torx-pää	Tx40	
Porakone + teräsarja	Ø10mm Ø14mm	
Ruuvitaltta		
Mittanauha		
Imukuppi		
Narua		
Momenttiavain	8 Nm	
Betoni- ja pistolapio + tiivistysrauta		

1 - Aloittaminen.

Aloita ottamalla esiin jalkalaatat ja tarkista, että 1 käytettävissä on riittävästi tilaa. Ota huomioon myös turva-alue.

Tuoteoppaassa on turva-alue suunnitelma. (1)

2 - Mittaukset

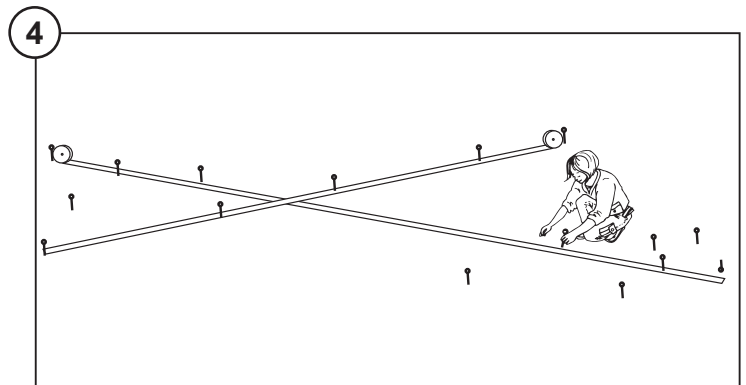
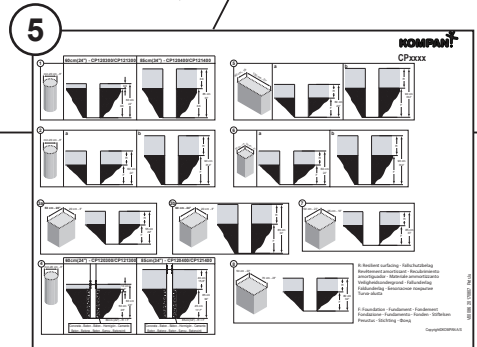
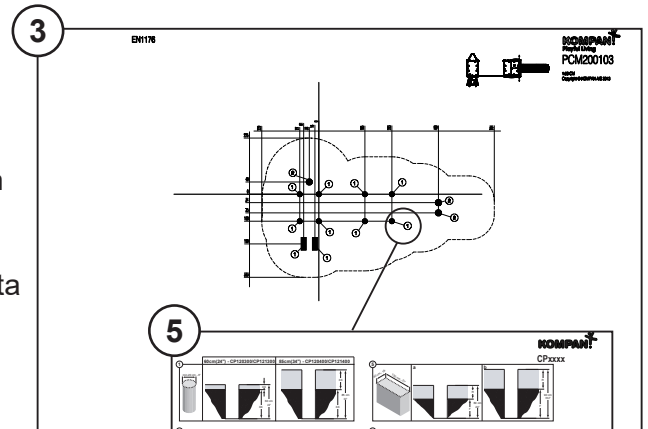
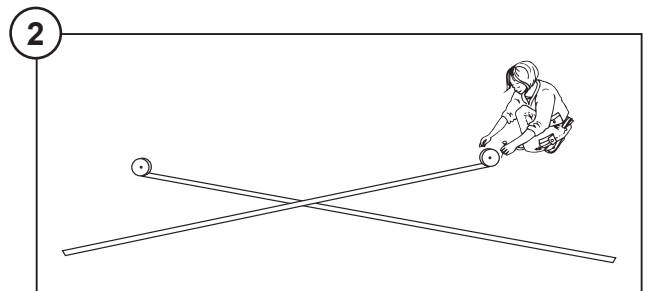
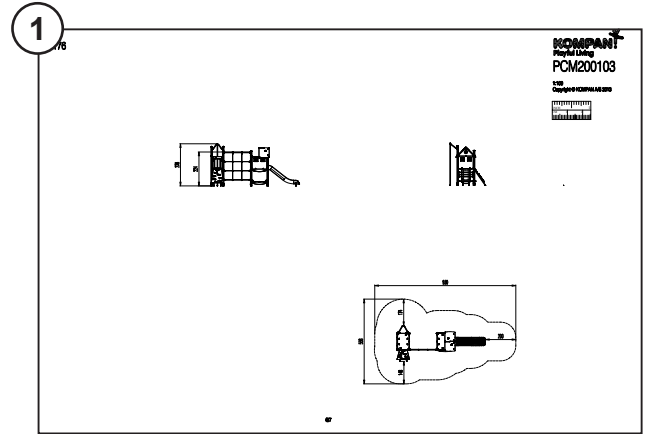
Aseta kaksi mittanauhaa ristikkäin järjestelmän asennusalueelle (2). Paikanna tuoteoppaan piirustuksen (3) avulla se kohta, jossa mittanauhojen tulee leikata toisensa. Piirustuksessa tämä kohta on Y- ja X-linjojen leikkauspiste. Varmista, että mittanauhat ovat kohtisuorassa toisiinsa nähden.

Mittaa, mihin järjestelmän jalkalaattojen keskikohdat tulevat. Merkitse nämä kohdat tapeilla, ruuvitaltoilla tms. (4) Tarkista sitten, että turva-alue on vaatimusten mukainen kaikkialla järjestelmän ympärillä. Turva-alue on merkitty piirustukseen katkoviivalla. Piirustuksessa on viivoitettu alue, jossa on numero (1, 2, 3, 4, 5, 6 jne.) kunkin merkityn keskikohdan vieressä. Viivoitettu alue ilmaisee jalkalaatan koon. Jokainen viivoitettu alue on numeroitu. Numero viittaa piirustukseen, josta nähdään reiän koko ja syvyys sekä tarvittava betonimäärä. Piirustukset ovat tuoteoppaan viimeisellä sivulla. Jos kaivaminen suoritetaan mekaanisesti, yhteen kuoppaan kannattaa sijoittaa useita jalkalaattojen reikiä. Varmista ennen mittanauhojen poistamista ja kaivamisen aloittamista, että X- ja Y-linjojen päät on merkitty. Tarkista ja varmista, että järjestelmä pysyy oikealla paikallaan koko asennuksen ajan.

3 - Kuopat maahan asennusta varten

Kaiva kuopat tolppia varten. Kaivusuunnitelmasta (5) näet, mihin vaiheisiin tarvitaan betonia.

Huomaa: Älä täytä kuoppia, ennen kuin järjestelmä on koottu kokonaan ja se on suorassa kaikista suunnista.

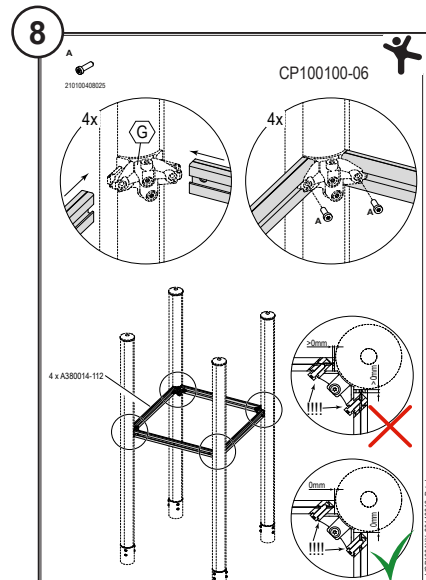
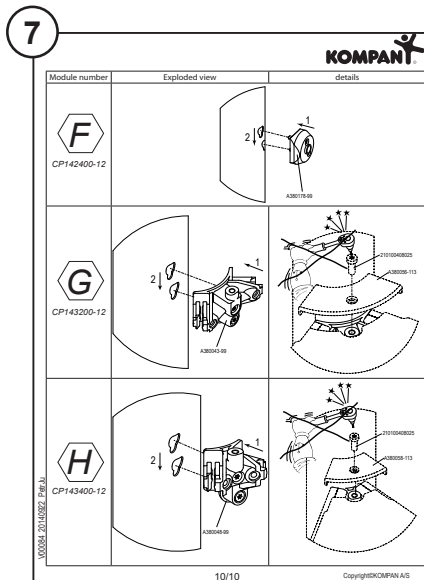
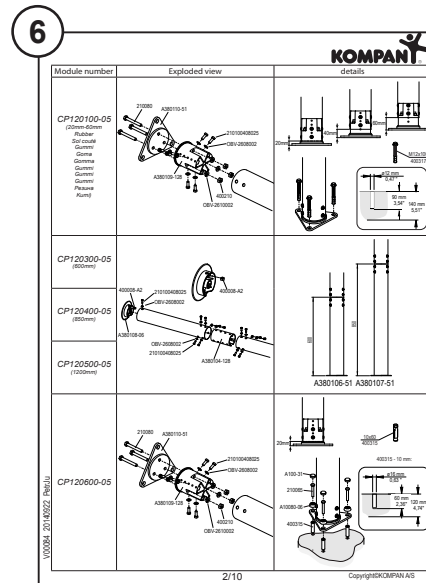


4 - Tolpat

Kiinnitä jalkalaatat tolppiin ohjeiden mukaisesti (6) ja aseta tolpat oikeisiin kuoppiin.

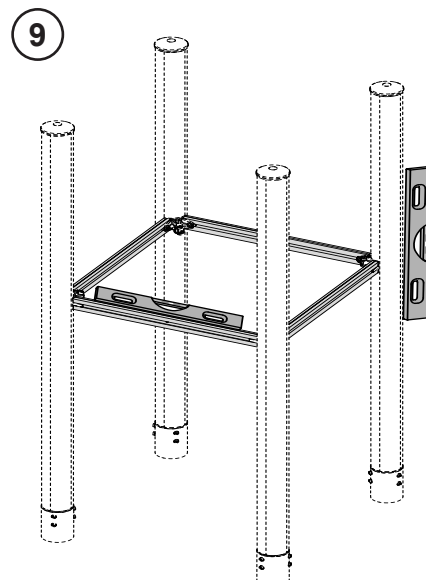
5 - Lattialiittimet

Kiinnitä lattialiittimet tolppiin (7) ja kokoa lattiakehys asennusohjeiden mukaisesti (8).



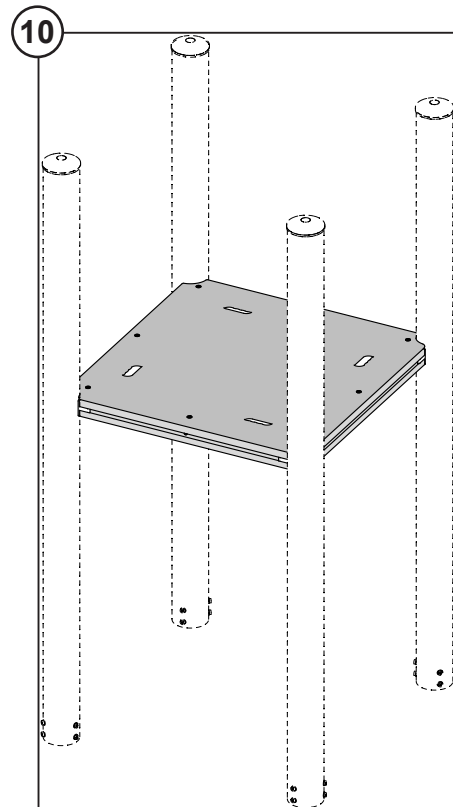
6 - Rakenteen suoristaminen

Suorista rakenne sekä pysty- että vaakasuunnassa (9).

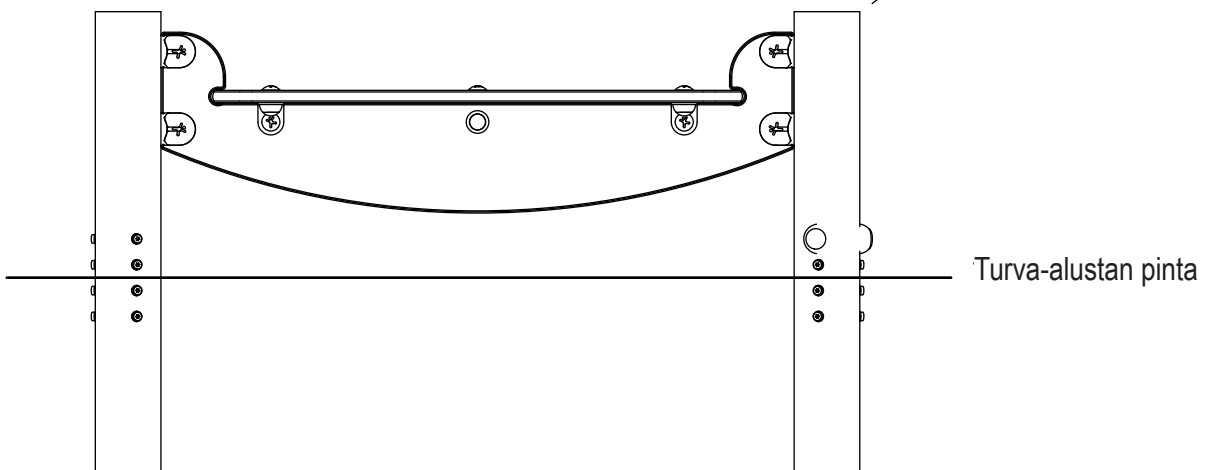
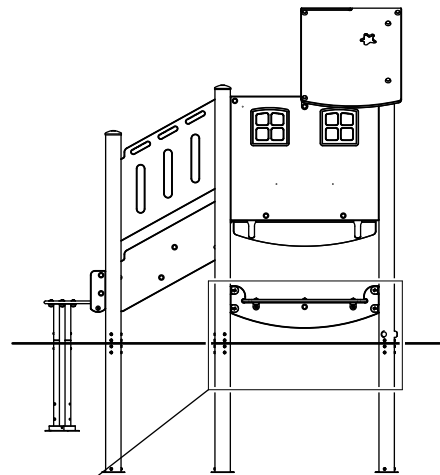


7 - Lattian asentaminen loppuun

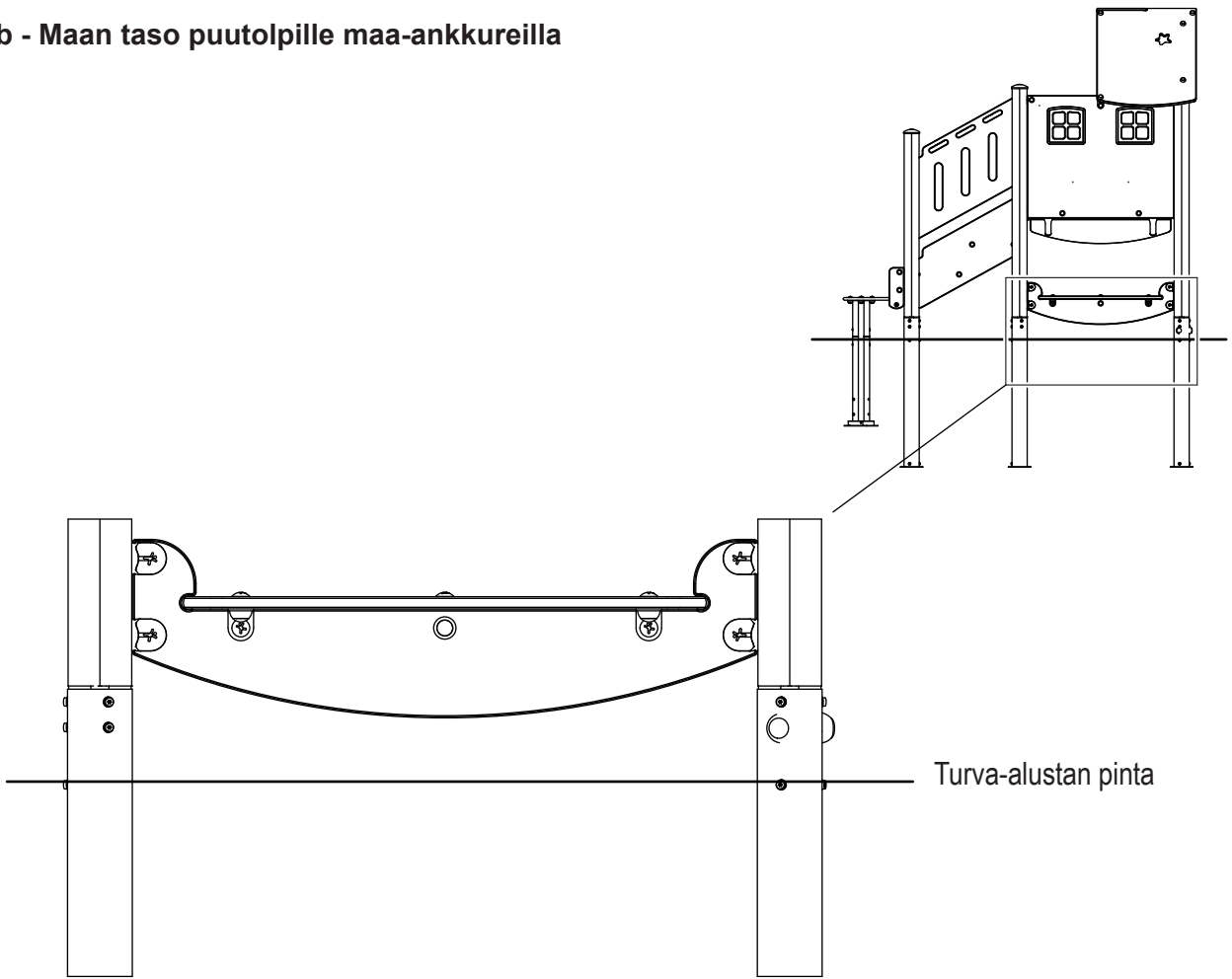
Jatka lattian asentamista asennusohjeiden mukaisesti .(10)



7a - Maan taso terästolpille maa-ankkureilla

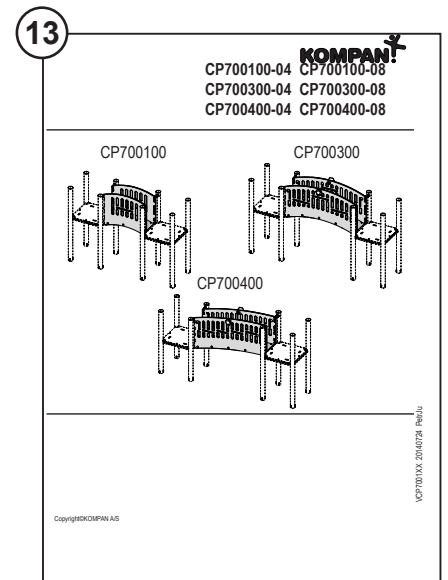
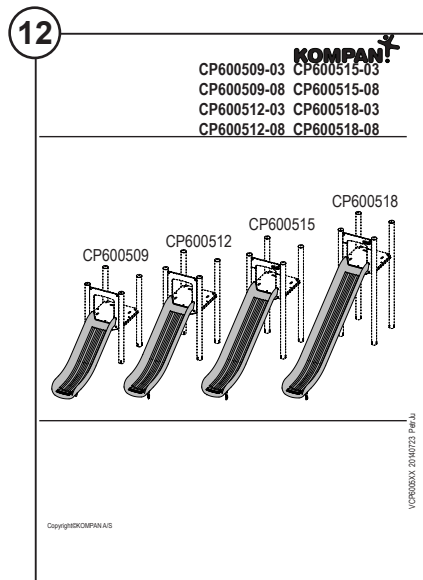
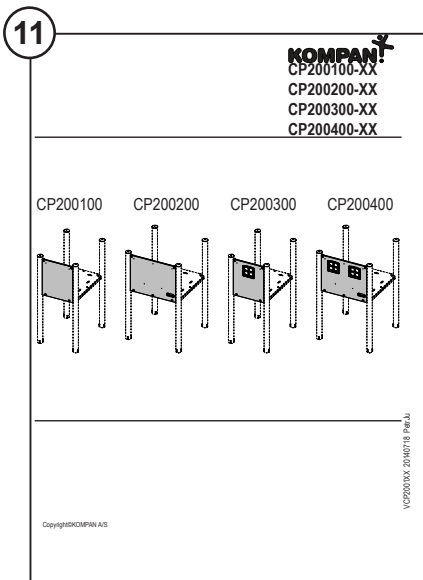


7b - Maan taso puutolpille maa-ankkureilla



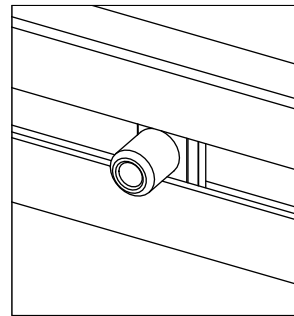
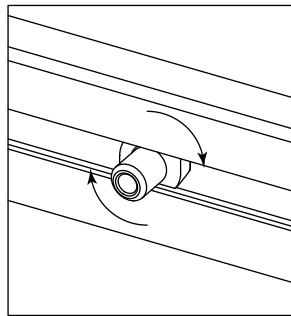
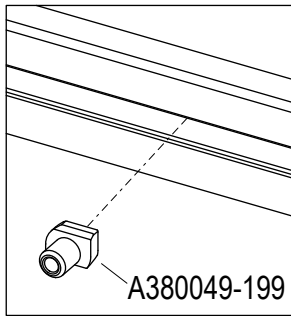
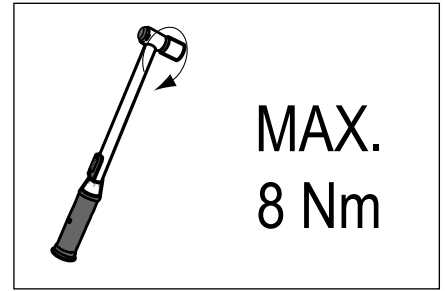
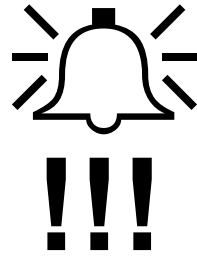
8 - Moduulien kokoaminen

Asenna kukin moduuli sen asennusohjeiden mukaisesti.
Seuraa asennusohjeita sivu kerrallaan. (11,12,13,...)

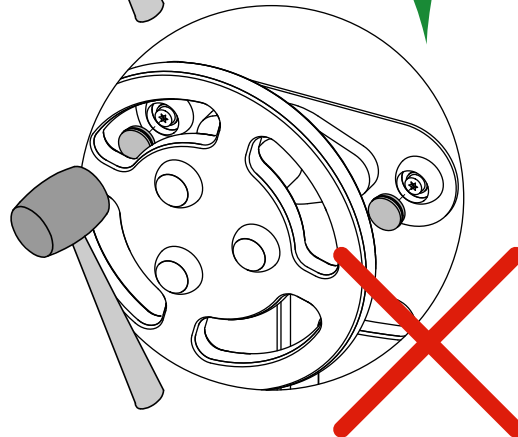
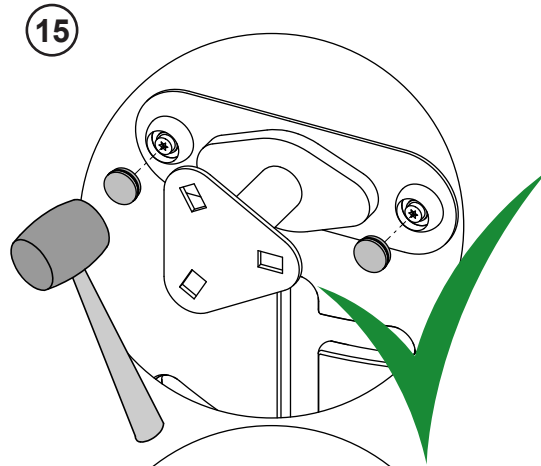
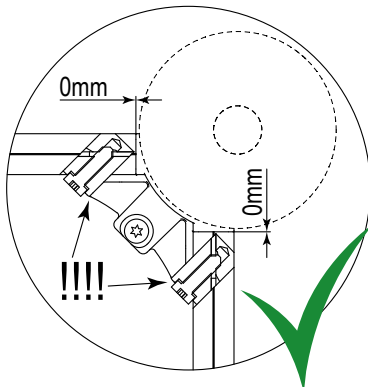
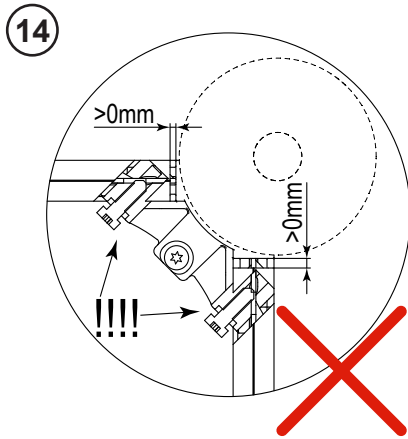


8a - Tärkeää

T-mutterin A380049-199 suurin sallittu momentti on **8Nm!!!**



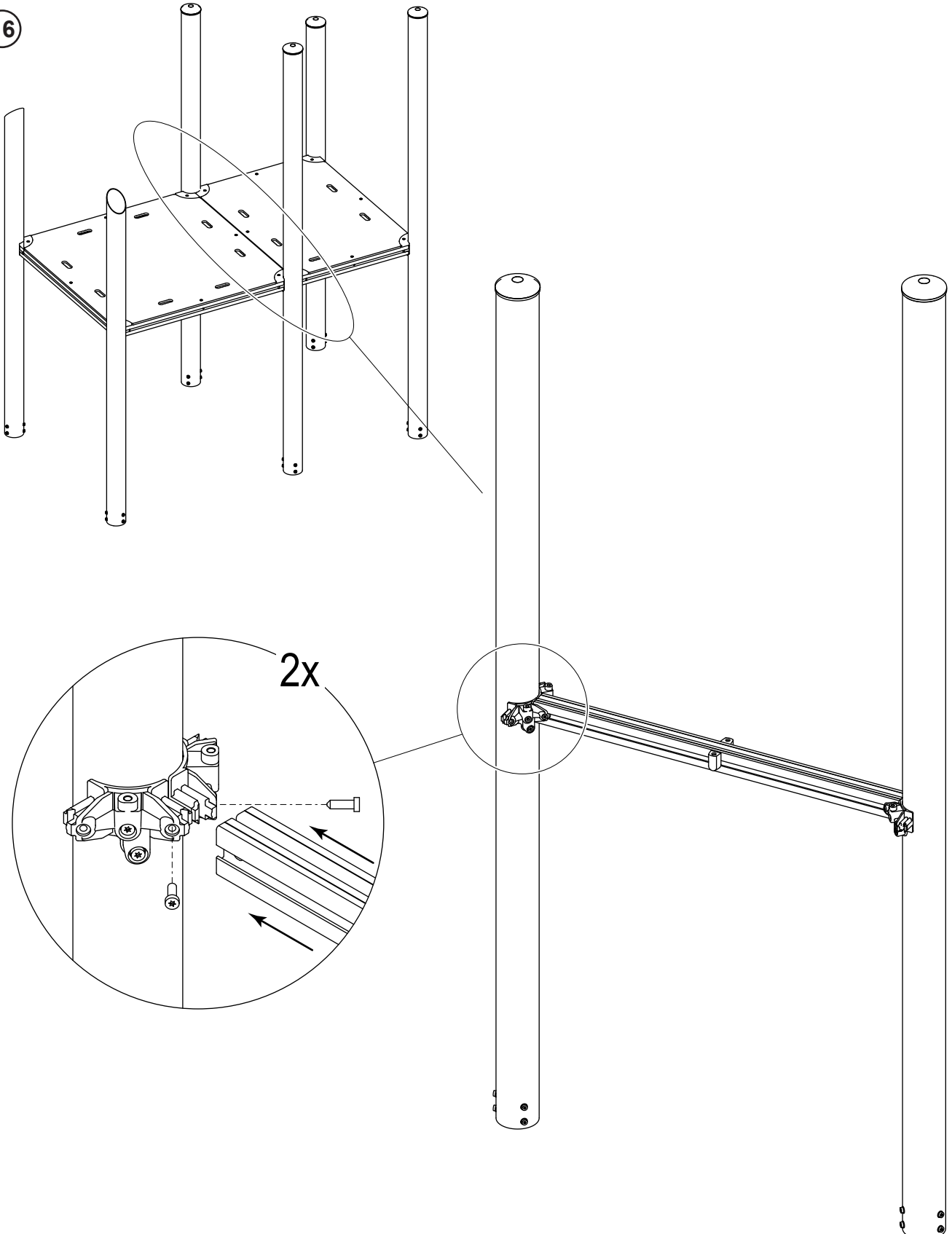
Kiinnitä erityistä huomiota kuviin, joissa esitetään väärät ja oikeat asennustavat. (14, 15, ...)



8b - Kerrosten asennus

Kun kaksi tornia on yhdistetty, kokoa ensin kaksiprofiliset keskitolpat. Jatka sitten asennusta asennusohjeiden mukaisesti. (16)

16

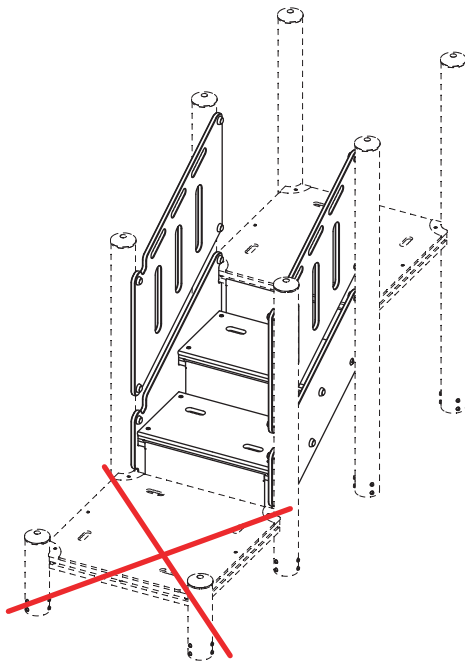


8c - Portaiden (CP500300 ja CP500400) asentaminen

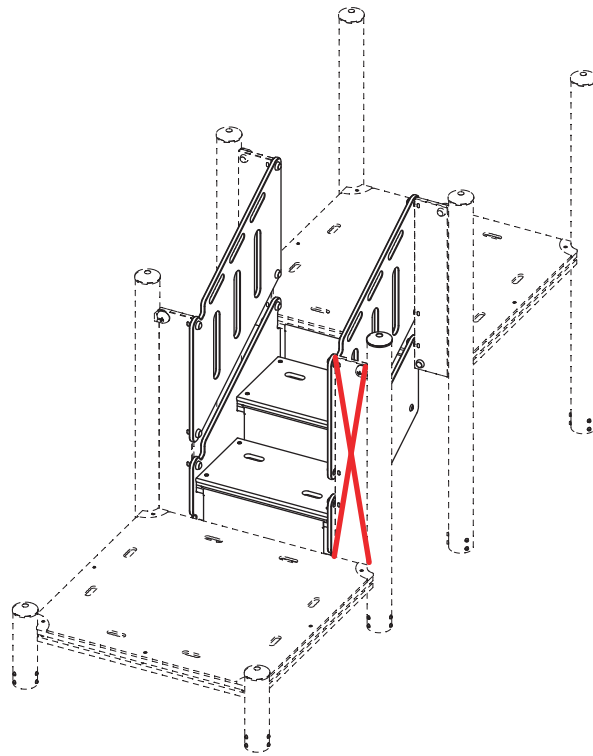
Portaiden (CP500300 ja CP500400) asennuksen onnistumisen ja helppouden kannalta on erittäin tärkeää, että ohjeita noudatetaan sivu sivulta. Alempaa tasoa ei voida koota, ennen kuin pienen tornin portaat on asennettu. (17)

Jotta portaiden asentaminen isoon torniin olisi helppoa, ensin tulee asentaa vain yksi CP402200-paneeli. Toinen paneeli asennetaan porrasmoduulin asennuksen yhteydessä. (18)

17

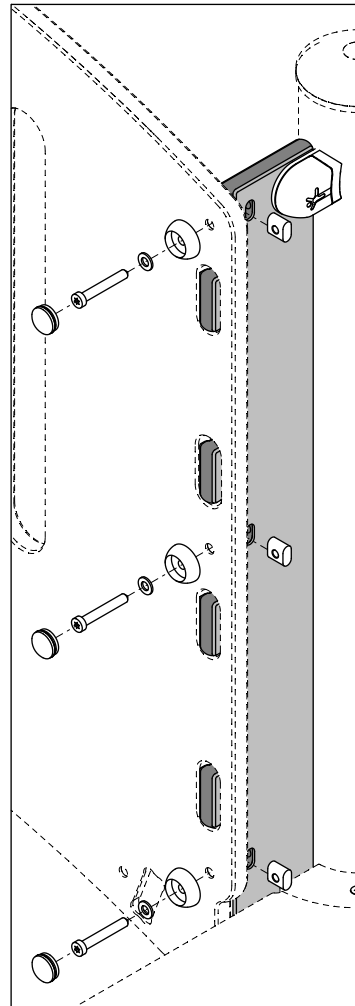
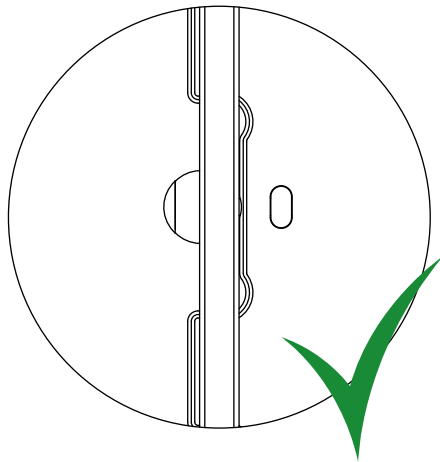
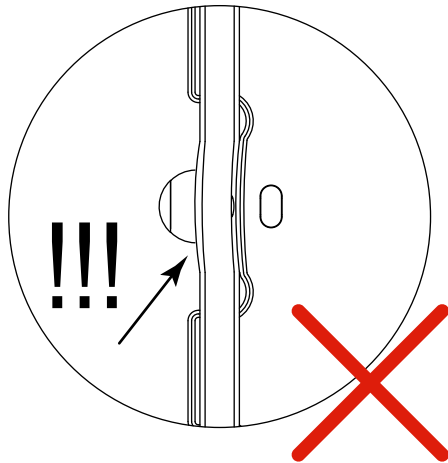


18



8d - Tärkeää

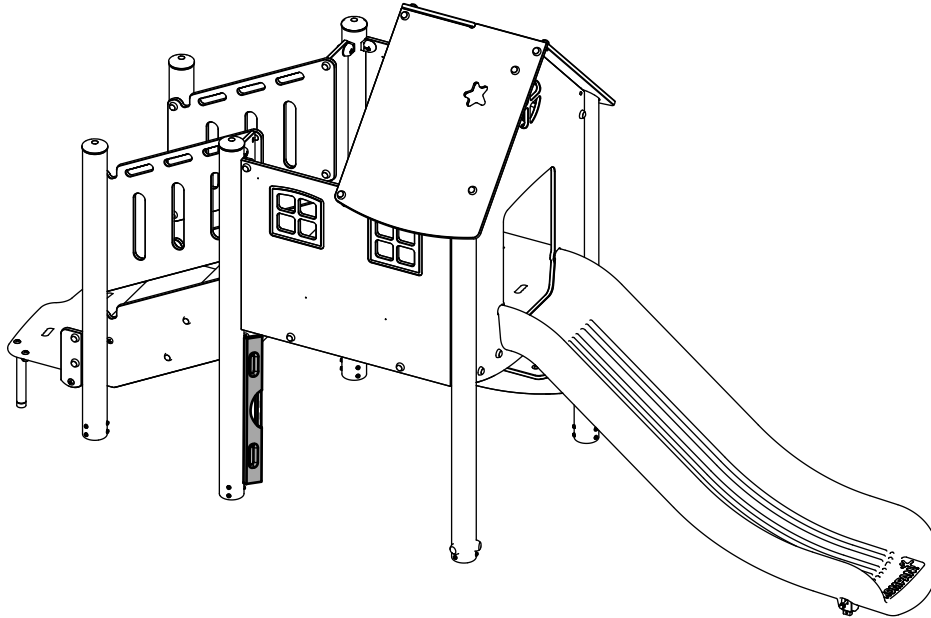
Varmista A400334-liitännän kiristyksen yhteydessä, että paneeli ei väännä (19).

19

9 - Rakennelman suoruuden tarkistaminen

Kun kaikki moduulit on asennettu, tarkista, että lattiat ja tolpat ovat edelleen suorassa. (20)

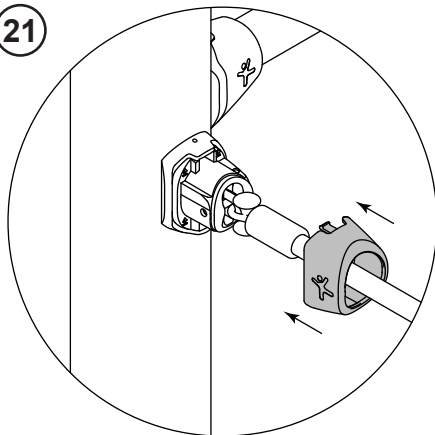
20



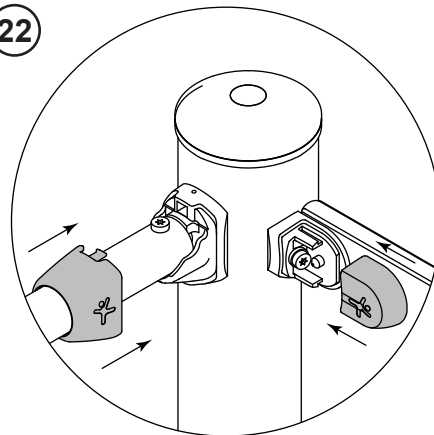
10 - Kaikkien Do-Nut-suojusten ja muiden suojusten asentaminen.

Asenna kaikki Do-Nut-suojukset ja muut suojustet (21,22,23). Muista irrottaa kaikki tarrat paneeleista, teräsosista, tolpista ym. (24)

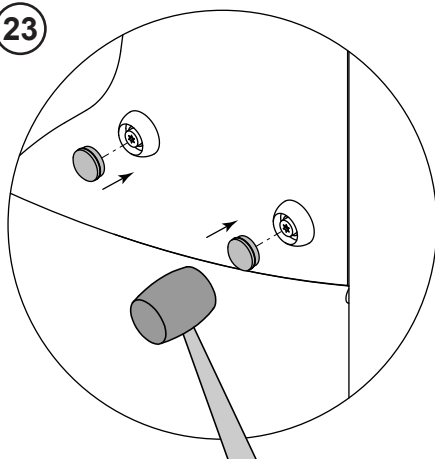
21



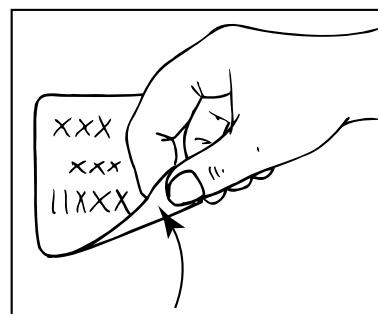
22

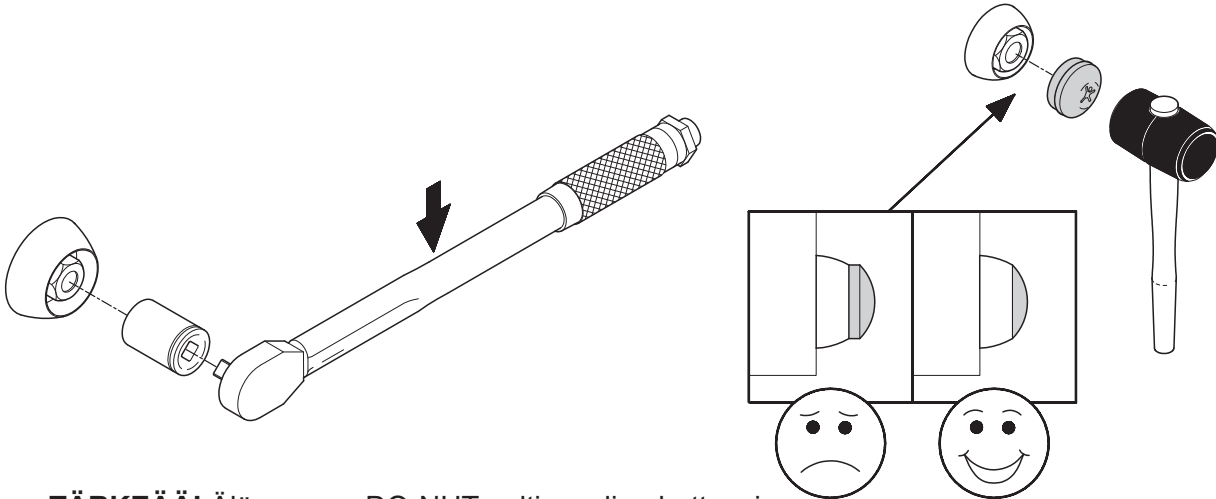


23

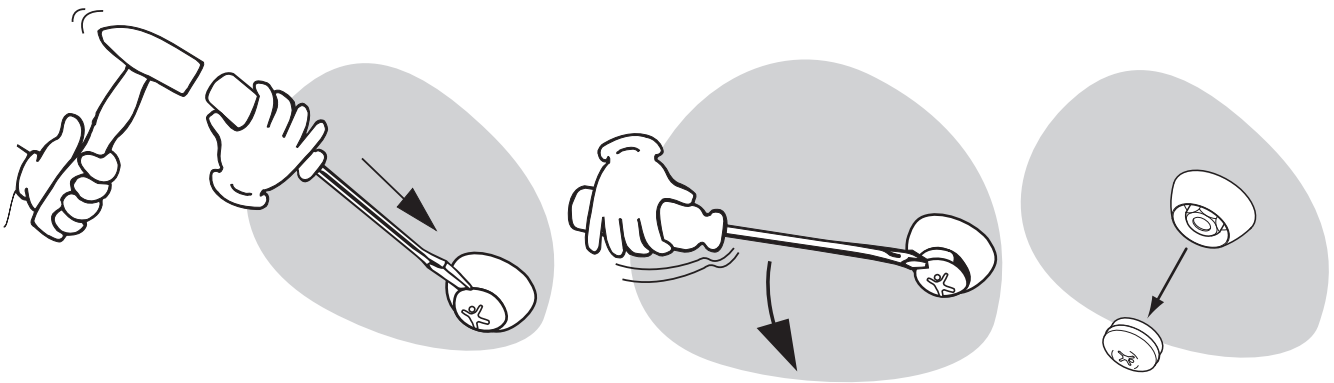


24





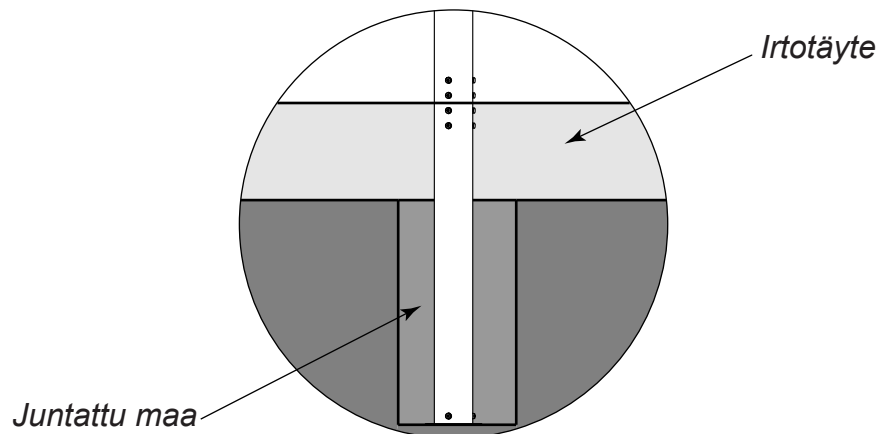
TÄRKEÄÄ! Älä asenna DO-NUT pultinsuojien hattuusia pultinsuojiiin, ennen kuin väline on kokonaan asennettu ja kaikki pultit on kiristetty.



11 - Turva-alueen pinta

Täytä turva-alue pintamateriaalilla jalkalaattojen merkintään saakka. (25)

(25)



Installatie van het KOMPAN CORE PLATFORM-systeem

Deze handleiding beschrijft de installatie van het KOMPAN CORE PLATFORM-systeem.

Belangrijk! Lees deze instructies voordat u met de installatie begint en pak niet alle dozen in één keer uit.

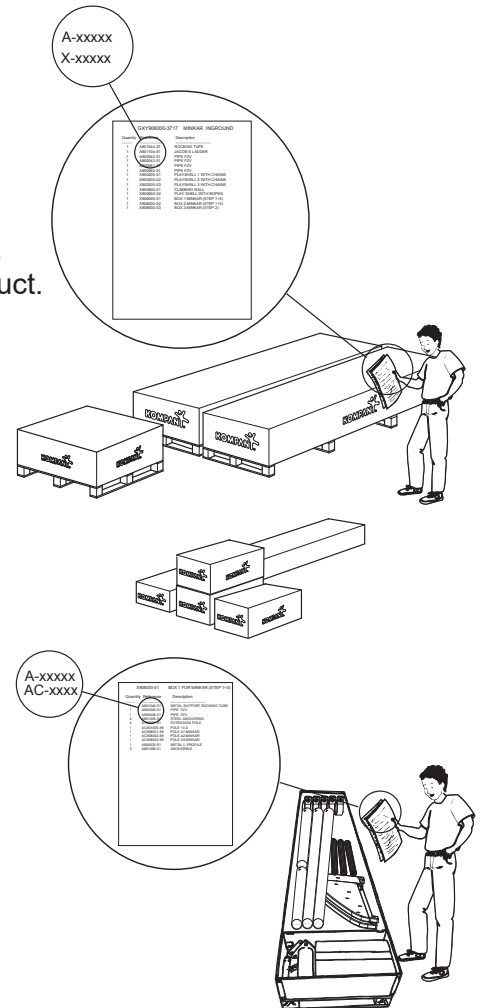
Naast deze algemene instructies vindt u de volgende documentatie:

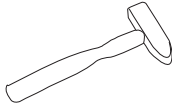
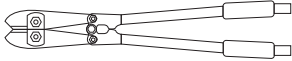


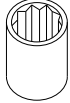
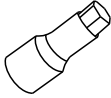
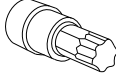
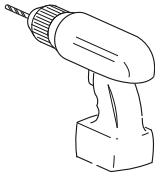
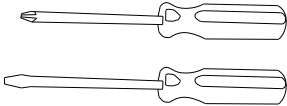

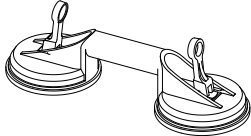

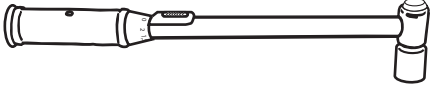
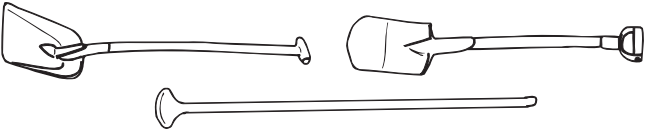
- Een overzichtslijst met alle dozen die u bij de installatie nodig heeft.
- Een producthandleiding met tekeningen van het gemonteerde product.
- De installatie-instructies.

Alle dozen zijn voorzien van een etiket met een referentienummer.

Controleer met behulp van de lijst of alle dozen aanwezig zijn voordat u met de installatie begint.

Controleer vervolgens de inhoud van elke doos aan de hand van de inhoudslijst. U vindt deze per doos aan de binnenzijde van de deksel.



Gereedschap	Afmeting	
Hamer		
Boutensnijder		
Waterpas		
Ratelringsleutel		
Set steeksleutels	13 mm 16 mm 17 mm 19 mm	
Set zeskantsleutels	6 mm	
Torx bit	Tx40	
Set boortjes + boormachine	Ø10mm Ø14mm	
Schroevendraaier		
Meetlint		
Zuignap		
Touw		
Momentsleutel	8 Nm	
Schop + spade + stamper		

1 - Aan de slag.

Zoek de voeten op en controleer of de benodigde ruimte, 1 inclusief veiligheidszone, beschikbaar is.

Zie *productgids voor tekening veiligheidszone.* (1)

2 - Meten

Plaats twee meetlinten kruislings op de plek waar het systeem moet komen te staan. (2)

Gebruik de tekening in de productgids (3) om het punt te vinden waar de meetlinten elkaar moeten kruisen.

Op de tekening wordt dit punt aangegeven met de kruising van lijn X en lijn Y. Zorg dat de meetlinten loodrecht op elkaar staan.

Meet de middelpunten op die voor de funderingen van het systeem zijn aangegeven. Markeer deze punten met knijpers, schroevendraaiers of iets soortgelijks. (4)

Controleer vervolgens of de veiligheidszone rondom het systeem aan de eisen voldoet.

Op de tekening wordt de veiligheidszone aangegeven met een stippellijn rondom het systeem.

De tekening bevat een gearceerd vlak met een nummer (1, 2, 3, 4, 5, 6, enz.) bij elk van de gemarkeerde middelpunten. Het gearceerde vlak geeft de afmeting van de grondplaat aan.

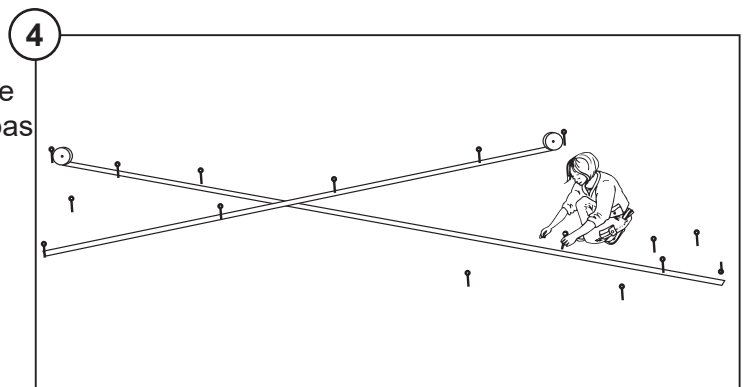
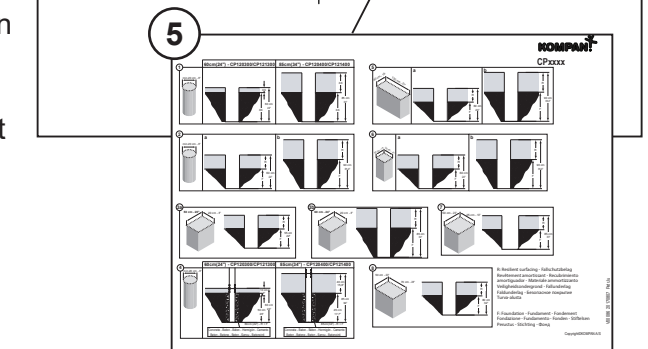
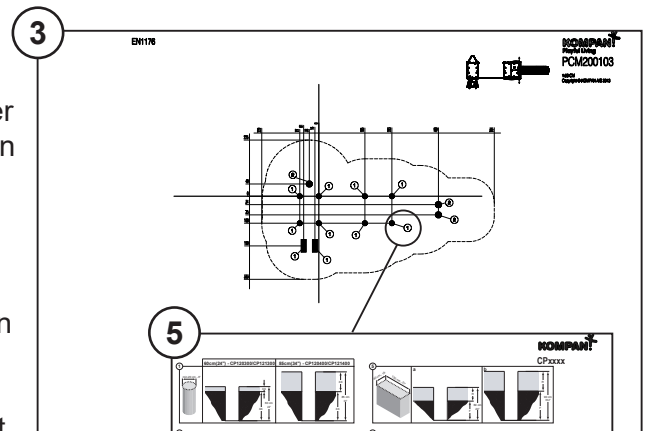
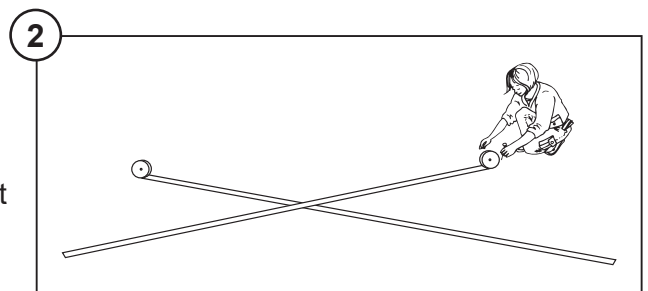
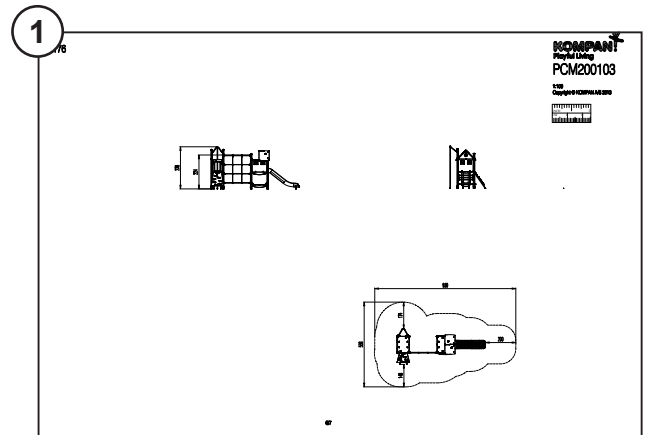
De gearceerde vlakken zijn genummerd, en het nummer verwijst naar een tekening die de afmeting en diepte van het gat laat zien en de hoeveelheid te gebruiken beton.

De tekeningen staan op de laatste pagina van de productgids. Gaat u mechanisch graven, dan is het raadzaam om meerdere funderingsgaten in één enkele uitgraving te combineren. Controleer of de uiteinden van lijn X en lijn Y zijn gemarkeerd voordat u de meetlinten weghaalt om met graven te beginnen. Het is belangrijk om gedurende de installatie steeds te controleren of het systeem op de juiste plek staat.

3 - Gaten voor bodeminbouw

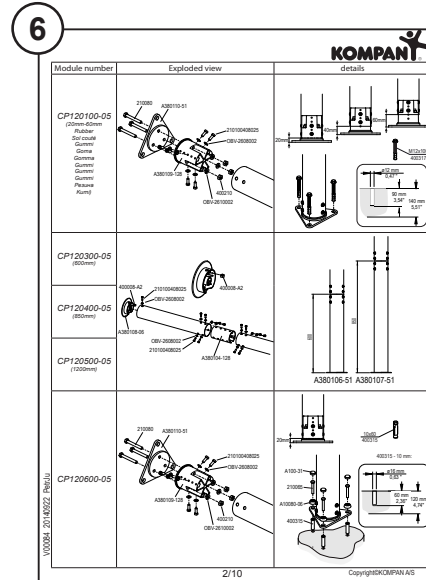
Graaf gaten voor de standers, zie het graafplan (5) waarop staat aangegeven bij welke werkzaamheden beton is vereist.

Belangrijk. Vul de gaten pas op als de installatie is voltooid en het hele systeem stevig en waterpas staat.



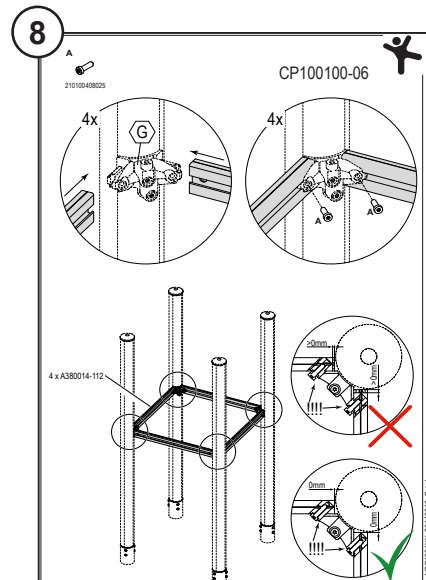
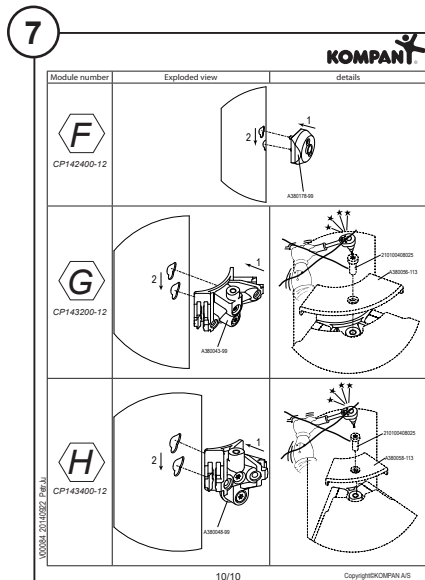
4 - Staanders

Monteer de voeten aan de staanders volgens de instructies (6) en plaats de staanders in de juiste gaten.



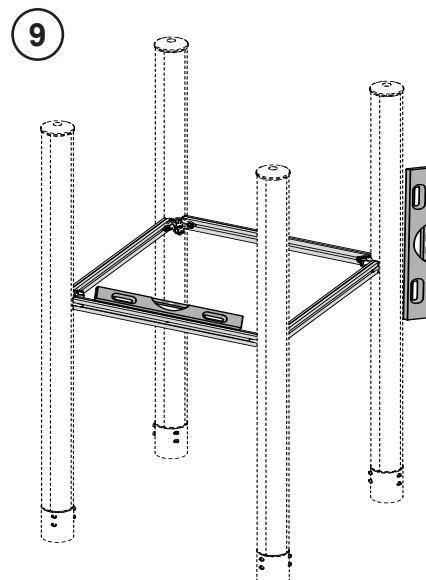
5 - Vloeraansluitingen

Monteer de vloeraansluitingen op de staanders (7) en monteer het vloerframe volgens de instructies (8).



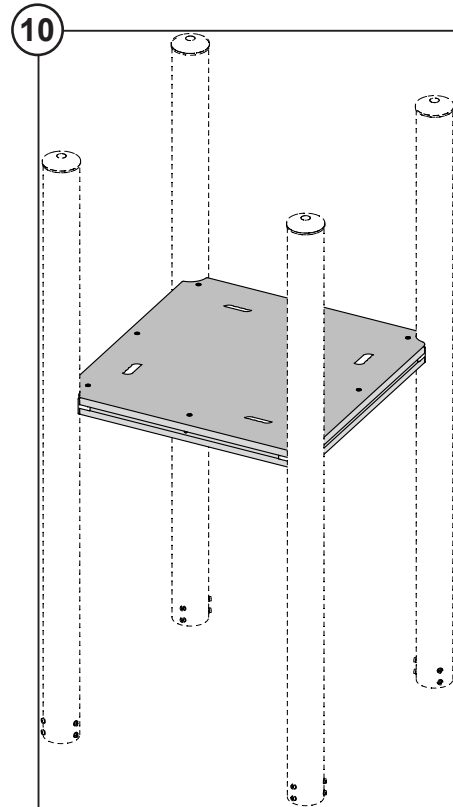
6 - Zet de structuur waterpas

Zet de structuur verticaal en horizontaal waterpas. (9)

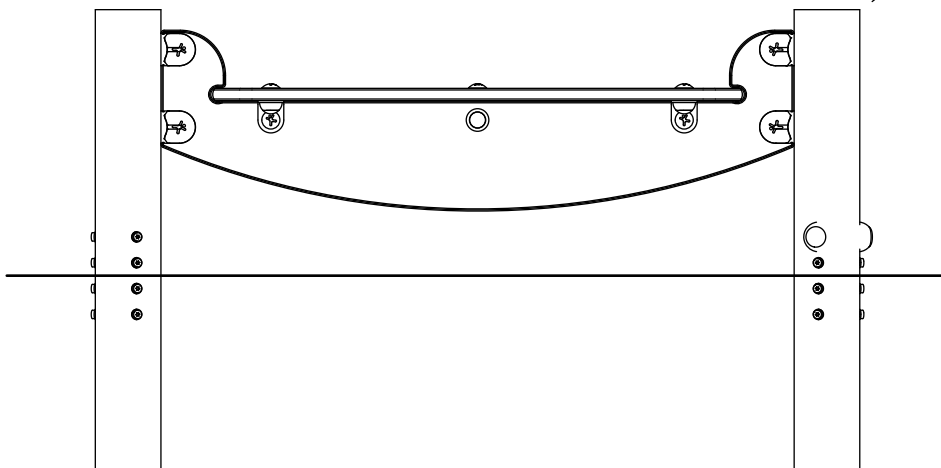
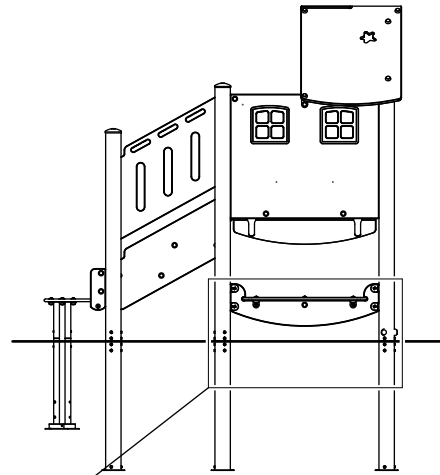


7 - Voltooi de installatie van de vloer

Vervolg de montage van de vloer volgens de installatie-instructies. (10)

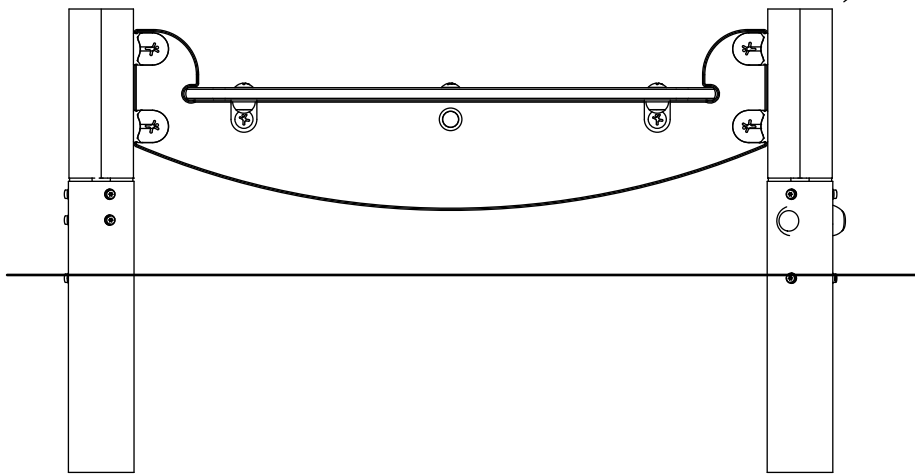
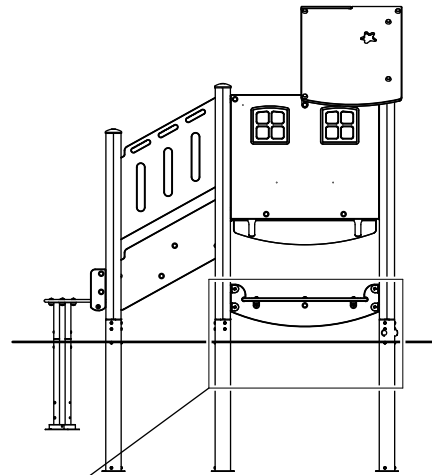


7a - Maaiveld nivo voor metalen palen in de grond.



*Bovenkant van de
veiligheids grond*

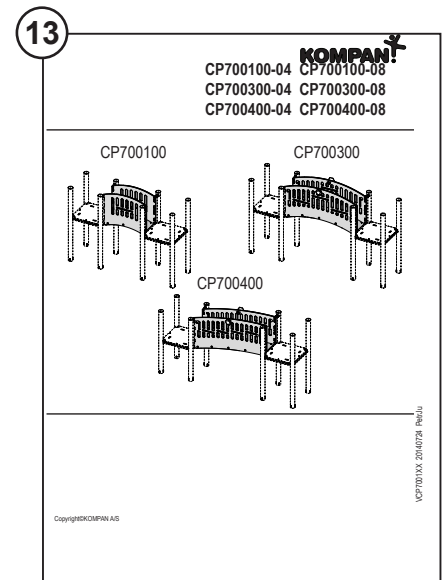
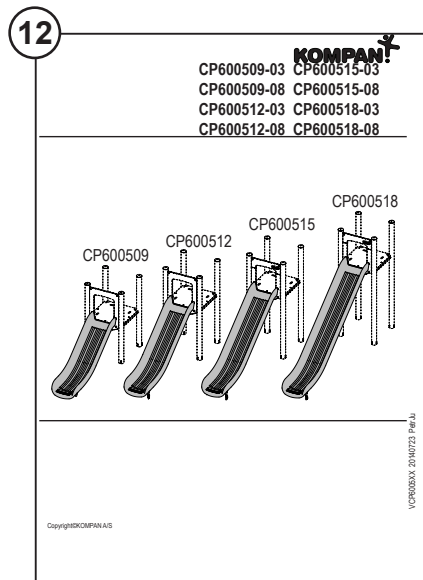
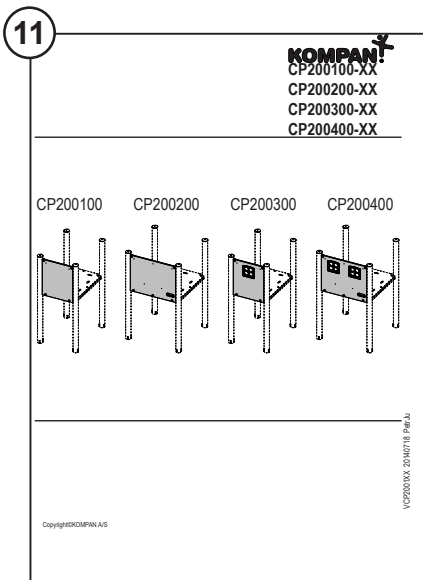
7b - Maaiveld nivo voor houten palen in de grond



Bovenkant van de veiligheids grond

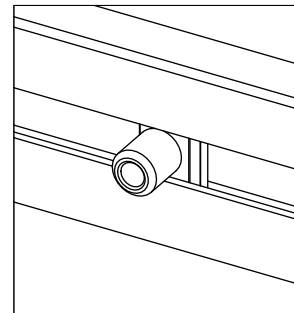
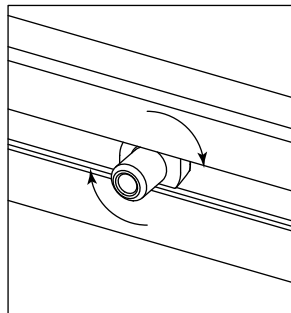
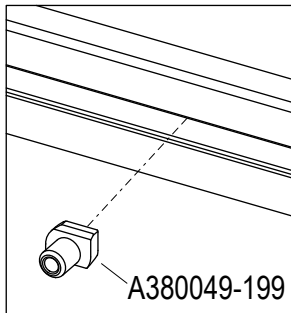
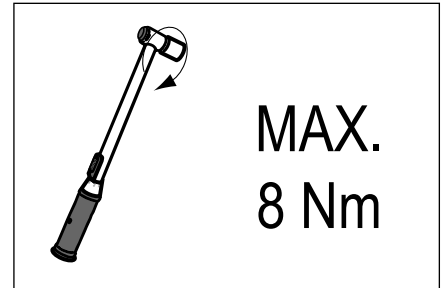
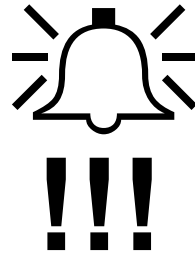
8 - Montage van modules

Installeer elke module volgens de specifieke installatie-instructies. Volg de instructies per pagina op. (11,12,13,...)

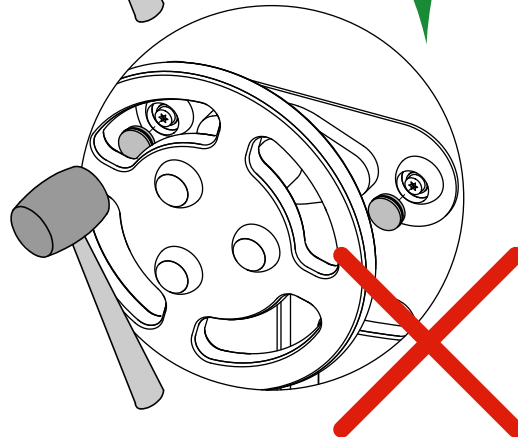
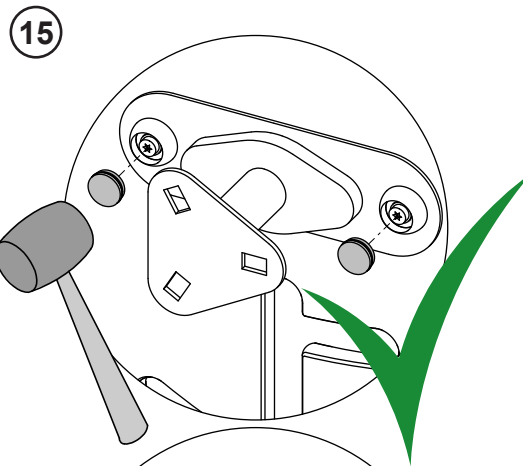
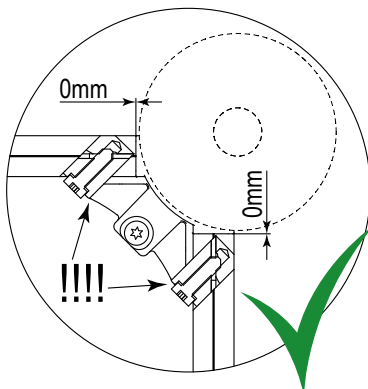
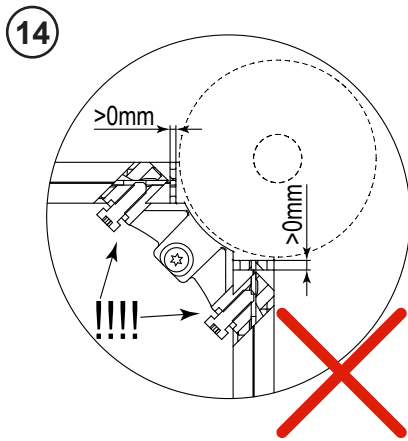


8a - Belangrijke details

Gebruik bij de aansluiting van T-moer A380049-199 het maximale aandraaimoment **8Nm!!!**



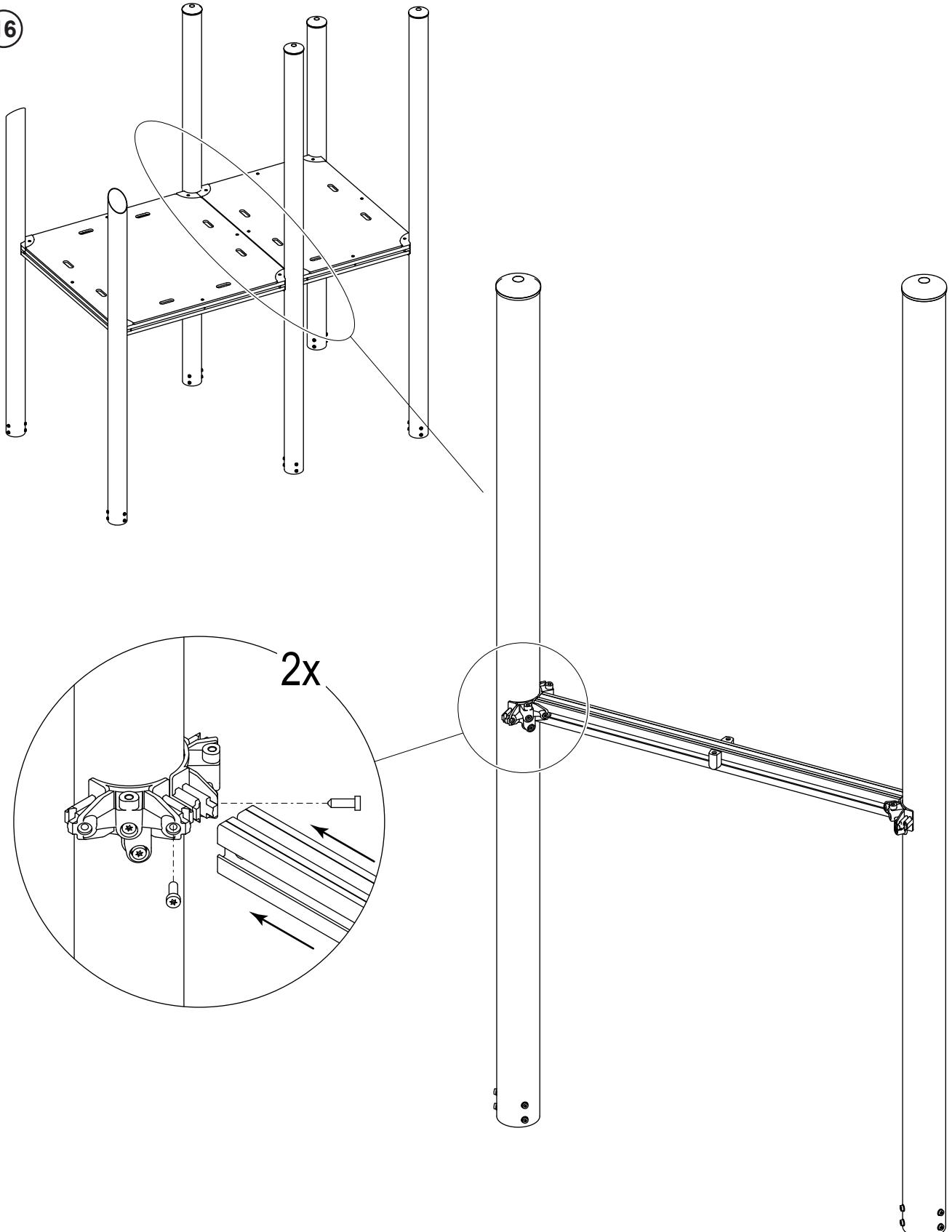
Bekijk de onderstaande tekeningen van een juiste en verkeerde installatie aandachtig. (14, 15,...)



8b - Vloeren aan elkaar verbinden

Zorg bij het verbinden van de twee torens dat u eerst de middelste staanders met de twee profielen monteert. Ga daarna verder met de installatie volgens de instructies. (16)

16



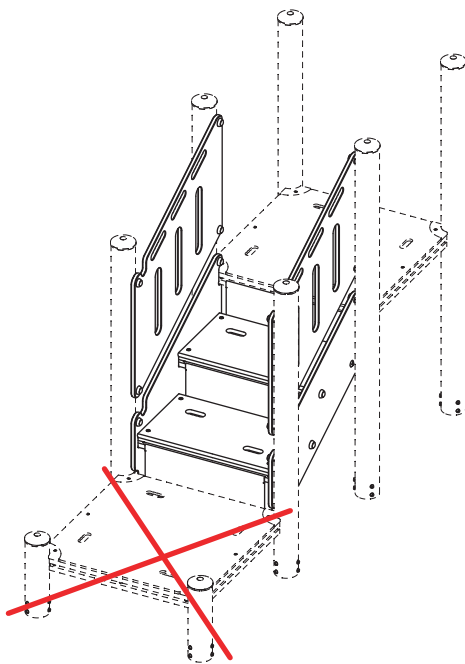
2x

8c - Installatie van de trap (CP500300&CP500400)

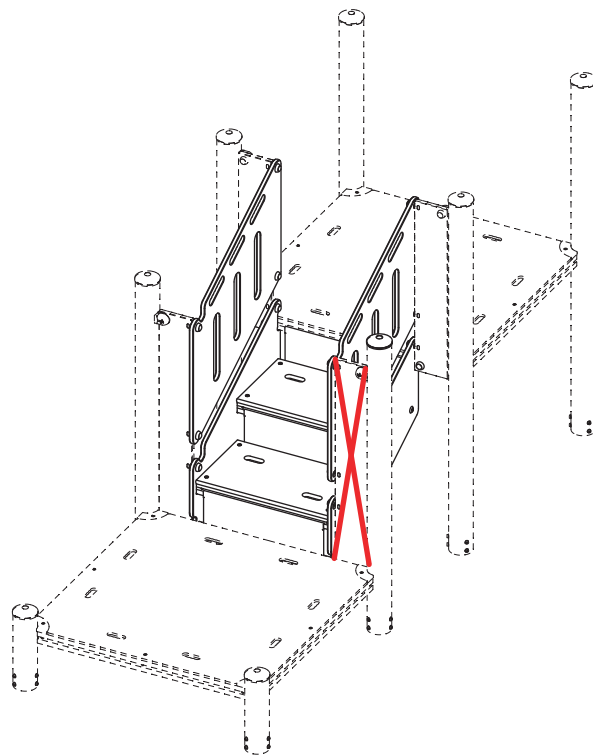
Voor een goede en eenvoudige installatie van de trap (CP500300 en CP500400) is het van groot belang dat u de instructies per pagina opvolgt. Het onderste platform kan pas worden gemonteerd zodra de trap aan de kleine toren is gemonteerd. (17)

Voor een eenvoudige installatie van de trap aan de grote toren is het noodzakelijk dat u enkel één paneel van CP402200 monteert. Het andere paneel wordt tijdens de installatie van de trapmodule gemonteerd (18)

17



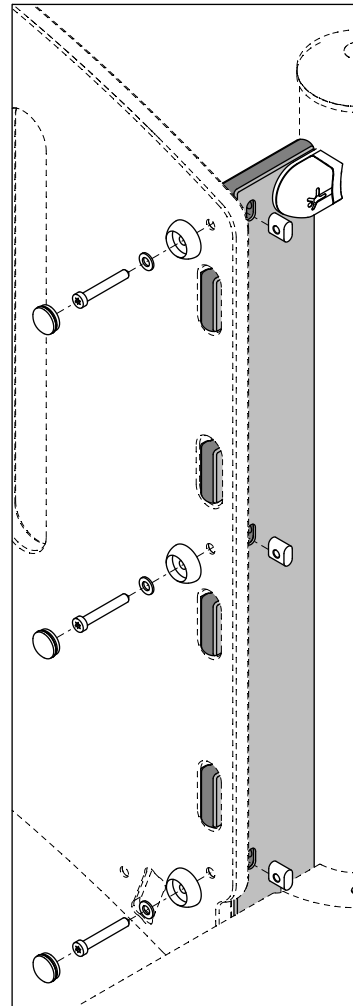
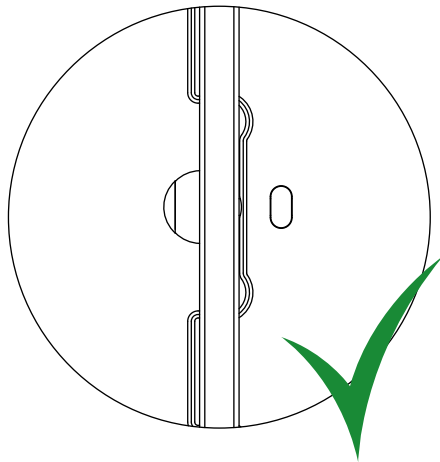
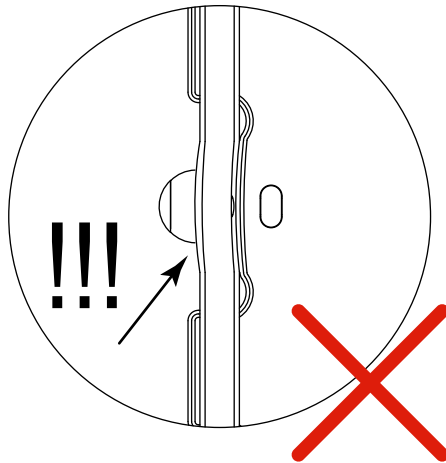
18



8d - Belangrijke details

Zorg dat de panelen niet vervormen bij het aandraaien van de verbinding met A400334!!! (19)

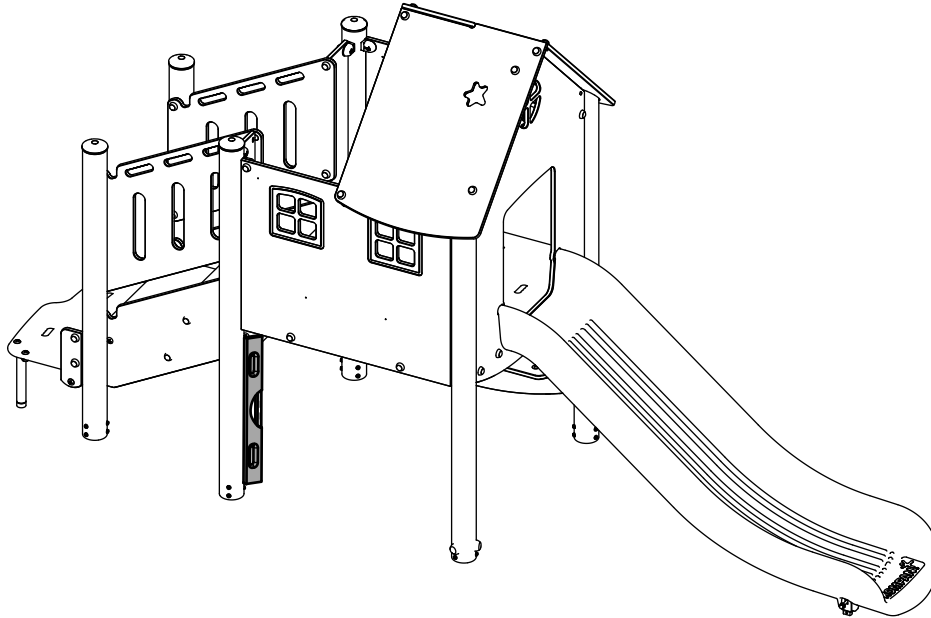
19



9 - Controleer of het toestel waterpas staat

Controleer na de installatie van alle modules of de vloer en staanders nog waterpas zijn. (20)

20

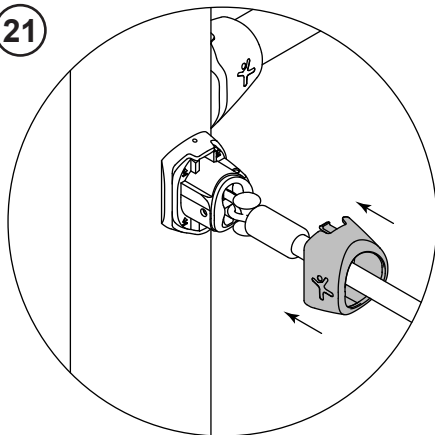


10 - Installeer alle afdichtingen en Do-nut kappen.

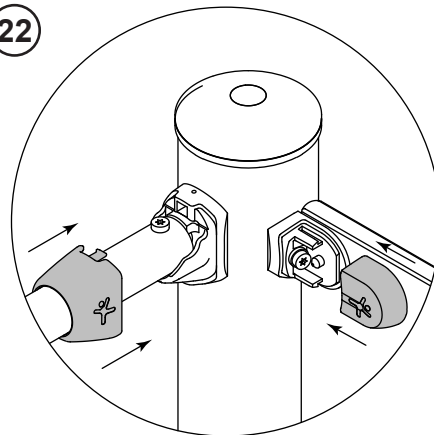
Installeer alle afdichtingen en Do-nut kappen. (21,22,23)

Verwijder alle etiketten van de panelen, stalen onderdelen, staanders, enz... (24)

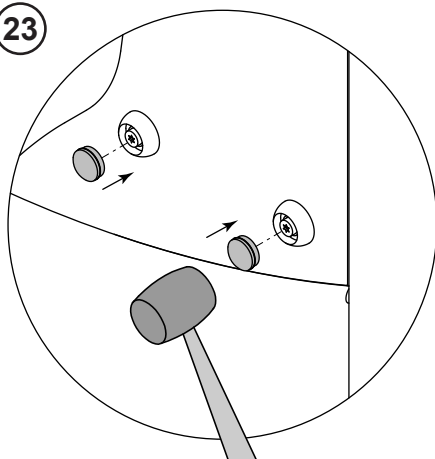
21



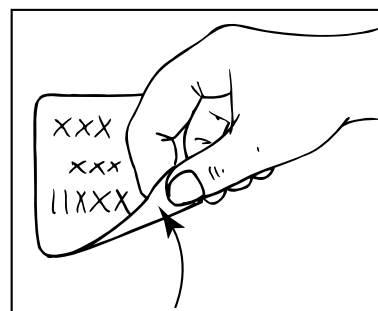
22

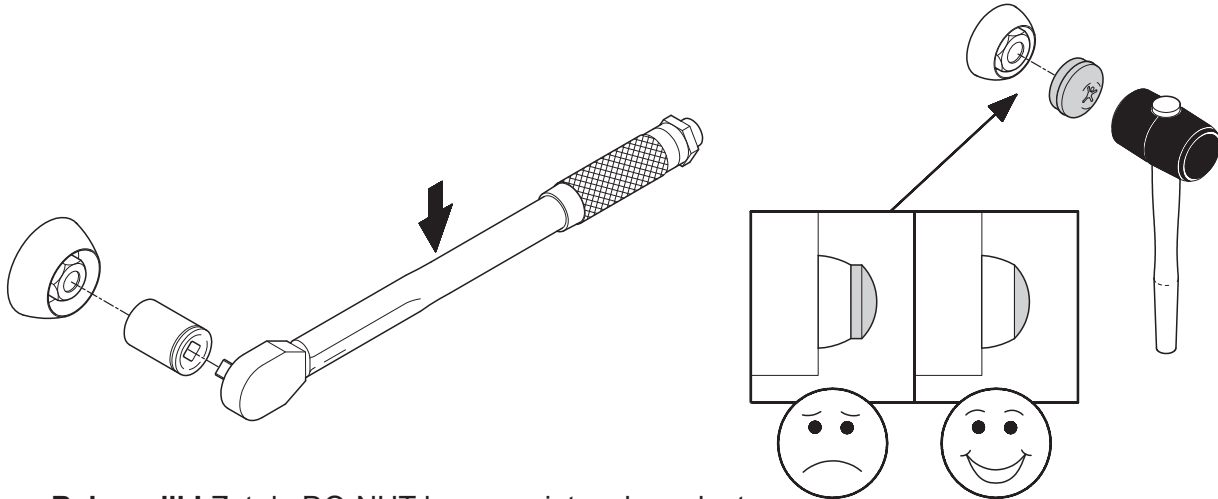


23

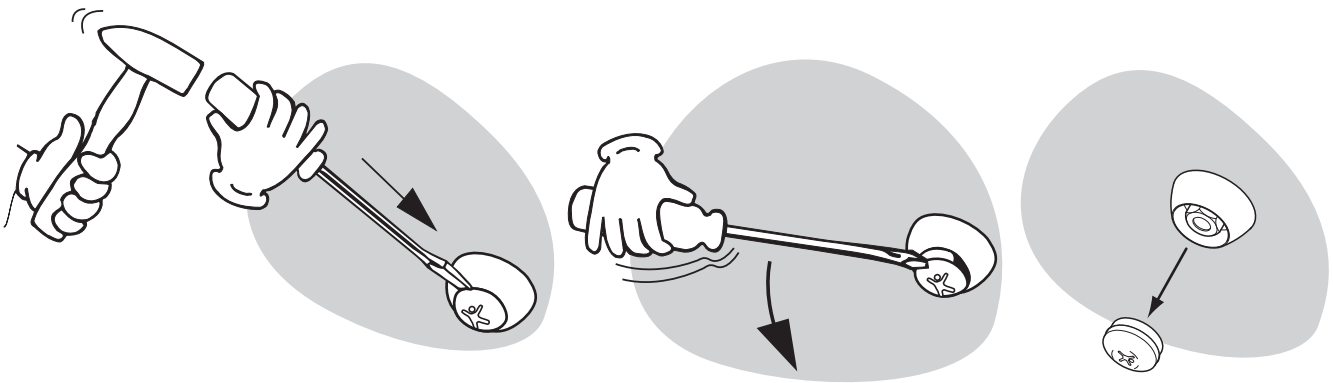


24





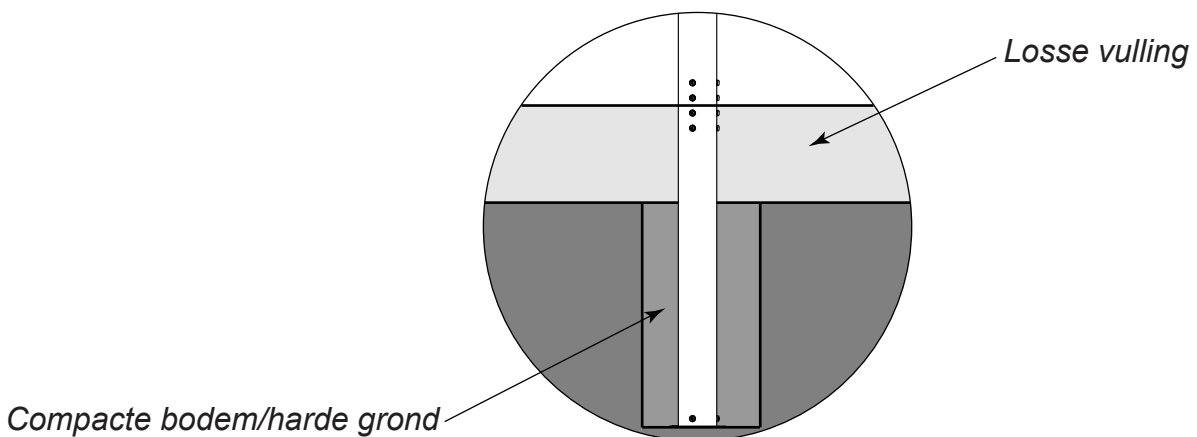
Belangrijk! Zet de DO-NUT kappen niet op hun plaats voordat de hele combinatie in elkaar zit en alle bouten gespannen zijn.



11 - Veiligheidszone

Vul de veiligheidszone op met bedekkingsmateriaal tot aan de niveaumarkering op de voet. (25)

25



Установка системы БАЗОВОЙ ПЛАТФОРМЫ “КОМПАН”

Данные инструкции описывают процесс установки системы БАЗОВОЙ ПЛАТФОРМЫ “КОМПАН”.

ВНИМАНИЕ! Прежде чем приступить к установке прочтите данные инструкции, не распаковывайте материал сразу же.

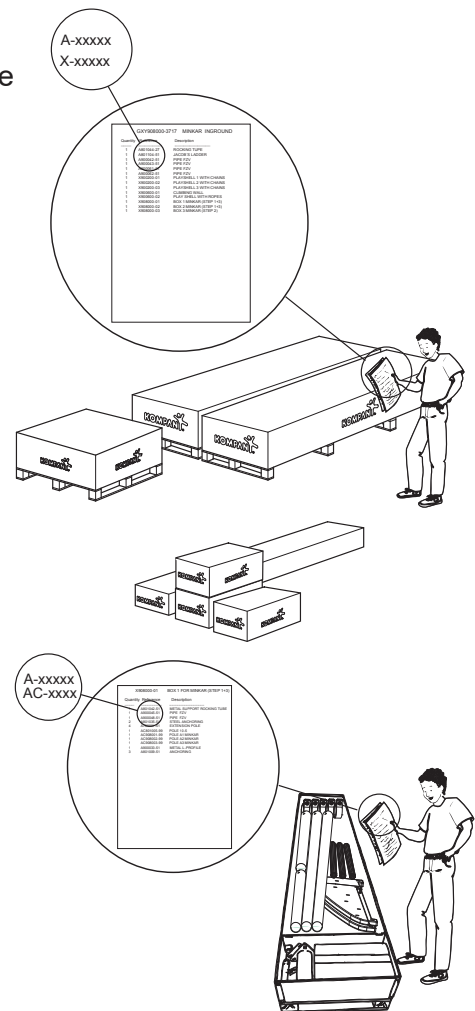
В дополнение к общим инструкциям Вам предоставляется следующая документация:

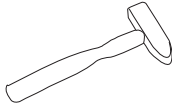
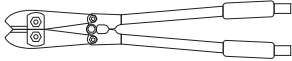


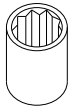
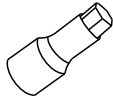
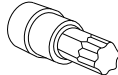
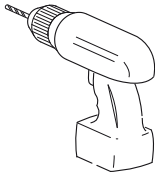
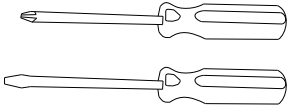

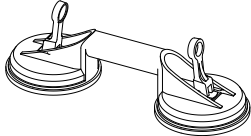

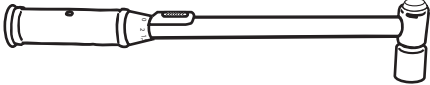
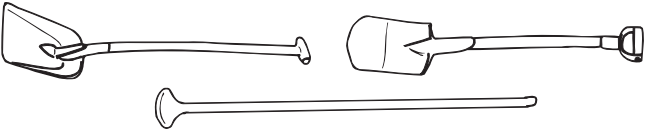
- Список упаковок, в котором перечислены все упаковки с материалом, который будет использоваться при установке.
- Руководство по эксплуатации продукции, содержащее рисунки собранной продукции
- Инструкции по установке

Все упаковки содержат этикетки с контрольными номерами.

Перед началом установки проверьте наличие всех упаковок в соответствии со списком упаковок.

Затем проверьте содержание каждой коробки в соответствии со списком содержимого сверху коробки.



Инструмент	Размеры	
Молоток		
Болторез		
Строительный уровень		
Гаечный ключ с храповиком		
Комплект торцевых ключей	13 mm 16 mm 17 mm 19 mm	
Комплект шестигранных ключей	6 mm	
Наконечник звездообразного ключа	Tx40	
Комплект сверл + дрель	Ø10mm Ø14mm	
Отвертка		
Мерная лента		
Монтажная присоска		
Шнур		
Динамометрический ключ	8 Nm	
Совок + лопата + трамбующий брус		

1 - С чего начать.

Начните с определения местоположения опор и проверки наличия необходимого пространства, включая зону безопасности.

План зоны безопасности подан в Руководстве по эксплуатации продукции. (1)

2 - Отмер

Поместите две мерные ленты крест-накрест в месте, отведенном для установки системы. (2)

Для определения точки пересечения мерных лент обратитесь к схеме в Руководстве по эксплуатации продукции (3). На рисунке обозначена точка пересечения линии X и линии Y. Удостоверьтесь, что мерные ленты лежат перпендикулярно.

Отмерьте центральные точки, указанные для установки фундамента всей системы. Отметьте эти точки при помощи штифтов, отверток и т.п.. (4) Затем проверьте, что зона безопасности вокруг системы соответствует требованиям.

Отмерьте центральные точки, указанные для установки фундамента всей системы. Отметьте эти точки при помощи штифтов, отверток и т.п.. (4) Затем проверьте, что зона безопасности вокруг системы соответствует требованиям.

На схеме показана обведенная область с номерами (1, 2, 3, 4, 5, 6, и т.д.) в каждой из отмеченных центральных точек. Обведенная область обозначает размер плиты фундамента.

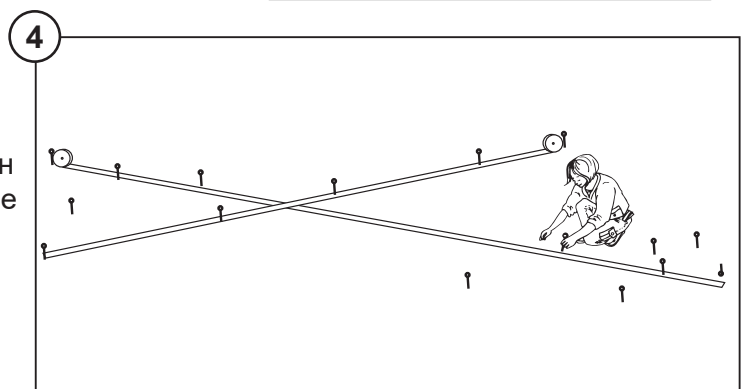
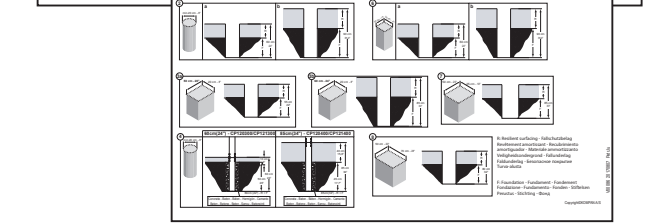
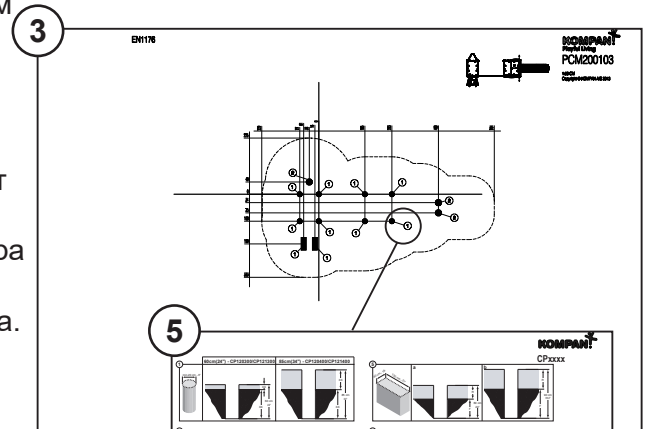
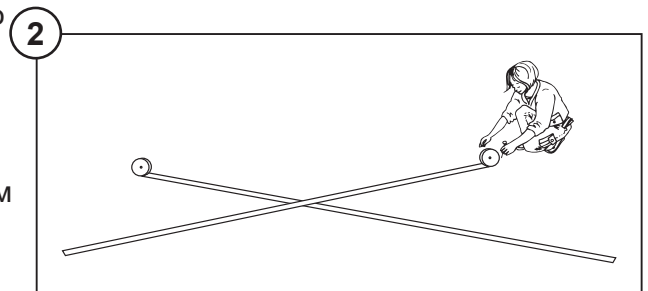
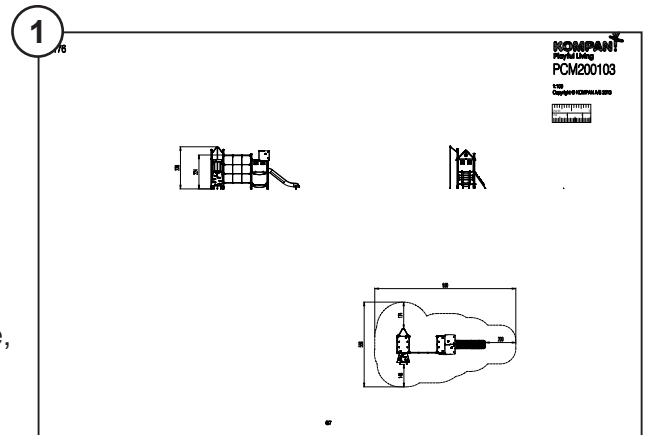
Каждая обведенная область пронумерована и номера отсылают к рисунку, на котором указаны размер, глубина отверстий и необходимое количество бетона. Рисунки находятся на последней странице Руководства по эксплуатации продукции.

При механическом копании желательнее объединить несколько ям для фундамента в одну. Прежде чем удалить мерную ленту, убедитесь, что концы линий X и Y отмечены для копания. В процессе установки важно иметь возможность проверить и удостовериться, что система расположена правильно.

3 - Ямы для установки опор под уровнем грунта

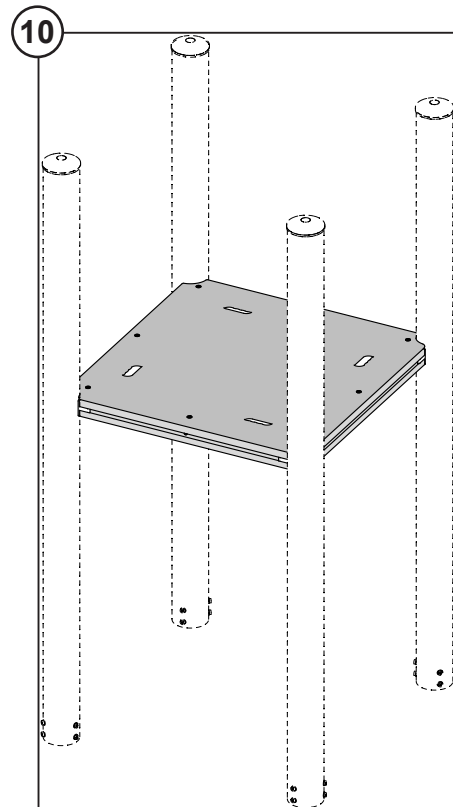
Выройте ямы для поперечных балок, см. план копания (5), в нем указаны работы требующие заливки бетоном.

Обратите внимание. Не заполняйте ямы, не завершив предварительно полную сборку конструкции в вертикальном положении.

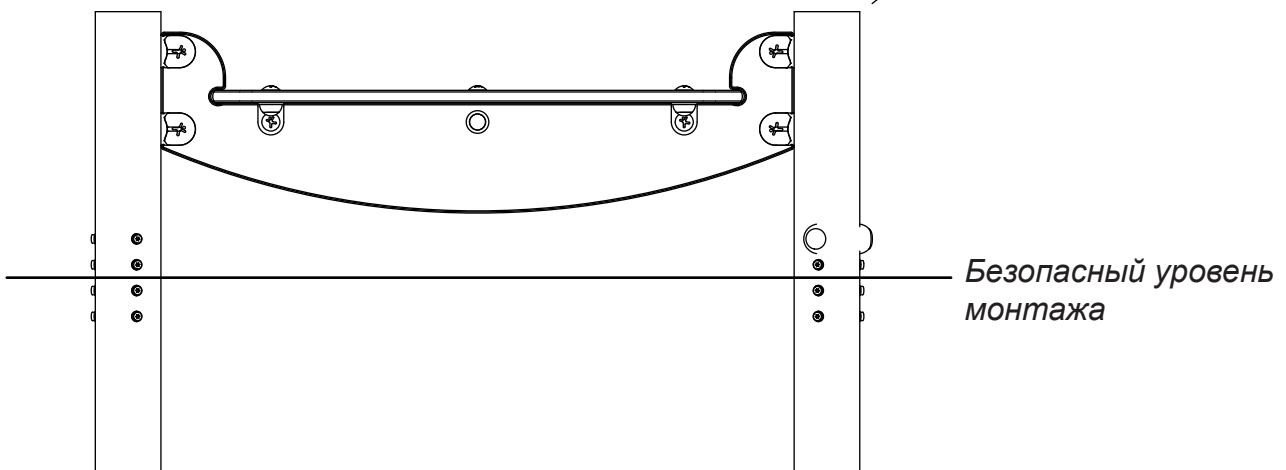
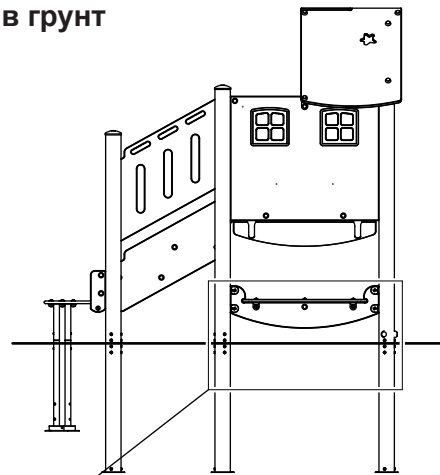


7 - Полная установка перекрытия

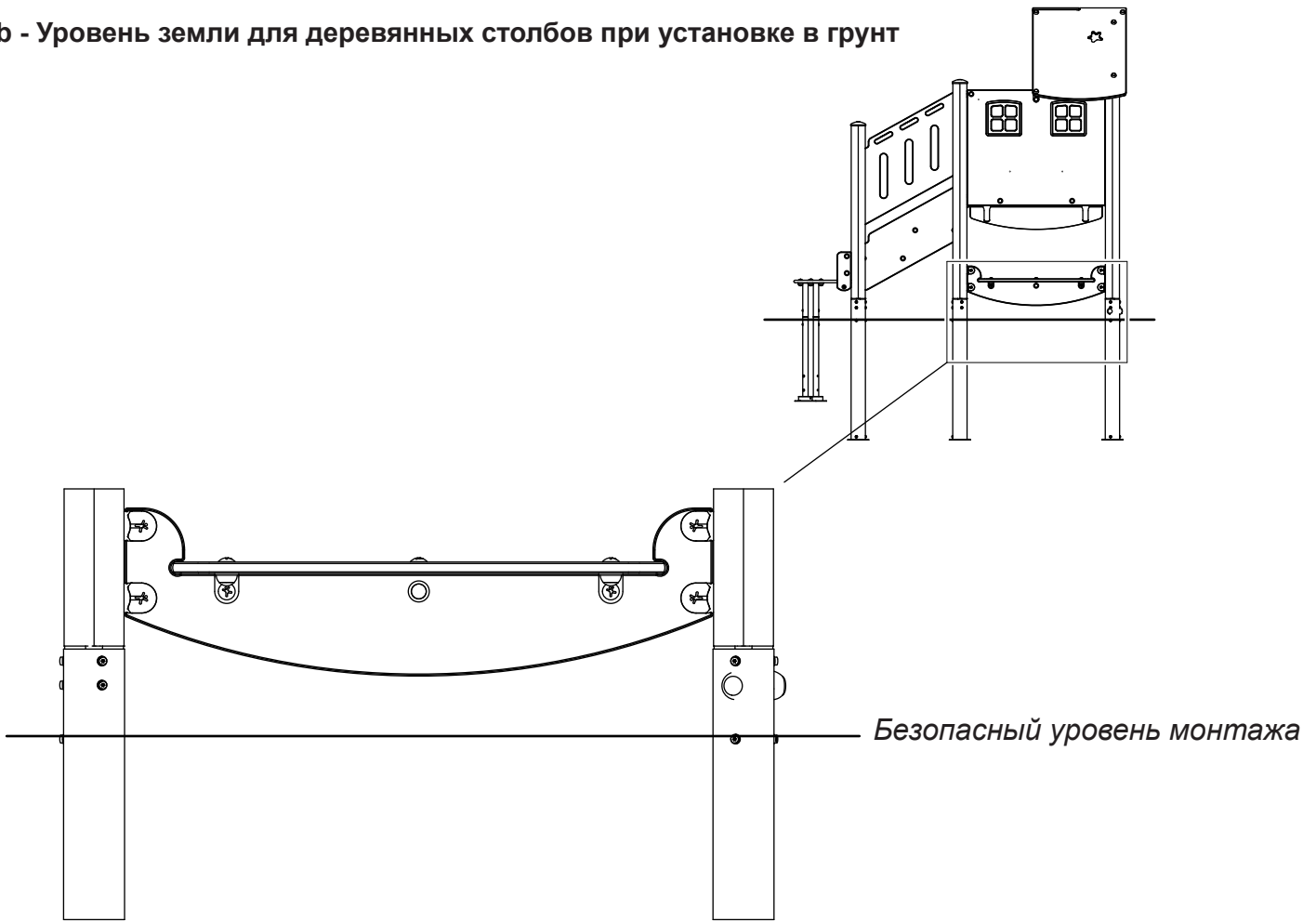
Продолжайте сборку перекрытия согласно инструкциям по установке. (10)



7а - Уровень земли для стальных столбов при установке в грунт

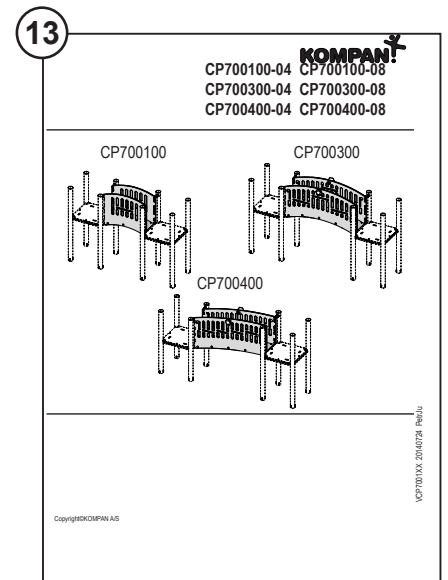
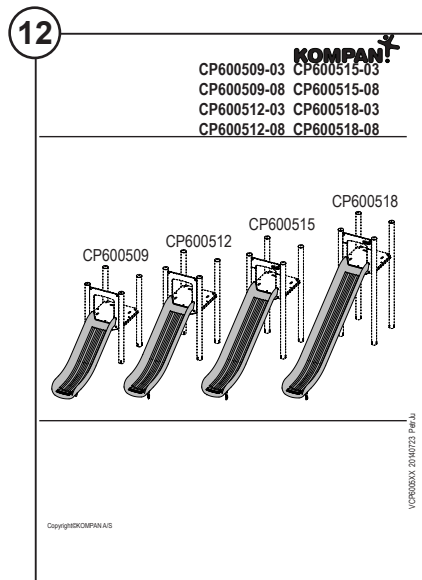
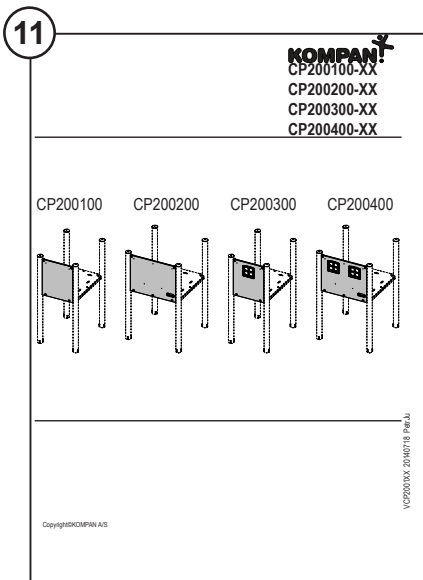


7b - Уровень земли для деревянных столбов при установке в грунт



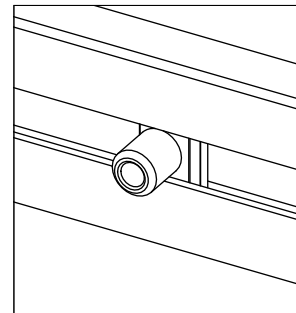
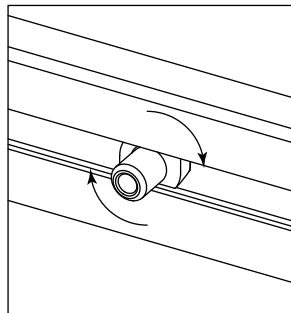
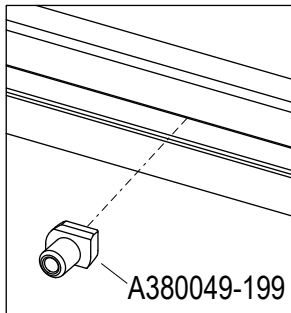
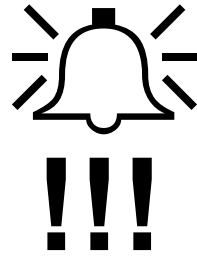
8 - Сборка модуля

Установите каждый модуль согласно инструкции по установке модуля. Следуйте инструкциям по установке постранично.
(11, 12, 13,...)

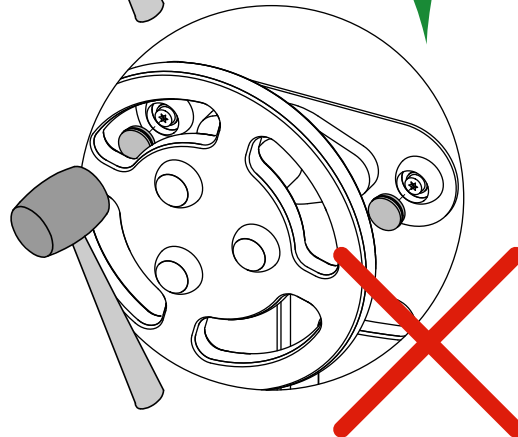
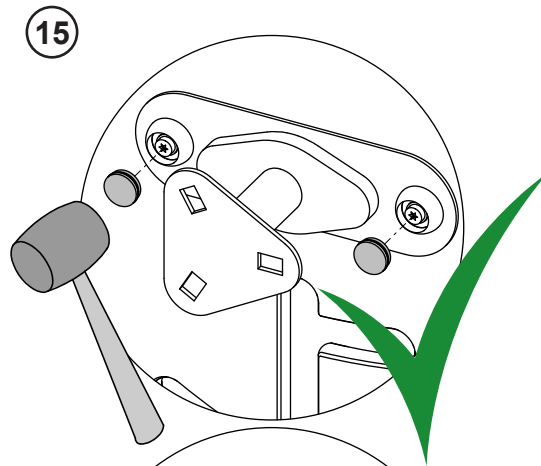
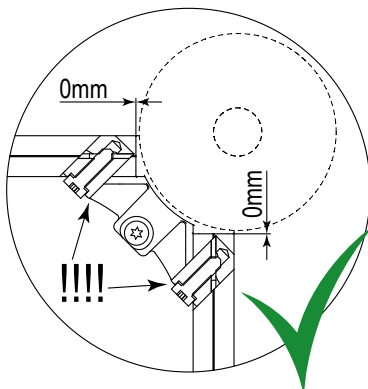
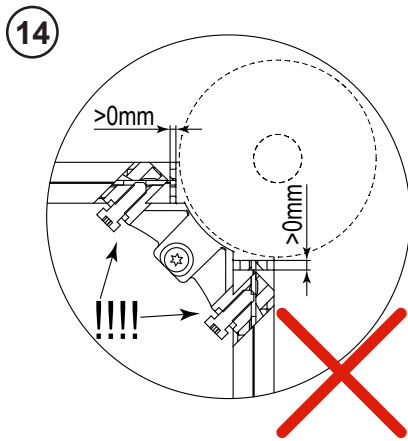


8a - Важно

Для работы с Т-образной гайкой А380049-199 используйте ключ на **8 Нм** максимум!!!



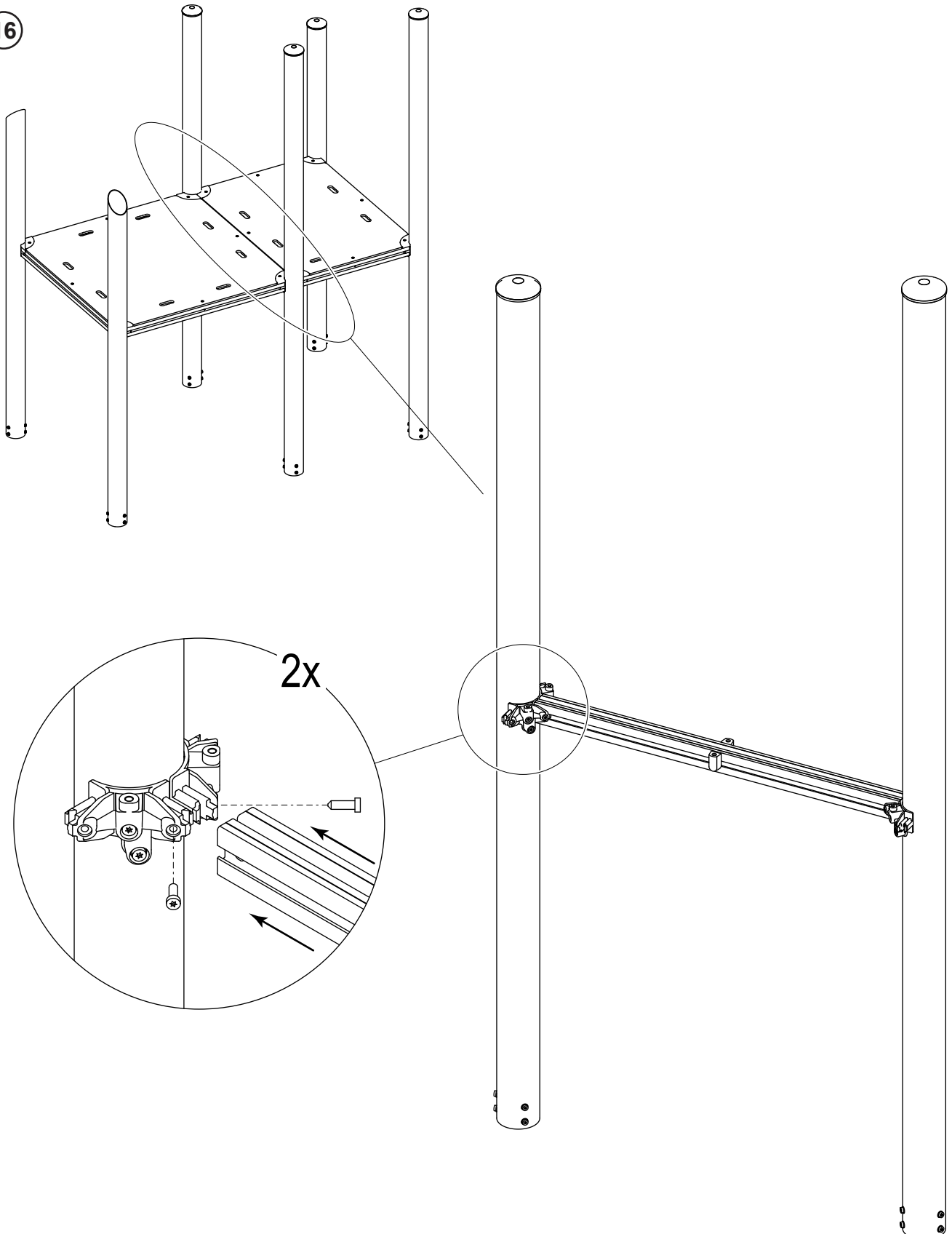
Обратите внимание на изображение правильной и неправильной установки. (14, 15,...)



8b - Полная установка перекрытий

Сразу после соединения двух башенных опор, смонтируйте серединные балки с двумя профилями. Затем продолжайте установку согласно инструкциям. (16)

16

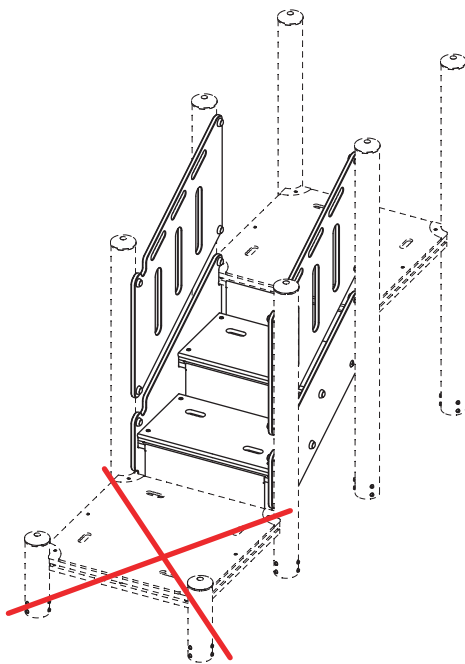


8с - Установка лестницы (CP500300&CP500400)

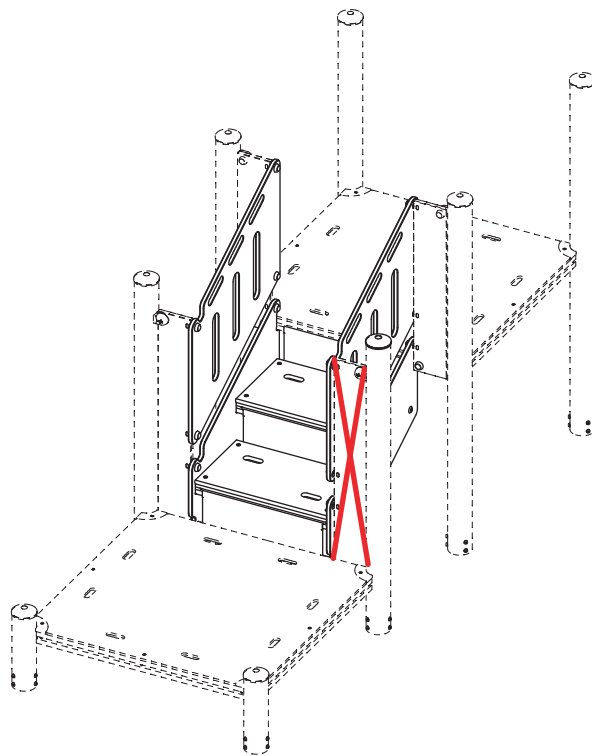
Чтобы установить лестницу (CP500300 и CP500400) правильно и легко, необходимо следовать инструкциям по установке постранично. Более низкую платформу нельзя будет смонтировать, пока на малой башенной опоре не будет установлена лестница.(17)

Чтобы легко установить лестницу на большой башенной опоре необходимо установить только одну панель CP402200. Другая панель монтируется при установке модуля лестницы. (18)

17

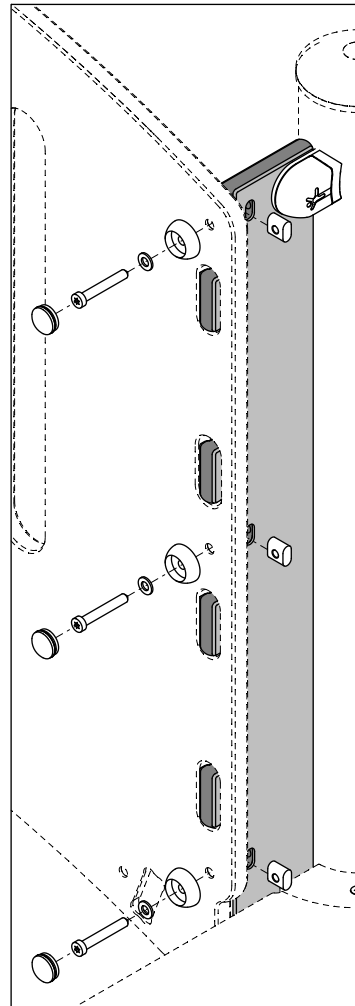
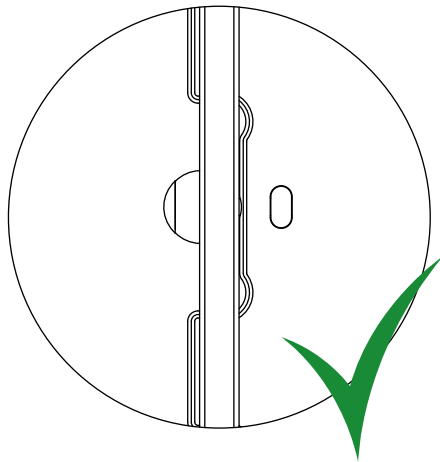
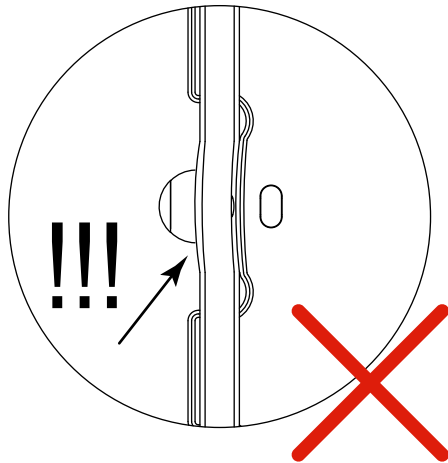


18



8d - Важно

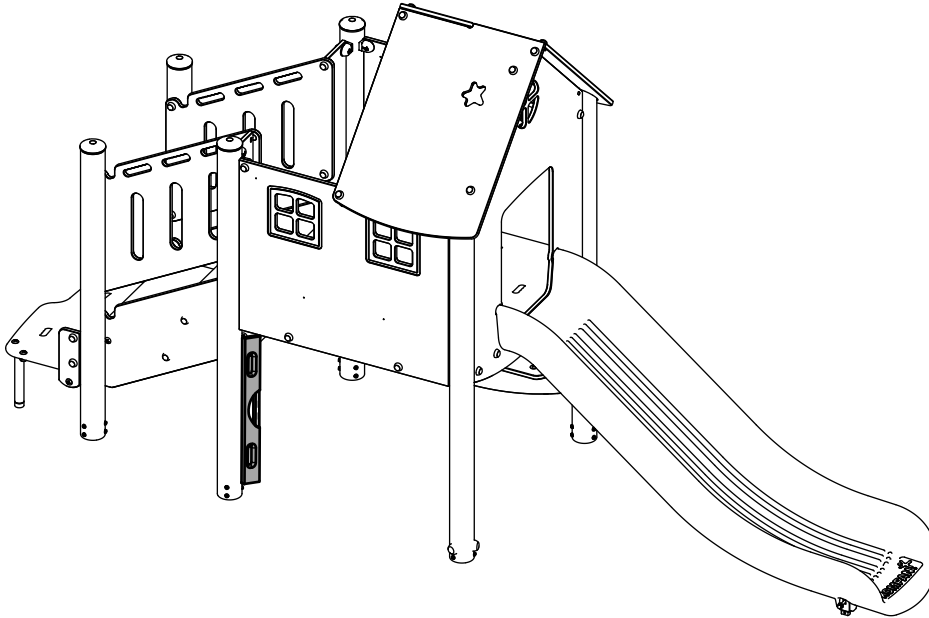
Убедитесь, что панели не деформируются при затягивании соединения с А400334!!! (19)

19

9 - Еще раз проверьте структуру уровней

Когда все модули будут установлены, проверьте расположение перекрытия и балок на уровне. (20)

20

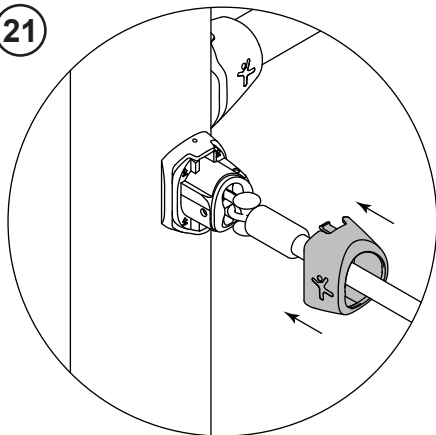


10 - Установите все колпаки и крышки для гаек.

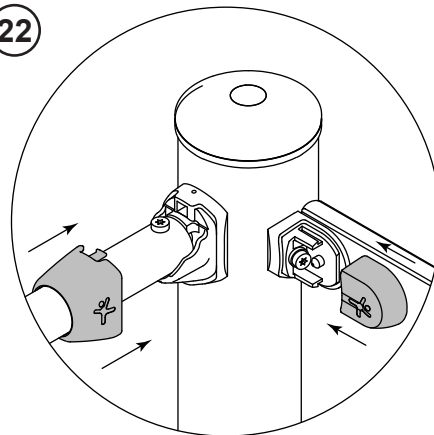
Установите все колпаки и крышки для гаек. (21,22,23)

Не забудьте снять этикетки с панелей, стальных деталей и балок.... (24)

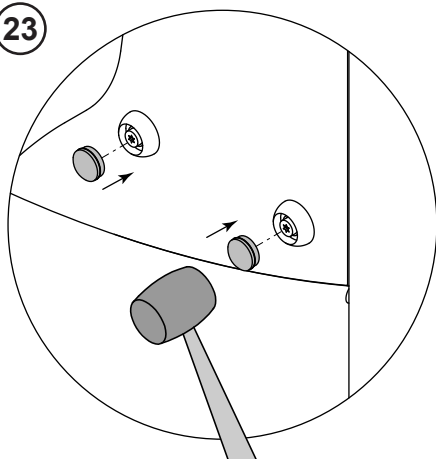
21



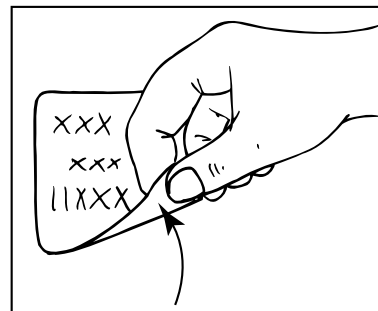
22

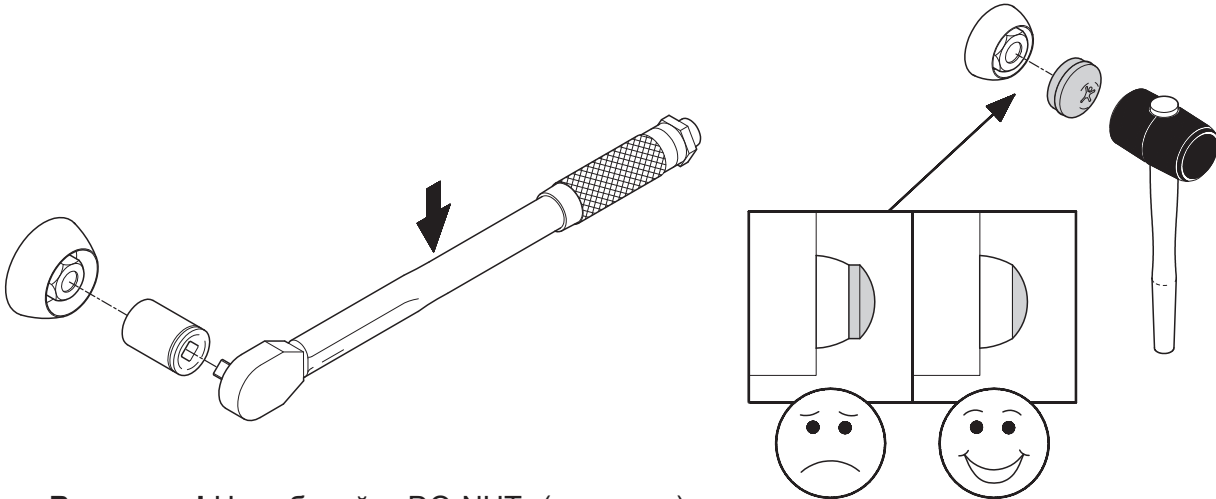


23

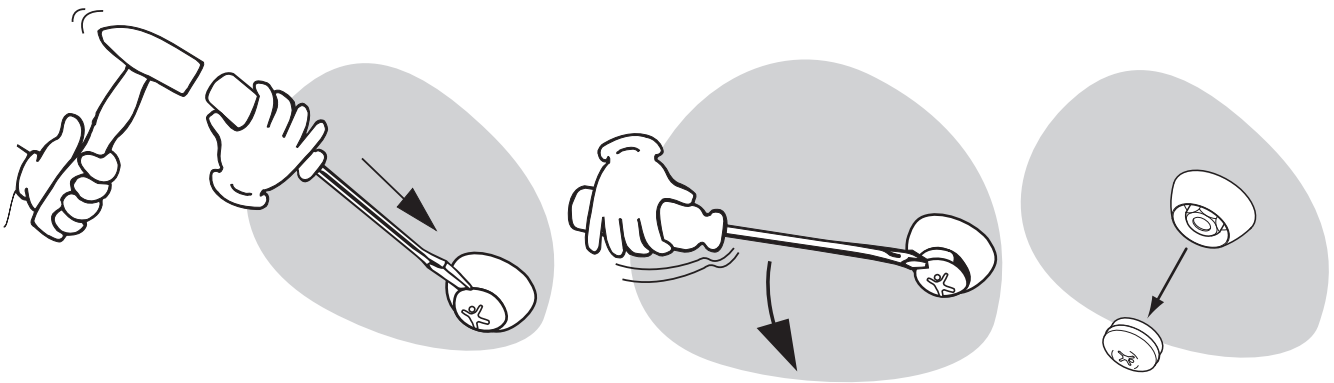


24





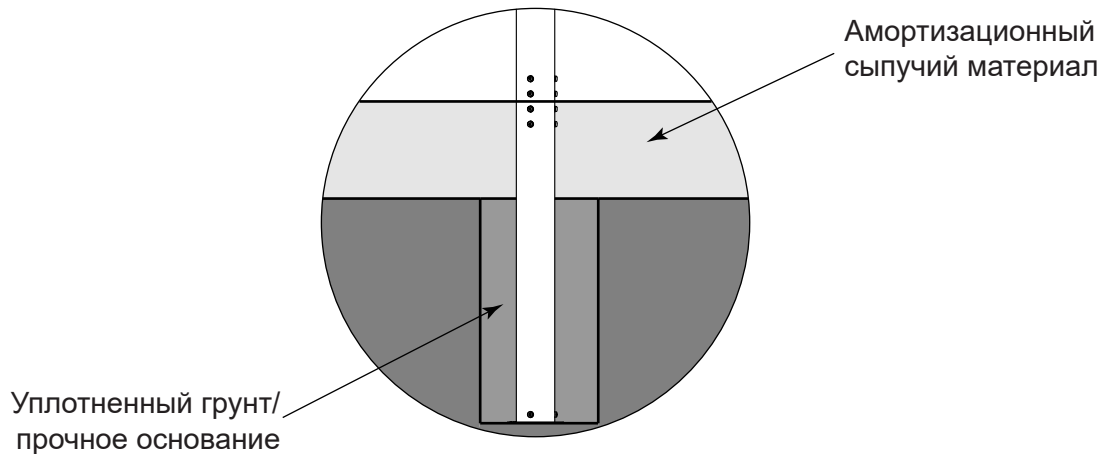
Внимание! Не забывайте DO-NUTs (заглушки) до окончания сборки и затягивания всех болтов.



11 - Безопасная поверхность

Покройте область зоны безопасности облицовочным материалом вплоть до отметки уровня поверхности на опоре. (25)

25



V00084

steel acier acciaio stål сталь
 stahl acero staal stål terästä

Module number	Exploded view	details
<p>CP000100-07 CP000200-07 CP000300-07 CP000360-07 CP004000-07 CP004100-07 CP004200-07 CP001600-07 CP001700-07</p>		
<p>CP000400-07</p>		

Module number	Exploded view	details
<p>CP120100-05 (20mm-60mm) Rubber Sol couté Gummi Goma Gomma Gummi Gummi Gummi Резина Kumi)</p>		
<p>CP120200-05 (80mm-120mm) Rubber Sol couté Gummi Goma Gomma Gummi Gummi Gummi Резина Kumi)</p>		
<p>CP120300-05 (600mm)</p>		
<p>CP120400-05 (850mm)</p>		

V00084-01 20150417 PetrJu

Module number	Exploded view	details
<p>CP120600-05 <i>Rubber</i> <i>Sol-couté</i> <i>Gummi</i> <i>Gomma</i> <i>Gummi</i> <i>Gummi</i> <i>Gummi</i> <i>Резина</i> <i>Kumi</i></p>	<p>25 Nm 18 lbf.ft</p> <p>210080 A380110-51 210100408025 201301008016 A380109-128 400210 OBV2610002</p>	<p>10x60 400315</p> <p>400315 - 10 mm: $\phi 16$ mm 0,63" 60 mm 2,36" 120 mm 4,74"</p>
<p>CP120700-05</p>	<p>25 Nm 18 lbf.ft</p> <p>601020-A2 A400444-51 A400295-128 A400312-128 910820 A400306-51</p>	<p>400317 - 12 mm: $\phi 12$ mm 0,47" 90 mm 3,54" 140 mm 5,51"</p> <p>12x100 400317</p>

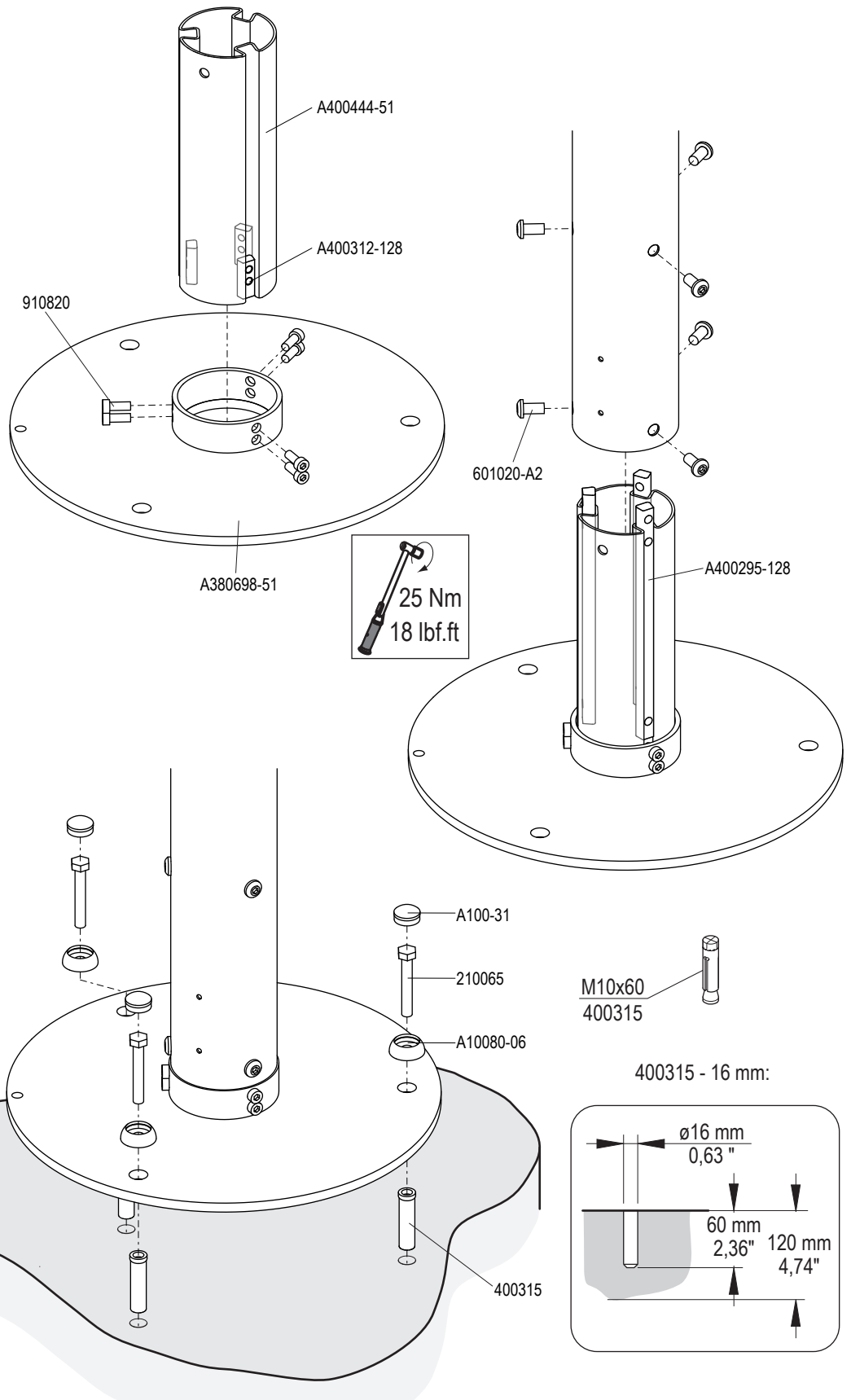
Module number	Exploded view	details
<p>CP120800-05</p>	<p>A400477-51</p> <p>25 Nm 18 lbf.ft</p> <p>A400313-128</p> <p>910820</p> <p>A400809-51</p> <p>OKU-ADM1205</p>	<p>601020-A2</p> <p>A400295-128</p> <p>12x100 400317</p> <p>400317 - 12 mm:</p> <p>$\varnothing 12 \text{ mm}$ 0,47"</p> <p>90 mm 3,54"</p> <p>140 mm 5,51"</p>

V00084-01 20150417 PetrJu

Module number	Exploded view	details
<p>CP120900-10</p>		<p>Top of safety surface Oberkante Fallschutzbelag Surface du revêtement amortissant Superficie del recubrimiento amortiguador Livello del materiale ammortizzante Bovenkant van veiligheidsondergrond Överkant av fallunderlag Overkant af faldunderlag Turva-alustan pinta Безопасный уровень монтажа</p>

Module number	Exploded view	details
---------------	---------------	---------

CP121000-05

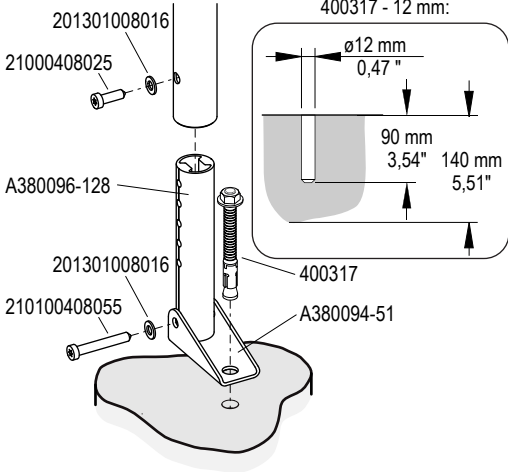
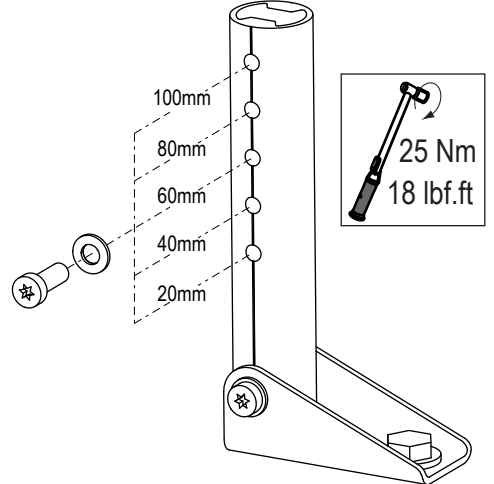
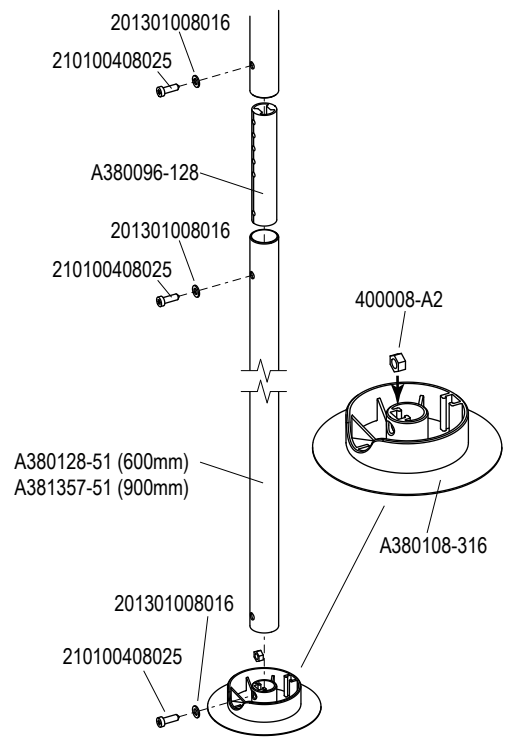
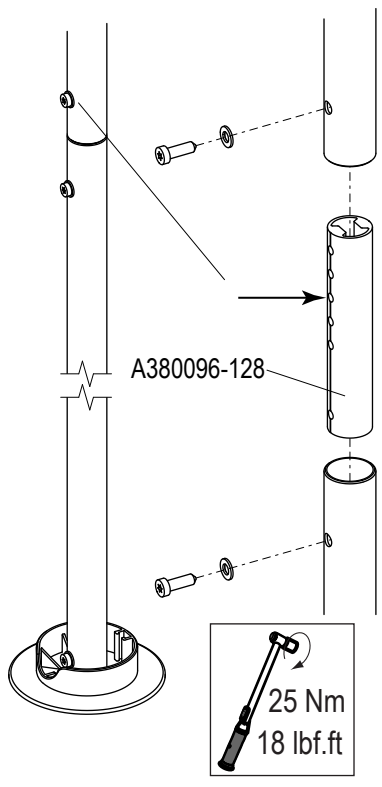


V00084-01 20150417 PetrJu

Module number	Exploded view	details
<p>CP121700-05</p>		

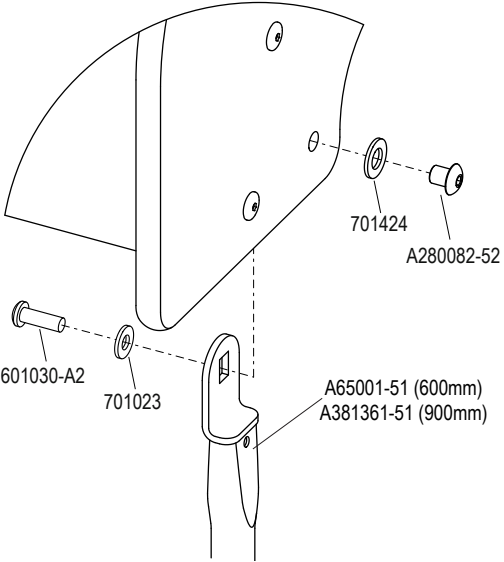
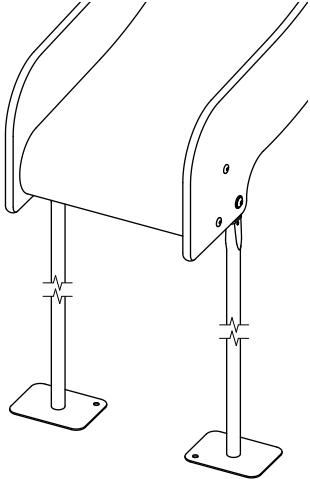
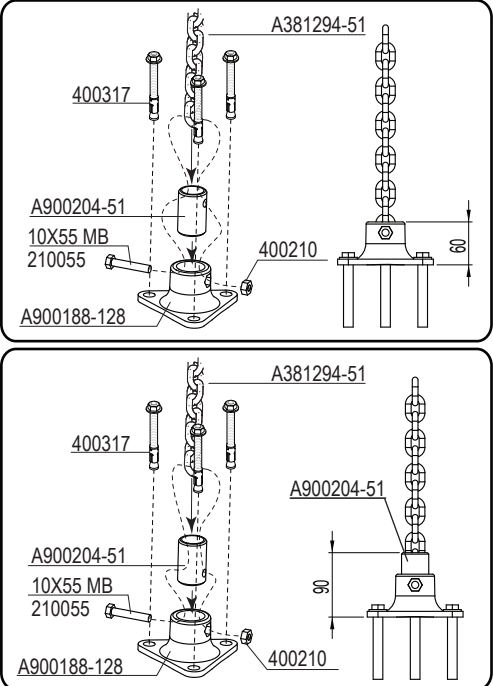
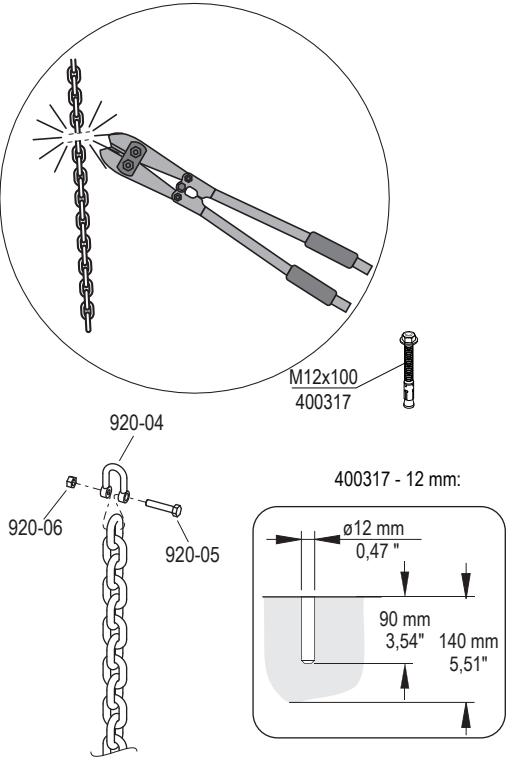
Module number	Exploded view	details
<p>CP121800-05 (20mm Rubber Sol couté Gummi Goma Gomma Gummi Gummi Gummi Резина Kumi)</p>		<p>400317 - 12 mm:</p>
<p>CP121900-05 (600mm)</p>		
<p>CP122000-05 (850mm)</p>		

V00084-01 20150417 PetrJu

Module number	Exploded view	details
<p>CP122100-05 (20mm-100mm) Rubber Sol couté Gummi Goma Gomma Gummi Gummi Гумми Куми)</p>		
<p>CP122200-05 (600mm) CP122201-05 (900mm)</p>		

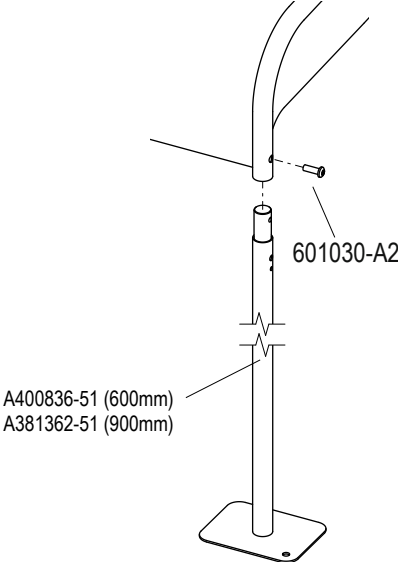
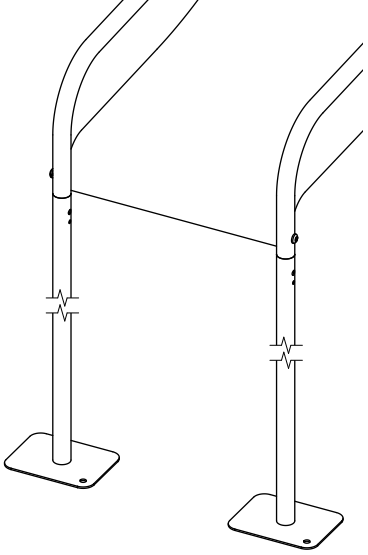
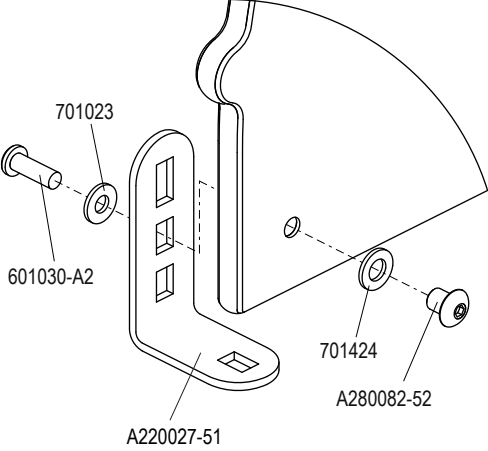
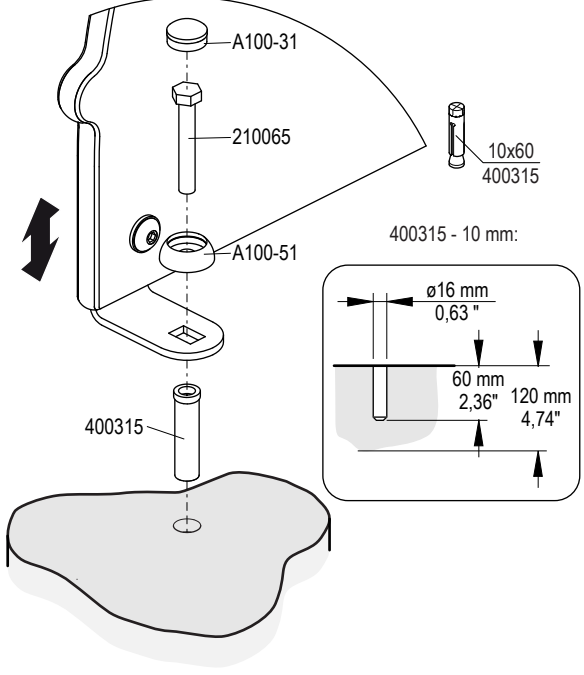
Module number	Exploded view	details
<p>CP122900-05</p>	<p>911630-A2</p> <p>400210</p> <p>710000</p> <p>A900182-128</p> <p>A900181-128</p> <p>A900180-51</p> <p>210075</p>	<p>400317</p> <p>M12x100 400317</p> <p>400317 - 12 mm:</p> <p>ø12 mm 0,47"</p> <p>90 mm 3,54"</p> <p>140 mm 5,51"</p>
<p>CP123000-05</p>	<p>911630-A2</p> <p>400010-A2</p> <p>A900182-128</p> <p>A900181-128</p> <p>A381375-51</p> <p>601050-A2</p> <p>400210</p> <p>710000</p> <p>A900180-51</p> <p>210075</p>	<p>400010-A2</p> <p>B10071-0307</p> <p>A100-02</p> <p>110038-A2</p>

Module number	Exploded view	details
<p>CP123100-05</p>		
<p>CP123200-05 (600mm) CP123201-05 (1150mm)</p>		
<p>CP123300-05</p>		

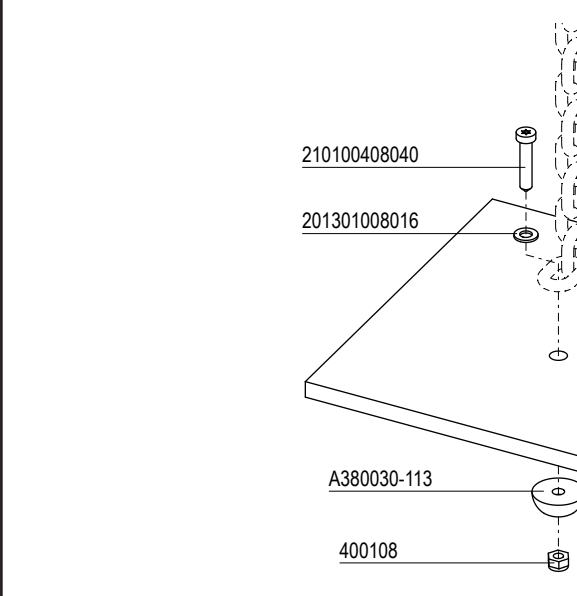
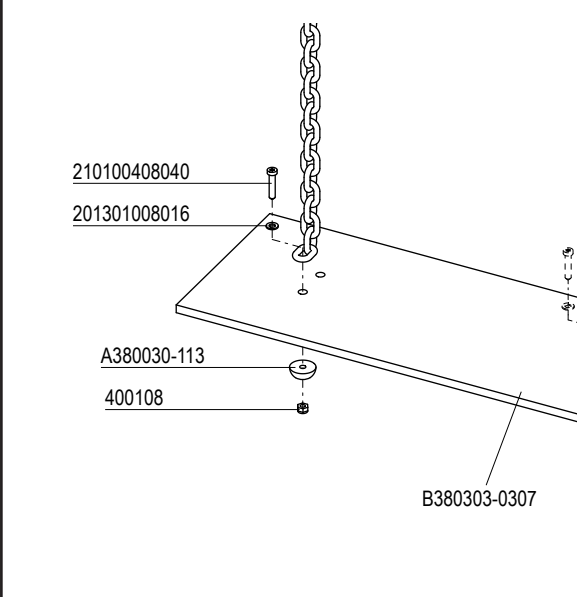
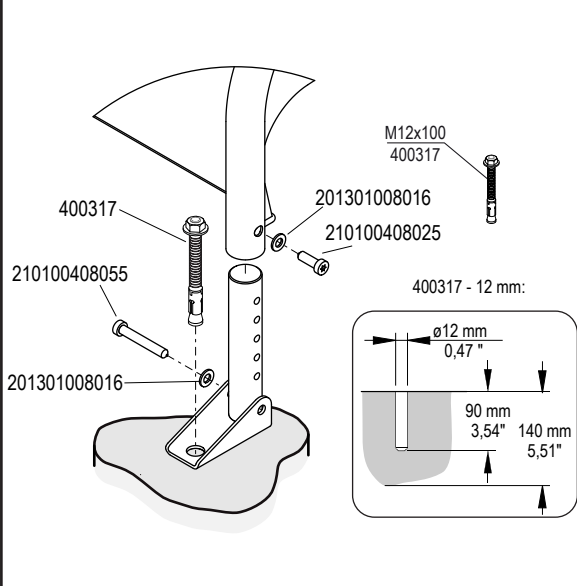
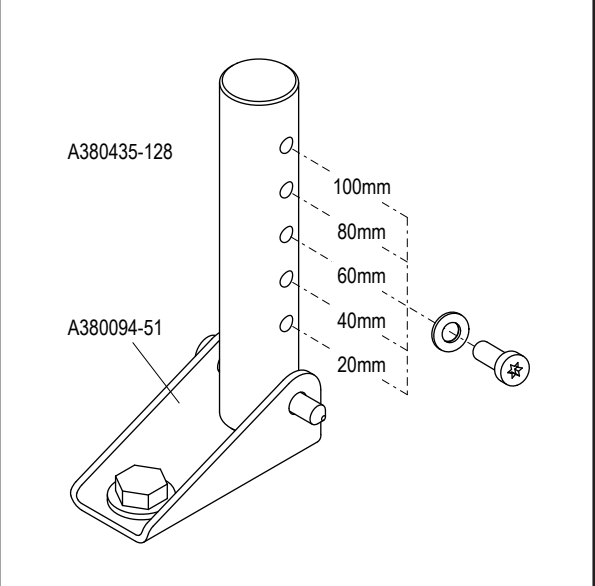
Module number	Exploded view	details
<p>CP123400-05 (600mm)</p> <p>CP123401-05 (900mm)</p>		
<p>CP123500-05</p>		

V00084-01 20150417 PetrJu

Module number	Exploded view	details
<p>CP123600-05 (600mm) CP123601-05 (900mm)</p>		
<p>CP123700-05</p>		

Module number	Exploded view	details
<p>CP123800-05 (600mm)</p> <p>CP123801-05 (900mm)</p>	 <p>601030-A2</p> <p>A400836-51 (600mm) A381362-51 (900mm)</p>	
<p>CP123900-05</p>	 <p>701023</p> <p>601030-A2</p> <p>A220027-51</p> <p>701424</p> <p>A280082-52</p>	 <p>A100-31</p> <p>210065</p> <p>10x60 400315</p> <p>A100-51</p> <p>400315 - 10 mm:</p> <p>ø16 mm 0,63"</p> <p>60 mm 2,36"</p> <p>120 mm 4,74"</p>

Module number	Exploded view	details
<p>CP124000-05</p>		
<p>CP124100-05</p>		

Module number	Exploded view	details
<p>CP124200-10</p>	 <p>210100408040</p> <p>201301008016</p> <p>B400035-0307</p> <p>A380030-113</p> <p>400108</p>	
<p>CP124300-10</p>	 <p>210100408040</p> <p>201301008016</p> <p>A380030-113</p> <p>400108</p> <p>B380303-0307</p> <p>210100408040</p> <p>201301008016</p> <p>A380030-113</p> <p>400108</p>	
<p>CP124400-05 (20mm-100mm) Rubber Sol couté Gummi Goma Gomma Gummi Gummi Резина Kumij)</p>	 <p>M12x100 400317</p> <p>201301008016</p> <p>210100408025</p> <p>400317 - 12 mm:</p> <p>ø12 mm 0,47"</p> <p>90 mm 3,54"</p> <p>140 mm 5,51"</p> <p>400317</p> <p>210100408055</p> <p>201301008016</p>	 <p>A380435-128</p> <p>A380094-51</p> <p>100mm</p> <p>80mm</p> <p>60mm</p> <p>40mm</p> <p>20mm</p>

Module number	Exploded view	details
<p>CP124500-05 (600mm)</p> <p>CP124501-05 (900mm)</p>		
<p>CP124600-05</p>		

Module number	Exploded view	details
<p>CP124700-05 (600mm) CP124701-05 (900mm)</p>	<p>601016-A2 701023 701424 A280082-52 ø 12mm</p>	<p>A65001-51 (600mm) A381361-51 (900mm)</p>
<p>CP124800-12</p>	<p>AC280024-128</p>	<p>M12x100 400317 400317 - 12 mm: ø12 mm 0,47" 90 mm 3,54" 140 mm 5,51"</p>
<p>CP124900-05</p>	<p>A170503-128</p>	<p>A640012-51</p>

Module number	Exploded view	details
<p>CP125100-05</p>	<p>A380340-133</p> <p>A380334-51</p> <p>210100408025</p> <p>201301008016</p> <p>25 Nm 18 lbf.ft</p>	<p>M12x100 400317</p> <p>400317 - 12 mm:</p> <p>90 mm 3,54"</p> <p>140 mm 5,51"</p> <p>ø12 mm 0,47"</p>
<p>CP125200-05</p>	<p>A380336-51</p> <p>210100408025</p> <p>201301008016</p> <p>A380340-133</p> <p>25 Nm 18 lbf.ft</p>	
<p>CP125300-05</p>	<p>A401041-06</p> <p>A960018-128</p> <p>712000</p> <p>OBV-1912022-A2</p> <p>A960019-128</p> <p>212110</p> <p>A960015-51</p> <p>A960018-128</p>	<p>M12x100 400317</p> <p>400317 - 12 mm:</p> <p>90 mm 3,54"</p> <p>140 mm 5,51"</p> <p>ø12 mm 0,47"</p>

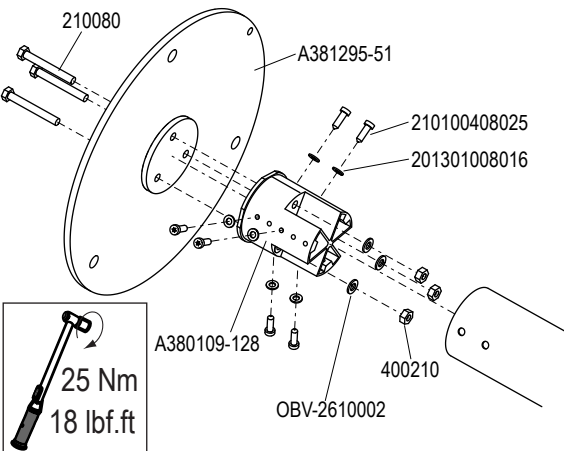
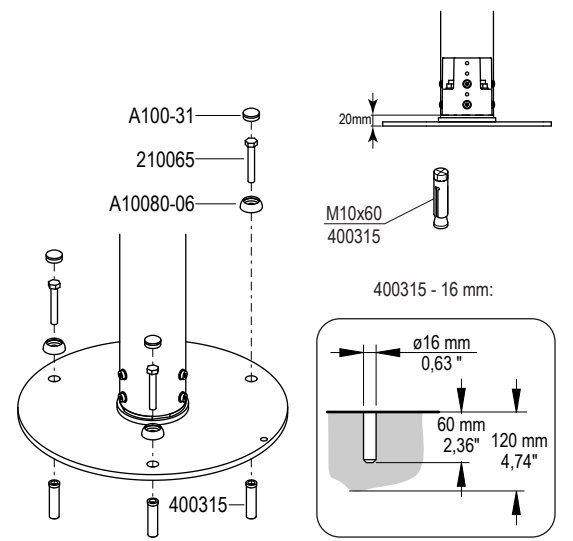
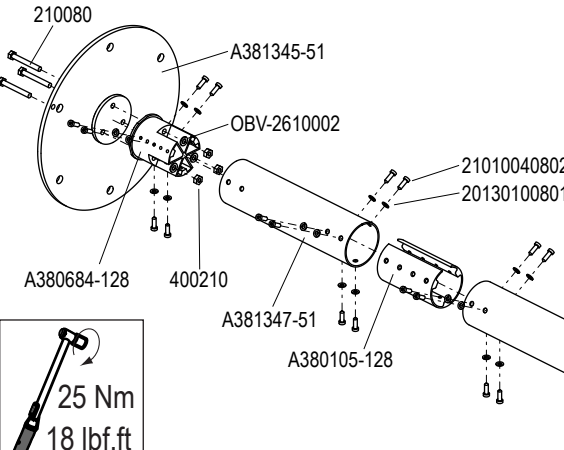
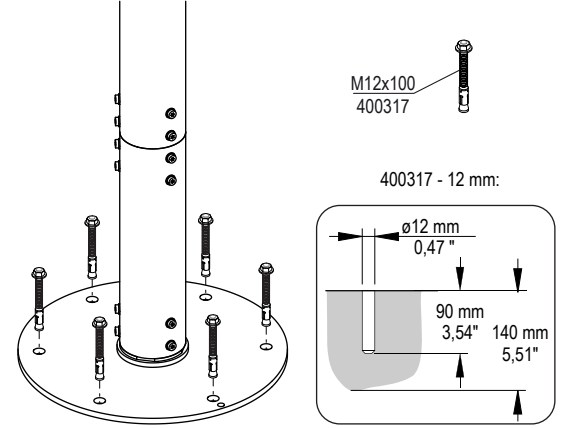
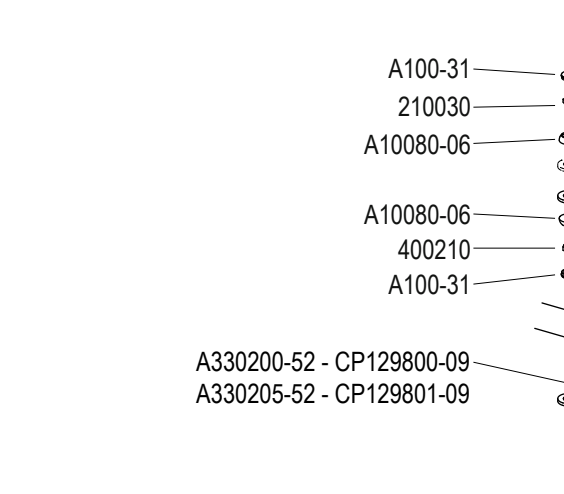
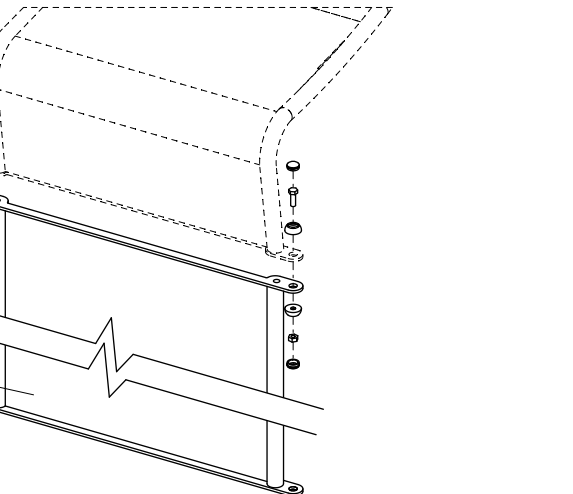
Module number	Exploded view	details
<p>CP125400-05</p>		
<p>CP125500-05</p>		
<p>CP127100-12 (20mm-60mm) Rubber Sol couté Gummi Goma Gomma Gummi Gummi Резина Kumi)</p>		

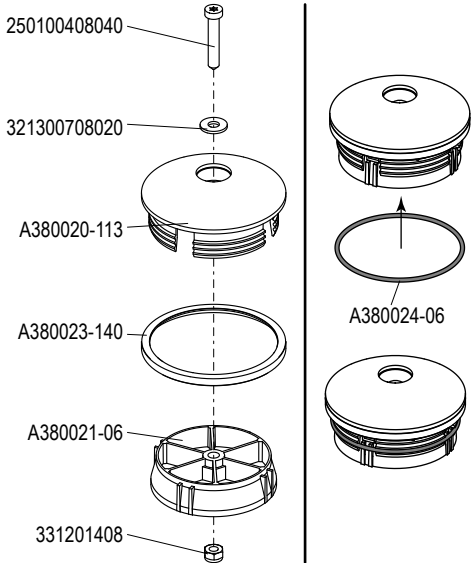
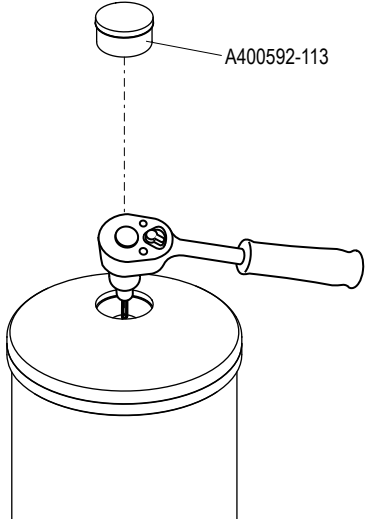
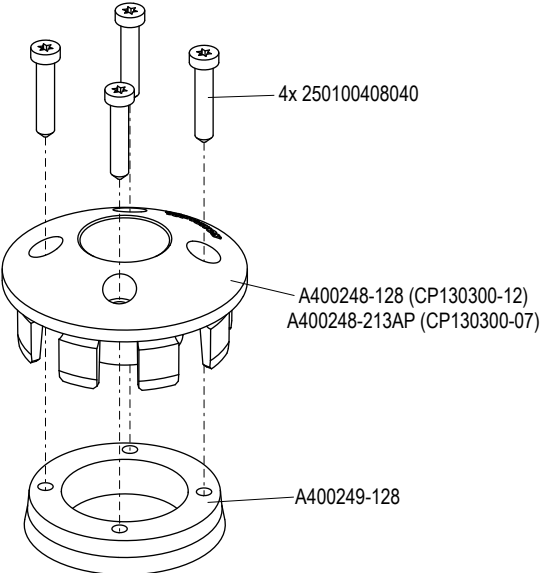
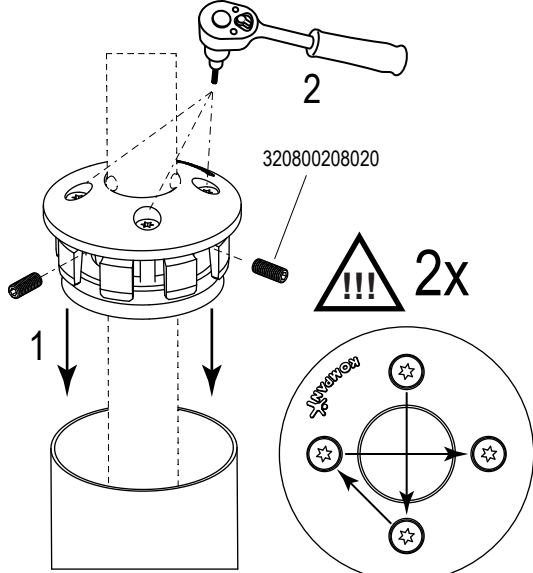
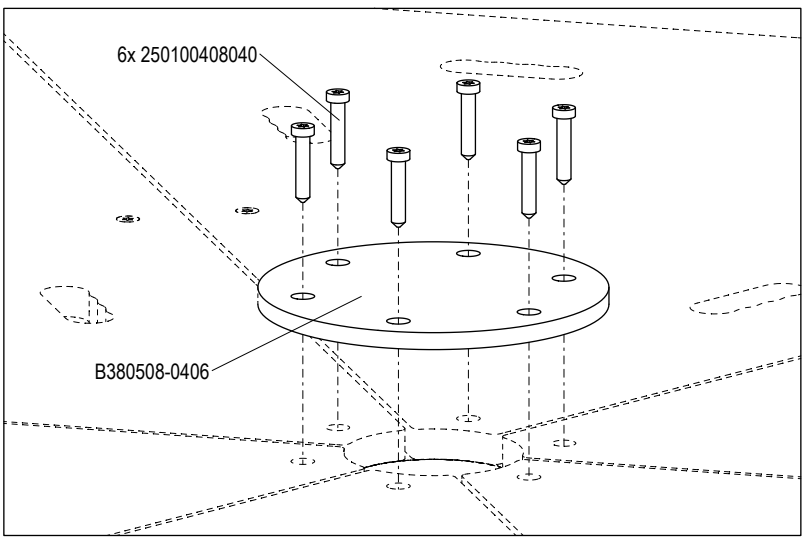
V00084-01 20150417 PetrJu

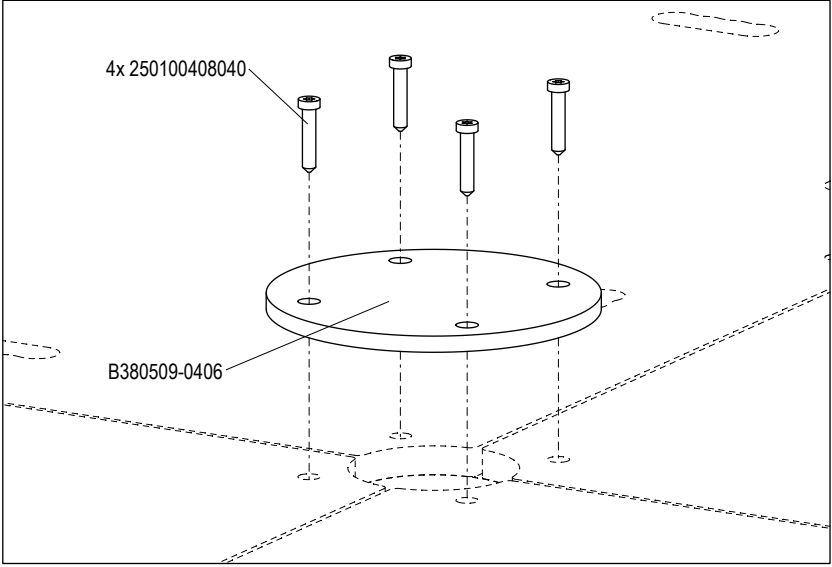
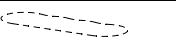
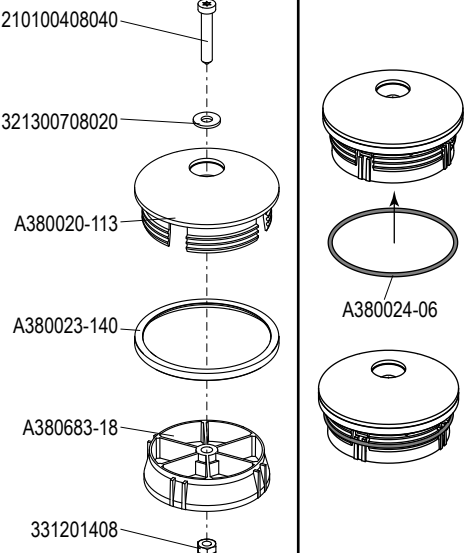
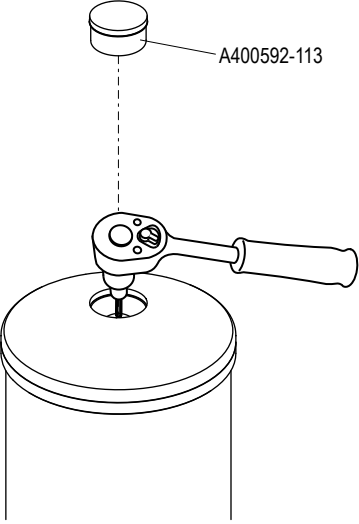
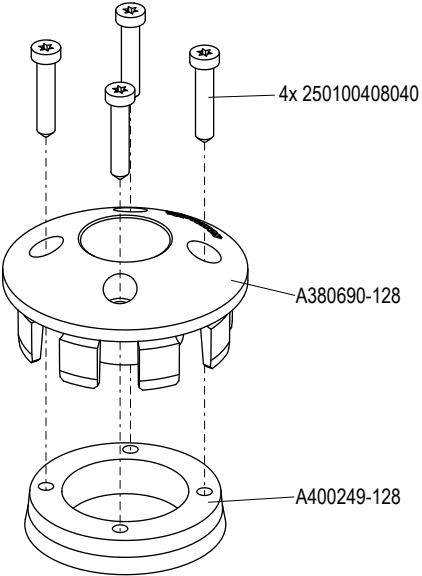
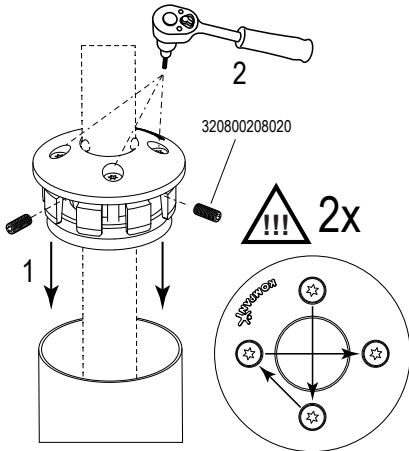
Module number	Exploded view	details
<p>CP127200-12 (80mm-120mm) Rubber Sol couté Gummi Goma Gomma Gummi Gummi Gummi Резина Kumi)</p>	<p>210080</p> <p>25 Nm 18 lbf.ft</p> <p>A380684-128</p> <p>A380464-51</p> <p>A801419-06</p> <p>A62106-52</p> <p>210100408025</p> <p>A100-31</p> <p>400210</p> <p>OBV-2610002</p>	<p>80mm</p> <p>100mm</p> <p>120mm</p> <p>M12x100 400317</p> <p>$\phi 12$ mm 0,47"</p> <p>90 mm 3,54"</p> <p>140 mm 5,51"</p>
<p>CP127300-12 (600mm)</p>	<p>25 Nm 18 lbf.ft</p> <p>20260230619</p> <p>A380689-51</p> <p>A801419-06</p> <p>A62106-52</p> <p>210100408025</p> <p>A100-31</p> <p>A380682-128</p>	<p>600</p> <p>850</p> <p>A380685-213</p> <p>A380686-213</p>
<p>CP127400-12 (850mm)</p>	<p>25 Nm 18 lbf.ft</p> <p>210080</p> <p>A380689-51</p> <p>A801419-06</p> <p>A62106-52</p> <p>210100408025</p> <p>A100-31</p> <p>A380682-128</p> <p>A380684-128</p> <p>400210</p> <p>OBV-2610002</p>	<p>20mm</p> <p>10x60 400315</p> <p>400315 - 10 mm:</p> <p>$\phi 16$ mm 0,63"</p> <p>60 mm 2,36"</p> <p>120 mm 4,74"</p> <p>A100-31</p> <p>210065</p> <p>A10080-06</p> <p>400315</p>
<p>CP127600-12 Rubber Sol couté Gummi Goma Gomma Gummi Gummi Gummi Резина Kumi</p>	<p>25 Nm 18 lbf.ft</p> <p>210080</p> <p>A380689-51</p> <p>A801419-06</p> <p>A62106-52</p> <p>210100408025</p> <p>A100-31</p> <p>A380682-128</p> <p>A380684-128</p> <p>400210</p> <p>OBV-2610002</p>	<p>20mm</p> <p>10x60 400315</p> <p>400315 - 10 mm:</p> <p>$\phi 16$ mm 0,63"</p> <p>60 mm 2,36"</p> <p>120 mm 4,74"</p> <p>A100-31</p> <p>210065</p> <p>A10080-06</p> <p>400315</p>

Module number	Exploded view	details
<p>CP127700-05</p>		
<p>CP127800-05 (20mm-60mm Rubber Sol couté Gummi Goma Gomma Gummi Gummi Gummi Резина Kumi)</p>		
<p>CP127900-05 (80mm-120mm Rubber Sol couté Gummi Goma Gomma Gummi Gummi Gummi Резина Kumi)</p>		

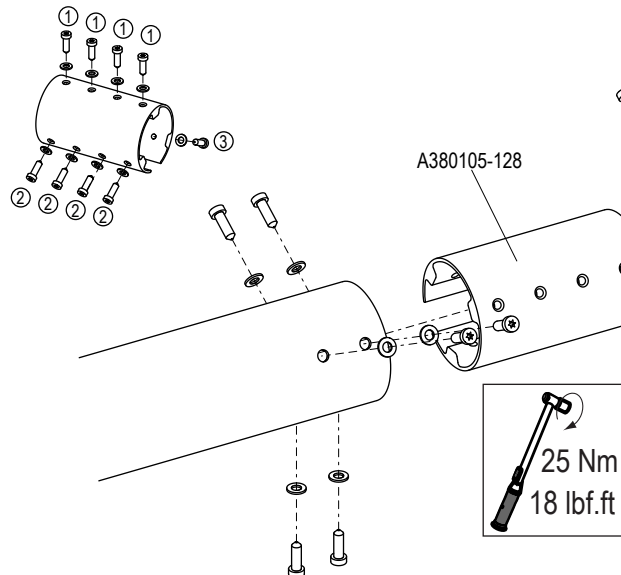
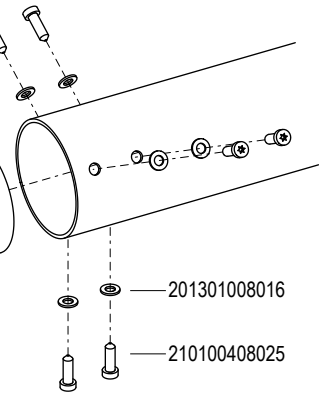

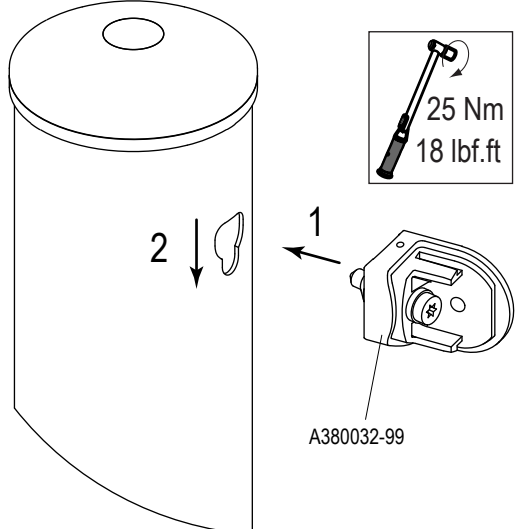
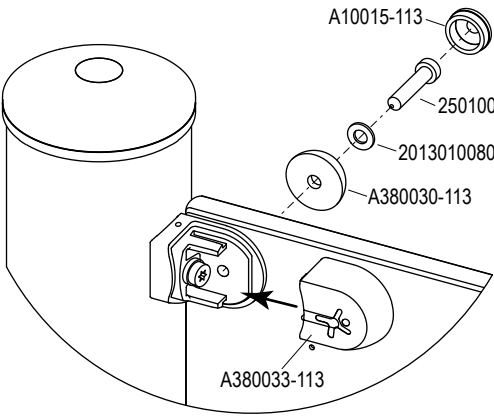

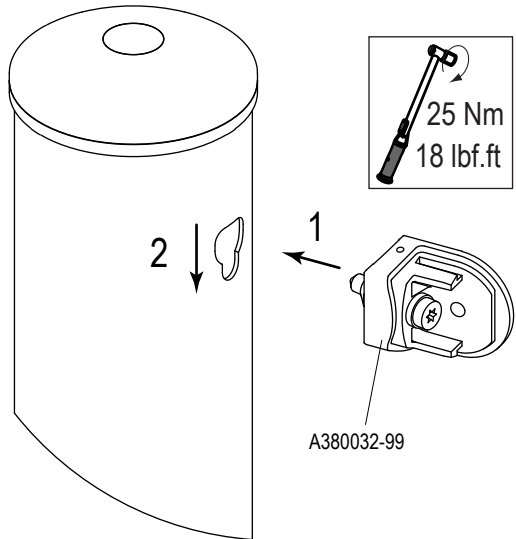
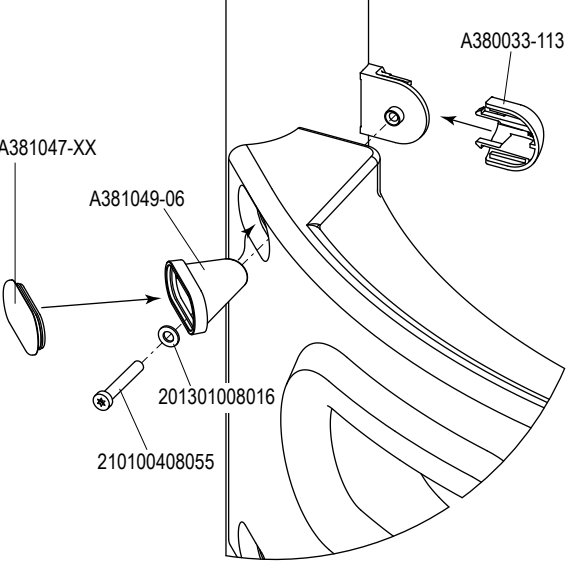
V00084-01 20150417 PetrJu


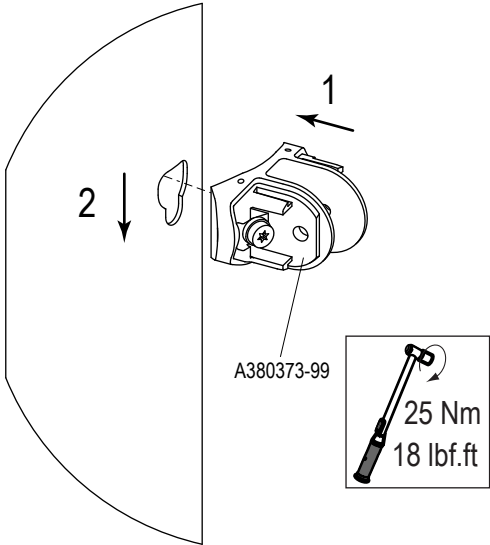
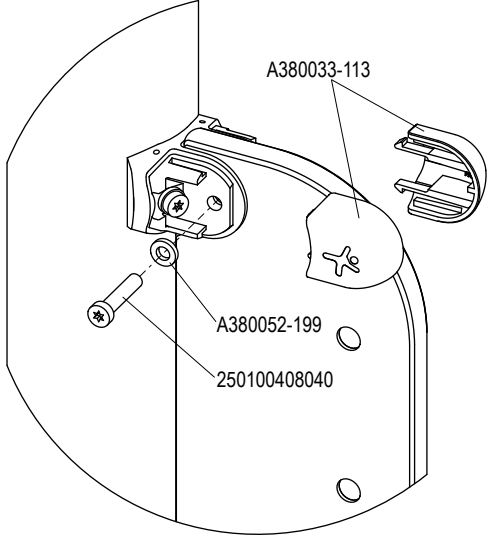
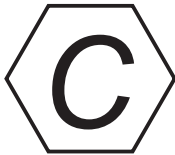
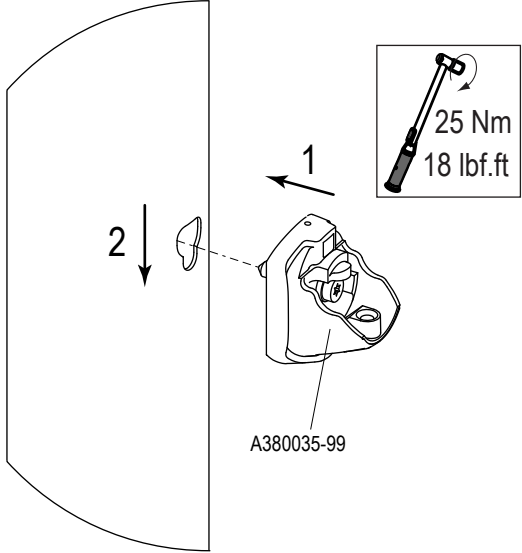
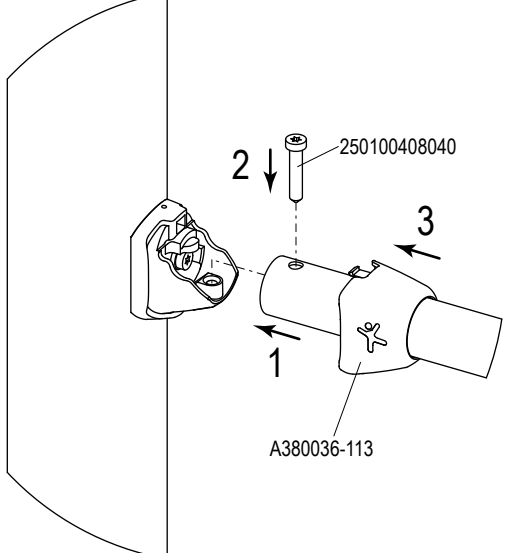

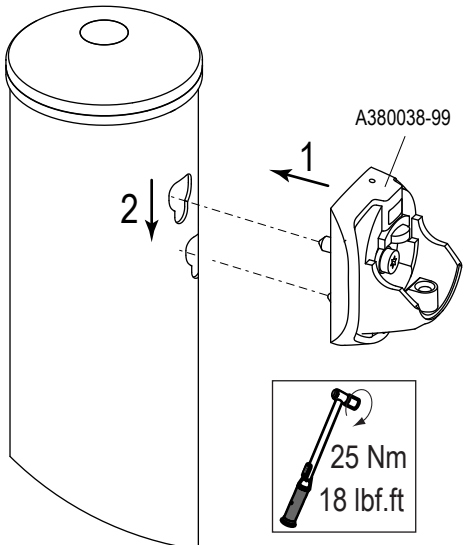
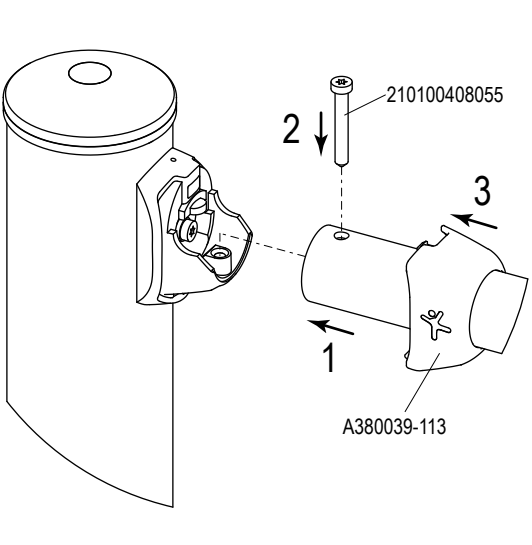
Module number	Exploded view	details
<p>CP128000-05 (20mm Rubber Sol couté Gummi Goma Gomma Gummi Gummi Gummi Резина Kumi)</p>	 <p>25 Nm 18 lbf.ft</p>	
<p>CP129700-05</p>	 <p>25 Nm 18 lbf.ft</p>	
<p>CP129800-09 (600mm) CP129801-09 (900mm)</p>		

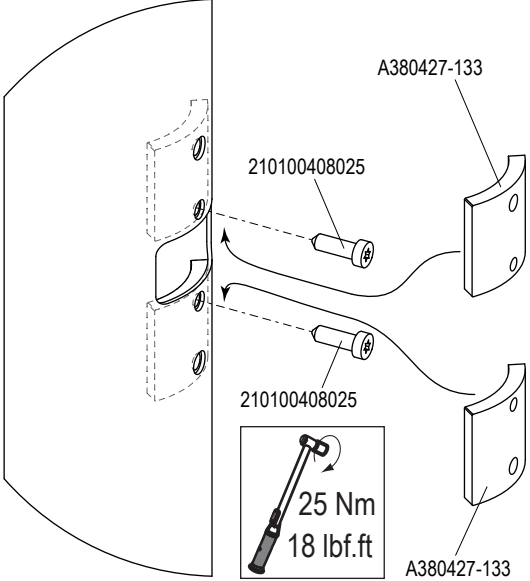
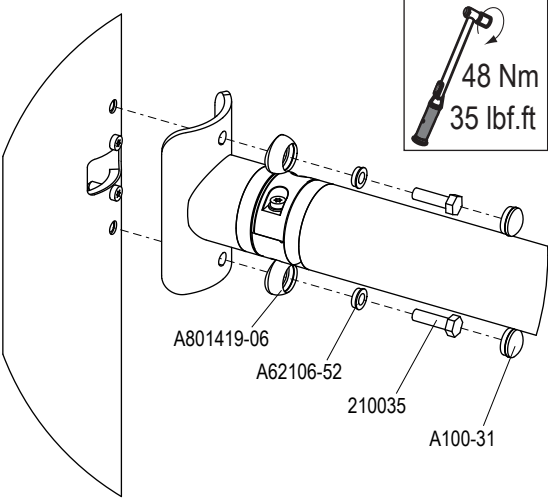
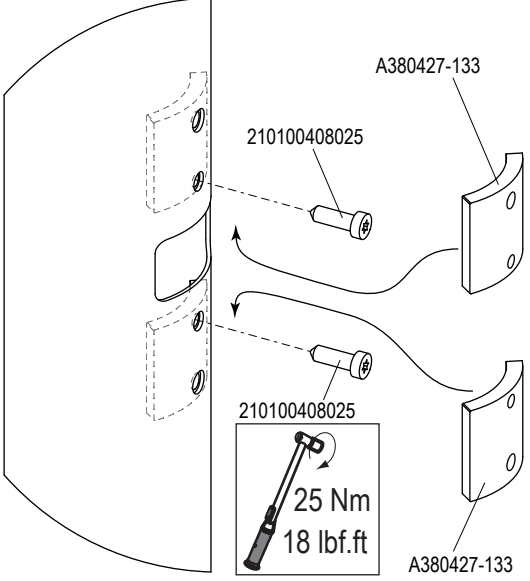
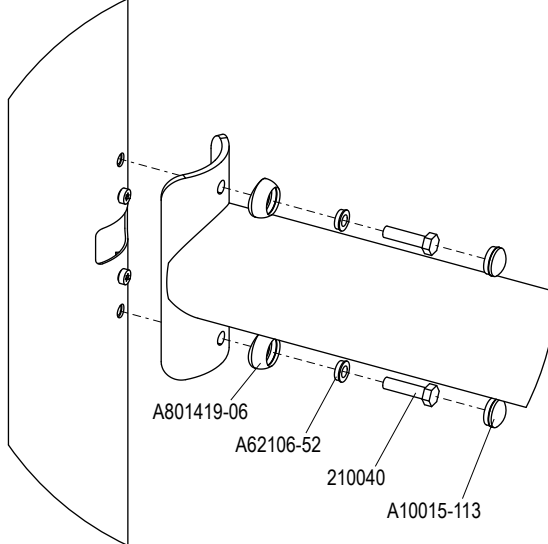
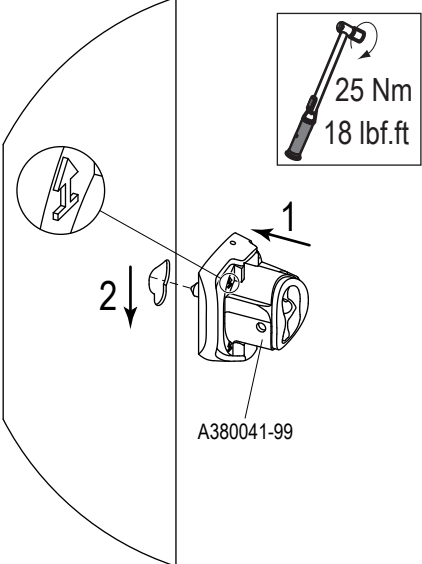
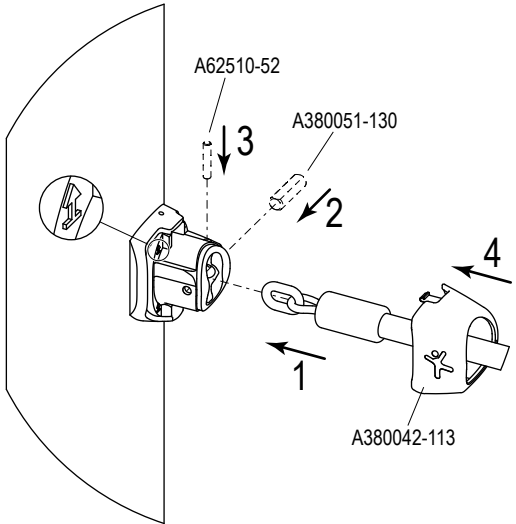
Module number	Exploded view	details
<p>CP130100-07</p>		
<p>CP130300-12 CP130300-07</p>		
<p>CP130400-06</p>		


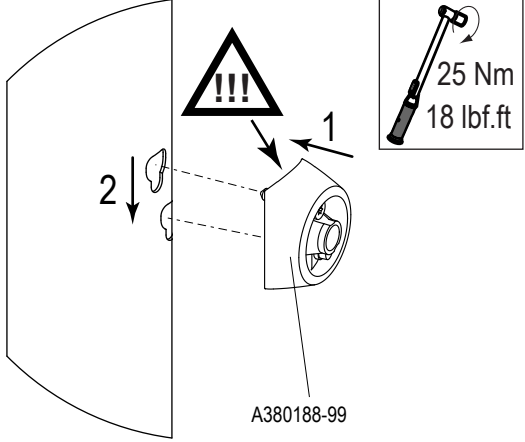
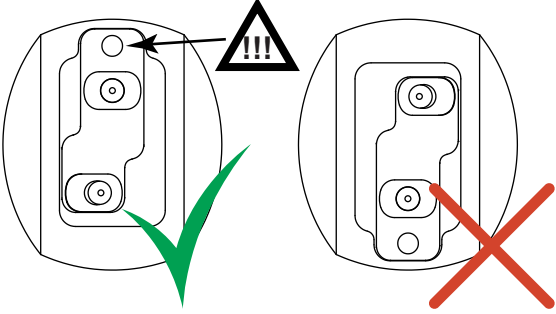

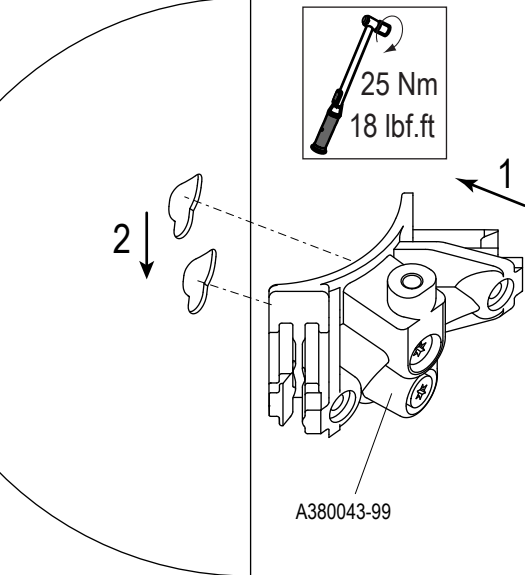
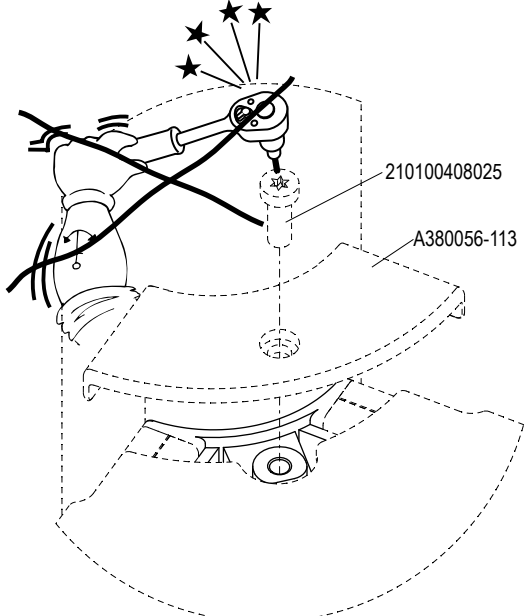
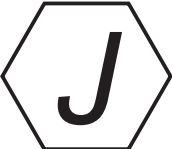
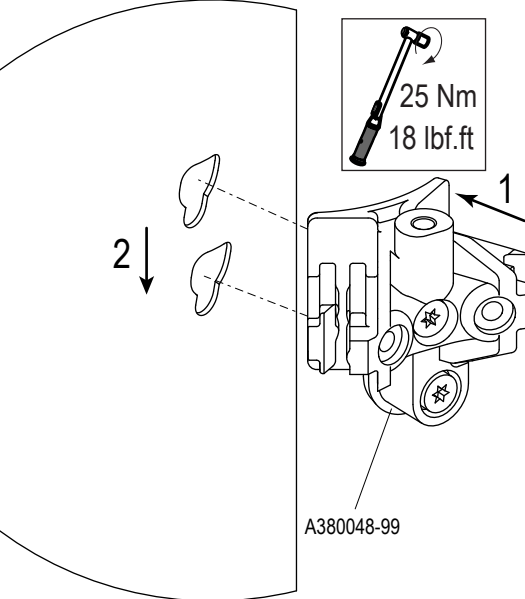
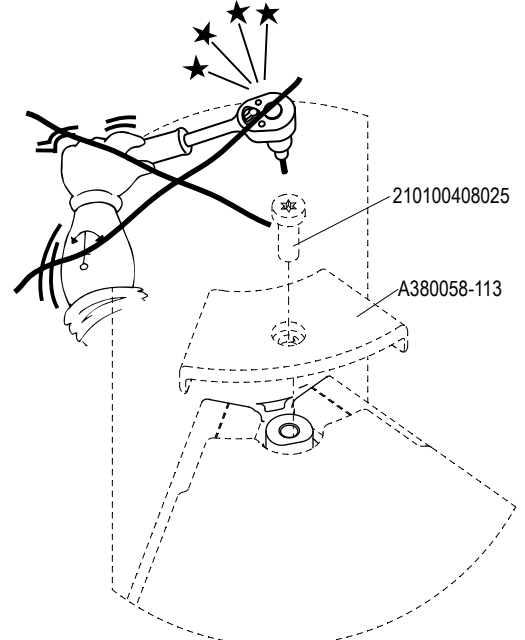
Module number	Exploded view	details
<p>CP130500-06</p>		
<p>CP130600-07</p>		
<p>CP130700-12</p>		


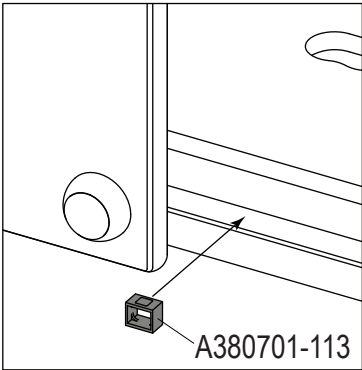
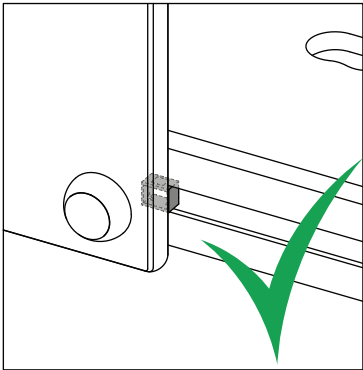

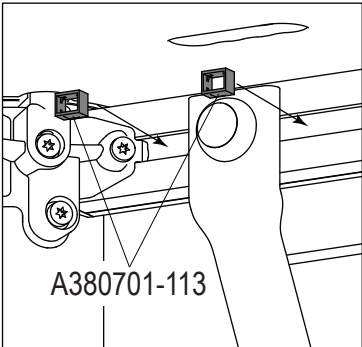
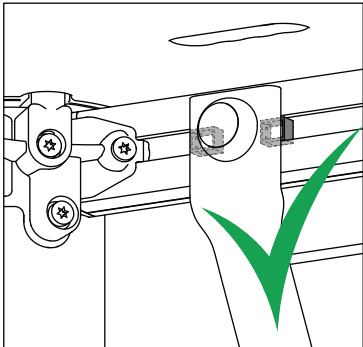

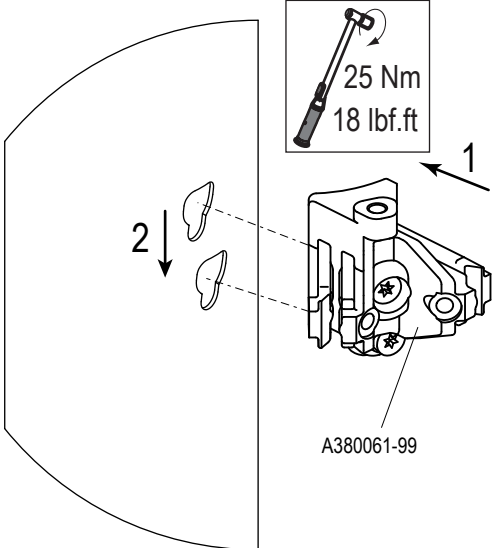
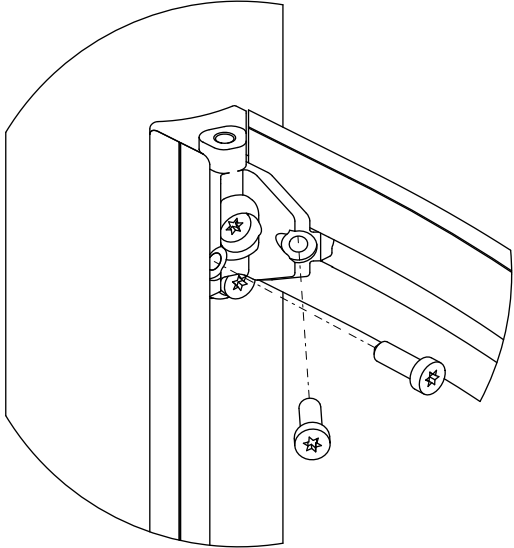
Module number	Exploded view	details
<p>CP130900-12</p>	<p>210075</p> <p>A380109-128</p> <p>OBV-2610002</p> <p>400210</p>	<p>210100408025</p> <p>201301008016</p>
<p>CP131000-12</p>	<p>210125</p> <p>25 Nm 18 lbf.ft</p> <p>A380109-128</p> <p>A380109-128</p> <p>OBV-2610002</p> <p>400210</p>	<p>210100408025</p> <p>201301008016</p> <p>25 Nm 18 lbf.ft</p> <p>210100408025</p> <p>201301008016</p>


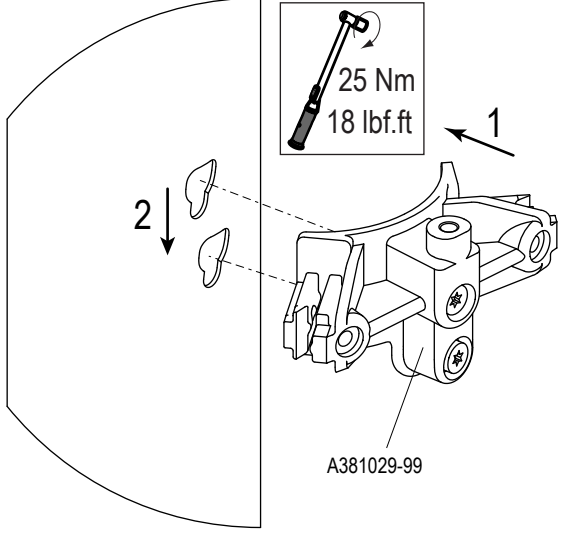
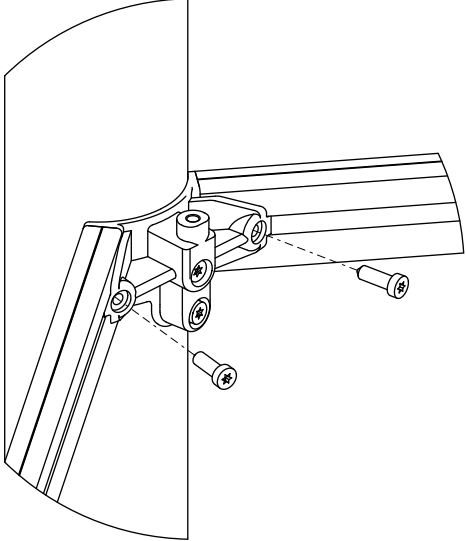

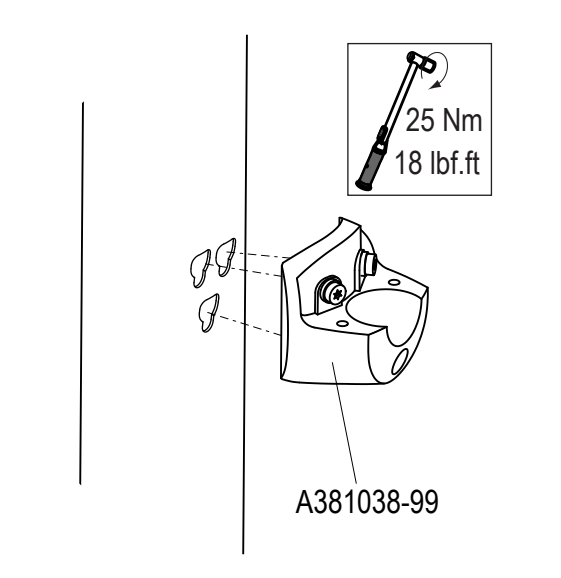
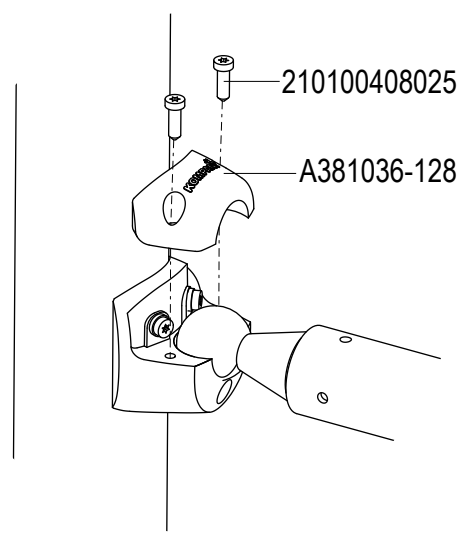

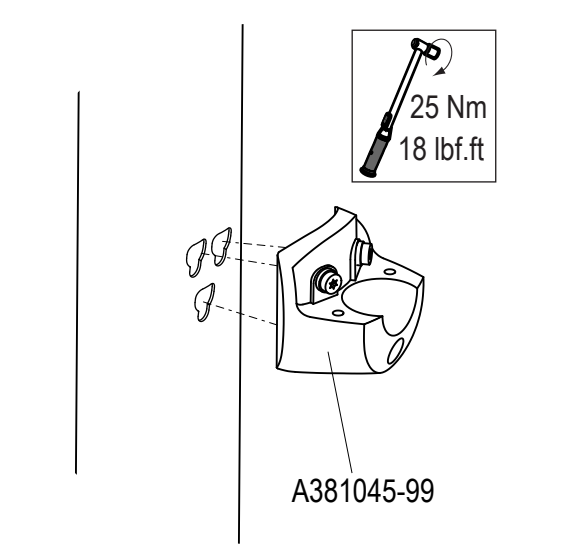
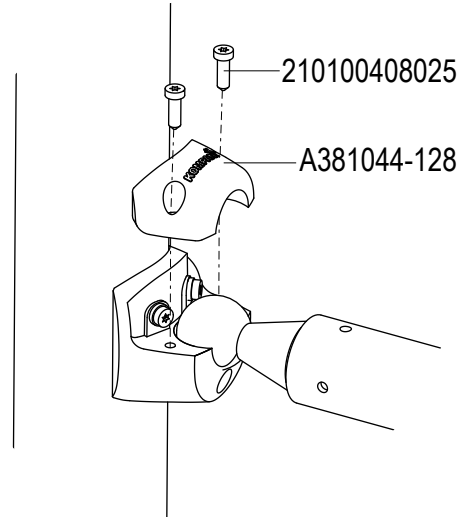
Module number	Exploded view	details
<p>CP131200-12</p>	 <p>A380105-128</p> <p>25 Nm 18 lbf.ft</p>	 <p>201301008016</p> <p>210100408025</p>
 <p>CP140200-07</p>	 <p>25 Nm 18 lbf.ft</p> <p>A380032-99</p>	 <p>A10015-113</p> <p>250100408040</p> <p>201301008016</p> <p>A380030-113</p> <p>A380033-113</p>
	 <p>25 Nm 18 lbf.ft</p> <p>A380032-99</p>	 <p>A381047-XX</p> <p>A381049-06</p> <p>201301008016</p> <p>210100408055</p> <p>A380033-113</p>

Module number	Exploded view	details
<div data-bbox="145 481 320 633" style="text-align: center;">  </div> <div data-bbox="129 645 333 683" style="text-align: center;"> <p>CP140600-07</p> </div>		
<div data-bbox="145 1081 320 1234" style="text-align: center;">  </div> <div data-bbox="129 1249 333 1288" style="text-align: center;"> <p>CP141200-07</p> </div>		
<div data-bbox="145 1686 320 1839" style="text-align: center;">  </div> <div data-bbox="129 1854 333 1892" style="text-align: center;"> <p>CP141400-07</p> </div>		

Module number	Exploded view	details
<div data-bbox="102 488 277 640" data-label="Image"> </div> <div data-bbox="84 647 288 687" data-label="Text"> <p>CP141600-07</p> </div>		
<div data-bbox="102 1088 277 1240" data-label="Image"> </div> <div data-bbox="84 1256 288 1296" data-label="Text"> <p>CP141800-07</p> </div>		
<div data-bbox="102 1693 277 1845" data-label="Image"> </div> <div data-bbox="84 1861 288 1901" data-label="Text"> <p>CP142200-07</p> </div>		

Module number	Exploded view	details
 CP142400-12		
 CP143200-12		
 CP143400-12		

Module number	Exploded view	details
	 <p>A380701-113</p>	
	 <p>A380701-113</p>	
 <p>CP143600-12</p>	 <p>25 Nm 18 lbf.ft</p> <p>A380061-99</p>	

Module number	Exploded view	details
 <p>CP143800-12</p>	 <p>25 Nm 18 lbf.ft</p> <p>1</p> <p>2</p> <p>A381029-99</p>	
 <p>CP145200-12</p>	 <p>25 Nm 18 lbf.ft</p> <p>A381038-99</p>	 <p>210100408025</p> <p>A381036-128</p>
 <p>CP145400-12</p>	 <p>25 Nm 18 lbf.ft</p> <p>A381045-99</p>	 <p>210100408025</p> <p>A381044-128</p>

KOMPAN®

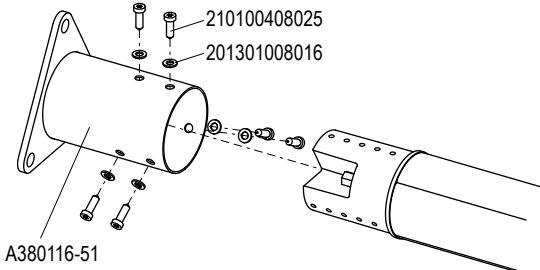
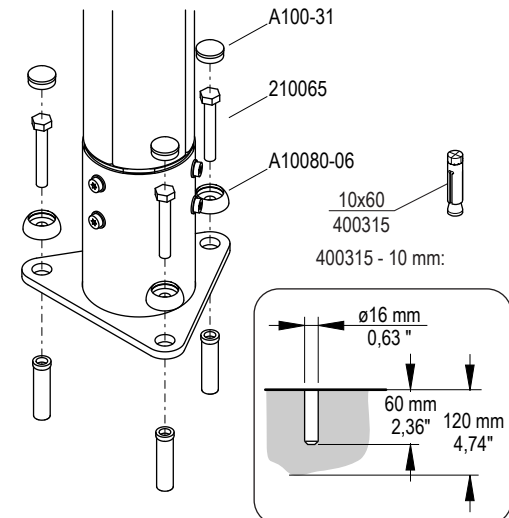
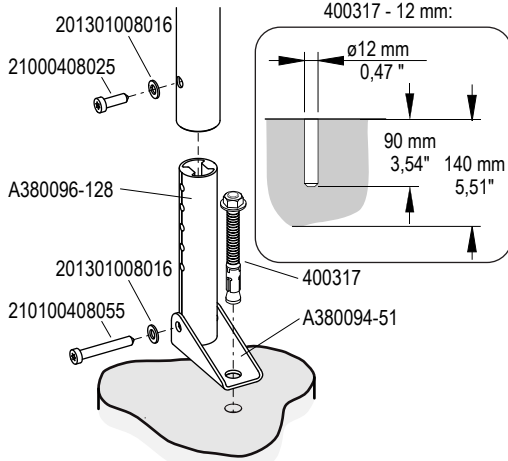
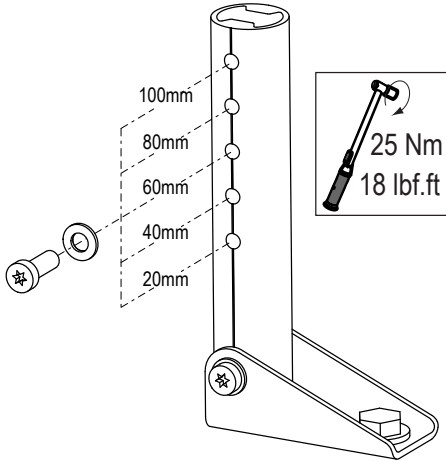
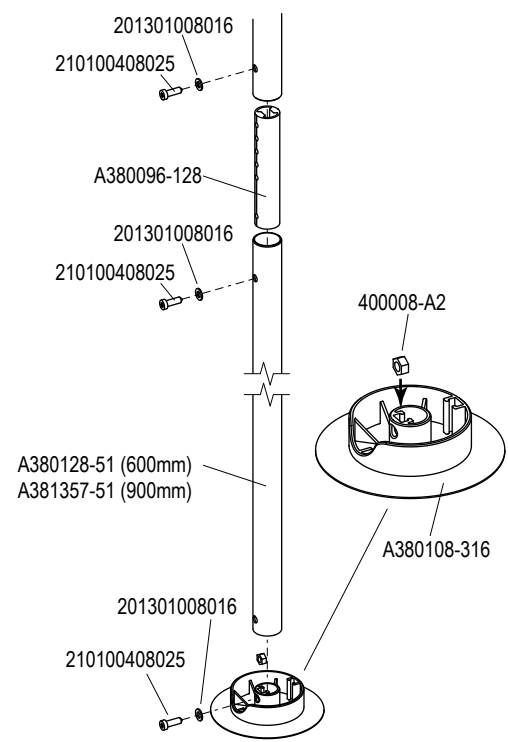
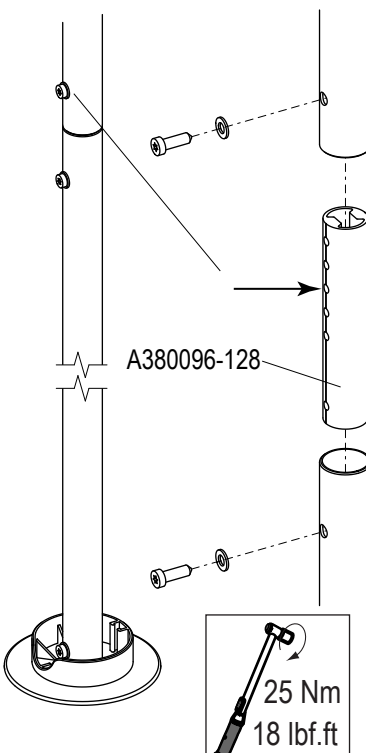
V00085

wood bois legno trä дерево
 holz madera hout træ puu

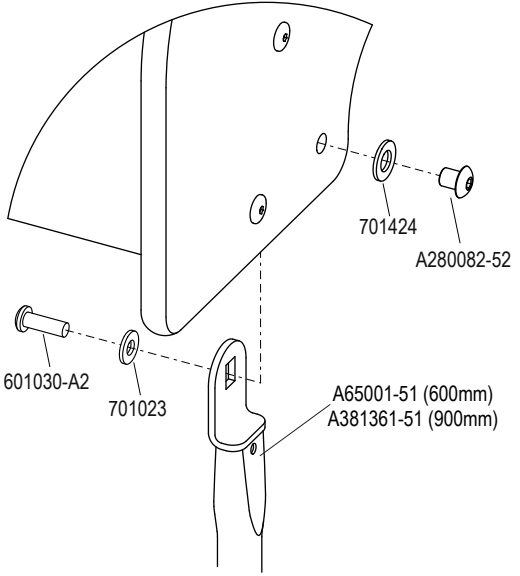
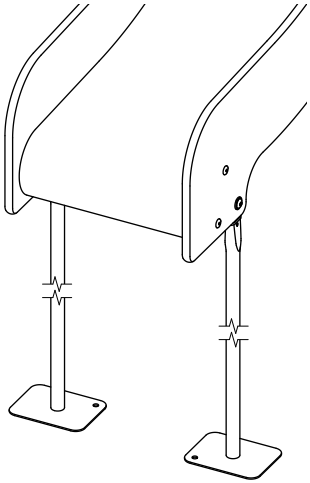
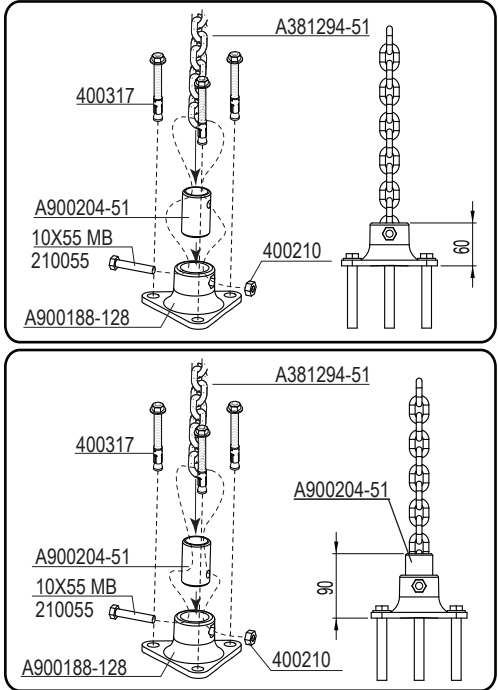
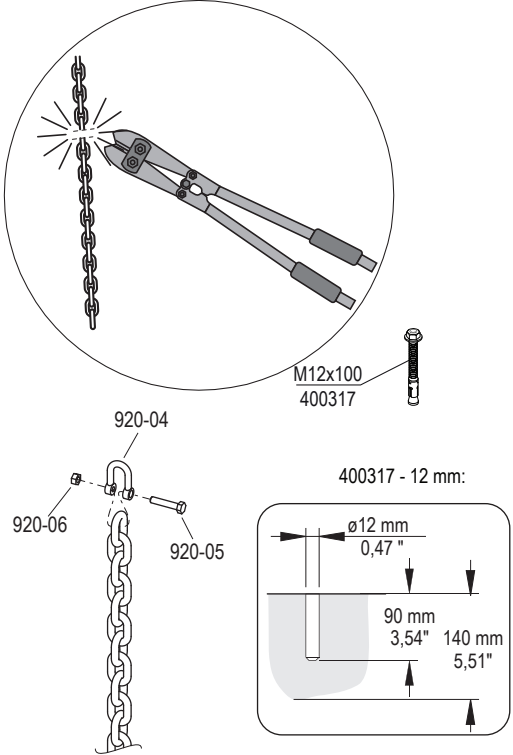
Module number	Exploded view	details
<p>CP000100-07 CP000200-07 CP000300-07 CP000360-07 CP001600-07 CP001700-07</p>		<div data-bbox="997 582 1380 963"> <p>A100-42</p> <p>V100-10</p> </div> <div data-bbox="997 974 1380 1355"> <p>A10089-18</p> </div> <div data-bbox="997 1366 1380 1724"> <p>A380179-113</p> </div>

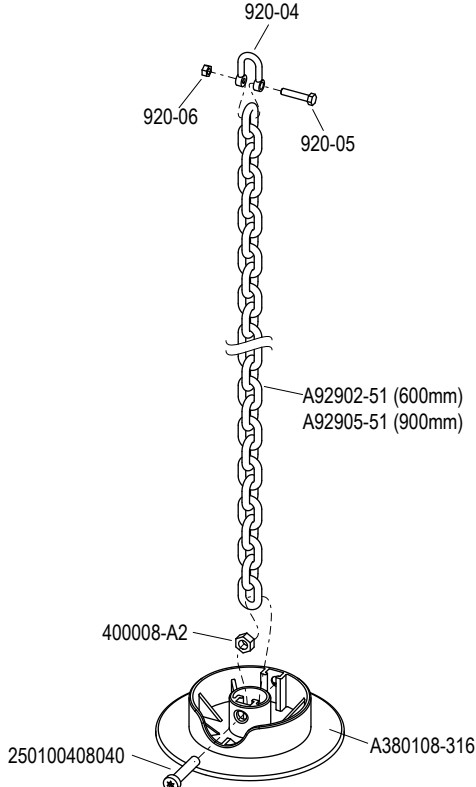
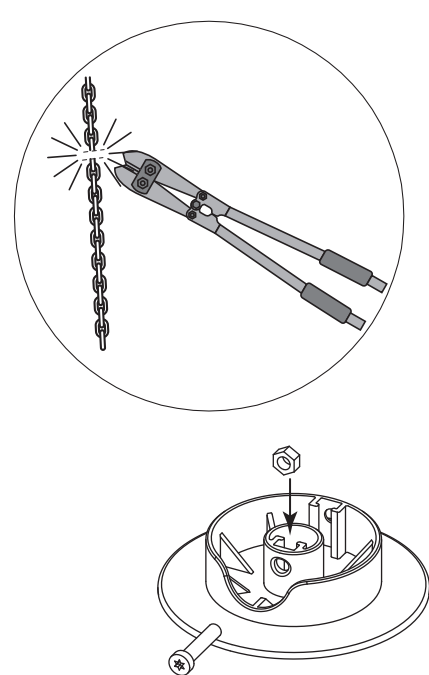
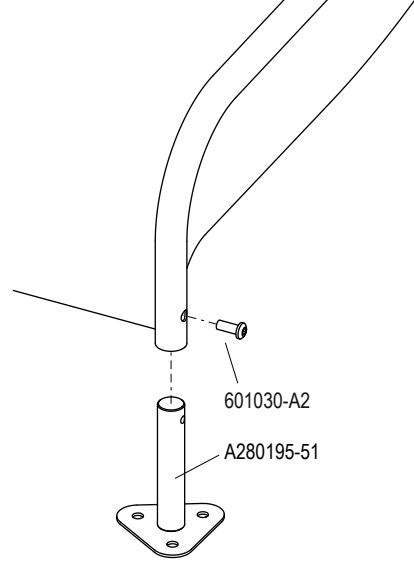
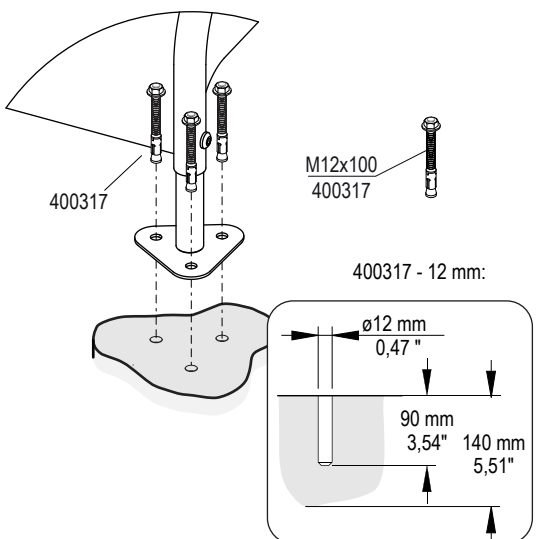
Module number	Exploded view	details
<p>CP121100-05 (20mm-60mm) Rubber Sol couté Gummi Goma Gomma Gummi Gummi Gummi Резина Kumi)</p>		
<p>CP121200-05 (80mm-120mm) Rubber Sol couté Gummi Goma Gomma Gummi Gummi Gummi Резина Kumi)</p>		
<p>CP121300-07 (600mm)</p> <p>CP121400-07 (850mm)</p>		

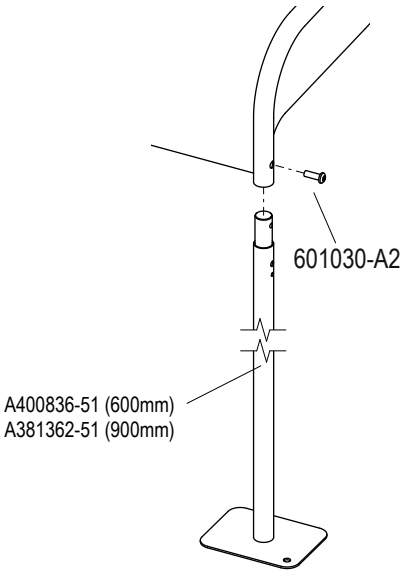
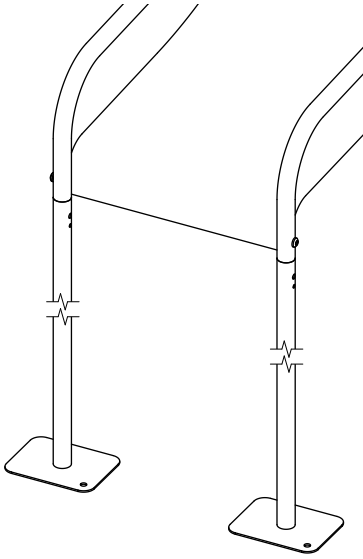
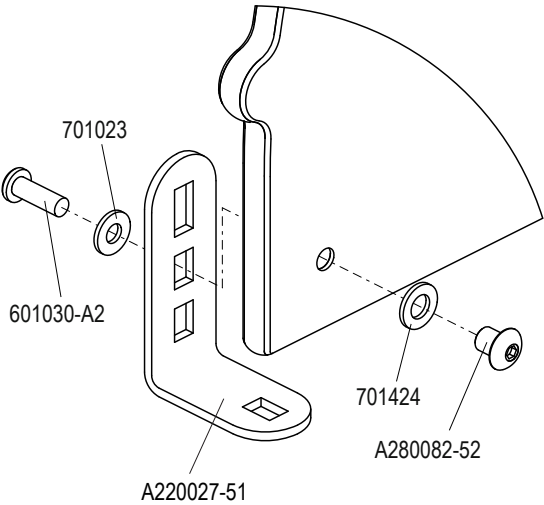
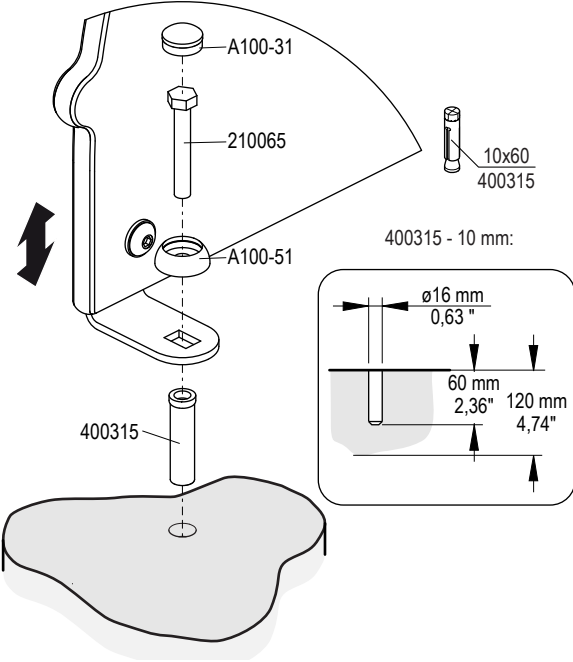
V00085 20150417 PetrJu

Module number	Exploded view	details
<p>CP121600-05 <i>Rubber</i> <i>Sol couté</i> <i>Gummi</i> <i>Goma</i> <i>Gomma</i> <i>Gummi</i> <i>Gummi</i> <i>Gummi</i> <i>Резина</i> <i>Kumi</i></p>		
<p>CP122100-05 <i>(20mm-100mm)</i> <i>Rubber</i> <i>Sol couté</i> <i>Gummi</i> <i>Goma</i> <i>Gomma</i> <i>Gummi</i> <i>Gummi</i> <i>Резина</i> <i>Kumi</i></p>		
<p>CP122200-05 <i>(600mm)</i></p>		

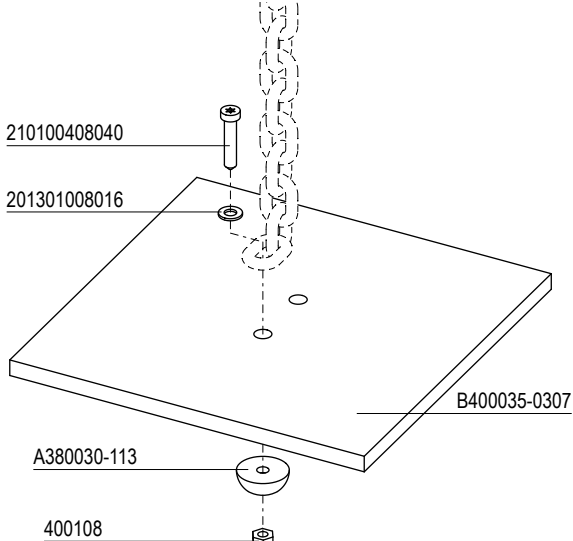
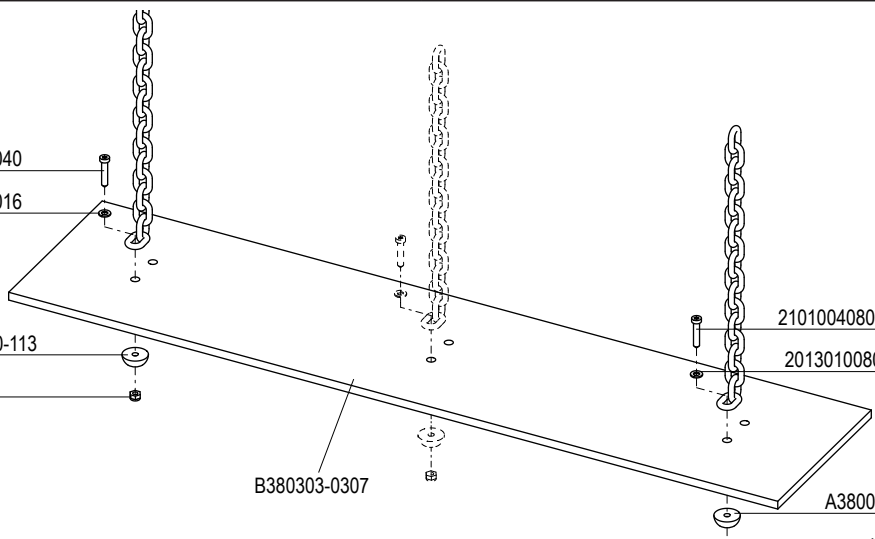
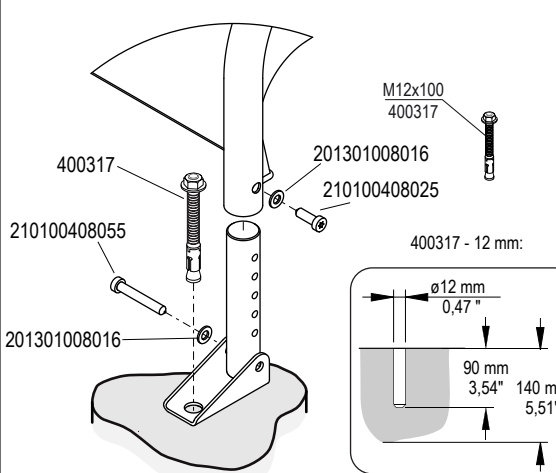
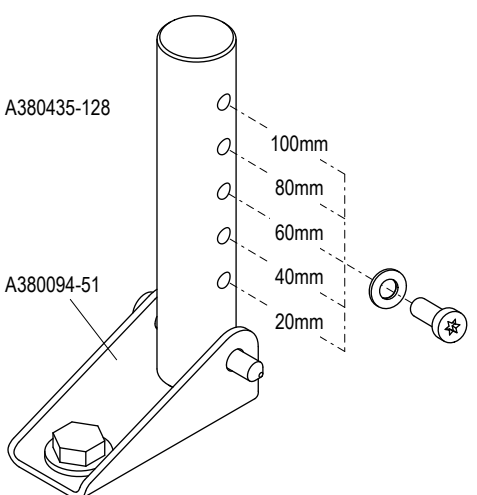
Module number	Exploded view	details
<p>CP123100-05</p>		
<p>CP123200-05 (600mm) CP123201-05 (1150mm)</p>		
<p>CP123300-05</p>		

Module number	Exploded view	details
<p>CP123400-05 (600mm)</p> <p>CP123401-05 (900mm)</p>		
<p>CP123500-05</p>		

Module number	Exploded view	details
<p>CP123600-05 (600mm)</p>		
<p>CP123700-05</p>		

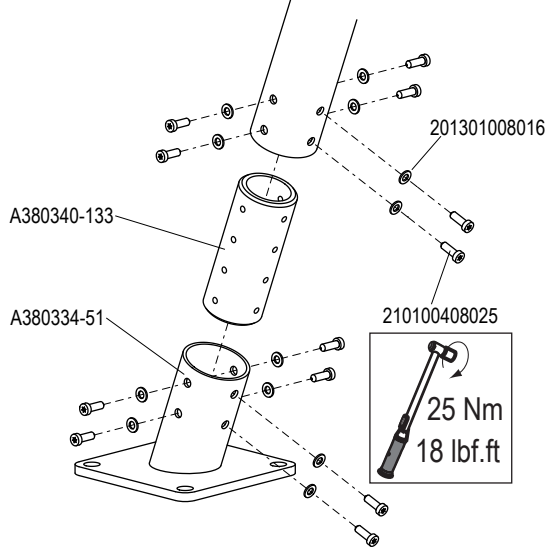
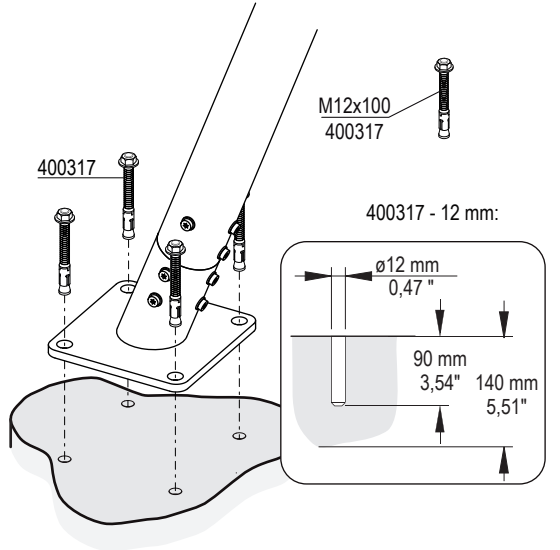
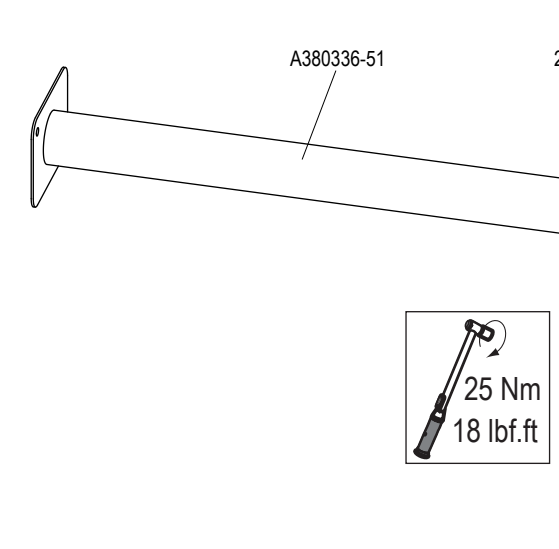
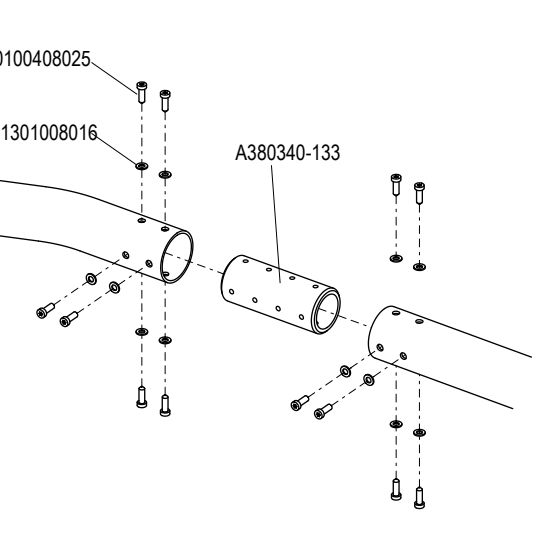
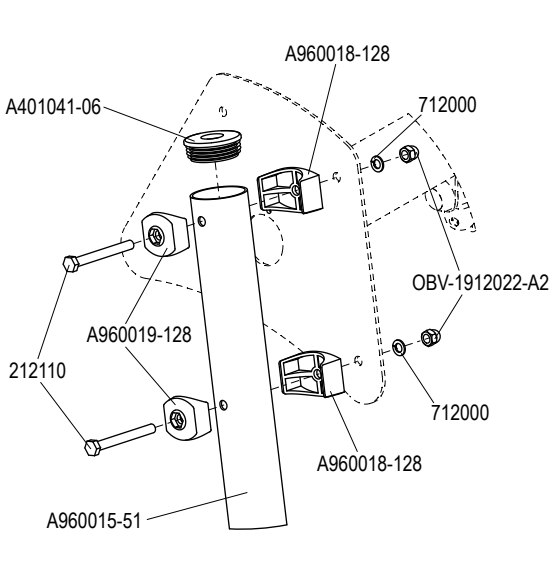
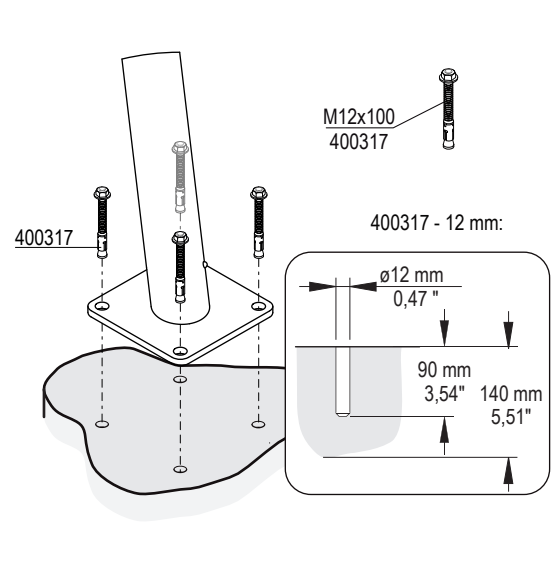
Module number	Exploded view	details
<p>CP123800-05 (600mm)</p> <p>CP123801-05 (900mm)</p>		
<p>CP123900-05</p>		

Module number	Exploded view	details
<p>CP124000-05</p>		
<p>CP124100-05</p>		

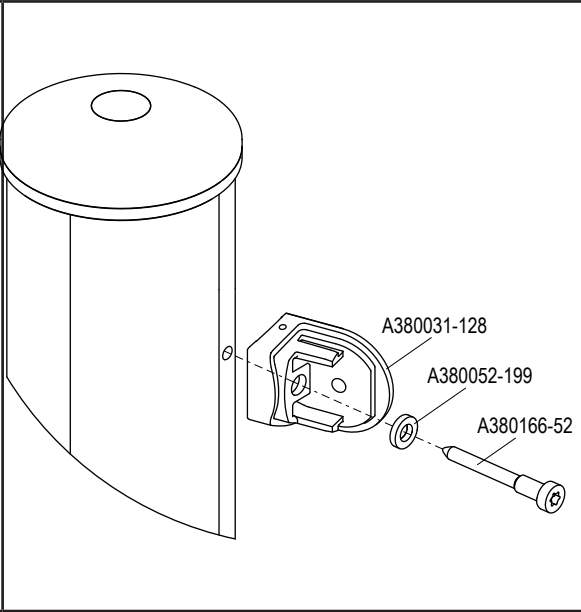
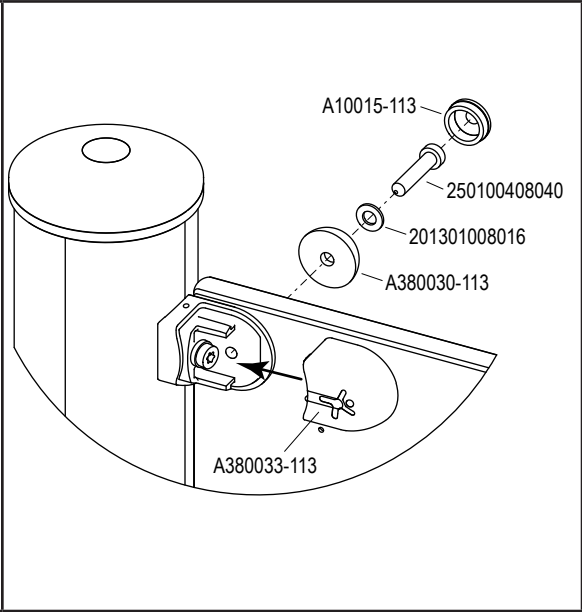
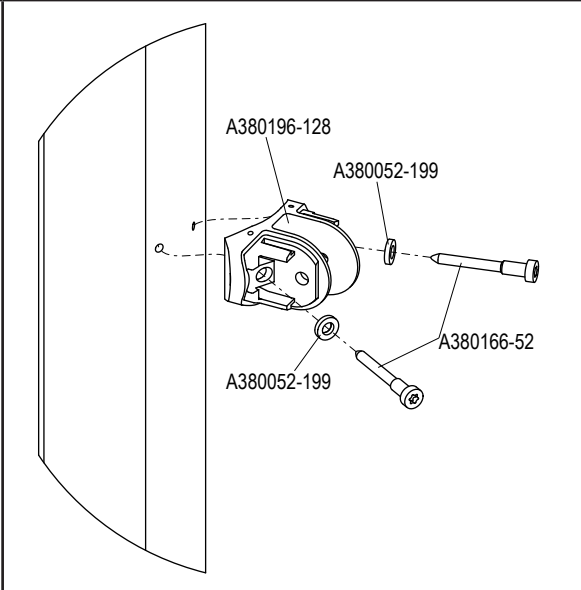
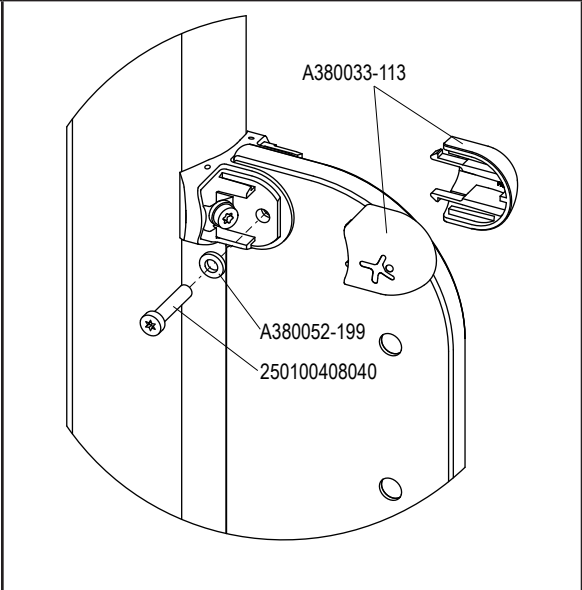
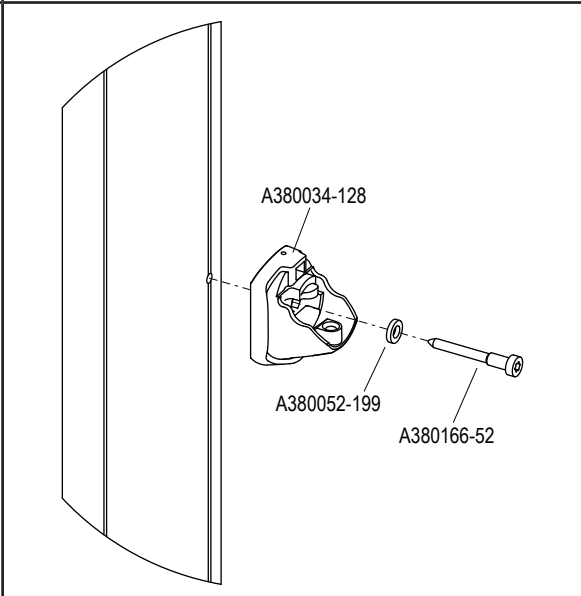
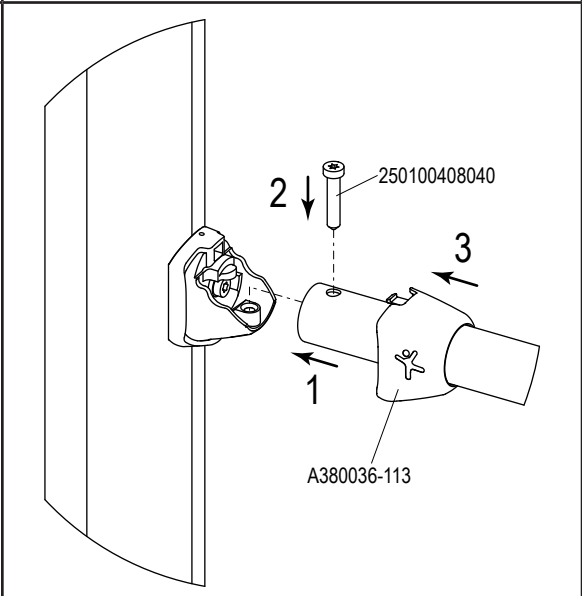
Module number	Exploded view	details
<p>CP124200-10</p>	 <p>210100408040</p> <p>201301008016</p> <p>B400035-0307</p> <p>A380030-113</p> <p>400108</p>	
<p>CP124300-10</p>	 <p>210100408040</p> <p>201301008016</p> <p>A380030-113</p> <p>400108</p> <p>B380303-0307</p> <p>210100408040</p> <p>201301008016</p> <p>A380030-113</p> <p>400108</p>	
<p>CP124400-05 (20mm-100mm Rubber Sol couté Gummi Goma Gomma Gummi Gummi Gummi Резина Kumi)</p>	 <p>400317</p> <p>210100408055</p> <p>201301008016</p> <p>M12x100 400317</p> <p>201301008016</p> <p>210100408025</p> <p>400317 - 12 mm:</p> <p>ø12 mm 0,47"</p> <p>90 mm 3,54"</p> <p>140 mm 5,51"</p>	 <p>A380435-128</p> <p>A380094-51</p> <p>100mm</p> <p>80mm</p> <p>60mm</p> <p>40mm</p> <p>20mm</p>


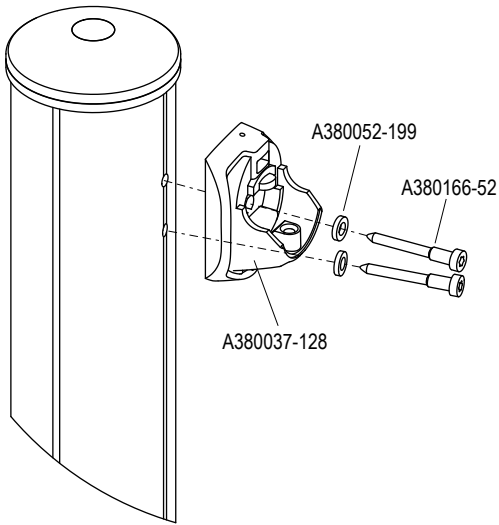
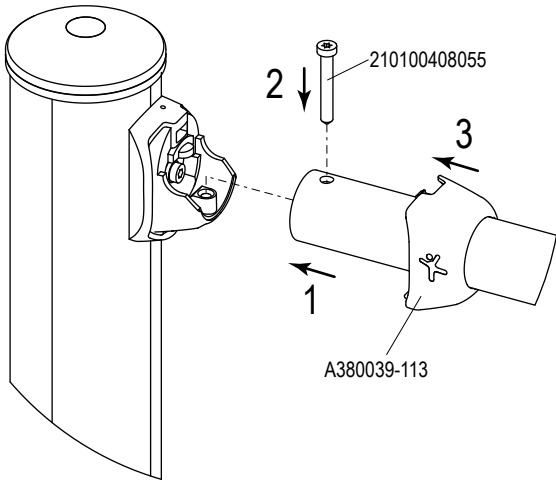
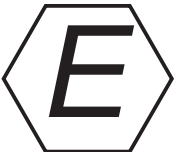
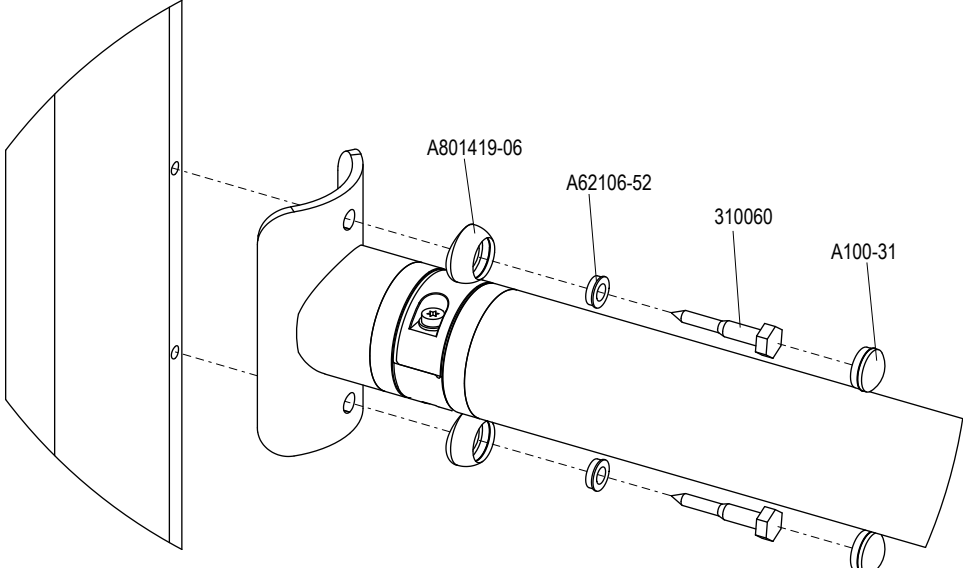

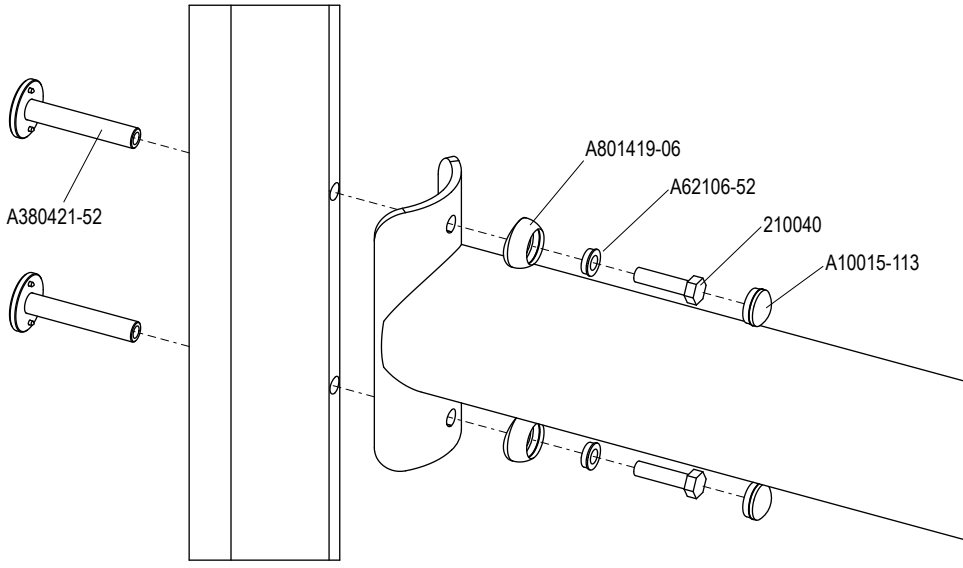
Module number	Exploded view	details
<p>CP124500-05 (600mm)</p> <p>CP124501-05 (900mm)</p>		
<p>CP124600-05</p>		


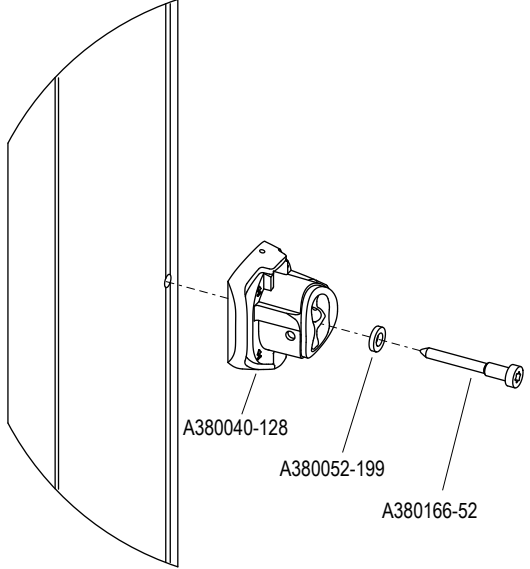
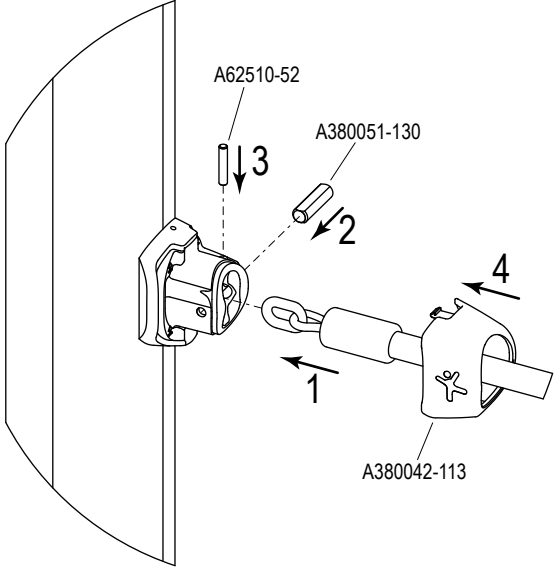

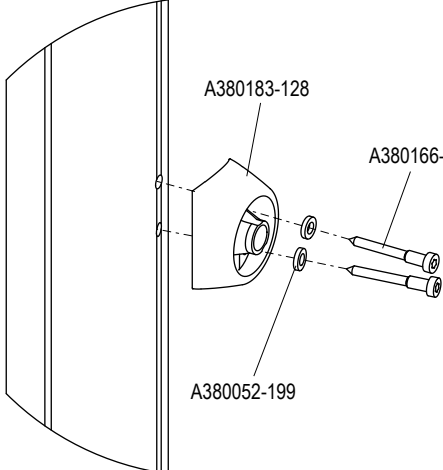

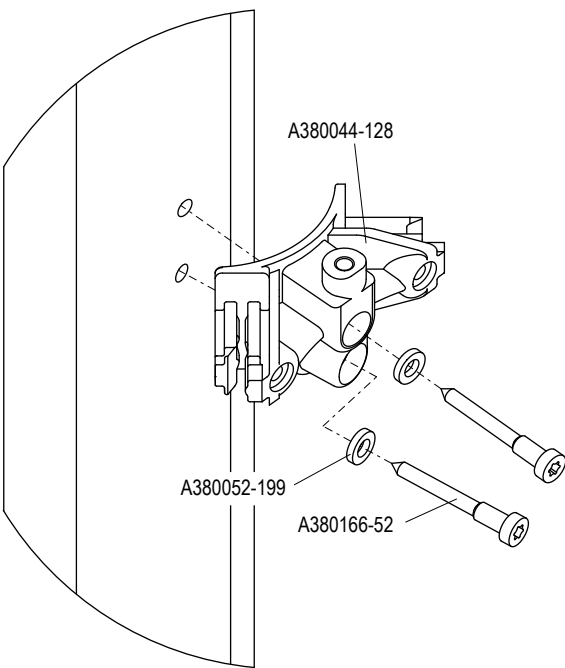
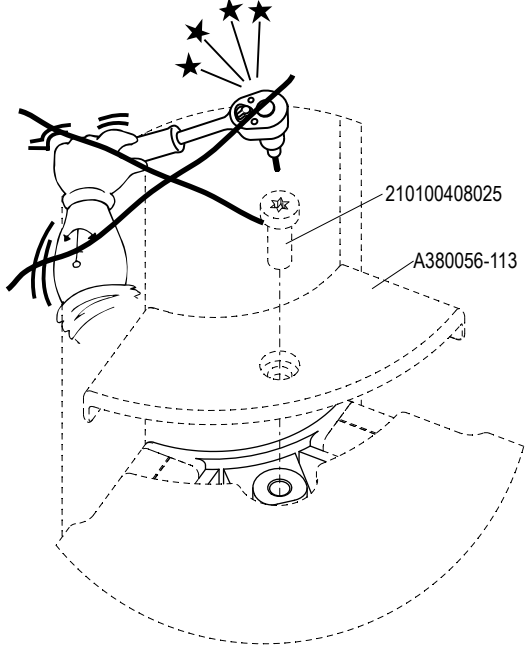
Module number	Exploded view	details
<p>CP124700-05 (600mm) CP124701-05 (900mm)</p>		
<p>CP124800-12</p>		
<p>CP124900-05</p>		

Module number	Exploded view	details
<p>CP125100-05</p>	 <p>A380340-133</p> <p>A380334-51</p> <p>201301008016</p> <p>210100408025</p> <p>25 Nm 18 lbf.ft</p>	 <p>M12x100 400317</p> <p>400317</p> <p>400317 - 12 mm:</p> <p>$\phi 12$ mm 0,47"</p> <p>90 mm 3,54"</p> <p>140 mm 5,51"</p>
<p>CP125200-05</p>	 <p>A380336-51</p> <p>210100408025</p> <p>201301008016</p> <p>A380340-133</p> <p>25 Nm 18 lbf.ft</p>	 <p>M12x100 400317</p> <p>400317</p> <p>400317 - 12 mm:</p> <p>$\phi 12$ mm 0,47"</p> <p>90 mm 3,54"</p> <p>140 mm 5,51"</p>
<p>CP125300-05</p>	 <p>A401041-06</p> <p>A960018-128</p> <p>712000</p> <p>OBV-1912022-A2</p> <p>A960019-128</p> <p>212110</p> <p>A960015-51</p> <p>A960018-128</p>	 <p>M12x100 400317</p> <p>400317</p> <p>400317 - 12 mm:</p> <p>$\phi 12$ mm 0,47"</p> <p>90 mm 3,54"</p> <p>140 mm 5,51"</p>

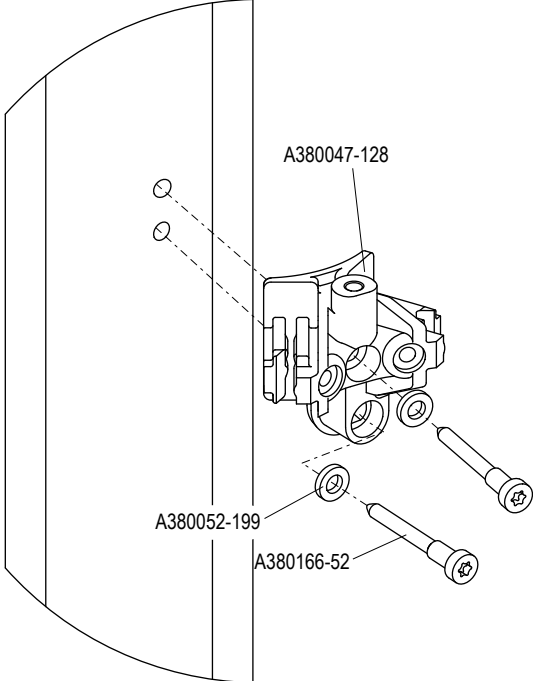
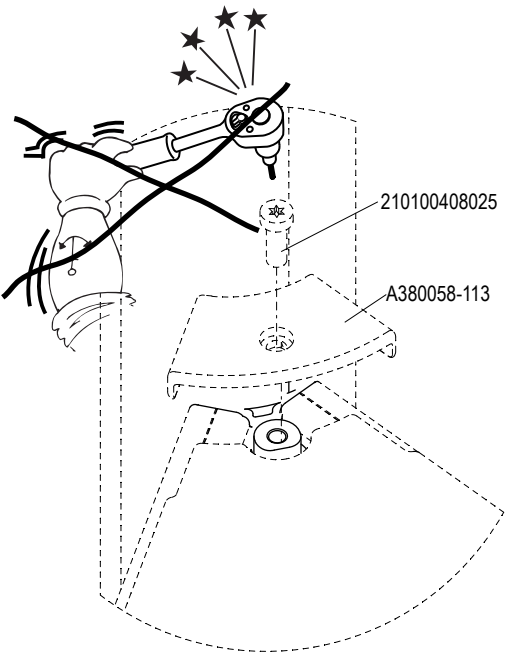
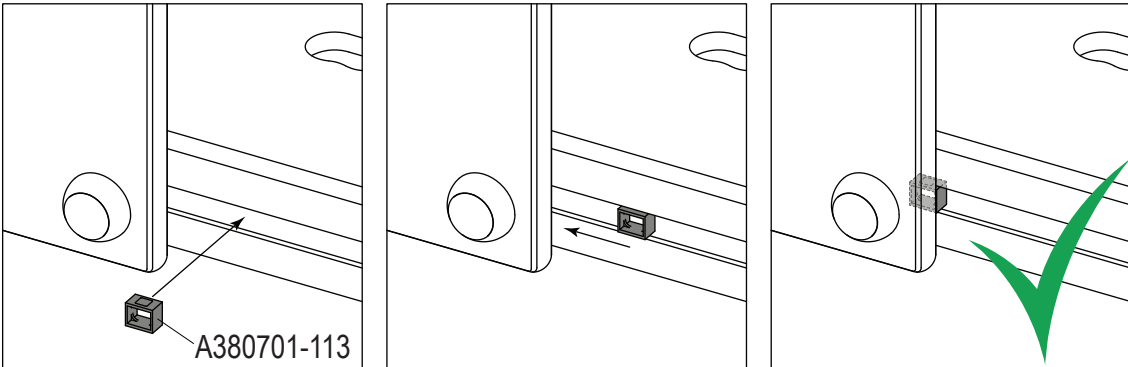
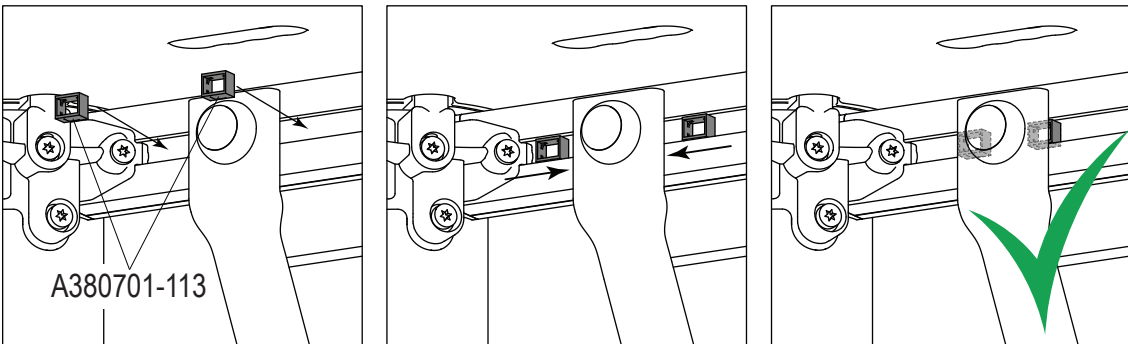
Module number	Exploded view	details
<p>CP125400-05</p>		
<p>CP125500-05</p>		
<p>CP130200-07</p>		

Module number	Exploded view	details
<p style="text-align: center;">A</p> <p>CP140100-07</p>	 <p>A380031-128 A380052-199 A380166-52</p>	 <p>A10015-113 250100408040 201301008016 A380030-113 A380033-113</p>
<p style="text-align: center;">B</p> <p>CP140500-07</p>	 <p>A380196-128 A380052-199 A380166-52 A380052-199</p>	 <p>A380033-113 A380052-199 250100408040</p>
<p style="text-align: center;">C</p> <p>CP141100-07</p>	 <p>A380034-128 A380052-199 A380166-52</p>	 <p>250100408040 1 2 3 A380036-113</p>

Module number	Exploded view	details
 <p>CP141300-07</p>		
 <p>CP141500-07</p>		
 <p>CP141700-07</p>		

Module number	Exploded view	details
 <p>CP142100-07</p>	 <p>A380040-128 A380052-199 A380166-52</p>	 <p>A62510-52 A380051-130 A380042-113</p> <p>1, 2, 3, 4</p>
 <p>CP142300-12</p>	 <p>A380183-128 A380166-52 A380052-199</p>	
 <p>CP143100-12</p>	 <p>A380044-128 A380052-199 A380166-52</p>	 <p>210100408025 A380056-113</p>

V00085 20150417 PetrJu

Module number	Exploded view	details
<p data-bbox="113 539 284 689">J</p> <p data-bbox="86 703 288 741">CP143300-12</p>	 <p data-bbox="608 450 719 477">A380047-128</p> <p data-bbox="480 815 592 842">A380052-199</p> <p data-bbox="580 853 692 880">A380166-52</p>	 <p data-bbox="1289 501 1417 528">210100408025</p> <p data-bbox="1294 591 1406 618">A380058-113</p>
<p data-bbox="105 1205 276 1355">K</p>	 <p data-bbox="512 1420 671 1447">A380701-113</p>	
<p data-bbox="105 1756 276 1906">L</p>	 <p data-bbox="368 1912 528 1939">A380701-113</p>	