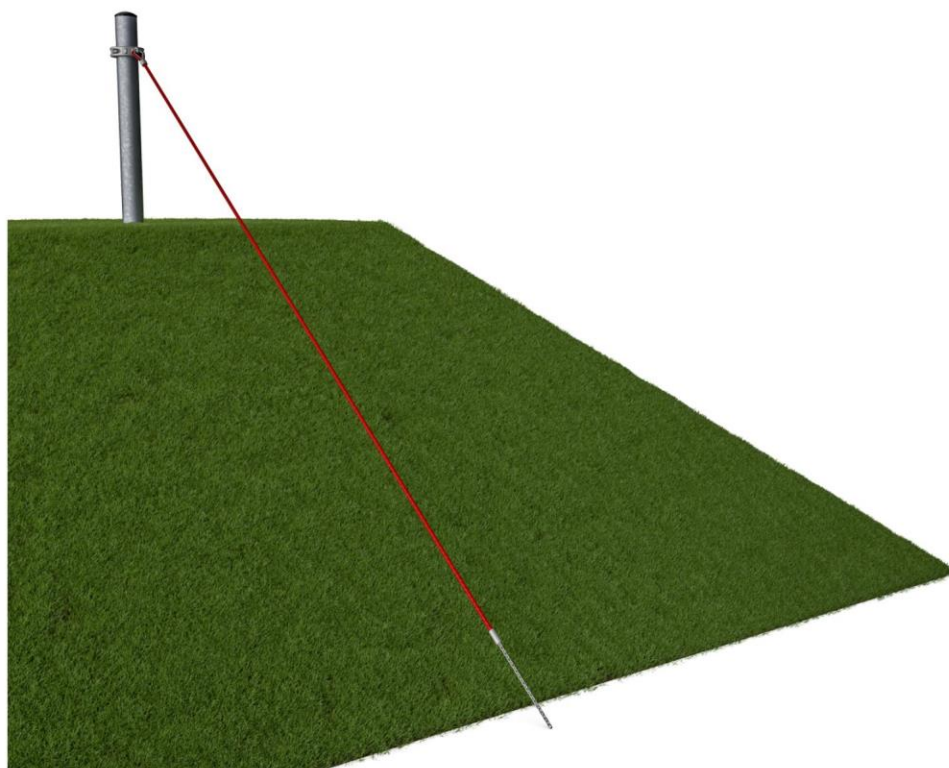


HILL CLIMBER

COR10535



Item no. COR105351-1101	
General Product Information	
Dimensions LxWxH	436 x 22 x 369 cm
Age Group	3+
Play Capacity	8 children
Colour Options	



The fun of fundamentals make children play again and again: the Hill Climber invites and supports rappelling up steep hills. The wonderful combination of stemming the feet into the hill, holding tight to the rope and leaning back, walking upwards is a repeatedly thrilling Experience. Apart from being great fun, the combination of movement also provides

great gross motor and muscle training. Hands, arms and upper body get trained when gripping the perfectly sized rope, legs get trained walking up and core muscles are put to work when leaning back, tensioning the core. The motor skill training is intense: the spatial awareness, the sense of balance and the coordination come to full use. This stimulates the

overall motor confidence of the child and helps train the ability to e.g. judge distances – important in street traffic.



HILL CLIMBER

COR10535



Corocord ropes with 19 mm diameter or more are special „Hercules“ – type with galvanised six-stranded steel wires. Each strand is tightly wrapped with PES yarn, which is melted onto each individual strand. The ropes are highly wear- and vandalism-resistant and can be replaced at site if needed.



The steel posts are hot dip galvanised inside and outside with lead free zinc. The galvanisation has excellent corrosion resistance in outside environments and requires low maintenance.



Corocord aluminum clamps are used as connectors between steel posts and rope. Two aluminum castings are bolted together. The height of the clamps is thus variable.



For this product, you have got the choice between 8 rope colours. The assortment is a wide span of colours ranking from elegant and expressive black or natural and toned-down hemp colour, to a range of attractive and eye-catching signal colours.



Hill climber ropes are ideal embankment play products, usable on slopes of 20-60° and available in various lengths.

Item no. COR105351-1101	
Installation Information	
Max. fall height	0 cm
Safety surfacing area	23.1 m ²
Numbers of Installers (persons)	2
Total installation time	3
Excavation volume	1.14 m ³
Concrete volume	0.83 m ³
Footing Depth (Standard)	110 cm
Shipment Weight	267 kg
Anchoring options	In-ground ✓
Warranty information	
Corocord Rope	5 Years
S-Clamps	10 Years
EPDM components	2 Years
Spare parts guaranteed	10 Years

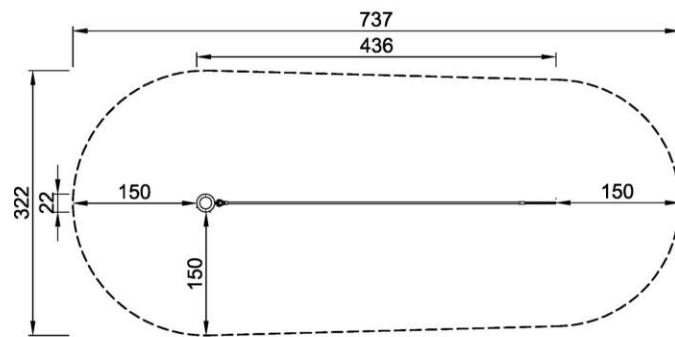


HILL CLIMBER

COR10535

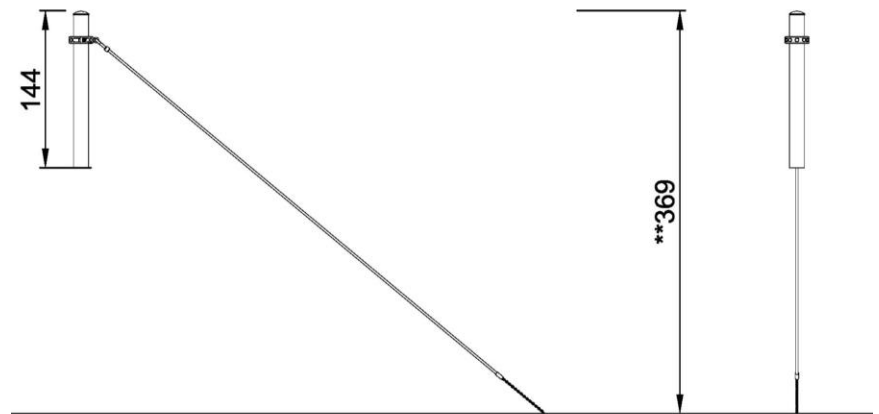
Max fall height | Total height | Safety surfacing area

Max fall height | Total height



COR105351-xx01
*0cm
**369cm
***23.1m²

Note: Total height (**) and fall zone (***) are variable.



COR105351
Note: Total height (**) is variable
1:100

[Click to see 1:100 ratio TOP VIEW](#)

[Click to see 1:100 ratio SIDE VIEW](#)

HILL CLIMBER

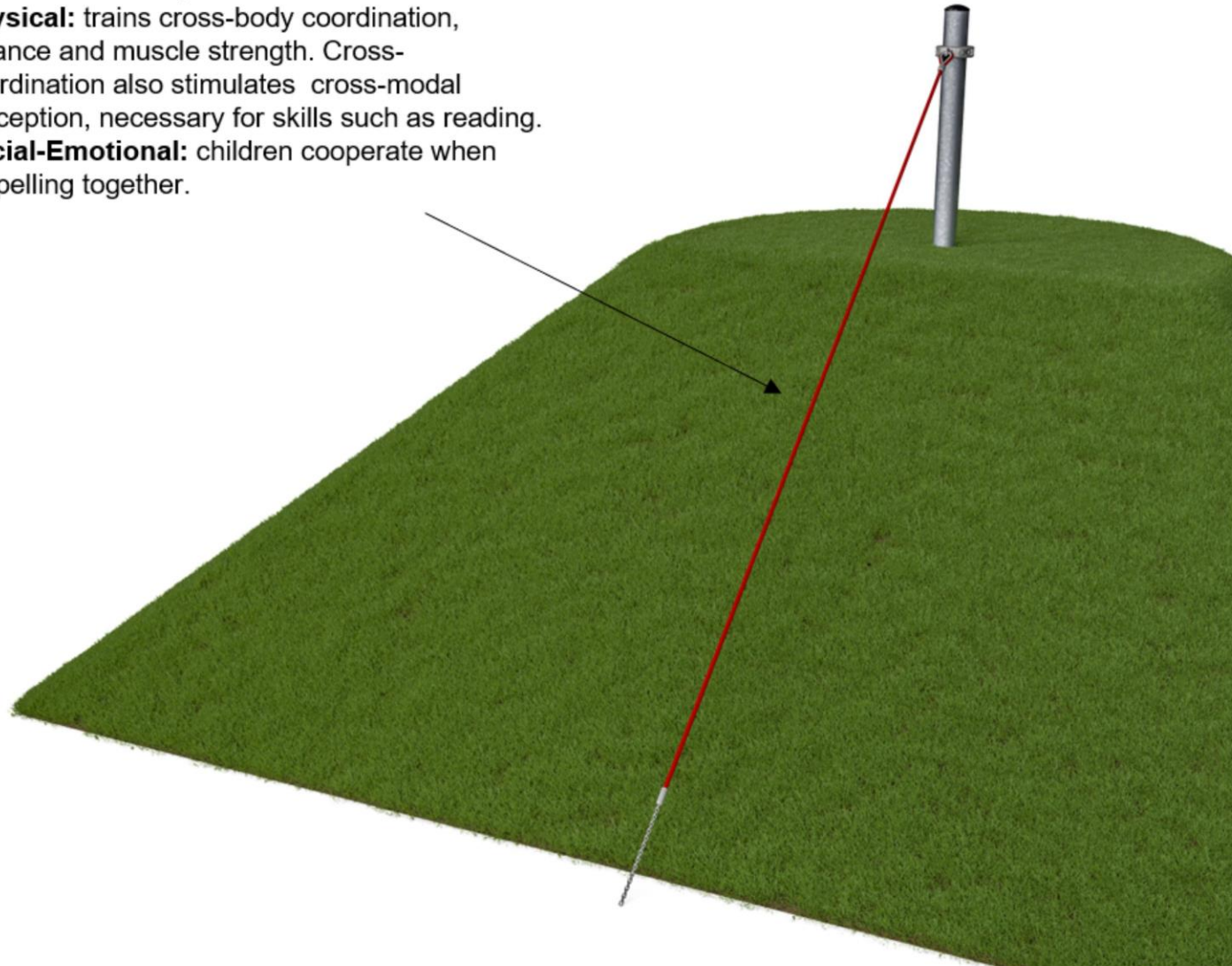
COR10535



Hill climber rope

Physical: trains cross-body coordination, balance and muscle strength. Cross-coordination also stimulates cross-modal perception, necessary for skills such as reading.

Social-Emotional: children cooperate when rappelling together.



HILL CLIMBER

COR10535



PHYSICAL
Joy of movement:
motor skills, muscle, cardio
and bone density



SOCIAL-EMOTIONAL
Joy of being together:
teamwork, tolerance and
sense of belonging



COGNITIVE
Joy of learning:
curiosity, understanding of causal
relationships and knowledge of the world



CREATIVE
Joy of creating:
co-creation and experimenting
with materials



BALANCE
To balance is to stay upright when walking or standing on a surface that makes this challenging (e.g. a wobbly, inclined, or narrow surface).



HANG IN ARMS
To hang in arms is the act of carrying the body with the hands or arms, possibly to traverse to another platform or play item.



SENSORY
To sense is the act of taking in information with the sensory system: seeing, feeling, hearing or sensing with the body.



BOUNCE
To bounce is the act of bouncing on a responsive, flexible, elastic or tensile surface.



JUMP
To jump is the act of jumping up or down on a hard surface.



SLIDE
To slide is the act of moving fast downwards seated on a slide.



CLIMB
To climb is the act of moving upwards, cross-coordinating arms and legs, on a vertical or inclined surface or net.



PULL
To pull is the act of pulling an item towards you or you towards an item with one or both hands, or possibly using the entire body.



SOCIALIZE
To socialize is the act of meeting, communicating or cooperating in an activity that stimulates and facilitates social interaction.



CONSTRUCT
To construct is the act of creating new patterns, shifting items or materials to new positions or constructing with materials that can be transformed or manipulated.



PUSH
To push is the act of pushing an item away from you with one or both hands, possibly with the entire body.



SPIN
To spin involves a fast, repeated horizontal or vertical turn of the body on a piece of equipment that facilitates the movement.



CRAWL
To crawl is the movement of moving forwards or backwards, cross-coordinating arms and legs, on a horizontal or slightly inclined surface.



ROCK
To rock is the action of rocking back and forth, or sideways, on e.g. a piece of spring equipment.



SWAY
To sway is the movement of swaying back and forth, or around, lying, seated or possibly standing, in a pendulant or circular movement, e.g. on a hammock or on a rope.



DRAMATIC PLAY
Dramatic play is motivated through play items that stage a frame, place or environment for acting out make believe or role play scenarios.



ROTATE
To rotate involves a vertical or horizontal slower paced turn of the body, facilitated by a piece of equipment.



SWING
To swing is the movement of swinging back and forth, or in circular movement, seated, standing or lying, in an unhindered arc.



GLIDE
To glide is the act of moving from one point to another without shifting the feet, in a horizontal or vertical movement, in a seated, lying or standing position, letting gravity do the work.



RULES PLAY
Rules play is motivated through play items that suggest games-with-rules, cooperation and team work, e.g. tic-tac-toe, timers or ball games.



WONDER
To wonder is motivated through play items that make children need and use their logical, abstract or creative thinking skills, as well as their memory.