


ASSISTED STEP

FSW222



Item no. FSW22200-0902

General Product Information

Dimensions LxWxH	151 x 44 x 120 cm
Age Group	13+
Capacity	1 adult
Colour Options	  



The step is probably the most simple and versatile device available. The step-up exercise is an essential exercise that can be used for both strength, posture control and cardio exercise. For accommodating the balance and safety challenges for elderly people, the step is complimented with a support rail.



ASSISTED STEP

FSW222



The information sign is made of a PA6 (Polyamide) and shows the most relevant exercise and a QR code. When scanned the QR code will link to an animated illustration of the exercise and offers the possibility of downloading the KOMPAN sport & fitness App, which will provide a large amount of exercises and workouts.



The connectors are made of die-cast aluminum, specially alloyed for the outdoor environments and heavy usage. The screws attaching the connectors are stainless steel and protected by zinc washers.



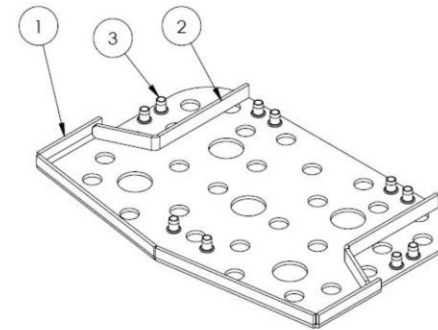
Bars intended as grips during exercises are made of hot-dip galvanized steel Ø38 mm, a great diameter for a good grip and to support the wrist.



The surface is produced of recycled SBR (Styrene Butadiene Monomer, Synthetic Rubber) UV stabilized to a maximum without use of heavy metal stabilizers, for optimal grip during jumping and step on step off exercises under all weather circumstances.



Post are made of Ø101.6 x 2mm, pre-galvanized carbon steel and powder coated, a great protection to all conditions.



A 5 mm hot-dip galvanized carbon steel plate is moulded inside the SBR to offer optimal stability and optimize the mounting of the step to the frame.

Item no. FSW22200-0902

Installation Information

Max. fall height	20 cm
Safety surfacing area	12.3 m ²
Numbers of Installers (persons)	2
Total installation time	3
Excavation volume	0.18 m ³
Concrete volume	0.09 m ³
Footing Depth (Standard)	90 cm
Shipment Weight	89 kg
Anchoring options	In-ground ✓ Surface ✓

Warranty information

Galvanised Structural Parts	Lifetime
Post	10 Years
Connectors	10 Years
SBR	2 Years
Spare parts guaranteed	10 Years

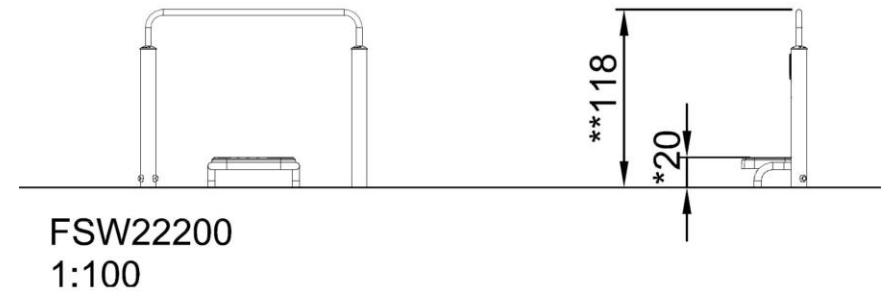
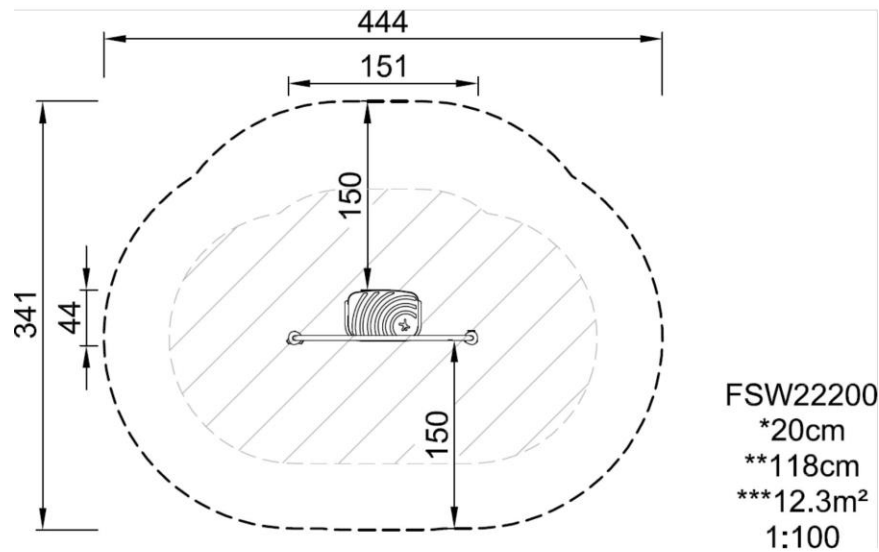


ASSISTED STEP

FSW222

Max fall height | Total height | Safety surfacing area

Max fall height | Total height



[Click to see 1:100 ratio TOP VIEW](#)

[Click to see 1:100 ratio SIDE VIEW](#)