




# DOUBLE STAIRS

FSW230



Item no. FSW23000-0902

### General Product Information

Dimensions LxWxH	101 x 253 x 163 cm
Age Group	13+
Capacity	2 adults
Colour Options	  



The stair is a very common everyday obstacle. Maintaining the ability to safely overcome any stairs is very important for elderly people to safely move around in urban environments. The stairs are available in two different versions: normal stairs or steep stairs. This allows for progression in exercise that can fit everyone – for example going from the normal stairs with

hand support to the steep stairs without support. The stairs can also be used for simple effective exercises like step-ups, lunges and even jumping.

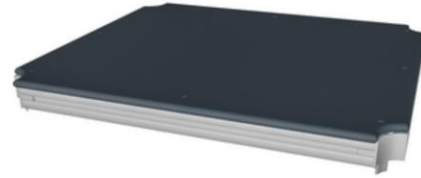


# DOUBLE STAIRS

FSW230



Bars intended as grips during exercises are made of hot-dip galvanized steel Ø38 mm, a great diameter for a good grip and to support the wrist.



All decks are supported by unique designed aluminum profiles with multiple attachment options by usage of pressure molded aluminum connectors. The HPL decks with a thickness of 17,8mm with a very high wearing strength and a unique KOMPAN nonskid surface texture



Panels of 19mm EcoCore™. EcoCore™ is a highly durable, ecofriendly material, which is not only recyclable after use, but also consists of a core produced from 100% recycled material.



Post are made of Ø101.6 x 2mm, pre-galvanized carbon steel and powder coated, a great protection to all conditions



The information sign is made of a PA6 (Polyamide) and shows the most relevant exercise and a QR code. When scanned the QR code will link to an animated illustration of the exercise and offers the possibility of downloading the KOMPAN sport & fitness App, which will provide a large amount of exercises and workouts.



The connectors are made of die-cast aluminum, specially alloyed for the outdoor environments and heavy usage. The screws attaching the connectors are stainless steel and protected by zinc washers

Item no. FSW23000-0902

### Installation Information

Max. fall height	69 cm
Safety surfacing area	20 m <sup>2</sup>
Numbers of Installers (persons)	2
Total installation time	10
Excavation volume	0.23 m <sup>3</sup>
Concrete volume	0.1 m <sup>3</sup>
Footing Depth (Standard)	90 cm
Shipment Weight	290 kg
Anchoring options	In-ground ✓ Surface ✓

### Warranty information

Panels	Lifetime
Post	10 Years
Floors (decks)	10 Years
Galvanised structural parts	Lifetime
Spare parts guaranteed	10 Years

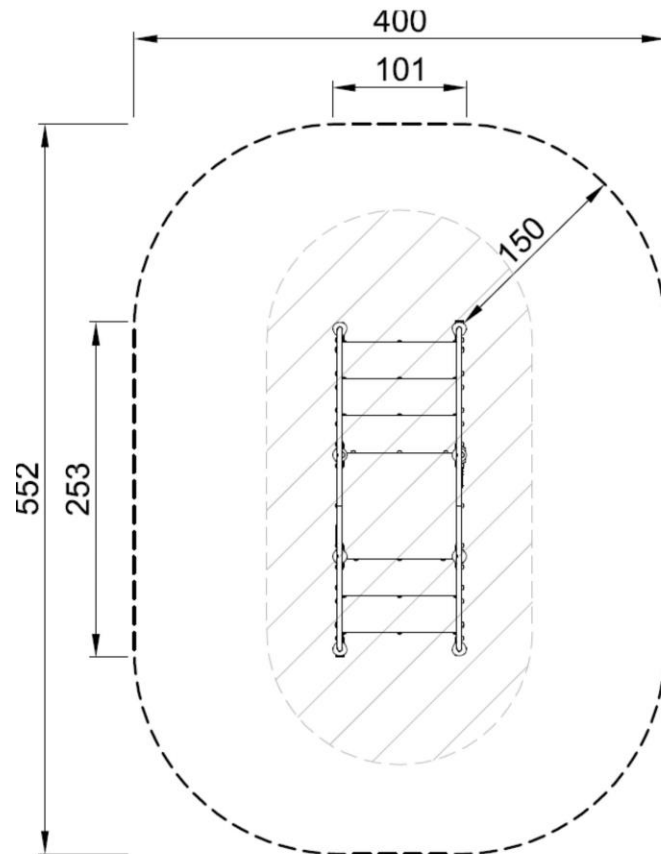


# DOUBLE STAIRS

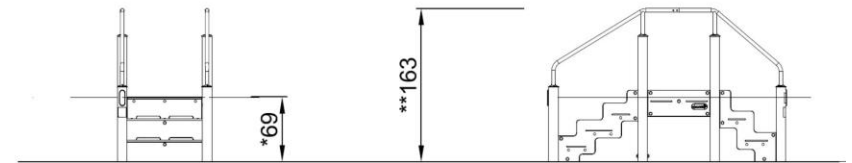
FSW230

Max fall height | Total height | Safety surfacing area

Max fall height | Total height



FSW23000  
\*69cm  
\*\*163cm  
\*\*\*20m<sup>2</sup>  
1:100



FSW23000  
1:100

[Click to see 1:100 ratio TOP VIEW](#)

[Click to see 1:100 ratio SIDE VIEW](#)