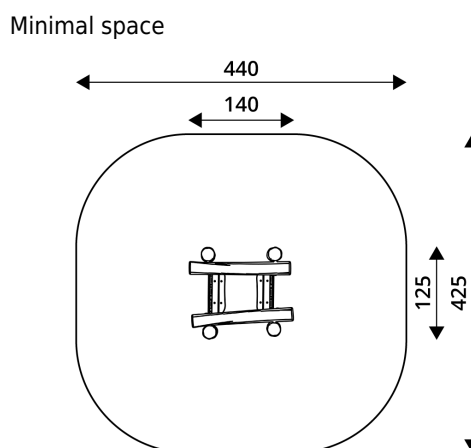


ROBINIA RB1334 PLAYGROUND EQUIPMENT



Device Specifications	
Safety zone	16,8 m ²
Length	140 cm
Width	125 cm
Total height	160 cm
Free fall height	< 60 cm
Age range	1-8 years
In accordance with EN standards	1176-1:2017
Weight of the heaviest part [kg]	51 kg
Dimension of the biggest part [cm]	220x18x18
Availability of spare parts	Yes



MATERIAL SPECIFICATION

- Construction made of Robinia - very durable acacia wood with a diameter of ~ 18 cm without sharp edges, resistant to weather conditions,
- Side panels and seats made of Robinia - very durable acacia wood, resistant to weather conditions,
- Stainless steel and/or galvanized steel screws,
- Screws covered with plastic caps or stainless steel screws.

ADDITIONAL COMMENTS

- equipment intended for public playgrounds,
- equipment has a certificate issued by an accredited entity or a declaration of conformity,
- no sharp edges or chinks that would pose a danger of jimming the head, fingers or any other body parts,
- anchoring on flat surface, 80/70/60 cm deep,
- render is for reference only, the actual appearance of the equipment and its color may vary.

SURFACES

Due to the free fall height of the equipment, the EN 1176-1:2017 standard allows the following surfaces: turf/ soil (A,B,C), sand with minimal layer thickness of 30 cm (A,C), synthetic material approved for free fall of 0,60 m.

