



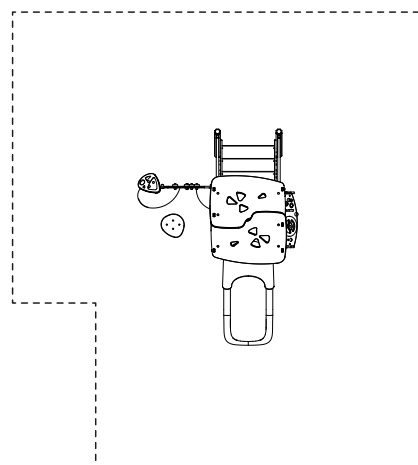
CATALOG COLLECTION	TIKA LINE
DIMENSIONS (L x W x H) in cm	190 x 260 x 240
MAXIMUM CFH:	60
IMPACT ATTENUATING SURFACE:	min. 25,50 m ² - MAX 27,50 m ²
SUGGESTED AGE OF USE	3 - 6

SECURITY AREA

← 490 →

COMPOSITION

- n°5 octagonal aluminium poles
- n°1 aluminium deck
- n°1 HDPE sheet gable roof
- n°2 metal guardpanels
- n°1 aluminium stairs
- n°1 modular slide
- n°3 HDPE sheet playpanels
- n°2 HDPE sheet benches
- n°1 HDPE sheet table
- n°1 HDPE sheet decoration



Make a proper security surface according to CFH. **Periodic maintenance is mandatory**, following manual supplied to customer.