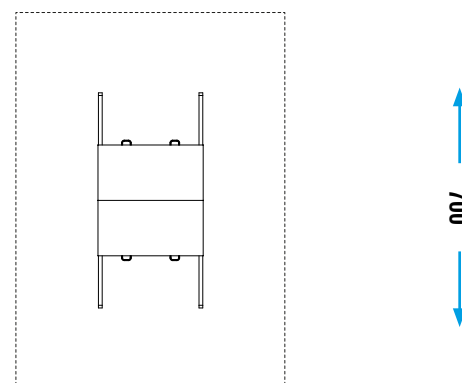




<b>CATALOG COLLECTION</b>	PLAYGROUND ESSENTIALS
<b>DIMENSIONS (L x W x H) in cm</b>	400 x 195 x 45
<b>MAXIMUM CFH</b>	-
<b>IMPACT ATTENUATING SURFACE</b>	min. 35,00 m <sup>2</sup> - MAX 35,00 m <sup>2</sup>
<b>SUGGESTED AGE OF USE</b>	3 - 9
<b>COMPOSITION</b>	80x320mm section glulam timber frame. HDPE sheet covers with decorative engravings sliding onto inner wheels. Provided with security metal hooks to be blocked in opened position and with security HDPE blocking system to avoid accidental opening.  (Sand not supplied)

**SECURITY AREA**  
495



Make a proper security surface according to CFH. **Periodic maintenance is mandatory**, following manual supplied to customer.