

Product technical sheet

# WORKOUT RB2311



14+



< 140 kg



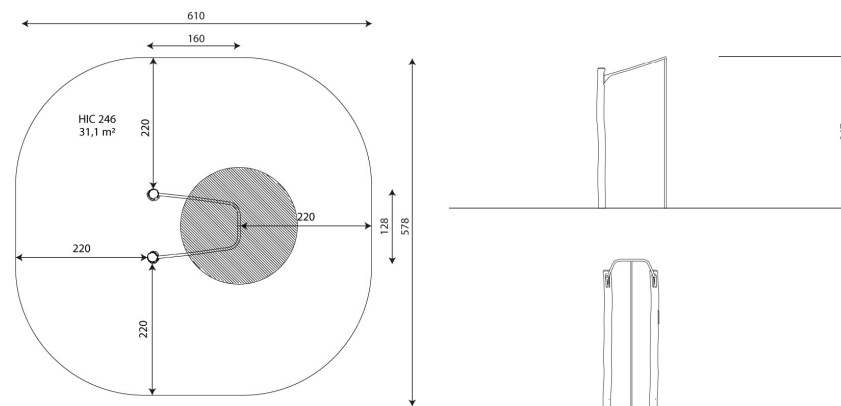
31,1 m<sup>2</sup>



## Product data

|                                |                     |
|--------------------------------|---------------------|
| Length                         | 160 cm              |
| Width                          | 128 cm              |
| Total height                   | 347 cm              |
| Age group                      | 14+ years           |
| Maximum weight of user         | 140 kg              |
| Safety zone                    | 31,1 m <sup>2</sup> |
| Free fall height               | 246 cm              |
| In accordance with norm EN     | 16630:2015          |
| Weight of the heaviest part    | 96 kg               |
| Dimensions of the largest part | 4x4x450 cm          |
| Availability of spare parts    | YES                 |

Data is subject to change without prior notice.



## Material specification



Construction made of Robinia - very durable acacia wood with a diameter of ~ 18 cm without sharp edges, resistant to weather conditions,



Stainless steel screws and/or screws covered with plastic caps,



Aluminum exercise instructions plate screwed to HDPE plate, resistant to weather conditions,



Stainless steel bars with a diameter of 38 mm for a comfortable grip during exercises.

## Additional information

- device intended for public outdoor gyms;
- equipment has a certificate issued by an accredited entity or a declaration of conformity;
- no sharp edges or chinks that would pose a danger of jimmieing the head, fingers or any other body parts;
- anchoring on flat surface, 100 cm deep;
- render is for reference only, the actual appearance of the equipment and its color may vary;

## Guarantee

- 30** 30 year guarantee - Structural strength of steel and stainless steel components
- 15** 15 year guarantee - Structural failure of steel and stainless steel, for dynamic equipment
- 10** 10 year guarantee - Structural failure of high density polyethylene and high pressure laminates components
- 5** 5 year guarantee - Corrosion of stainless steel and hot dip galvanized and powder coated components; against bark beetles and rot in case of wooden structural elements

Detailed information in the guarantee card

Vinci Group Sp. z o.o.  
Seminaryjna 9 Street  
99-400 Łowicz

VAT: 534-250-14-46  
PHONE: +48 42 203 24 99 ext. 26  
M: +48 793 404 991

12/04/2021

**workout**

biuro@vinci-play.com  
info@vinci-play.com  
[www.vinci-play.com](http://www.vinci-play.com)

2 / 3

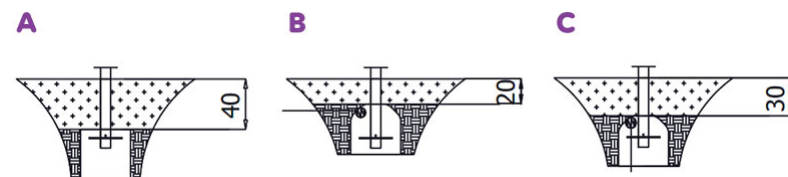
## Amount of safe surface corresponding with free fall height:

HIC 246 29,1 m<sup>2</sup>

Data is subject to change without prior notice.

## Surfaces EN 16630:2015

|  | Description (mm)               | Layer thickness (cm) | Maximum fall height (cm) |
|--|--------------------------------|----------------------|--------------------------|
| Concrete / stone / bituminous surfaces (A, B, C) | -                              | -                    | ≤100                     |
| outer soil layer (A,B,C)                         | -                              | -                    | ≤120                     |
| Turf (A,B,C)                                     | -                              | -                    | ≤150                     |
| bark (A,C)                                       | Particle size from 20 to 80    | 30                   | ≤200                     |
|  |                                | 40                   | ≤300                     |
| wood shavings/cuttings (A, C)                    | Particle size from 5 to 30     | 30                   | ≤200                     |
|  |                                | 40                   | ≤300                     |
| sand (A,C)                                       | Particle size from 0,2 to 2 mm | 30                   | ≤200                     |
|  |                                | 40                   | ≤300                     |
| gravel (A,C)                                     | Particle size from 2 to 8      | 30                   | ≤200                     |
|  |                                | 40                   | ≤300                     |
| attested synthetic (A, B, C)                     | Tested according to EN 1177    |                      | 246                      |



Vinci Group Sp. z o.o.  
Seminaryjna 9 Street  
99-400 Łowicz

VAT: 534-250-14-46  
PHONE: +48 42 203 24 99 ext. 26  
M: +48 793 404 991

**workout**

biuro@vinci-play.com  
info@vinci-play.com  
[www.vinci-play.com](http://www.vinci-play.com)