

# Saturn 4 Carousel

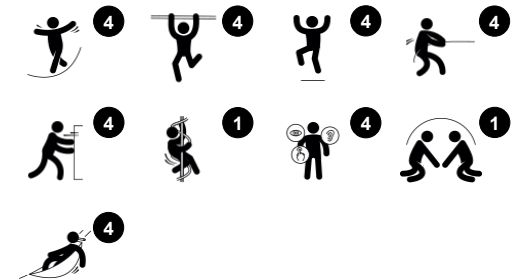
GXY958



Item no. GXY958000-3817

## General Product Information

Colour options	●
Dimensions LxWxH	316x316x253 cm
Age group	6+
Play capacity (users)	4



The wildly thrilling Saturn Carousel is a irresistible play invitation for older children. With its four rope-suspended seats and its stable overhead handles, the Saturn Carousel can be pushed and pulled into a milder or wilder spin. This variation encourages repeated play for brave-hearts as well as more timid players. Socially, the Saturn Carousel trains

children's turn-taking and teamworking skills. It provides a place to hang when chatting. Physically, the pushing, pulling and running the carousel into motion train the upper and lower body muscles of the children. The heartbeat speeds up when running the carousel into motion. Last, but not least, the senses of balance and space get trained intensely when

standing, sitting or hanging in the arms while spinning, wildly or mildly.

# Saturn 4 Carousel

GXY958



## Teardrop handle

**Physical:** develop upper body muscles, when e.g. pulling yourself up or hanging in your arms.



## Rounded seat

**Physical:** balance when sitting or standing. The sense of balance is important for instance for being able to sit still.

**Social-emotional:** negotiation and turn-taking when deciding who should sit here.



## Rotation

**Physical:** pushing or pulling it into motion, children use their muscle strength and strengthen their cardio. The rotation develops the sense of balance and space when enjoying the ride.

**Social-emotional:** listening and negotiating how slow or fast to go, children develop their empathy and cooperation skills.



## PUR covered rope

**Physical:** firm grip when spinning and hanging from arms. Arm muscles developed when holding tight.



# Saturn 4 Carousel

GXY958



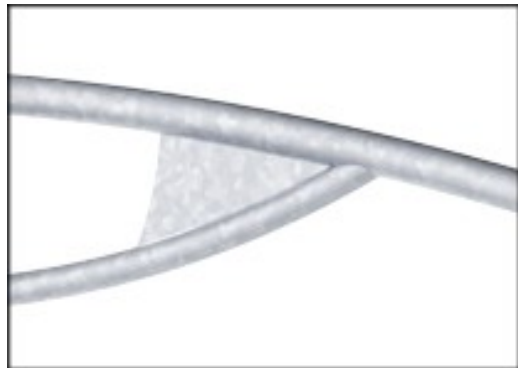
Saturn ropes has six-stranded steel wires and a steel wire core. Each strand is tightly wrapped with PES yarn, which is melted onto each individual strand. After initial friction has removed the surface fibres, a harder PES coating remains to protect each strand, making the ropes highly wear- and vandalism-resistant.



The special designed seat is made of a stainless-steel insert covered with a soft layer of PUR rubber. The seat is impact tested to fulfill all global playground standards and the rope has an ergonomic handhold of a 100cm long moulded on PUR rubber handle.



The two angled top handles are made of a moulded PP insert with an outer soft layer of TPV rubber. The handle is attached to the pipe with a galvanised steel inlay to ensure strength and durability.



The steel surfaces are hot dip galvanised inside and outside with lead free zinc. The galvanisation has excellent corrosion resistance in outside environments and requires low maintenance.



Heavy duty engineered bearing system with single row deep groove ball bearings with rubber seals. The fully closed bearing construction is lifetime lubricated and maintenance free.

Item no. GXY958000-3817

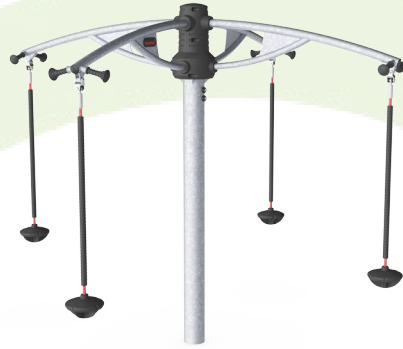
## Installation Information

Max. fall height	150 cm
Safety surfacing area	186,3 m <sup>2</sup>
Number of installers	2
Total installation time	4,1
Excavation volume	1,20 m <sup>3</sup>
Concrete volume	0,80 m <sup>3</sup>
Footing depth (standard)	100 cm
Shipment weight	236 kg
Anchoring options	

## Warranty Information

Hot dip galvanised steel	Lifetime
PUR components	10 years
Bearing construction	5 years
Ropes & nets	10 years
Spare parts guaranteed	10 years





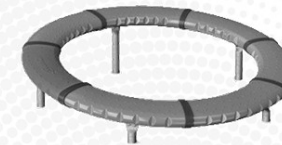
Cradle to Gate A1-A3	Total CO <sub>2</sub> emission	CO <sub>2</sub> e/kg	Recycled materials
	kg CO <sub>2</sub> e	kg CO <sub>2</sub> e/kg	%
<b>GXY958000-3817</b>	590,80	2,80	42,00

The overall framework applied for these factors is the Environmental Product Declaration (EPD), which quantifies "environmental information on the life cycle of a product and enable comparisons between products fulfilling the same function" (ISO, 2006). This follows the structure and applies a Life-Cycle Assessment approach to the entire Product stage from raw material through manufacturing (A1-A3))

**Kompan A/S**  
 C.F. Tietgens Boulevard 32C  
 DK-5220 Odense SØ  
 Denmark



### Validation of CO<sub>2</sub> calculation of: Freestanding play equipment



Data version no. 2021-09-27

The CO<sub>2</sub> calculation and data are in compliance with the principles of a carbon footprint impact according to the GHG protocol (Greenhouse Gas Protocol), Scope 3, cradle to gate related to all individual components in the product category: "Freestanding play equipment" represented by item no.: GXY916012-3417.

(Scope 3 emissions include emission sources in the upstream and downstream value chain).

**Date: 15. October 2021 | Valid until: 15. October 2023**

**Validated by:**

Bente Hviid, Senior Consultant

Peter Bendtsen, Senior Consultant

Validation based on report: Validation of CO<sub>2</sub> calculation of 8 categories of Kompan product line, version 1.0, prepared by: Bureau Veritas HSE, Denmark: Bente Hviid and Peter Bendtsen.

**Publication date: 15. October 2021**

**By Bureau Veritas HSE**  
 www.bureauveritas.dk  
 +45 7731 1000

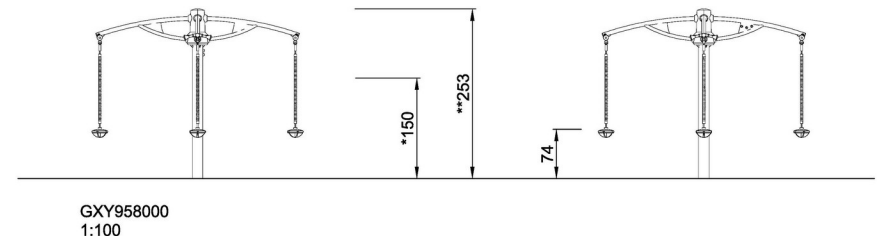
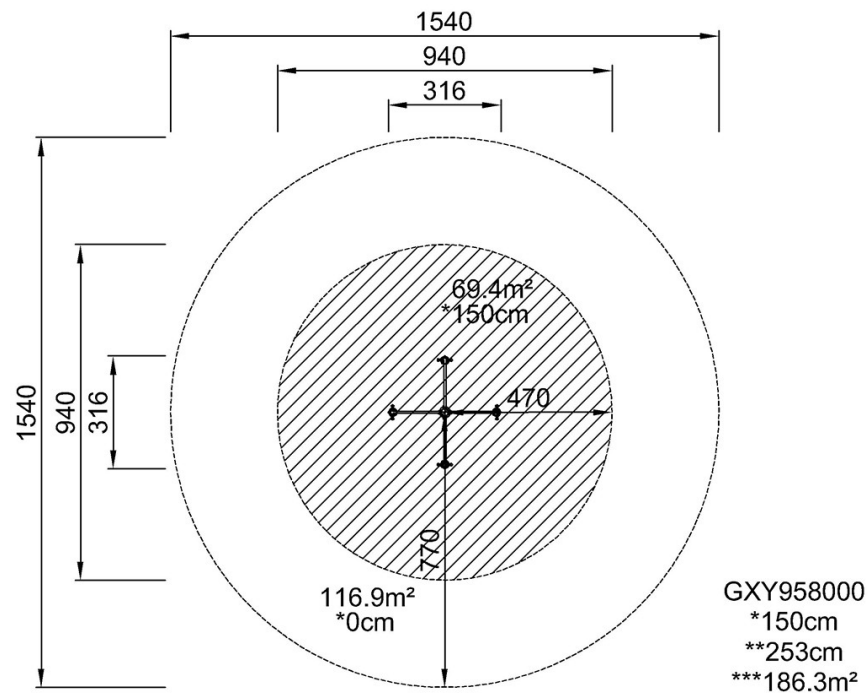


# Saturn 4 Carousel

GXY958

\* Max fall height | \*\* Total height | \*\*\* Safety surfacing area

\* Max fall height | \*\* Total height



[Click to see TOP VIEW](#)

[Click to see SIDE VIEW](#)