

Product technical sheet

ROBINIA RB1339



1 - 8 years



3 kids



15,3 m²

Material specification

- Construction made of Robinia - very durable acacia wood with a diameter of ~ 18 cm without sharp edges, resistant to weather conditions,
- Music panels made of durable HDPE and HPL plate, resistant to weather conditions,
- Xylophone made of aluminum pipes and durable HDPE plate, resistant to weather conditions and rubber with textile reinforcement,
- Screws covered with plastic caps and/or stainless steel screws,



Facilitating disability



sound stimulation



easy access



integration



Intellectual development



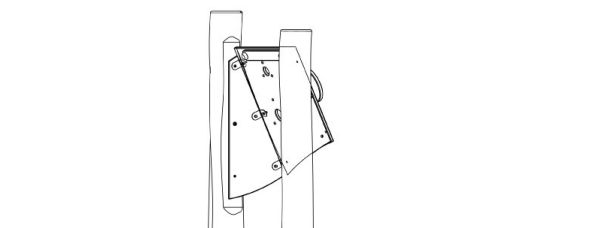
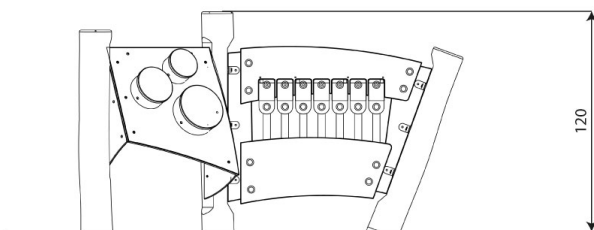
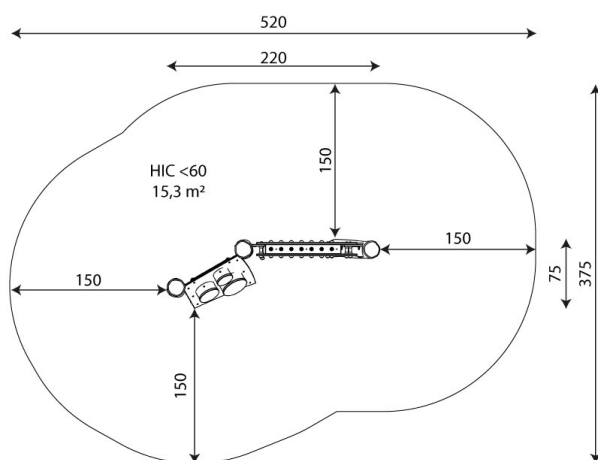
music





2

number of interactive elements



Product technical sheet

ROBINIA RB1339

Product data

Length	220 cm
Width	75 cm
Total height	120 cm
Age group	1 - 8 years
Number of users	3 kids
Safety zone	15,3 m2
Free fall height	<60 cm
In accordance with norm EN	EN 1176-1:2017
Weight of the heaviest part	37 kg
Dimensions of the largest part	18x18x180 cm
Availability of spare parts	YES

Data is subject to change without prior notice.

Additional information

- equipment adapted for the disabled; intended for public playgrounds;
- equipment has a certificate issued by an accredited entity or a declaration of conformity;
- no sharp edges or chinks that would pose a danger of jimmie the head, fingers or any other body parts;
- render is for reference only, the actual appearance of the equipment and its color may vary;

Guarantee

30

30 year guarantee - Structural strength of steel and stainless steel components

15

15 year guarantee - Structural failure of steel and stainless steel, for dynamic equipment

10

10 year guarantee - Structural failure of high density polyethylene and high pressure laminates components

5

5 year guarantee - Corrosion of stainless steel and hot dip galvanized and powder coated components; against bark beetles and rot in case of wooden structural elements

Detailed information in the guarantee card

Vinci Group Sp. z o.o.
Seminarnyja 9 Street
99-400 Łowicz

VAT: 534-250-14-46
PHONE: +48 42 203 24 99 ext. 26
M: +48 793 404 991



biuro@vinci-play.com
info@vinci-play.com
www.vinci-play.com

Surfaces according to EN EN 1176-1:2017

	Description (mm)	Layer thickness (cm)	Maximum fall heights (cm)
Turf/ top layer of soil (A,B,C)	-	-	≤100
bark (A,C)	Particle size from 20 to 80	30	≤200
		40	≤300
woodchips (A,C)	Particle size from 5 to 30	30	≤200
		40	≤300
sand or gravel (A,C)	Particle size from 0,25 to 8	30	≤200
		40	≤300
synthetic attested (A,B,C)	Tested according to EN 1177		<60

Product technical sheet

ROBINIA RB1339

Amount of safe surface corresponding with free fall height:

HIC <60 15,3 m²

Data is subject to change without prior notice.

