

455
TRENINO CON SCIVOLO



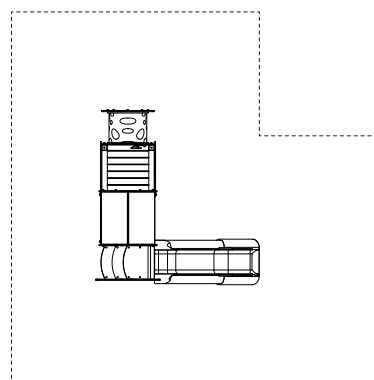
CATALOG COLLECTION	PLAYGROUND ESSENTIALS
DIMENSIONS (L x W x H) in cm	280 x 265 x 185 (615 x 580)
MAXIMUM CFH	85
IMPACT ATTENUATING SURFACE	min. 32,00 m ² - MAX 36,00 m ²
SUGGESTED AGE OF USE	3 - 9

SECURITY AREA

← 580 →

COMPOSITION

- n°6 timber poles
- n°2 timber decks
- n°1 HDPE sheet roof
- n°4 HDPE sheet guardpanels
- n°1 tunnel
- n°1 HDPE sheet bench
- n°1 rotating mold PTE slide



615

Make a proper security surface according to CFH. **Periodic maintenance is mandatory**, following manual supplied to customer.