

Inclusive Twister

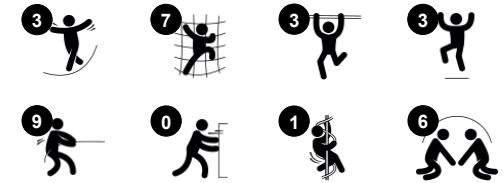
COR20330



Item no. COR203301-1101

General Product Information

Dimensions LxWxH	171x171x225 cm
Age group	5+
Play capacity (users)	12
Colour options	



The Inclusive Twister is a truly thrilling universal play magnet for children across ages and abilities. The roomy platform and the wide net openings are based on user input from children of all abilities. They ease access and egress and make staying and playing comfortable for all, for longer. The handgrips in the platform provide a grip point when

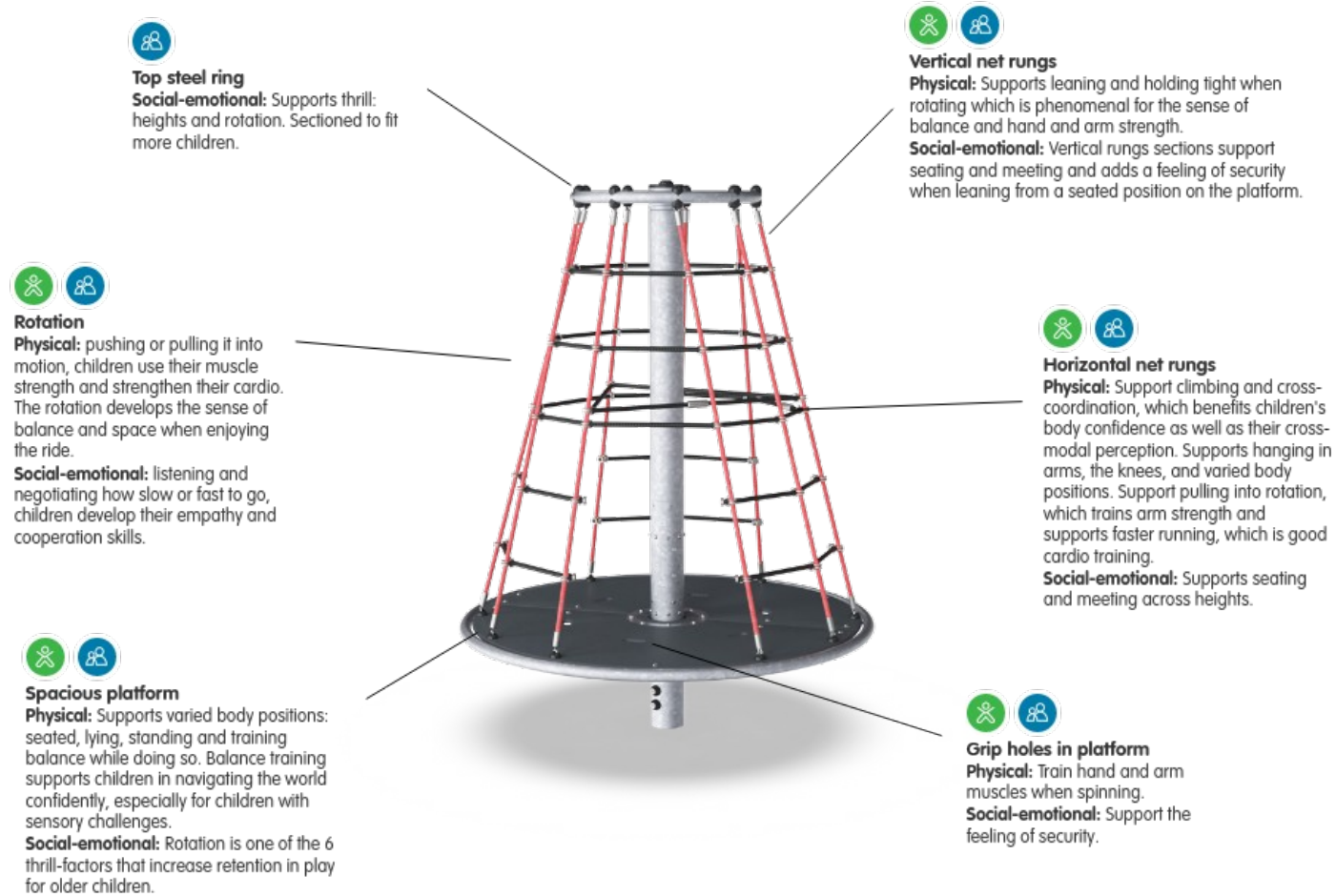
accessing and when holding tight. The height and rotation of the net tick boxes for thrill. This attracts children back for more play again and again. The ropes can be climbed both on the inside and outside, providing great physical training of the children's cross-coordination and muscles. The spacious horizontal rungs invite meeting and exchanging at all heights and

invite perching, which children enjoy. Pulling the Twister into rotation trains muscles and coordination and builds bone density. The teamwork, meeting and turn-taking invited by the Inclusive Twister build empathy and friendships.



Inclusive Twister

COR20330



Inclusive Twister

COR20330



Corocord ropes with 19mm diameter or more are special 'Hercules' - type with galvanised six-stranded steel wires. Each strand is tightly wrapped with PES yarn, which is melted onto each individual strand. The ropes are highly wear-and vandalism-resistant and can be replaced at site if needed.



Corocord 'S' clamps are used as universal connections in Corocord products. 8mm stainless steel rods with rounded edges are pressed around the ropes with a special hydraulic press, making them the ideal connector: safe, durable and vandalism-proof, all while allowing the typical movement of rope play structures.



Heavy duty engineered bearing system with single row deep groove ball bearings with rubber seals. The fully closed bearing construction is lifetime lubricated and maintenance free. The Bearing system has an integrated drag brake according to global safety standards.



All decks are supported by a unique steel construction with multiple deck supports and fixations. The HPL decks with a thickness of 17.8mm have a very high wearing strength and feature a unique KOMPAN non skid surface texture.



The steel posts are hot dip galvanised inside and outside with lead free zinc. The galvanisation has excellent corrosion resistance in outside environments and requires low maintenance.

Item no. COR203301-1101

Installation Information

Max. fall height	223 cm
Safety surfacing area	46.7 m ²
Number of installers	2
Total installation time	5.5
Excavation volume	1.10 m ³
Concrete volume	0.70 m ³
Footing depth (standard)	110 cm
Shipment weight	536 kg
Anchoring options	

Warranty Information

Hot dip galvanised steel	Lifetime
HPL decks	15 years
Corocord rope	10 years
Movable parts	2 years
Spare parts guaranteed	10 years





Cradle to Gate A1-A3	Total CO ₂ emission	CO ₂ e/kg	Recycled materials
	kg CO ₂ e	kg CO ₂ e/kg	%
COR203301-1101	666.80	2.67	36.80

The overall framework applied for these factors is the Environmental Product Declaration (EPD), which quantifies "environmental information on the life cycle of a product and enable comparisons between products fulfilling the same function" (ISO, 2006). This follows the structure and applies a Life-Cycle Assessment approach to the entire Product stage from raw material through manufacturing (A1-A3))

Kompan A/S
 C.F. Tietgens Boulevard 32C
 DK-5220 Odense SØ
 Denmark



Validation of CO₂ calculation of: Corocord



Data version no. 2021-09-27

The CO₂ calculation and data are in compliance with the principles of a carbon footprint impact according to the GHG protocol (Greenhouse Gas Protocol), Scope 3, cradle to gate related to all individual components in the product category: "Corocord" represented by item no.: COR314011-1101.

(Scope 3 emissions include emission sources in the upstream and downstream value chain).

Date: 15. October 2021 | Valid until: 15. October 2023

Validated by:

Bente Hviid, Senior Consultant

Peter Bendtsen, Senior Consultant

Validation based on report: Validation of CO₂ calculation of 8 categories of Kompan product line, version 1.0, prepared by: Bureau Veritas HSE, Denmark: Bente Hviid and Peter Bendtsen.

Publication date: 15. October 2021

By Bureau Veritas HSE
 www.bureauveritas.dk
 +45 7731 1000

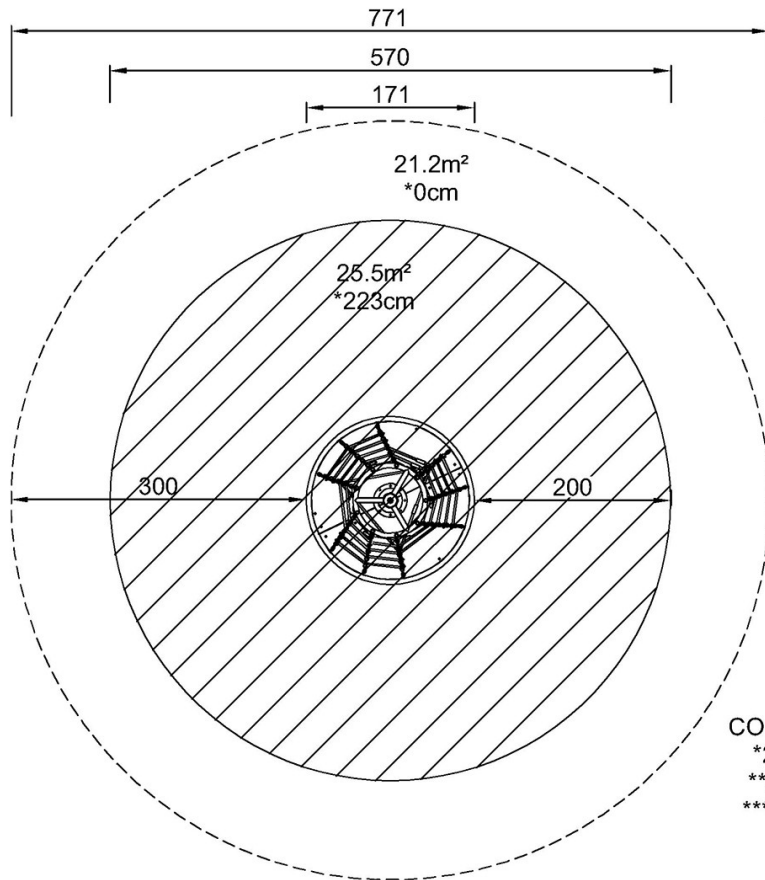


Inclusive Twister

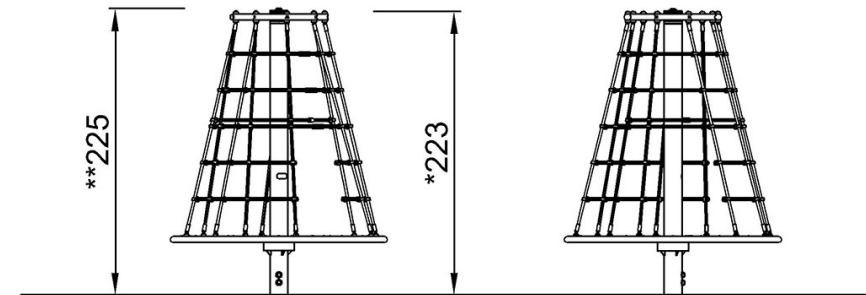
COR20330

* Max fall height | ** Total height | *** Safety surfacing area

* Max fall height | ** Total height



COR203301
*223cm
**225cm
***46.7m²



COR203301

[Click to see TOP VIEW](#)

[Click to see SIDE VIEW](#)