

# Highflier with Roof

PCE205922



Item no. PCE205922-0903	
<b>General Product Information</b>	
Dimensions LxWxH	526x528x403 cm
Age group	2+
Play capacity (users)	18
Colour options	



Wow! The Highflier is a fantastic structure, loaded with play activities. The wide variety of elements will support children's play and encourage longer and richer play times. Children can climb in a variety of ways, and across different surfaces, which is attractive and challenging. The double slide is a rewarding way to return to the ground, that

helps children continue the play along with friends. The megaphone and the specially designed balcony supports active imaginative and make-believe play. The tunnel is a feature that supports crawling movements as well as the development of spatial understanding. Apart from climbing, crawling, and sliding, there are plenty of other opportunities for social play

that will help children to build important social and emotional skills, and will motivate children to play for longer.

# Highflier with Roof

PCE205922



## Megaphone

**Social-emotional:** inspires communication and turn-taking skills.  
**Cognitive:** distortion of sound evokes curiosity and stimulates an understanding of cause and effect.



## Double slide

**Physical:** sliding develops spatial awareness and a sense of balance. Furthermore, the core muscles are trained when sitting upright going down.  
**Social-emotional:** invites socializing, supports parent-child and peer-to-peer play.  
**Cognitive:** young children train their understanding of space, speed and distances when sliding down quickly.



## Tunnel

**Physical:** the children crawl through the tunnel, developing motor skills such as cross-body coordination and proprioception.  
**Social-emotional:** turn-taking when passing each other.



## Climbing net

**Physical:** children develop cross-body coordination and muscle strength when climbing. The big meshes allow for climbing and crawling through, supporting proprioception and spatial awareness.  
**Social-emotional:** the big meshes allow for more children to sit together and talk.



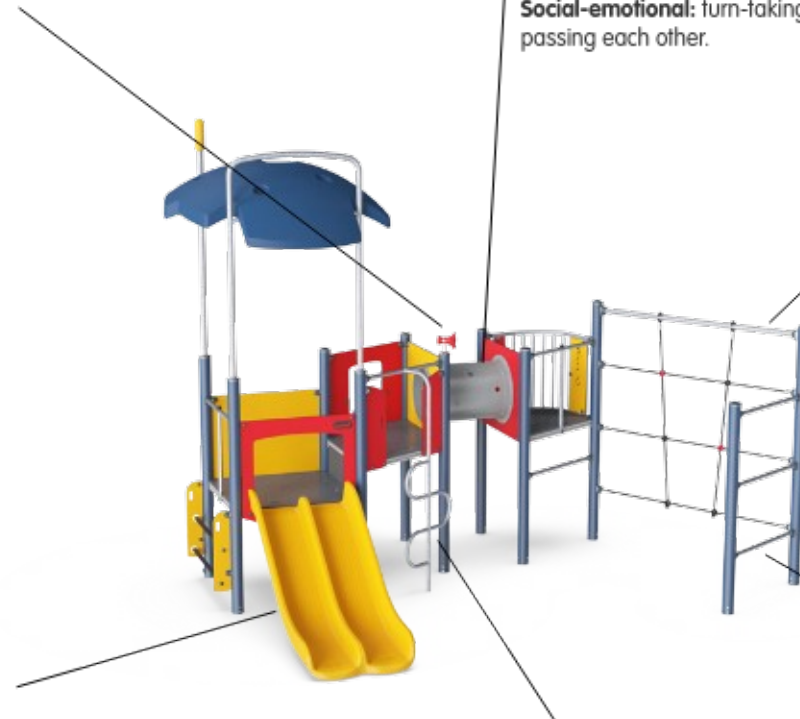
## Pipe ladder

**Physical:** cross coordination and eye-hand coordination are supported when children climb the ladder. The climbing also supports leg and arm muscles.  
**Social-emotional:** learning about turn taking and cooperation.



## Climbing pole

**Physical:** cross coordination and muscle strength are trained.  
**Social-emotional:** turn-taking and cooperation.



# Highflier with Roof

PCE205922



Panels of 19mm EcoCore™. EcoCore™ is a highly durable, eco friendly material, which is not only recyclable after use, but also consists of a core produced from 100% recycled post consumer material from food packing waste.



The ELEMENTS roofs are made of recyclable PE with a minimum wall thickness of 5 mm to ensure high durability in all climates around the world. The steel pipes are hot dip galvanised inside and outside for maximum durability.



Sails of commercial 95 high density PE knitted specially for sun-shade structures. The sails are treated with UV stabilizers to ensure a long life-time. The sails are supported by a hot dip galvanised steel frame and tightened by stainless steel devices.

Item no. PCE205922-0903

### Installation Information

Max. fall height	224 cm
Safety surfacing area	49.1 m <sup>2</sup>
Number of installers	2
Total installation time	21.3
Excavation volume	0.46 m <sup>3</sup>
Concrete volume	0.02 m <sup>3</sup>
Footing depth (standard)	90 cm
Shipment weight	665 kg
Anchoring options	In-ground ✓ Surface ✓

### Warranty Information

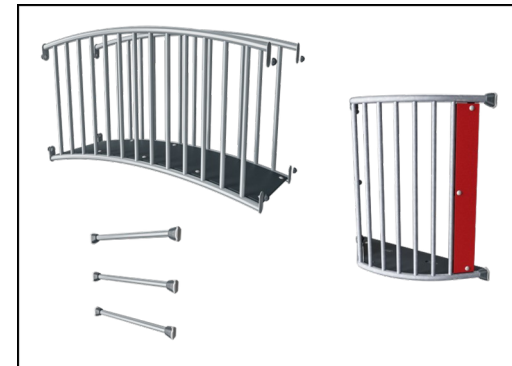
EcoCore HDPE	Lifetime
Post	10 years
PP Decks	10 years
Hollow PE parts	10 years
Spare parts guaranteed	10 years



The main posts are made of high quality pre-galvanized steel with powder coated top finish. Post tops are closed with caps of UV stabilized nylon (PA6). The grey colored molded decks are made of 75% post-consumer ocean waste PP material with a non-skid pattern and texture surface. All decks are supported by unique designed low-carbon aluminum profiles with multiple attachment options.



The slides are available in either moulded PE in different colours or in full stainless steel AISI304 t= 2mm.



The steel surfaces are hot dip galvanised inside and outside with lead free zinc. The galvanisation has excellent corrosion resistance in outside environments and requires low maintenance.

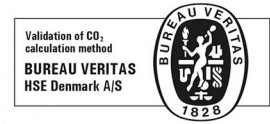




Cradle to Gate A1-A3	Total CO <sub>2</sub> emission	CO <sub>2</sub> e/kg	Recycled materials
	kg CO <sub>2</sub> e	kg CO <sub>2</sub> e/kg	%
PCE205922-0903	1,409.90	2.74	40.80

The overall framework applied for these factors is the Environmental Product Declaration (EPD), which quantifies "environmental information on the life cycle of a product and enable comparisons between products fulfilling the same function" (ISO, 2006). This follows the structure and applies a Life-Cycle Assessment approach to the entire Product stage from raw material through manufacturing (A1-A3))

**Kompan A/S**  
 C.F. Tietgens Boulevard 32C  
 DK-5220 Odense SØ  
 Denmark



### Validation of CO<sub>2</sub> calculation of: Play systems



Data version no. 2021-01-11

The CO<sub>2</sub> calculation and data are in compliance with the principles of a carbon footprint impact according to the GHG protocol (Greenhouse Gas Protocol), Scope 3, cradle to gate related to all individual components in the product category: "Play systems" represented by item no.: PCM200309-0010. (Scope 3 emissions include emission sources in the upstream and downstream value chain).

**Date: 15. October 2021 | Valid until: 15. October 2023**

**Validated by:**

Bente Hviid, Senior Consultant

Peter Bendtsen, Senior Consultant

Validation based on report: Validation of CO<sub>2</sub> calculation of play systems – Kompan, version 1.0, prepared by: Bureau Veritas HSE, Denmark: Bente Hviid and Peter Bendtsen.

**Publication date: 15. October 2021**

**By Bureau Veritas HSE**  
 www.bureauveritas.dk  
 +45 7731 1000

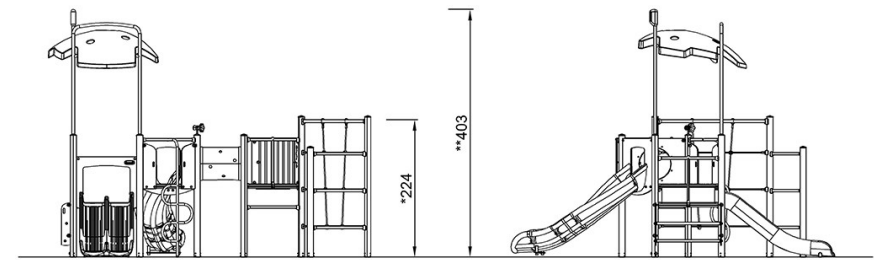
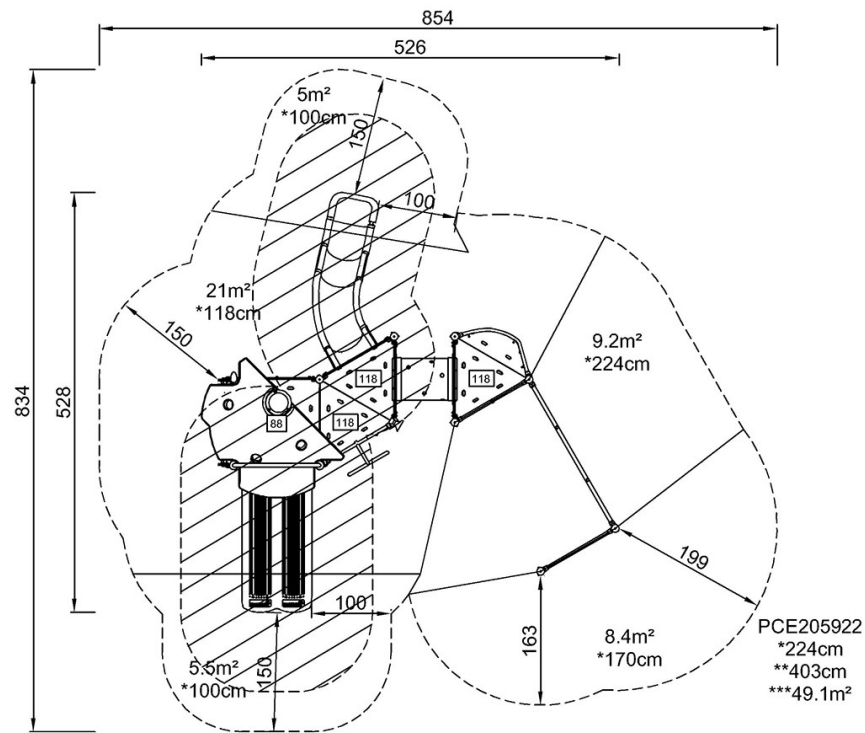


# Highflier with Roof

PCE205922

\* Max fall height | \*\* Total height | \*\*\* Safety surfacing area

\* Max fall height | \*\* Total height



PCE205922

[Click to see TOP VIEW](#)

[Click to see SIDE VIEW](#)