

Multi Deck Play Tower

PCM101721



Item no. PCM101721-0601	
General Product Information	
Dimensions LxWxH	398x220x306 cm
Age group	2+
Play capacity (users)	13
Colour options	● ● ● ●



The Multi Deck Play Tower is very appealing to toddlers. The varied levels and activities make children want to play on it again and again. The different climbing options train cross-coordination, important for cross-modal perception, which helps reading skills. The slide is a stomach-tickling play experience, which also trains the sense of balance,

fundamental for the development of all other motor skills. On the ground, a curious play counter creates a wonderful play space under the platform. The desk features a conveyor belt made of small wheels that add tactile stimulation. The different sized holes and the belt invite explorative and dramatic play, spurring conversations. This scaffolds social-

emotional as well as language development.

Multi Deck Play Tower

PCM101721



Flower panel

Social-emotional: invites cooperation due to the two-sidedness and provides for parallel play.

Cognitive: suggests a theme and supports dramatic play, which stimulates languages and communication skills.



Climbing net

Physical: the inclined net supports the upward climbing movement of the body. Children develop cross-body coordination and muscle strength.

Social-emotional: the inclination makes climbing feel secure, especially for younger children.



Rock climber

Physical: supports cross coordination and leg, arm and hand strength.

Social-emotional: the inclination makes climbing feel secure, especially for younger children.



Balcony

Social-emotional: the balcony invites meetings and interaction with people on ground level.

Cognitive: invites dramatic play and performance, which stimulates language development.



Slide

Physical: sliding develops spatial awareness and a sense of balance. Furthermore, the core muscles are trained when sitting upright going down.

Social-emotional: empathy stimulated by turn-taking.

Cognitive: young children develop their understanding of space, speed and distances when sliding down quickly.



Desk with conveyor belt

Physical: tactile stimulation from running hands over rolling spheres on conveyor belt.

Social-emotional: sharing and cooperation from both sides create a social scenario that supports communication and cooperation.

Cognitive: supports dramatic play scenarios, trains cause and effect understanding.

Multi Deck Play Tower

PCM101721



Panels of 19mm EcoCore™. EcoCore™ is a highly durable, eco friendly material, which is not only recyclable after use, but also consists of a core produced from 100% recycled post consumer material from food packing waste. Wooden panels of impregnated and brown painted pine wood with vertical steel profiles.



Main posts with hot dip galvanized steel footing are available in different materials: Pressure impregnated pine wood posts. Pre-galvanized inside and outside with powder coated top finish steel posts. Lead free aluminum with color anodized top finish. Greenline TexMade posts of 100% post-consumer recycled PE and textile waste.



All decks are supported by unique designed low-carbon aluminum profiles with multiple attachment options. The grey colored molded decks are made of 75% post-consumer ocean waste PP material with a non-skid pattern and texture surface.



Coloured steel components have a base of hot dip galvanisation and a powder coated top finish. This provides an ultimate corrosion resistance in all climates around the world.



The slides can be chosen in different materials and colors: Straight or curved one-piece molded PE slides in yellow or grey color. Combined EcoCore™ sides and stainless-steel. Full stainless steel in one-piece design for more vandalism proof solutions.



KOMPAN GreenLine versions are designed with ultimate environmentally friendly materials with lowest possible CO2e emission factor. TexMade post, EcoCore™ panels of 100% post consumer recycled ocean waste and molded PP decks.

Item no. PCM101721-0601

Installation Information

Max. fall height	118 cm
Safety surfacing area	25.7 m ²
Number of installers	2
Total installation time	14.5
Excavation volume	0.46 m ³
Concrete volume	0.00 m ³
Footing depth (standard)	60 cm
Shipment weight	359 kg
Anchoring options	

Warranty Information

EcoCore HDPE	Lifetime
Post	10 years
PP Decks	10 years
Ropes & nets	10 years
Spare parts guaranteed	10 years

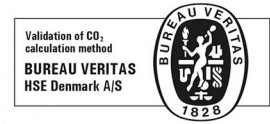




Cradle to Gate A1-A3	Total CO ₂ emission	CO ₂ e/kg	Recycled materials
	kg CO ₂ e	kg CO ₂ e/kg	%
PCM101721-0601	784.90	2.80	42.30
PCM101721-0650	544.90	1.67	65.30

The overall framework applied for these factors is the Environmental Product Declaration (EPD), which quantifies "environmental information on the life cycle of a product and enable comparisons between products fulfilling the same function" (ISO, 2006). This follows the structure and applies a Life-Cycle Assessment approach to the entire Product stage from raw material through manufacturing (A1-A3))

Kompan A/S
 C.F. Tietgens Boulevard 32C
 DK-5220 Odense SØ
 Denmark



Validation of CO₂ calculation of: Play systems



Data version no. 2021-01-11

The CO₂ calculation and data are in compliance with the principles of a carbon footprint impact according to the GHG protocol (Greenhouse Gas Protocol), Scope 3, cradle to gate related to all individual components in the product category: "Play systems" represented by item no.: PCM200309-0010. (Scope 3 emissions include emission sources in the upstream and downstream value chain).

Date: 15. October 2021 | Valid until: 15. October 2023

Validated by:

Bente Hviid, Senior Consultant

Peter Bendtsen, Senior Consultant

Validation based on report: Validation of CO₂ calculation of play systems – Kompan, version 1.0, prepared by: Bureau Veritas HSE, Denmark: Bente Hviid and Peter Bendtsen.

Publication date: 15. October 2021

By Bureau Veritas HSE
 www.bureauveritas.dk
 +45 7731 1000

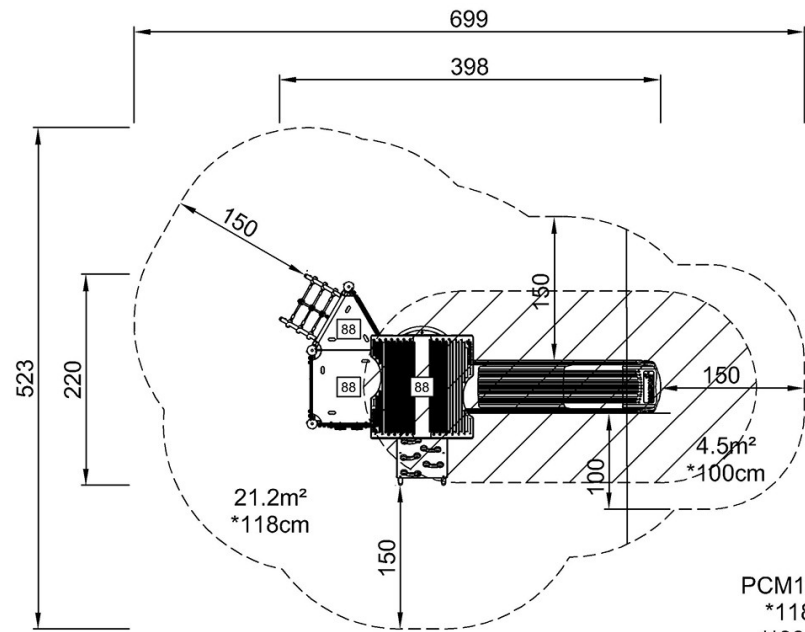


Multi Deck Play Tower

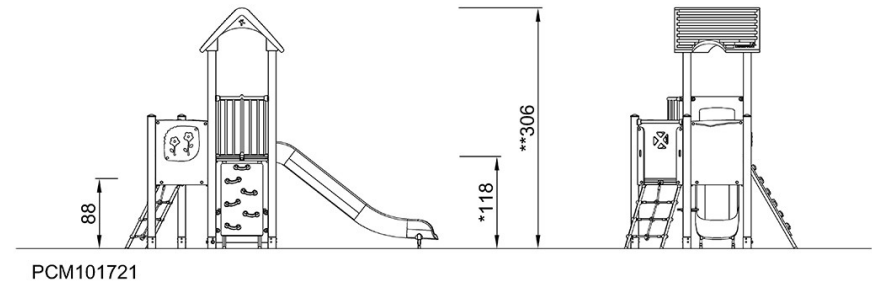
PCM101721

* Max fall height | ** Total height | *** Safety surfacing area

* Max fall height | ** Total height



PCM101721
*118cm
**306cm
**25.7m²



[Click to see TOP VIEW](#)

[Click to see SIDE VIEW](#)