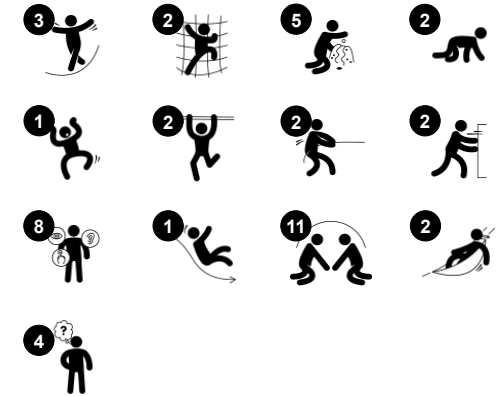


# Four Towers with Tunnel

PCM400221



Item no. PCM400221-0601	
General Product Information	
Dimensions LxWxH	489x325x211 cm
Age group	1+
Play capacity (users)	23
Colour options	



The Four Towers with Tunnel unit offers a playful social-emotional learning as well as physical growth for toddlers. The unit has a rich variety of play activities, encouraging hours of play. The loop of play between the four towers offers graded play challenges for younger and older toddlers. The slide section allows for high-pace, cardio and balance packed looping,

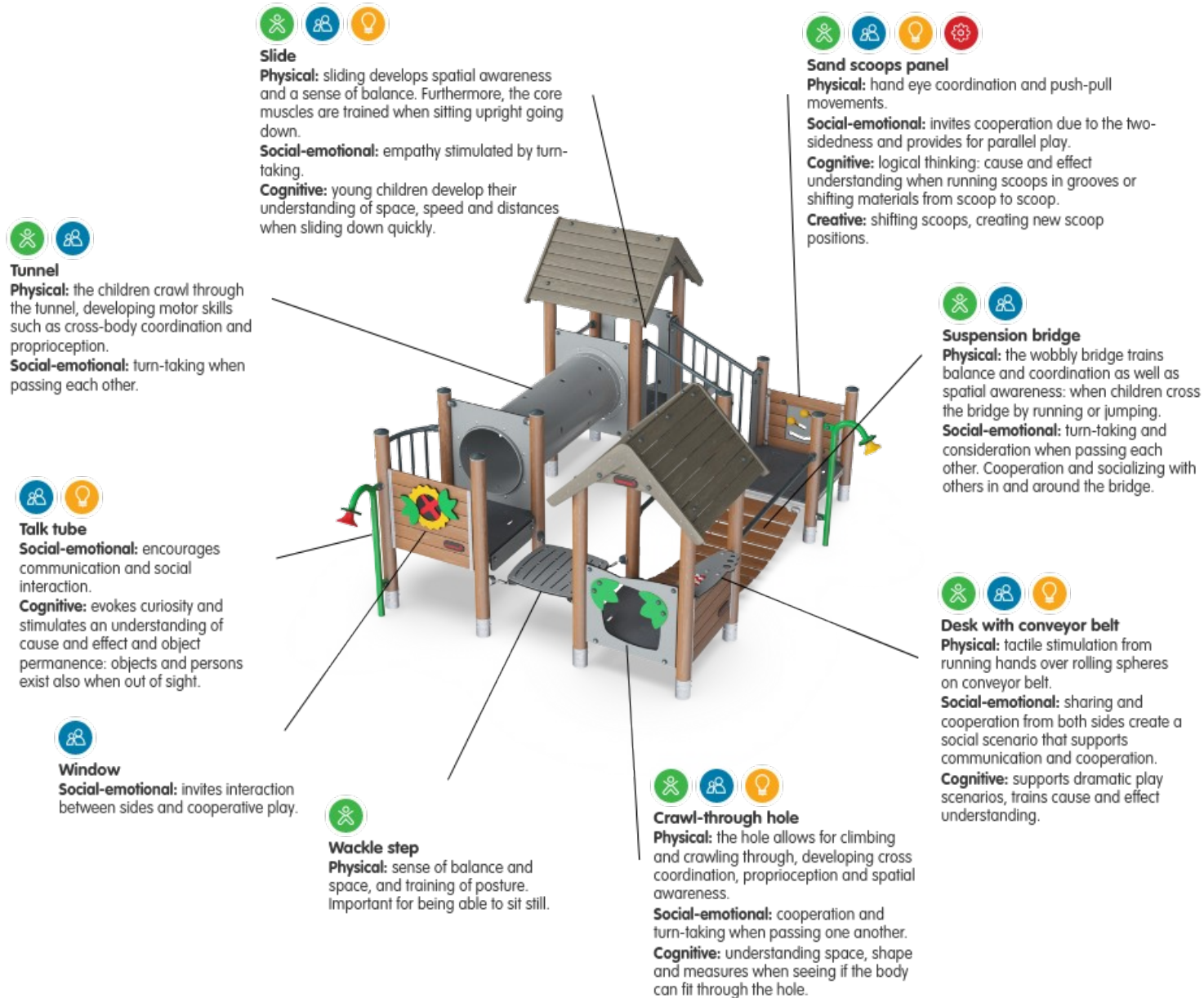
sliding down and then running back around to slide down again. The balancing and wobble bridges invite stomach tickling balance training. The responses from the moving bridges when other children are also on it are excellent unpredictable challenges for balance. The tunnel encourages crawling, which trains cross-coordination and cross-modal perception,

important for reading. The talking tubes, inviting children to communicate from one side of the tower to the other, making friends and socialising whilst improving their literacy skills.



# Four Towers with Tunnel

PCM400221



## Slide

**Physical:** sliding develops spatial awareness and a sense of balance. Furthermore, the core muscles are trained when sitting upright going down.

**Social-emotional:** empathy stimulated by turn-taking.

**Cognitive:** young children develop their understanding of space, speed and distances when sliding down quickly.



## Tunnel

**Physical:** the children crawl through the tunnel, developing motor skills such as cross-body coordination and proprioception.

**Social-emotional:** turn-taking when passing each other.



## Talk tube

**Social-emotional:** encourages communication and social interaction.

**Cognitive:** evokes curiosity and stimulates an understanding of cause and effect and object permanence: objects and persons exist also when out of sight.



## Window

**Social-emotional:** invites interaction between sides and cooperative play.



## Wobble step

**Physical:** sense of balance and space, and training of posture. Important for being able to sit still.



## Sand scoops panel

**Physical:** hand eye coordination and push-pull movements.

**Social-emotional:** invites cooperation due to the two-sidedness and provides for parallel play.

**Cognitive:** logical thinking: cause and effect understanding when running scoops in grooves or shifting materials from scoop to scoop.

**Creative:** shifting scoops, creating new scoop positions.



## Suspension bridge

**Physical:** the wobbly bridge trains balance and coordination as well as spatial awareness: when children cross the bridge by running or jumping.

**Social-emotional:** turn-taking and consideration when passing each other. Cooperation and socializing with others in and around the bridge.



## Desk with conveyor belt

**Physical:** tactile stimulation from running hands over rolling spheres on conveyor belt.

**Social-emotional:** sharing and cooperation from both sides create a social scenario that supports communication and cooperation.

**Cognitive:** supports dramatic play scenarios, trains cause and effect understanding.



## Crawl-through hole

**Physical:** the hole allows for climbing and crawling through, developing cross coordination, proprioception and spatial awareness.

**Social-emotional:** cooperation and turn-taking when passing one another.

**Cognitive:** understanding space, shape and measures when seeing if the body can fit through the hole.

# Four Towers with Tunnel

PCM400221



Panels of 19mm EcoCore™. EcoCore™ is a highly durable, eco friendly material, which is not only recyclable after use, but also consists of a core produced from 100% recycled post consumer material from food packing waste. Wooden panels of impregnated and brown painted pine wood with vertical steel profiles.



Main posts with hot dip galvanized steel footing are available in different materials: Pressure impregnated pine wood posts. Pre-galvanized inside and outside with powder coated top finish steel posts. Lead free aluminum with color anodized top finish. Greenline TexMade posts of 100% post-consumer recycled PE and textile waste.



All decks are supported by unique designed low-carbon aluminum profiles with multiple attachment options. The grey colored molded decks are made of 75% post-consumer ocean waste PP material with a non-skid pattern and texture surface.



Coloured steel components have a base of hot dip galvanisation and a powder coated top finish. This provides an ultimate corrosion resistance in all climates around the world.



The slides can be chosen in different materials and colors: Straight or curved one-piece molded PE slides in yellow or grey color. Combined EcoCore™ sides and stainless-steel. Full stainless steel in one-piece design for more vandalism proof solutions.



KOMPAN GreenLine versions are designed with ultimate environmentally friendly materials with lowest possible CO2e emission factor. TexMade post, EcoCore™ panels of 100% post consumer recycled ocean waste and molded PP decks.

Item no. PCM400221-0601

### Installation Information

Max. fall height	100 cm
Safety surfacing area	35.7 m <sup>2</sup>
Number of installers	2
Total installation time	22.3
Excavation volume	0.60 m <sup>3</sup>
Concrete volume	0.00 m <sup>3</sup>
Footing depth (standard)	60 cm
Shipment weight	589 kg
Anchoring options	

### Warranty Information

EcoCore HDPE	Lifetime
Post	10 years
PP Decks	10 years
Spare parts guaranteed	10 years





Cradle to Gate A1-A3	Total CO <sub>2</sub> emission	CO <sub>2</sub> e/kg	Recycled materials
	kg CO <sub>2</sub> e	kg CO <sub>2</sub> e/kg	%
<b>PCM400221-0601</b>	1,266.20	2.77	40.10
<b>PCM400221-0650</b>	901.90	1.73	61.00

The overall framework applied for these factors is the Environmental Product Declaration (EPD), which quantifies "environmental information on the life cycle of a product and enable comparisons between products fulfilling the same function" (ISO, 2006). This follows the structure and applies a Life-Cycle Assessment approach to the entire Product stage from raw material through manufacturing (A1-A3))

**Kompan A/S**  
 C.F. Tietgens Boulevard 32C  
 DK-5220 Odense SØ  
 Denmark



### Validation of CO<sub>2</sub> calculation of: Play systems



Data version no. 2021-01-11

The CO<sub>2</sub> calculation and data are in compliance with the principles of a carbon footprint impact according to the GHG protocol (Greenhouse Gas Protocol), Scope 3, cradle to gate related to all individual components in the product category: "Play systems" represented by item no.: PCM200309-0010. (Scope 3 emissions include emission sources in the upstream and downstream value chain).

**Date: 15. October 2021 | Valid until: 15. October 2023**

**Validated by:**

Bente Hviid, Senior Consultant

Peter Bendtsen, Senior Consultant

Validation based on report: Validation of CO<sub>2</sub> calculation of play systems – Kompan, version 1.0, prepared by: Bureau Veritas HSE, Denmark: Bente Hviid and Peter Bendtsen.

**Publication date: 15. October 2021**

**By Bureau Veritas HSE**  
 www.bureauveritas.dk  
 +45 7731 1000

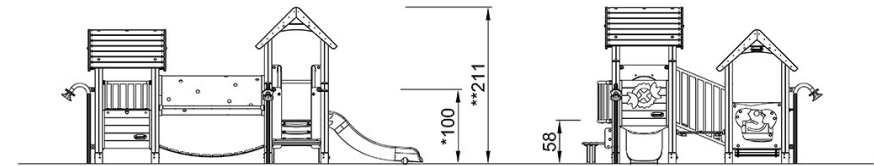
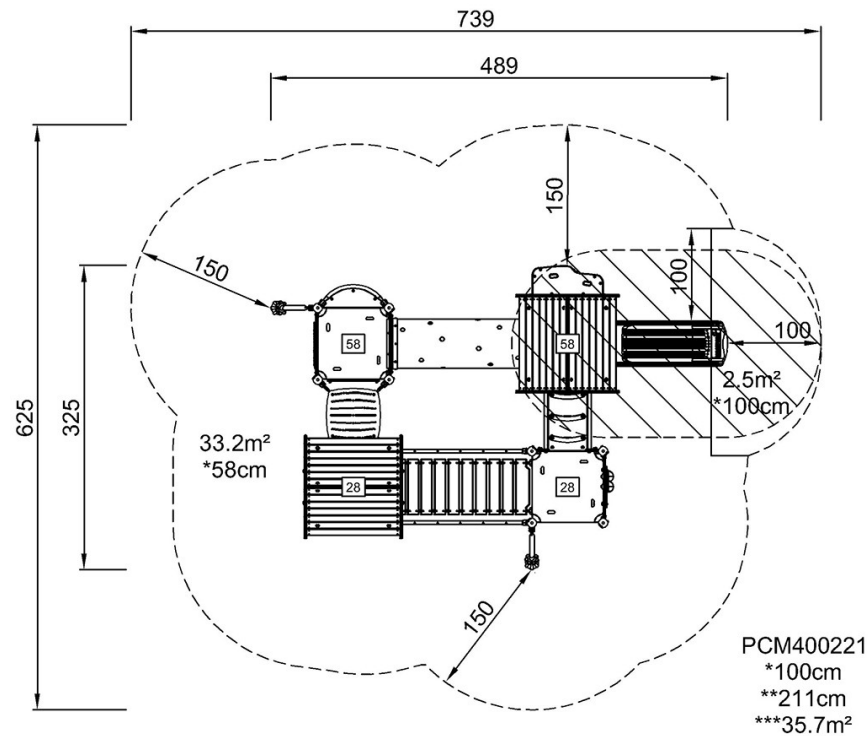


# Four Towers with Tunnel

PCM400221

\* Max fall height | \*\* Total height | \*\*\* Safety surfacing area

\* Max fall height | \*\* Total height



PCM400221

[Click to see TOP VIEW](#)

[Click to see SIDE VIEW](#)