

Double Tower with Slides

PCM200321

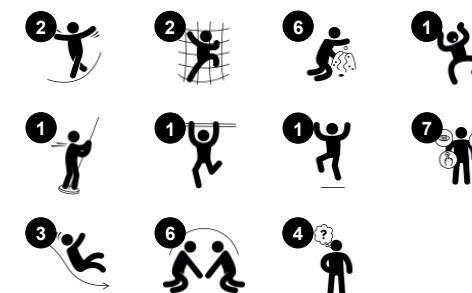
KOMPAN
Let's play



Item no. PCM200321-0901

General Product Information

Dimensions LxWxH	458x441x251 cm
Age group	2+
Play capacity (users)	20
Colour options	



This fantastic play structure will inspire young children to play actively, using their muscles to climb to the top and slide or glide to the ground and then loop around to start again. The net climber provides an age-appropriate challenge to strengthen muscles and help develop cross-coordination skills, which support children's development across developmental domains.

For example, strengthening physical cross-coordination skills enhances children's abilities to use both sides of their brain, and supports the internal structures that enable reading and thinking. The sturdy desk on the side of the structure is a great place for meeting and interacting. With space for several children to play cooperatively, the structure supports social

skills, which are essential in the early years. The slides and pole support posture and balance, all important skills for young children as they grow, and great fun that will attract children and keep their interest in active physical play.



Double Tower with Slides

PCM200321



Inclined play bridge

Physical: balance and spatial awareness are trained when walking or running up and down the bridge, changing levels.

Social-emotional: play spheres and holes in panels invite cooperation with children on the outside. The play spheres also stimulate parallel play.

Cognitive: discovering and understanding spatial changes in height.

Creative: leave a mark and place the spheres at different positions



Double slide

Physical: sliding develops spatial awareness and a sense of balance. Furthermore, the core muscles are trained when sitting upright going down.

Social-emotional: invites socializing, supports parent-child and peer-to-peer play.

Cognitive: young children train their understanding of space, speed and distances when sliding down quickly.



Climbing net

Physical: due to the inclination of the net, the child is supported in climbing. Hand-eye coordination, cross coordination and proprioception are trained. These are fundamental for judging the body in time and space, crucial life skills for navigating the world securely.



Megaphone

Social-emotional: inspires communication and turn-taking skills.

Cognitive: distortion of sound evokes curiosity and stimulates an understanding of cause and effect.



Fireman's pole

Physical: coordination is supported when going down, as well as arm and core muscles. Landing strengthens bone density, which is built for life in early childhood.

Social-emotional: turn-taking and risk-taking.

Cognitive: young children develop their understanding of space, speed and distances when gliding down fast.



Pipe ladder

Physical: cross coordination and eye-hand coordination are supported when children climb the ladder. The climbing also supports leg and arm muscles.

Social-emotional: learning about turn taking and cooperation.



Desk

Social-emotional: fine meeting place and a space creator. Sharing and cooperation from both sides create a social scenario that supports communication and cooperation.



Slide

Physical: sliding develops spatial awareness and a sense of balance. Furthermore, the core muscles are trained when sitting upright going down.

Social-emotional: empathy stimulated by turn-taking.

Cognitive: young children develop their understanding of space, speed and distances when sliding down quickly.



Double Tower with Slides

PCM200321



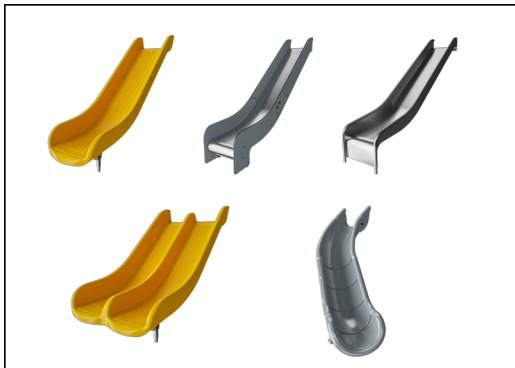
Panels of 19mm EcoCore™. EcoCore™ is a highly durable, eco friendly material, which is not only recyclable after use, but also consists of a core produced from 100% recycled post consumer material from food packing waste.



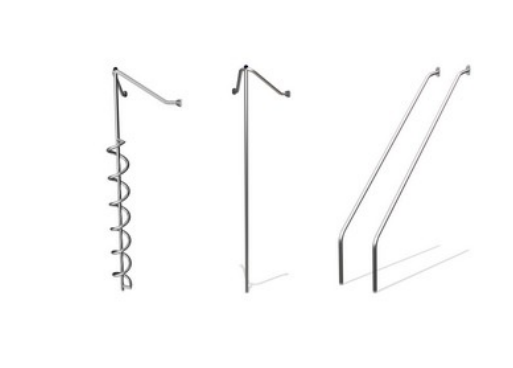
Main posts with hot dip galvanized steel footing are available in different materials: Pressure impregnated pine wood posts. Pre-galvanized inside and outside with powder coated top finish steel posts. Lead free aluminum with color anodized top finish. Greenline TexMade posts of 100% post-consumer recycled PE and textile waste.



All decks are supported by unique designed low-carbon aluminum profiles with multiple attachment options. The grey colored molded decks are made of 75% post-consumer ocean waste PP material with a non-skid pattern and texture surface.



The slides can be chosen in different materials and colors: Straight or curved one-piece molded PE slides in yellow or grey color. Combined EcoCore™ sides and stainless-steel. Full stainless steel in one-piece design for more vandalism proof solutions.



The steel surfaces are hot dip galvanised inside and outside with lead free zinc. The galvanisation has excellent corrosion resistance in outside environments and requires low maintenance.



KOMPAN GreenLine versions are designed with ultimate environmentally friendly materials with lowest possible CO2e emission factor. TexMade post, EcoCore™ panels of 100% post consumer recycled ocean waste and molded PP decks.

Item no. PCM200321-0901

Installation Information

Max. fall height	118 cm
Safety surfacing area	42.1 m ²
Number of installers	2
Total installation time	20.2
Excavation volume	0.65 m ³
Concrete volume	0.00 m ³
Footing depth (standard)	85 cm
Shipment weight	630 kg
Anchoring options	

Warranty Information

EcoCore HDPE	Lifetime
Post	10 years
PP Decks	10 years
Ropes & nets	10 years
Spare parts guaranteed	10 years

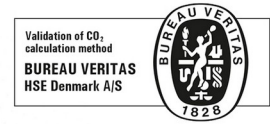




Cradle to Gate A1-A3	Total CO ₂ emission	CO ₂ e/kg	Recycled materials
	kg CO ₂ e	kg CO ₂ e/kg	%
PCM200321-0901	1,199.10	2.46	49.40
PCM200321-0950	869.20	1.60	66.70

The overall framework applied for these factors is the Environmental Product Declaration (EPD), which quantifies "environmental information on the life cycle of a product and enable comparisons between products fulfilling the same function" (ISO, 2006). This follows the structure and applies a Life-Cycle Assessment approach to the entire Product stage from raw material through manufacturing (A1-A3))

Kompan A/S
 C.F. Tietgens Boulevard 32C
 DK-5220 Odense SØ
 Denmark



Validation of CO₂ calculation of: Play systems



Data version no. 2021-01-11

The CO₂ calculation and data are in compliance with the principles of a carbon footprint impact according to the GHG protocol (Greenhouse Gas Protocol), Scope 3, cradle to gate related to all individual components in the product category: "Play systems" represented by item no.: PCM200309-0010. (Scope 3 emissions include emission sources in the upstream and downstream value chain).

Date: 15. October 2021 | Valid until: 15. October 2023

Validated by:

Bente Hviid, Senior Consultant

Peter Bendtsen, Senior Consultant

Validation based on report: Validation of CO₂ calculation of play systems – Kompan, version 1.0, prepared by: Bureau Veritas HSE, Denmark: Bente Hviid and Peter Bendtsen.

Publication date: 15. October 2021

By Bureau Veritas HSE
 www.bureauveritas.dk
 +45 7731 1000

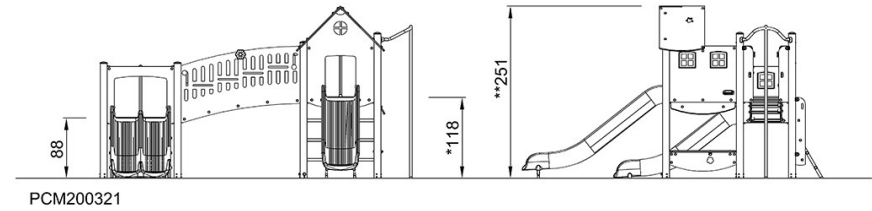
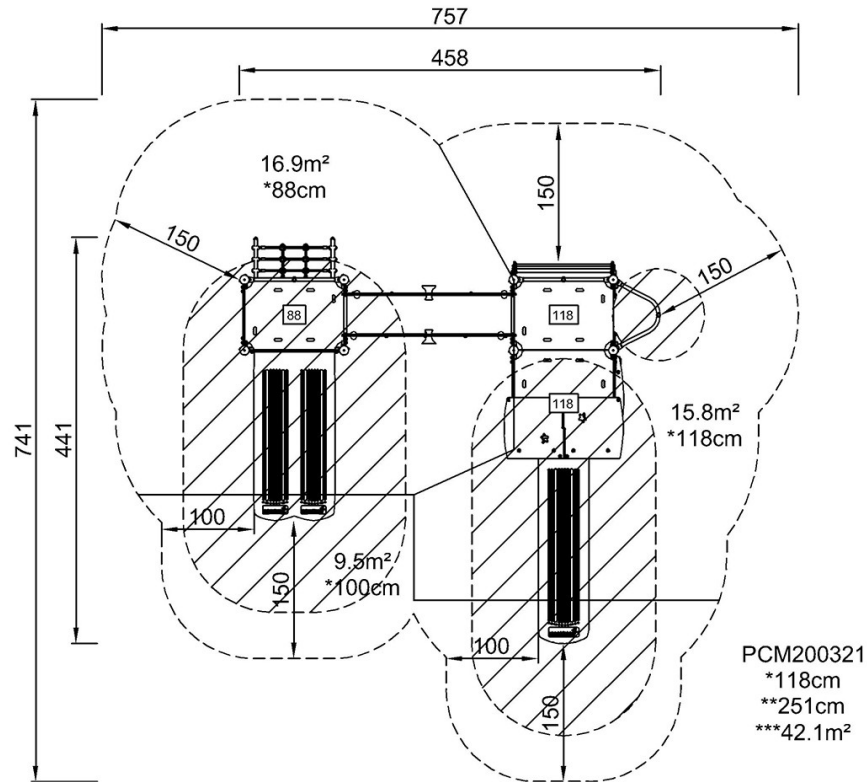


Double Tower with Slides

PCM200321

* Max fall height | ** Total height | *** Safety surfacing area

* Max fall height | ** Total height



[Click to see TOP VIEW](#)

[Click to see SIDE VIEW](#)