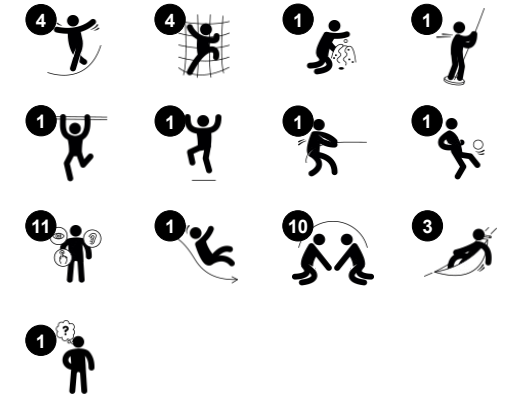


# Two Tower with Wackle

PCM211721



| Item no. PCM211721-0901     |                |
|-----------------------------|----------------|
| General Product Information |                |
| Dimensions LxWxH            | 860x341x412 cm |
| Age group                   | 4+             |
| Play capacity (users)       | 23             |
| Colour options              |                |



WOW! The amount of play value in the Double Tower and wobbly bridge appeals strongly to play again and again. The graded play events offer rich physical and social play opportunities. The wobbly bridge is an exciting challenge where children can balance and mildly sway their way over. This trains the senses of balance and space, which are fundamental in

confidently and securely mastering the body in the world. The wild banister bars are so much fun, and they build up an understanding of speed and distances that will be helpful in street traffic. Under the platforms, nice benches and a swaying hammock offer great meeting points. The timer panel additionally adds a possibility to cooperate and take turns. All in all,

a great climb, balance, slide, glide and meeting play unit.

# Two Tower with Wackle

PCM211721



## Banister bars

**Physical:** coordination is supported when going down, as well as arm and core muscles. Landing strengthens bone density, which is built for life in childhood.

**Social-emotional:** turn-taking and risk-taking.



## Wackle bridge

**Physical:** sense of balance and space, and training of posture. Important for being able to sit still.

**Social-emotional:** cooperation, turn-taking and friendly competition on the plates.



## Timer

**Social-emotional:** teams can each have a button to measure rounds, wins etc. The buttons support cooperation and teamwork.

**Cognitive:** counting and registering support thinking skills such as logical thinking and sequencing.

**Creative:** children can leave their mark, placing the timer in different positions.



## Slide

**Physical:** sliding develops spatial awareness and a sense of balance. Furthermore, the core muscles are trained when sitting upright going down.

**Social-emotional:** empathy stimulated by turn-taking.

**Cognitive:** young children develop their understanding of space, speed and distances when sliding down.



## Hammock

**Physical:** coordination and sense of balance when swaying.

**Social-emotional:** meeting, pushing friends gently back and forth, turn-taking.

**Cognitive:** for toddlers cause and effect understanding.



## Tower net

**Physical:** the children have a fast access up the horizontal rungs, and a slower climb up the sloping rungs. The net can be climbed from both sides, levelling the challenge of accessing the platform. Cross coordination and sense of space is supported, as well as arm and leg muscles.

**Social-emotional:** the two-sided net allows for social interaction. The spaciousness invites socializing.

**Cognitive:** logical thinking and planning when planning how best to enter the platform from the net.



## Bench

**Social-emotional:** invites socializing and cooperation. Allows for a break with friends.



## Pipe ladder

**Physical:** cross coordination and eye-hand coordination are supported when children climb the ladder. The climbing also supports leg and arm muscles.

**Social-emotional:** learning about turn taking and cooperation.



## Rapella

**Physical:** supports cross coordination, proprioception and sense of space. Leg and core muscles are used intensely. Upper body muscles are developed when children pull themselves upwards in the rope.

**Social-emotional:** turn-taking and



# Two Tower with Wackle

PCM211721



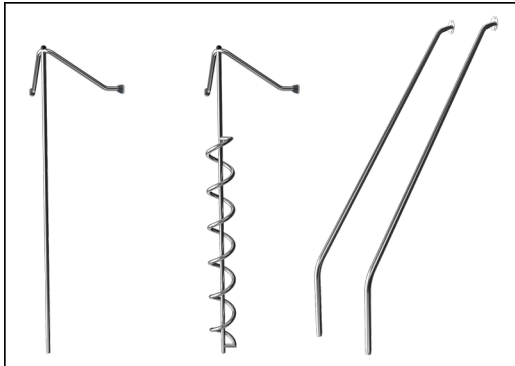
Panels of 19mm EcoCore™. EcoCore™ is a highly durable, eco friendly material, which is not only recyclable after use, but also consists of a core produced from 100% recycled post consumer material from food packing waste.



All decks are supported by unique designed low-carbon aluminum profiles with multiple attachment options. The grey colored molded decks are made of 75% post-consumer ocean waste PP material with a non-skid pattern and texture surface.



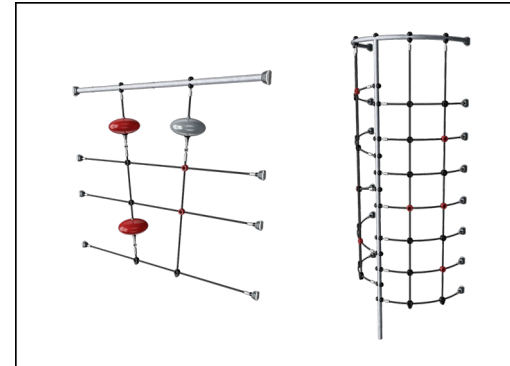
Main posts with hot dip galvanized steel footing are available in different materials: Pressure impregnated pine wood posts. Pre-galvanized inside and outside with powder coated top finish steel posts. Lead free aluminum with color anodized top finish or pressure impregnated pine wood posts.



The stainless-steel activities are made of high-quality stainless steel. The steel is cleaned by a total pickling process after manufacturing to ensure a smooth and clean gliding surfaces.



The slides can be chosen in different materials and colors: Straight or curved one-piece molded PE slides in yellow or grey color. Combined EcoCore™ sides and stainless-steel. Full stainless steel in one-piece design for more vandalism proof solutions.



Ropes are made of UV-stabilized PES rope strands with inner steel cable reinforcement. The polyester wrapping is inductively melted onto each strand to obtain excellent wear and tear resistance.

Item no. PCM211721-0901

### Installation Information

|                          |                     |
|--------------------------|---------------------|
| Max. fall height         | 276 cm              |
| Safety surfacing area    | 56.7 m <sup>2</sup> |
| Number of installers     | 2                   |
| Total installation time  | 23.5                |
| Excavation volume        | 0.67 m <sup>3</sup> |
| Concrete volume          | 0.09 m <sup>3</sup> |
| Footing depth (standard) | 85 cm               |
| Shipment weight          | 830 kg              |
| Anchoring options        |                     |

### Warranty Information

|                        |          |
|------------------------|----------|
| EcoCore HDPE           | Lifetime |
| PP Decks               | 10 years |
| Post                   | 10 years |
| Ropes & nets           | 10 years |
| Spare parts guaranteed | 10 years |





| Cradle to Gate A1-A3  | Total CO <sub>2</sub> emission | CO <sub>2</sub> e/kg    | Recycled materials |
|-----------------------|--------------------------------|-------------------------|--------------------|
|                       | kg CO <sub>2</sub> e           | kg CO <sub>2</sub> e/kg | %                  |
| <b>PCM211721-0901</b> | 1,825.10                       | 2.88                    | 47.50              |

The overall framework applied for these factors is the Environmental Product Declaration (EPD), which quantifies "environmental information on the life cycle of a product and enable comparisons between products fulfilling the same function" (ISO, 2006). This follows the structure and applies a Life-Cycle Assessment approach to the entire Product stage from raw material through manufacturing (A1-A3))

**Kompan A/S**  
 C.F. Tietgens Boulevard 32C  
 DK-5220 Odense SØ  
 Denmark



### Validation of CO<sub>2</sub> calculation of: Play systems



Data version no. 2021-01-11

The CO<sub>2</sub> calculation and data are in compliance with the principles of a carbon footprint impact according to the GHG protocol (Greenhouse Gas Protocol), Scope 3, cradle to gate related to all individual components in the product category: "Play systems" represented by item no.: PCM200309-0010. (Scope 3 emissions include emission sources in the upstream and downstream value chain).

**Date: 15. October 2021 | Valid until: 15. October 2023**

**Validated by:**

Bente Hviid, Senior Consultant

Peter Bendtsen, Senior Consultant

Validation based on report: Validation of CO<sub>2</sub> calculation of play systems – Kompan, version 1.0, prepared by: Bureau Veritas HSE, Denmark: Bente Hviid and Peter Bendtsen.

**Publication date: 15. October 2021**

**By Bureau Veritas HSE**  
 www.bureauveritas.dk  
 +45 7731 1000

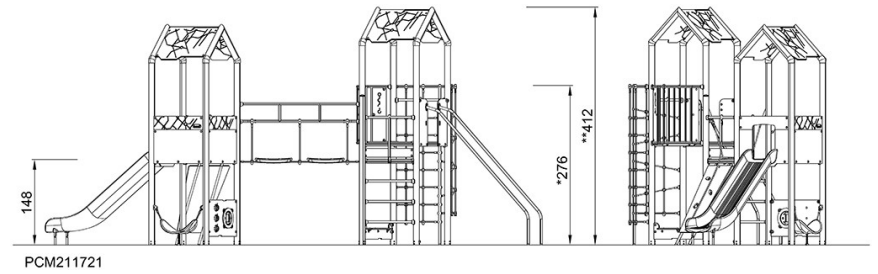
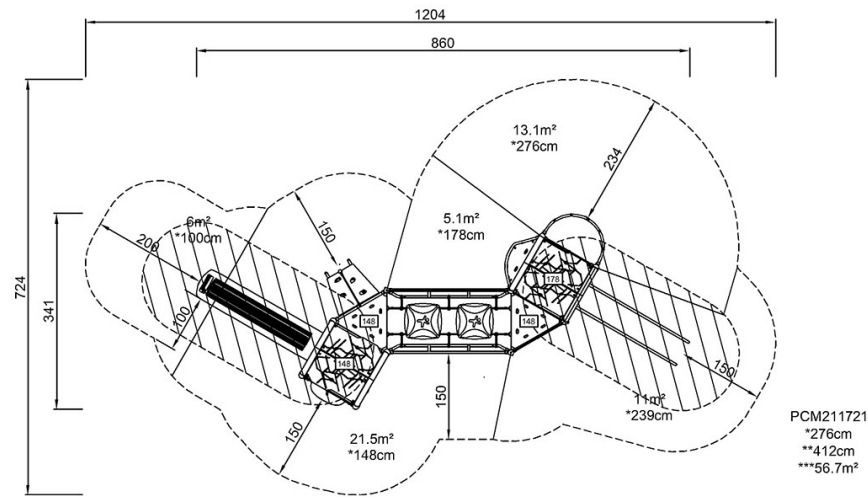


# Two Tower with Wackle

PCM211721

\* Max fall height | \*\* Total height | \*\*\* Safety surfacing area

\* Max fall height | \*\* Total height



[Click to see TOP VIEW](#)

[Click to see SIDE VIEW](#)