

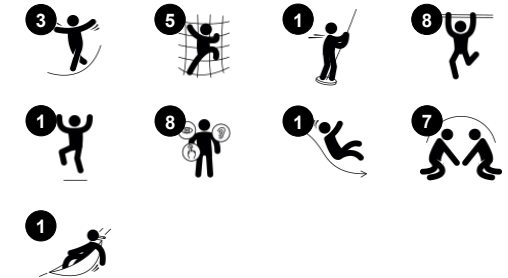
Four Tower with Bridges

PCM410421

Item no. PCM410421-0901

General Product Information

Dimensions LxWxH	428x669x380 cm
Age group	4+
Play capacity (users)	26
Colour options	



The four tower play universe is a magnet for climbing, balancing and rough-and-tumble play, its transparency and play variation is a haven for older children. The transparency makes it possible to see all the other children playing, stimulating social interaction and positive competition making play last for longer. The longer children are playing new games are

created such as, do-not-touch-the-ground meaning children test out a wide scope of physical competences and social skills. The variety of nets and balance links challenge children's agility, balance and cross-coordination whilst allowing for more children to play together in groups. There are varied entry points to the tower, from the fast access stairs

and climbing wall to the inclined crawling access, ensures the tower is suitable for a variety of ages and user abilities.

Four Tower with Bridges

PCM410421



Slide

Physical: sliding develops spatial awareness and a sense of balance. Furthermore, the core muscles are trained when sitting upright going down.

Social-emotional: empathy stimulated by turn-taking.



Plank bridge

Physical: balancing across the plank develops the vestibular system as well as cross coordination.

Social-emotional: passing other children takes co-operation and teaches children turn-taking skills.



Fireman's pole

Physical: coordination is supported when going down, as well as arm and core muscles. Landing strengthens bone density, which is built for life in early childhood.

Social-emotional: turn-taking and risk-taking.

Cognitive: young children develop their understanding of space, speed and distances when gliding down fast.



Rapella

Physical: supports cross coordination, proprioception and sense of space. Leg and core muscles are used intensely. Upper body muscles are developed when children pull themselves upwards in the rope.

Social-emotional: turn-taking and self-regulation, both important life skills.



Climbing wall

Physical: climbing here develops cross coordination, which supports cross-modal perception, necessary for other skills such as reading.



Climbing net

Physical: children develop cross-body coordination and muscle strength. The asymmetry of the net challenges the children's climbing and crawling through.

Social-emotional: the big meshes allow for more children seated together, sharing.

Four Tower with Bridges

PCM410421



Panels of 19mm EcoCore™. EcoCore™ is a highly durable, eco friendly material, which is not only recyclable after use, but also consists of a core produced from 100% recycled post consumer material from food packing waste.



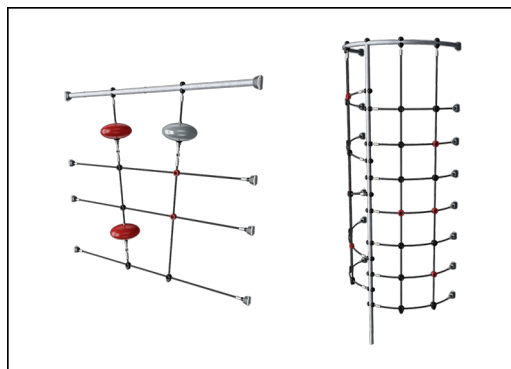
All decks are supported by unique designed low-carbon aluminum profiles with multiple attachment options. The grey colored molded decks are made of 75% post-consumer ocean waste PP material with a non-skid pattern and texture surface.



Main posts with hot dip galvanized steel footing are available in different materials: Pressure impregnated pine wood posts. Pre-galvanized inside and outside with powder coated top finish steel posts. Lead free aluminum with color anodized top finish or pressure impregnated pine wood posts.



The stainless-steel activities are made of high-quality stainless steel. The steel is cleaned by a total pickling process after manufacturing to ensure a smooth and clean gliding surfaces.



Ropes are made of UV-stabilized PES rope strands with inner steel cable reinforcement. The polyester wrapping is inductively melted onto each strand to obtain excellent wear and tear resistance.



KOMPAN GreenLine versions are designed with ultimate environmentally friendly materials with lowest possible CO2e emission factor. TexMade post, EcoCore™ panels of 100% post consumer recycled ocean waste and molded PP decks.

Item no. PCM410421-0901

Installation Information

Max. fall height	224 cm
Safety surfacing area	55.2 m ²
Number of installers	2
Total installation time	23.9
Excavation volume	0.67 m ³
Concrete volume	0.05 m ³
Footing depth (standard)	85 cm
Shipment weight	796 kg
Anchoring options	In-ground ✓ Surface ✓

Warranty Information

EcoCore HDPE	Lifetime
PP Decks	10 years
Post	10 years
Ropes & nets	10 years
Spare parts guaranteed	10 years





Cradle to Gate A1-A3	Total CO ₂ emission	CO ₂ e/kg	Recycled materials
	kg CO ₂ e	kg CO ₂ e/kg	%
PCM410421-0901	1,946.70	3.22	44.20
PCM410421-0950	1,396.00	1.83	70.10

The overall framework applied for these factors is the Environmental Product Declaration (EPD), which quantifies "environmental information on the life cycle of a product and enable comparisons between products fulfilling the same function" (ISO, 2006). This follows the structure and applies a Life-Cycle Assessment approach to the entire Product stage from raw material through manufacturing (A1-A3))

Kompan A/S
 C.F. Tietgens Boulevard 32C
 DK-5220 Odense SØ
 Denmark



Validation of CO₂ calculation of: Play systems



Data version no. 2021-01-11

The CO₂ calculation and data are in compliance with the principles of a carbon footprint impact according to the GHG protocol (Greenhouse Gas Protocol), Scope 3, cradle to gate related to all individual components in the product category: "Play systems" represented by item no.: PCM200309-0010. (Scope 3 emissions include emission sources in the upstream and downstream value chain).

Date: 15. October 2021 | Valid until: 15. October 2023

Validated by:

Bente Hviid, Senior Consultant

Peter Bendtsen, Senior Consultant

Validation based on report: Validation of CO₂ calculation of play systems – Kompan, version 1.0, prepared by: Bureau Veritas HSE, Denmark: Bente Hviid and Peter Bendtsen.

Publication date: 15. October 2021

By Bureau Veritas HSE
 www.bureauveritas.dk
 +45 7731 1000

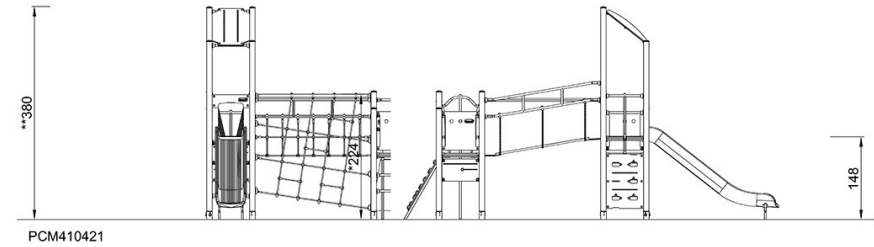
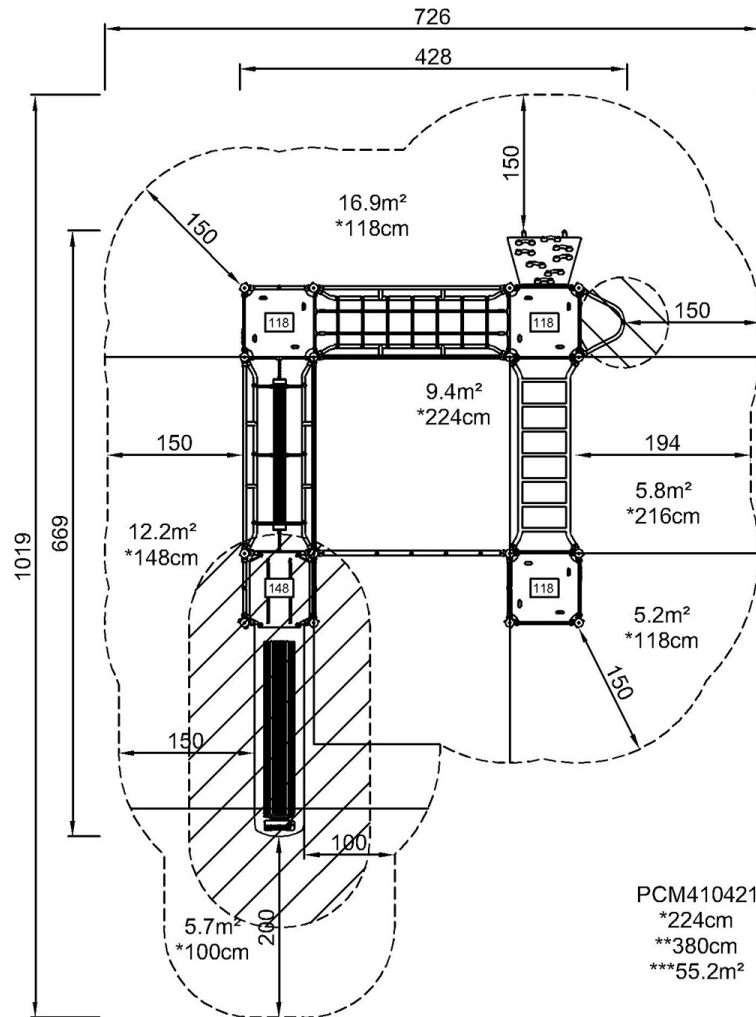


Four Tower with Bridges

PCM410421

* Max fall height | ** Total height | *** Safety surfacing area

* Max fall height | ** Total height



[Click to see TOP VIEW](#)

[Click to see SIDE VIEW](#)