

## Product technical sheet

# ARENA 2431

### Product data

Length	190 cm
Width	120 cm
Total height	380 cm
Age group	3+ years
In accordance with norm EN	15312:2007+A1:2010
Weight of the heaviest part	45 kg
Dimensions of the largest part	400 cm
Availability of spare parts	YES

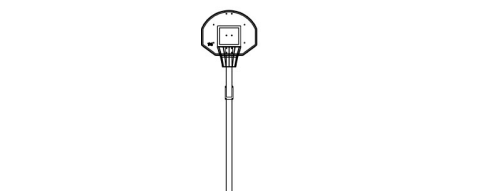
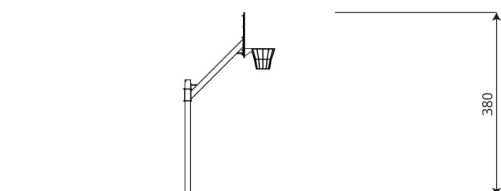
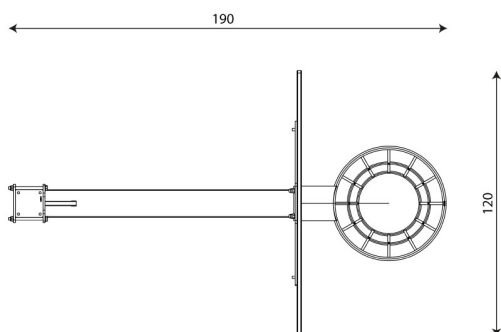
Data is subject to change without prior notice.

### Material specification

- Hot-dip galvanized steel structure with a 80 x 80 mm profile,
- Baskets made of hot-dip galvanized steel, boards made of HDPE,
- Calibrated stainless steel chains, preventing fingers entrapment,
- Stainless steel screws and/or screws covered with plastic caps,
- Safe end caps on top of the structure made of rubber or polypropylene,

### Additional information

- Generally available equipment for practicing many sports; equipment adapted for the disabled;
- equipment has a certificate issued by an accredited entity or a declaration of conformity;
- no sharp edges or chinks that would pose a danger of jimmieing the head, fingers or any other body parts;
- anchoring on flat surface, 80/100 cm deep;
- render is for reference only, the actual appearance of the equipment and its color may vary;



### Guarantee

**30** 30 year guarantee - Structural strength of steel and stainless steel components

**15** 15 year guarantee - Structural failure of steel and stainless steel, for dynamic equipment

**10** 10 year guarantee - Structural failure of high density polyethylene and high pressure laminates components

**5** 5 year guarantee - Corrosion of stainless steel and hot dip galvanized and powder coated components; against bark beetles and rot in case of wooden structural elements

Detailed information in the guarantee card

Vinci Group Sp. z o.o.  
Seminaryjna 9 Street  
99-400 Łowicz

VAT: 534-250-14-46  
PHONE: +48 42 203 24 99 ext. 26  
M: +48 793 404 991

biuro@vinci-play.com  
info@vinci-play.com  
[www.vinci-play.com](http://www.vinci-play.com)