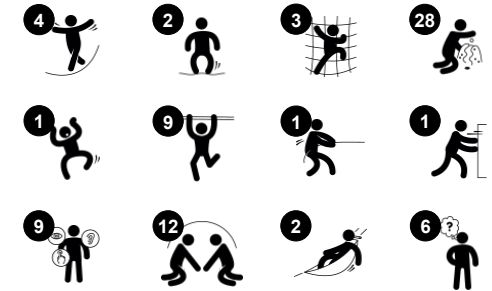


# Creator

PCE305021



Item no. PCE305021-0602	
General Product Information	
Dimensions LxWxH	829x632x173 cm
Age group	2+
Play capacity (users)	32
Colour options	<span style="color: red;">●</span> <span style="color: blue;">●</span> <span style="color: green;">●</span>



The Creator is the ultimately versatile unit for the youngest players. The varied activities make them return again and again. All activities support the fundamental development of physical, social-emotional, cognitive and creative skills. The bouncy and swaying rubber features are responsive, which toddlers love. In addition, it trains the understanding of cause-

and-effect and the turn-taking skills. The membrane bridge builds coordination and bone density when children jump. The net and monkey bars develop cross-coordination and upper body strength. The enticing play corner and panels at ground level add sensory play events, such as music and sound, and promotes agility as well as logical thinking

skills. Ground level transparent play events mean communication throughout and play for all abilities.

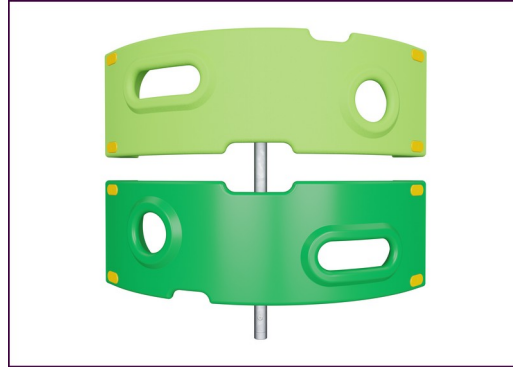


# Creator

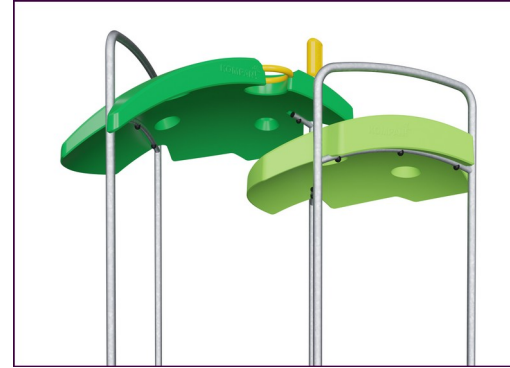
PCE305021



The Curved ELEMENTS panels are moulded of UV stabilised recyclable PE with multiple options for in-built play features that also ensures a strong panel solution. Straight panels are made of KOMPAN 19mm PE EcoCore™ which is a highly durable, ecofriendly and recyclable material.



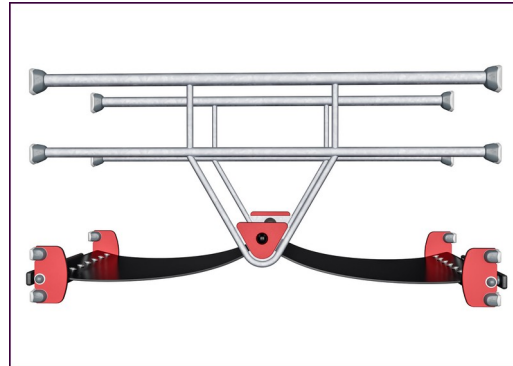
The climbing elements displayed are moulded in one piece with a minimum 5mm wall thickness. The climbing elements are made of recyclable PE which has a high impact resistance across a wide temperature span which ensures vandal resistance in all locations.



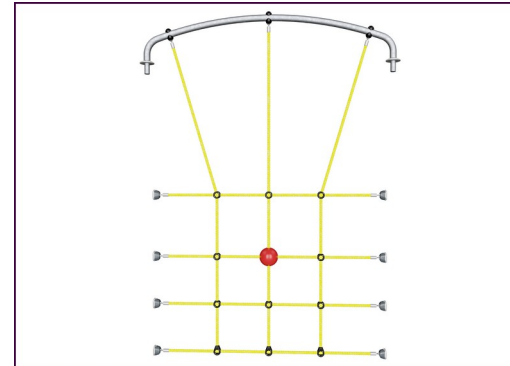
The ELEMENTS roofs are made of recyclable PE with a minimum wall thickness of 5 mm to ensure high durability in all climates around the world. The steel pipes are hot dip galvanised inside and outside for maximum durability.



The main posts are made of high quality pre-galvanized steel with powder coated top finish. Post tops are closed with caps of UV stabilized nylon (PA6). The grey colored molded decks are made of 75% post-consumer ocean waste PP material with a non-skid pattern and texture surface. All decks are supported by unique designed low-carbon aluminum profiles with multiple attachment options.



ELEMENTS rubber membranes are conveyor belt made of layers of rubber mixed of natural rubber and SBR rubber, and embedded with layers of armouring made of woven PE and PA. The thickness 8mm ensures high durability in any environment.



ELEMENTS ropes has six-stranded steel wires and a steel wire core. Each strand is tightly wrapped with PES yarn, which is melted onto each individual strand. After initial friction has removed the surface fibers, a harder PES coating remains to protect each strand, making the ropes highly wear- and vandalism-resistant.

Item no. PCE305021-0602

### Installation Information

Max. fall height	166 cm
Safety surfacing area	69.7 m <sup>2</sup>
Number of installers	2
Total installation time	28.0
Excavation volume	0.60 m <sup>3</sup>
Concrete volume	0.13 m <sup>3</sup>
Footing depth (standard)	60 cm
Shipment weight	836 kg
Anchoring options	Surface ✓ In-ground ✓

### Warranty Information

EcoCore HDPE	Lifetime
Post	10 years
Curved panels	10 years
Membrane	2 years
Spare parts guaranteed	10 years





Cradle to Gate A1-A3	Total CO <sub>2</sub> emission	CO <sub>2</sub> e/kg	Recycled materials
	kg CO <sub>2</sub> e	kg CO <sub>2</sub> e/kg	%
<b>PCE305021-0602</b>	1,944.20	3.03	40.30

The overall framework applied for these factors is the Environmental Product Declaration (EPD), which quantifies "environmental information on the life cycle of a product and enable comparisons between products fulfilling the same function" (ISO, 2006). This follows the structure and applies a Life-Cycle Assessment approach to the entire Product stage from raw material through manufacturing (A1-A3))

**Kompan A/S**  
 C.F. Tietgens Boulevard 32C  
 DK-5220 Odense SØ  
 Denmark



### Validation of CO<sub>2</sub> calculation of: Play systems



Data version no. 2021-01-11

The CO<sub>2</sub> calculation and data are in compliance with the principles of a carbon footprint impact according to the GHG protocol (Greenhouse Gas Protocol), Scope 3, cradle to gate related to all individual components in the product category: "Play systems" represented by item no.: PCM200309-0010. (Scope 3 emissions include emission sources in the upstream and downstream value chain).

**Date: 15. October 2021 | Valid until: 15. October 2023**

**Validated by:**

Bente Hviid, Senior Consultant

Peter Bendtsen, Senior Consultant

Validation based on report: Validation of CO<sub>2</sub> calculation of play systems – Kompan, version 1.0, prepared by: Bureau Veritas HSE, Denmark: Bente Hviid and Peter Bendtsen.

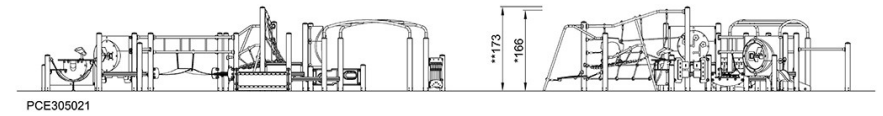
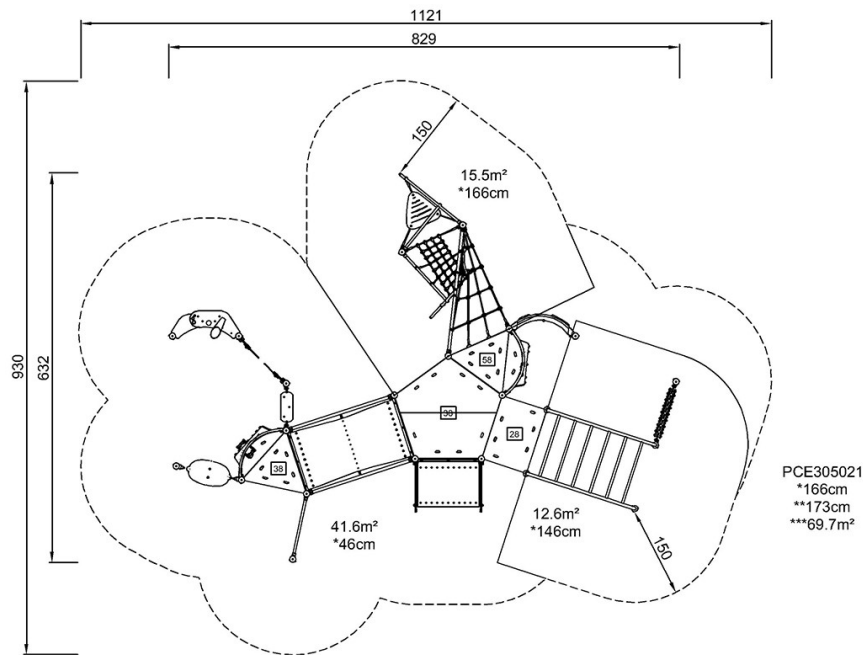
**Publication date: 15. October 2021**

**By Bureau Veritas HSE**  
 www.bureauveritas.dk  
 +45 7731 1000



\* Max fall height | \*\* Total height | \*\*\* Safety surfacing area

\* Max fall height | \*\* Total height



[Click to see TOP VIEW](#)

[Click to see SIDE VIEW](#)