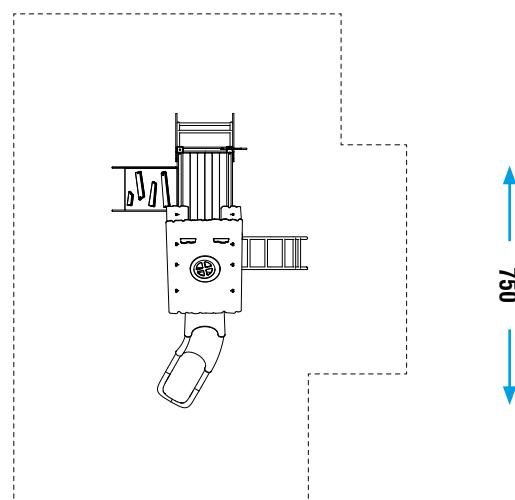


<b>CATALOG COLLECTION</b>	PARTY LINE
<b>DIMENSIONS (L x W x H) in cm</b>	450 x 300 x 330
<b>MAXIMUM CFH</b>	125
<b>IMPACT ATTENUATING SURFACE</b>	min. 40,00 m <sup>2</sup> - MAX 45,00 m <sup>2</sup>
<b>SUGGESTED AGE OF USE</b>	6 - 9
<b>COMPOSITION</b>	<ul style="list-style-type: none"> <li>- n°6 timber or aluminium poles 9x9cm</li> <li>- n°2 timber or aluminium decks</li> <li>- n°1 HDPE sheet roof</li> <li>- n°2 metal guardpanels</li> <li>- n°2 HDPE sheet guardpanel</li> <li>- n°1 metal climbing</li> <li>- n°1 HDPE sheet climbing</li> <li>- n°1 metal ladder</li> <li>- n°1 modular slide</li> </ul>

**SECURITY AREA**  
600



Make a proper security surface according to CFH. **Periodic maintenance is mandatory**, following manual supplied to customer.