

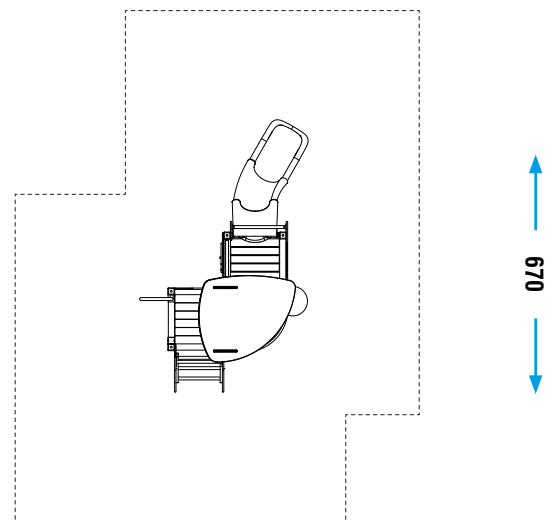


CATALOG COLLECTION	PARTY LINE
DIMENSIONS (L x W x H) in cm	370 x 230 x 275
MAXIMUM CFH	100
IMPACT ATTENUATING SURFACE	min. 34,75 m ² - MAX 38,50 m ²
SUGGESTED AGE OF USE	6 - 9

COMPOSITION
- n°7 timber or aluminium poles 9x9cm
- n°3 timber or aluminium decks
- n°1 HDPE sheet roof
- n°1 metal guardpanel
- n°3 HDPE sheet guardpanels
- n°1 metal climbing
- n°1 perch
- n°1 modular slide
- n°1 bench
- n°1 HDPE sheet playpanel

SECURITY AREA

← 530 →



Make a proper security surface according to CFH. **Periodic maintenance is mandatory**, following manual supplied to customer.