

Unitruck

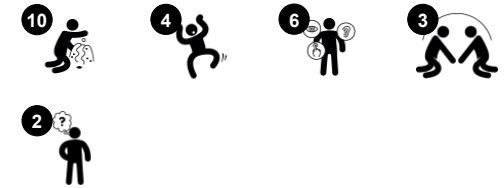
NRO560



Item no. NRO560-1021

General Product Information

Dimensions LxWxH	270x163x160 cm
Age group	2+
Play capacity (users)	7
Colour options	



The Unitruck holds an immense appeal for younger children. The recognizable theme spurs dramatic play for young as well as older children. The easily accessible Unitruck invites ground level play for children of all abilities. The richness of manipulative play supports dramatic play, which again builds communication, language and social skills.

This helps children express themselves and being understood by their surroundings. We know from KOMPAN Play Institute studies that manipulative play elements increase play retention. The gear shift, steering wheel and seating area with benches in the back add possibilities of group play, and a place for caregivers to be informally seated. Dramatic

play is the favorite play type for younger children. Well known themes are scientifically stated to support play of younger children and of children with a range of disabilities. The Unitruck is fully accessible for children with difficulties walking and moving.

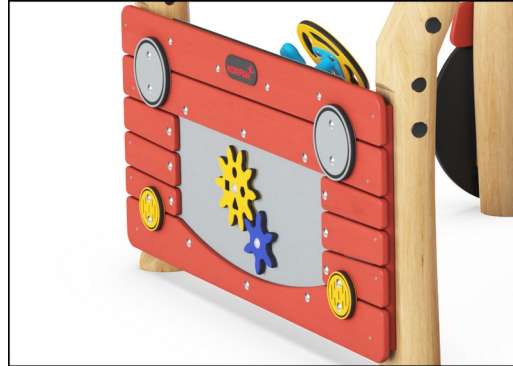


Unitruck

NRO560



All Organic Robinia products by KOMPAN are made of Robinia wood from sustainable European sources. On request it can be supplied as FSC® Certified (FSC® C004450).



The paint used for coloured components is water based environmental friendly with excellent UV resistance. The paint is in compliance with EN 71 Part 3.



The Robinia products are designed with a KOMPAN colour concept with a number of different standard colours. The wood can also be supplied as untreated or with brown painted with a pigment that maintains the wood colour.



There are Multiple footing options for all products: Surface anchoring with steel footings and expansion bolts. Wood in-ground or steel in-ground footings.



Panels of 19mm EcoCore™. EcoCore™ is a highly durable, eco friendly material, which is not only recyclable after use, but also consists of a core produced from 100% recycled post consumer material from food packing waste.



The Robinia wood can be supplied as untreated raw wood, painted with a brown coloured transparent pigment that maintains the golden wood colour or in a coloured version where selected components are painted in different colours.

Item no. NRO560-1021

Installation Information

Max. fall height	0 cm
Safety surfacing area	24.3 m ²
Total installation time	16.8
Excavation volume	0.83 m ³
Concrete volume	0.03 m ³
Footing depth (standard)	100 cm
Shipment weight	534 kg
Anchoring options	Surface ✓ In-ground ✓

Warranty Information

Robinia wood	15 years
Stainless steel components	Lifetime
Hot dip galvanised steel	Lifetime
EcoCore HDPE	Lifetime
Spare parts guaranteed	10 years





Cradle to Gate A1-A3	Total CO ₂ emission	CO ₂ e/kg	Recycled materials
	kg CO ₂ e	kg CO ₂ e/kg	%
NRO560-1021	305.70	0.72	10.20
NRO560-1001	304.30	0.72	10.20

The overall framework applied for these factors is the Environmental Product Declaration (EPD), which quantifies "environmental information on the life cycle of a product and enable comparisons between products fulfilling the same function" (ISO, 2006). This follows the structure and applies a Life-Cycle Assessment approach to the entire Product stage from raw material through manufacturing (A1-A3))

Kompan A/S
 C.F. Tietgens Boulevard 32C
 DK-5220 Odense SØ
 Denmark



Validation of CO₂ calculation of: Nature play



Data version no. 2021-09-27

The CO₂ calculation and data are in compliance with the principles of a carbon footprint impact according to the GHG protocol (Greenhouse Gas Protocol), Scope 3, cradle to gate related to all individual components in the product category: "Nature play" represented by item no.: NRO409-0621. (Scope 3 emissions include emission sources in the upstream and downstream value chain).

Date: 15. October 2021 | Valid until: 15. October 2023

Validated by:

Bente Hviid, Senior Consultant

Peter Bendtsen, Senior Consultant

Validation based on report: Validation of CO₂ calculation of 8 categories of Kompan product line, version 1.0, prepared by: Bureau Veritas HSE, Denmark: Bente Hviid and Peter Bendtsen.

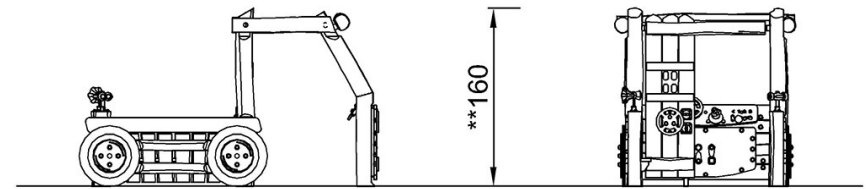
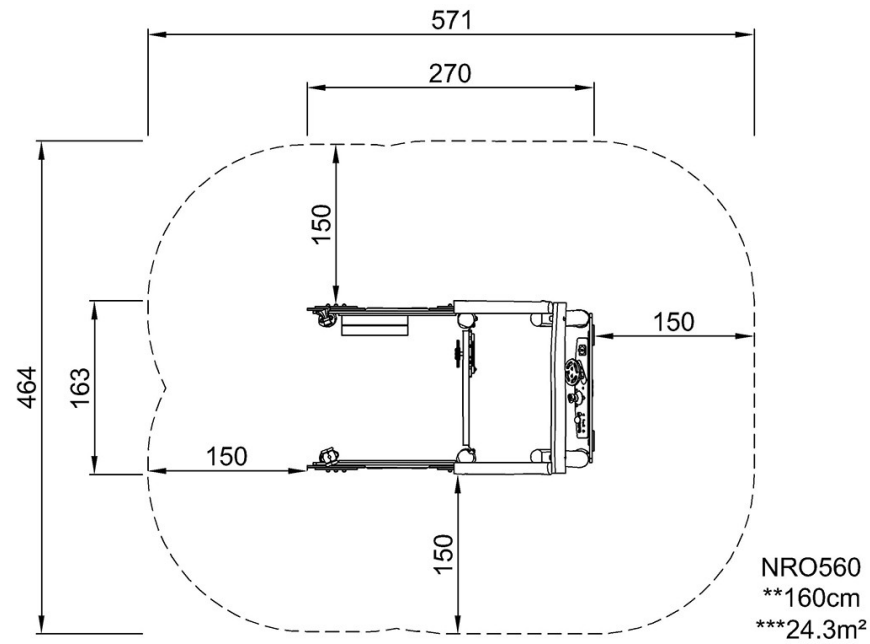
Publication date: 15. October 2021

By Bureau Veritas HSE
 www.bureauveritas.dk
 +45 7731 1000



* Max fall height | ** Total height | *** Safety surfacing area

* Max fall height | ** Total height



NRO560

[Click to see TOP VIEW](#)

[Click to see SIDE VIEW](#)