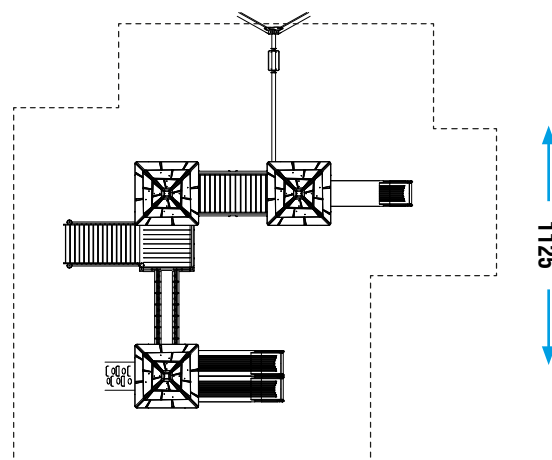


CATALOG COLLECTION	CLASSIC COLLECTION
DIMENSIONS (L x W x H) in cm	940 x 830 x 360
MAXIMUM CFH	145
IMPACT ATTENUATING SURFACE	min. 98,50 m ² - MAX 120,75 m ²
SUGGESTED AGE OF USE	3 - 12
COMPOSITION	<ul style="list-style-type: none"> - n°14 timber or aluminium poles 9x9cm - n°4 timber or aluminium decks - n°3 pyramid roofs in rotational mold PTE - n°3 metal guardpanels - n°4 rotating mold PTE guardpanels - n°1 rotating mold PTE climbing - n°1 timber or aluminium stairs - n°1 arch bridge - n°1 slope bridge - n°1 double slide with HDPE crossbar - n°1 single slide with HDPE crossbar - n°3 rotating mold PTE playpanel - n°1 swing

SECURITY AREA

1025



Make a proper security surface according to CFH. **Periodic maintenance is mandatory**, following manual supplied to customer.