

PRODUCT SHEET

REV 2.0 - EN201812

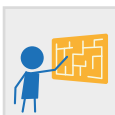
6013 LITTLE CASTLE



SLIDING



INTERACTIVE GAME



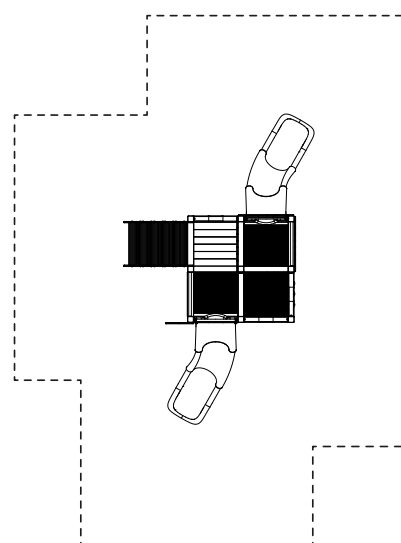
MEETING & ROLE PLAY



CATALOG COLLECTION	FUN COLLECTION
DIMENSIONS (L x W x H) in cm	290 x 470 x 260
MAXIMUM CFH	95
IMPACT ATTENUATING SURFACE	min. 40,25 m ² - MAX 48,00 m ²
SUGGESTED AGE OF USE	4 - 5
COMPOSITION	<ul style="list-style-type: none"> - n°9 timber or aluminium poles 9x9cm - n°4 timber or aluminium decks - n°2 metal guardpanels - n°3 rotating mold PTE guardpanels - n°1 timber or aluminium closed stairs - n°2 modular slides - n°1 metal playpanel

SECURITY AREA

575



765

Make a proper security surface according to CFH. **Periodic maintenance is mandatory**, following manual supplied to customer.