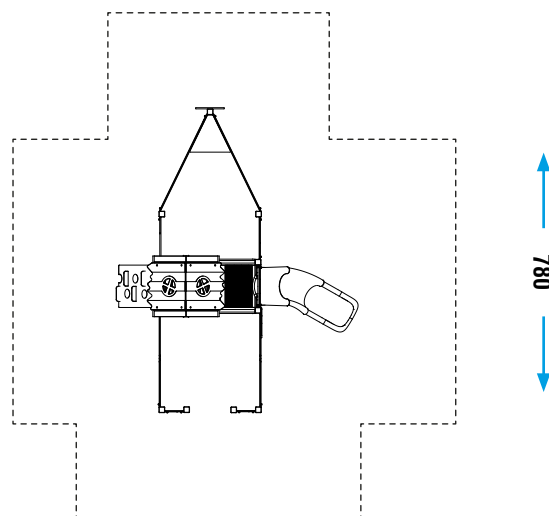


CATALOG COLLECTION	FUN COLLECTION
DIMENSIONS (L x W x H) in cm	380 x 480 x 280
MAXIMUM CFH	100
IMPACT ATTENUATING SURFACE	min. 46,25 m ² - MAX 56,00 m ²
SUGGESTED AGE OF USE	3 - 9

- COMPOSITION**
- n°13 timber or aluminium poles 9x9cm
 - n°2 timber or aluminium decks
 - n°1 gable roof
 - n°3 metal guardpanels
 - n°10 HDPE sheet guardpanels
 - n°1 rotating mold PTE climb
 - n°1 modular slide
 - n°1 metal playpanel

SECURITY AREA

680



Make a proper security surface according to CFH. **Periodic maintenance is mandatory**, following manual supplied to customer.