



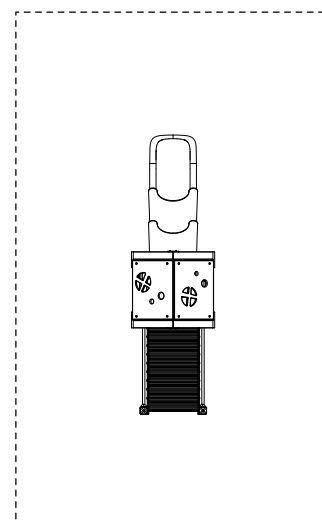
SLIDING



CATALOG COLLECTION	FUN COLLECTION
DIMENSIONS (L x W x H) in cm	105 x 350 x 290
MAXIMUM CFH	100
IMPACT ATTENUATING SURFACE	min. 26,00 m ² - MAX 26,00 m ²
SUGGESTED AGE OF USE	3 - 6
COMPOSITION	<ul style="list-style-type: none"> - n°4 timber or aluminium poles 9x9cm - n°1 timber or aluminium deck - n°1 gable roof - n°2 HDPE sheet guardpanels - n°1 timber or aluminium stairs - n°1 modular slide - n°1 HDPE sheet crossbar

SECURITY AREA

← 405 →



↑ 650 ↓

Make a proper security surface according to CFH. **Periodic maintenance is mandatory**, following manual supplied to customer.