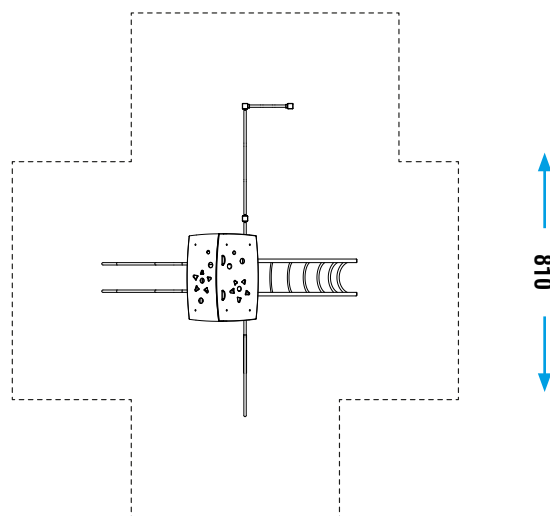


<b>CATALOG COLLECTION</b>	FUN COLLECTION
<b>DIMENSIONS (L x W x H) in cm</b>	350 x 510 x 340
<b>MAXIMUM CFH</b>	150
<b>IMPACT ATTENUATING SURFACE</b>	min. 48,25 m <sup>2</sup> - MAX 63,75 m <sup>2</sup>
<b>SUGGESTED AGE OF USE</b>	6 - 12
<b>COMPOSITION</b>	<ul style="list-style-type: none"> <li>- n°4 timber or aluminium poles 9x9cm</li> <li>- n°1 timber or aluminium deck</li> <li>- n°1 gable roof</li> <li>- n°4 metal guardpanels</li> <li>- n°1 metal tubular slide</li> <li>- n°1 metal arch climb</li> <li>- n°1 HDPE sheet and metal climbing</li> <li>- n°2 metal ladders</li> <li>- n°1 net climbing</li> </ul>

**SECURITY AREA**  
650



Make a proper security surface according to CFH. **Periodic maintenance is mandatory**, following manual supplied to customer.