



SLIDING



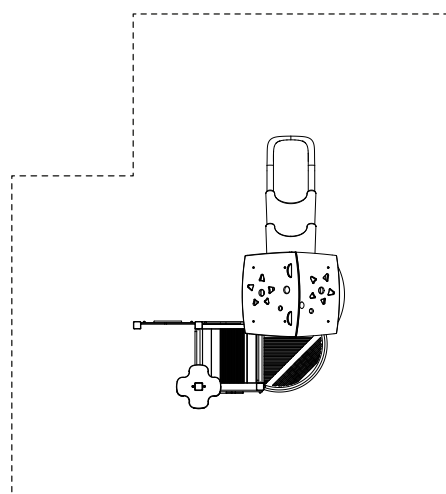
INTERACTIVE GAME



CATALOG COLLECTION	FUN COLLECTION
DIMENSIONS (L x W x H) in cm	260 x 340 x 305
MAXIMUM CFH	85
IMPACT ATTENUATING SURFACE	min. 30,00 m ² - MAX 33,00 m ²
SUGGESTED AGE OF USE	3 - 9
COMPOSITION	<ul style="list-style-type: none"> - n°8 timber or aluminium poles 9x9cm - n°3 timber or aluminium decks - n°1 gable roof - n°6 metal guardpanels - n°1 HDPE sheet guardpanel - n°1 modular slide - n°2 HDPE sheet playpanels - n°1 metal playpanel - n°1 HDPE sheet bench

SECURITY AREA

550



615

Make a proper security surface according to CFH. **Periodic maintenance is mandatory**, following manual supplied to customer.