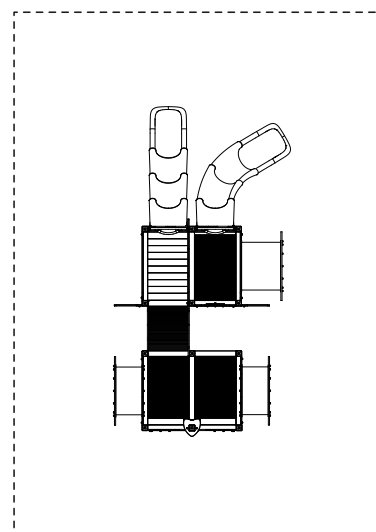


CATALOG COLLECTION	FUN COLLECTION
DIMENSIONS (L x W x H) in cm	535 x 285 x 305
MAXIMUM CFH	125
IMPACT ATTENUATING SURFACE	min. 51,00 m ² - MAX 51,00 m ²
SUGGESTED AGE OF USE	3 - 12
COMPOSITION	<ul style="list-style-type: none"> - n°12 timber or aluminium poles 9x9cm - n°4 timber or aluminium decks - n°9 HDPE sheet guardpanels - n°1 timber or aluminium closed stairs - n°2 modular slides - n°1 metal playpanel - n°3 tunnels

SECURITY AREA

← 585 →



↑ 835 ↓

Make a proper security surface according to CFH. **Periodic maintenance is mandatory**, following manual supplied to customer.