

Organizzazione certificata Q.C.B. Italia ISO 9001:2015

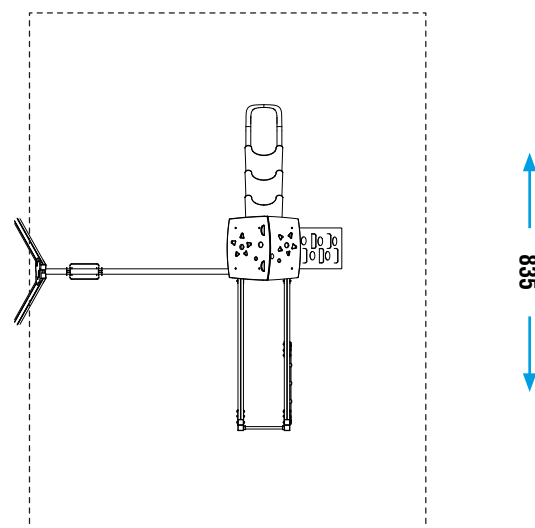
ORGANIZATION WITH ENVIRONMENTAL MANAGEMENT SYSTEM
ISO 14001:2015 CERTIFIED by
EuCI European Certification Institute LTD
Certificate No: GOTT2532E1801



CATALOG COLLECTION	FUN COLLECTION
DIMENSIONS (L x W x H) in cm	535 x 535 x 335
MAXIMUM CFH	150
IMPACT ATTENUATING SURFACE	min. 55,25 m ² - MAX 55,25 m ²
SUGGESTED AGE OF USE	4 - 12
COMPOSITION	<ul style="list-style-type: none"> - n°6 timber or aluminium poles 9x9cm - n°1 timber or aluminium deck - n°1 gable roof - n°2 metal guardpanels - n°1 modular slide - n°1 HDPE sheet playpanel - n°1 rotating mold PTE climber - n°2 metal ladders - n°1 rope net climber - n°1 perch - n°1 swing attachment

SECURITY AREA

835



Make a proper security surface according to CFH. **Periodic maintenance is mandatory**, following manual supplied to customer.