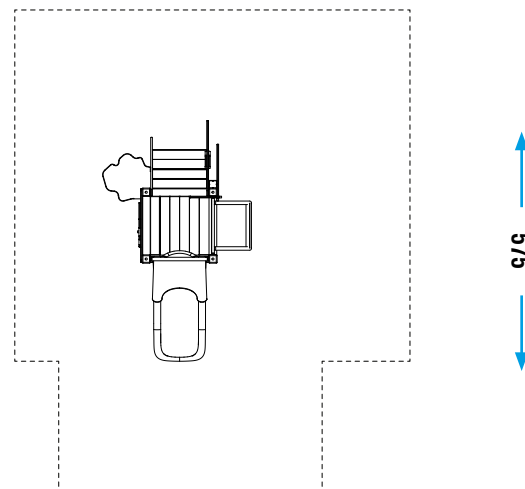


CATALOG COLLECTION	PARTY LINE
DIMENSIONS (L x W x H) in cm	170 x 275 x 225
MAXIMUM CFH	60
IMPACT ATTENUATING SURFACE	min. 22,50 m ² - MAX 24,75 m ²
SUGGESTED AGE OF USE	6 - 9
COMPOSITION	<ul style="list-style-type: none"> - n°4 timber or aluminium poles 9x9cm - n°1 timber or aluminium deck - n°1 HDPE sheet guardpanel - n°1 timber or aluminium stairs - n°1 modular slide - n°1 metal ladder - n°1 bench - n°2 HDPE sheet playpanels

SECURITY AREA

470



Make a proper security surface according to CFH. **Periodic maintenance is mandatory**, following manual supplied to customer.