



SLIDING



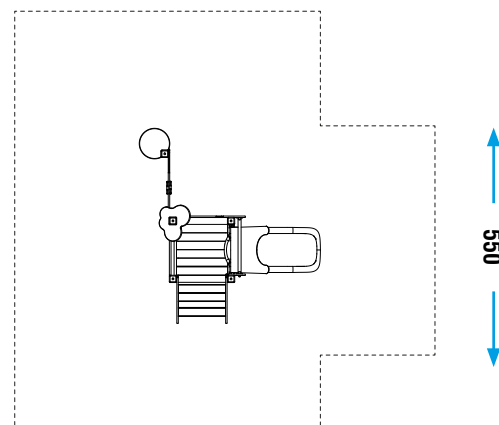
INTERACTIVE GAME



CATALOG COLLECTION	PARTY LINE
DIMENSIONS (L x W x H) in cm	250 x 240 x 200
MAXIMUM CFH	60
IMPACT ATTENUATING SURFACE	min. 26,50 m ² - MAX 30,25 m ²
SUGGESTED AGE OF USE	2 - 5
COMPOSITION	<ul style="list-style-type: none"> - n°5 timber or aluminium poles 9x9cm - n°1 timber or aluminium deck - n°1 metal guardpanel - n°1 HDPE sheet guardpanel - n°1 timber or aluminium stairs - n°1 modular slide - n°1 HDPE sheet playpanel - n°1 bench

SECURITY AREA

540



Make a proper security surface according to CFH. **Periodic maintenance is mandatory**, following manual supplied to customer.