



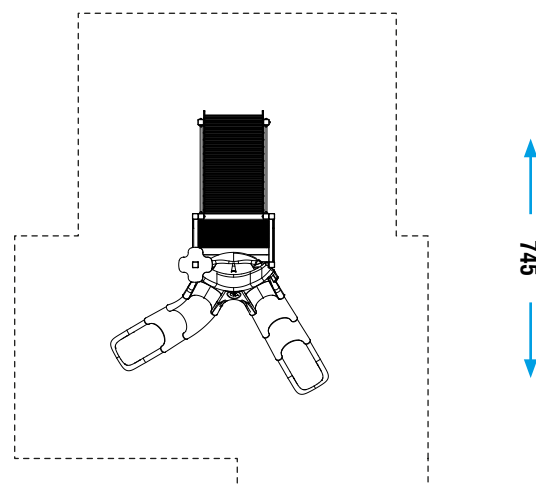
SLIDING



<b>CATALOG COLLECTION</b>	PLAYGROUND ESSENTIALS
<b>DIMENSIONS (L x W x H) in cm</b>	445 x 340 x 300
<b>MAXIMUM CFH</b>	125
<b>IMPACT ATTENUATING SURFACE</b>	min. 41,75 m <sup>2</sup> - MAX 48,75 m <sup>2</sup>
<b>SUGGESTED AGE OF USE</b>	3 - 12
<b>COMPOSITION</b>	<ul style="list-style-type: none"> <li>- n°4 aluminium poles</li> <li>- n°1 aluminium deck</li> <li>- n°2 HDPE sheet guardpanels</li> <li>- n°1 aluminium stairs</li> <li>- n°1 double slide</li> </ul>

SECURITY AREA

← 625 →



Make a proper security surface according to CFH. **Periodic maintenance is mandatory**, following manual supplied to customer.