

## PRODUCT SHEET

### art. 909 ALTALENA

#### SWINGING



■ CATALOG COLLECTION PLAYGROUND ESSENTIALS

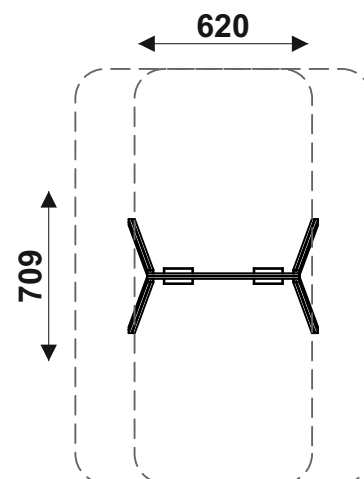
■ PRODUCT CODE AND NAME 909 ALTALENA

■ DIMENSIONS L.320cm - W. 175cm - H 240cm

■ SUGGESTED AGE OF USE 3-12 years

■ COMPOSITION Double swing built up with 90x90mm aluminium alloy 2,5mm thick profiles with top pyramidal polyurethane caps support poles and 180x90mm box-type powder coated steel sheet support beam, equipped with n°2 shock absorber rubber seats with inner metal structure held by security galvanized chains. Lubrication free suspension and articulation joint system. Upper decorations with engraved 19mm HDPE sheet.  
Available with plane or cradle seats.

■ SECURITY AREA:



IMPACT ATTENUATING SURFACE:

**MAX. 42,00 m<sup>2</sup>**  
**MIN. 21,00 m<sup>2</sup>**

MAXIMUM CFH:  
**135cm**

- Make a proper security surface according to CFH.
- Periodic maintenance is mandatory, following manual supplied to customer.