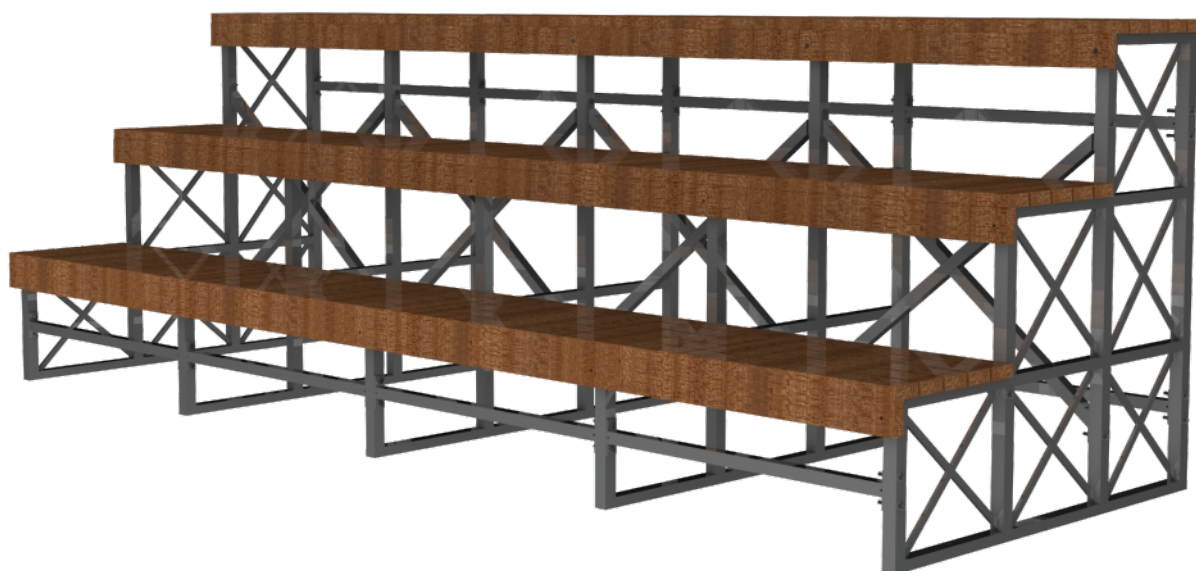


# Mobile Stand

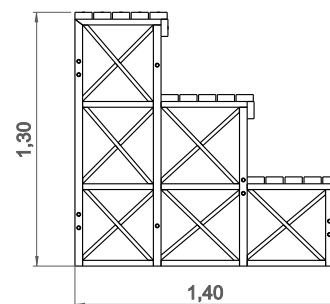
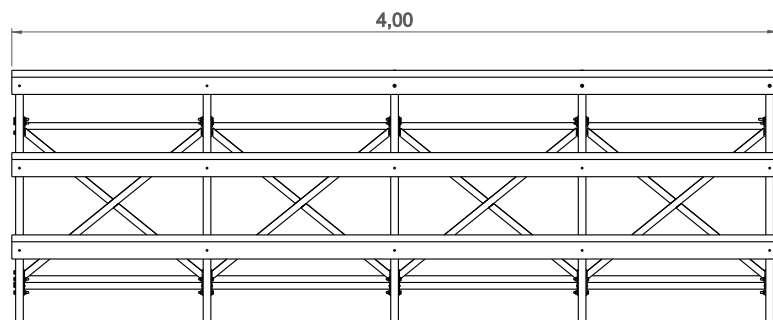
ref. AB0043



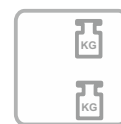
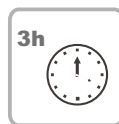
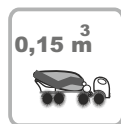
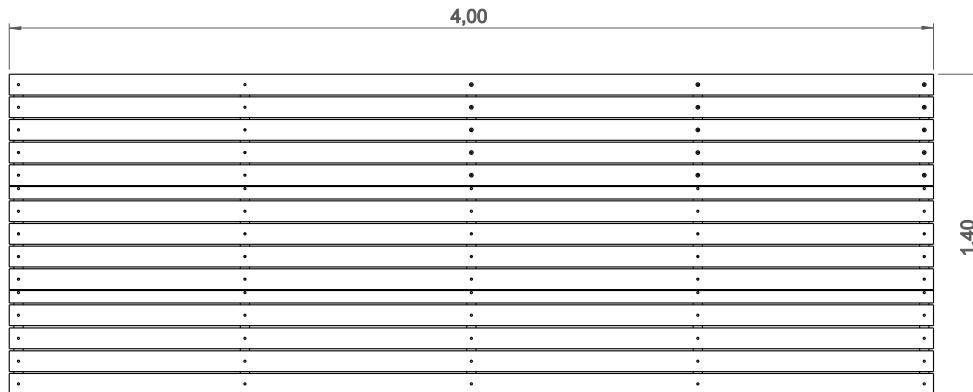
www.bragmaia.com



Technical Datasheet

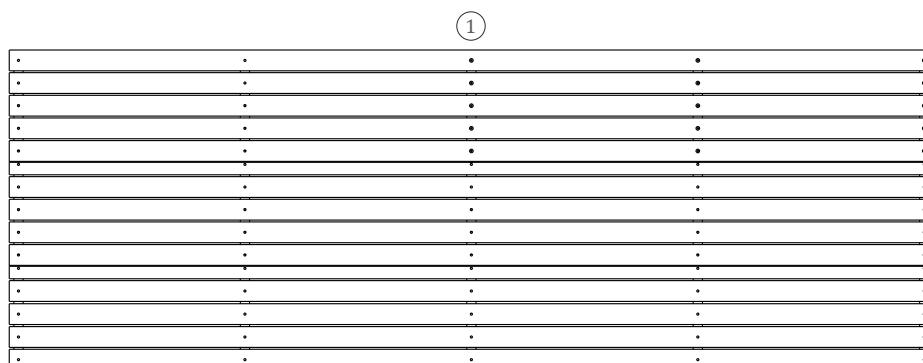


# Equipment Information:



# Technical Information:

1 - Stand w/ 3 levels (24 seats)



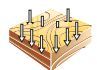



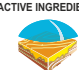
# Technical Characteristics:



## Seat

**Wood:** Laminated pinewood classified with guarantee of quality by continuous internal control. With autoclave treatment, protecting it from attacks of fungus, insects and termites. Finishing on aqueous base ink, specially developed to protect the wood from humidity, weather and U.V.

 **PROTECT DECORATES:**

 <small>Penetrates into the wood grain highlighting and beautifying the wood with its transparent special colors</small>	 <small>Very resistant to sun. Contains micronized absorbing pigments and U.V. stabilizers</small>	 <small>Microporous, lets the wood breathe and prevents the natural deformation of wood</small>	 <small>Easy maintenance. No sanding or stripping is necessary for the application of the new layers</small>	 <small>ACTIVE INGREDIENTS Giving a protective barrier against fungus and mold</small>	 <small>HYDROFUGE Protects against moisture, rain and waterproofs</small>
--	--	---	---	--	---

## Metal Parts

### Structure

**Iron:** Anticorrosive treatment of hot dip galvanizing in accordance with EN ISO 1461;

### Fixation System:

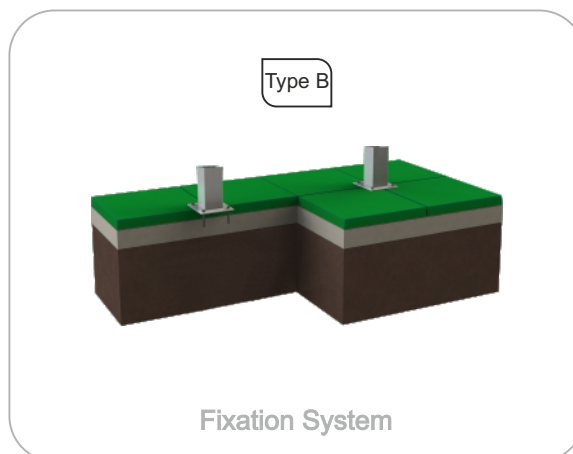
**Type B - Standard fixation system** composed by steel base screwed to the ground with steel anchors;

### Screws and accessories

**Screws:** Galvanized steel or optionally stainless steel AISI 304;



100% recyclable;



Fixation System