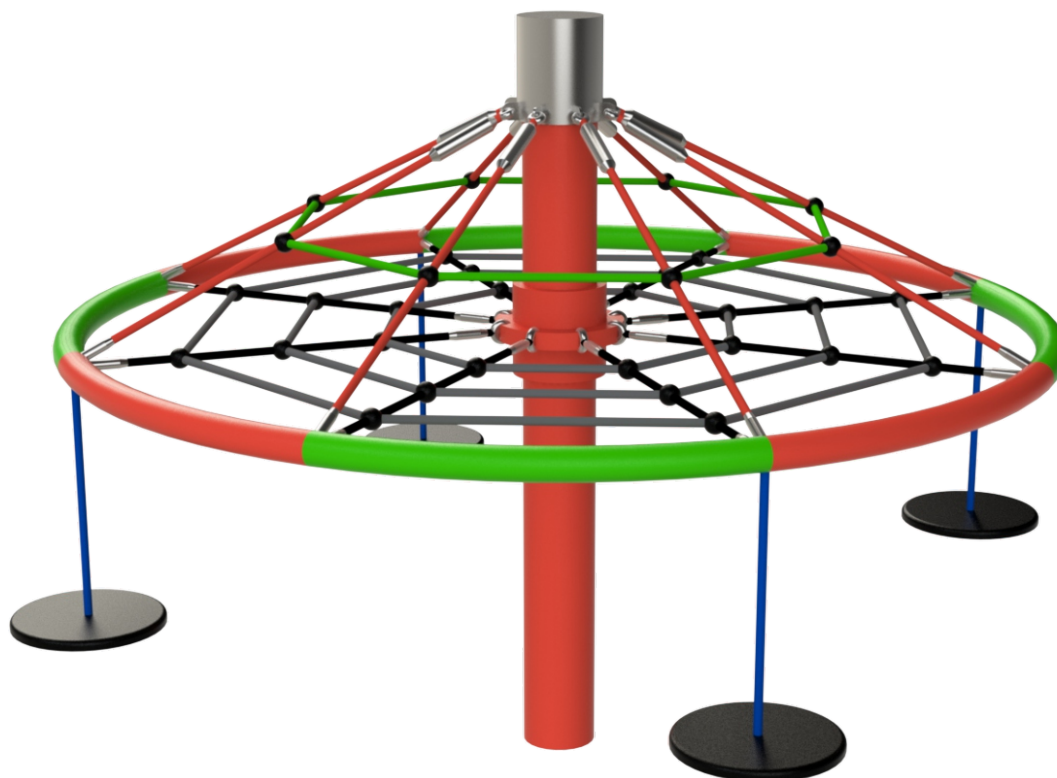
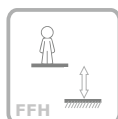


Torre Giratória

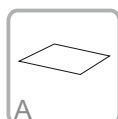
ref. B0100108



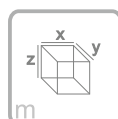
+2 YEARS



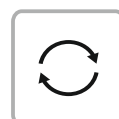
1.50 m



20 m²

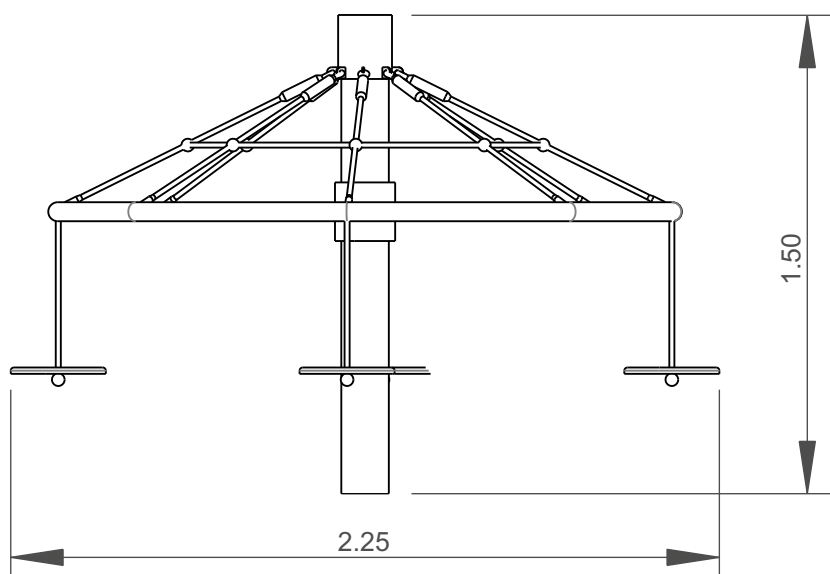


**xy=ø2.00
z=1.50**



360°

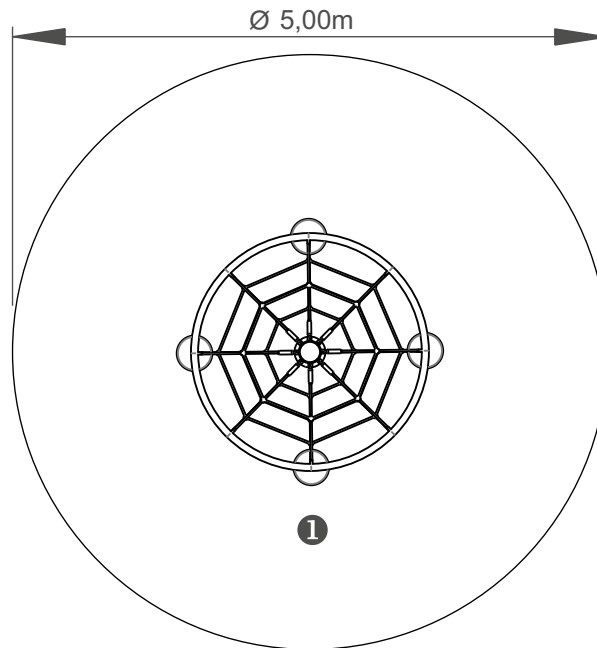
Data Sheet



Equipment Information:



bragmaia®



— Impact area
 - - Free space

EN 1176-1

.....	①
1.50	
m²	20
	20

0,08m³

8h

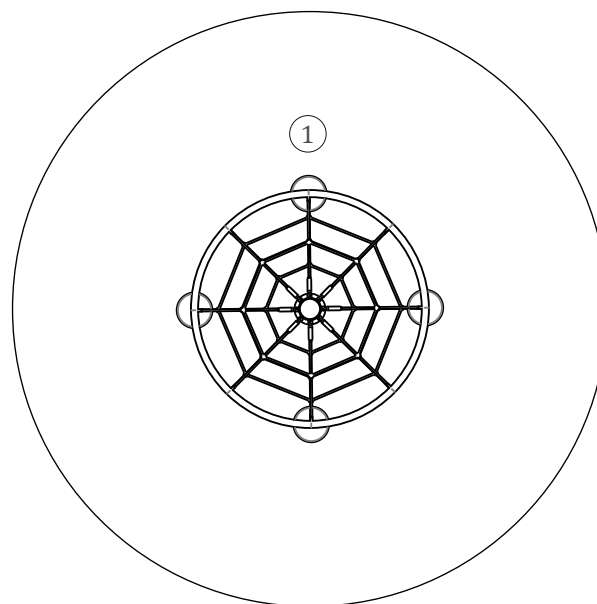
2x

KG

KG

Technical Information:

1 - Spinning Tower 1.50m



Technical Characteristics:



bragmaia[®]

Net: Ø16mm steel ropes coated in reinforced polypropylene fibers, connection accessories in HDPE with U.V. protection, fixing elements in galvanized hot steel;

Metal parts

Vertical Post: Stainless Steel AISI 304;

Fixation System:

Type C - Standard fixation system composed by posts applied directly in the ground with concrete;

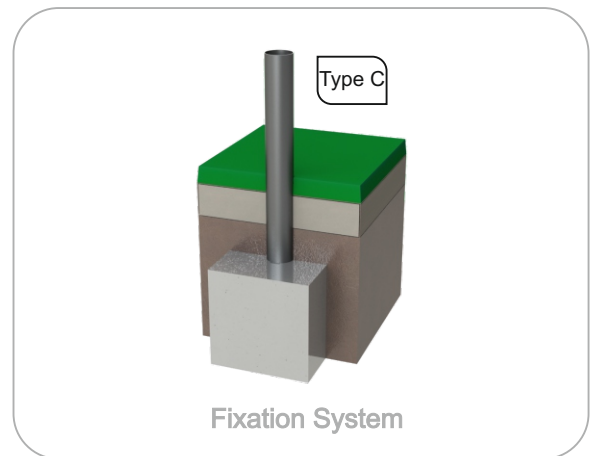
Screws and accessories

Screws: Galvanized steel or optionally stainless steel AISI 304;

Capsules: PP Polypropylene plastic;



100% recyclable;



Playful Activities:



Amuse: While they have fun, children acquire several capacities, since physical abilities to social interactions.



Socialize: The socialization and imagination are necessary in all games. All of it creates a relation between children and arouses the sense of coexistence and solidarity.



Play: Develops both patience, sharing and sportsmanship.



Climbing: A movement to develop children motor skills, body control, balance and coordination, which stimulates the motor capacity an own body security.