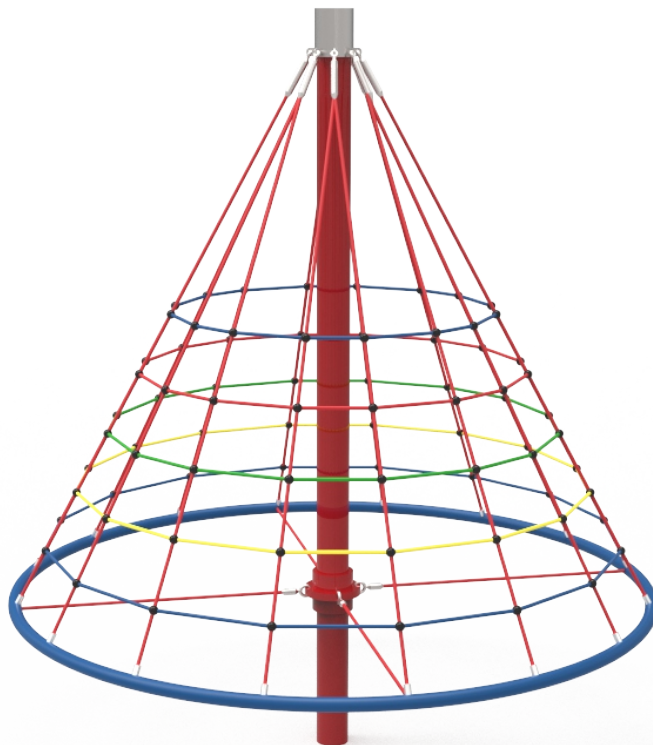
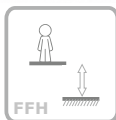


# Cone Giratório

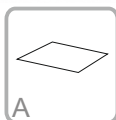
ref. B0101300



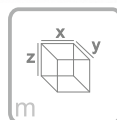
**+2 YEARS**



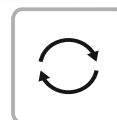
**1.70 m**



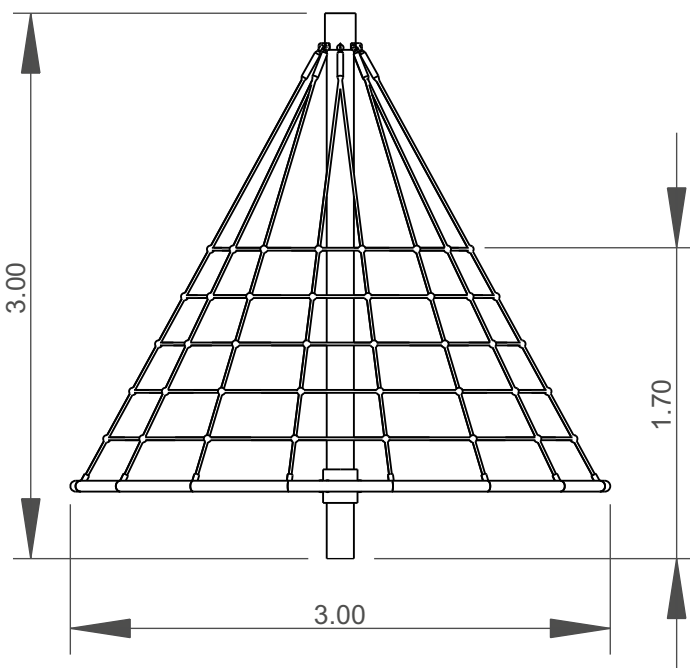
**30 m<sup>2</sup>**



**xy=ø3.00  
z=3.00**



**360°**

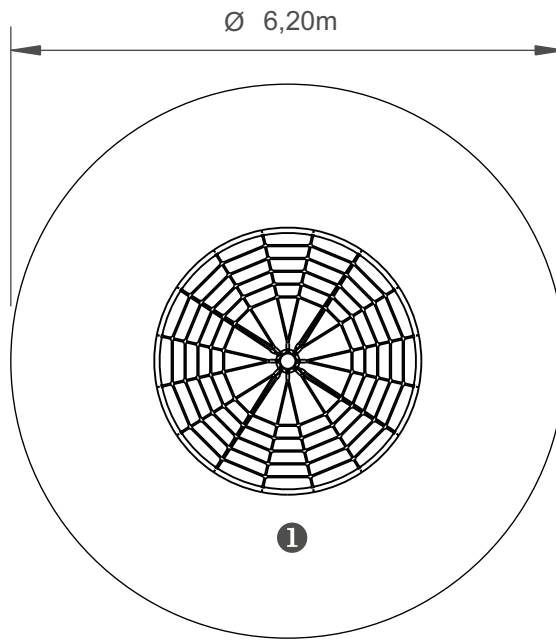


Data Sheet

# Equipment Information:



bragmaia®



— Impact area  
 - - Free space

EN 1176-1

.....	1
	1.70
	30
	30

0,08m<sup>3</sup>

8h

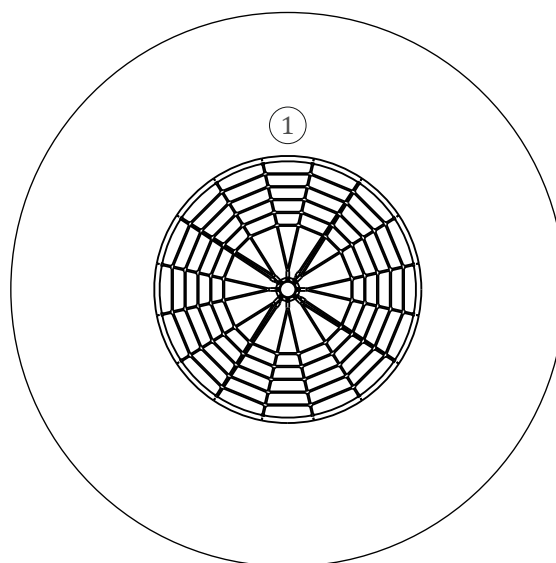
2x

KG

KG

# Technical Information:

1 - Spinning Cone 1.70m



# Technical Characteristics:



**bragmaia**®

**Net:** Ø16mm steel ropes coated in reinforced polypropylene fibers, connection accessories in HDPE with U.V. protection, fixing elements in galvanized hot steel;

## **Metal parts**

**Vertical Post:** Stainless Steel AISI 304;

## **Fixation System:**

**Type C** - Standard fixation system composed by posts applied directly in the ground with concrete;

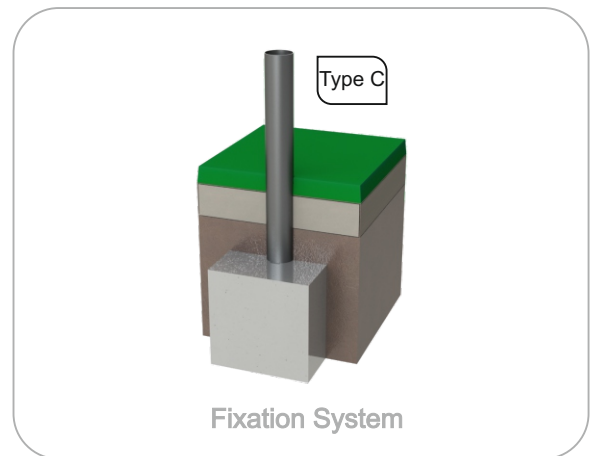
## **Screws and accessories**

**Screws:** Galvanized steel or optionally stainless steel AISI 304;

**Capsules:** PP Polypropylene plastic;



100% recyclable;



# Playful Activities:



**Amuse:** While they have fun, children acquire several capacities, since physical abilities to social interactions.



**Socialize:** The socialization and imagination are necessary in all games. All of it creates a relation between children and arouses the sense of coexistence and solidarity.



**Play:** Develops both patience, sharing and sportsmanship.



**Climbing:** A movement to develop children motor skills, body control, balance and coordination, which stimulates the motor capacity an own body security.