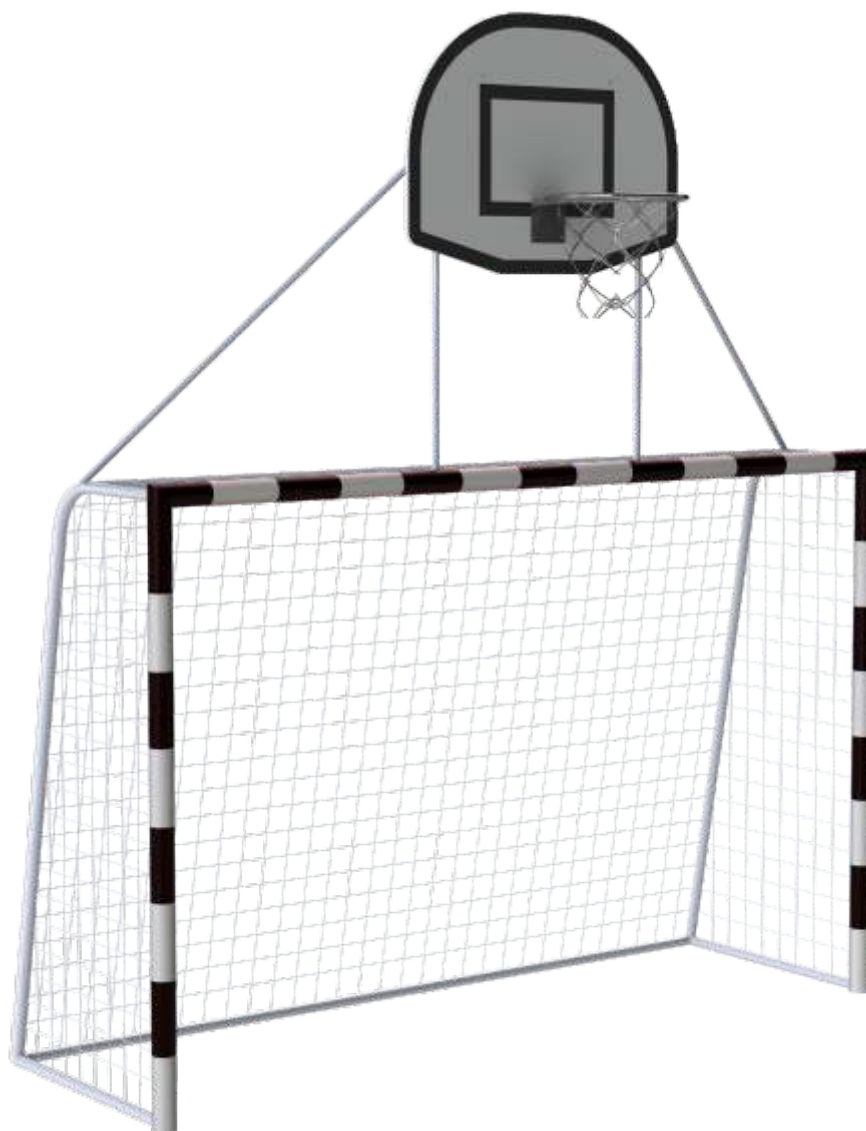


Goal with Basketball Hoop

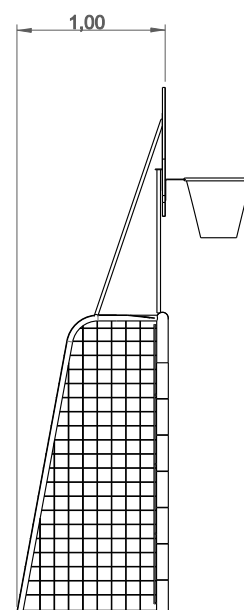
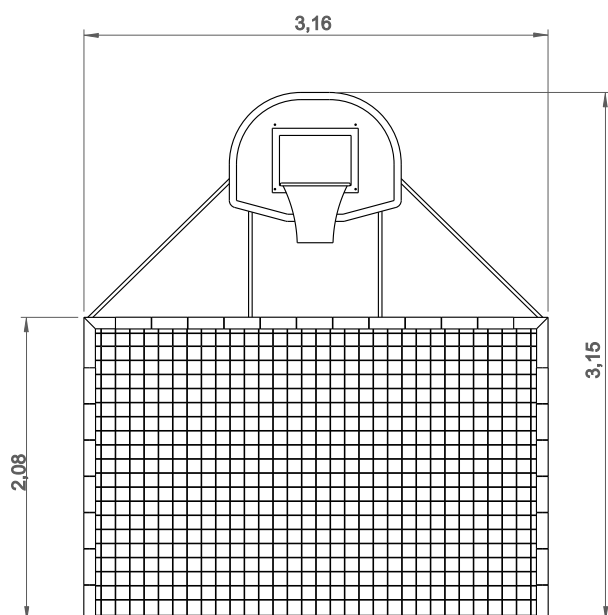
ref. B3002/1



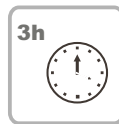
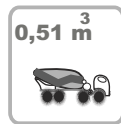
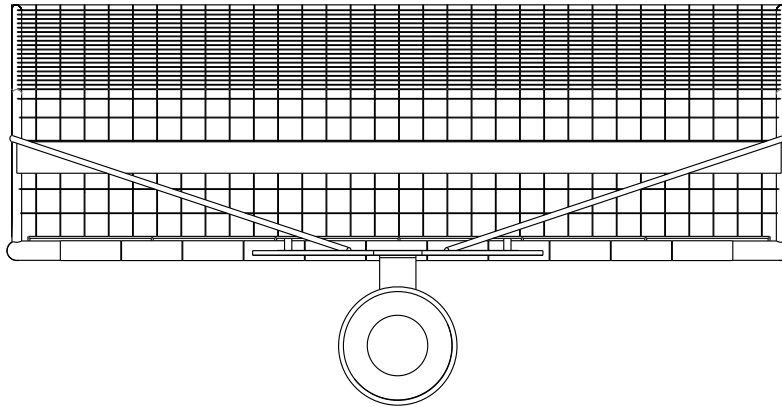
www.bragmaia.com



Data Sheet

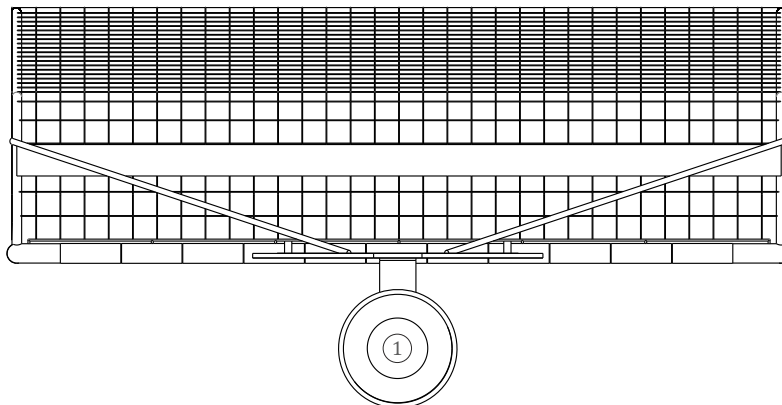


Equipment Information:



Technical Information:

1 - Futsal / Handball Goal with
Basketball Hoop



Technical Characteristics:



Basketball Hoop

HDPE: Monocolour/bicolour high density polyethylene. It is a polymer so it is characterized by its resistance to corrosion and chemical products. By its capacity of elasticity and lightweight, it offers high resistance to impacts, and, therefore, very difficult to break. The synthetic base prevents grow of bacterias and fungus. No need for maintenance;

Net: High density Nylon mesh;

Metal Parts

Structure

Iron: Electrozinc and gel type lacquer at 230 ° C with thickness ranging from 50 to 70µm, according to the UNE EN ISO 2808;

Fixation System:

Type A - Standard fixation system composed by steel base embedded in the ground with concrete;

Screws and accessories

Screws: Galvanized steel or optionally stainless steel AISI 304;



100% recyclable;

