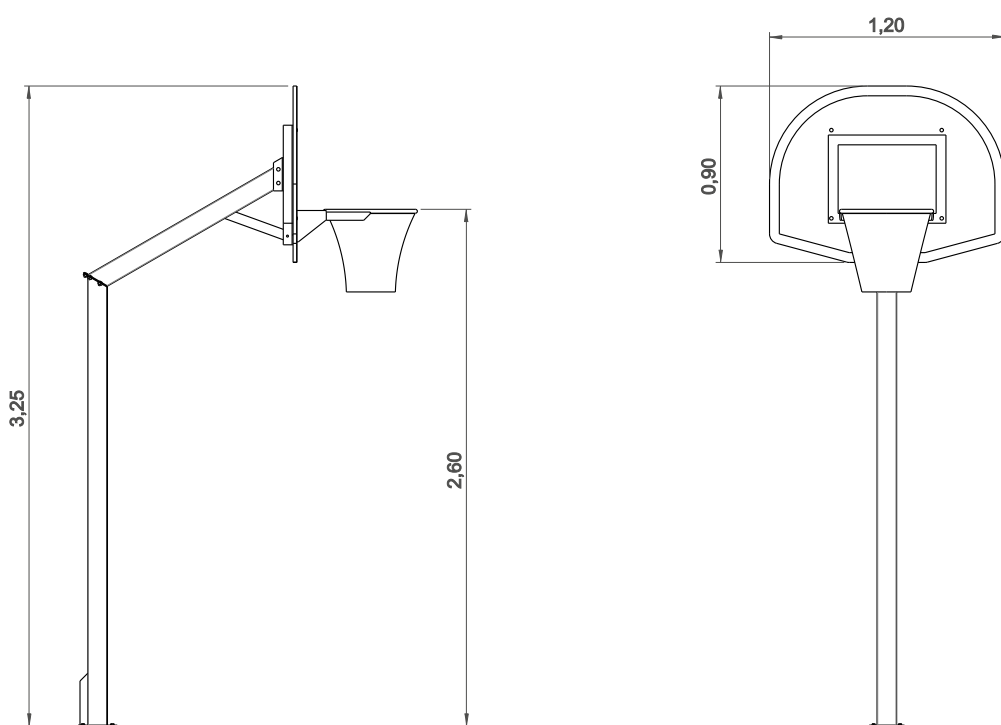


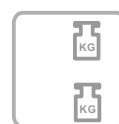
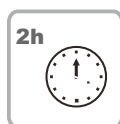
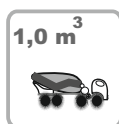
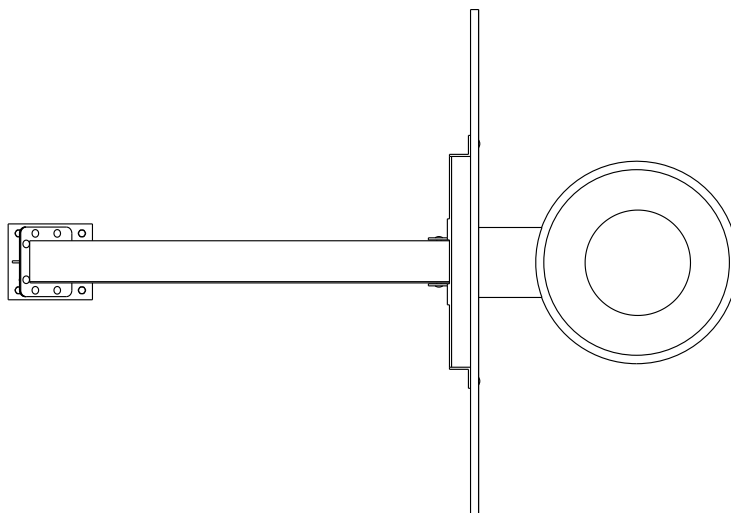
Mini Basketball Hoop (round)

ref. BG08159



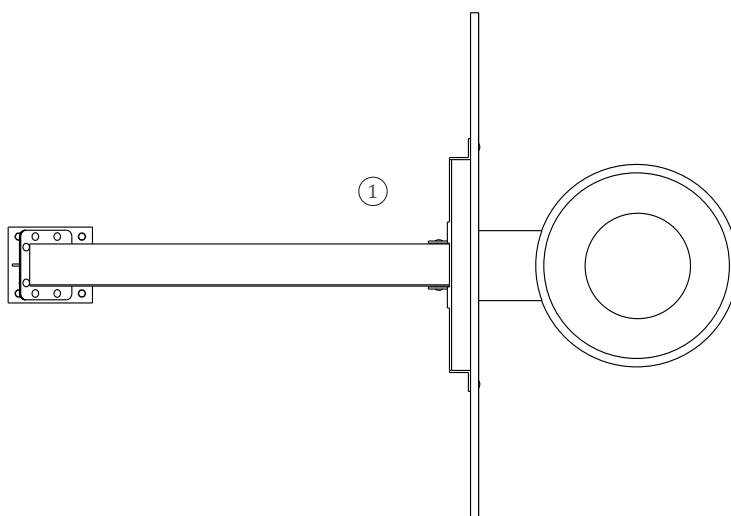
Data Sheet

Equipment Information:



Technical Information:

1 - Mini Basketball Hoop (round)
forward 900mm



Technical Characteristics:



bragmaia®

Basketball Hoop

HDPE: Monocolour/bicolour high density polyethylene. It is a polymer so it is characterized by its resistance to corrosion and chemical products. By its capacity of elasticity and lightweight, it offers high resistance to impacts, and, therefore, very difficult to break. The synthetic base prevents growth of bacteria and fungus. No need for maintenance;

Net: High density Nylon mesh;

Metal Parts

Structure: galvanized steel according to EN 10025-2, class S235JR / S275JO.
Anti corrosion hot dip galvanization treatment according to EN ISO 1461.

Fixation System:

Type B - Standard fixation system composed by steel base screwed to the ground with steel anchors;

Screws and accessories

Screws: Galvanized steel or optionally stainless steel AISI 304;

Option: Steel electrozinc and gel type lacquer at 230 ° C with thickness ranging from 50 to 70µm, according to the UNE EN ISO 2808;



100% recyclable

